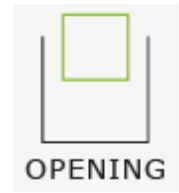


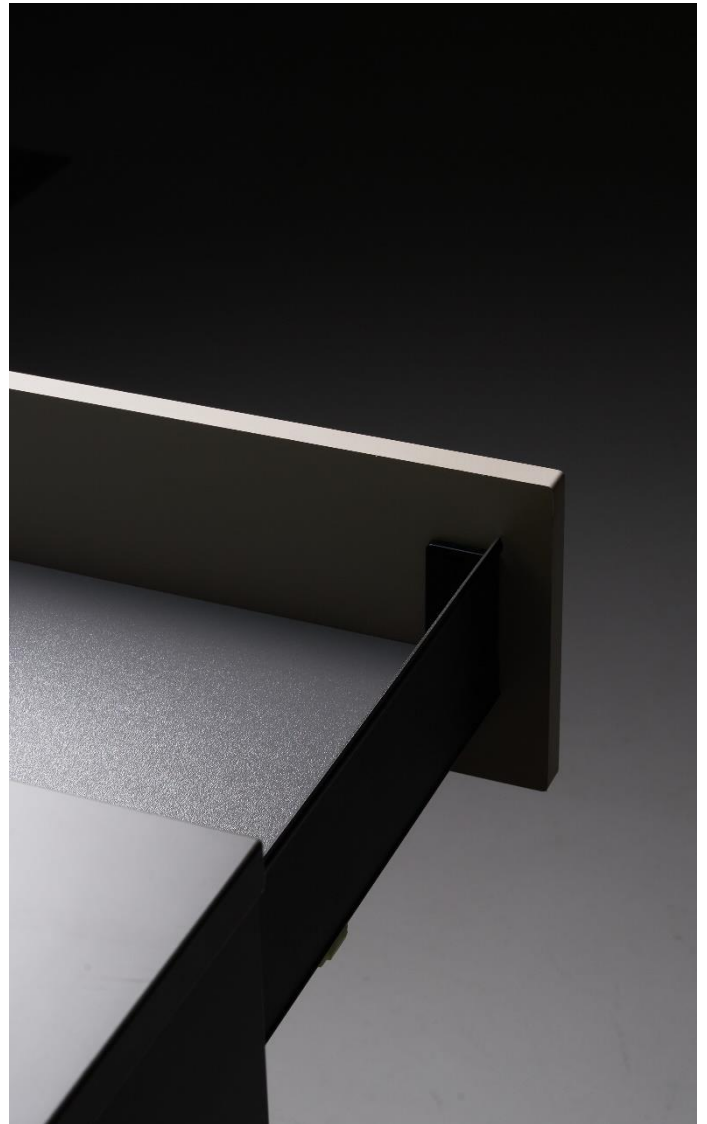
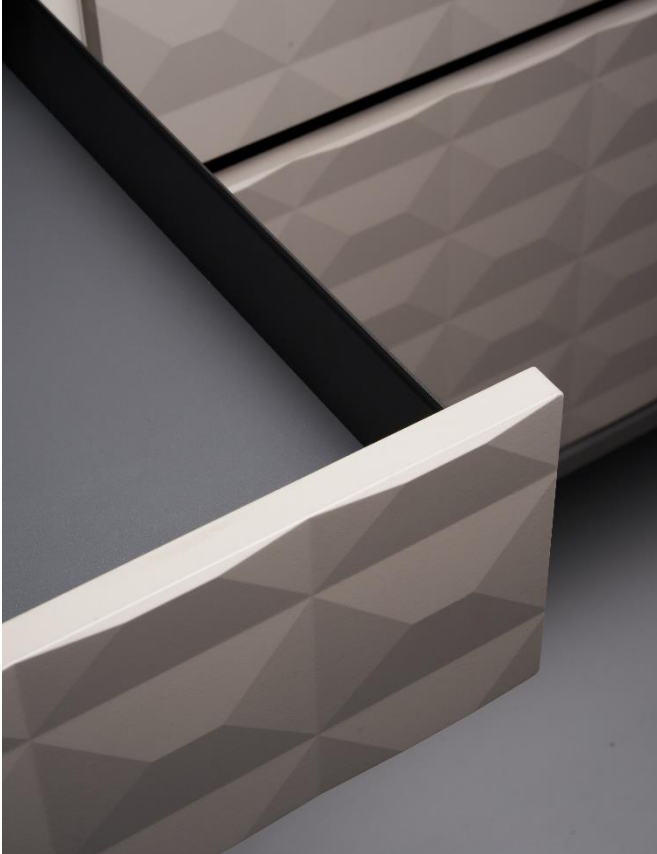
Rigo Drawer



Reasons to choose **Rigo Drawer**

FEATURES:

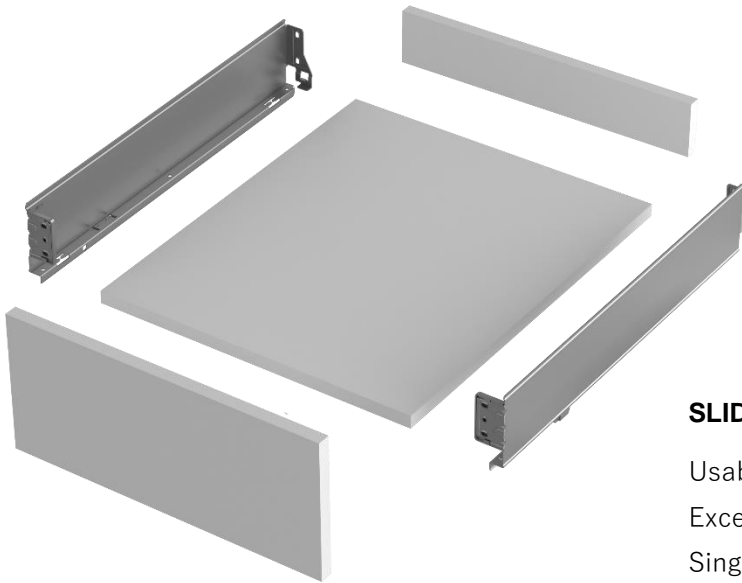
Elegant single wall steel drawer with high volume capacity thanks to 1.5mm side thickness. Available in a large choice of depths from 250 to 550 mm for a full range of applications.



DESIGN:

Extra slim and minimalistic drawer shape in H80, H120 and H150 height versions available in a full range of colours from standard White and Grey to innovative Storm Grey and Coffee Black.





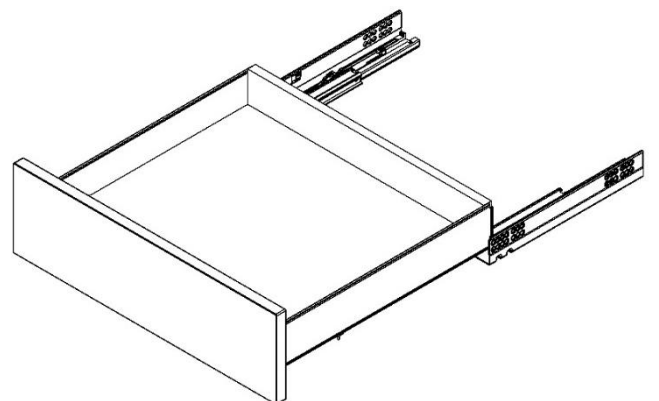
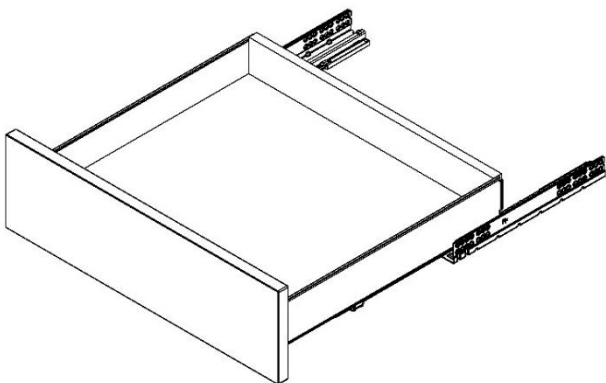
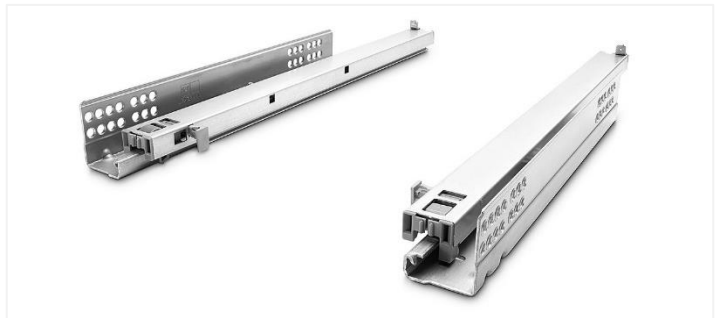
PERFORMANCE:

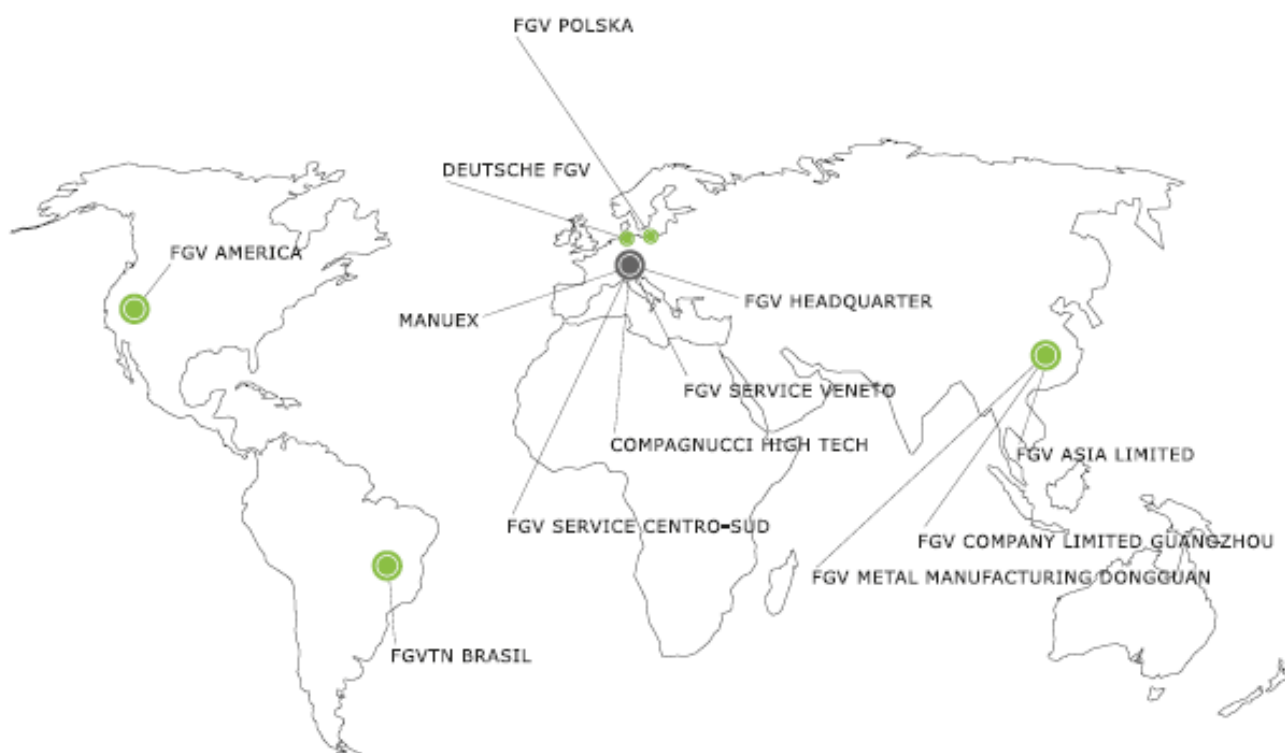
In accordance with UNI EN standard requests.

SLIDES:

Usable with different concealed slides: Excel Plug-In and Excel Easy-Fix, Single and Full extension, with SlowMotion and OneTouch Technologies for a smooth and elegant movement.

Excellent load ability of 30kg dynamic standard capacity.





DISCOVER FGV WORLD



FORMENTI & GIOVENZANA S.P.A.

Via Concordia, 16 - 20837 Veduggio con Colzano (MB) - Italy
T +39 (0)362 9471 - F +39 (0)362 998788 - info@fgv.it - www.fgv.it