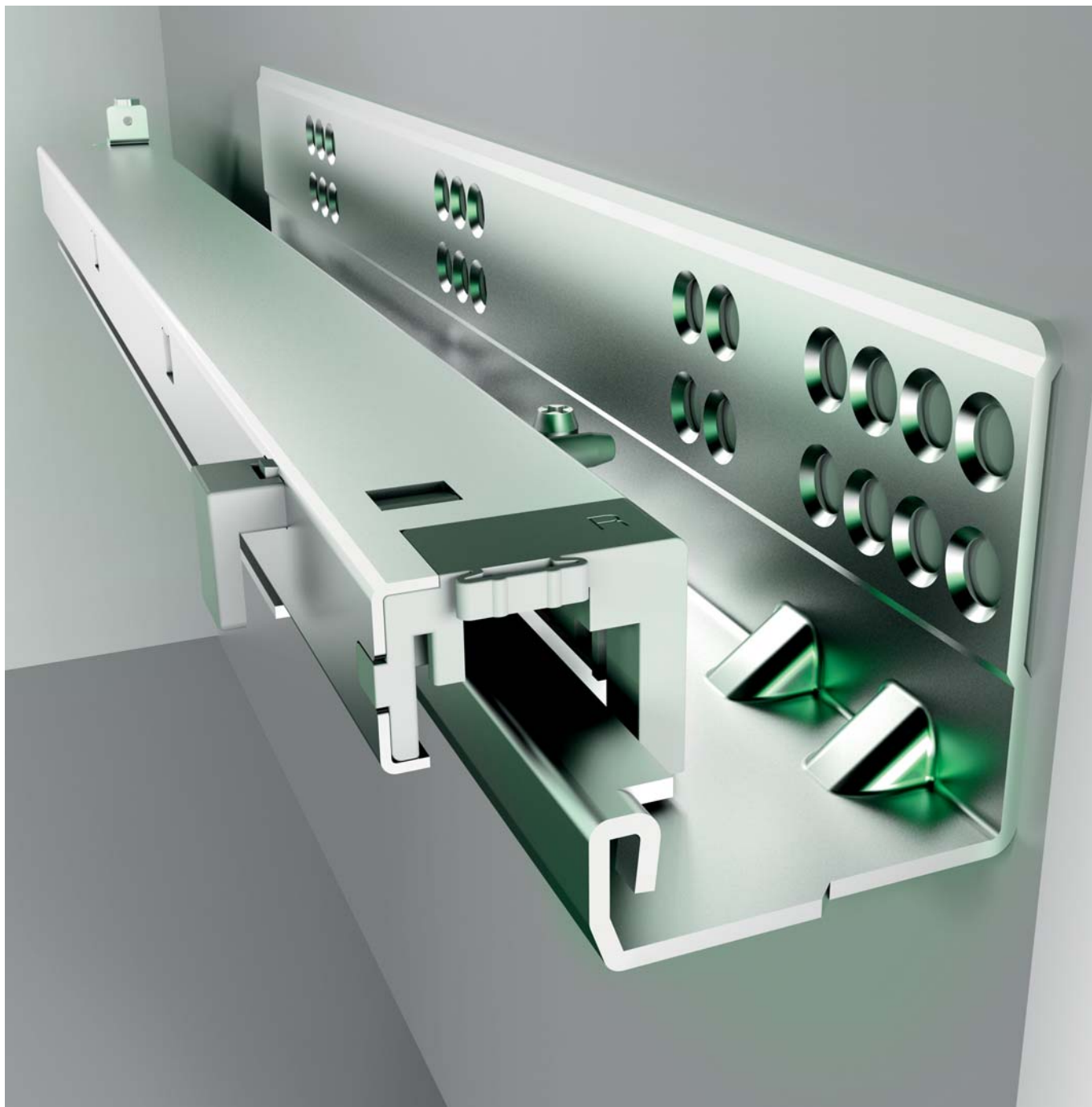




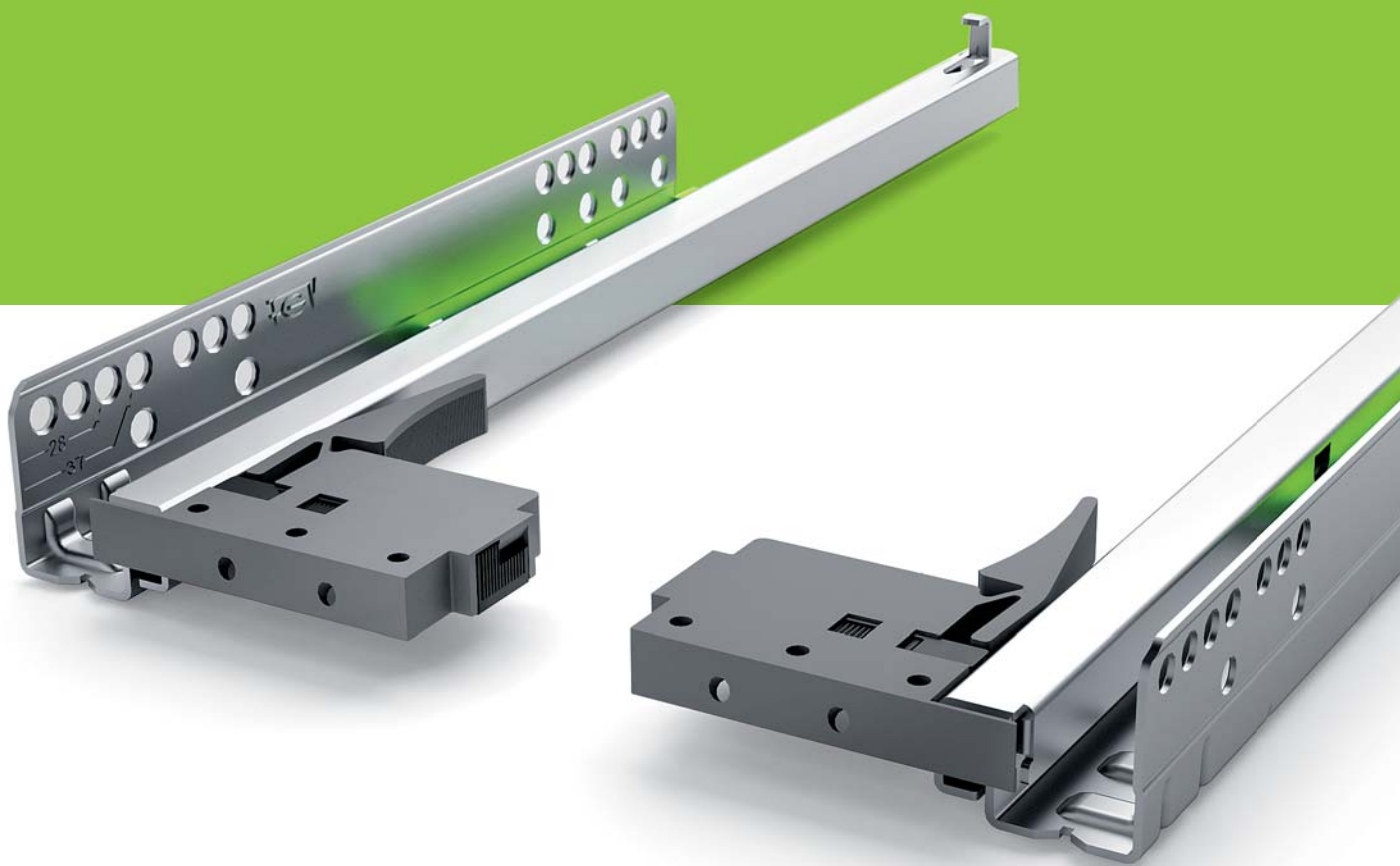
Excel



***A new generation
of slides***



**FORMENTI &
GIOVENZANA**





The Feelgood Factor

Concealed mounting

Single or full extension

Plug-in or Easy-Fix assembly

SlowMotion^{FR} damping

OneTouch handle less opening

Excel is the concealed sliding system for drawers developed and marketed by FGV. It boosts all the modern features of drawer sliding systems, thanks to cutting edge design, high quality of materials and automatic assembly processes. Excel benefits from the latest SlowMotion^{FR} damping technology with adaptive damping and final release feature for comfort and safety.



The right feeling

Slides are made for sliding! It seems obvious, but to provide a good performance to drawer slides, you need more than a few pieces put together. High quality materials for profiles and rollers, tight tolerances on each component in the assembly process and a constant care for every aspect are the conditions under which a slide delivers the right feeling, when opening a drawer. Pull-out resistance, damping power and guaranteed closure are the result of Italian design and home grown technology of a market leader.

Concealed technology

Technology needs to stand back, where design is taking over. Furniture hardware needs to accomplish its function with discretion and efficiency. Undermount slides are today a must and are replacing step by step roller slides or ball bearing slides. EXCEL under slung slides for single or full extension are technologically advanced solutions to move drawers over a life long period and to ensure a high comfort in complete discretion. Clearly present, virtually invisible, EXCEL slides are doing their work in a concealed manner.



Performance and quality

EXCEL slides are tested and approved to the highest quality standards. Conform to level 3 of ISO 7170:2005, the whole range covering the standard slides, the SlowMotion^{FR} version and the OneTouch version are built to last at least 80.000 cycles, representing more than two decades of constant use. CATAS certification is backing this claim. Formenti & Giovenzana SpA as a company is EN ISO 9001:2008 certified and aims to always deliver products with highest quality standards.



SlowMotion damper

Thanks to FGV adaptive damping technology, Excel slides are increasing the showroom appeal and improving the comfort in day-to-day usage. Developing a high energy level at impact, the drawer's travel is fully under control, ensuring that most of the force required is supplied from the start on. In the last millimeters of closure, the new FinalRelease feature ensures that drawers are always closing, even when the cabinet is out of tolerance or the assembly not perfect.



Tolerance build in

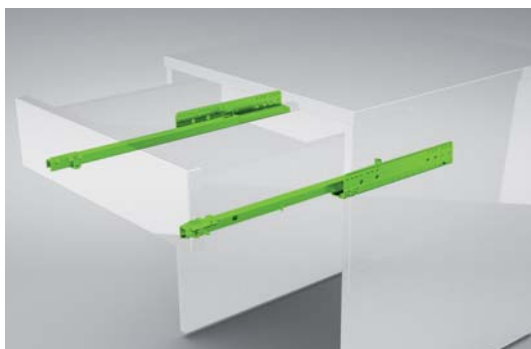
Producing furniture means accepting tolerances. Out of tolerance cabinet or drawer dimensions, parallax errors in the cabinet hole drilling or slide assembly are facts of life in furniture production. Excel slides are made for woodworkers and cope extremely well with adverse conditions. And on top, the easy height adjustment without dismantling the drawer is making the life of the industry and the trade a lot easier.



Adjustment and Anti-lift

The Excel slides benefit from the new height adjustment system and the Anti-lift feature to improve significantly ease of use and quality of this concealed slides.





N515H Excel single extension Plug-In

Benefits for the industry

- Large range of standard depths from 250 to 550 mm
- Small extraction loss due to compact build
- Very tolerant due to built in flexibility
- New generation of SlowMotion^{FR} damping with stop-close feature and FinalRelease feature to always guarantee silent drawer closure even under adverse conditions
- Simple Plug-In assembly for ease of manufacturing
- Comfortable large wheel height adjustment
- Excellent load ability with 25kg dynamic standard capacity throughout the range
- Anti-lift device pre-assembled

Benefits for the consumer

- Smooth functioning thanks to new generation of wheel design
- Lasting quality thanks to optimised materials
- Hidden assembly for high quality perception of the whole cabinet
- Adaptive SlowMotion^{FR} damping for noiseless closing
- High-end OneTouch handleless operation

Code	Description	Packing
54.N515.H7.25*.00T0	Excel N515H for 250mm deep drawer (1 pair)	Industrial
54.N515.H7.30*.00T0	Excel N515H for 300mm deep drawer (1 pair)	Industrial
54.N515.H7.35*.00T0	Excel N515H for 350mm deep drawer (1 pair)	Industrial
54.N515.H7.40*.00T0	Excel N515H for 400mm deep drawer (1 pair)	Industrial
54.N515.H7.45*.00T0	Excel N515H for 450mm deep drawer (1 pair)	Industrial
54.N515.H7.50*.00T0	Excel N515H for 500mm deep drawer (1 pair)	Industrial
54.N515.H7.55*.00T0	Excel N515H for 550mm deep drawer (1 pair)	Industrial

* closing system: 0 = Self-Closing / Y = SlowMotion / P = OneTouch / M = Easy-Lock

Industrial packing composed by:

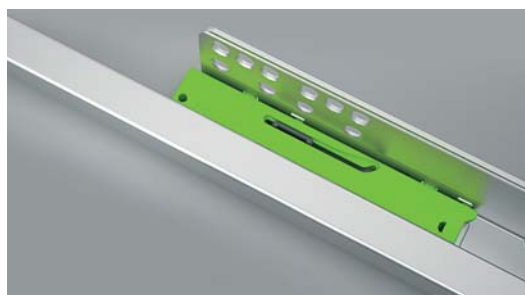
1 box of 20 right profiles

1 box of 20 left profiles

Version without Anti-lift feature available upon request.



Plug-In



OneTouch

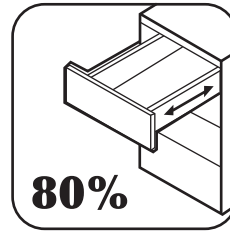
Handleless cabinets are part of modern furniture design. FGV OneTouch technology is precise, reliable and works over a large range of drawer width.



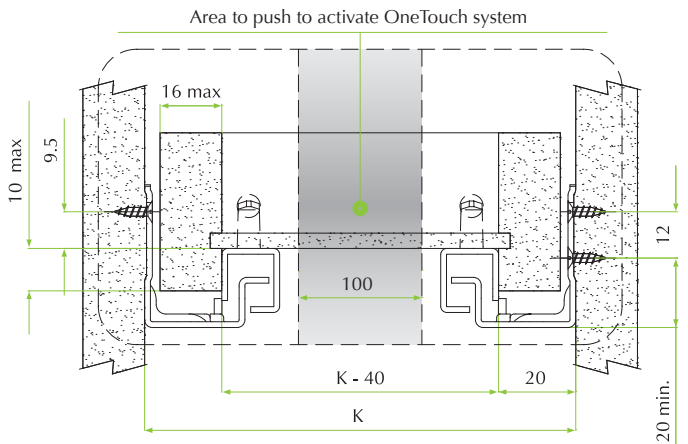
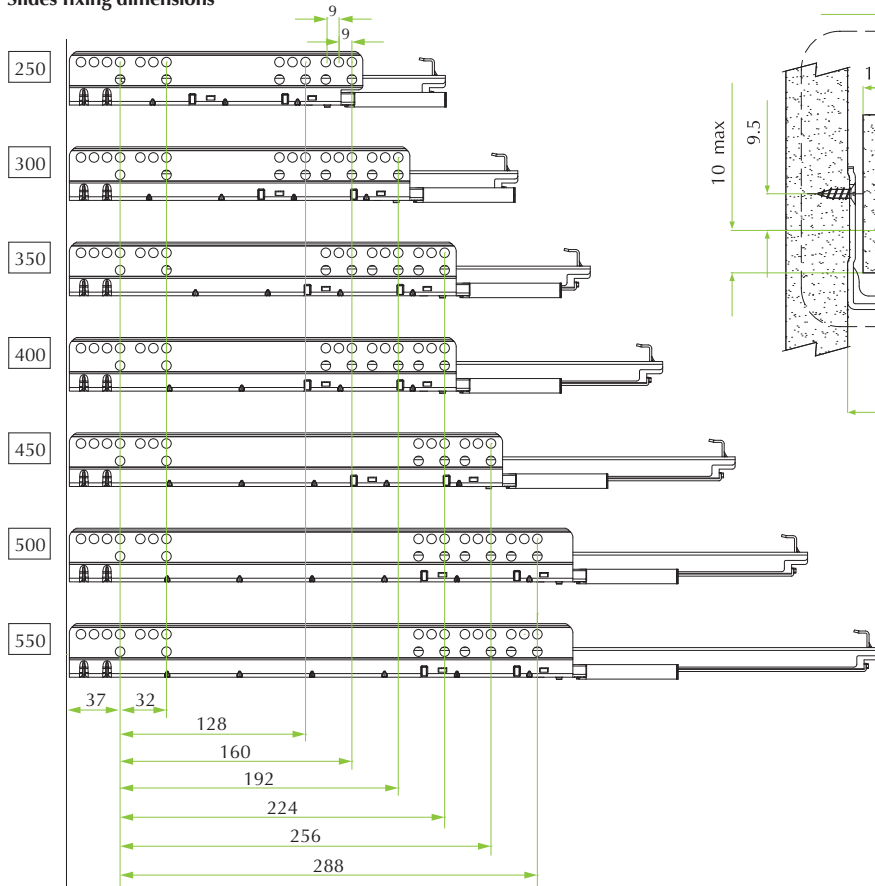
SlowMotion^{FR}

All new adaptive stop close damping device ensures a strong damping force and perfect closing of the drawer in every condition.

Excel single extension

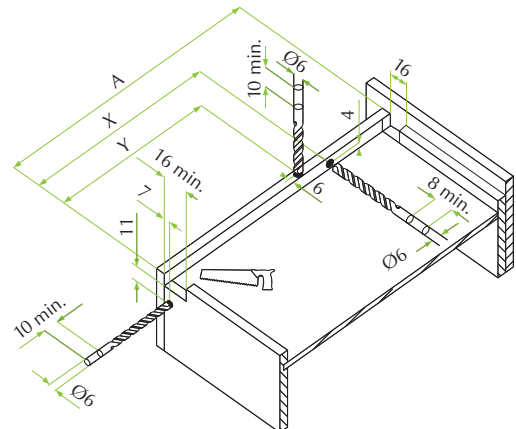
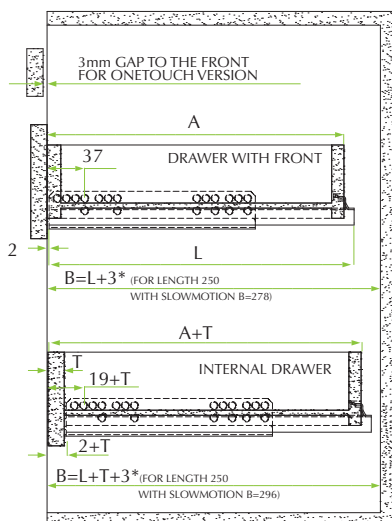


Slides fixing dimensions

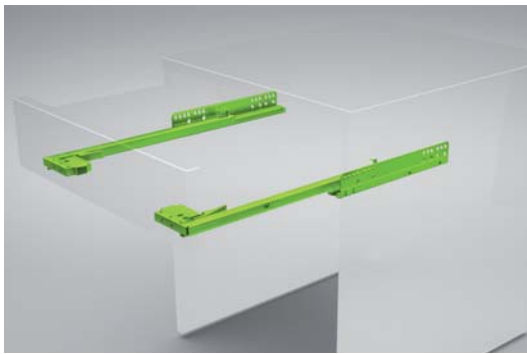


- L** = EXCEL SLIDE NOMINAL LENGTH
- A** = DRAWER DEPTH
- B** = CABINET INTERNAL DEPTH
- K** = CABINET INTERNAL WIDTH
- AV** = EXTENSION LOSS
(The OneTouch system is guaranteed for drawers with width max 600mm)

Drawer mounting & dimensions



L	260*	310	360	410	460	510	560
A	250	300	350	400	450	500	550
X	212.5	212.5	245.5	273.5	307.5	333.5	362.5
Y	188.5	188.5	221.5	249.5	283.5	309.5	338.5
AV	78.5	78.5	98.5	118.5	118.5	118.5	138.5



N550H Excel single extension Easy-Fix

Benefits for the industry

- Large range of standard depths from 250 to 550 mm
- Small extensions loss due to compact build
- Very tolerant due to built-in flexibility
- New generation of SlowMotion^{FR} damping with stop-close feature and FinalRelease feature to always guarantee drawer closure also under adverse conditions
- Easy-Fix rapid fixing for ease of assembly and integrated anti-lift feature
- Quick and easy front height adjustment without disassembly of the drawer
- Excellent load ability with 25kg dynamic standard load capacity throughout the range

Benefits for the consumer

- Smooth functioning thanks to new generation of wheel design
- Lasting quality thanks to optimised materials
- Hidden assembly for high quality perception of the whole cabinet
- Adaptive SlowMotion^{FR} damping for noiseless closing
- High-end OneTouch handleless operation

Code

54.N550.H7.25*.0000

54.N550.H7.30*.0000

54.N550.H7.35*.0000

54.N550.H7.40*.0000

54.N550.H7.45*.0000

54.N550.H7.50*.0000

54.N550.H7.55*.0000

Description

Excel N550H
for 250mm deep drawer (1 set)

Excel N550H
for 300mm deep drawer (1 set)

Excel N550H
for 350mm deep drawer (1 set)

Excel N550H
for 400mm deep drawer (1 set)

Excel N550H
for 450mm deep drawer (1 set)

Excel N550H
for 500mm deep drawer (1 set)

Excel N550H
for 550mm deep drawer (1 set)

Packing

Industrial

Industrial

Industrial

Industrial

Industrial

Industrial

Industrial

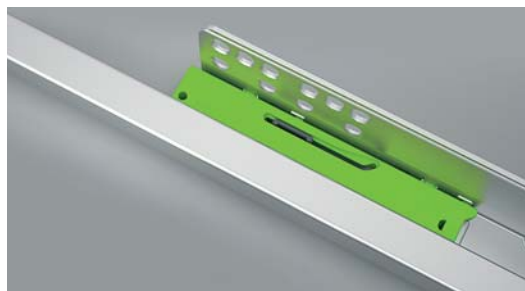
* closing system: 0 = Self-Closing / Y = SlowMotion / P = OneTouch.

Industrial packing composed by:

- 1 box of 24 right profiles
- 1 box of 24 left profiles
- 1 box of 48 Easy-Fix devices.



Easy-Fix



OneTouch

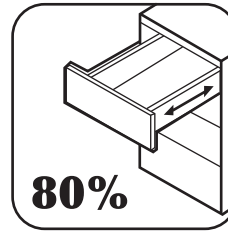
Handleless cabinets are part of modern furniture design. FGV OneTouch technology is precise, reliable and works over a large range of drawer width.



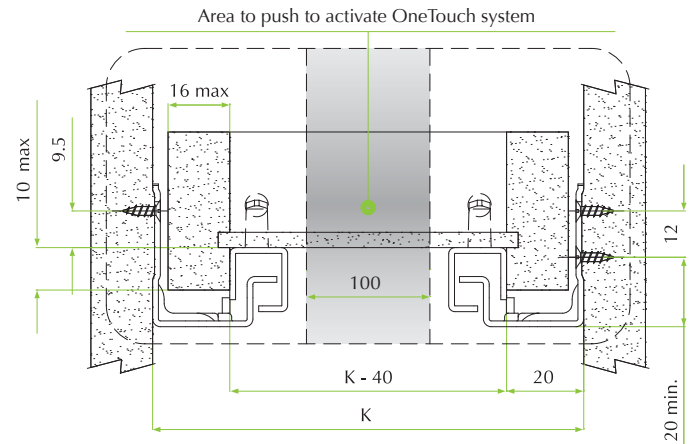
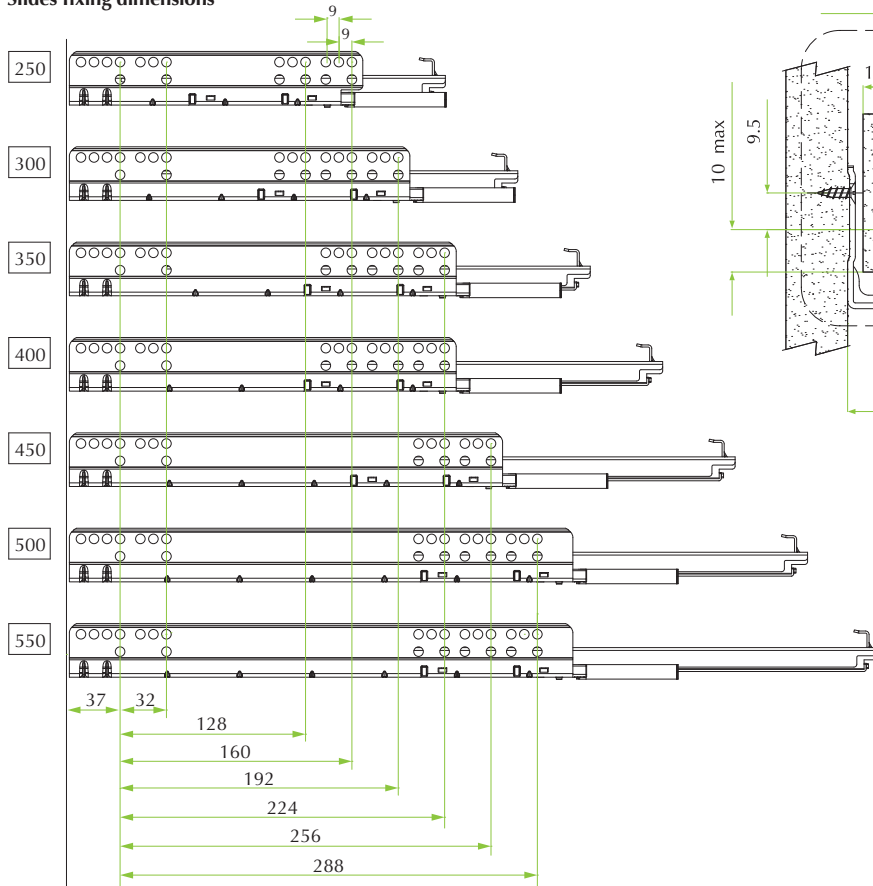
SlowMotion^{FR}

All new adaptive stop close damping device ensures a strong damping force and perfect closing of the drawer in every condition.

Excel single extension

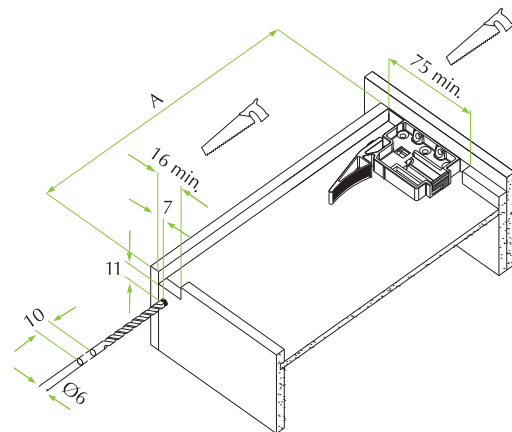
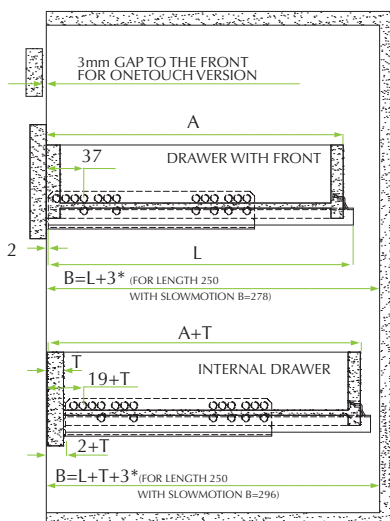


Slides fixing dimensions

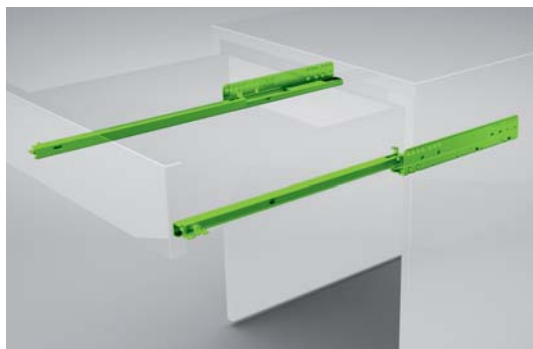


- L = EXCEL SLIDE NOMINAL LENGTH
- A = DRAWER DEPTH
- B = CABINET INTERNAL DEPTH
- K = CABINET INTERNAL WIDTH
- AV = EXTENSION LOSS
(The OneTouch system is guaranteed for drawers with width max 600mm)

Drawer mounting & dimensions



L	260*	310	360	410	460	510	560
A	250	300	350	400	450	500	550
AV	78.5	78.5	98.5	118.5	118.5	118.5	138.5



N615H Excel full extension Plug-In

Benefits for the industry

- Large range of standard depths from 250 to 550 mm
- Full extension for complete drawer access
- Very tolerant due to built-in flexibility
- New generation of SlowMotion^{FR} damping with stop-close feature and FinalRelease feature to always guarantee silent drawer closure even under adverse conditions
- Simple Plug-In assembly for ease of manufacturing
- Comfortable adjustment and integrated anti-lift feature
- Excellent load ability with 30kg dynamic standard capacity throughout the range
- Anti-lift device pre-assembled (not available for 250mm deep)

Benefits for the consumer

- Smooth functioning thanks to new generation of wheel design
- Comfortable full extension for improved accessibility and ease of use
- Lasting quality thanks to optimised materials
- Hidden assembly for high quality perception of the whole cabinet
- Adaptive SlowMotion^{FR} damping for noiseless closing
- High-end OneTouch handleless operation

Code

54.N615.H7.25*.0000

54.N615.H7.30*.00T0

54.N615.H7.35*.00T0

54.N615.H7.40*.00T0

54.N615.H7.45*.00T0

54.N615.H7.50*.00T0

54.N615.H7.55*.00T0

Description

Excel N615H
for 250mm deep drawer (1 pair)

Excel N615H
for 300mm deep drawer (1 pair)

Excel N615H
for 350mm deep drawer (1 pair)

Excel N615H
for 400mm deep drawer (1 pair)

Excel N615H
for 450mm deep drawer (1 pair)

Excel N615H
for 500mm deep drawer (1 pair)

Excel N615H
for 550mm deep drawer (1 pair)

Packing

Industrial

Industrial

Industrial

Industrial

Industrial

Industrial

Industrial

* closing system: Y = SlowMotion / P = OneTouch.

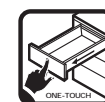
Industrial packing composed by:

- 1 box of 12 right profiles
- 1 box of 12 left profiles.

Version without Anti-lift feature available upon request.



Plug-In



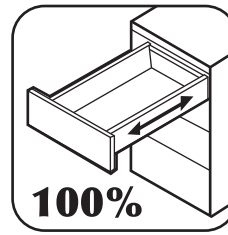
OneTouch

Handleless cabinets are part of modern furniture design. FGV OneTouch technology is precise, reliable and works over a large range of drawer width.

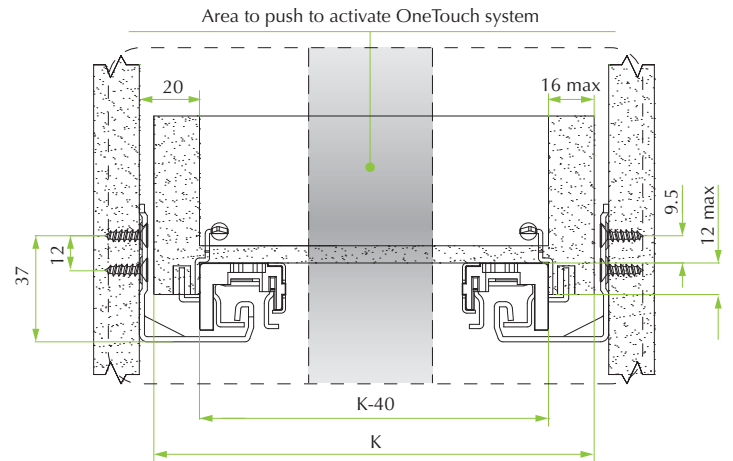
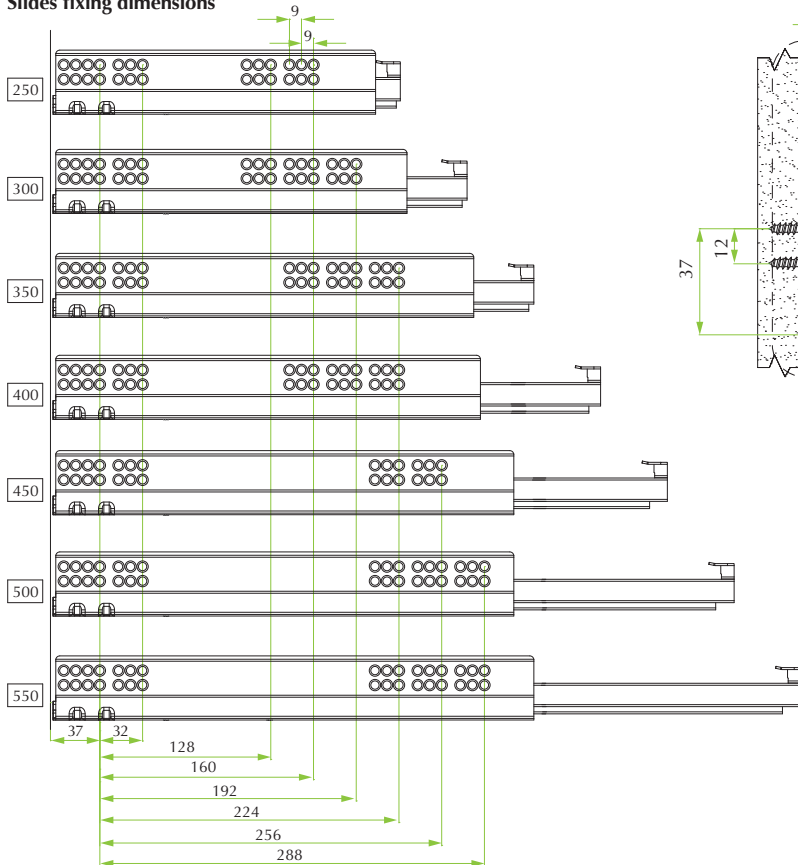


SlowMotion^{FR}

All new adaptive stop close damping device ensures a strong damping force and perfect closing of the drawer in every condition.

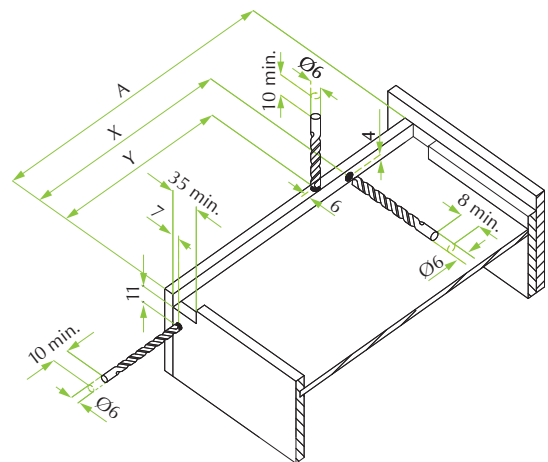
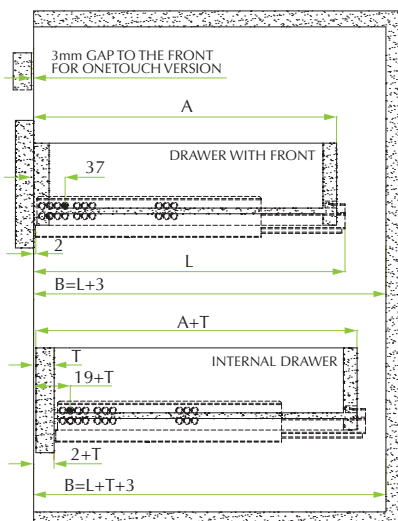


Slides fixing dimensions



L = EXCEL SLIDE NOMINAL LENGTH
A = DRAWER DEPTH
B = CABINET INTERNAL DEPTH
K = CABINET INTERNAL WIDTH
AV = EXTENSION LOSS
 (The OneTouch system is guaranteed for drawers with width max 600mm)

Drawer mounting & dimensions



L	260	310	360	410	460	510	560
A	250	300	350	400	450	500	550
Y	231	281	331	381	431	481	531



N665H Excel full extension Easy-Fix

Benefits for the industry

- Large range of standard depths from 250 to 550 mm
- Full extension for complete drawer access
- Very tolerant due to built-in flexibility
- New generation of SlowMotion^{FR} damping with stop-close feature and FinalRelease feature to always guarantee drawer closure also under adverse conditions
- Easy-Fix rapid fixing for ease of assembly and integrated anti-lift feature
- 3D adjustment for an easy and quick drawer alignment
- Excellent load ability with 30kg dynamic standard capacity throughout the range

Benefits for the consumer

- Smooth functioning thanks to new generation of wheel design
- Comfortable full extension for improved accessibility and ease of use
- Lasting quality thanks to optimised materials
- Hidden assembly for high quality perception of the whole cabinet
- Adaptive SlowMotion^{FR} damping for noiseless closing
- High-end OneTouch handleless operation

Code

54.N665.H7.25*.0000

54.N665.H7.30*.0000

54.N665.H7.35*.0000

54.N665.H7.40*.0000

54.N665.H7.45*.0000

54.N665.H7.50*.0000

54.N665.H7.55*.0000

Description

Excel N665H for 250mm deep drawer (1 set)

Excel N665H for 300mm deep drawer (1 set)

Excel N665H for 350mm deep drawer (1 set)

Excel N665H for 400mm deep drawer (1 set)

Excel N665H for 450mm deep drawer (1 set)

Excel N665H for 500mm deep drawer (1 set)

Excel N665H for 550mm deep drawer (1 set)

Packing

Industrial

Industrial

Industrial

Industrial

Industrial

Industrial

Industrial

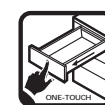
* closing system: Y = SlowMotion / P = OneTouch.

Industrial packing composed by:

- 1 box of 12 right profiles
- 1 box of 12 left profiles
- 1 box of 24 Easy-Fix devices.



Easy-Fix



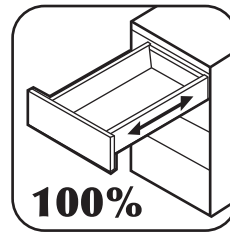
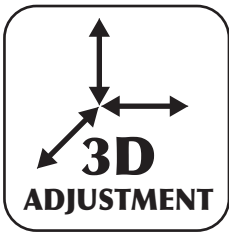
OneTouch

Handleless cabinets are part of modern furniture design. FGV OneTouch technology is precise, reliable and works over a large range of drawer width.

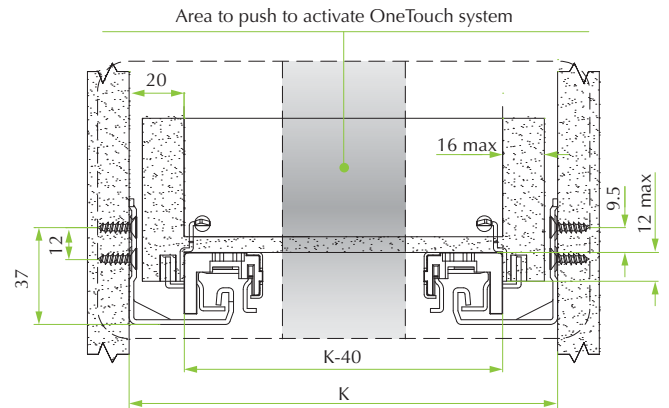
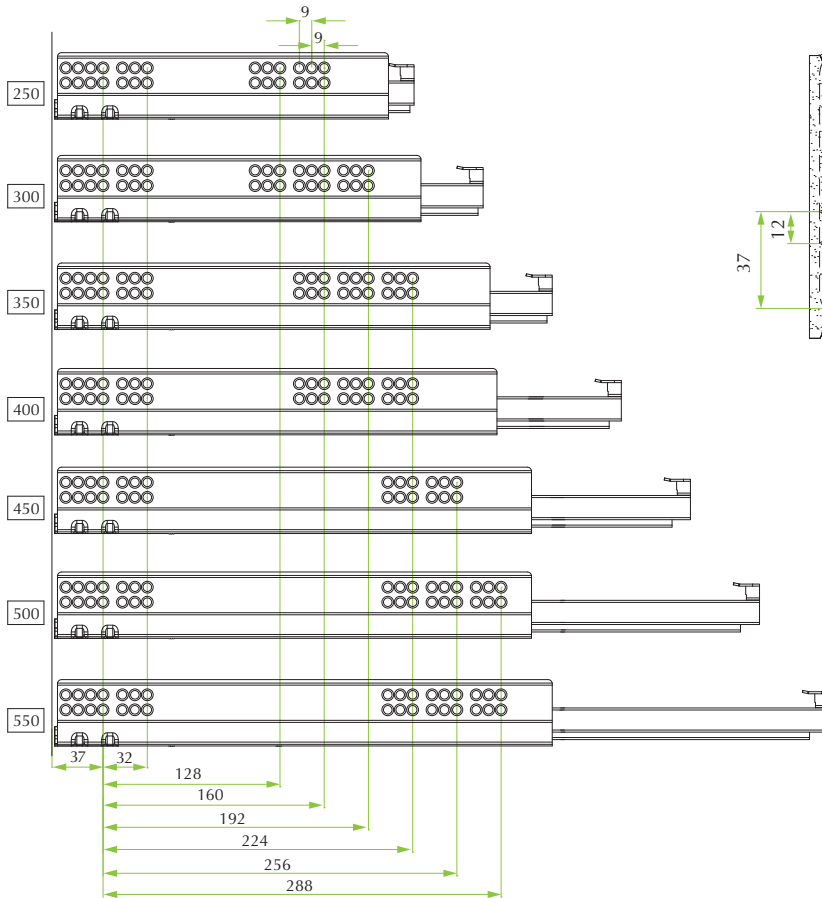


SlowMotion^{FR}

All new adaptive stop close damping device ensures a strong damping force and perfect closing of the drawer in every condition.

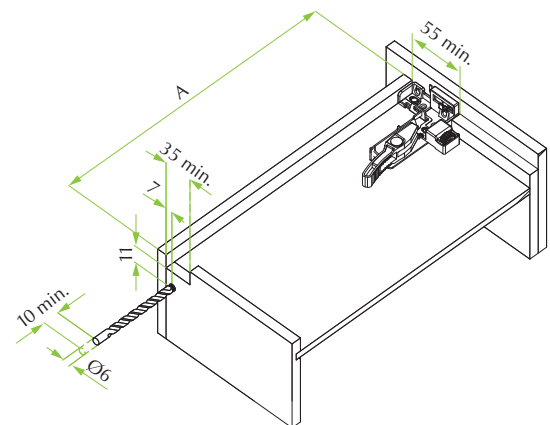
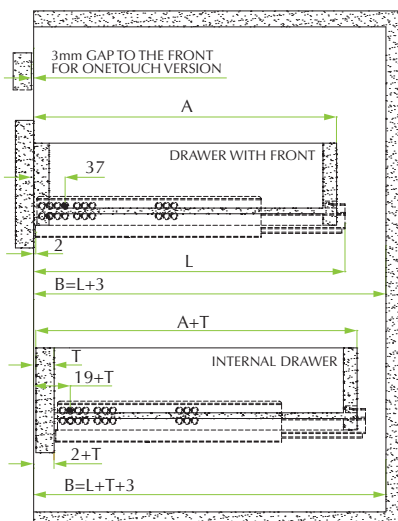


Slides fixing dimensions



L = EXCEL SLIDE NOMINAL LENGTH
 A = DRAWER DEPTH
 B = CABINET INTERNAL DEPTH
 K = CABINET INTERNAL WIDTH
 AV = EXTENSION LOSS
 (The OneTouch system is guaranteed for drawers with width max 600mm)

Drawer mounting & dimensions



L	260	310	360	410	460	510	560
A	250	300	350	400	450	500	550

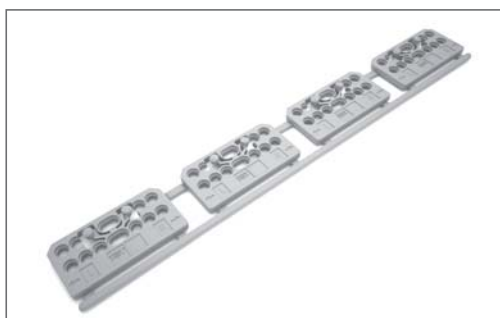
Excel Spacer Set



Technical specifications:

- 5mm spacer thickness to be mounted with N515 and N550 Excel slides
- Symmetrical solution to be applied to one or to both drawer slides
- Ideal application with interior drawers used on cabinets with hinged doors
- Supplied in a kit of 4 units to be separated manually

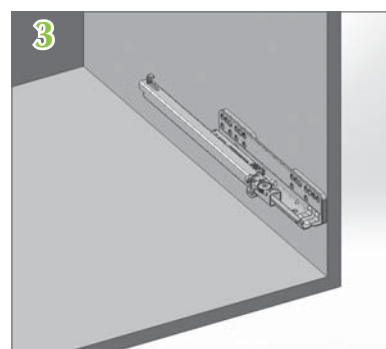
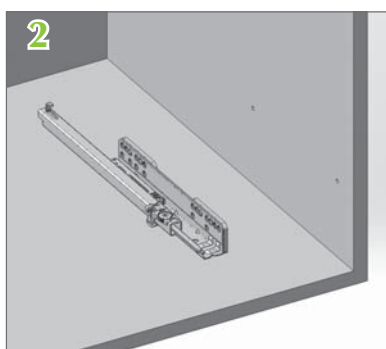
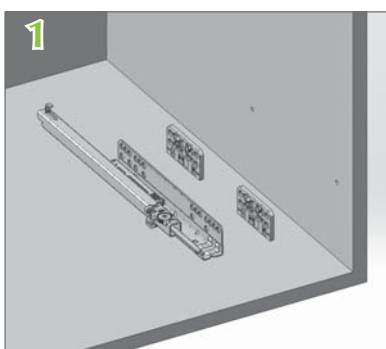
SPACER SET

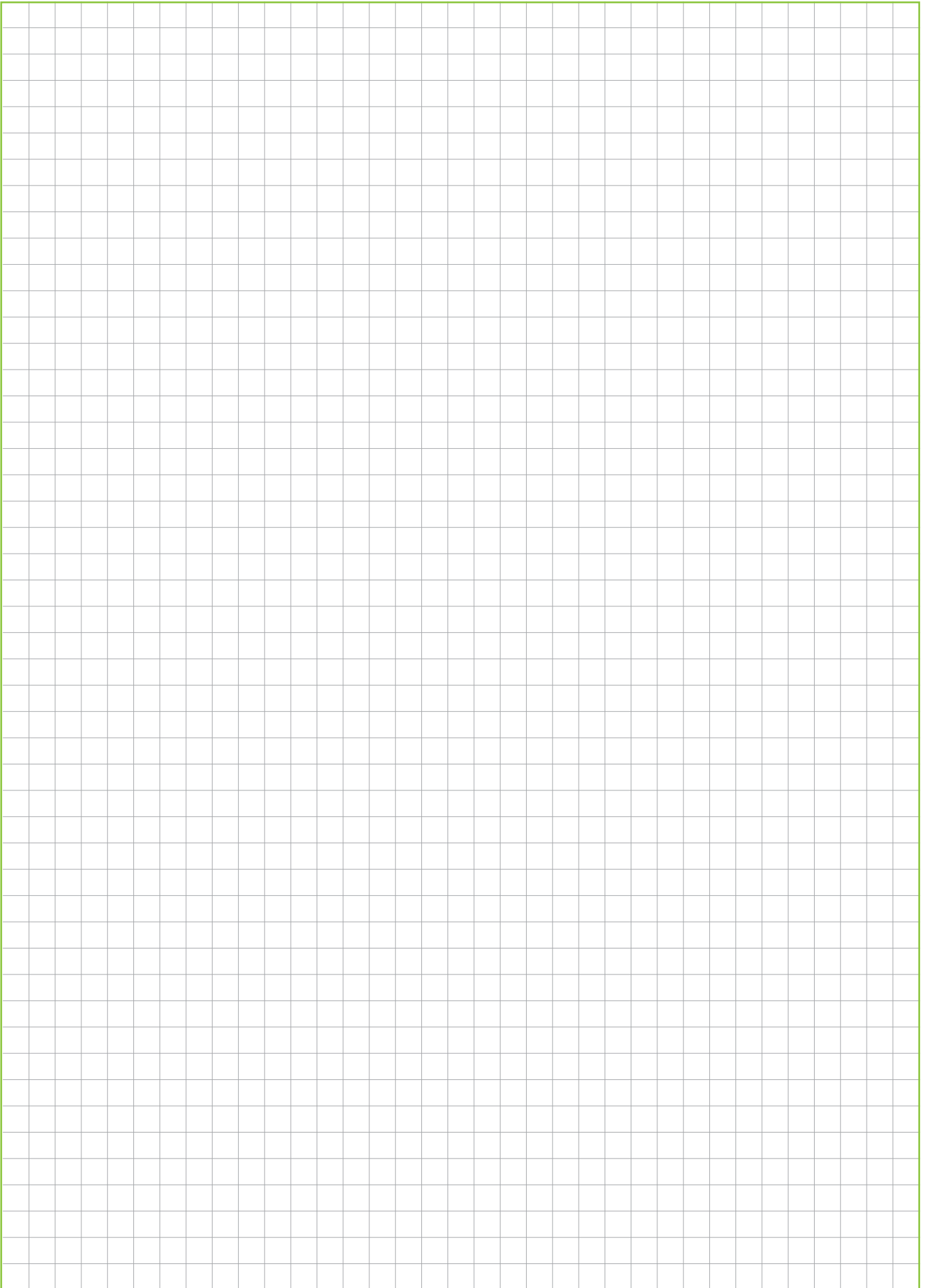


Code	Description	Packing
42.H50K.00.XL1.0000	Set of 4 plastic spacers	100 sets

Colour finish: Grey Ral 7042.

Application:






FORMENTI & GIOVENZANA S.p.A.

Via Concordia, 16
 20837 Veduggio con Colzano (MB) - ITALY
 Tel. +39 0362 947.1 r.a. - Fax +39 0362 998788
 info@fgv.it
 www.fgv.it

FGV SLOVAKIA, Spol s r.o.

Partizánska cesta 73, P.O.BOX 87
 957 01 Bánovce nad Bebravou - SLOVAKIA
 Tel. +421 (0) 38 7626 100 - Fax +421 (0) 38 7626 105
 info@fgv.sk

FGVTN BRASIL LTDA.

Rua Francisco Derosso, 1352
 Curitiba Paraná 81710 000 - BRASIL
 Tel. +55 41 2107 4411 - Fax +55 41 3275 3038
 fgvtn@fgvtn.com.br - www.fgvtn.com.br

FGV ASIA Limited

Unit 1602, 16/F., Metropolis Tower
 10 Metropolis Drive, Hunghom,
 Kowloon, Hong Kong - P.R.CHINA
 Tel. +852 2762 1534 - Fax +852 2648 7389
 info@fgvasia.com - www.fgvasia.com

FGV (Guangzhou) Company Limited

Units 2710-2711, Yang Cheng International Trading Centre
 East Tower, Ti Yu Dong Lu, No. 122
 Guangzhou - P R CHINA
 Tel. +86 20 38870570 - Fax +86 20 38870323
 info@fgvchina.com - www.fgvchina.com

DEUTSCHE FGV Formenti & Giovenzana Möbelbeschläge GmbH

Industriestr. 44
 D-33397 Rietberg - GERMANY
 Tel. +49 (0) 5244-9708-0 - Fax +49 (0) 5244-9708-15
 www.fgvgermany.com

FORMENTI & GIOVENZANA POLSKA Sp. z o.o.

Ul. Boleslawiecka 8a
 98-400 Wieruszów - POLAND
 Tel. +48 62 58 10 400 - Fax +48 62 58 10 480
 www.fgvpolka.pl

FGV UKRAINE TOB

Вул. Черновола 39
 08132 Вишневе, Київська обл., Україна
 Тел. +38 044 333 56 23
 Факс +38 044 333 56 24
 info@fgv.kiev.ua

FGV SERVICE VENETO S.r.l.

Via Pietro Bassani, 12
 33170 Pordenone (PN) - ITALY
 Tel. +39 0434 572728
 info@fgvserviceveneto.com

FGV SERVICE CENTRO-SUD

Via Massimo d'Antona, 6i
 60033 Chiaravalle (AN) - ITALY
 Tel. +39 071 7451125 - Fax +39 071 7496441
 infocentrosud@fgvservice.com