



GENERAL CATALOG 2024



U.S. Futaba, Inc. serves the North American market for hardware distributors by providing quality product, consistent availability, and impressive customer service. In 1983, U.S. Futaba, Inc. began to source the world directly to the United States, Canada, and Mexico. In its beginning, Charles Fournell made a committed effort to servicing the hardware industry of North America with a wide range of product categories. Not only this, he ensured an industry standard for quality of both functional and decorative hardware to his customers.

Since his passing in 2013, U.S. Futaba has continued to be managed by Charles' family. His daughters, Jessica and Linda, continue to work with the company from our East and West coast offices. Along with that, his son-in-law, Stephen Ferrall, filled the shoes of Charles eleven years ago. In continuing Charles' legacy, the family has upheld the company's integrity in providing some of the most authentic customer service, a standard quality of vendor product, and available inventories.

Our strong and reliable vendor relationships have ensured an industry standard in quality. Through maintaining these relationships U.S. Futaba continues to bring product from numerous foreign suppliers right into the North American markets. For 41 years, U.S. Futaba, Inc. has been devoted to partnering with many brands related to functional and decorative hardware. Some of our vendors have remained with us since our first steps into the industry in 1983. In addition, we continue to seek out and open-up to vendors that demonstrate a quality product that shows promise in the North American market.

Throughout our 41 years of experience in importing goods, we understand the emphasis of maintaining availability of products for our customers. This ensures stability in holding high volume inventories, quickly replenishing our stock, and limited out-of-stock periods. Our effort in being available to our customers, through product inventory management, is to establish a mutually successful relationship with our customers. By satisfying your needs with our actions, we find it easier to reach each other's goals.

Once again, our long-standing presence in the industry is due to our superb customer service. During our time, U.S. Futaba Inc. has continuously held an open door to their customers. We welcome customer intervention in idea generation and look to establish a proper channel in satisfying these wishes. Another trait we take pride in is our authentic customer relations. Relying on employee-to-customer conversation via phone, fax, or email, ensures a guaranteed solution or answer to any problem or question.

Now, from the entire family of U.S. Futaba, Inc., we would like to thank you, our customers, for your continued patronage and look forward to a continued relationship of bringing you the best product and service in the industry.

U.S. Futaba, Inc. is Member of



Ball Bearing Slides	Ball Bearing Slides Specialty Slides	Optional Items	Page 7 – 20	01
Drawer Solutions	Undermount Drawer Slides Impaz Drawer Systems	Impaz Components Euro Slides	Page 21 – 28	02
Hinges	Semi-Concealed Hinges Torque Hinges Institutional Hinges Various Hinges	Glass and Wood Door Hinges Strikes and Strike Plates Latches and Catches	Page 29 – 42	03
Kitchen Solutions	Base Cabinet Expansions	Base Cabinet Organizers	Page 43 – 46	04
Closet Rods and Accessories	Steel Rods and Supports Aluminum Rods and Supports	Acrylic Rods Rod and Shelf Support Brackets	Page 47 – 58	05
Locks	Removable Core System Drawer Locks Furniture Locks Combination Locks	Push Knob Locks Locker Locks Lock Accessories	Page 59 – 80	06
Office Line	Products for PC and Desktop Grommets Castors	Furniture Glides Leg Levelers	Page 81 – 92	07
Home Hardware	Handrails and Utensil Rails Round Rail Barn Door Flat Rail Barn Door Bypass Barn Door	Barn Door Accessories Handles for Barn Door Flat Rail Mini-Barn Door Mini-Barn Door Accessories	Page 93 – 108	08
Functional Hardware	Brackets and Connectors Catches and Latches Shelf Supports	Furniture Makers' Must Haves Swivels Flat Panel TV Lifts	Page 109 – 130	09
Decorative Hardware	Pulls		Page 131 – 134	10

01 Ball Bearing Slides

Light-Duty Drawer Slides

DS3508: 35 Lb Center Mount 8

Medium-Duty Drawer Slides

DS4634: 100 Lb 1" Over Travel 9
DS4658: 100 Lb Stainless Steel 10
NJ31733: 100 Lb 1" Over Travel 11
100 Lb 1" Over Travel 12
NJ35D65: 100 Lb Full Extension Soft Close 13
NJ38D58: 100 Lb Full Extension Touch to Open 14

Heavy-Duty Drawer Slides

NJ85A01: 130 Lb Full Extension Soft Close 15
NJ81A02: 200 Lb Full Extension 16

Specialty Drawer Slides

NJ27069: 50 Lb Light-Duty Hydraulic Slide "Easy Down" 17

Optional Items

Face Frame Rear Mounting Bracket 18
Adjustable Plate 18
Face Frame Rear Mounting Bracket 19

02 Drawer Solutions

Undermount Drawer Slides

Concealed Undermount Drawer Slides 22
Front Locking Devices 23
1-Dimensional Front Locking Device
2-Dimensional Front Locking Device
3-Dimensional Front Locking Device
Rear Face Frame Bracket 23
Synchronized Concealed Undermount Drawer Slides 24
Front Locking Devices 25
2-Dimensional Front Locking Device
3-Dimensional Front Locking Device
Rear Face Frame Bracket 25

Impaz Single-Wall Metal Drawer System

Single Extension 26
Full Extension 26
Components and Assembly Accessories 27
Slide-On Front Mounting Bracket
Clip-On Front Mounting Bracket
Internal Rollout Shelf Brackets
Railing Marking Template
Drilling Template
Cover Caps
Drawer Front Jig
Insertion Ram

Euro Slides

Single Extension Premium Slide 28
Single Extension Economy Slide 28

03 Hinges

270° Semi-Concealed Hinges

270° Semi-Concealed Hinge 30

Torque Hinges

Torque Hinge 31

Economy Institutional Hinges

Economy Institutional Hinge 32

Various Hinges

Mortise Cylinder Hinge 33
Table Flap-Top Hinge 34
90° Concealed Hinge 34
Bi-Fold Hinge 35
Lift Flap Hinge 35
Folding Table Hinge 35

Glass and Wood Door Hinges

Glass Door Hinges 36
Inlay Glass Door Hinges 36
Wood Door Pivot Hinges 37
Overlay Glass Door Hinges 37

Strikes and Strike Plates

Metal Strikes with Adhesive Rubber 38
Strike Plates 38

Latches and Catches

Magnetic Catches 39
Square Single Type
Square Double Type
Magnetic Push Latches 40
Single Type
Round Single Type
Round Double Type
Square Single Type
Square Double Type
Aluminum Magnetic Catches 41
Square Double Type
Square Single Type
Mortise Magnetic Catch 41

04 Kitchen Solutions

Base Cabinet Expansions

Slow Motion Countertop Extension 44

Base Cabinet Organizers

Soft Close Blind Corner Organizer 45
Tray Divider 46

05 Closet Rods and Accessories

Steel Rods and Supports

Oval Closet Rods and Supports	48
Standard Round Closet Rods and Supports	49
Heavy-Duty Round Closet Rods and Supports	50

Aluminum Rods and Supports

Oval Closet Rods and Supports	51
Round Closet Rods and Supports	52
Capped Round Closet Rods and Supports	53
Hourglass Closet Rods and Supports	54

Acrylic Rods and Supports

Round Closet Rods and Supports	55
--------------------------------	----

Closet Rods and Shelf Support Brackets

For Round Rods	56
For Oval Rods	57

06 Locks

Removable Core System

Cylinder Cores and Keys	60
-------------------------	----

Drawer Locks

Round Drawer Locks	61
Single Bolt Drawer Locks	61
Double Bolt Drawer Locks	62
Slam Locks	63

Furniture Locks

Cam Locks	64
Push Locks	65
Lever Locks	66
Front Mount Gang Lock	67
Side Mount Gang Lock	68

Combination Locks

4-Digit Combination Lock – Round	69
4-Digit Combination Lock – Horizontal	70
4-Digit Combination Lock – Vertical	71

Push Knob Locks

Concealed Push Knob Lock – Small	72
Concealed Push Knob Lock – Large	73

Locker Locks

Locker Lock	74
Locker Lock with Clutch	75

Lock Accessories

Gang Lock Accessories	76
Removable Core System Accessories	77
Strike Plates	77
Cams	78
Various Lock Accessories	79
Combination Lock Accessories	79

07 Office Line

Products for PC and Desktop

Keyboard Arm and Tray	82
Keyboard Drawer	82
Keyboard Drawer with Mouse Tray	83
Keyboard Drawer with Front Mouse Tray	83
Keyboard Drawer with Nylon Brackets	83
Pencil Drawer with Frame	84
Pencil Drawer with Ball Bearing Slides	84

Grommets

3-Piece Wire Grommets	85
Zinc Alloy Grommets	85

Castors

Swivel Castor	85
Polyurethane/Nylon Single Wheel Castors	86
Rubber Single Wheel Castors	87
Nylon Twin Wheel Castors	88
With Threaded Stem	
With Socket Stem	
With Swivel Plate	
Twin Wheel Castor Components	89

Furniture Glides

Adjustable Glides	90
T-Nut for Threaded Glides	90
Nail Glides	90
Heavy-Duty Adjustable Floor Leveler	90
Adjustable Furniture Glide System	91
3/8" Double Angle Bracket	91
3/8" Corner Bracket	91

Cabinet Leg Leveler

Screw-On	92
Press-In	92
Toe Kick Board Mounting Clip	92

08 Home Hardware

Home Railing

Indoor Handrail Kit	94
Indoor and Outdoor Handrail Kit	94
Utensil Rail Kit	95

Barn Door Hardware

Round Rail Barn Door Hardware	96
Surface Mount	
Top Mount	
Flat Rail Barn Door Hardware	98
Surface Mount	
Top Mount	
Flat Rail Bypass Barn Door Hardware	100
Surface Mount	

08 Home Hardware

Barn Door Accessories	101
Rail Connectors	
Guides	
Bypass Door Brackets	
Latches	
Soft Close Mechanisms for Flat Rail	
Barn Door Handles	103
Surface Mount Flush Handles	
Surface Mount Flush Handles and Bar Pulls	
Recessed Flush Handles	
Rectangle Handles	
Fleur-De-Lys Handles	
Octagon Handles	
Spade Handles	
Rounded Handles	
Mini-Barn Door Hardware	
Flat Rail Mini-Barn Door	105
Surface Mount	
Top Mount	
Mini-Barn Door Accessories	107
Additional Rollers	
Flat Rail Connector	
Bypass Door Bracket	
Door Stopper	

09 Functional Hardware

Heavy-Duty Brackets	
Workstation Brackets	110
Brackets	111
Folding Brackets	
Three Position Brackets	112
Bracket	112
Constructional Brackets	
Hybrid Brackets (L-Shape)	113
Extended Concealed Brackets	114
Concealed Brackets	115
Aluminum Brackets	
Concealed Brackets	116
Extended Concealed Brackets	117
Wall Mount Shelf Brackets	118
Special Shelf Supports	
Heavy-Duty Floating Shelf Support	119
Toe Kick Brackets	
ADA Toe Kick Bracket	120
Various Brackets	
Angle Brackets	121
Euro Brackets	121

09 Functional Hardware

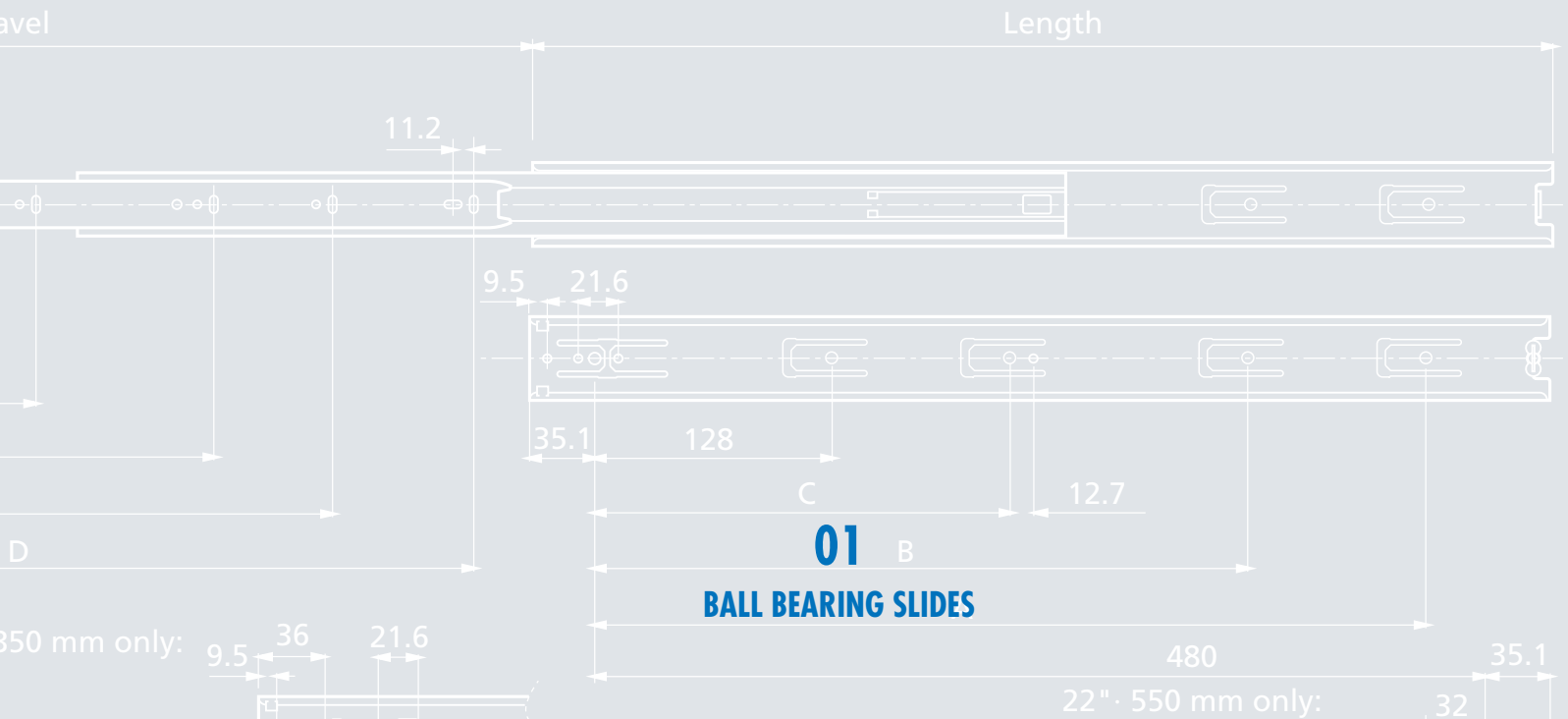
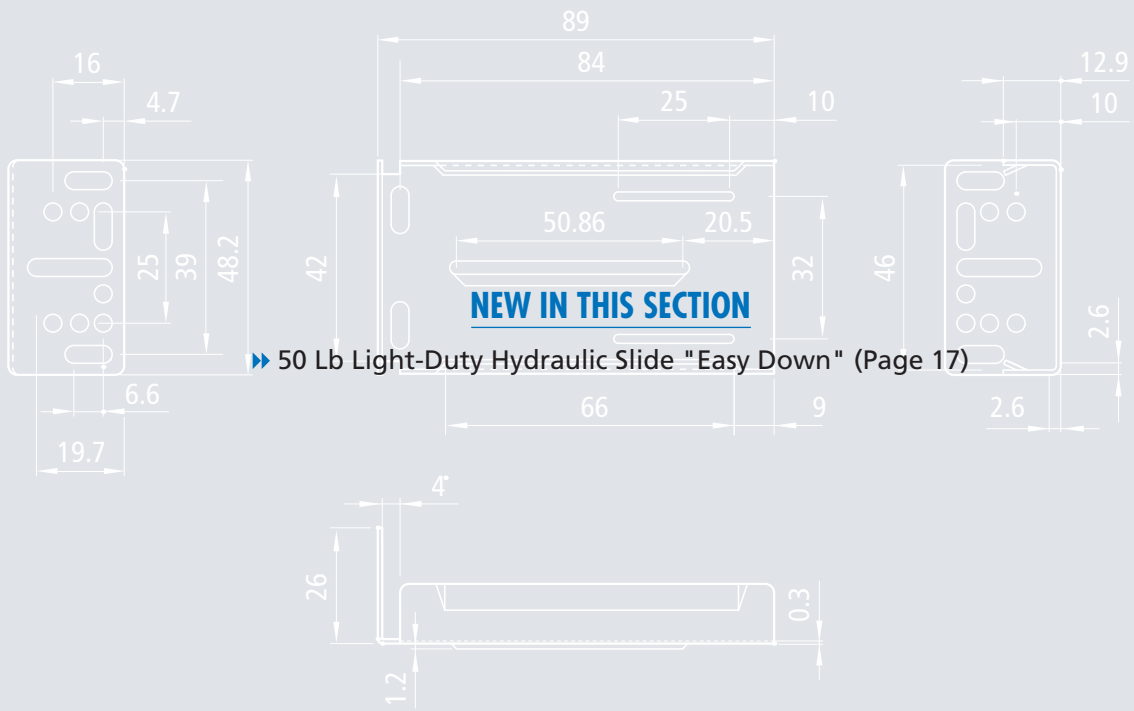
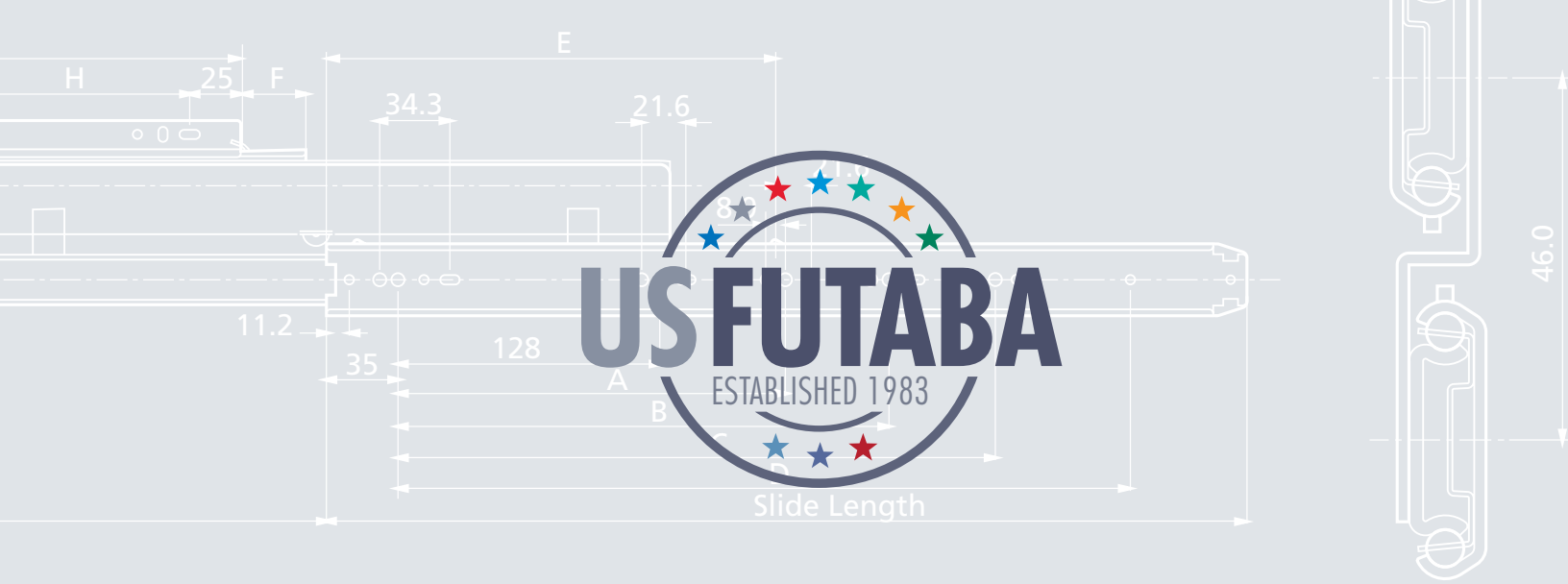
Connectors	
Connecting Strip	121
Connecting Screws	121
Catches and Latches	
Double Bead Catches	122
Double Roller Catches	122
Elbow Catches	122
Mini Latch	122
Cam Type Sash Lock	122
Shelf Supports	
Shelf Supports	123
Furniture Makers' Must Haves	
Self-Adhesive Bumpers	124
Cylindrical Type	
Hemispherical Type	
Square Type	
Focal Type	
Wood Dowels and Biscuits	125
Swivels	
Aluminum Swivels with Ball Bearings	126
"Lazy Susan" Swivels with Ball Bearings	126
TV Pull-Out Swivels	127
Heavy-Duty TV Pull-Out Swivel	
5/8" Extension TV Pull-Out Swivel	
Flat Panel TV Lifts	
WHISPER 1000	128
WHISPER 750	128
WHISPER 700	129
WHISPER Replacement Remote	129
VERSALIFT	130

10 Decorative Hardware

Bar Pulls	
Steel	132
Arch Pulls	
Steel	132
D-Shape Wire Pulls	
Steel	132
Aluminum	133
Solid Brass	133
Stainless Steel	133

Appendix

Item Number Index	135
-------------------	-----





Features

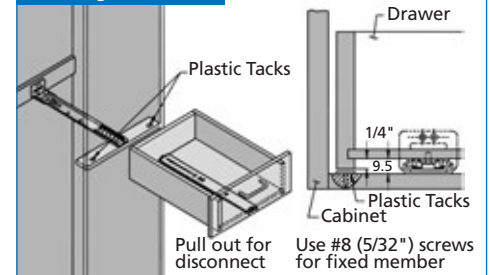
- ▶ 3/4 extension
- ▶ Stays closed
- ▶ Center mount
- ▶ Friction disconnects
- ▶ Electrically galvanized zinc plating
- ▶ Rear mounting bracket will adjust to cabinet depth

- ▶ Adjustment: 1-3/8"
- ▶ Lengths: 12" – 24"
- ▶ Load capacity: 35 lbs.
- ▶ Packaging: 40 Pieces (PCS)/ Carton (BX)
- ▶ Available finishes: zinc or black

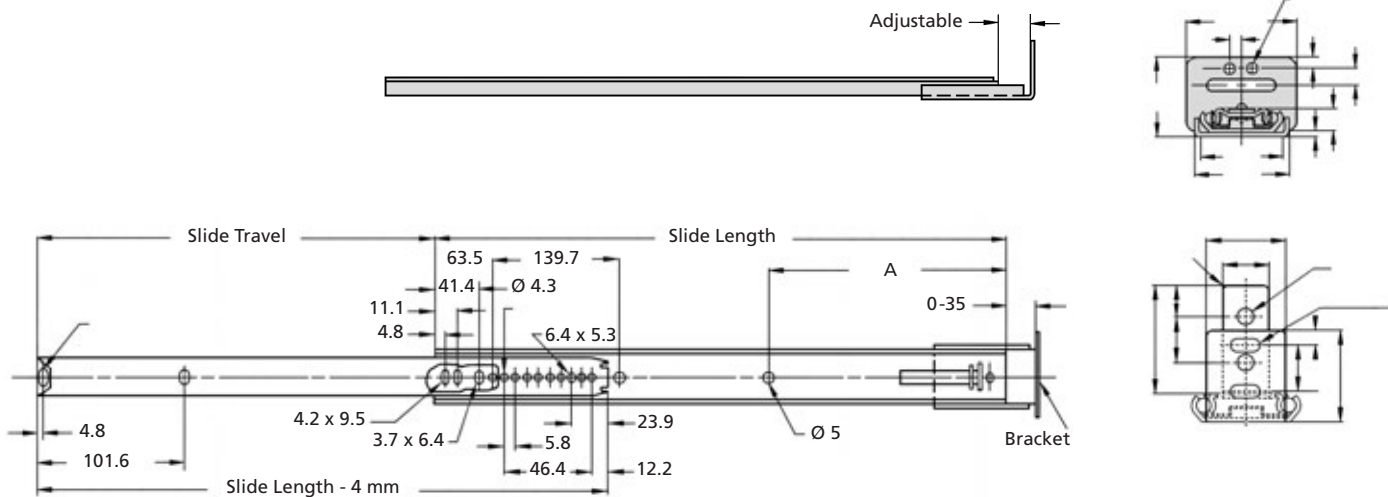
Applications

- ▶ Bedroom furniture
- ▶ Bathroom cabinets
- ▶ Kitchen cabinets

Mounting Information

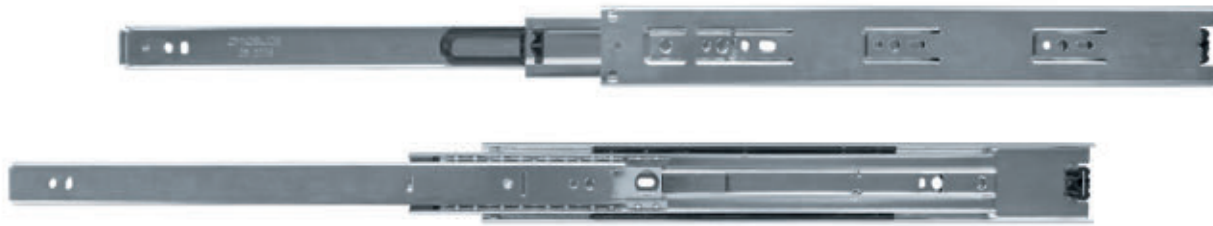


Dimensions



Item Number	Length		Travel		A		Drawer Length		Cabinet Depth	
	Inch	mm	Inch	mm	Inch	mm	Inch	mm	Inch	mm
10341 04 060	12-3/4	324	8-7/8	224			10-5/8 – 12-1/2	270 – 318	13 – 14-1/2	330 – 368
10341 04 061	14-3/4	375	10-5/8	271			12-5/8 – 14-1/2	321 – 368	15 – 16-1/2	381 – 419
10341 04 064	16-3/4	425	12-3/16	310			14-5/8 – 16-1/2	372 – 419	17 – 18-1/2	432 – 470
10341 04 065	18-3/4	476	12-9/16	320	8-7/16	214	16-5/8 – 18-1/2	422 – 470	19 – 20-1/2	483 – 521
10341 04 066	20-3/4	527	15-1/2	393	8-7/16	214	18-5/8 – 20-1/2	473 – 521	21 – 22-1/2	533 – 572
10341 04 067	22-3/4	578	16-11/16	424	8-7/16	214	20-5/8 – 22-1/2	524 – 572	23 – 24-1/2	584 – 622
10341 04 068*	24-3/4	629	17-11/16	450	8-7/16	214	22-5/8 – 24-1/2	575 – 622	25 – 26-1/2	635 – 673

* – Special Order Only – call for current pricing, minimum order quantity, and lead-time.



Features

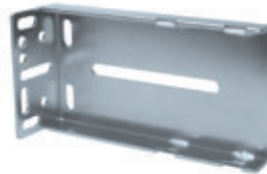
- ▶ 1" over travel
- ▶ Stays closed
- ▶ Side mount
- ▶ Hold-in detent
- ▶ Ball retainer detent for an easy drawer re-install
- ▶ Patented "butterfly release" for an easy disconnect
- ▶ Electrically galvanized zinc plating
- ▶ Rear adjust mounting bracket will adjust to cabinet depth
- ▶ Screw mounting system 32 mm compatible
- ▶ Bayonet mounting – for metal enclosures & sockets – for face frame application available
- ▶ Lengths: 10" – 28"

- ▶ Height: 1-13/16" (45.4 mm)
- ▶ Side spacing: 1/2" (12.7 mm)
- ▶ Load capacity: 100 lbs. (tested at 18" length)
- ▶ Packaging:
 - 10" – 16" 20 Pairs (PR)/Carton (BX)
 - 18" – 28" 10 Pairs (PR)/Carton (BX)
- ▶ Available finishes: zinc or black
- ▶ ANSI/BIFMA/BHMA compliant

Applications

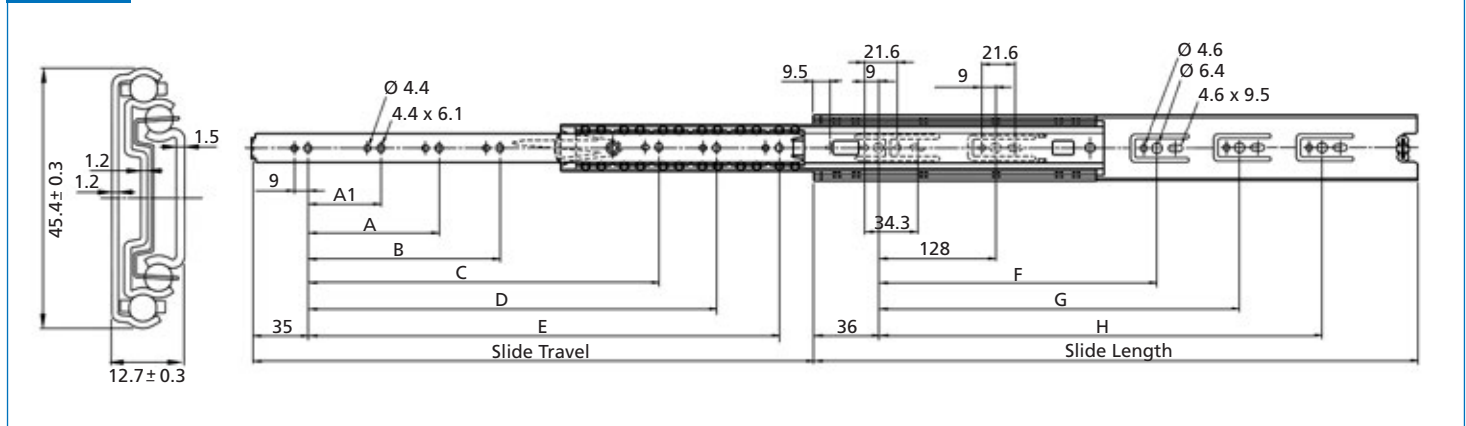
- ▶ Bedroom furniture
- ▶ Office furniture
- ▶ Kitchen cabinets
- ▶ Toolboxes

Optional Item – for detailed information please refer to page 18 –

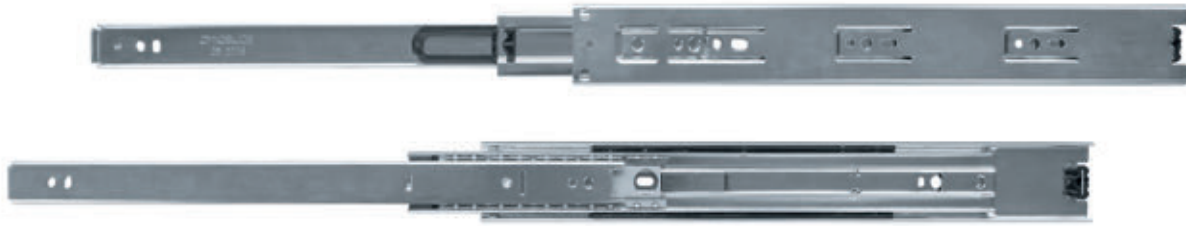


Item Number	Face Frame Rear Mounting Bracket
13159 05 082	Finish: Trivalent

Dimensions



Item Number	Length		Travel		A1		A		B		C		D		E		F		G		H		
	Inch	mm	Inch	mm	Inch	mm	Inch	mm	Inch	mm	Inch	mm	Inch	mm	Inch	mm	Inch	mm	Inch	mm	Inch	mm	
10416 04 124	10	250	11	279											7-9/16	192							
10416 04 125	12	300	13	330											9-1/2	242	8-7/8	224					
10416 04 116	14	350	15	381	5	128									11-1/2	292	8-7/8	224					
10416 04 117	16	400	17	432	5	128				12-9/16	320				13-1/2	342	8-7/8	224		12-9/16	320		
10416 04 118	18	450	19	483	5	128				12-9/16	320				15-7/16	392	8-7/8	224		13-7/8	352		
10416 04 119	20	500	21	534	5	128	7-9/16	192	12-9/16	320					17-3/8	442	8-7/8	224		16-3/16	416		
10416 04 120	22	550	23	584	5	128	8-7/8	224			16-3/8	416			19-3/8	492	8-7/8	224		13-7/8	352	17-5/8	448
10416 04 121	24	600	25	635	5	128	8-7/8	224			16-3/8	416			21-3/8	544	8-7/8	224		13-7/8	352	18-7/8	480
10416 04 122	26	650	27	686	5	128	8-7/8	224			16-3/8	416	21-3/8	544	23-1/4	592	8-7/8	224		13-7/8	352	21-3/8	544
10416 04 123	28	700	29	737	5	128	8-7/8	224	11-3/8	288	16-3/8	416	21-3/8	544	25-1/4	642	8-7/8	224		13-7/8	352	21-3/8	544



Features

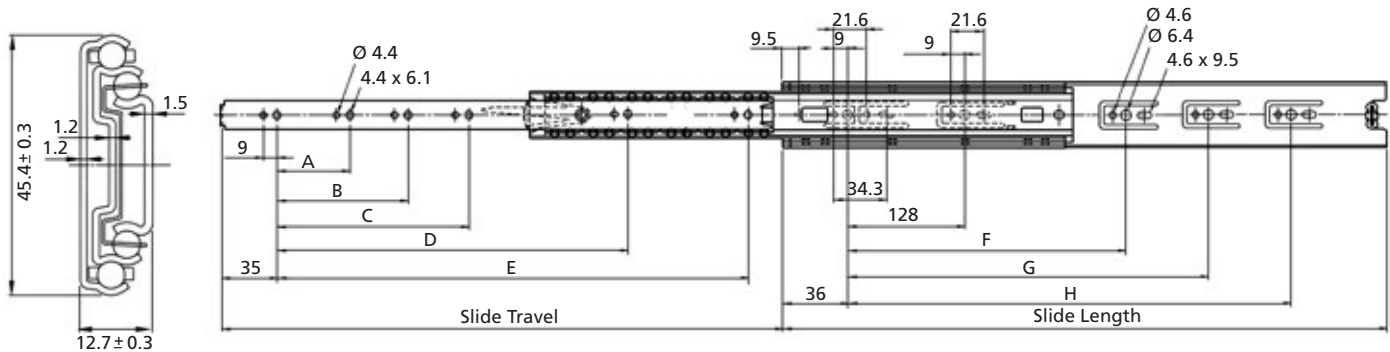
- ▶ Full extension slide
- ▶ Side mount
- ▶ 304 stainless steel - provides resistance to a high amount of corrosion
- ▶ Hold-in detent
- ▶ Ball retainer detent for an easy drawer re-install
- ▶ Patented "butterfly release" for an easy disconnect
- ▶ Electrically galvanized zinc plating
- ▶ Rear adjust mounting bracket will adjust to cabinet depth

- ▶ Screw mounting system is 32 mm compatible
- ▶ Bayonet mounting – for metal enclosures & sockets – for face frame application available
- ▶ Lengths: 14" – 22"
- ▶ Height: 1-13/16" (45.5 mm)
- ▶ Side spacing: 1/2" (12.7 mm)
- ▶ Load capacity: 100 lbs. (tested at 18" length)
- ▶ Packaging: 10 Pairs (PR)/Carton (BX)
- ▶ Available finishes: zinc or black
- ▶ RoHS compliant

Applications

- ▶ Outdoor kitchens
- ▶ Outdoor furniture
- ▶ Barbecue grills
- ▶ Restaurant equipment
- ▶ Appliances
- ▶ Vending machines
- ▶ Boat furniture
- ▶ Hospitals
- ▶ Motorhomes
- ▶ RVs

Dimensions



Item Number	Length		Travel		A		B		C		D		E		F		G		H	
	Inch	mm	Inch	mm	Inch	mm	Inch	mm	Inch	mm	Inch	mm	Inch	mm	Inch	mm	Inch	mm	Inch	mm
10415 56 174	14	350	14	356	5	128							11-1/2	292	8-7/8	224				
10415 56 175	16	400	16	406	5	128			12-9/16	320			13-1/2	342	8-7/8	224	12-9/16	320		
10415 56 176	18	450	18	457	5	128			12-9/16	320			15-7/16	392	8-7/8	224	13-7/8	352		
10415 56 177	20	500	20	508	5	128	7-9/16	192	12-9/16	320			17-3/8	442	8-7/8	224	16-3/16	416		
10415 56 178	22	550	22	559	5	128	8-7/8	224			16-3/8	416	19-3/8	492	8-7/8	224	13-7/8	352	17-5/8	448



Features

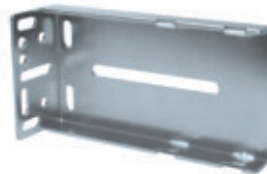
- ▶ 1" over travel
- ▶ Side mount
- ▶ Breather tab for self-adjustment – for accommodating variations of side clearance
- ▶ Easy access window – when in a closed position – to reach hole on cabinet member
- ▶ Screw mounting system is 32 mm compatible – except for dimension D
- ▶ Electrically galvanized zinc plating
- ▶ Lengths: 10" – 28"
- ▶ Height: 1-13/16" (45.7 mm)
- ▶ Load capacity: 100 lbs. (tested at 22" length)

- ▶ Side spacing:
 - 1/2" (+ 1/32" – 0")
 - 12.7 mm (+ 0.38 mm – 0 mm)
- ▶ Packaging: 10 Pairs (PR)/Carton (BX)
- ▶ Available finishes: zinc or black
- ▶ RoHS, ANSI, BIFMA & BHMA compliant

Applications

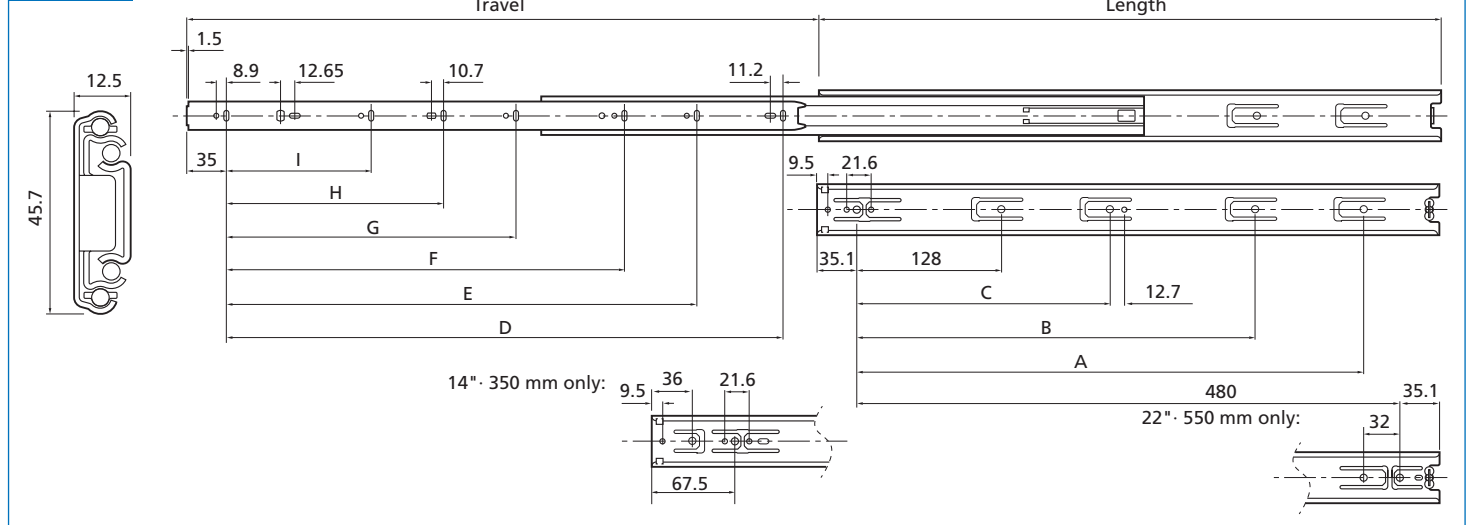
- ▶ Commercial furniture
- ▶ Bedroom furniture
- ▶ Office furniture
- ▶ Kitchen cabinets

Optional Item – for detailed information please refer to page 18 –



Item Number	Face Frame Rear Mounting Bracket
13159 05 082	Finish: Trivalent

Dimensions



Item Number	Length		Travel		A		B		C		D		E		F		G		H		I	
	Inch	mm	Inch	mm	Inch	mm	Inch	mm	Inch	mm	Inch	mm	Inch	mm	Inch	mm	Inch	mm	Inch	mm	Inch	mm
11416 04 011	10	250	10	254							7-9/16	192										
11416 04 012	12	300	12	305					8-13/16	224	9-1/2	242									5	128
11416 04 020	14	350	14	356					5	128	11-3/4	298										
11416 04 013	16	400	16	406			12-9/16	320	8-13/16	224	13-1/2	342									5	128
11416 04 014	18	450	18	457			13-7/8	352	8-13/16	224	15-7/16	392			12-9/16	320					5	128
11416 04 015	20	500	20	508			16-3/8	416	8-13/16	224	17-3/8	442			12-9/16	320					5	128
11416 04 016	22	550	22	559			13-7/8	352	8-13/16	224	19-3/8	492	16-3/8	416							5	128
11416 04 017	24	600	24	610	18-7/8	480	13-7/8	352	8-13/16	224	21-3/8	542			16-3/8	416			8-13/16	224	5	128
11416 04 018	26	650	26	660	21-7/16	544	13-7/8	352	8-13/16	224	23-5/16	592	21-3/8	544	16-3/8	416			8-13/16	224	5	128
11416 04 019	28	700	28	711	21-7/16	544	13-7/8	352	8-13/16	224	25-1/4	642	21-3/8	544	16-3/8	416	11-3/8	288	8-13/16	224	5	128

100 Lb Medium-Duty Ball Bearing Slide



Features

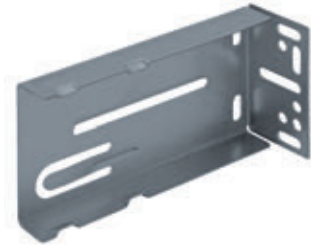
- ▶ 1" over travel
- ▶ Side mount
- ▶ Screw mounting system is 32 mm compatible
- ▶ Lengths: 14" – 22"
- ▶ Height: 1-49/64" (45 mm)
- ▶ Side spacing: 1/2" (12.7 ± 0.2 mm)
- ▶ Load capacity: 100 lbs.
- ▶ Packaging:
 - 14" – 16" 20 Pairs (PR)/Carton (BX)
 - 18" – 22" 10 Pairs (PR)/Caron (BX)
- ▶ Finish: zinc plated
- ▶ RoHS compliant
- ▶ BHMA 1-HD100 (tested 18" length)

Applications

- ▶ Commercial furniture
- ▶ Bedroom furniture
- ▶ Office furniture
- ▶ Kitchen cabinets

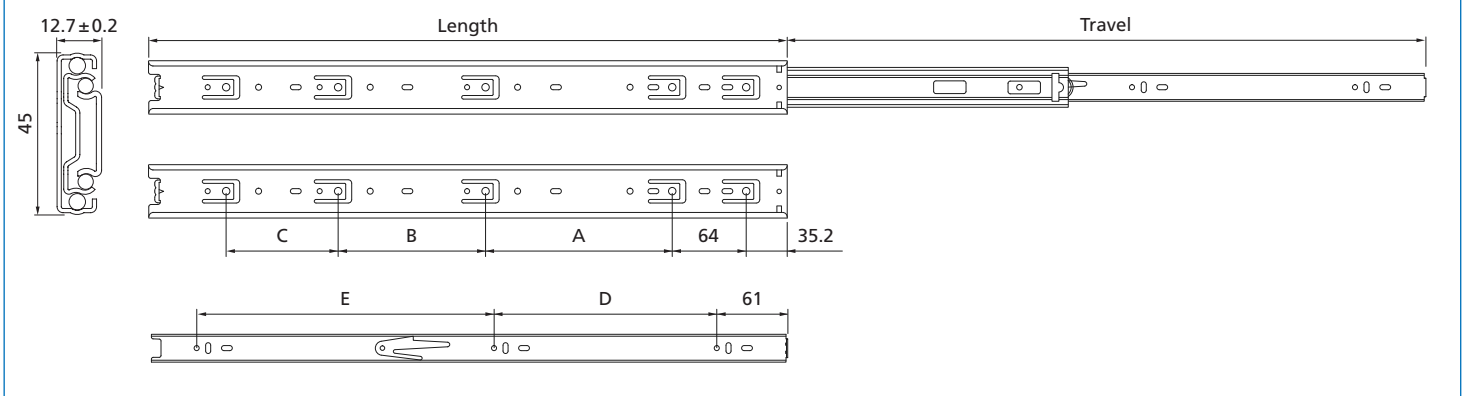
Optional Item

– for detailed information please refer to page 19 –



Item Number	Face Frame Rear Mounting Bracket
13159 02 271	Finish: Galvanized steel

Dimensions



Item Number	Length		Travel		A		B		C		D		E	
	Inch	mm	Inch	mm	Inch	mm	Inch	mm	Inch	mm	Inch	mm	Inch	mm
09416 04 263	14	350	14-3/4	375	6-19/64	160					5-3/64	128	5-3/64	128
09416 04 264	16	400	16-23/32	425	6-19/64	160	3-25/32	96			5-3/64	128	6-19/64	160
09416 04 265	18	450	18-11/16	475	6-19/64	160	3-25/32	96			6-19/64	160	7-9/16	192
09416 04 266	20	500	20-21/32	525	8-13/16	224	3-25/32	96			7-9/16	192	7-9/16	192
09416 04 267	22	550	22-5/8	575	6-19/64	160	5-3/64	128	3-25/32	96	7-9/16	192	10-5/64	256



PATENTED PUSH BUTTON RELEASE

Features

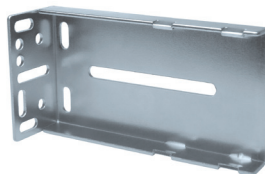
- ▶ Full extension soft close
- ▶ Side mount
- ▶ Hold-in detent
- ▶ Patented "dry damper" soft close eliminates all issues related to leakage
- ▶ Patented "push-button" release for an effortless removal of the drawer
- ▶ Screw mounting system is 32 mm compatible
- ▶ Electrically galvanized zinc plating
- ▶ Pull force per drawer:
 - 12" – 22": 2.4 kg – 3.4 kg
 - 24" – 28": 3.4 kg – 4.4 kg
- ▶ Lengths: 12" – 28"
- ▶ Height: 1-13/16" (45.7 mm)

- ▶ Side spacing:
 - 1/2" (+ 1/32" – 0")
 - 12.7 mm (+ 0.38 mm – 0 mm)
- ▶ Load capacity: 100 lbs. (tested at 22" length)
- ▶ Packaging: 10 Pairs (PR)/Carton (BX)
- ▶ Available finishes: zinc or black
- ▶ RoHS, ANSI, BIFMA & BHMA compliant

Applications

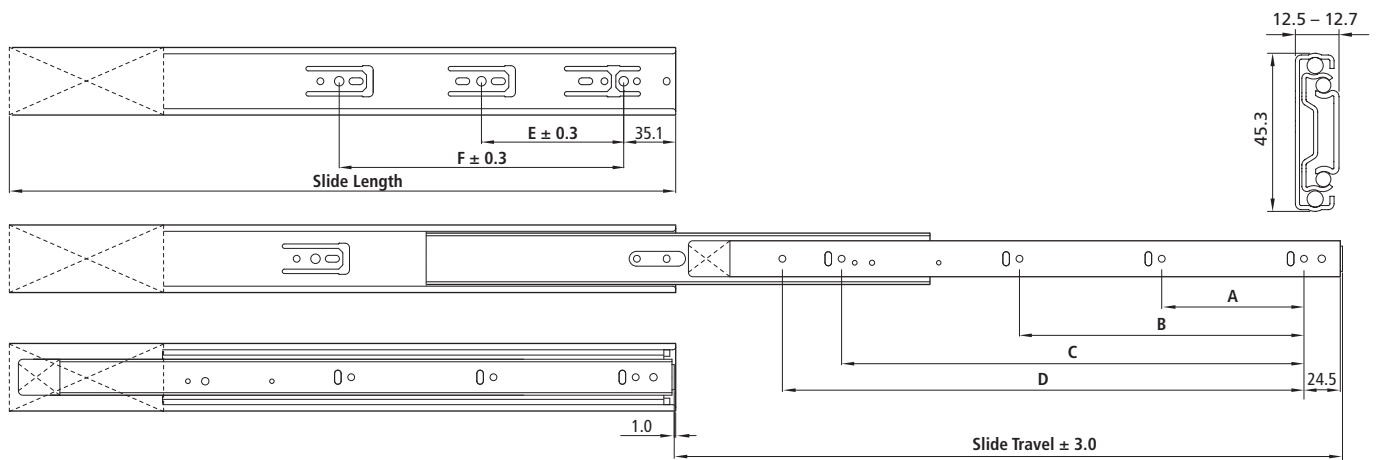
- ▶ Kitchen cabinets
- ▶ Bedroom furniture
- ▶ Office furniture
- ▶ Commercial furniture

Optional Item – for detailed information please refer to page 18 –



Item Number	Face Frame Rear Mounting Bracket
13159 05 098	Finish: Trivalent

Dimensions



Item Number	Length		Travel		A		B		C		D		E		F	
	Inch	mm	Inch	mm	Inch	mm	Inch	mm	Inch	mm	Inch	mm	Inch	mm	Inch	mm
12415 04 116	12	300	10	250	2-1/2	64					7-9/16	192				
12415 04 117	14	350	12-1/2	315	3-3/4	96					10-1/16	256	3-3/4	96		
12415 04 118	16	400	16	400	6-1/4	160					11-5/16	288	6-1/4	160		
12415 04 119	18	450	18	450	3-3/4	96	7-9/16	192			13-7/8	352	3-3/4	96	7-9/16	192
12415 04 120	20	500	20	500	3-3/4	96	8-13/16	224			15-1/8	384	5	128	10	256
12415 04 121	22	550	22	550	3-3/4	96	8-13/16	224			17-5/8	448	6-1/4	160	12-9/16	320
12415 04 122	24	600	24	600	5	128	8-13/16	224	16-3/8	416	18-7/8	480	7-9/16	192	13-7/8	352
12415 04 123	26	650	26	650	5	128	11-5/16	288	17-5/8	448	21-7/16	544	7-9/16	192	16-3/8	416
12415 04 124	28	700	28	700	5	128	11-5/16	288	18-7/8	480	22-11/16	576	8-13/16	224	17-5/8	448



Features

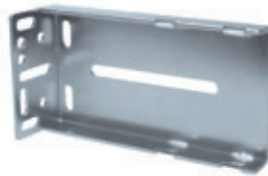
- ▶ Full extension slide
- ▶ Side mount
- ▶ Extremely light, silent & smooth motion with a cushioned out-stop & patented "touch to release" mechanism
- ▶ Drawer will rebound open at least 2/3 – when properly installed
- ▶ Screw mounting system is 32 mm compatible
- ▶ Electrically galvanized zinc plating
- ▶ Lengths: 10" – 28"
- ▶ Height: 1-13/16" (45.7 mm)

- ▶ Side spacing:
 - 1/2" (+ 1/32" – 0")
 - 12.7 mm (+ 0.38 mm – 0 mm)
- ▶ Load capacity: 100 lbs. (tested at 22" length)
- ▶ Packaging: 10 Pairs (PR)/Carton (BX)
- ▶ Available finishes: zinc or black
- ▶ RoHS compliant

Applications

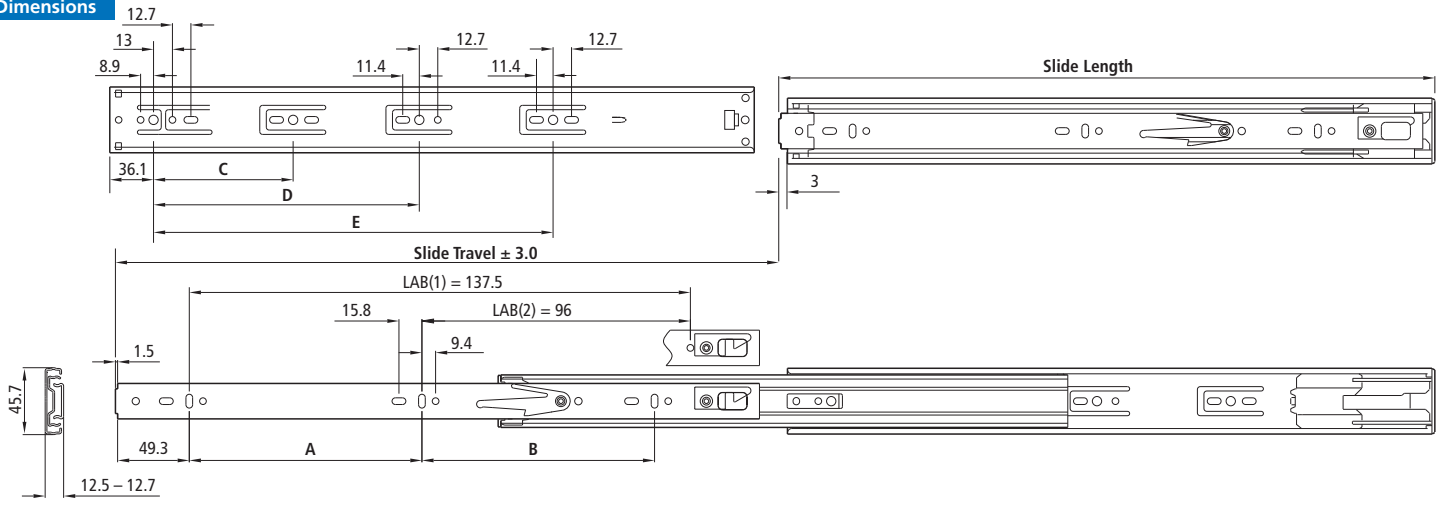
- ▶ Kitchen cabinets
- ▶ Bedroom furniture
- ▶ Office furniture
- ▶ Commercial furniture

Optional Item – for detailed information please refer to page 18 –



Item Number	Face Frame Rear Mounting Bracket
13159 05 098	Finish: Trivalent

Dimensions



Item Number	Length		Travel		A		B		C		D		E	
	Inch	mm	Inch	mm	Inch	mm	Inch	mm	Inch	mm	Inch	mm	Inch	mm
12415 04 125	10	250	9-1/16	230	5-13/32	138			3-3/16	80				
12415 04 126	12	300	12	305	3-3/4	96	3-3/4	96			5-3/8	136		
12415 04 127	14	350	14	356	3-3/4	96	5	128			7-9/16	192		
12415 04 128	16	400	16	406	5	128	5-11/16	144			5	128	9-1/2	240
12415 04 129	18	450	18	457	6-1/4	160	6-1/16	160			5	128	11-3/8	288
12415 04 130	20	500	20	508	7-9/16	192	6-1/16	160			7-9/16	192	13-1/4	336
12415 04 131	22	550	22	559	8-13/16	224	7-9/16	192	8-13/16	224			15-1/8	384
12415 04 132	24	600	24	610	8-13/16	224	8-13/16	224	10-1/16	256			17	432
12415 04 133	26	650	26	660	10-1/16	256	10-1/16	256	11-5/16	288			19-1/8	486
12415 04 134	28	700	28	711	10-1/16	256	12-9/16	320	12-9/16	320			21-1/8	544



Features

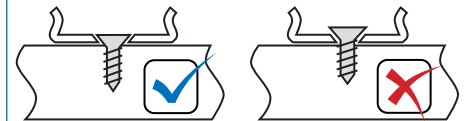
- ▶ Full extension with soft close
- ▶ Side mount
- ▶ Non-handed
- ▶ Anti-rebound
- ▶ "Trigger release" disconnect
- ▶ Silent & smooth motion with 2" soft close stroke
- ▶ Breather tab for self-adjustment – for accommodating variations of side clearance
- ▶ Easy access window – when in a closed position – to reach hole on cabinet member
- ▶ Patented "integrated dampening" mechanism – no hassle related to grease leakage or drawer bounce

- ▶ Screw mounting system is 32 mm compatible – use only flat head screws to mount
- ▶ Electrically galvanized zinc plating
- ▶ Lengths: 14" – 24"
- ▶ Height: 2-9/64" (54.5 mm)
- ▶ Side spacing: 1/2" (12.7 mm)
- ▶ Load capacity: 130 lbs. (tested at 18" length)
- ▶ Packaging: 10 Pairs (PR)/Carton (BX)
- ▶ Available finishes: zinc or black
- ▶ RoHS, ANSI, BIFMA & BHMA compliant

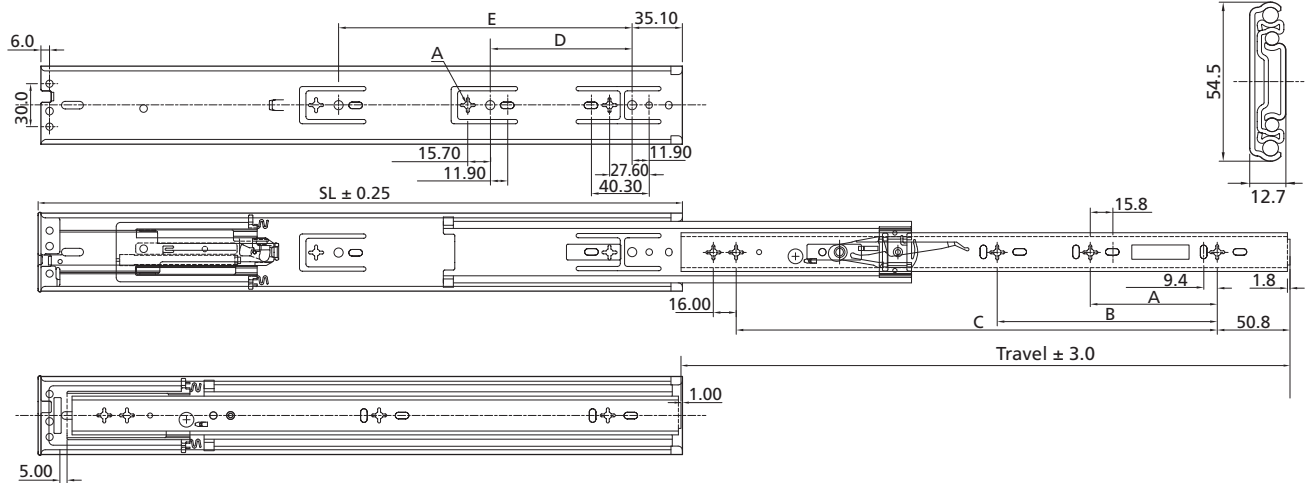
Applications

- ▶ Commercial furniture
- ▶ Mechanical equipment
- ▶ Electronic enclosures
- ▶ File drawers
- ▶ Kitchens

Screws **must** be flushed under the drawer member through the star shaped holes or else it may cause self close to malfunction. Leave the screws loose for final adjustment.



Dimensions



Item Number	Length		Travel		A		B		C		D		E	
	Inch	mm	Inch	mm	Inch	mm	Inch	mm	Inch	mm	Inch	mm	Inch	mm
12516 04 165*	14	350	11	279					9-1/2	240				
12516 04 166*	16	400	13-7/8	352	3-3/4	96			11-3/8	288	5	128		
12516 04 164	18	450	16-3/4	425	6-1/4	160			13-1/4	336	6-1/4	160		
12516 04 163	20	500	20	500	3-3/4	96	7-9/16	192	15-1/8	384	5	128	8-13/16	224
12516 04 149	22	550	22	550	5	128	8-13/16	224	17-5/8	448	5	128	10-1/16	256
12516 04 167*	24	600	24	600	6-1/4	160	10-1/16	256	18-7/8	480	6-1/4	160	12-5/8	320

* – **Special Order Only** – call for current pricing, minimum order quantity, and lead-time.



Features

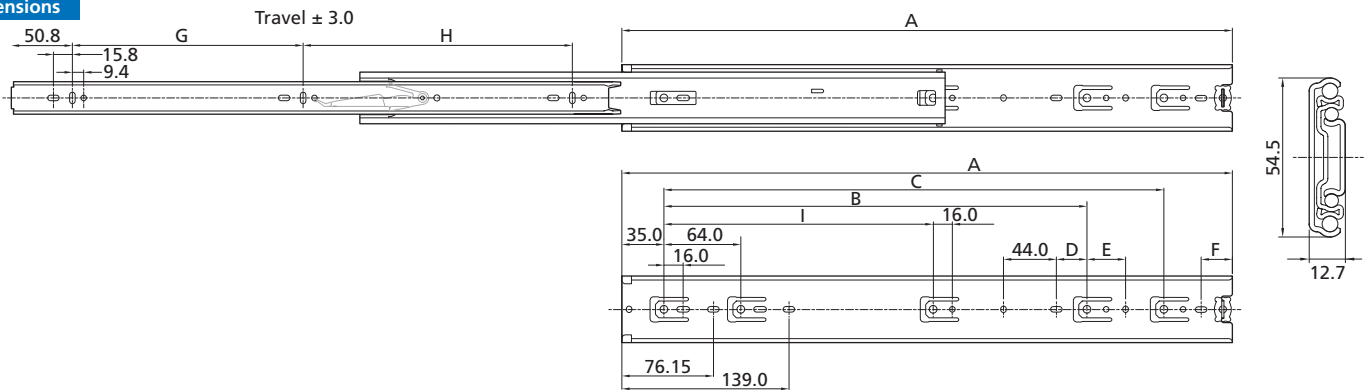
- ▶ Full extension slide
- ▶ Side mount
- ▶ Non-handed
- ▶ Anti-rebound bumper
- ▶ "Trigger release" disconnect
- ▶ Detent-in closed position
- ▶ Breather tab for self-adjustment – for accommodating variations of side clearance
- ▶ Easy access window – when in a closed position – to reach hole on cabinet member

Applications

- ▶ Screw mounting system is 32 mm compatible – use only flat head screws to mount
- ▶ Electrically galvanized zinc plating
- ▶ Lengths: 10" – 32"
- ▶ Height: 2-9/64" (54.5 mm)
- ▶ Side spacing: 1/2" (12.7 mm)
- ▶ Load capacity: 200 lbs. (tested at 24" length)
- ▶ Packaging:
 - 10" – 18" 10 Pairs (PR)/Carton (BX)
 - 20" – 32" 5 Pairs (PR)/Caron (BX)
- ▶ Available finishes: zinc or black
- ▶ RoHS, ANSI, BIFMA & BHMA compliant

- ▶ Commercial furniture
- ▶ Mechanical equipment
- ▶ Electronic enclosures
- ▶ File drawers
- ▶ Kitchens

Dimensions



Item Number	Length		Travel		A		B		C		D		E		F		G		H		I	
	Inch	mm	Inch	mm	Inch	mm	Inch	mm	Inch	mm	Inch	mm	Inch	mm	Inch	mm	Inch	mm	Inch	mm	Inch	mm
11517 04 150	10	250	10	254	10	254											6-5/8	169			6-5/16	160
11517 04 151	12	300	12	305	12	305											3-3/4	96	5	128	8-13/16	224
11517 04 152	14	350	14	356	14	356									1-13/16	46	5	128	5	128	8-13/16	224
11517 04 153	16	400	16	406	16	406	11-1/4	288							1-5/16	33	6-5/16	160	6-5/16	160	8-13/16	224
11517 04 154	18	450	18	457	18	457	13-7/8	352			1	25	1-1/4	32			6-5/16	160	7-9/16	192	8-13/16	224
11517 04 155	20	500	20	508	20	508	13-7/8	352	16-3/8	416	1	25	1-1/4	32			7-9/16	192	8-13/16	224	8-13/16	224
11517 04 156	22	550	22	559	22	559	13-7/8	352	16-3/8	416	1	25	1-1/4	32	2-1/4	58	8-13/16	224	10-1/16	256	8-13/16	224
11517 04 157	24	600	24	610	24	610	13-7/8	352	18-7/8	480	1	25	1-1/4	32	1-13/16	45	10-1/16	256	10-1/16	256	8-13/16	224
11517 04 158	26	650	26	660	26	660	13-7/8	352	21-3/8	544	1	25	1-1/4	32			10-1/16	256	12-9/16	320	8-13/16	224
11517 04 159	28	700	28	711	28	711	13-7/8	352	21-3/8	544	1	25	1-1/4	32	3-1/4	82	10-1/16	256	13-7/8	352	8-13/16	224
11517 04 160	30	750	30	750	30	762	16-3/8	416	26-15/32	672	1	25	1-1/4	32			11-3/8	288	15-1/16	384	8-13/16	224
11517 04 161	32	800	32	813	32	813	16-3/8	416	26-15/32	672	1	25	1-1/4	32	2-13/16	56	12-9/16	320	15-1/16	384	8-13/16	224



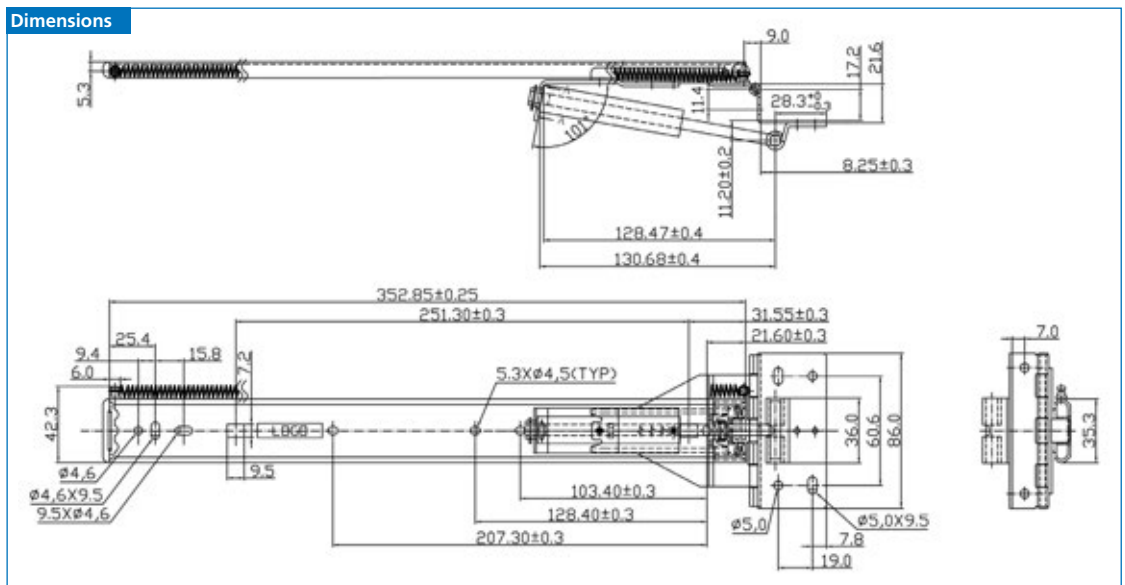
Features

- ▶ Top mount
- ▶ Built-in hinge for 3/4" panels
- ▶ Allows for the cabinet door to swing up and open, followed by the door concealing itself above the cabinet
- ▶ Hydraulic dampers allow the cabinet door to soft close
- ▶ Electrically galvanized zinc plating
- ▶ Length: 14" (350 mm)
- ▶ Height: 1-3/8" (35.3 mm)
- ▶ Load capacity: 50 lbs. (22 kg)
- ▶ Packaging: 5 pairs/box

Applications

- ▶ Space saving solution for kitchen or bathroom cabinets

Item Number	Slide Length	
	Inch	mm
11351 04 060	14	350

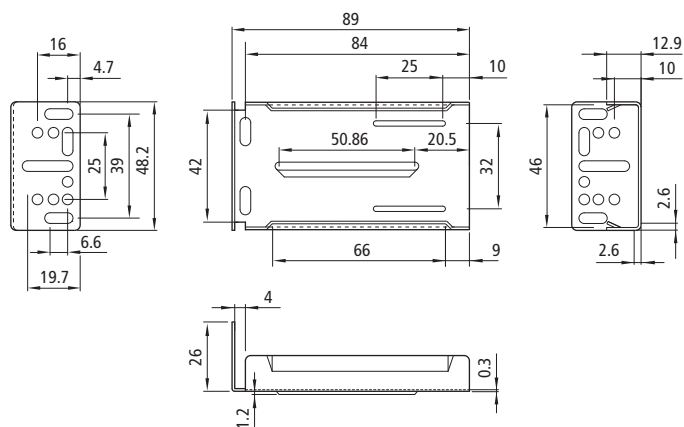


Face Frame Rear Mounting Bracket



Item Number	Face Frame Rear Mounting Bracket
13159 05 082	for DS4634 & NJ-31733
13159 05 098	for NJ-35D65 & NJ-38D58

Dimensions



Features

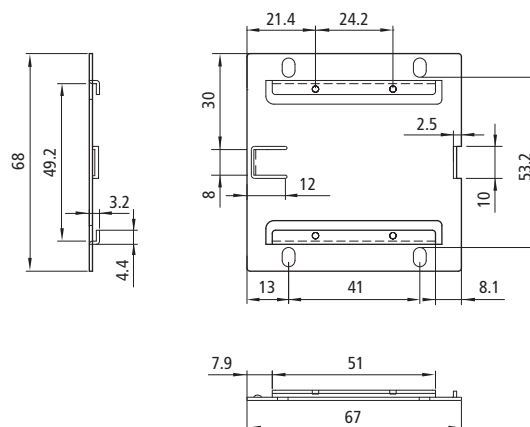
- ▶ Allows the rear mounting of slides in cabinets with face frame
- ▶ Suitable for slides with a profile height of: 1-13/16" (45.7 mm)

Adjustable Plate



Item Number	Adjustable Plate
13159 05 086	Finish: Trivalent

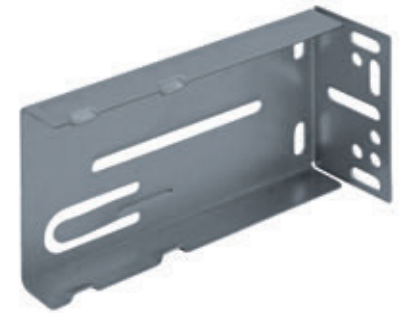
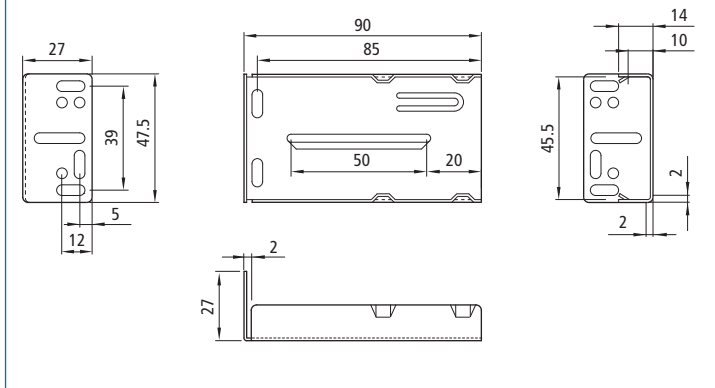
Dimensions



Features

- ▶ Mounting of face frame brackets with a horizontal adjustment range of 1-3/8" (35 mm)
- ▶ Easy slide-in connection of brackets

Dimensions



Item Number	Face Frame Rear Mounting Bracket
13159 02 271	Finish: Galvanized steel

Features

- ▶ Non-handed
- ▶ Allows the rear mounting of slides in cabinets with face frame
- ▶ Suitable for the medium-duty slide (page 12) with a profile height of: 1-49/64" (45 mm)

Your source for information & services. Besides our complete Product Range we offer various information and services on our website for you. Here is an overview with direct links to the respective areas:

Online Catalog

Flip through this Catalog online and take advantage of the comfort features like searching, bookmarking, downloading etc.

» <http://catalog.usfutaba.com>



News Section

Be always up to date: find interesting reports, news and trends around the furniture industry in the news section of our website:

» <https://www.usfutaba.com/news/>



Find out more and be up to date:

» www.usfutaba.com

Conversion kg = lbs + oz.

kg	lbs	oz.
0.1	0	31/2
0.2	0	7
0.3	0	101/2
0.4	0	14
0.454	1	0
0.5	1	11/2
0.6	1	5
0.7	1	83/4
0.8	1	121/4
0.9	1	153/4
0.908	2	0
1.0	2	31/4
1.1	2	63/4
1.2	2	101/4
1.3	2	133/4
1.4	3	11/4
1.5	3	43/4
2.0	4	61/2
2.5	5	8
3.0	6	93/4
3.5	7	111/4
4.0	8	13
4.5	9	141/2
4.54	10	0
5.0	11	1/4
6.0	13	31/2
7.0	15	63/4
8.0	17	10
9.0	19	131/4
9.08	20	0
10	22	1/2
20	44	3/4
30	66	11/4
40	88	13/4
50	110	2

Get in contact with us!

We stand ready to be of service to you: Represented on both coasts and available 12 hours a day, we are a business partner you can rely on. Customer Service means more to us than just shipping merchandise.

We are available to answer your technical questions and encourage your input from the field. U.S. Futaba, Inc. is very interested in how we can help you develop a larger market share with quality products that your customers demand. Please let us know your ideas so we can help you build a stronger base and a solid future together.

Business Hours

From 8:00 a.m. to 5:00 p.m., Monday through Friday

West Coast Headquarters & Warehouse

2901 West Garry Ave. · Santa Ana, CA 92704
Phone (800) 821-4007 · Fax (714) 751-2366

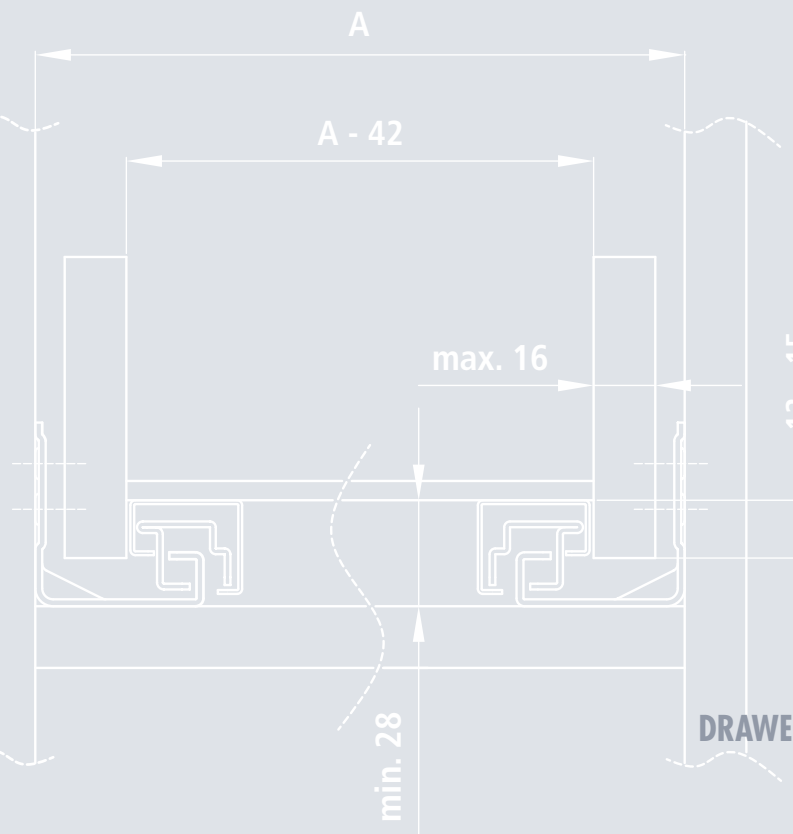
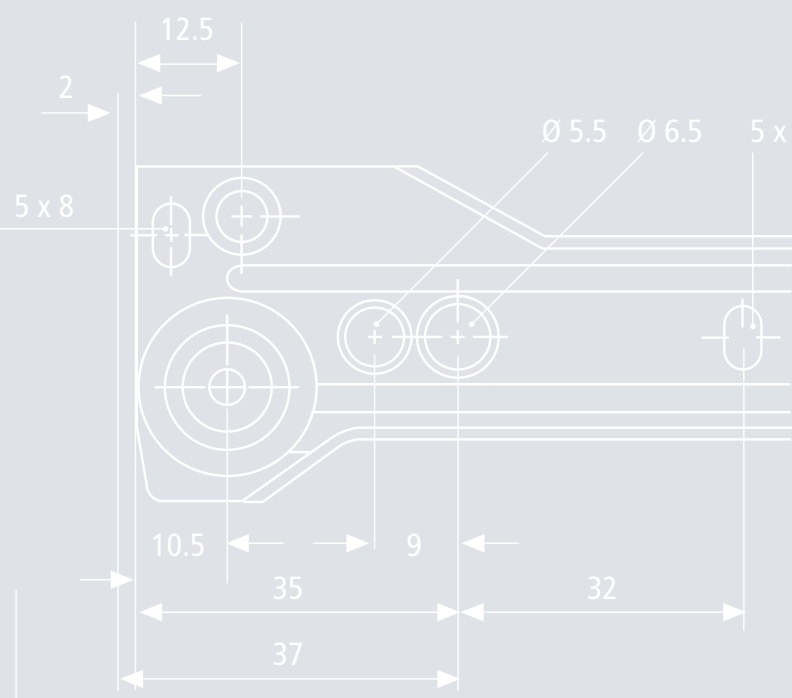
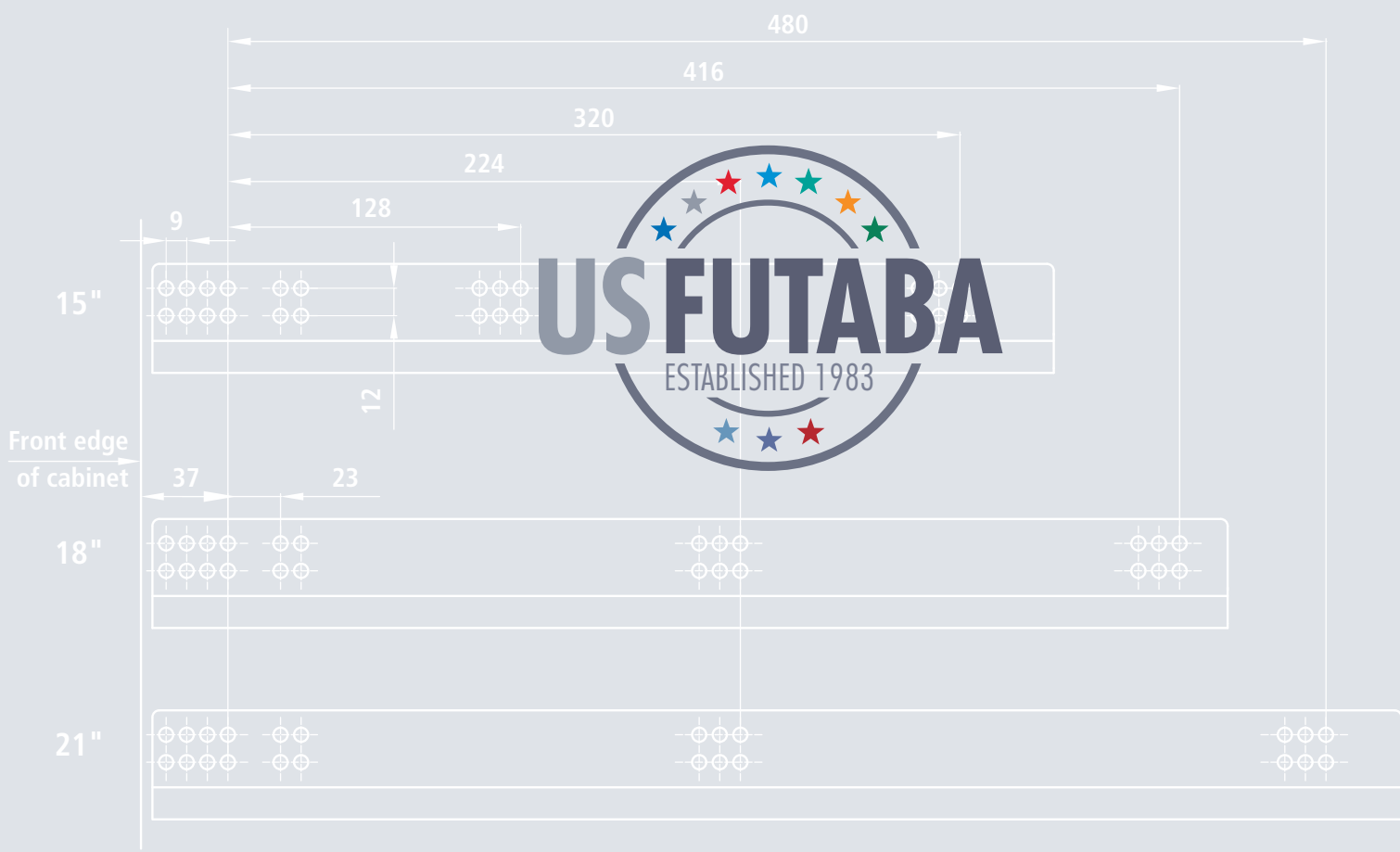
East Coast Branch

525 Byron Street, Suite C. · Chesapeake, VA 23320
Phone (877) 293-0584 · Fax (757) 549-9794

» email: sales@usfutaba.com

Conversion Inch - Millimeter

Fraction	Decimal	Millimeter
1/64	.015625	.39668
1/32	.03125	.79375
3/64	.046875	1.19063
1/16	.0625	1.58750
5/64	.078125	1.98438
3/32	.09375	2.38125
7/64	.109375	2.77813
1/8	.125	3.17500
9/64	.140625	3.57188
5/32	.15625	3.9687
11/64	.171875	4.36563
3/16	.1875	4.7625
13/64	.203125	5.15938
7/32	.21875	5.55625
15/64	.234375	5.95313
1/4	.250	6.3500
17/64	.265625	6.74688
9/32	.28125	7.14375
19/64	.296875	7.54063
5/16	.3125	7.93750
21/64	.328125	8.33438
11/32	.34375	8.73125
23/64	.359375	9.12813
3/8	.375	9.5250
25/64	.390625	9.92188
13/32	.40625	10.31875
27/64	.421875	10.71563
7/16	.4375	11.11250
29/64	.453125	11.50938
15/32	.46875	11.90625
31/64	.48375	12.30313
1/2	.500	12.700
33/64	.515625	13.09688
17/32	.53125	13.49375
35/64	.546875	13.89063
9/16	.5625	14.28750
37/64	.578125	14.68438
19/32	.59375	15.08125
39/64	.609375	15.47813
5/8	.625	15.87500
41/64	.640625	16.27188
21/32	.65625	16.66875
43/64	.671575	17.06563
11/16	.6875	17.46250
45/64	.703125	17.85938
23/32	.71875	18.25625
47/64	.734375	18.65312
3/4	.750	19.0500
49/64	.765625	19.44688
25/32	.78125	19.84375
51/64	.796875	20.24063
13/16	.8125	20.63750
53/64	.828125	21.03438
27/32	.84375	21.43125
55/64	.859375	21.8281
7/8	.875	22.22500
57/64	.890625	22.62188
29/32	.90625	23.01875
59/64	.921875	23.41563
15/16	.9375	23.81250
61/64	.953125	24.2093
31/32	.96875	24.60625
63/64	.984375	25.00313
1	1.000	25.4000



02
DRAWER SOLUTIONS

Concealed Undermount Drawer Slides



Item Number	Drawer Length		Slide Length		Inside Drawer Depth (Min. Max.)					
	Inch	mm	Inch	mm	Inch	Min.	mm	Inch	Max.	mm
12945 02 201	9	229	10-15/64	260	10-53/64	275	11-13/16	300		
12945 02 202	12	305	12-9/16	319	13-5/16	338	14-9/64	363		
12945 02 203	15	381	15-5/16	389	16-1/16	408	17-3/64	433		
12945 02 204	18	457	18-5/16	465	19-1/16	484	20-3/64	509		
12945 02 205	21	533	21-19/64	541	22-3/64	560	23-1/32	585		
12945 02 206	24	610	24-1/4	616	25	635	25-63/64	660		

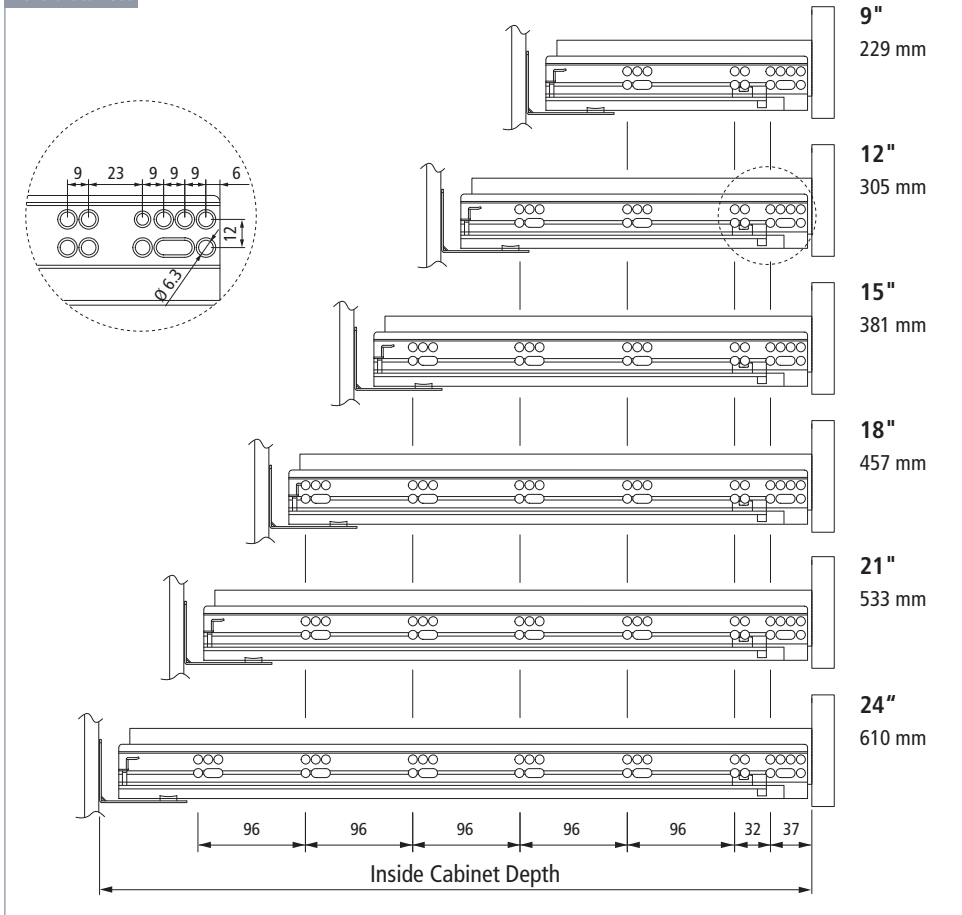
Features

- » Full extension
- » Fully concealed
- » Integrated soft close mechanism
- » Lever release disconnect
- » Galvanized steel
- » Supports 1-D, 2-D, & 3-D clips
- » For 1/2" – 5/8" drawer material
- » Setback: 5/32" (4 mm)
- » Lengths: 9" – 24"
- » Load capacity: 77 lbs
- » Packaging: 6 pairs/box
- » Certified for 50,000 cycle tests

Applications

- » Face frame cabinets
- » Frameless cabinets
- » Kitchen cabinets
- » Bedroom furniture
- » Commercial furniture

Hole distances



1-Dimensional Front Locking Device

Features

- ▶▶ For concealed undermounts only
- ▶▶ Tool-less adjustment:
 - Height: +3 mm
- ▶▶ Black polypropylene (PP) – heat resistant, low density & high strength
- ▶▶ Packaging: 200 pairs/box

Item Number	Description
13220 12 280	1-D Front Locking Device (L/R)

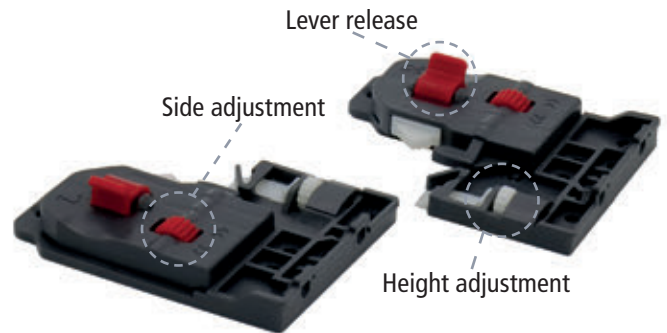


2-Dimensional Front Locking Device

Features

- ▶▶ For concealed undermounts only
- ▶▶ Tool-less adjustments:
 - Height: +3 mm
 - Left or right: ± 1.5 mm
- ▶▶ Black polypropylene (PP) – heat resistant, low density & high strength
- ▶▶ Packaging: 200 pairs/box

Item Number	Description
13220 19 281	2-D Front Locking Device (L/R)

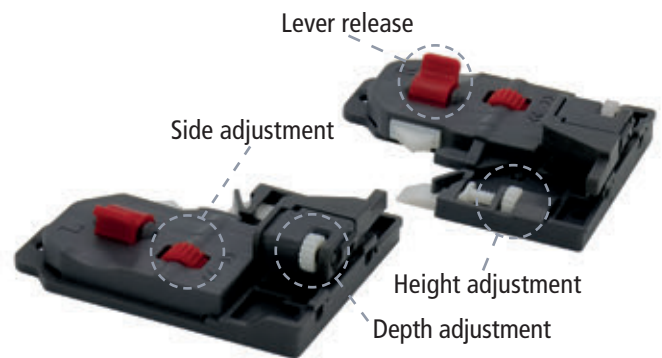


3-Dimensional Front Locking Device

Features

- ▶▶ For concealed undermounts only
- ▶▶ Tool-less adjustments:
 - Height: +3 mm
 - Left or right: ± 1.5 mm
 - Depth: +3 mm forward
- ▶▶ Black polypropylene (PP) – heat resistant, low density & high strength
- ▶▶ Packaging: 200 pairs/box

Item Number	Description
13220 19 282	3-D Front Locking Device (L/R)



Rear Face Frame Bracket

Features

- ▶▶ Galvanized steel
- ▶▶ Non-handed
- ▶▶ Packaging: 200 pairs/box

Item Number	Description
13159 02 270	Rear Face Frame Bracket (Pair)



Synchronized Concealed Undermount Drawer Slides

02



Item Number	Drawer Length		Slide Length		Inside Drawer Depth (Min. Max.)					
	Inch	mm	Inch	mm	Inch	Min.	mm	Inch	Max.	mm
12945 02 211	12	305	12-9/16	319	13-5/16	338		14-9/64	363	
12945 02 212	15	381	15-5/16	389	16-1/16	408		17-3/64	433	
12945 02 213	18	457	18-5/16	465	19-1/16	484		20-3/64	509	
12945 02 214	21	533	21-19/64	541	22-3/64	560		23-1/32	585	
12945 02 215	24	610	24-1/4	616	25	635		25-63/64	660	

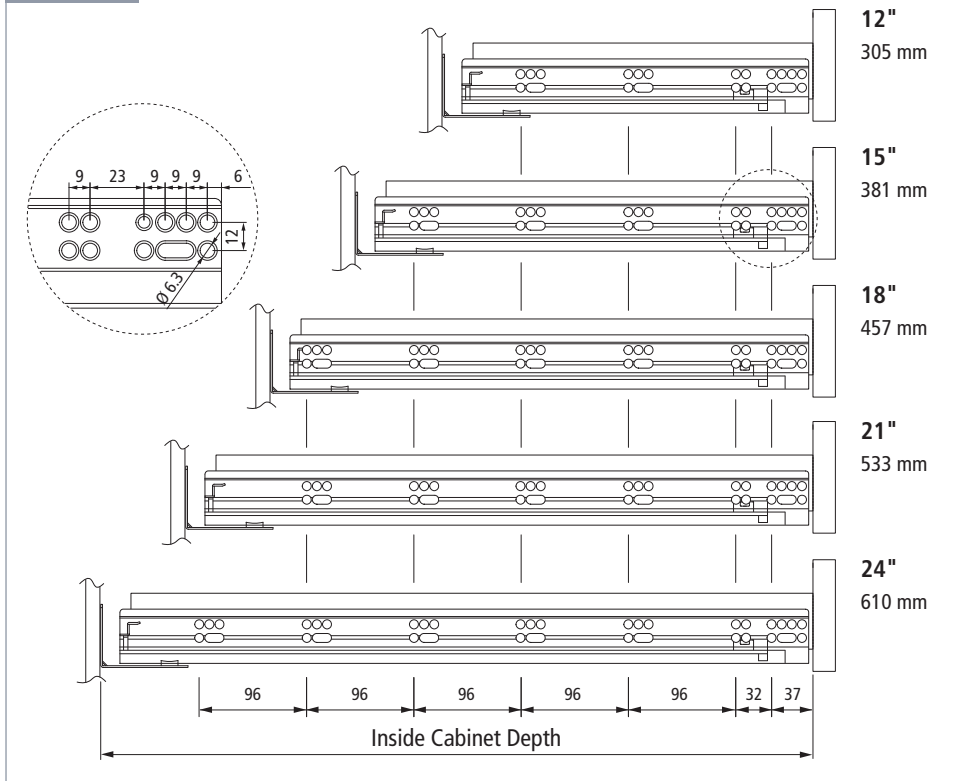
Features

- » Synchronized undermount benefits:
 - Smoother & quieter operation
 - Less racking in wider drawers
 - Longevity
- » Full extension
- » Fully concealed
- » Integrated soft close mechanism
- » Lever release disconnect
- » Galvanized steel
- » Supports 2-D & 3-D clips
- » For 1/2" – 5/8" drawer material
- » Setback: 5/32" (4 mm)
- » Lengths: 12" – 24"
- » Load capacity: 77 lbs
- » Packaging: 6 pairs/box
- » Certified for 50,000 cycle tests

Applications

- » Face frame cabinets
- » Frameless cabinets
- » Kitchen cabinets
- » Bedroom furniture
- » Commercial furniture

Hole distances



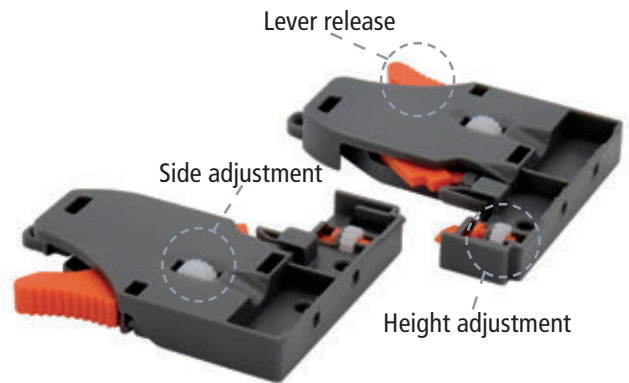
24

2-Dimensional Front Locking Device

Features

- ▶ For synchronized undermounts only
- ▶ Tool-less adjustments:
 - Height: +3 mm
 - Left or right: ± 1.5 mm
- ▶ Gray polypropylene (PP) – heat resistant, low density & high strength
- ▶ Packaging: 200 pairs/box

Item Number	Description
13220 19 286	2-D Front Locking Device (L/R)

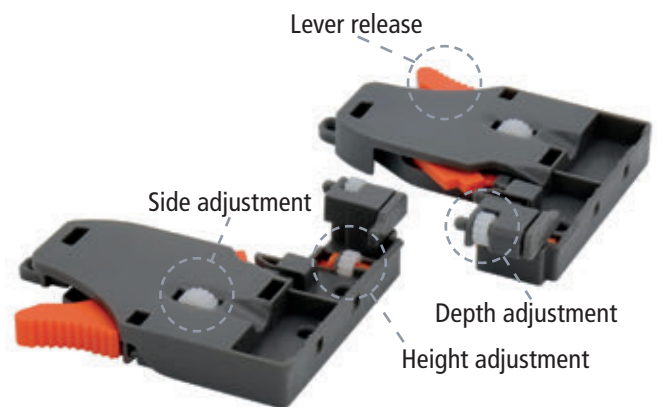


3-Dimensional Front Locking Device

Features

- ▶ For synchronized undermounts only
- ▶ Tool-less adjustments:
 - Height: +3 mm
 - Left or right: ± 1.5 mm
 - Depth: +3 mm forward
- ▶ Gray polypropylene (PP) – heat resistant, low density & high strength
- ▶ Packaging: 200 pairs/box

Item Number	Description
13220 19 287	3-D Front Locking Device (L/R)



Rear Face Frame Bracket

Features

- ▶ Galvanized steel
- ▶ Non-handed
- ▶ Packaging: 200 pairs/box

Item Number	Description
13159 02 270	Rear Face Frame Bracket (Pair)





Features

- ▶▶ Single extension system
- ▶▶ Self-closing
- ▶▶ Single-wall steel drawer walls
- ▶▶ Flexible 2-dimensional front adjustment
- ▶▶ Double out-stop safety design
- ▶▶ Smooth rolling mechanism
- ▶▶ Locked in position while extended
- ▶▶ Includes RTA assembly
- ▶▶ Heights:
 - 3-3/8" (85 mm)
 - 4-9/16" (117 mm)
 - 5-7/8" (149 mm)

Find hole spacing online:



catalog.usfutaba.com/drawerdimensions/#2

Height: 3-3/8" (85 mm)

Item Number	Drawer Length		Min. Internal Cabinet Depth		Loss of Extension	
	Inch	mm	Inch	mm	Inch	mm
16313 82 001	10-5/8	270	11-7/8	303	3-3/8	85
16313 82 002	13-13/16	350	13-7/8	353	3-3/8	85
16313 82 003	15-3/4	400	15-7/8	403	3-3/8	85
16313 82 004	17-3/4	450	17-13/16	453	3-3/4	95
16313 82 005	19-11/16	500	19-13/16	503	4-1/16	102
16313 82 006	21-5/8	550	21-13/16	553	4-5/16	110

Height: 4-9/16" (117 mm)

Item Number	Drawer Length		Min. Internal Cabinet Depth		Loss of Extension	
	Inch	mm	Inch	mm	Inch	mm
16413 82 012	13-13/16	350	13-7/8	353	3-3/8	85
16413 82 013	15-3/4	400	15-7/8	403	3-3/8	85
16413 82 014	17-3/4	450	17-13/16	453	3-3/4	95
16413 82 015	19-11/16	500	19-13/16	503	4-1/16	102
16413 82 016	21-5/8	550	21-13/16	553	4-5/16	110

Height: 5-7/8" (149 mm)

Item Number	Drawer Length		Min. Internal Cabinet Depth		Loss of Extension	
	Inch	mm	Inch	mm	Inch	mm
16513 82 021	13-13/16	350	13-7/8	353	3-3/8	85
16513 82 022 ^(D)	15-3/4	400	15-7/8	403	3-3/8	85
16513 82 023	17-3/4	450	17-13/16	453	3-3/4	95
16513 82 024	19-11/16	500	19-13/16	503	4-1/16	102
16513 82 025	21-5/8	550	21-13/16	553	4-5/16	110

Full Extension, Impaz Single-Wall Metal Drawer System



Features

- ▶▶ Full extension system
- ▶▶ Self-closing
- ▶▶ Single-wall steel drawer walls
- ▶▶ Flexible 2-dimensional front adjustment
- ▶▶ Double out-stop safety design
- ▶▶ Smooth rolling mechanism
- ▶▶ Locked in position while extended
- ▶▶ Includes RTA assembly
- ▶▶ Heights:
 - 3-3/8" (85 mm)
 - 4-9/16" (117 mm)
 - 5-7/8" (149 mm)

Find hole spacing online:



catalog.usfutaba.com/drawerdimensions/#3

Height: 3-3/8" (85 mm)

Item Number	Drawer Length		Min. Internal Cabinet Depth		Loss of Extension	
	Inch	mm	Inch	mm	Inch	mm
16315 82 007	13-13/16	350	14-1/16	358	1/2	13
16315 82 008	15-3/4	400	14-1/16	408	1/2	13
16315 82 009	17-3/4	450	18	458	1/2	13
16315 82 010	19-11/16	500	20	508	1/2	13
16315 82 011	21-5/8	550	22	558	1/2	13

Height: 4-9/16" (117 mm)

Item Number	Drawer Length		Min. Internal Cabinet Depth		Loss of Extension	
	Inch	mm	Inch	mm	Inch	mm
16415 82 017	13-13/16	350	14-1/16	358	1/2	13
16415 82 037	15-3/4	400	14-1/16	408	1/2	13
16415 82 018	17-3/4	450	18	458	1/2	13
16415 82 019	19-11/16	500	20	508	1/2	13
16415 82 020	21-5/8	550	22	558	1/2	13

Height: 5-7/8" (149 mm)

Item Number	Drawer Length		Min. Internal Cabinet Depth		Loss of Extension	
	Inch	mm	Inch	mm	Inch	mm
16515 82 027	13-13/16	350	14-1/16	358	1/2	13
16515 82 028	19-11/16	500	20	508	1/2	13
16515 82 029	21-5/8	550	22	558	1/2	13

(D) – Discontinued Item – available only while supplies last. Stock is limited so call for availability, quantities, and potential special pricing.

Slide-On Front Mounting Bracket

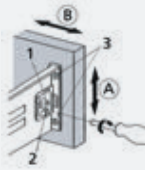
Item Number	Left	Right	Description	Packaging
17139 04	023	024	Screw-on	250 pcs
17139 04	020	021	Press dowel	250 pcs

Press dowel size = 10.5 mm



Adjustment

A. Height adjustment:
Loosen screw 1 slightly.
Adjust accentric screw 2.
Adjustment range ± 1.8 mm.
Retighten screw 1.

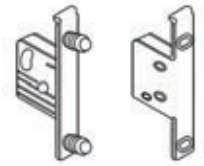


B. Side adjustment:
Loosen screw 2 slightly.
Move front into required position.
Adjustment range ± 1.5 mm.
Retighten screw 3.

Clip-On Front Mounting Bracket

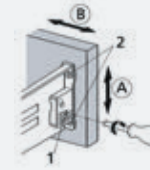
Item Number	Left	Right	Description	Packaging
17139 04	038	039	Screw-on	250 pcs
17139 04	036	037	Press dowel	250 pcs

Press dowel size = 10.5 mm



Adjustment

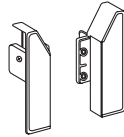
A. Height adjustment:
Adjust accentric screw 1.
Adjustment range ± 1.8 mm.



B. Side adjustment:
Loosen screw 2 slightly.
Move front into required position.
Adjustment range ± 1.5 mm.

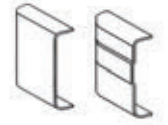
Internal Rollout Shelf Brackets (L/R)

Item Number	Drawer Length		Packaging
	Inch	mm	
17139 29 022	3-3/8	85	250 pcs
17139 29 027	4-5/8	117	250 pcs



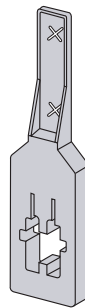
Cover Caps (L/R)

Item Number	Description	Packaging
17339 29 005	For slide-on brackets	250 pcs



Railing Marking Template

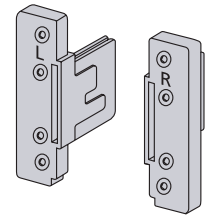
- ▶▶ Assists with marking for the single & double railing
- ▶▶ Packaged individually



Item Number	Description
91999 00 076	Railing marking template

Drawer Front Jig

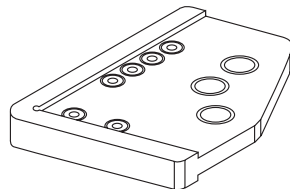
- ▶▶ Sold as a pair – one left & one right
- ▶▶ 6 marking pins included



Item Number	Description
91999 00 075*	Drawer front jig

Drilling Template

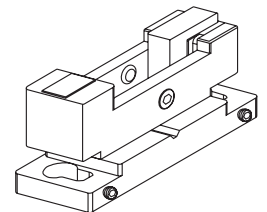
- ▶▶ Assists with marking the drill sites for the bottom & back panel
- ▶▶ Packaged individually



Item Number	Description
91939 00 077	Drilling template

Insertion Ram

- ▶▶ Assists with inserting the press-in front fixing brackets
- ▶▶ Packaged individually



Item Number	Description
91999 00 079	Hand insertion
91999 00 080	Machine insertion

* – Special Order Only – call for current pricing, minimum order quantity, and lead-time.



Item Number	Drawer Length		Min. Internal Cabinet Depth		Loss of Extension	
	Inch	mm	Inch	mm	Inch	mm
14923 82 000	9-13/16	250	9-15/16	253	3-3/8	85
14923 82 001	11-13/16	300	11-7/8	303	3-3/8	85
14923 82 002	13-3/4	350	13-7/8	353	3-3/8	85
14923 82 003	15-3/4	400	15-7/8	403	3-3/8	85
14923 82 004	17-3/4	450	17-13/16	453	3-3/4	95
14923 82 005	19-11/16	500	19-13/16	503	4	102
14923 82 006	21-5/8	550	21-3/4	553	4-5/16	110
14923 82 007	23-5/8	600	23-3/4	603	4-3/4	120
14923 82 008 ^(D)	25-5/8	650	25-3/4	653	4-3/4	120
14923 82 009 ^(D)	27-1/2	700	27-5/8	703	5-3/8	135

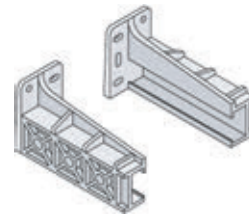
Features

- » Self-closing
- » Double-out stop safety design
- » Locked-in position while extended
- » 32 mm mounting system
- » Lengths: 10" – 28"
- » Thickness: 1.2 mm
- » Load capacity: 100 lbs. (tested at 22" length)
- » Packaging: 25 sets packed
- » Finish: white epoxy
- » Special order finishes: cream, black, or brown

Find hole spacing online:



catalog.usfutaba.com/drawerdimensions/#4



Item Number	Description
17119 29 035	Face Frame Rear Mounting Brackets (Pair)

Single Extension Economy Euro Slide



Applications

- » Kitchen cabinets
- » Bedroom furniture
- » Commercial furniture

Features

- » Self-closing
- » Double-out stop safety design
- » Locked-in position while extended
- » 32 mm mounting system
- » Lengths: 10" – 24"
- » Thickness: 1.2 mm
- » Load capacity: 50 lbs.
- » Finish: white epoxy
- » Special order finishes: cream, black, or brown

Item Number	Item Number	Drawer Length		Min. Internal Cabinet Depth		Loss of Extension	
		Inch	mm	Inch	mm	Inch	mm
Distributor Pack	Industrial Pack						
15921 82 001	15921 82 100	9-7/8	250	9-15/16	253	3-3/8	85
15921 82 002	15921 82 101	11-13/16	300	11-7/8	303	3-3/8	85
15921 82 003	15921 82 102	13-3/4	350	13-7/8	353	3-3/8	85
15921 82 004	15921 82 103	15-3/4	400	15-7/8	403	3-3/8	85
15921 82 005	15921 82 104	17-3/4	450	17-13/16	453	3-3/4	95
15921 82 006	15921 82 105	19-11/16	500	19-13/16	503	4	102
15921 82 007	15921 82 106	21-5/8	550	21-3/4	553	4-5/16	109
15921 82 008	15921 82 107	23-5/8	600	23-3/4	603	4-3/4	119

20 sets, taped in pairs

100 components of each cabinet and drawer members (L/R)

Find hole spacing online:

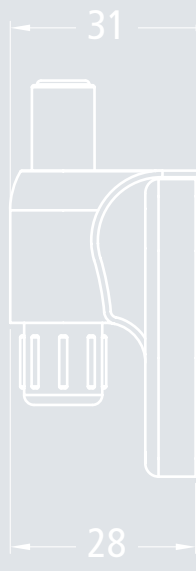
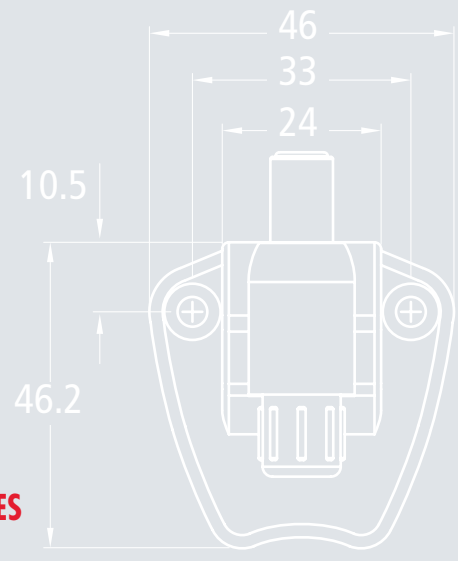
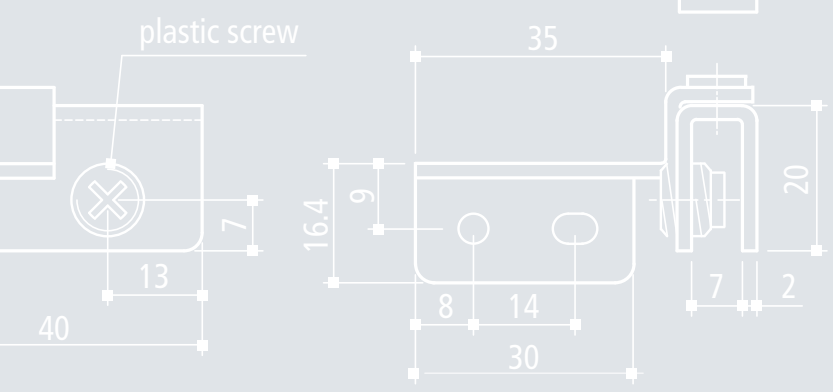
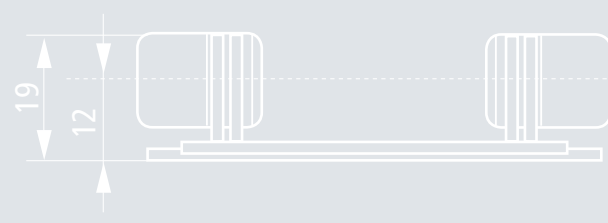
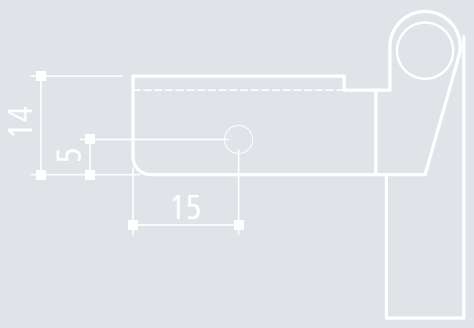
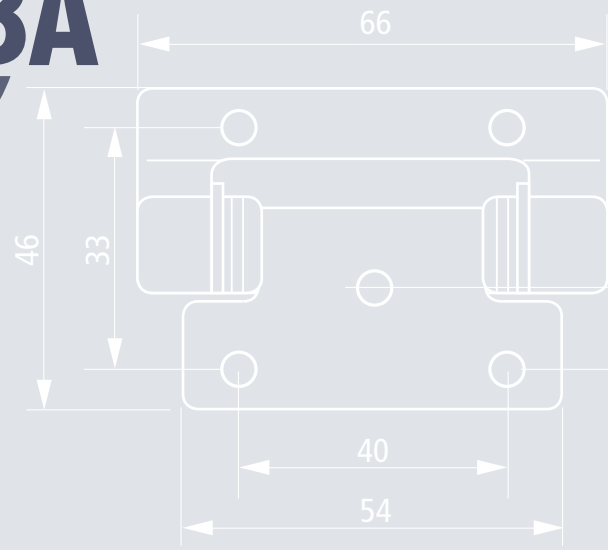
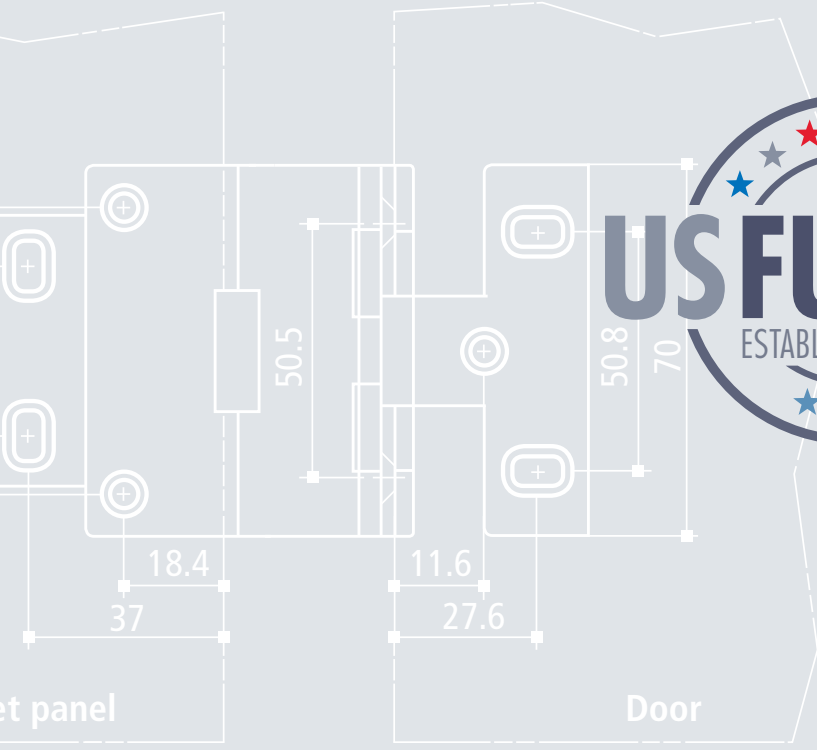


catalog.usfutaba.com/drawerdimensions/#5



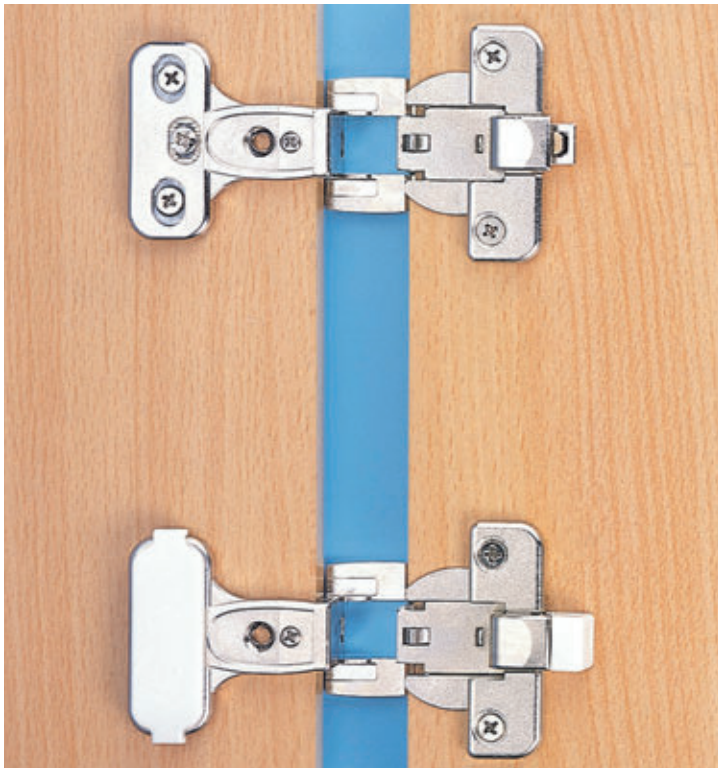
Item Number	Description
17119 29 040	Face Frame Rear Mounting Brackets (Pair)

^(D) – Discontinued Item – available only while supplies last. Stock is limited so call for availability, quantities, and potential special pricing.



03
HINGES

270° Semi-Concealed Hinge



Features

- ▶▶ Clip-on door wing
- ▶▶ 270° door opening
- ▶▶ Spring loaded door catch
- ▶▶ Easy height adjustment
- ▶▶ Zinc diecast
- ▶▶ ANSI/BHMA compliant
- ▶▶ **Note:** for 5/8" overlay use 3 mm plastic spacer – which is included

Applications

- ▶▶ Entertainment centers
- ▶▶ Wardrobe closets
- ▶▶ Office furniture

Thickness Door/Panel 3/4" (19 mm)

Item Number	Finish
24111 52 007	Nickel
24111 44 013*	Black Nickel
24111 55 011*	Brass
24111 41 006*	Antique Brass

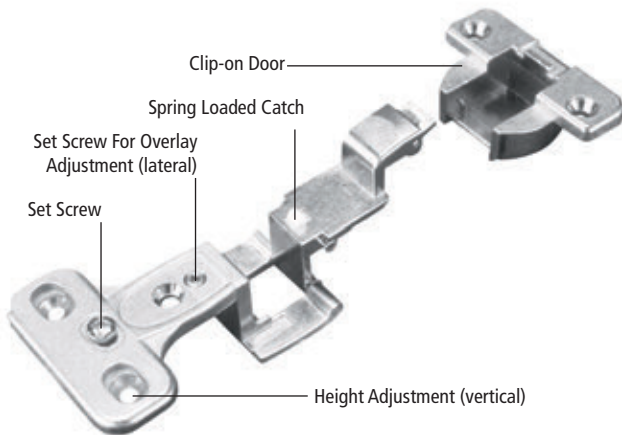
Available by special order

(minimum quantities may apply):

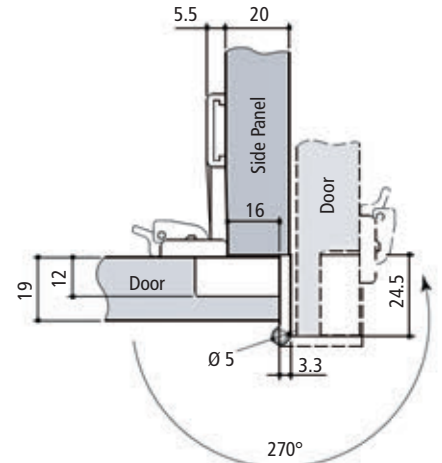
- ▶▶ 5/8" door (16 mm) / 3/4" panel (19 mm)

INSTITUTIONAL HINGE APPLICATIONS

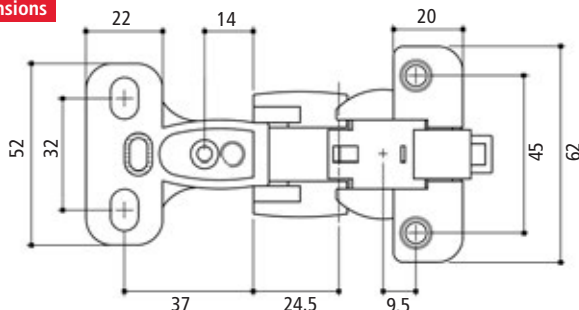
Construction



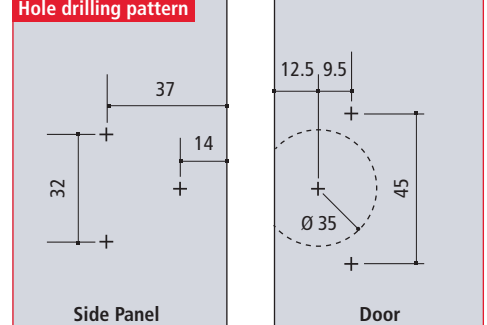
Opening dimensions



Dimensions



Hole drilling pattern



* – Special Order Only – call for current pricing, minimum order quantity, and lead-time.

Features

- ▶ Made in Japan
- ▶ Surface mount
- ▶ 180° opening angle
- ▶ Innovative "torsion" mechanism allows for a fluid movement
- ▶ Holds lid in any position/angle – without assistance from additional hardware
- ▶ 304 stainless steel – provides superior strength & a resistance to heat & corrosion
- ▶ Available in 2 versions: light-duty & medium-duty
- ▶ Screws are not included - #8 pan or round head screw recommended

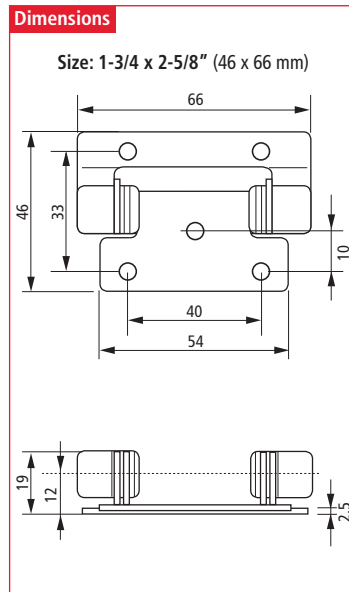
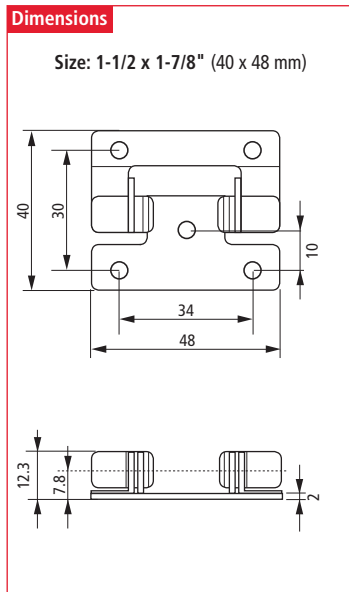
Applications

- ▶ Chests
- ▶ Cigar boxes
- ▶ Jewelry boxes
- ▶ Toy boxes
- ▶ Toolboxes
- ▶ Storage
- ▶ Coffee table
- ▶ Desks
- ▶ RV's
- ▶ Damp environments
- ▶ Marine environments
- ▶ Outdoor environments



Small Version	
Item Number	Finish
24111 56 045	304 Stainless Steel
24111 62 049	Black Nickel (304SS)

Medium Version	
Item Number	Finish
24111 56 064	304 Stainless Steel
24111 62 065	Black Nickel (304SS)



Formula

Determine how many hinges you need

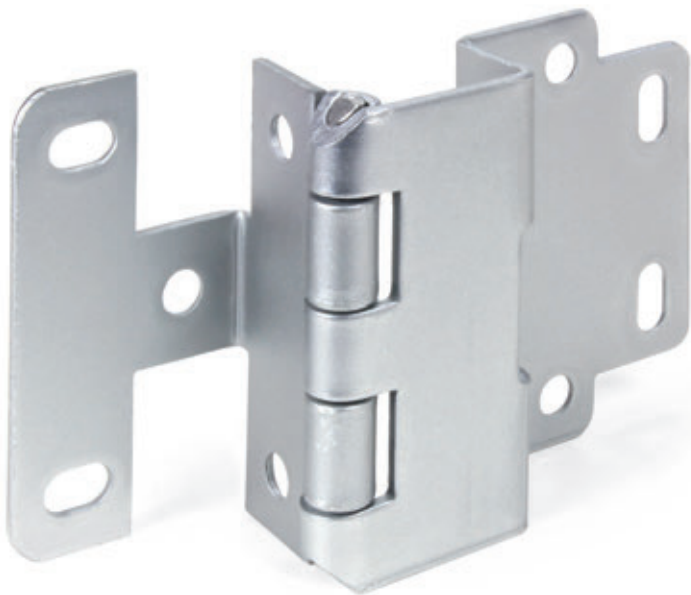
with Inches and lbs.

with mm and kg

	Lid Depth (Inches)	Lid Weight (lbs.)	Minimum quantity of hinges needed (Round up)
Small:	<input type="text"/>	<input type="text"/>	$\times 0.0127 \times \times 3.97 =$ <input type="text"/>
Medium:	<input type="text"/>	<input type="text"/>	$\times 0.0127 \times \times 1.11 =$ <input type="text"/>

	Lid Depth (mm)	Lid Weight (kg)	Minimum quantity of hinges needed (Round up)
	<input type="text"/>	<input type="text"/>	$\div 2000 \times \times 8.75 =$ <input type="text"/>
	<input type="text"/>	<input type="text"/>	$\div 2000 \times \times 2.45 =$ <input type="text"/>

Maximum of 4 hinges recommended



Features

- ▶▶ 5-knuckle hinge
- ▶▶ .11" steel (3 mm)
- ▶▶ Hospital tips
- ▶▶ Slotted holes for adjustment
- ▶▶ 32 mm system for the hole pattern
- ▶▶ Holes are countersunk for #8 screws & euro screws

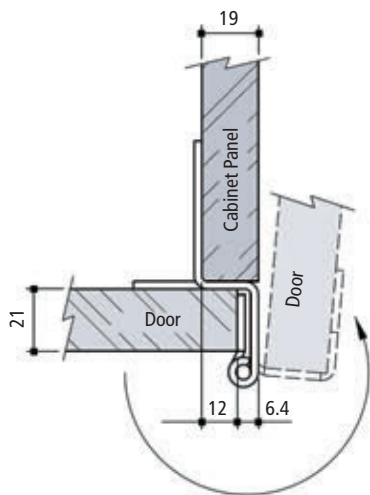
Applications

- ▶▶ Entertainment furniture
- ▶▶ Workstations
- ▶▶ Medical furniture

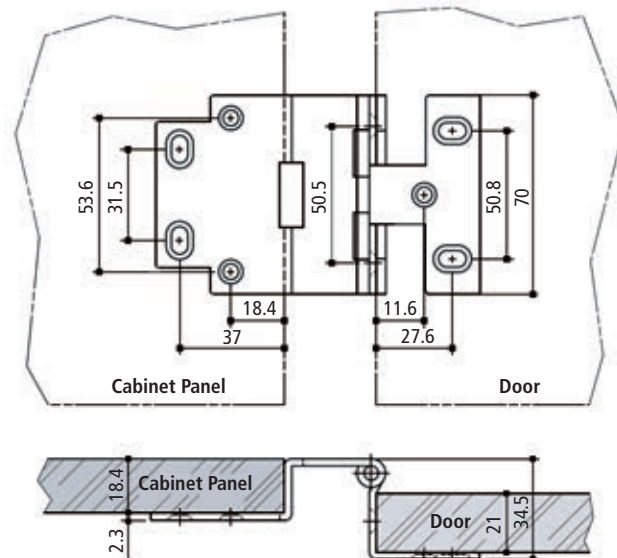
Thickness Door 13/16" (21 mm), Panel 3/4" (19 mm)

Item Number	Finish
24111 75 010	Satin Chrome Plated

Opening dimensions



Dimensions and hole drilling pattern



Features

- ▶ Concealed hinge
- ▶ 180° opening
- ▶ Material: solid brass
- ▶ Finish: brass
- ▶ Special order finishes available:
bronze, nickel, satin chrome,
& brass plated



Item Number	D		H		L		E		F		Weight Capacity	
	Inch	mm	Inch	mm	Inch	mm	Inch	mm	Inch	mm	lbs.	kg
24131 55 021	7/16	10	7/16	11	11/16	17	1/8	3	1/16	2	4.4	2
24131 55 022	1/2	12	1/2	14	13/16	20	3/16	4	1/16	2	8.8	4
24131 55 023	9/16	14	5/8	16	7/8	23	1/8	3	1/8	3	13.2	6
24131 55 024	5/8	16	11/16	17	1	25	1/8	3	1/8	3	22.0	10
24131 55 025	3/4	18	11/16	18	1-1/16	27	1/8	3	1/8	3	24.3	11

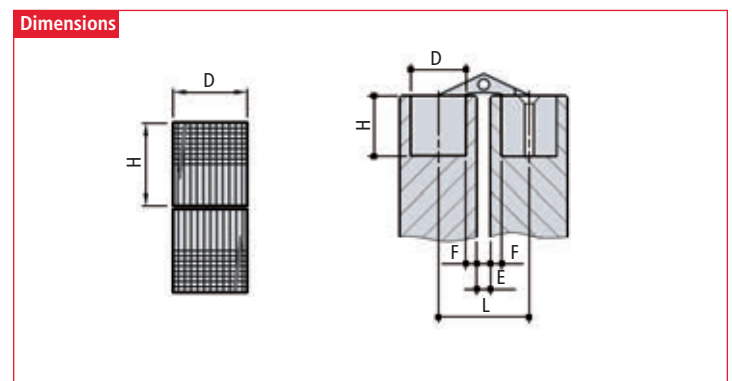
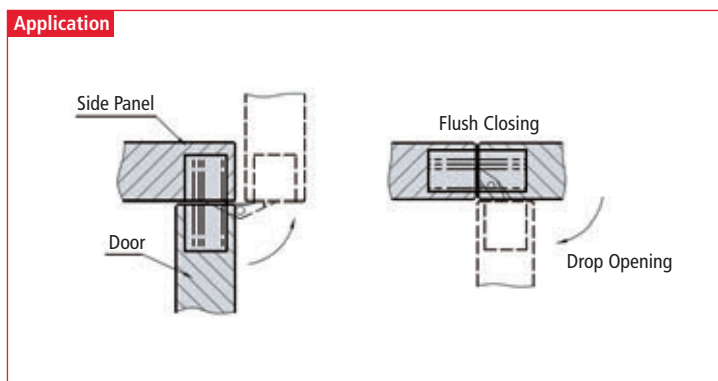
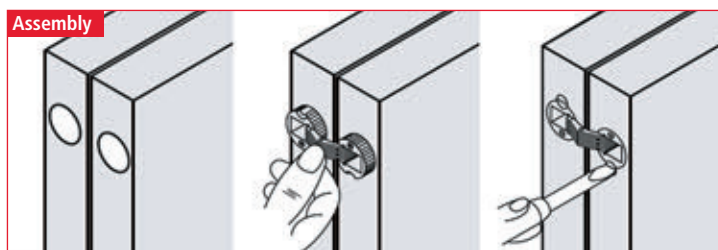


Table Flap-Top Hinge

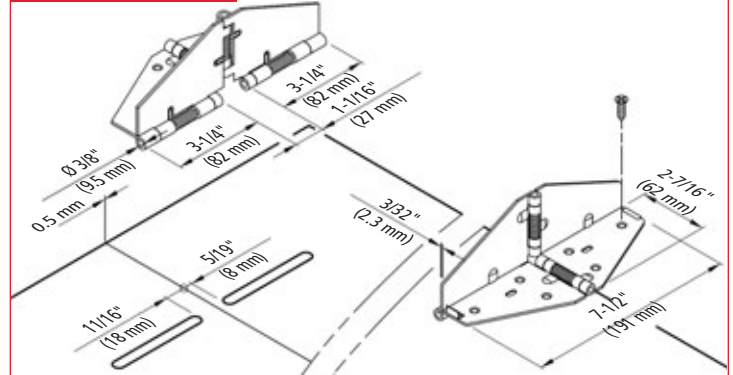


Features

- ▶▶ Steel
- ▶▶ Spring loaded
- ▶▶ Material thickness: 1/16" (1.9 mm)
- ▶▶ Length & width (fully open):
 - L = 7-1/2" x W = 5-1/8"
 - L = 190 mm x W = 130 mm
- ▶▶ Load capacity: 55 lbs.

Item Number	Finish
24113 04 017	Yellow Chromate

Dimensions and assembly



90° Concealed Hinge

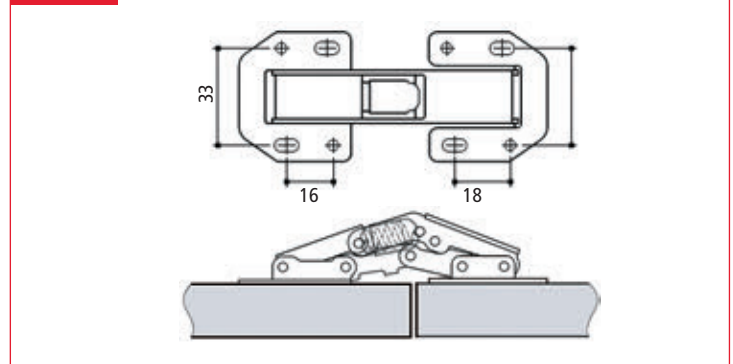


Features

- ▶▶ Steel
- ▶▶ Self-closing
- ▶▶ No boring required
- ▶▶ One hinge can accommodate a variety of overlays
- ▶▶ Door thickness can be up to 13/16" (20 mm)
- ▶▶ Load capacity: 11 lbs.

Item Number	Finish
24111 59 071	Nickel Plated

Dimensions

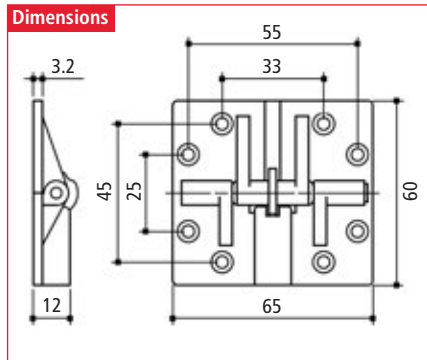


Bi-Fold Hinge

Features

- ▶ Built-in stop
- ▶ Spring action with various tensions
- ▶ Zamak within a plastic housing
- ▶ Length & width (fully open):
 - L = 2-3/8" x W = 2-9/16"
 - L = 60.5 mm x W = 65 mm

Item Number	Finish
24111 12 053	Black



Applications

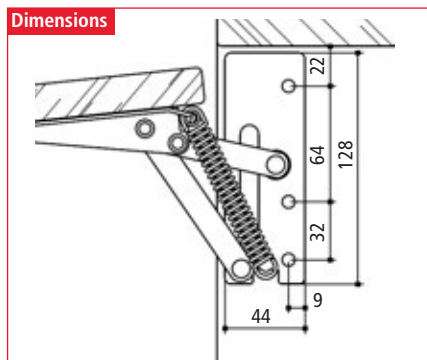
- ▶ Entertainment centers with a folding door

Lift Flap Hinge

Features

- ▶ 75° opening
- ▶ Spring assisted
- ▶ Keyhole mounting for doors
- ▶ Left & right-handed
- ▶ Hardened steel
- ▶ Load capacity: 39 lbs.

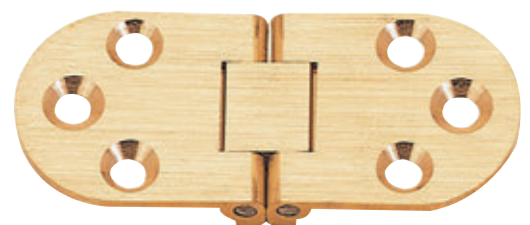
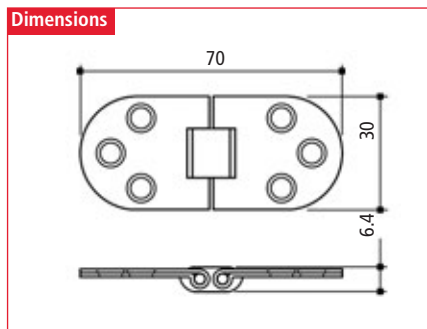
Item Number	Finish
24113 82 020	White Epoxy



Features

- ▶ Solid brass
- ▶ Length & width (fully open):
 - L = 1-3/16" x W = 2-3/4"
 - L = 30 mm x W = 70 mm
- ▶ Finish: brushed brass

Item Number	Finish
24113 66 019	Brushed Brass

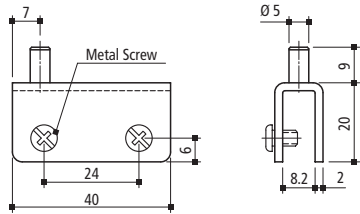


Folding Table Hinge

Glass Door Hinges



Dimensions

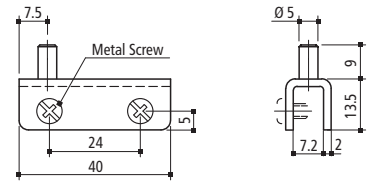


40 x 20 mm · Includes 2 hinges, 2 plates, 4 screws

Item Number	Glass Thickness		Finish
	Inch	mm	
24331 01 050	3/16 - 1/4	4 - 6	Black Zinc Plated
24331 55 059 ^(D)	3/16 - 1/4	4 - 6	Brass
24331 46 056	3/16 - 1/4	4 - 6	Chrome



Dimensions



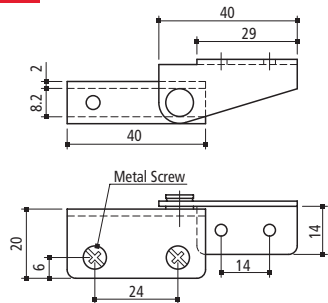
40 x 13.5 mm · Includes 2 hinges, 2 plates, 4 screws

Item Number	Glass Thickness		Finish
	Inch	mm	
24331 01 048	3/16 - 1/4	4 - 6	Black Zinc Plated
24331 55 058	3/16 - 1/4	4 - 6	Brass
24331 46 055	3/16 - 1/4	4 - 6	Chrome

Inlay Glass Door Hinges



Dimensions

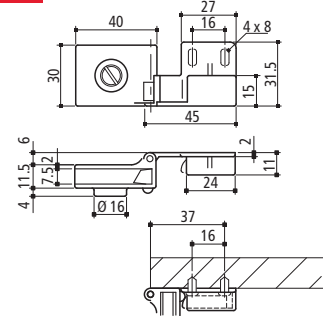


40 x 20 mm · Includes 2 hinges, 4 screws

Item Number	Glass Thickness		Finish
	Inch	mm	
24311 01 062	3/16 - 1/4	4 - 6	Black Zinc Plated
24311 55 040	3/16 - 1/4	4 - 6	Brass
24311 46 057	3/16 - 1/4	4 - 6	Chrome



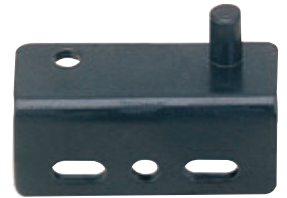
Dimensions



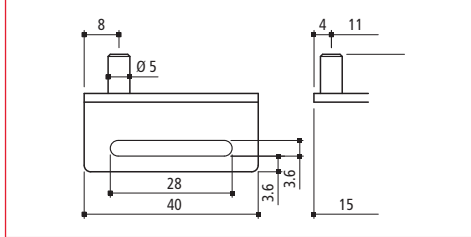
Self-Closing · Includes 2 hinges, 2 rubber pads, 2 screws

Item Number	Glass Thickness		Finish
	Inch	mm	
24311 01 030	max. 3/16	max. 5	Black Zinc Plated
24311 55 043	max. 3/16	max. 5	Brass
24311 46 036	max. 3/16	max. 5	Chrome

^(D) – Discontinued Item – available until remaining stocks are sold out. Call for availability, quantities and potential special pricing.



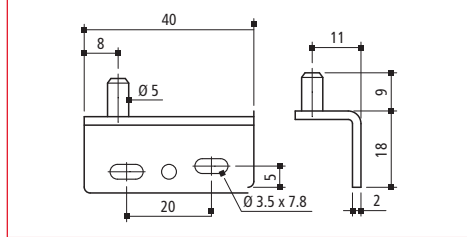
Dimensions



▶▶ Weight capacity: 11 lbs. (5 kg)

5 mm Inset			
Item Number	Pin Ø Dia.		Type
	Inch	mm	
24111 01 003*	3/16	5	right

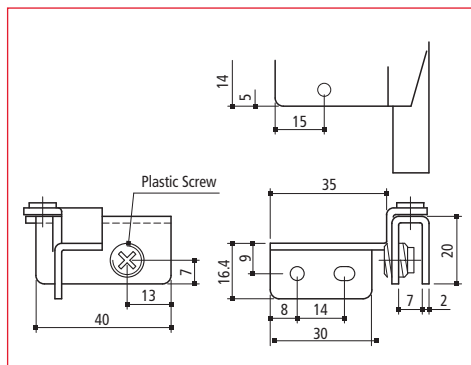
Dimensions



▶▶ Weight capacity: 11 lbs. (5 kg)

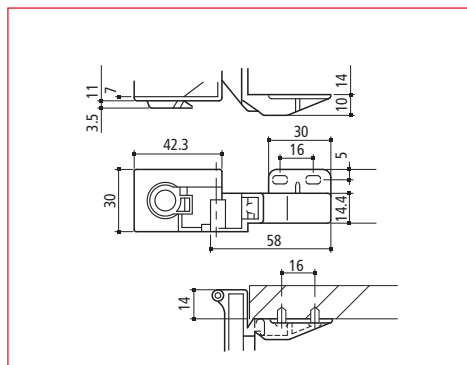
4 mm Inset · Pair with 2 bushings and 4 screws			
Item Number	Pin Ø Diameter		Finish
	Inch	mm	
24111 01 001	3/16	5	Black

Overlay Glass Door Hinges



▶▶ Weight capacity: 19 lbs. (9 kg)

40 x 20 mm · Includes 2 hinges, 2 screws			
Item Number	Glass Thickness		Finish
	Inch	mm	
24311 01 029	1/8 - 3/16	3 - 5	Black Zinc Plated
24311 55 042	1/8 - 3/16	3 - 5	Brass
24311 46 035	1/8 - 3/16	3 - 5	Chrome



▶▶ Weight capacity: 19 lbs. (9 kg)

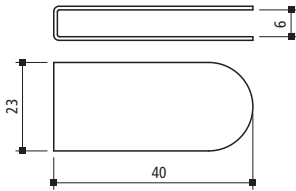
Self-Closing · Includes 2 hinges, 2 rubber pads, 2 screws			
Item Number	Glass Thickness		Finish
	Inch	mm	
24311 01 031	max. 3/16	max. 5	Black Zinc Plated
24311 55 044	max. 3/16	max. 5	Brass
24311 46 037	max. 3/16	max. 5	Chrome

* - Special Order Only - call for current pricing, minimum order quantity, and lead-time.

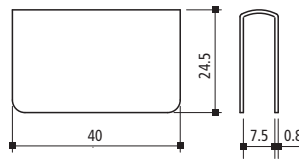
Metal Strikes with Adhesive Rubber



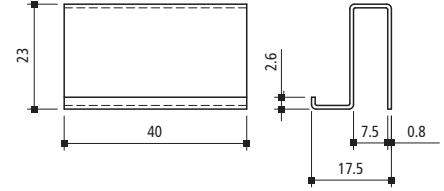
Dimensions



Dimensions



Dimensions



Item Number	Glass Thickness		Finish
	Inch	mm	
73554 46 085	3/16 - 1/4	5 - 6	Chrome

Item Number	Glass Thickness		Finish
	Inch	mm	
73554 01 073	3/16 - 1/4	4 - 6	Black
73554 55 074	3/16 - 1/4	4 - 6	Brass
73554 46 075	3/16 - 1/4	4 - 6	Chrome

Item Number	Glass Thickness		Finish
	Inch	mm	
73554 01 076	3/16 - 1/4	5 - 6	Black
73554 55 077	3/16 - 1/4	5 - 6	Brass
73554 46 078	3/16 - 1/4	5 - 6	Chrome

Strike Plates



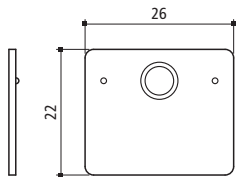
For use with

- ▶▶ 73111 Magnetic catches
- ▶▶ 73511 Magnetic catches

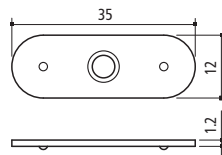
For use with

- ▶▶ 73313 Magnetic push latches

Dimensions



Dimensions



Bulk Packaging

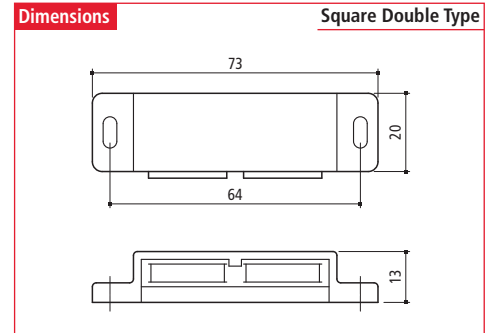
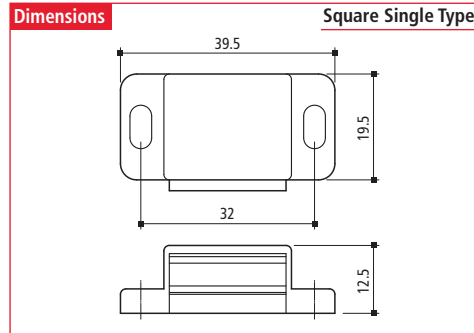
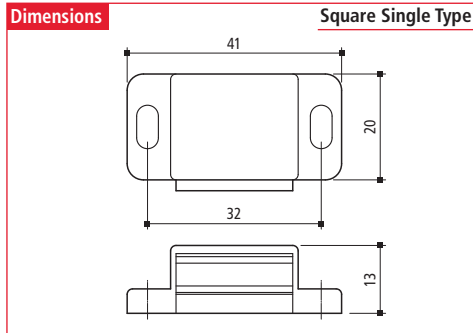
Item Number	Dimensions		Finish
	Inch	mm	
73514 45 034	1 x 7/8	26 x 22	Bronze
73514 52 033	1 x 7/8	26 x 22	Zinc
74111 01 081	Screws		Black

With screws

Item Number	Dimensions		Finish
	Inch	mm	
73114 42 029	1-3/8 x 1/2	35 x 12	Antique Copper
73114 01 030	1-3/8 x 1/2	35 x 12	Black

Single Packaging · With screws for magnet and strike

Item Number	Dimensions		Finish
	Inch	mm	
73114 01 028	1 x 7/8	26 x 22	Black
73114 42 027	1 x 7/8	26 x 22	Brown



▶▶ Pull force: 8.81 lbs. (4 kg)

▶▶ Pull force: 8.81 lbs. (4 kg)

▶▶ Pull force: 6.6 lbs. (3 kg)

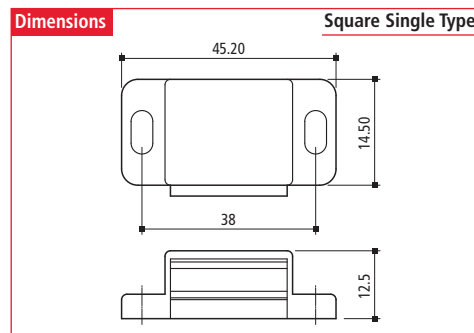
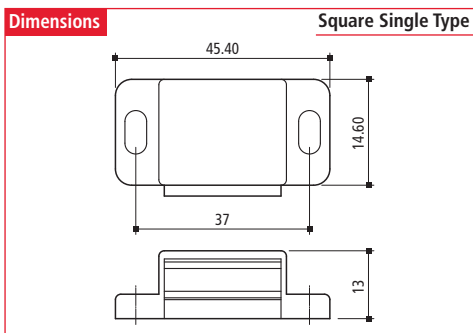
Bulk Packaging			
Item Number	Hole Distance c.c.		Finish
	Inch	mm	
73111 12 702	1-1/4	32	Black

Bulk Packaging			
Item Number	Hole Distance c.c.		Finish
	Inch	mm	
73111 12 001*	1-1/4	32	Black
73111 14 003*	1-1/4	32	Brown

Bulk Packaging			
Item Number	Hole Distance c.c.		Finish
	Inch	mm	
73511 12 059*	2-1/2	64	Black
73511 29 061*	2-1/2	64	White

Single Packaging - With strike and screw			
Item Number	Hole Distance c.c.		Finish
	Inch	mm	
73111 12 000	1-1/4	32	Black
73111 14 002	1-1/4	32	Brown
73111 29 004	1-1/4	32	White

Single Packaging - With strike and screw			
Item Number	Hole Distance c.c.		Finish
	Inch	mm	
73511 12 060	2-1/2	64	Black
73511 14 063	2-1/2	64	Brown
73511 29 079	2-1/2	64	White



▶▶ Pull force: 13.23 lbs. (6 kg)

▶▶ Pull force: 13.23 lbs. (6 kg)

Single Packaging - With strike and screw			
Item Number	Hole Distance c.c.		Finish
	Inch	mm	
73111 29 080	1-29/64	37	White
73111 14 069	1-29/64	37	Brown

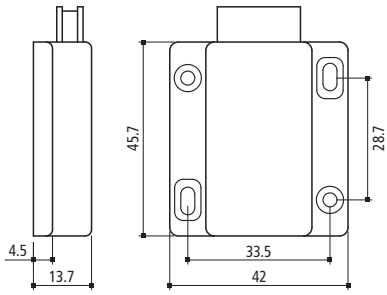
Bulk Packaging			
Item Number	Hole Distance c.c.		Finish
	Inch	mm	
73111 12 008	1-1/2	38	Black

* - Special Order Only - call for current pricing, minimum order quantity, and lead-time.

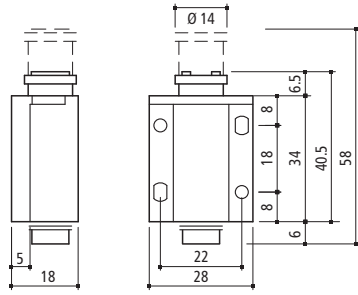
Magnetic Push Latches



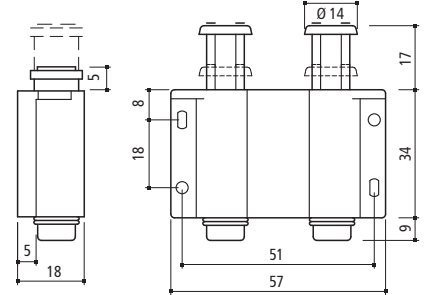
Dimensions Single Type



Dimensions Round Single Type



Dimensions Round Double Type



▶▶ Pull force: 2.2 lbs. (1 kg)

▶▶ Pull force: 6.61 lbs. (3 kg)

▶▶ Pull force: 13.23 lbs. (6 kg)

With strike and screw

Single Packaging - With strike and screw

Single Packaging - With strike and screw

Item Number	Hole Distance c.c.		Finish
	Inch	mm	
73113 12 023	1/4	32	Black
73113 14 025	1/4	32	Brown
73113 29 024	1/4	32	White

Item Number	Hole Distance c.c.		Finish
	Inch	mm	
73313 12 044	7/8	22	Black
73313 14 046	7/8	22	Brown
73313 29 047	7/8	22	White

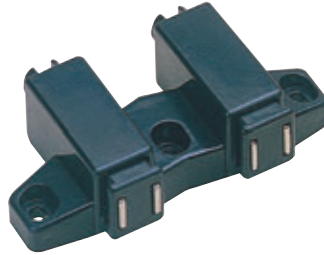
Item Number	Hole Distance c.c.		Finish
	Inch	mm	
73313 12 048	2	51	Black
73313 14 050	2	51	Brown
73313 29 051	2	51	White

Bulk Packaging

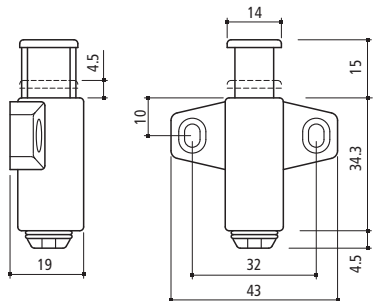
Bulk Packaging

Item Number	Hole Distance c.c.		Finish
	Inch	mm	
73313 12 045	7/8	22	Black

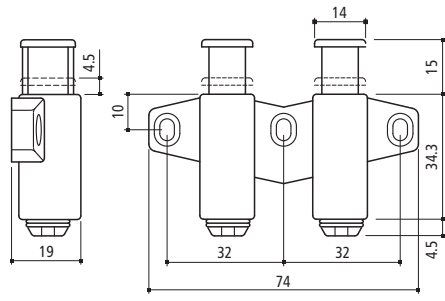
Item Number	Hole Distance c.c.		Finish
	Inch	mm	
73313 12 049	2	51	Black



Dimensions Square Single Type



Dimensions Square Double Type



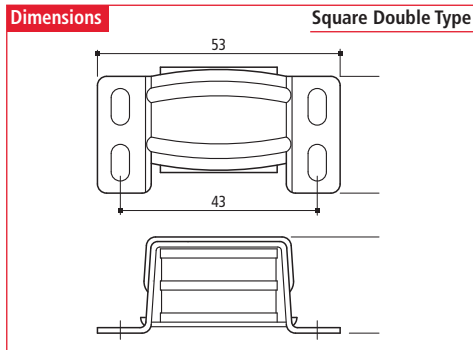
▶▶ Pull force: 6.61 lbs. (3 kg)

▶▶ Pull force: 13.23 lbs. (6 kg)

Item Number	Hole Distance c.c.		Finish
	Inch	mm	
73113 12 019	1-1/4	32	Black

Item Number	Hole Distance c.c.		Finish
	Inch	mm	
73113 12 021	2-1/2	64	Black

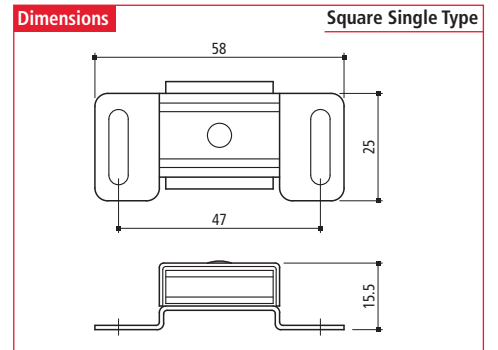
Aluminum Magnetic Catches



▶▶ Pull force: 11.02 lbs. (5 kg)

With strike and screw

Item Number	Hole Distance c.c.		Finish
	Inch	mm	
73111 40 006	1-11/19	42	Aluminum

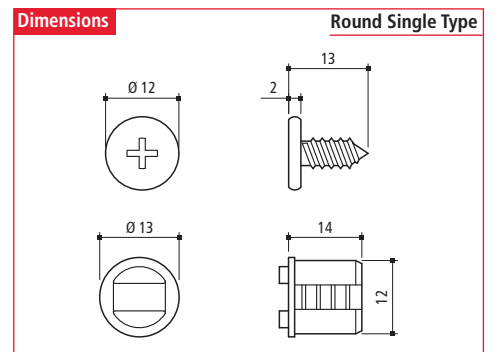


▶▶ Pull force: 5.51 lbs. (2.5 kg)

With strike and screw

Item Number	Hole Distance c.c.		Finish
	Inch	mm	
73111 40 005	1-13/16	47	Aluminum

Mortise Magnetic Catch



▶▶ Pull force: 4.41 lbs. (2 kg)

With strike and screw

Item Number	Ø Drill Hole		Finish
	Inch	mm	
74331 12 002 ^(D)	1/2	12	Black

^(D) – Discontinued Item – available until remaining stocks are sold out. Call for availability, quantities and potential special pricing.

Your source for information & services. Besides our complete Product Range we offer various information and services on our website for you. Here is an overview with direct links to the respective areas:

Online Catalog

Flip through this Catalog online and take advantage of the comfort features like searching, bookmarking, downloading etc.

» <http://catalog.usfutaba.com>



News Section

Be always up to date: find interesting reports, news and trends around the furniture industry in the news section of our website:

» <https://www.usfutaba.com/news/>



Find out more and be up to date:

» www.usfutaba.com

Conversion kg = lbs + oz.

kg	lbs	oz.
0.1	0	31/2
0.2	0	7
0.3	0	101/2
0.4	0	14
0.454	1	0
0.5	1	11/2
0.6	1	5
0.7	1	83/4
0.8	1	121/4
0.9	1	153/4
0.908	2	0
1.0	2	31/4
1.1	2	63/4
1.2	2	101/4
1.3	2	133/4
1.4	3	11/4
1.5	3	43/4
2.0	4	61/2
2.5	5	8
3.0	6	93/4
3.5	7	111/4
4.0	8	13
4.5	9	141/2
4.54	10	0
5.0	11	1/4
6.0	13	31/2
7.0	15	63/4
8.0	17	10
9.0	19	131/4
9.08	20	0
10	22	1/2
20	44	3/4
30	66	11/4
40	88	13/4
50	110	2

Get in contact with us!

We stand ready to be of service to you: Represented on both coasts and available 12 hours a day, we are a business partner you can rely on. Customer Service means more to us than just shipping merchandise.

We are available to answer your technical questions and encourage your input from the field. U.S. Futaba, Inc. is very interested in how we can help you develop a larger market share with quality products that your customers demand. Please let us know your ideas so we can help you build a stronger base and a solid future together.

Business Hours

From 8:00 a.m. to 5:00 p.m., Monday through Friday

West Coast Headquarters & Warehouse

2901 West Garry Ave. · Santa Ana, CA 92704
Phone (800) 821-4007 · Fax (714) 751-2366

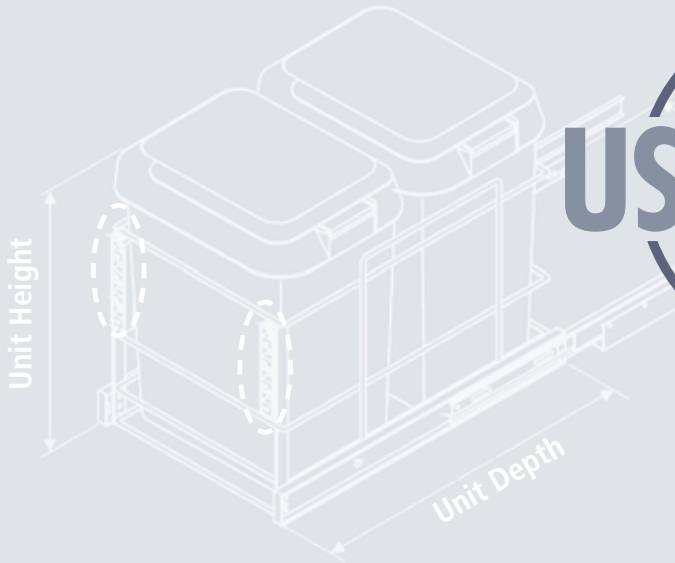
East Coast Branch

525 Byron Street, Suite C. · Chesapeake, VA 23320
Phone (877) 293-0584 · Fax (757) 549-9794

» [email: sales@usfutaba.com](mailto:sales@usfutaba.com)

Conversion Inch - Millimeter

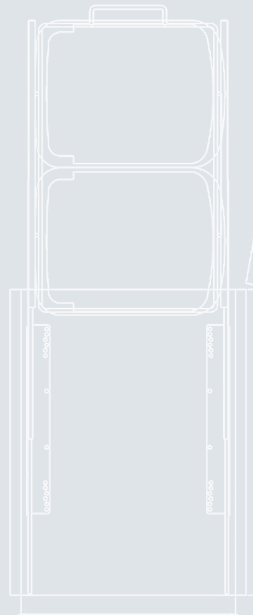
Fraction	Decimal	Millimeter
1/64	.015625	.39668
1/32	.03125	.79375
3/64	.046875	1.19063
1/16	.0625	1.58750
5/64	.078125	1.98438
3/32	.09375	2.38125
7/64	.109375	2.77813
1/8	.125	3.17500
9/64	.140625	3.57188
5/32	.15625	3.9687
11/64	.171875	4.36563
3/16	.1875	4.7625
13/64	.203125	5.15938
7/32	.21875	5.55625
15/64	.234375	5.95313
1/4	.250	6.3500
17/64	.265625	6.74688
9/32	.28125	7.14375
19/64	.296875	7.54063
5/16	.3125	7.93750
21/64	.328125	8.33438
11/32	.34375	8.73125
23/64	.359375	9.12813
3/8	.375	9.5250
25/64	.390625	9.92188
13/32	.40625	10.31875
27/64	.421875	10.71563
7/16	.4375	11.11250
29/64	.453125	11.50938
15/32	.46875	11.90625
31/64	.48375	12.30313
1/2	.500	12.700
33/64	.515625	13.09688
17/32	.53125	13.49375
35/64	.546875	13.89063
9/16	.5625	14.28750
37/64	.578125	14.68438
19/32	.59375	15.08125
39/64	.609375	15.47813
5/8	.625	15.87500
41/64	.640625	16.27188
21/32	.65625	16.66875
43/64	.671575	17.06563
11/16	.6875	17.46250
45/64	.703125	17.85938
23/32	.71875	18.25625
47/64	.734375	18.65312
3/4	.750	19.0500
49/64	.765625	19.44688
25/32	.78125	19.84375
51/64	.796875	20.24063
13/16	.8125	20.63750
53/64	.828125	21.03438
27/32	.84375	21.43125
55/64	.859375	21.8281
7/8	.875	22.22500
57/64	.890625	22.62188
29/32	.90625	23.01875
59/64	.921875	23.41563
15/16	.9375	23.81250
61/64	.953125	24.2093
31/32	.96875	24.60625
63/64	.984375	25.00313
1	1.000	25.4000



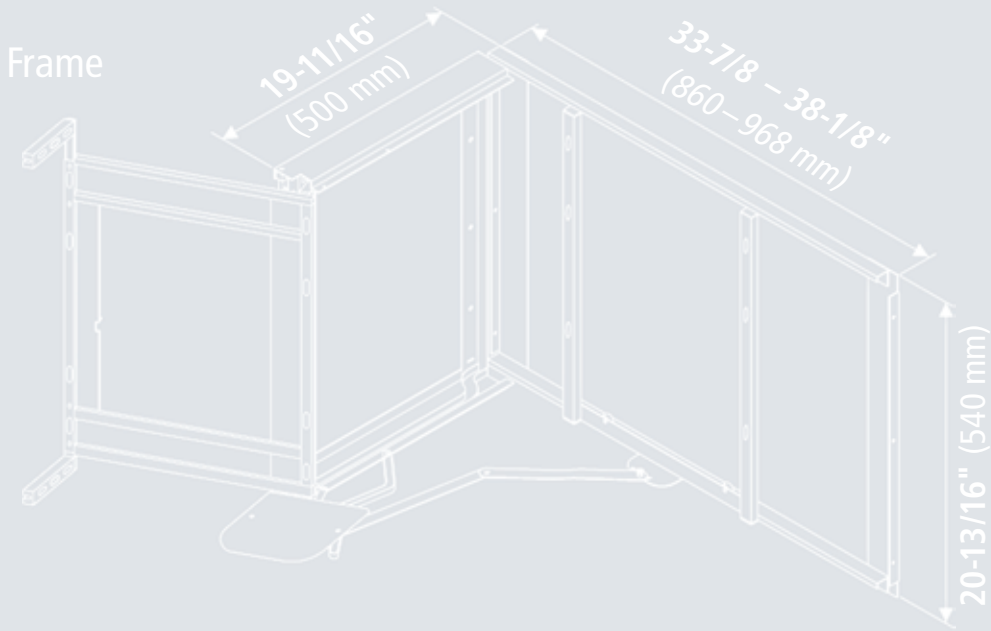
Shown with optional Door Brackets



Application with Door Brackets



Application without Door Brackets



33-7/8 – 38-1/8" (860 – 968 mm)

33-7/8 – 38-1/8" (860 – 968 mm)



04

KITCHEN SOLUTIONS

Right

Slow Motion Countertop Extension



Features

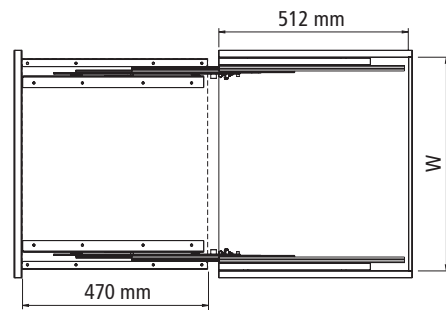
- ▶ Instantly achieve more countertop surface by using the space occupied by a drawer with two motions:
 1. In one movement, pull the extension out & lift to the counter's height
 2. Push extension back against countertop
- ▶ Ideal for a galley kitchen, RVs, home office, laundry rooms – any space that more surface area makes life easier
- ▶ Drawer opening height – 4" plus the thickness of the work surface
- ▶ Closed to open/raised height change: 2-1/4" (57 mm)
- ▶ Finish: silver gray epoxy
- ▶ Work surface not included

Item Number	Unit height		Unit width (W)		Unit depth	
	Inch	mm	Inch	mm	Inch	mm
40141 85 206	3-13/16	97	14-3/8–22-3/16	364–564	20-3/16	512

Actual unit dimensions shown; allow proper spacing for installation.

Height: Add unit height plus thickness of work surface plus installation spacing.

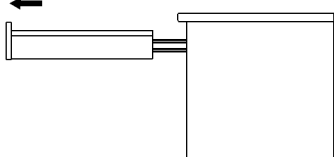
Dimensions



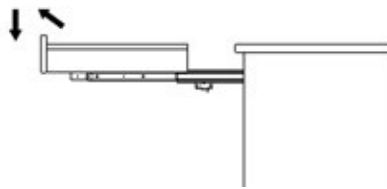
Application

Pull-out the work-top extension as follows:

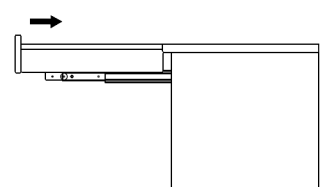
1. Pull-out



2. Swing-up

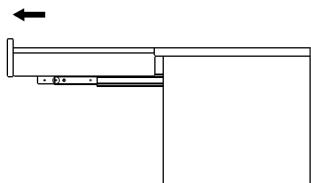


3. Push flush against the counter

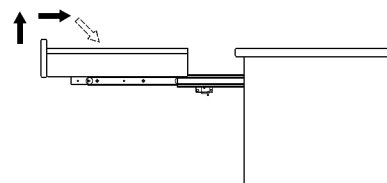


Push the work-top extension **back** as follows:

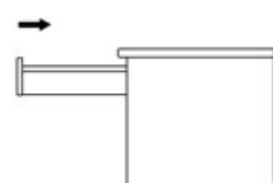
1. Pull-out



2. Swing-up and push down



3. Push back



Features

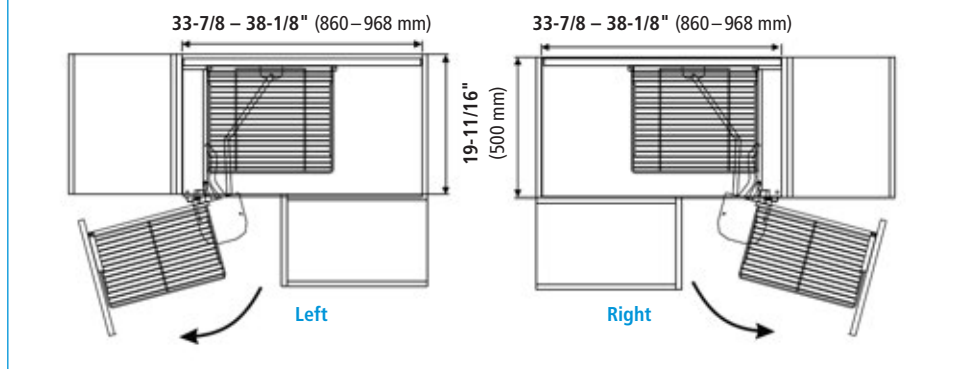
- ▶ Reach inaccessible space in a blind corner cabinet
- ▶ Installs easily within left-hand or right-hand cabinets
- ▶ Soft close for quiet operation
- ▶ Two door mounted baskets can be completely pulled out of the cabinet & then swing away from the opening
- ▶ Allows for complete access to the rear baskets which automatically slide into an accessible position
- ▶ All shelves are tempered glass with satin stainless-steel baskets
- ▶ Uses ball bearing slides
- ▶ Recommended inner height: 21-5/8" (550 mm) or higher
- ▶ Minimum door opening: 14" (356 mm)
- ▶ Load capacity:
 - Side frame: 17 lbs. (7.7 kg)
 - Inner frame: 33 lbs. (14.9 kg)
- ▶ Frame finish: gray epoxy



Item Number	Unit Height		Unit Width		Unit Depth		Components	Finishes
	Inch	mm	Inch	mm	Inch	mm		
40321 46 057	20-13/16	529	33-7/8 – 38-1/8	860 – 968	19-11/16	500	Frame 4 Baskets	Gray Epoxy Chrome

Actual unit dimensions shown; allow proper spacing for installation.

Dimensions



Note: Door opening width must be a minimum of 14 inches (356 mm). The item can be assembled for either left or right hand.

Components

Side Basket



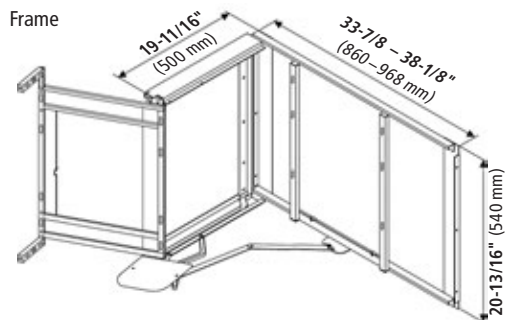
Height	Width		Depth		
Inch	mm	Inch	mm	Inch	mm
3-1/2	89	10-3/8	263	17-1/8	436

Inner Basket

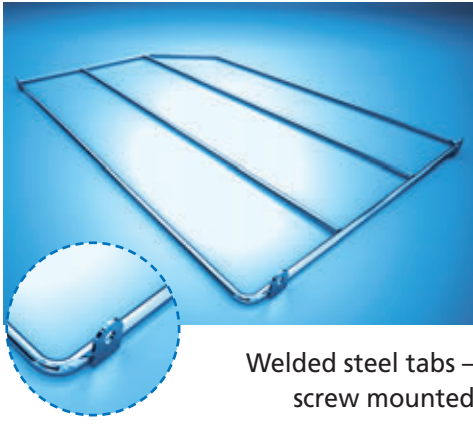


Height	Width		Depth		
Inch	mm	Inch	mm	Inch	mm
3-1/2	89	14-7/8	378	17-7/8	455

Frame



Tray Divider



Welded steel tabs –
screw mounted

Features

- ▶ Welded steel tabs are screw mounted to the back & base of cabinets – no plastic clips involved
- ▶ Divides base & pantry cabinet space
- ▶ Screws are not provided

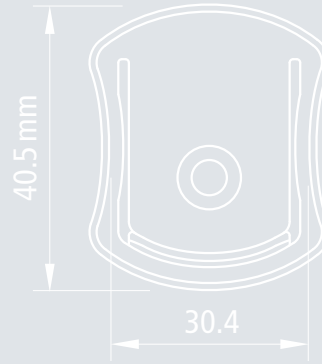
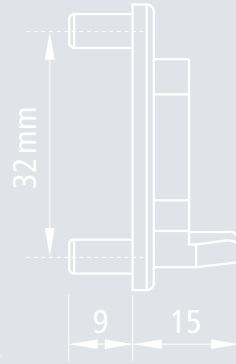
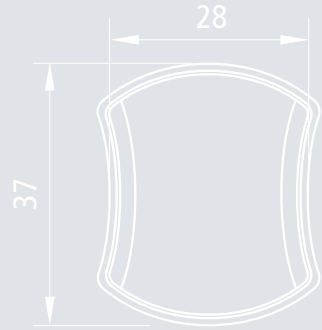
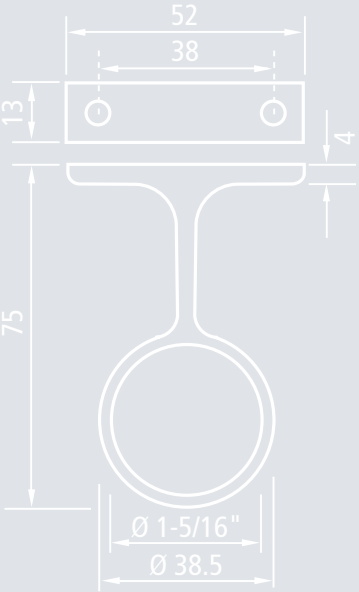
Item Number	Unit Height		Unit Depth		Finish	Min. cabinet depth	
	Inch	mm	Inch	mm		Inch	mm
40324 46 196	12	305	18	457	Chrome	19-11/16	500
40324 46 197	18	457	18	457	Chrome	19-11/16	500

Actual unit dimensions shown; allow proper spacing for installation.



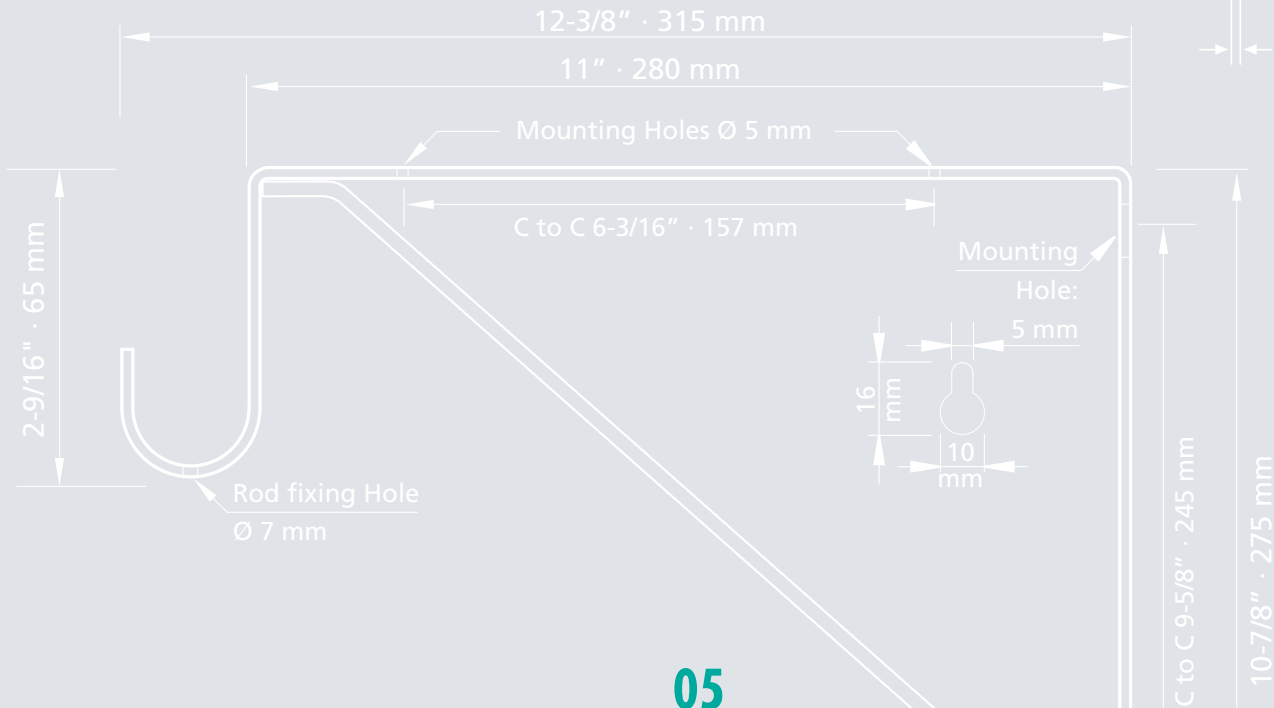
Collar »

Support »



NEW IN THIS SECTION

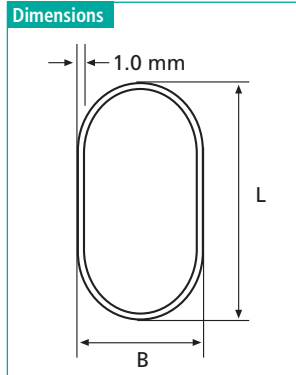
► Acrylic Closet Rod (Page 55)



05

CLOSET RODS AND ACCESSORIES

Steel Oval Closet Rods



Features

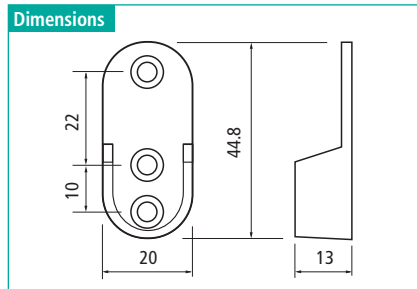
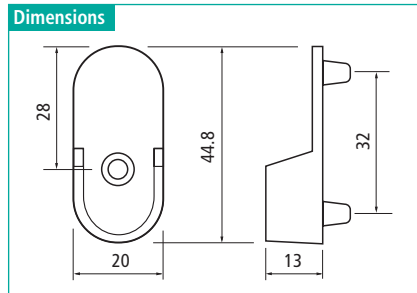
- ▶ Seamless
- ▶ Material thickness: 0.039" · 1.0 mm · 20-gauge

Note:

We stock only 0.039" · 1.0mm · 20-gauge oval steel tubes. They offer strength & a high load capacity for even the larger cabinet widths. Thinner gauges (0.6, 0.7, & 0.8mm) are available on special order. Contact us directly for further details.

Item Number	Finish	Length		Dimensions L x B	
		Feet	m	Inch	mm
53111 46 003	Chrome	8	2.44	1-1/8 x 5/8	30 x 15
53111 46 001	Chrome	12	3.66	1-1/8 x 5/8	30 x 15

Supports for Steel Oval Closet Rods



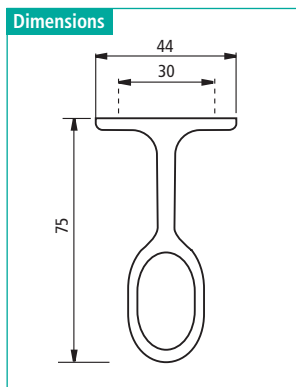
Pin Mount · Screws are included

Item Number	Finish	for Rod Dimension		Type	Mount
		Inch	mm		
54111 46 068	Chrome	1-1/8 x 5/8	15 x 30	open	5 mm pin

Screw Mount · Screws are included

Item Number	Finish	for Rod Dimension		Type	Mount
		Inch	mm		
54113 46 013	Chrome	1-1/8 x 5/8	15 x 30	open	screw

Center Supports for Steel Oval Closet Rods



Screw Mount · Screws are included

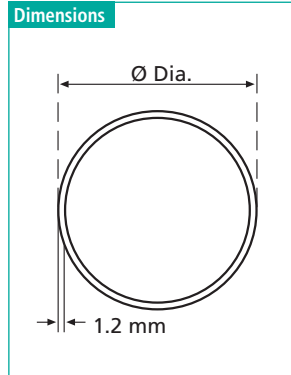
Item Number	Finish	for Rod Dimension		Type	Mount
		Inch	mm		
54215 46 079	Chrome	1-1/8 x 5/8	15 x 30	closed	screw

Features

- ▶ Seamless
- ▶ Material thickness: 0.047" · 1.2 mm · 18-gauge



Item Number	Finish	Length		Ø Diameter	
		Feet	m	Inch	mm
53231 46 012	Chrome	8	2.44	1	25
53231 46 011	Chrome	12	3.66	1	25
53231 46 007	Chrome	8	2.44	1-1/16	27
53231 46 005	Chrome	12	3.66	1-1/16	27
53231 46 010	Chrome	8	2.44	1-1/4	32
53231 46 009	Chrome	12	3.66	1-1/4	32



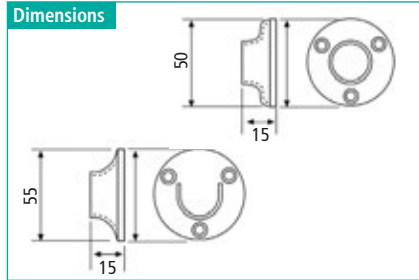
Supports for Steel Standard Round Closet Rods

1" · Screws are included

Item Number	Finish	for Rod Ø Inch	mm	Type	Mount
54133 46 017	Chrome	1	25.4	open	screw

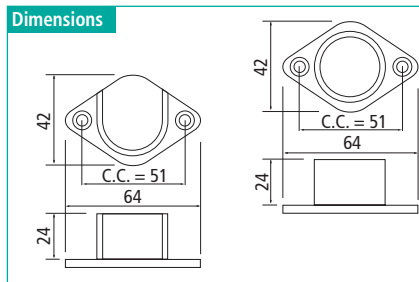
1" · Screws are included

Item Number	Finish	for Rod Ø Inch	mm	Type	Mount
54233 46 081	Chrome	1	25.4	closed	screw



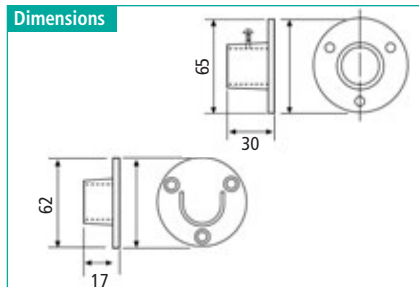
1-1/16" · Screws are included

Item Number	Finish	for Rod Ø Inch	mm	Type	Mount
54133 46 019	Chrome	1-1/16	27	open	screw
54233 46 028	Chrome	1-1/16	27	closed	screw



1-1/4" · Screws are included

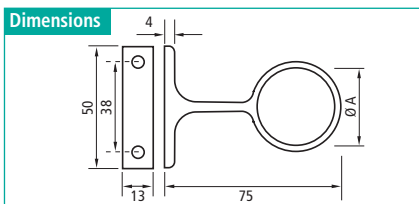
Item Number	Finish	for Rod Ø Inch	mm	Type	Mount
54133 46 018	Chrome	1-1/4	32	open	screw
54233 46 026	Chrome	1-1/4	32	closed	screw



Center Supports for Steel Standard Round Closet Rods

Screw Mount · Screws are included

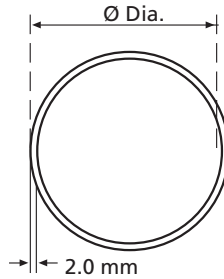
Item Number	Finish	for Rod Ø Inch	mm	Type	Mount
54233 46 107	Chrome	1	25.4	closed	screw
54233 46 108	Chrome	1-1/4	32	closed	screw



Steel Heavy-Duty Round Closet Rods



Dimensions



Features

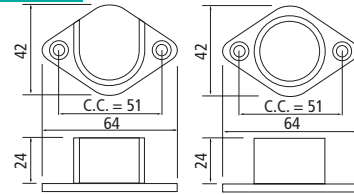
- ▶▶ Seamless
- ▶▶ Material Thickness: 0.079" · 2 mm · 14-gauge

Item Number	Finish	Length		Ø Diameter	
		Feet	m	Inch	mm
53431 46 017	Chrome	4	1.22	1-1/16	27
53431 46 030	Chrome	5	1.53	1-1/16	27
53431 46 031	Chrome	6	1.83	1-1/16	27
53431 46 008	Chrome	8	2.44	1-1/16	27
53431 46 032	Chrome	10	3	1-1/16	27
53431 46 006	Chrome	12	3.66	1-1/16	27
53431 46 033	Chrome	4	1.22	1-5/16	34
53431 46 034	Chrome	5	1.53	1-5/16	34
53431 46 035	Chrome	6	1.83	1-5/16	34
53431 46 015	Chrome	8	2.44	1-5/16	34
53431 46 036	Chrome	10	3	1-5/16	34
53431 46 014	Chrome	12	3.66	1-5/16	34

Supports for Steel Heavy-Duty Round Closet Rods



Dimensions

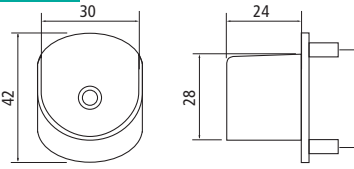


1-1/16" · Screws are included

Item Number	Finish	for Rod Ø Inch	mm	Type	Mount
54133 46 019	Chrome	1-1/16	27	open	screw
54233 46 028	Chrome	1-1/16	27	closed	screw



Dimensions

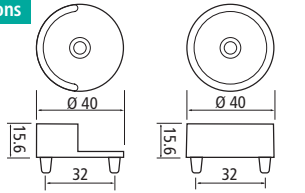


1-1/16" · Screws are included

Item Number	Finish	for Rod Ø Inch	mm	Type	Mount
54133 46 098	Chrome	1-1/16	27	open	5 mm pin



Dimensions

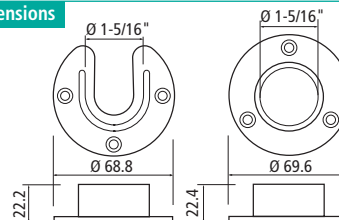


1-5/16" · Screws are included

Item Number	Finish	for Rod Ø Inch	mm	Type	Mount
54131 46 094	Chrome	1-5/16	34	open	5 mm pin
54231 46 089	Chrome	1-5/16	34	closed	5 mm pin



Dimensions



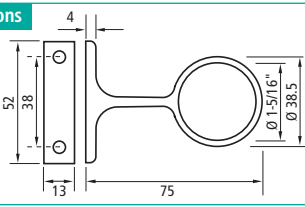
1-5/16" · Screws are included

Item Number	Finish	for Rod Ø Inch	mm	Type	Mount
54133 46 021	Chrome	1-5/16	34	open	screw
54233 46 027	Chrome	1-5/16	34	closed	screw

Center Supports for Steel Heavy-Duty Round Closet Rods



Dimensions



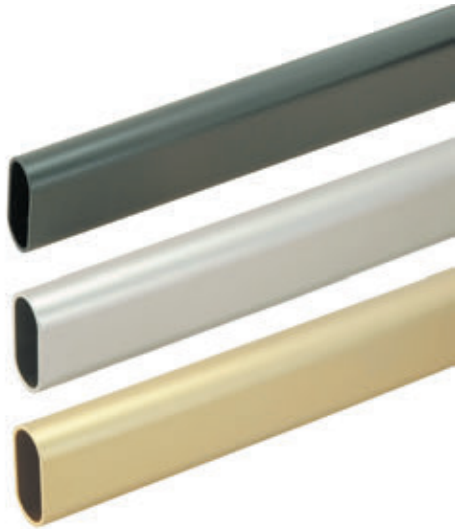
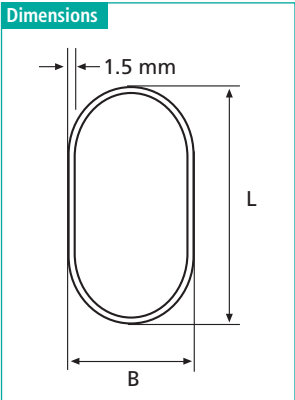
Screw Mount · Screws are included

Item Number	Finish	for Rod Ø Inch	mm	Type	Mount
54233 46 106	Chrome	1-1/16	27	closed	screw
54233 46 105	Chrome	1-5/16	34	closed	screw

Features

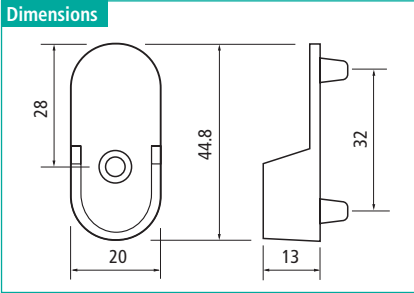
- ▶ Seamless
- ▶ Material thickness: 0.06" · 1.5 mm · 16-gauge
- ▶ Anodized finishes available: dull brass, dull chrome, dull nickel, matte black, & oil rubbed bronze

Item Number	Finish	Length		Dimensions L x B	
		Feet	m	Inch	mm
53315 47 019	Dull Brass	8	2.44	1-1/8 x 5/8	30 x 15
53315 48 020	Dull Chrome	8	2.44	1-1/8 x 5/8	30 x 15
53315 49 021	Dull Nickel	8	2.44	1-1/8 x 5/8	30 x 15
53315 51 018	Matte Black	8	2.44	1-1/8 x 5/8	30 x 15
53315 53 022	Oil Rubbed Bronze	8	2.44	1-1/8 x 5/8	30 x 15

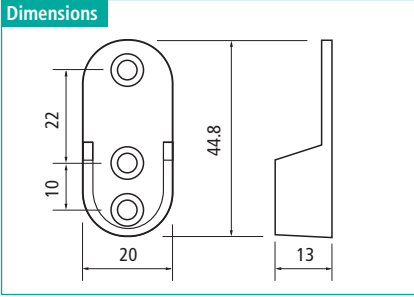


Supports for Aluminum Oval Closet Rods

Pin Mount · Screws are included					
Item Number	Finish	for Rod Dimension Inch	mm	Type	Mount
54111 47 051	Dull Brass	1-1/8 x 5/8	15 x 30	open	5 mm pin
54111 48 078	Dull Chrome	1-1/8 x 5/8	15 x 30	open	5 mm pin
54111 49 086	Dull Nickel	1-1/8 x 5/8	15 x 30	open	5 mm pin
54111 51 052	Matte Black	1-1/8 x 5/8	15 x 30	open	5 mm pin
54111 53 087	Oil Rubbed Bronze	1-1/8 x 5/8	15 x 30	open	5 mm pin

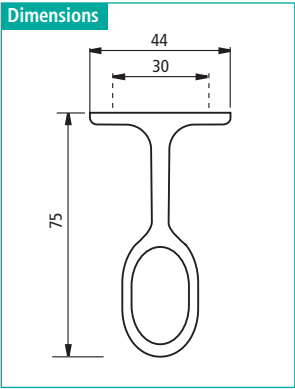


Screw Mount · Screws are included					
Item Number	Finish	for Rod Dimension Inch	mm	Type	Mount
54113 47 054	Dull Brass	1-1/8 x 5/8	15 x 30	open	screw
54113 48 091	Dull Chrome	1-1/8 x 5/8	15 x 30	open	screw
54113 49 084	Dull Nickel	1-1/8 x 5/8	15 x 30	open	screw
54113 51 055	Matte Black	1-1/8 x 5/8	15 x 30	open	screw
54113 53 085	Oil Rubbed Bronze	1-1/8 x 5/8	15 x 30	open	screw

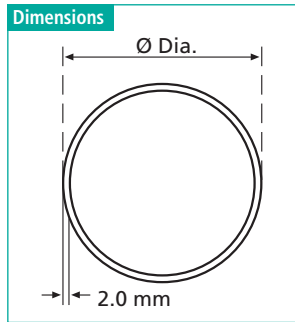
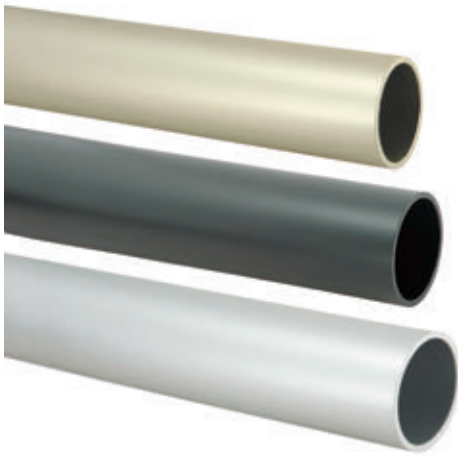


Center Supports for Aluminum Oval Closet Rods

Screw Mount · Screws are included					
Item Number	Finish	for Rod Dimension Inch	mm	Type	Mount
54215 47 002	Dull Brass	1-1/8 x 5/8	15 x 30	closed	screw
54215 48 001	Dull Chrome	1-1/8 x 5/8	15 x 30	closed	screw
54215 49 003	Dull Nickel	1-1/8 x 5/8	15 x 30	closed	screw
54215 51 004	Matte Black	1-1/8 x 5/8	15 x 30	closed	screw
54215 53 092	Oil Rubbed Bronze	1-1/8 x 5/8	15 x 30	closed	screw



Aluminum Round Closet Rods

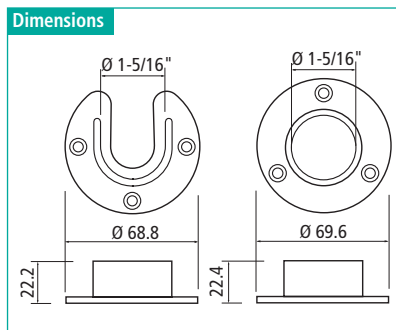
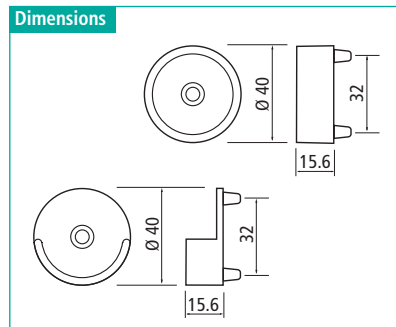


Features

- ▶ Seamless
- ▶ Material thickness: 0.08" · 2 mm · 14-gauge
- ▶ Anodized finishes available: dull brass, dull chrome, dull nickel, matte black, & oil rubbed bronze

Item Number	Finish	Length		Ø Diameter	
		Feet	m	Inch	mm
53435 47 024	Dull Brass	8	2.44	1-5/16	34
53435 48 025	Dull Chrome	8	2.44	1-5/16	34
53435 49 026	Dull Nickel	8	2.44	1-5/16	34
53435 51 023	Matte Black	8	2.44	1-5/16	34
53435 53 027	Oil Rubbed Bronze	8	2.44	1-5/16	34

Supports for Aluminum Round Closet Rods



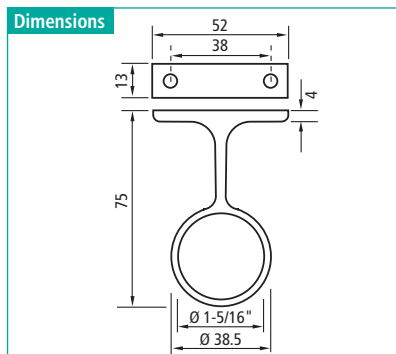
1-5/16" · Screws are included

Item Number	Finish	for Rod Ø Inch	mm	Type	Mount
54131 47 047	Dull Brass	1-5/16	34	open	5 mm pin
54131 48 095	Dull Chrome	1-5/16	34	open	5 mm pin
54131 49 083	Dull Nickel	1-5/16	34	open	5 mm pin
54131 51 048	Matte Black	1-5/16	34	open	5 mm pin
54131 53 090	Oil Rubbed Bronze	1-5/16	34	open	5 mm pin
54231 47 039	Dull Brass	1-5/16	34	closed	5 mm pin
54231 48 093	Dull Chrome	1-5/16	34	closed	5 mm pin
54231 49 076	Dull Nickel	1-5/16	34	closed	5 mm pin
54231 51 040	Matte Black	1-5/16	34	closed	5 mm pin
54231 53 096	Oil Rubbed Bronze	1-5/16	34	closed	5 mm pin

1-5/16" · Screws are included

Item Number	Finish	for Rod Ø Inch	mm	Type	Mount
54133 47 043	Dull Brass	1-5/16	34	open	screw
54133 48 104	Dull Chrome	1-5/16	34	open	screw
54133 49 097	Dull Nickel	1-5/16	34	open	screw
54133 51 044	Matte Black	1-5/16	34	open	screw
54133 53 077	Oil Rubbed Bronze	1-5/16	34	open	screw
54233 47 035	Dull Brass	1-5/16	34	closed	screw
54233 48 101	Dull Chrome	1-5/16	34	closed	screw
54233 49 088	Dull Nickel	1-5/16	34	closed	screw
54233 51 036	Matte Black	1-5/16	34	closed	screw
54233 53 075	Oil Rubbed Bronze	1-5/16	34	closed	screw

Center Supports for Aluminum Round Closet Rods



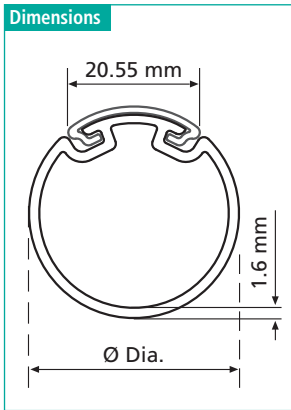
Screw Mount · Screws are included

Item Number	Finish	for Rod Ø Inch	mm	Type	Mount
54233 47 061	Dull Brass	1-5/16	34	closed	screw
54233 48 099	Dull Chrome	1-5/16	34	closed	screw
54233 49 103	Dull Nickel	1-5/16	34	closed	screw
54233 51 062	Matte Black	1-5/16	34	closed	screw
54233 53 082	Oil Rubbed Bronze	1-5/16	34	closed	screw

Features

- ▶ Seamless
- ▶ Material thickness: 0.06" · 1.6 mm · 14-gauge
- ▶ Protective clear strip on the top of the rod
- ▶ Anodized finishes available: dull brass, dull chrome, dull nickel, matte black, & oil rubbed bronze

Item Number	Finish	Length		Ø Diameter	
		Feet	m	Inch	mm
53635 47 060	Dull Brass	8	2.44	1-5/16	33
53635 48 061	Dull Chrome	8	2.44	1-5/16	33
53635 49 062	Dull Nickel	8	2.44	1-5/16	33
53635 51 063	Matte Black	8	2.44	1-5/16	33
53635 53 064	Oil Rubbed Bronze	8	2.44	1-5/16	33

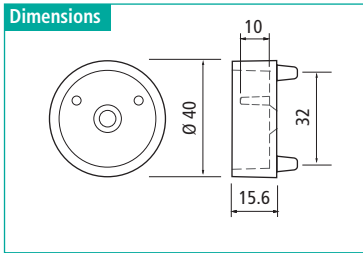


Supports for Aluminum Capped Round Closet Rods

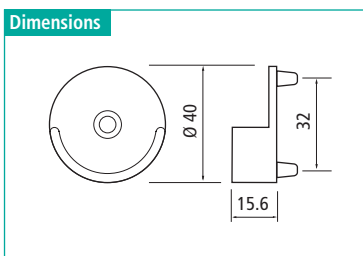
Features

- ▶ The inner pins of the closed supports secure the rod and plastic caps by preventing the rod from rotating
- ▶ We recommend each capped rod uses both the standard open support and the closed support with inner pins

With Inner Pins · Screws are included					
Item Number	Finish	for Rod Ø		Type	Mount
		Inch	mm		
54231 47 116	Dull Brass	1-5/16	33	closed	5 mm pin
54231 48 117	Dull Chrome	1-5/16	33	closed	5 mm pin
54231 49 118	Dull Nickel	1-5/16	33	closed	5 mm pin
54231 51 119	Matte Black	1-5/16	33	closed	5 mm pin
54231 53 120	Oil Rubbed Bronze	1-5/16	33	closed	5 mm pin

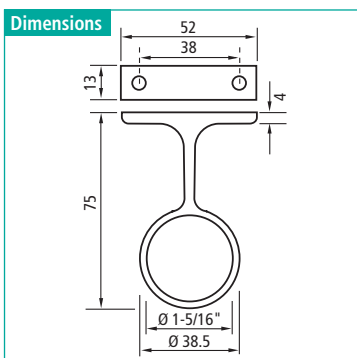


Pin Mount · Screws are included					
Item Number	Finish	for Rod Ø		Type	Mount
		Inch	mm		
54131 47 047	Dull Brass	1-5/16	34	open	5 mm pin
54131 48 095	Dull Chrome	1-5/16	34	open	5 mm pin
54131 49 083	Dull Nickel	1-5/16	34	open	5 mm pin
54131 51 048	Matte Black	1-5/16	34	open	5 mm pin
54131 53 090	Oil Rubbed Bronze	1-5/16	34	open	5 mm pin

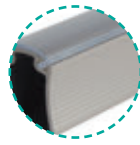
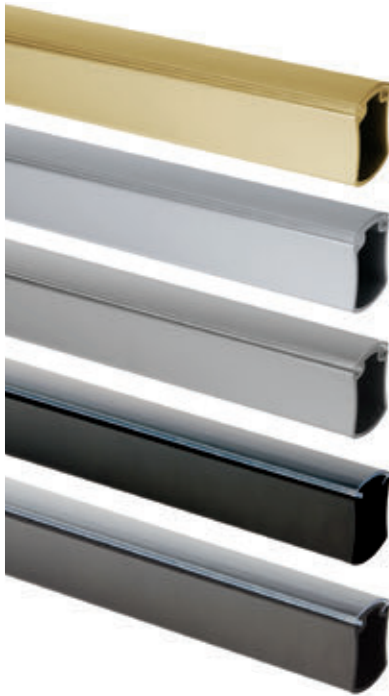


Center Supports for Aluminum Capped Round Closet Rods

Screw Mount · Screws are included					
Item Number	Finish	for Rod Ø		Type	Mount
		Inch	mm		
54233 47 061	Dull Brass	1-5/16	34	closed	screw
54233 48 099	Dull Chrome	1-5/16	34	closed	screw
54233 49 103	Dull Nickel	1-5/16	34	closed	screw
54233 51 062	Matte Black	1-5/16	34	closed	screw
54233 53 082	Oil Rubbed Bronze	1-5/16	34	closed	screw



Aluminum Hourglass Closet Rods

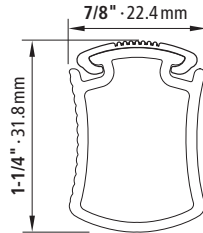


RIBBED SIDE



SMOOTH SIDE

Dimensions



Features

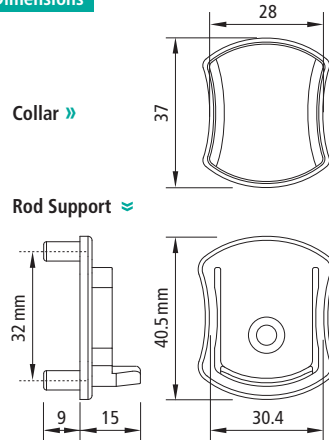
- ▶ Seamless
- ▶ Unique hourglass shape
- ▶ Reversible design – ribbed on one side & smooth on the other
- ▶ Protective clear strip on the top of the rod
- ▶ Locking collar secures rod in position
- ▶ Material thickness: 0.07" · 1.8 mm · 15-gauge
- ▶ Anodized finishes available: dull brass, dull chrome, dull nickel, matte black, & oil rubbed bronze

Item Number	Finish	Length		Dimensions H x W	
		Feet	m	Inch	mm
53525 47 051	Dull Brass	8	2.44	1-1/4 x 7/8	31.8 x 22.4
53525 48 052	Dull Chrome	8	2.44	1-1/4 x 7/8	31.8 x 22.4
53525 49 053	Dull Nickel	8	2.44	1-1/4 x 7/8	31.8 x 22.4
53525 51 054	Matte Black	8	2.44	1-1/4 x 7/8	31.8 x 22.4
53525 53 055	Oil Rubbed Bronze	8	2.44	1-1/4 x 7/8	31.8 x 22.4

Supports for Aluminum Hourglass Closet Rods



Dimensions



Features

- ▶ Hole for fixing screw
- ▶ Clean appearance—as it covers the ends of a rod
- ▶ Easy repositioning for more flexibility
- ▶ 32 mm system with 5 mm pins

Pin Mount · Screws are included

Item Number	Finish	Type	Mount
54221 47 111	Dull Brass	2 Piece	5 mm pin
54221 48 112	Dull Chrome	2 Piece	5 mm pin
54221 49 113	Dull Nickel	2 Piece	5 mm pin
54221 51 114	Matte Black	2 Piece	5 mm pin
54221 53 115	Oil Rubbed Bronze	2 Piece	5 mm pin

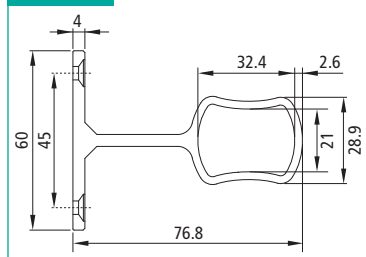
Installation

Insert the support's mounting base to a desired height. Cut the rod to fit the required length. Slide collars onto the ends of the closet rod. Place close rod onto the support's mounting base ① & slide collar ② over support mounting base to secure in place.

Center Supports for Aluminum Hourglass Closet Rods



Dimensions



Features

- ▶ Solid aluminum in 5 finishes

Screw Mount · Screws are included

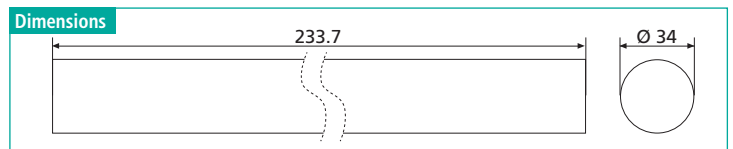
Item Number	Finish	Type	Mount
54223 47 120	Dull Brass	closed	screw
54223 48 121	Dull Chrome	closed	screw
54223 49 122	Dull Nickel	closed	screw
54223 51 123	Matte Black	closed	screw
54223 53 124	Oil Rubbed Bronze	closed	screw

Features

- ▶ Can be installed using our existing 1-5/16" round closet rod supports
- ▶ Does not exceed 8' in length
- ▶ Finishes: transparent and cyan blue
- ▶ Packaging:
 - 1 rod/box
 - 5 boxes/carton

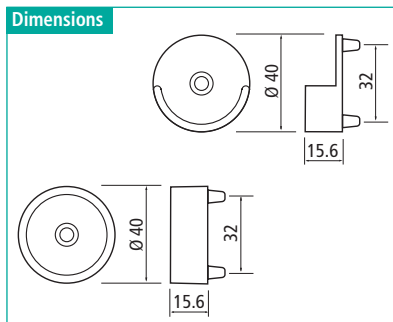


Item Number	Finish	Length		Ø Diameter	
		Inch	m	Inch	mm
77162 13 110	Cyan Blue	92	2.33	1-5/16	34
77162 15 100	Transparent	92	2.33	1-5/16	34



Supports for 1-5/16" Acrylic Round Closet Rods

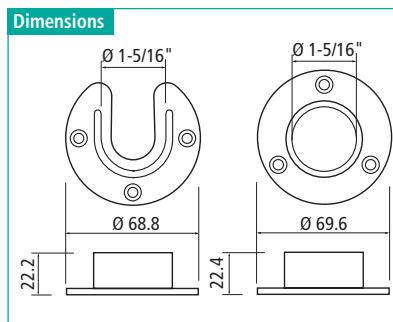
Item Number	Finish	Material	Type	Mount
54131 46 094	Chrome	Steel	open	5 mm pin
54131 47 047	Dull Brass	Aluminum	open	5 mm pin
54131 48 095	Dull Chrome	Aluminum	open	5 mm pin
54131 49 083	Dull Nickel	Aluminum	open	5 mm pin
54131 51 048	Matte Black	Aluminum	open	5 mm pin
54131 53 090	Oil Rubbed Bronze	Aluminum	open	5 mm pin
54231 46 089	Chrome	Steel	closed	5 mm pin
54231 47 039	Dull Brass	Aluminum	closed	5 mm pin
54231 48 093	Dull Chrome	Aluminum	closed	5 mm pin
54231 49 076	Dull Nickel	Aluminum	closed	5 mm pin
54231 51 040	Matte Black	Aluminum	closed	5 mm pin
54231 53 096	Oil Rubbed Bronze	Aluminum	closed	5 mm pin



Fixing screws are included



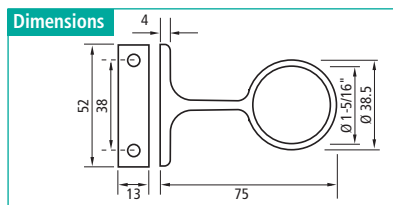
Item Number	Finish	Material	Type	Mount
54133 46 021	Chrome	Steel	open	screw
54133 47 043	Dull Brass	Aluminum	open	screw
54133 48 104	Dull Chrome	Aluminum	open	screw
54133 49 097	Dull Nickel	Aluminum	open	screw
54133 51 044	Matte Black	Aluminum	open	screw
54133 53 077	Oil Rubbed Bronze	Aluminum	open	screw
54233 46 027	Chrome	Steel	closed	screw
54233 47 035	Dull Brass	Aluminum	closed	screw
54233 48 101	Dull Chrome	Aluminum	closed	screw
54233 49 088	Dull Nickel	Aluminum	closed	screw
54233 51 036	Matte Black	Aluminum	closed	screw
54233 53 075	Oil Rubbed Bronze	Aluminum	closed	screw



Mounting screws are included



Item Number	Finish	Material	Type	Mount
54233 46 105	Chrome	Steel	closed	screw
54233 47 061	Dull Brass	Aluminum	closed	screw
54233 48 099	Dull Chrome	Aluminum	closed	screw
54233 49 103	Dull Nickel	Aluminum	closed	screw
54233 51 062	Matte Black	Aluminum	closed	screw
54233 53 082	Oil Rubbed Bronze	Aluminum	closed	screw



Mounting screws are included



Closet Rod & Shelf Support Bracket for Round Rod



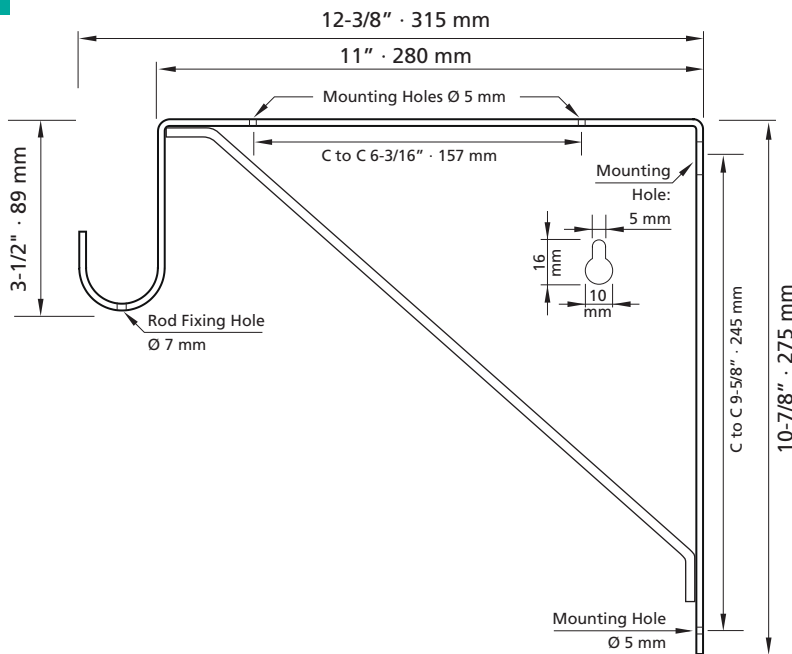
Applications

- ▶ Closet shelving
- ▶ Long spans of shelving
- ▶ Shelving with heavier loads
- ▶ Laundry rooms
- ▶ Garage

Features

- ▶ Rod fixing hole
- ▶ Steel 3 mm thickness
- ▶ Supports round rod up to 1-5/16" (34 mm) in diameter
- ▶ Shelf material up to 14" deep
- ▶ Overall dimensions:
 - Height: 10-7/8" (275 mm)
 - Depth: 12-3/8" (315 mm)
 - Width: 1" (25 mm)
- ▶ Load capacity: 110 lbs (50 kg)
- ▶ Attractive finishes that match previous closet rod selection: chrome, dull brass, dull chrome, dull nickel, matte black, oil rubbed bronze, & white
- ▶ Screws are included

Dimensions



Item Number	Finish	for Rod Diameters	
		Inch	mm
72535 46 178	Chrome	1 - 1-5/16	25 - 34
72535 47 179	Dull Brass	1 - 1-5/16	25 - 34
72535 48 180	Dull Chrome	1 - 1-5/16	25 - 34
72535 49 181	Dull Nickel	1 - 1-5/16	25 - 34
72535 51 182	Matte Black	1 - 1-5/16	25 - 34
72535 53 183	Oil Rubbed Bronze	1 - 1-5/16	25 - 34
72535 82 184	White	1 - 1-5/16	25 - 34



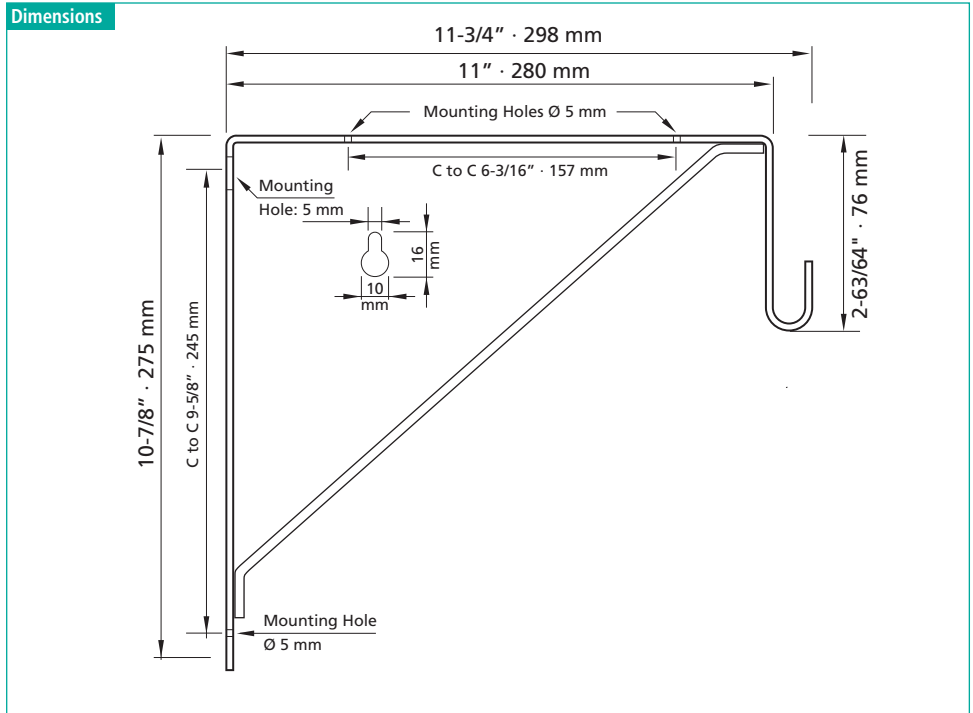
Features

- ▶ Steel 3 mm thickness
- ▶ Supports oval rod 30 mm x 15 mm
- ▶ Shelf material up to 14" deep
- ▶ Overall dimensions:
 - Height: 10-7/8" (275 mm)
 - Depth: 11-3/4" (298 mm)
 - Width: 1" (25 mm)
- ▶ Load capacity: 110lbs (50 kg)
- ▶ Attractive finishes that match previous closet rod selection: chrome, dull brass, dull chrome, dull nickel, matte black, & oil rubbed bronze
- ▶ Screws are included

Applications

- ▶ Closet shelving
- ▶ Long spans of shelving
- ▶ Shelving with heavier loads
- ▶ Laundry rooms
- ▶ Garage

Dimensions



Item Number	Finish	for Rod Dimension	
		Inch	mm
72535 46 185	Chrome	1-1/8 x 5/8	30 x 15
72535 47 186	Dull Brass	1-1/8 x 5/8	30 x 15
72535 48 187	Dull Chrome	1-1/8 x 5/8	30 x 15
72535 49 188	Dull Nickel	1-1/8 x 5/8	30 x 15
72535 51 189	Matte Black	1-1/8 x 5/8	30 x 15
72535 53 190	Oil Rubbed Bronze	1-1/8 x 5/8	30 x 15

Your source for information & services. Besides our complete Product Range we offer various information and services on our website for you. Here is an overview with direct links to the respective areas:

Online Catalog

Flip through this Catalog online and take advantage of the comfort features like searching, bookmarking, downloading etc.

» <http://catalog.usfutaba.com>



News Section

Be always up to date: find interesting reports, news and trends around the furniture industry in the news section of our website:

» <https://www.usfutaba.com/news/>



Find out more and be up to date:

» www.usfutaba.com

Conversion kg = lbs + oz.

kg	lbs	oz.
0.1	0	31/2
0.2	0	7
0.3	0	101/2
0.4	0	14
0.454	1	0
0.5	1	11/2
0.6	1	5
0.7	1	83/4
0.8	1	121/4
0.9	1	153/4
0.908	2	0
1.0	2	31/4
1.1	2	63/4
1.2	2	101/4
1.3	2	133/4
1.4	3	11/4
1.5	3	43/4
2.0	4	61/2
2.5	5	8
3.0	6	93/4
3.5	7	111/4
4.0	8	13
4.5	9	141/2
4.54	10	0
5.0	11	1/4
6.0	13	31/2
7.0	15	63/4
8.0	17	10
9.0	19	131/4
9.08	20	0
10	22	1/2
20	44	3/4
30	66	11/4
40	88	13/4
50	110	2

Conversion Inch - Millimeter

Fraction	Decimal	Millimeter
1/64	.015625	.39668
1/32	.03125	.79375
3/64	.046875	1.19063
1/16	.0625	1.58750
5/64	.078125	1.98438
3/32	.09375	2.38125
7/64	.109375	2.77813
1/8	.125	3.17500
9/64	.140625	3.57188
5/32	.15625	3.9687
11/64	.171875	4.36563
3/16	.1875	4.7625
13/64	.203125	5.15938
7/32	.21875	5.55625
15/64	.234375	5.95313
1/4	.250	6.3500
17/64	.265625	6.74688
9/32	.28125	7.14375
19/64	.296875	7.54063
5/16	.3125	7.93750
21/64	.328125	8.33438
11/32	.34375	8.73125
23/64	.359375	9.12813
3/8	.375	9.5250
25/64	.390625	9.92188
13/32	.40625	10.31875
27/64	.421875	10.71563
7/16	.4375	11.11250
29/64	.453125	11.50938
15/32	.46875	11.90625
31/64	.48375	12.30313
1/2	.500	12.700
33/64	.515625	13.09688
17/32	.53125	13.49375
35/64	.546875	13.89063
9/16	.5625	14.28750
37/64	.578125	14.68438
19/32	.59375	15.08125
39/64	.609375	15.47813
5/8	.625	15.87500
41/64	.640625	16.27188
21/32	.65625	16.66875
43/64	.671575	17.06563
11/16	.6875	17.46250
45/64	.703125	17.85938
23/32	.71875	18.25625
47/64	.734375	18.65312
3/4	.750	19.0500
49/64	.765625	19.44688
25/32	.78125	19.84375
51/64	.796875	20.24063
13/16	.8125	20.63750
53/64	.828125	21.03438
27/32	.84375	21.43125
55/64	.859375	21.8281
7/8	.875	22.22500
57/64	.890625	22.62188
29/32	.90625	23.01875
59/64	.921875	23.41563
15/16	.9375	23.81250
61/64	.953125	24.2093
31/32	.96875	24.60625
63/64	.984375	25.00313
1	1.000	25.4000

Get in contact with us!

We stand ready to be of service to you: Represented on both coasts and available 12 hours a day, we are a business partner you can rely on. Customer Service means more to us than just shipping merchandise.

We are available to answer your technical questions and encourage your input from the field. U.S. Futaba, Inc. is very interested in how we can help you develop a larger market share with quality products that your customers demand. Please let us know your ideas so we can help you build a stronger base and a solid future together.

Business Hours

From 8:00 a.m. to 5:00 p.m., Monday through Friday

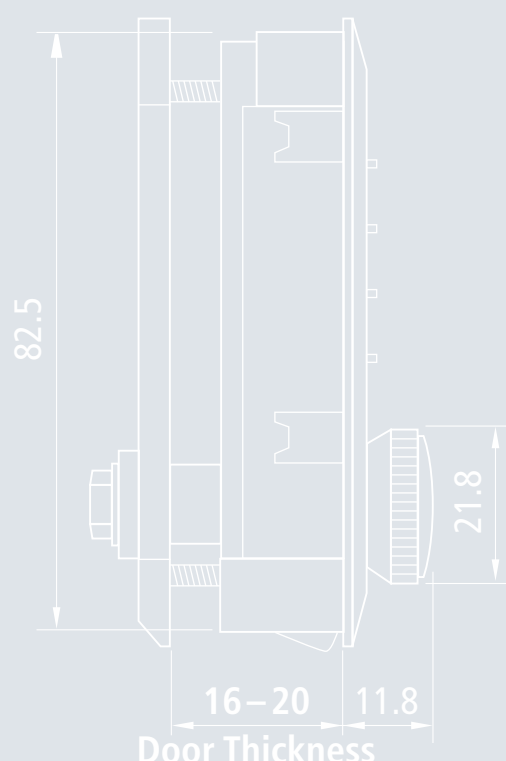
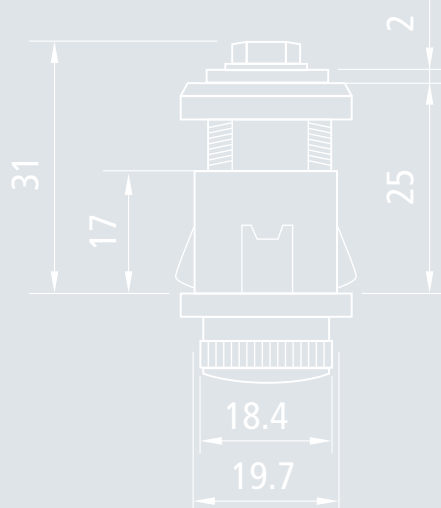
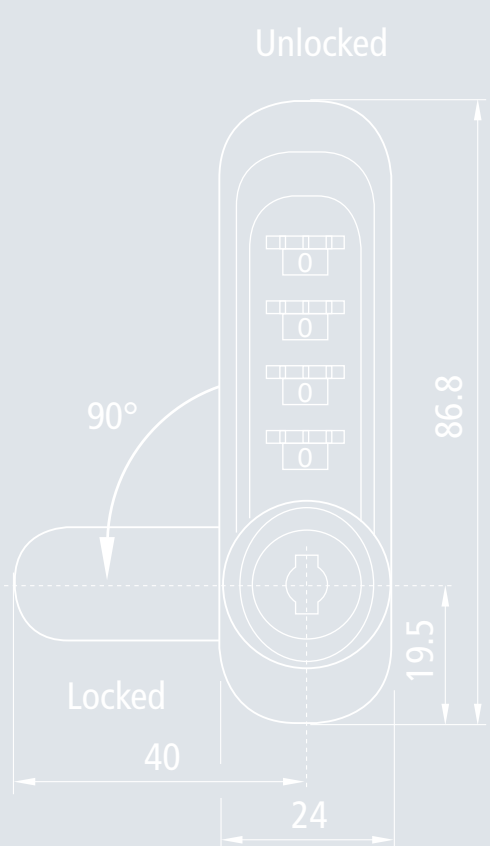
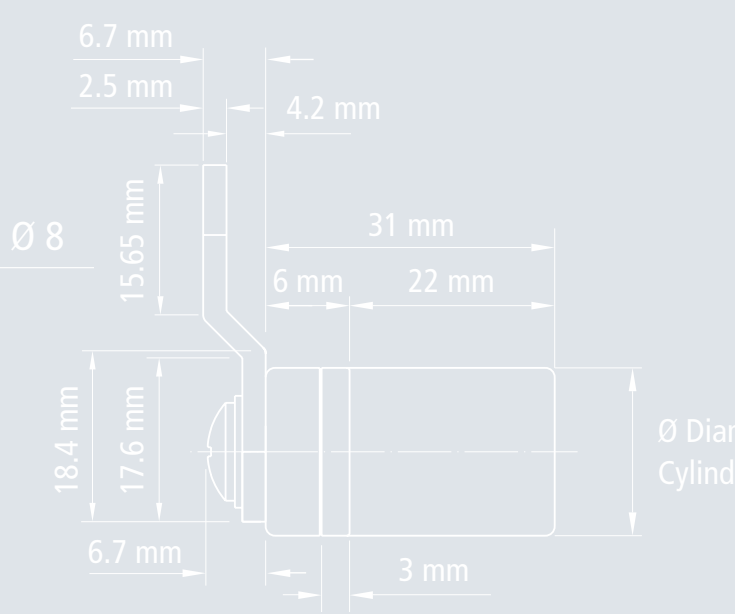
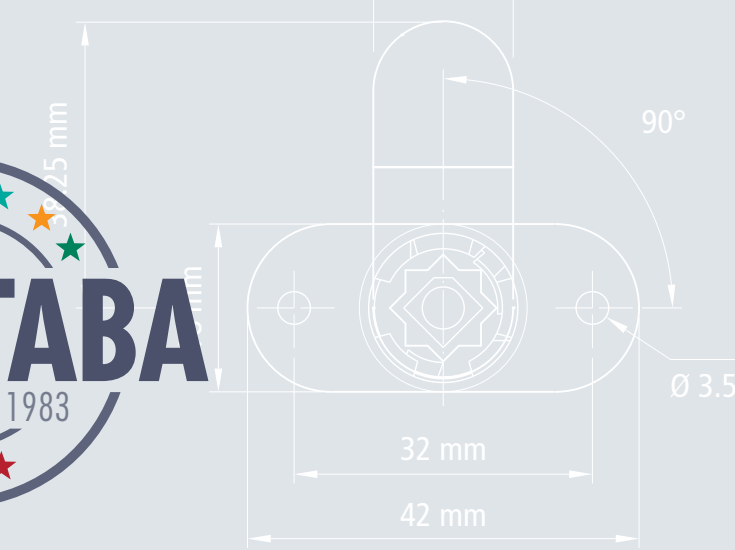
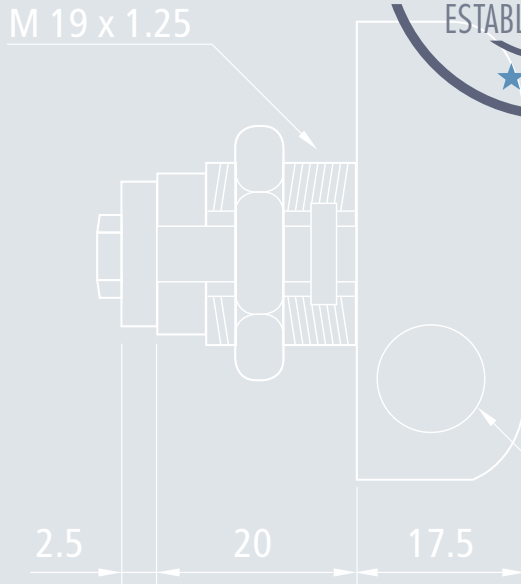
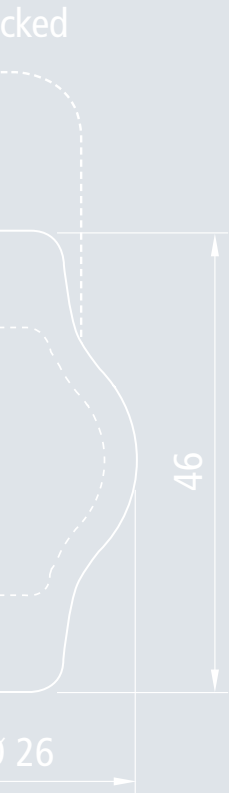
West Coast Headquarters & Warehouse

2901 West Garry Ave. · Santa Ana, CA 92704
Phone (800) 821-4007 · Fax (714) 751-2366

East Coast Branch

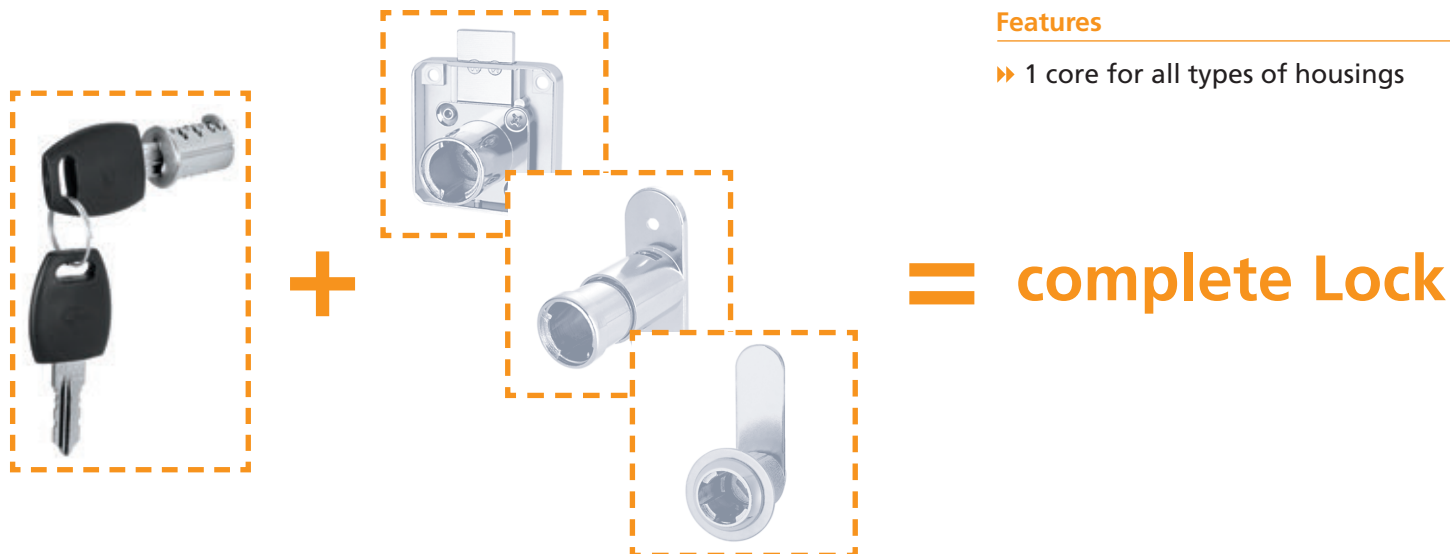
525 Byron Street, Suite C. · Chesapeake, VA 23320
Phone (877) 293-0584 · Fax (757) 549-9794

» email: sales@usfutaba.com



06
LOCKS

Removable Core System



Features

- ▶▶ 1 core for all types of housings

Cylinder Core and Keys



Features

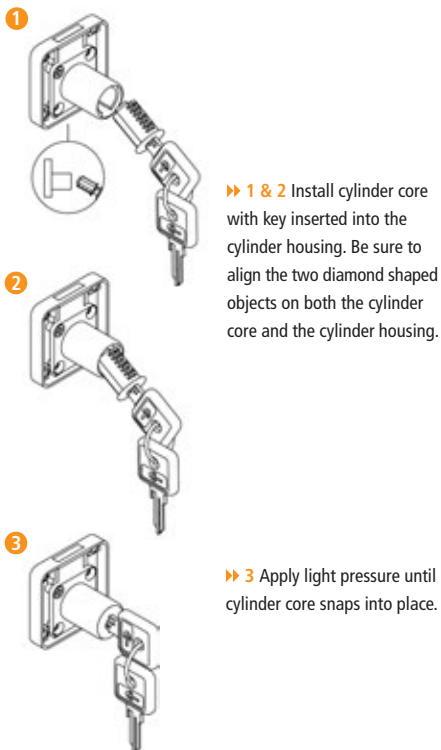
- ▶▶ Complete with 1 core and 2 keys
- ▶▶ 15 different key numbers or mixed key numbers
- ▶▶ All keys have Microban – material with antibacterial properties
- ▶▶ 3 finishes: blue, red, & black
- ▶▶ Packaging: 50 pieces/box

Special keys

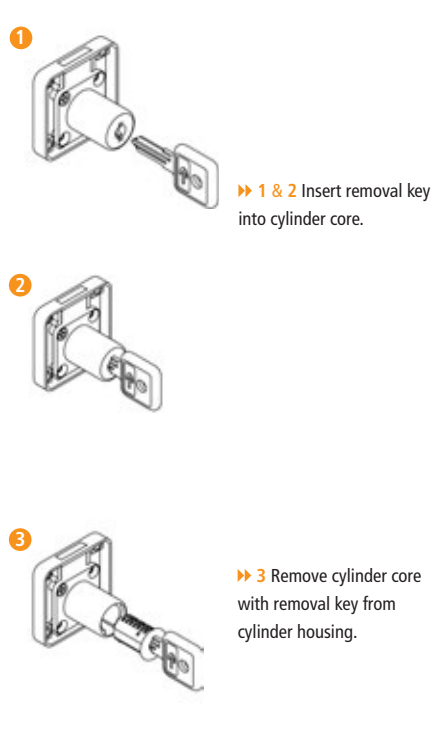


Item Number	Special keys	Color
31411 13 242	M1 Master Key	Blue
31511 25 781	M1 Core Removal Key	Red
31211 52 243	Key Blank	Black

Insertion of cylinder core (lock must be in open position)



Removal of cylinder core (lock must be in open position)



M1 core plus 2 keys:	Finishes		
	Black	Brass	Nickel
Mixed Key	31211 58 139	31211 57 108	31211 52 077
Key 0001	31211 58 140	31211 57 109	31211 52 078
Key 0002	31211 58 141	31211 57 110	31211 52 079
Key 0003	31211 58 142	31211 57 111	31211 52 080
Key 0004	31211 58 143	31211 57 112	31211 52 081
Key 0005	31211 58 144	31211 57 113	31211 52 082
Key 0006	31211 58 145	31211 57 114	31211 52 083
Key 0007	31211 58 146	31211 57 115	31211 52 084
Key 0008	31211 58 147	31211 57 116	31211 52 085
Key 0009	31211 58 148	31211 57 117	31211 52 086
Key 0010	31211 58 149	31211 57 118	31211 52 087
Key 0011	31211 58 150	31211 57 119	31211 52 088
Key 0012	31211 58 151	31211 57 120	31211 52 089
Key 0013	31211 58 152	31211 57 121	31211 52 090
Key 0014	31211 58 153	31211 57 122	31211 52 091
Key 0015	31211 58 154	31211 57 123	31211 52 092

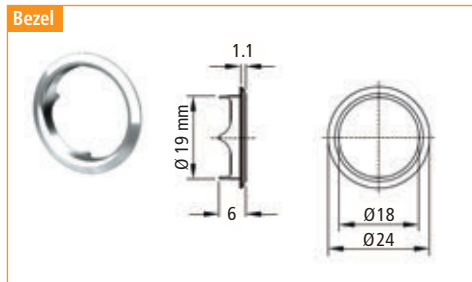
Cyber Lock

CLA 608

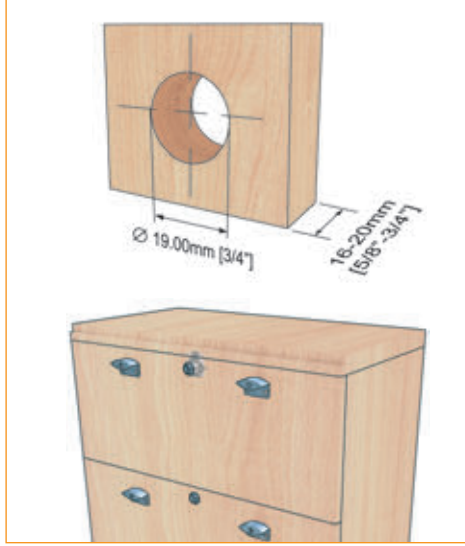
Features

- ▶ Zinc alloy diecast
- ▶ Click action mechanism
- ▶ Key is removable in locked & unlocked positions
- ▶ Diameter: 3/4" (19 mm)
- ▶ Barrel length: 7/8" (22 mm)
- ▶ Packaging: 25 pieces/box
- ▶ Core with keys sold separately – Page 60

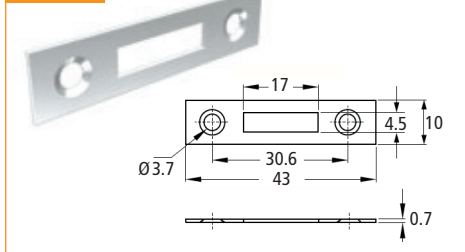
Set includes	Item Number	Finish
1 Lock housing	30131 58 011	Black
1 Bezel	30131 57 010	Brass
1 Strike plate	30131 52 008	Nickel



Drill Hole and application



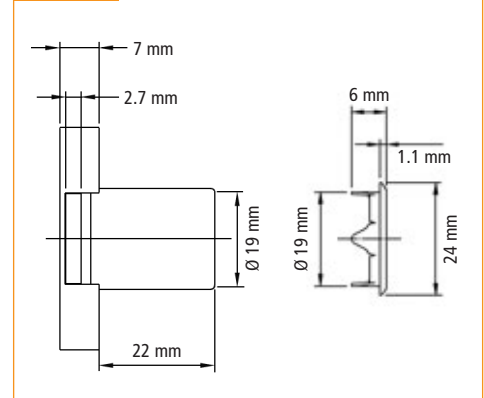
Strike Plate



Round Drawer Lock



Dimensions



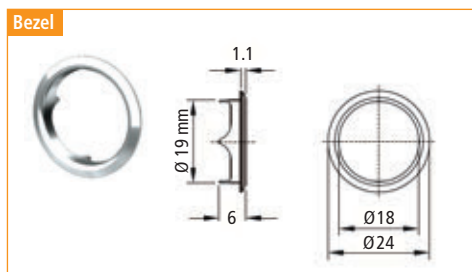
Cyber Lock

CLA 601

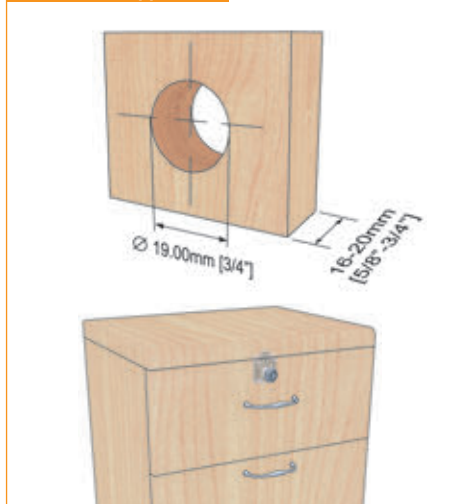
Features

- ▶ Zinc alloy diecast
- ▶ Click action mechanism
- ▶ Key is removable in locked & unlocked positions
- ▶ Diameter: 3/4" (19 mm)
- ▶ Barrel length: 7/8" (22 mm)
- ▶ Packaging: 25 pieces/box
- ▶ Core with keys sold separately – Page 60

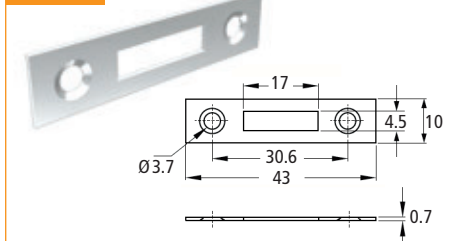
Set includes	Item Number	Finish
1 Lock housing	30231 58 018	Black
1 Bezel	30231 57 016	Brass
1 Strike plate	30231 52 012	Nickel



Drill hole and application



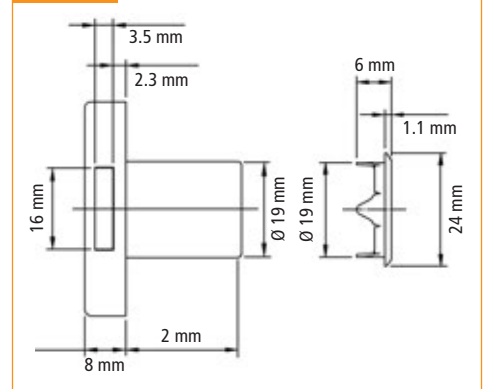
Strike Plate



Single Bolt Drawer Lock

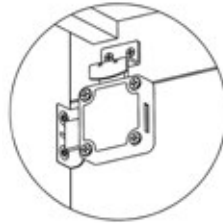
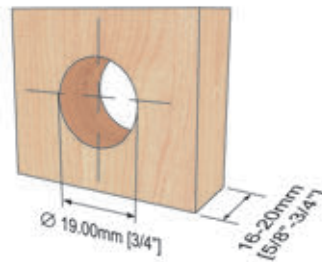


Dimensions





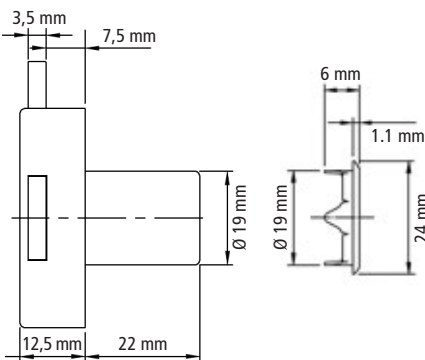
Drill hole and application



Features

- ▶▶ Zinc alloy diecast
- ▶▶ Click action mechanism
- ▶▶ Key is removable in locked & unlocked positions
- ▶▶ Diameter: 3/4" (19 mm)
- ▶▶ Barrel length: 7/8" (22 mm)
- ▶▶ Packaging: 20 pieces/box
- ▶▶ Core with keys sold separately – Page 60

Dimensions

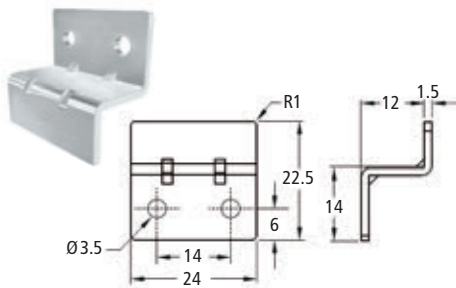


Set includes

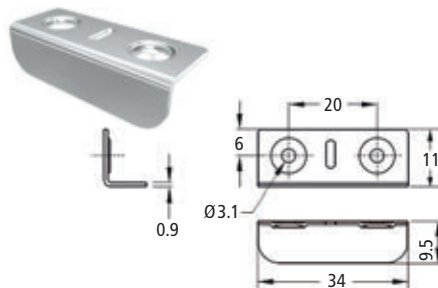
- 1 Lock housing
- 1 Bezel
- 1 Strike plate (L-Type)
- 1 Strike plate (Offset)

Item Number	Finish
30231 58 019	Black
30231 57 017	Brass
30231 52 014	Nickel

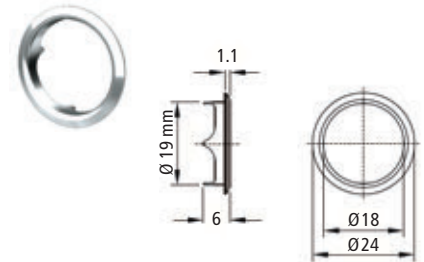
Offset Strike Plate



L-Type Strike Plate



Bezel

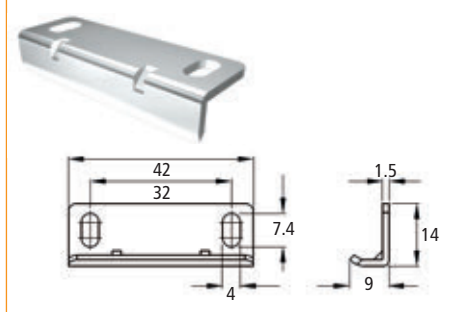


Features

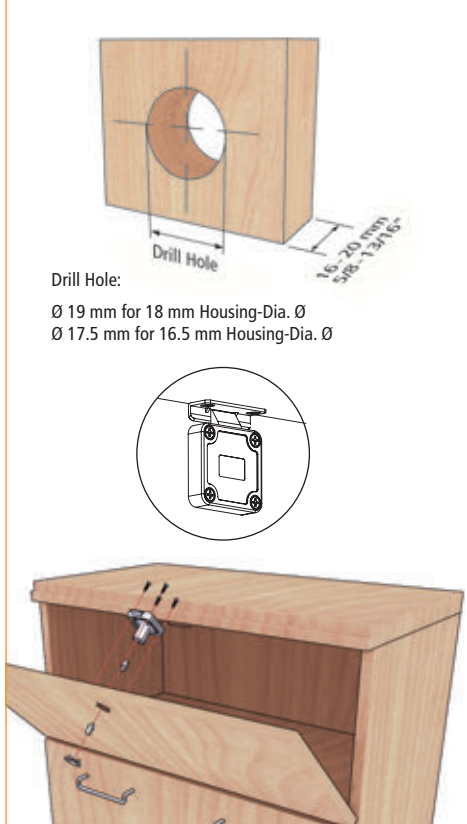
- ▶ Zinc alloy diecast
- ▶ Click action mechanism
- ▶ Automatically locks drawer if closed
- ▶ Anti-pick bracket ensures maximum security
- ▶ Suitable for two-drawer cabinet – no aluminum bar needed
- ▶ Suitable for swing door cabinet – no locking bolt needed
- ▶ Dim. D (for screw mounting): 25 mm
- ▶ Diameter: 3/4" (19 mm)
- ▶ Barrel length: 7/8" (22 mm)
- ▶ Packaging: 25 pieces/box
- ▶ Core with keys sold separately – Page 60

Set includes	Item Number	Finish
1 Lock housing	Special Order*	Black
1 Strike plate (L-Type)	Special Order*	Brass
1 Bezel	30231 52 015	Nickel

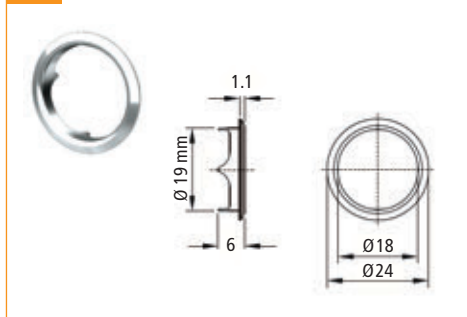
L-Type Strike Plate



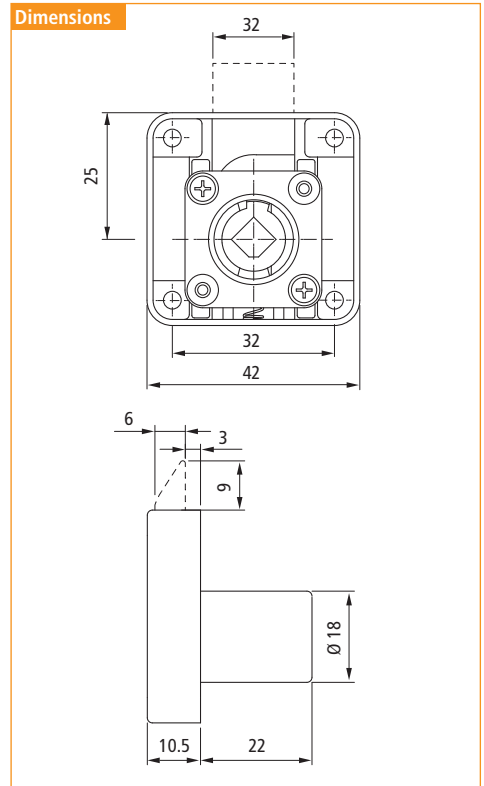
Drill Hole and application



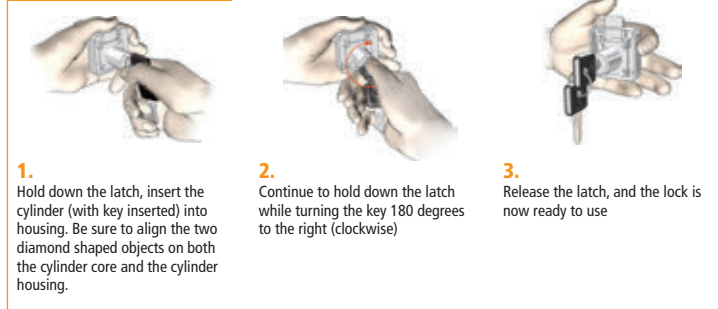
Bezel



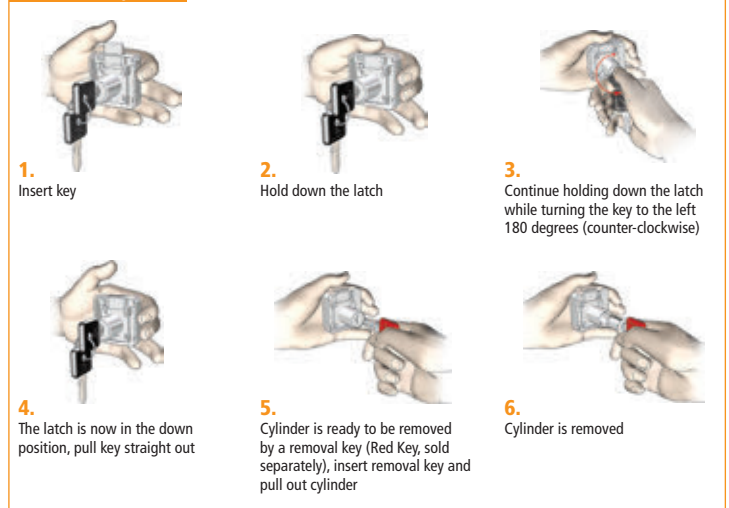
Dimensions



Preparing for installation



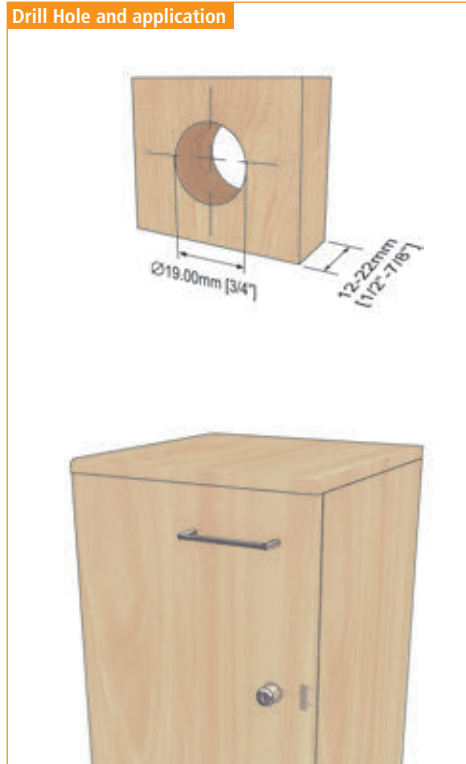
Removal of cylinder



* – Special Order Only – call for current pricing, minimum order quantity, and lead-time.



Drill Hole and application



Features

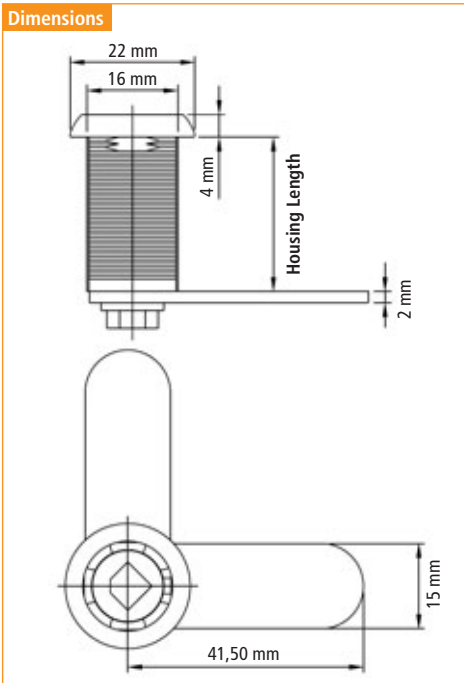
- ▶▶ Zinc alloy diecast
- ▶▶ Key is removable in locked & unlocked positions
- ▶▶ 90° cam rotation
- ▶▶ Cylinder housing comes in: 30 mm, 36.5 mm, & 44.5 mm
- ▶▶ Packaging: 25 pieces/box
- ▶▶ Core with keys sold separately – Page 60
- ▶▶ Different strike plates available
- ▶▶ Cylinder housing (special order): 11 mm, 16 mm, 20 mm, & 25 mm
 - 11 mm & 16 mm do not have removable cores

Set includes

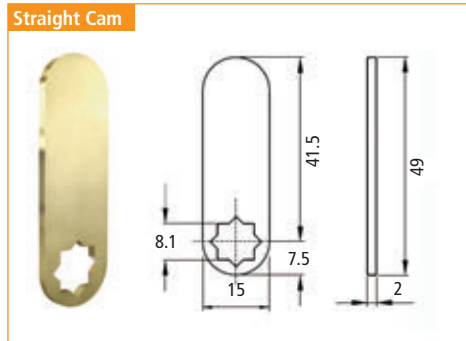
1 Lock housing
2 Cams (straight/offset)
1 Mounting screw
1 Washer
1 Steel nut

Item Number	Finish	Length
30111 58 003	Black	30mm
30111 57 002	Brass	30mm
30111 52 000	Nickel	30mm
30111 52 023	Nickel	36.5 mm
30111 52 024	Nickel	44.5 mm

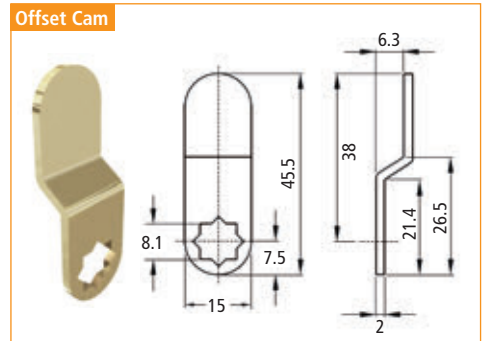
Dimensions



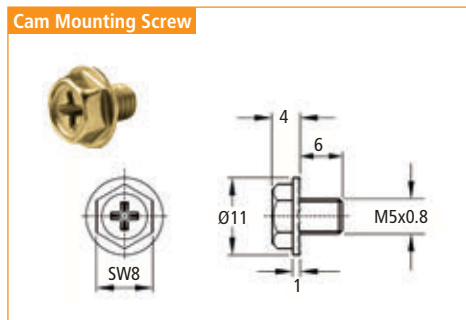
Straight Cam



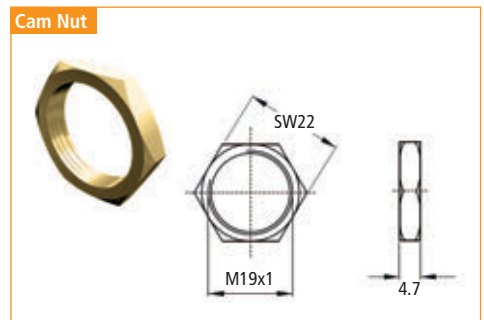
Offset Cam



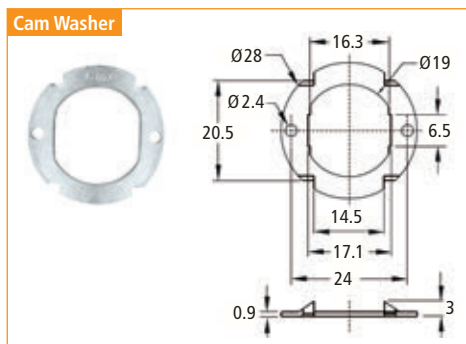
Cam Mounting Screw



Cam Nut



Cam Washer

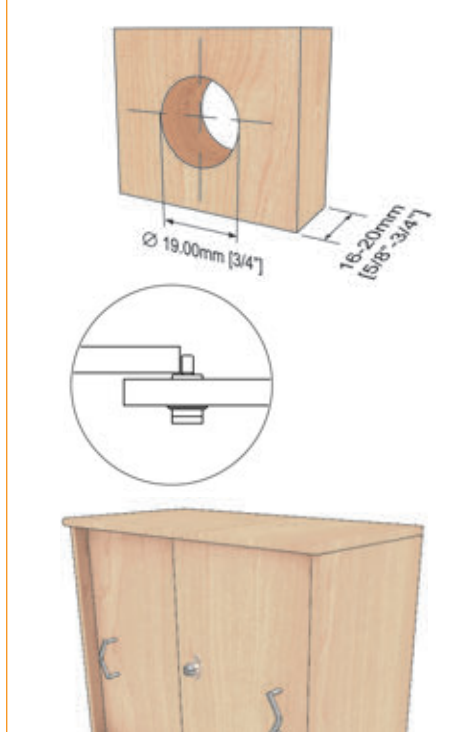


FOR OPTIONAL ITEMS SEE ACCESSORIES PAGES AT END OF LOCK SECTION

Features

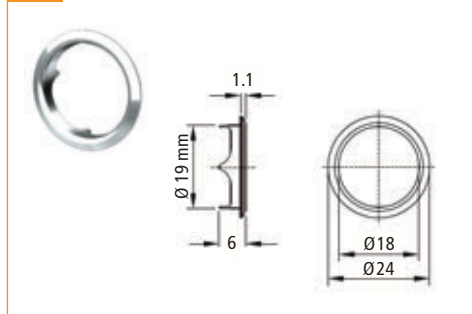
- ▶ Zinc alloy diecast
- ▶ Push-in locking – no key required to lock
- ▶ Key is removable in locked & unlocked positions
- ▶ M5 internal thread for locking pin
- ▶ Packaging: 25 pieces/box
- ▶ Core with keys sold separately – Page 60
- ▶ Optional extension pin – adds 5 mm – available

Drill hole and application

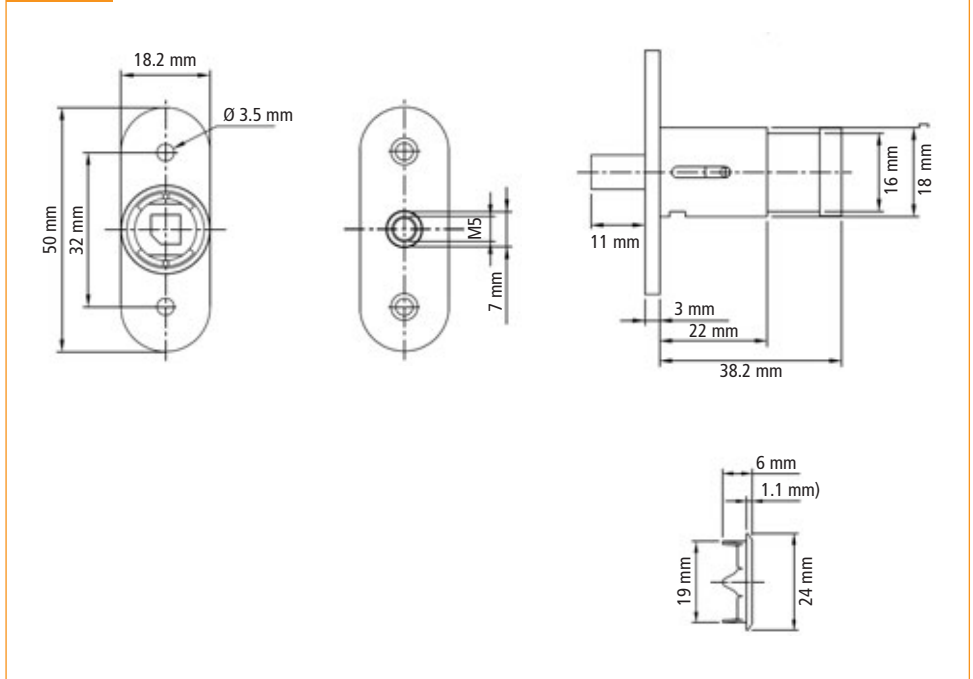


Set includes	Item Number	Finish
1 Lock housing	30121 58 007	Black
1 Bezel	30121 57 006	Brass
	30121 52 005	Nickel

Bezel



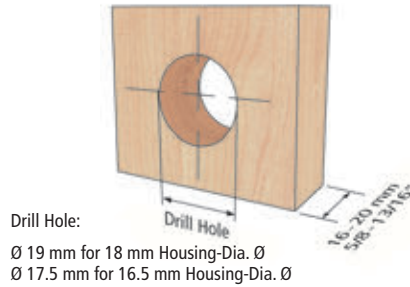
Dimensions



FOR OPTIONAL ITEMS SEE ACCESSORIES PAGES AT END OF LOCK SECTION



Drill hole and application



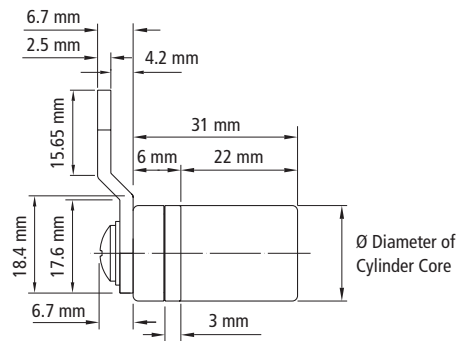
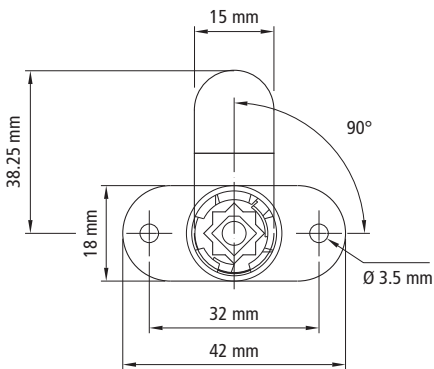
Features

- » Zinc alloy diecast
- » 90° cam rotation
- » 31 mm cylinder housing
- » Packaging: 25 pieces/box
- » Core with keys sold separately – Page 60
- » Different strike plates are available
- » Mounting screws are not included
- » Special order finishes: black & brass

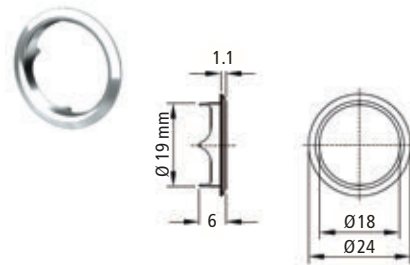
Set includes
1 Lock housing
1 Offset Cam
1 Bezel

Item Number	Finish
30111 58 022*	Black
Special Order*	Brass
30111 52 021	Nickel

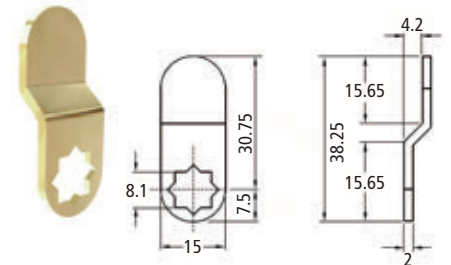
Dimensions



Bezel



Offset Cam



FOR OPTIONAL ITEMS SEE ACCESSORIES PAGES AT END OF LOCK SECTION

* – Special Order Only – call for current pricing, minimum order quantity, and lead-time.

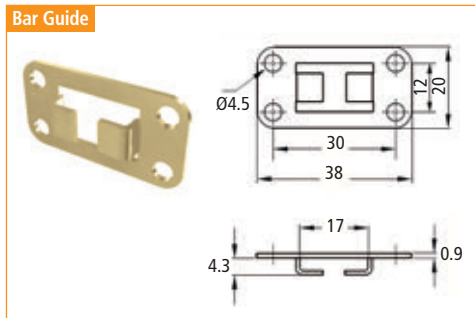
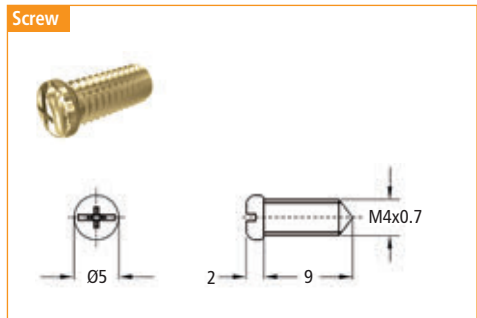
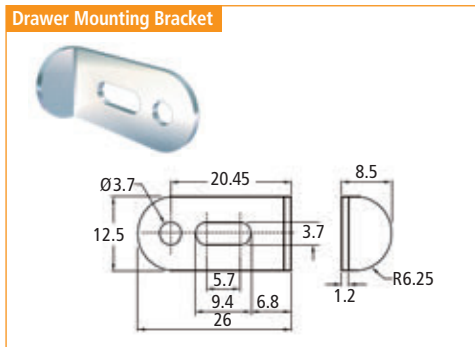
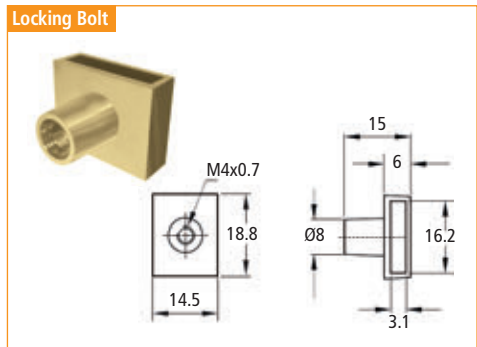
Cyber Lock

CLA 603

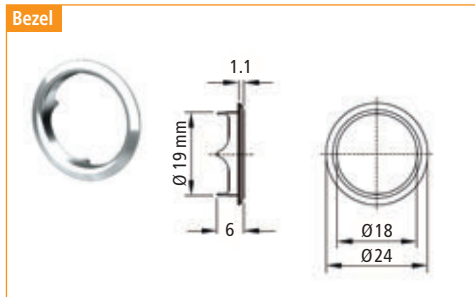
Features

- ▶ Zinc alloy diecast
- ▶ Front mounted
- ▶ Key is removable in locked & unlocked positions
- ▶ Diameter: 3/4" (19 mm)
- ▶ Finish: nickel
- ▶ Packaging: 50 pieces/box
- ▶ Core with keys sold separately – Page 60
- ▶ Aluminum bar – 23-5/8" (600 mm) included
 - 49-7/32" (1250 mm) is available
- ▶ Optional locking bolt extension available

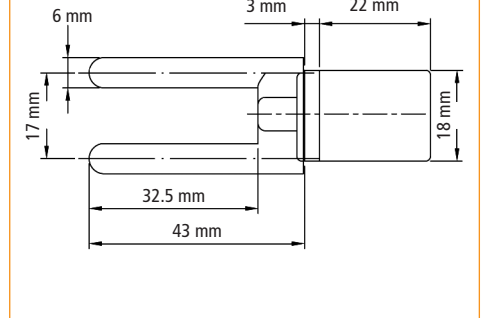
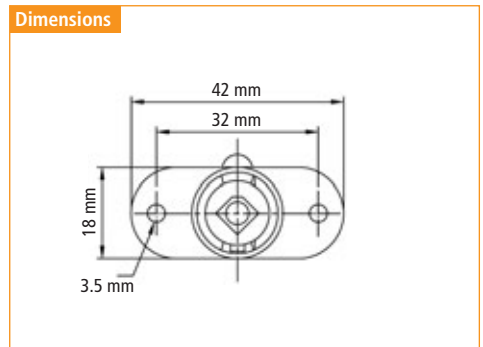
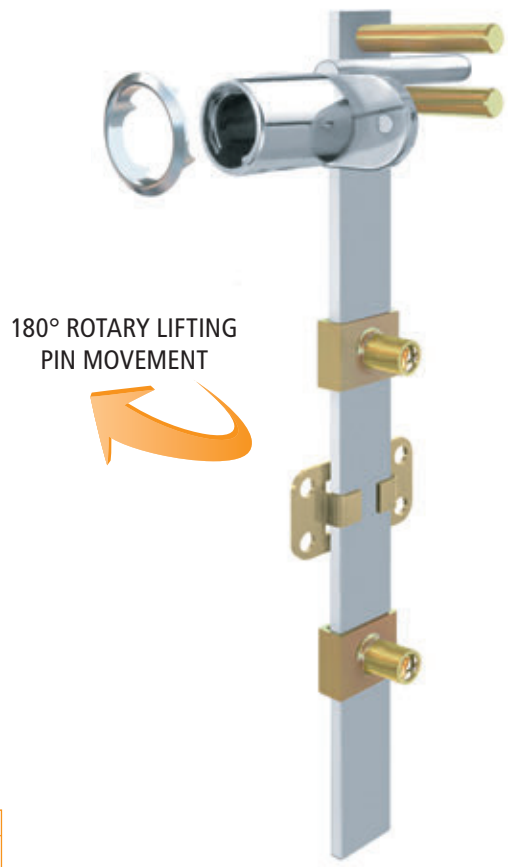
Set includes
1 Lock housing
1 Bezel
1 Aluminum bar 23-5/8" (600 mm)
3 Set screws
3 Locking bolts
2 Bar guides
3 Drawer mounting brackets

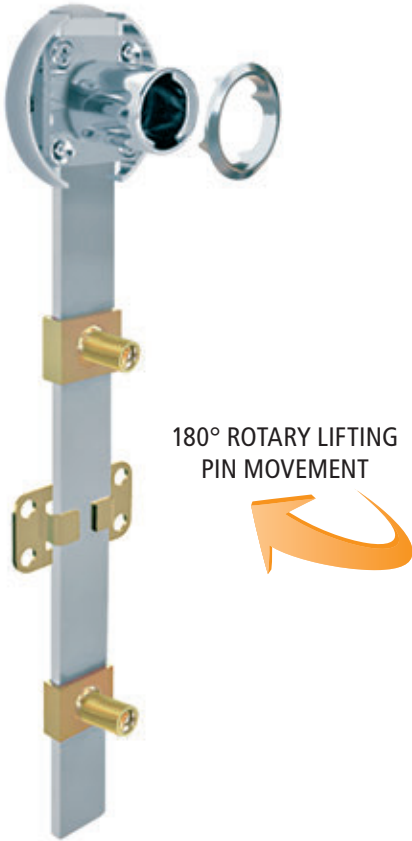


FOR OPTIONAL ITEMS SEE ACCESSORIES PAGES AT END OF LOCK SECTION



Front Mount Gang Lock





Features

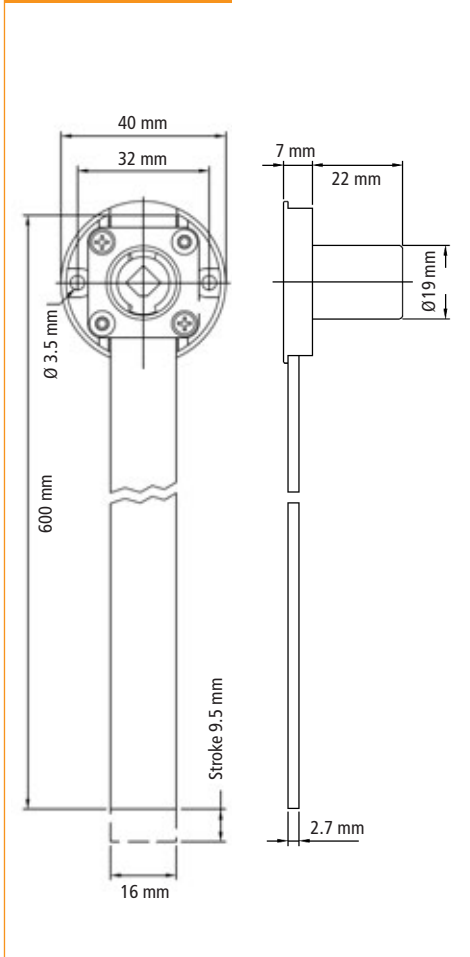
- » Zinc alloy diecast
- » Front mounted
- » Key is removable in locked & unlocked positions
- » Diameter: 3/4" (19 mm)
- » Finish: nickel
- » Packaging: 50 pieces/box
- » Core with keys sold separately – Page 60
- » Aluminum bar – 23-5/8" (600 mm) included
 - 49-7/32" (1250 mm) is available
- » Optional locking bolt extension available

Set includes

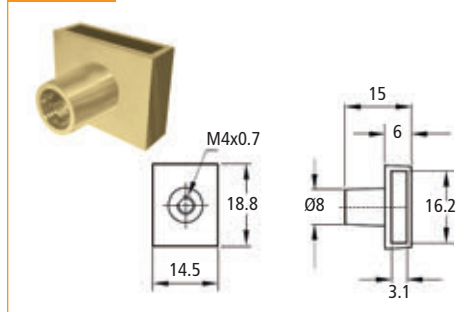
- 1 Lock housing
- 1 Bezel
- 1 Aluminum bar 23-5/8" (600 mm)
- 3 Set screws
- 3 Locking bolts
- 2 Bar guides
- 3 Drawer mounting brackets

Item Number	Description
32141 52 088	Side Mount Gang Lock

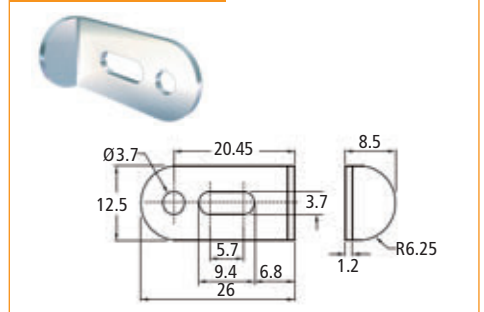
Dimensions



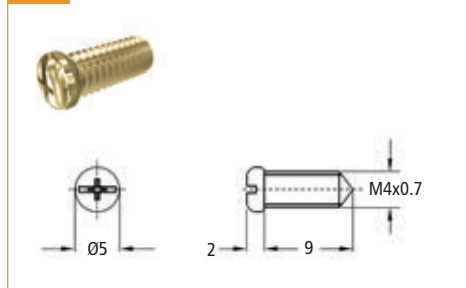
Locking Bolt



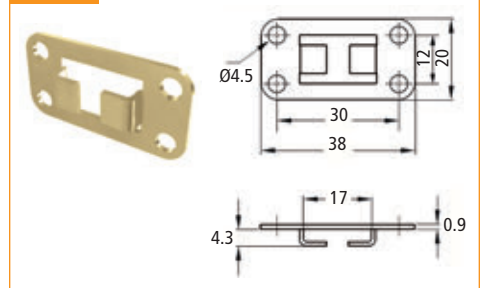
Drawer Mounting Bracket



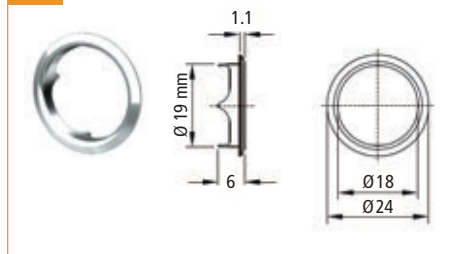
Screw



Bar Guide



Bezel



FOR OPTIONAL ITEMS SEE ACCESSORIES PAGES AT END OF LOCK SECTION

Features

- ▶ Metal within plastic housing
- ▶ Quick & easy installation
- ▶ 10,000 possible combinations
- ▶ Each lock comes with 2 modes:
 - Public – multiple users
 - Personal – single user
- ▶ Hole diameter required: 3" (76 mm)
- ▶ Suitable for thicknesses: 16 mm – 20 mm

Applications

- ▶ Office furniture
- ▶ Cabinets
- ▶ Lockers at gyms, school, and medical
- ▶ Personal locker and safe
- ▶ Subway
- ▶ Bowling alley

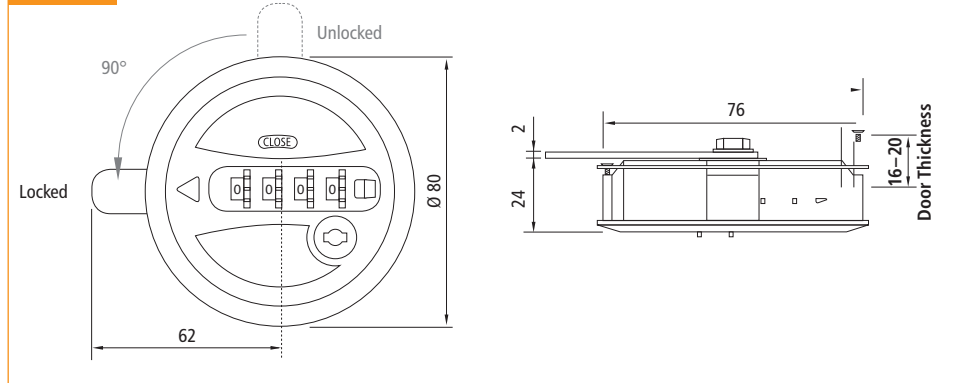


SMART KEY AND CODE RESETTING TOOL
(RESETS PERSONAL MODE TO FACTORY CODE)
SOLD SEPARATELY – SEE PAGE 95

Set includes	
1	Combination Lock
1	Straight Cam
2	Mounting Screws
1	Fixing Washer

Item Number	Description
32811 58 114*	4 Digit Combination Lock – Round

Dimensions

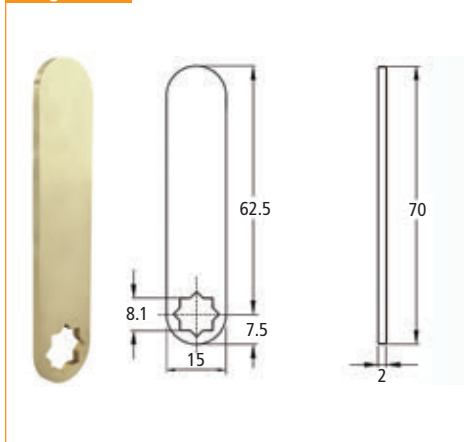


Backside Detail



FOR OPTIONAL ITEMS SEE ACCESSORIES PAGES AT END OF LOCK SECTION

Straight Cam



* – Special Order Only – call for current pricing, minimum order quantity, and lead-time.



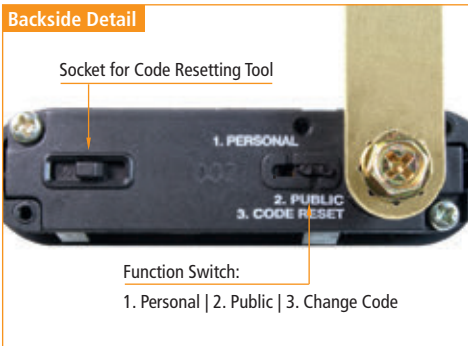
Features

- ▶▶ Metal within plastic housing
- ▶▶ Quick & easy installation
- ▶▶ 10,000 possible combinations
- ▶▶ Each lock comes with 2 modes:
 - Public – multiple users
 - Personal – single user
- ▶▶ Suitable for thicknesses: 16 mm – 20 mm

Applications

- ▶▶ Office furniture
- ▶▶ Cabinets
- ▶▶ Lockers at gyms, school, and medical
- ▶▶ Personal locker and safe
- ▶▶ Subway
- ▶▶ Bowling alley

SMART KEY AND CODE RESETTING TOOL
(RESETS PERSONAL MODE TO FACTORY CODE)
SOLD SEPARATELY – SEE PAGE 95

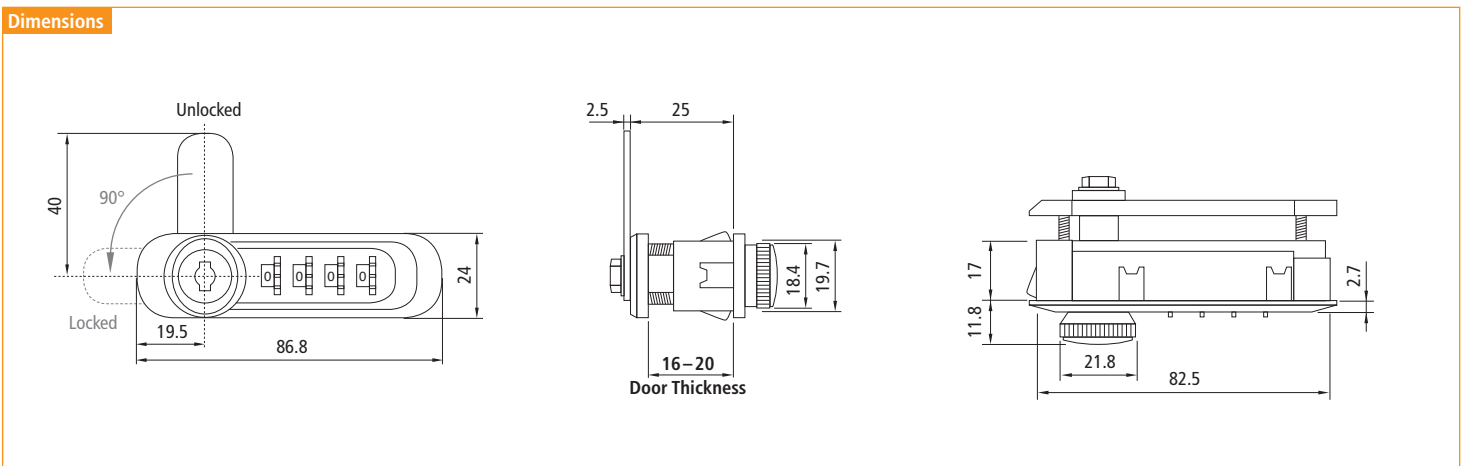
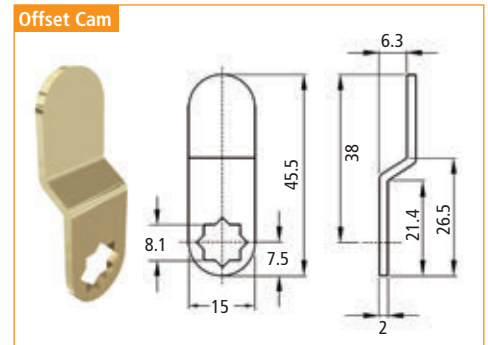
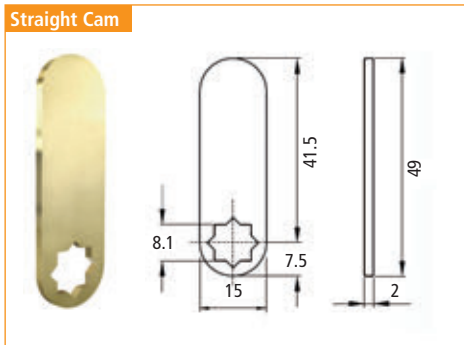
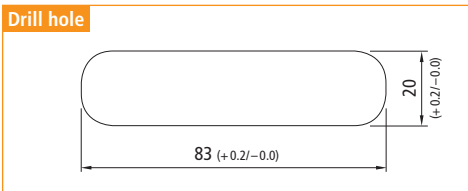


Set includes

1 Combination Lock
1 Straight Cam
1 Offset Cam
2 Mounting Screws
1 Fixing Plate

Item Number	Description
32811 58 115	4 Digit Combination Lock – Horizontal

FOR OPTIONAL ITEMS SEE ACCESSORIES PAGES AT END OF LOCK SECTION



Features

- ▶ Metal within plastic housing
- ▶ Quick & easy installation
- ▶ 10,000 possible combinations
- ▶ Each lock comes with 2 modes:
 - Public – multiple users
 - Personal – single user
- ▶ Suitable for thicknesses: 16 mm – 20 mm

Applications

- ▶ Office furniture
- ▶ Cabinets
- ▶ Lockers at gyms, school, and medical
- ▶ Personal locker and safe
- ▶ Subway
- ▶ Bowling alley



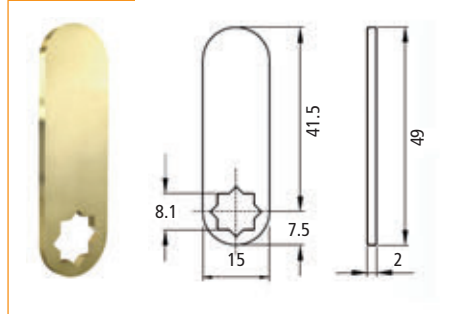
SMART KEY AND CODE RESETTING TOOL
(RESETS PERSONAL MODE TO FACTORY CODE)
SOLD SEPARATELY – SEE PAGE 95

Set includes

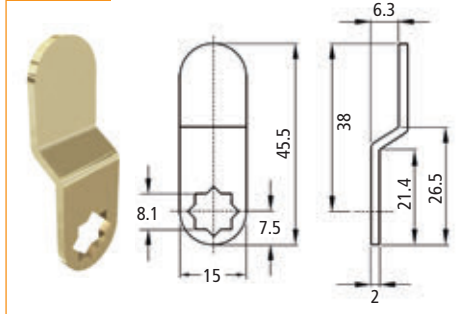
- 1 Combination Lock
- 1 Straight Cam
- 1 Offset Cam
- 2 Mounting Screws
- 1 Fixing Plate

Item Number	Description
32811 58 116	4 Digit Combination Lock – Vertical

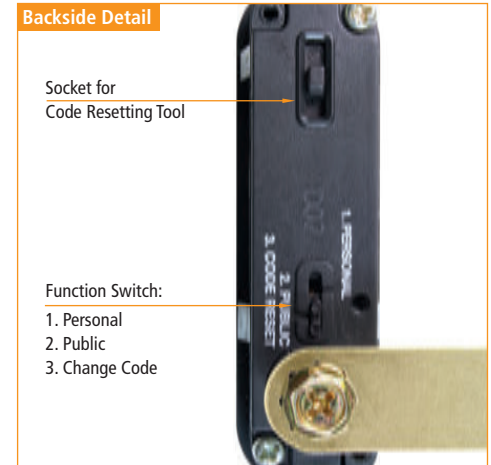
Straight Cam



Offset Cam



Backside Detail



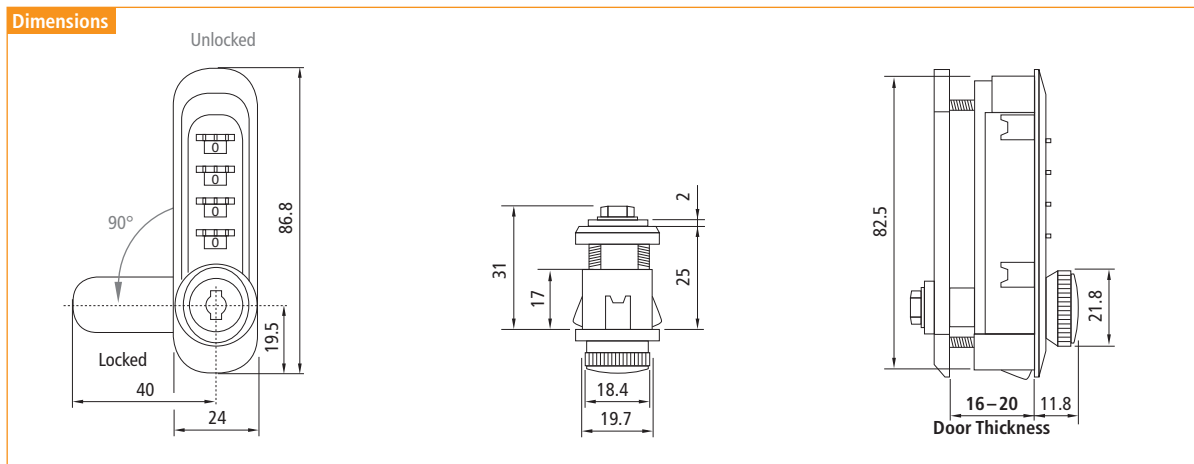
Socket for Code Resetting Tool

Function Switch:

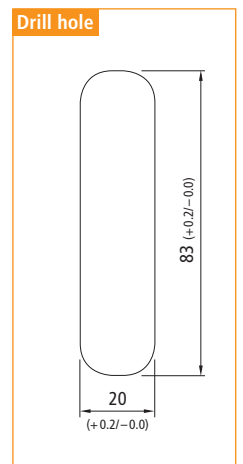
1. Personal
2. Public
3. Change Code

FOR OPTIONAL ITEMS SEE ACCESSORIES PAGES AT END OF LOCK SECTION

Dimensions



Drill hole



Concealed Push Knob Lock – Small



Unlocked

Features

- ▶▶ ABS brown plastic housing & strike
- ▶▶ Satin nickel knob & bezel
- ▶▶ Concealed knob when locked
- ▶▶ Keyless locking mechanism
- ▶▶ Hole diameter required: 3/4" (20 mm)
- ▶▶ Thickness of material: 5/8" – 1" (16 mm – 24 mm)
- ▶▶ Packaging: 100 pieces/box
- ▶▶ Special order for thicker materials available

Applications

- ▶▶ Cabinet doors and drawers
- ▶▶ RV's, campers, and boats
- ▶▶ Earthquake prone areas



Locked

Set includes	
1	Push lock
1	Bezel
1	Strike
2	Spacers 1 mm
2	Spacers 3 mm
4	Wood Screws (#6 x 1/2")

Item Number	Description
32991 59 109	Concealed Push Knob Lock – Small

Table for Spacers

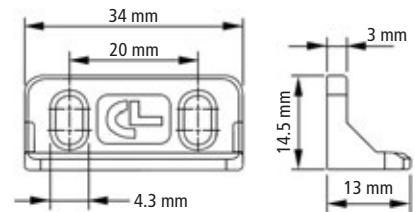
To install spacers, turn knob counter-clockwise and remove from the threaded shaft.

Slide spacer(s) over threaded shaft, and replace knob.

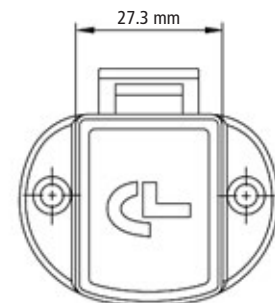
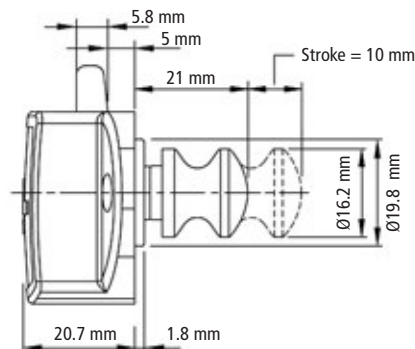
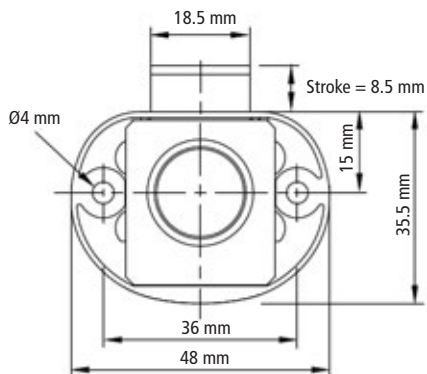
Use chart to determine required spacers for various material thickness's.

Wood Thickness	Quantity of Spacers	
	1 mm	3 mm
16 mm	–	–
17 mm	1	–
18 mm	2	–
19 mm	–	1
20 mm	1	1
21 mm	2	1
22 mm	–	2
23 mm	1	2
24 mm	2	2

L-Type Strike Plate



Dimensions



Features

- ▶ ABS brown plastic housing & strike
- ▶ Satin nickel knob & bezel
- ▶ Concealed knob when locked
- ▶ Keyless locking mechanism
- ▶ Hole diameter required:
1" (26 mm)
- ▶ Thickness of material:
5/8" – 1" (16 mm – 24 mm)
- ▶ Packaging: 100 pieces/box
- ▶ Special order for thicker materials available

Applications

- ▶ Cabinet doors and drawers
- ▶ RV's, campers, and boats
- ▶ Earthquake prone areas



Unlocked



Locked

Set includes

- 1 Push lock
- 1 Bezel
- 1 Strike
- 2 Spacers 1 mm
- 2 Spacers 3 mm
- 4 Wood Screws (#6 x 1/2")

Item Number	Description
32991 59 110	Concealed Push Knob Lock – Large

L-Type Strike Plate

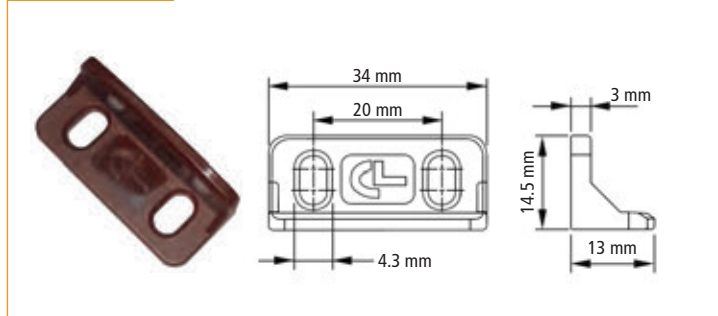


Table for Spacers

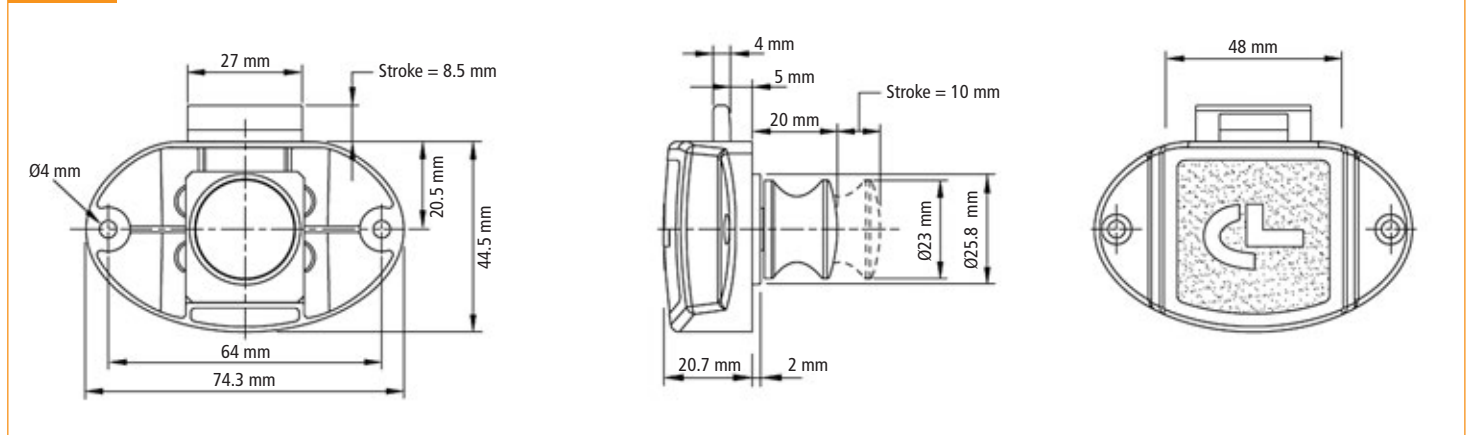
To install spacers, turn knob counter-clockwise and remove from the threaded shaft.

Slide spacer(s) over threaded shaft, and replace knob.

Use chart to determine required spacers for various material thickness's.

Wood Thickness	Quantity of Spacers	
	1 mm	3 mm
16 mm	–	–
17 mm	1	–
18 mm	2	–
19 mm	–	1
20 mm	1	1
21 mm	2	1
22 mm	–	2
23 mm	1	2
24 mm	2	2

Dimensions





Features

- ▶▶ Diecast materials
- ▶▶ Can be used as a knob or as a lock – with the use of a pad lock
- ▶▶ Knob will lock in place when pad lock is inserted
- ▶▶ Works with most standard U.S. pad locks
- ▶▶ For any door thickness up to 1/2" (12.7 mm)
- ▶▶ Required drill hole diameter: 3/4" (19 mm)

Applications

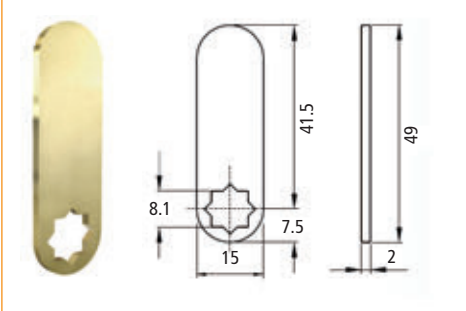
- ▶▶ Lockers
- ▶▶ Desks
- ▶▶ Cabinets
- ▶▶ Office furniture

Set includes

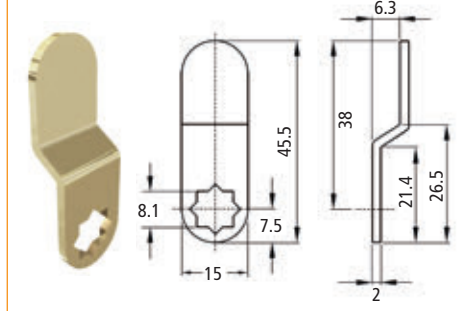
- 1 Lock
- 1 Straight Cam
- 1 Offset Cam
- 1 Cam Nut
- 1 Cam Washer

Item Number	Description
32711 52 118	Locker Lock

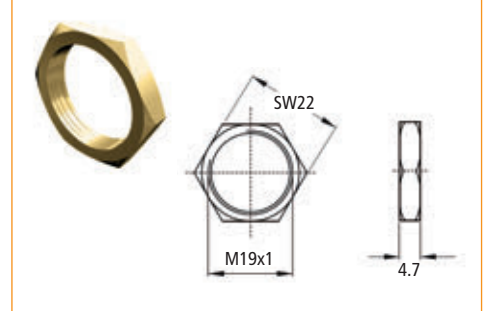
Straight Cam



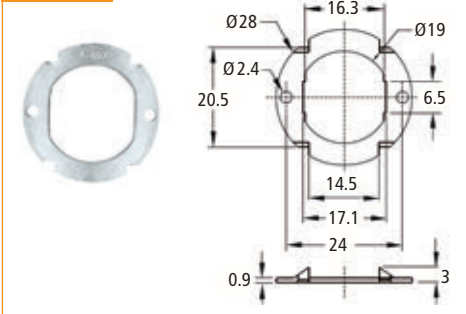
Offset Cam



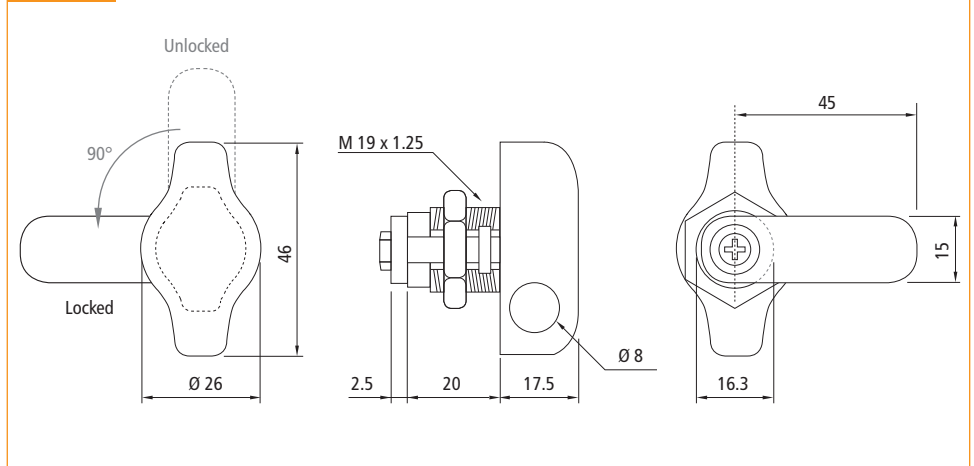
Cam Nut



Cam Washer



Dimensions



FOR OPTIONAL ITEMS SEE ACCESSORIES PAGES AT END OF LOCK SECTION

06

Features

- ▶ Diecast materials
- ▶ Knob spins freely with pad lock inserted for extra security
- ▶ Knob turns cam – opens lock – when pad lock is not inserted
- ▶ Works with most standard U.S. pad locks
- ▶ For any door thickness up to 3/4" (19 mm)
- ▶ Required drill hole diameter: 3/4" (19 mm)

Applications

- ▶ Lockers
- ▶ Desks
- ▶ Cabinets
- ▶ Office furniture

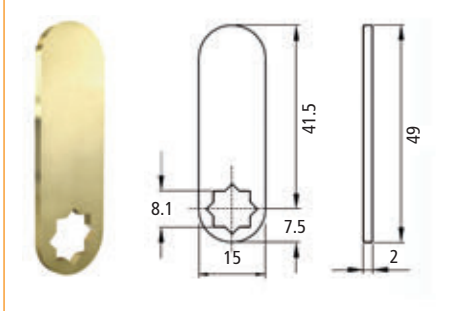


Set includes

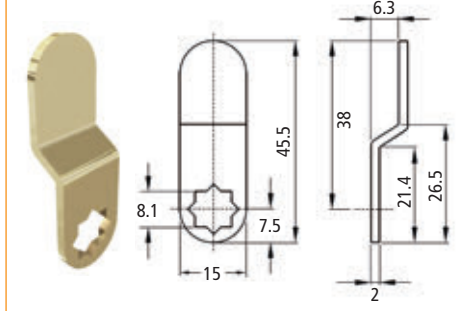
- 1 Lock
- 1 Straight Cam
- 1 Offset Cam
- 1 Cam Nut
- 1 Cam Washer

Item Number	Description
32711 52 117	Locker Lock with Clutch

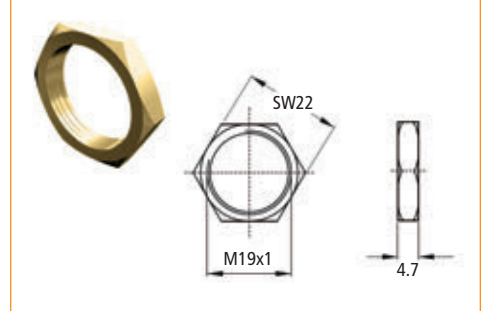
Straight Cam



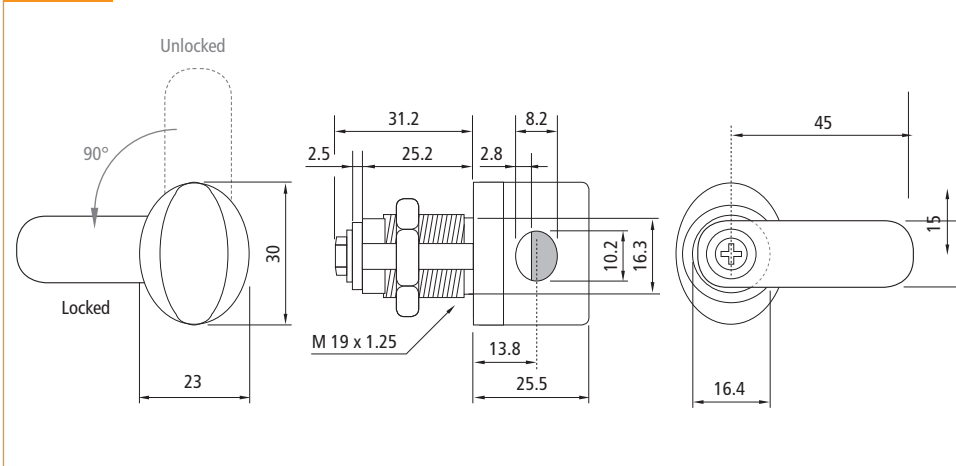
Offset Cam



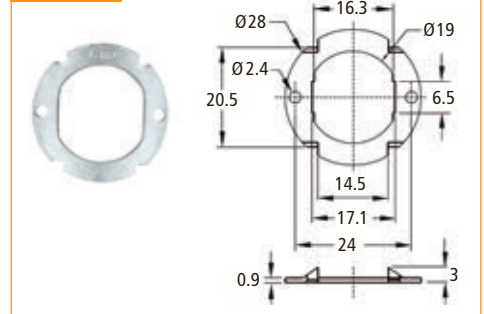
Cam Nut



Dimensions

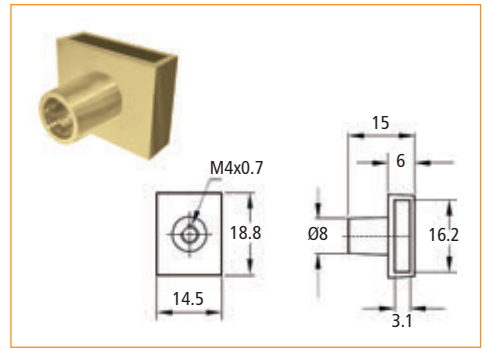
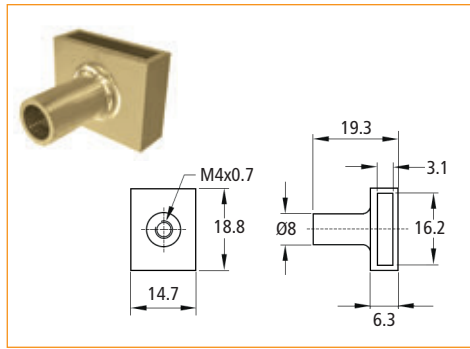
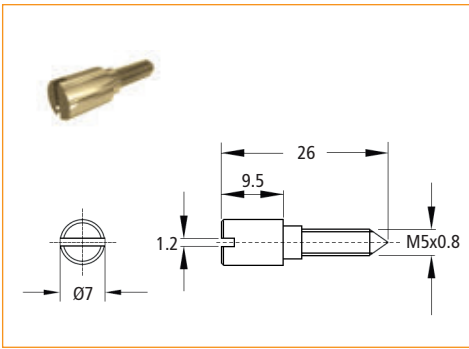


Cam Washer



FOR OPTIONAL ITEMS SEE ACCESSORIES PAGES AT END OF LOCK SECTION

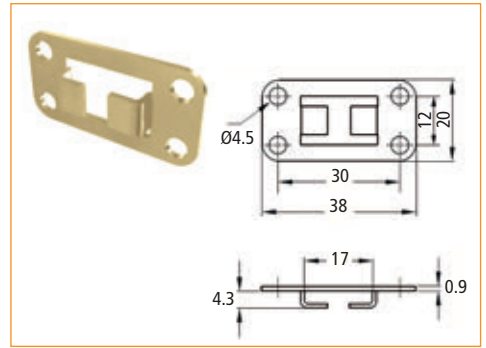
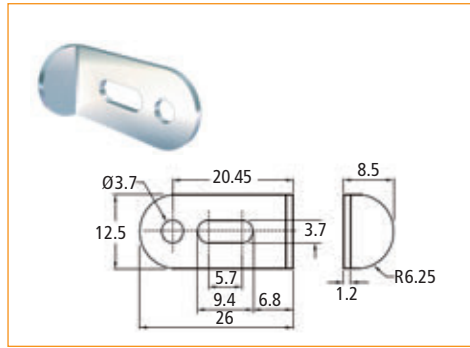
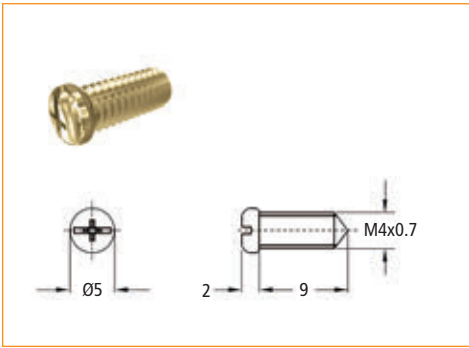
Gang Lock Accessories



Item Number	Description
33241 00 014	Gang Lock Locking Bolt Extension 26 mm

Item Number	Description
33341 00 004	Gang Lock Locking Bolt

Item Number	Description
33141 04 012	Gang Lock Locking Bolt

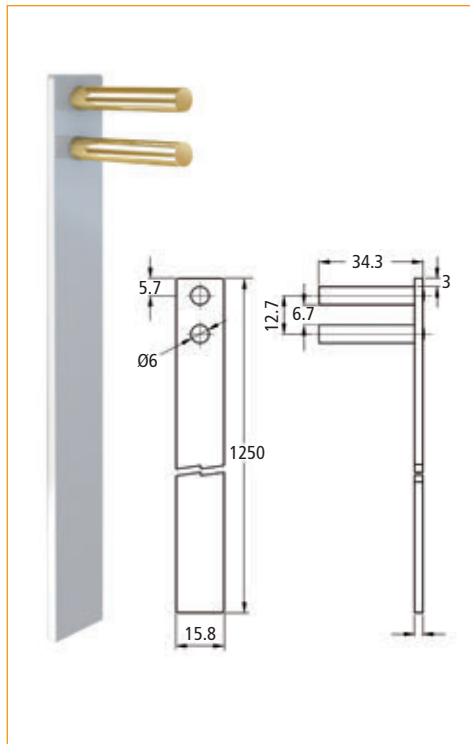
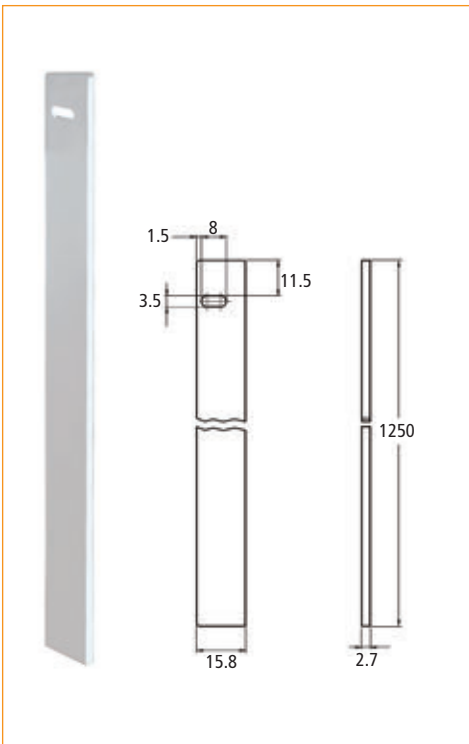


Item Number	Description
33241 04 015	Screw for Gang Lock Locking Bolt

Item Number	Description
33441 00 013	Gang Lock Drawer Mounting Bracket

Item Number	Description
33341 03 759	Gang Lock Bar Guide

06



Item Number	Description
33341 40 016	Side Mount Gang Lock Bar 1250 mm

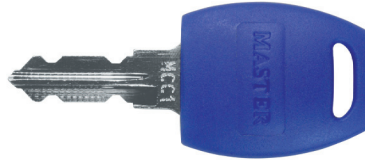
Item Number	Description
33341 40 766	Front Mount Gang Lock Bar 1250 mm

Removable Core System Accessories



Item Number	Description
31211 52 243	Key Blank

Opens every core.



Item Number	Description
31411 13 242	M1 Master Key

Removes each core from every housing.

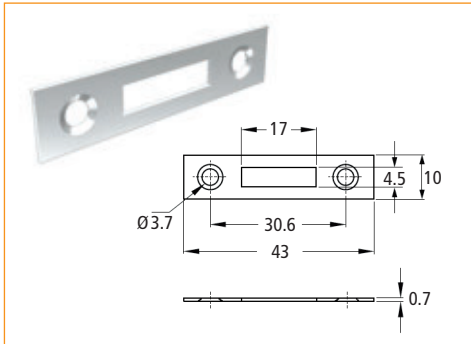


Item Number	Description
31511 25 781	M1 Core Removal Key

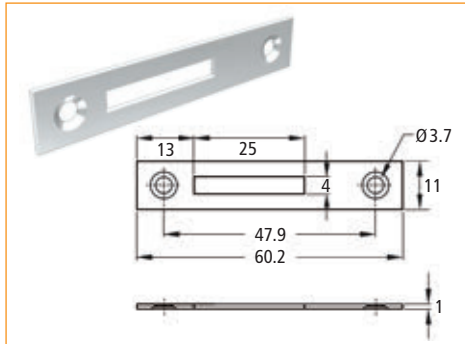


Item Number	Description
33991 12 035	Plastic Dummy Core

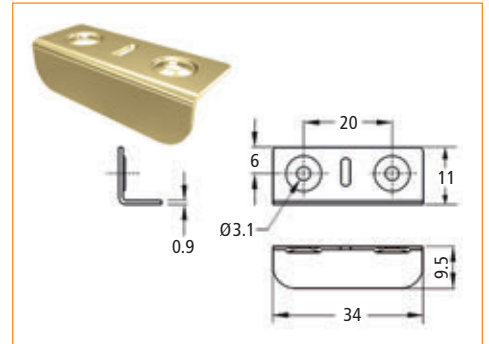
Strike Plates



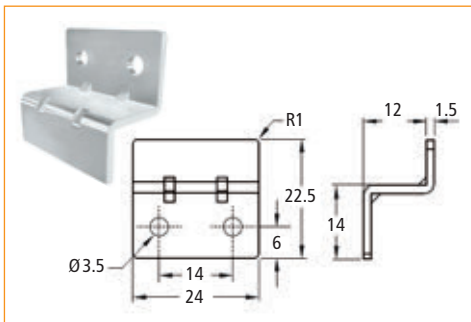
Item Number	Description
33431 46 008	Strike Plate



Item Number	Description
33411 04 760	Offset Strike Plate

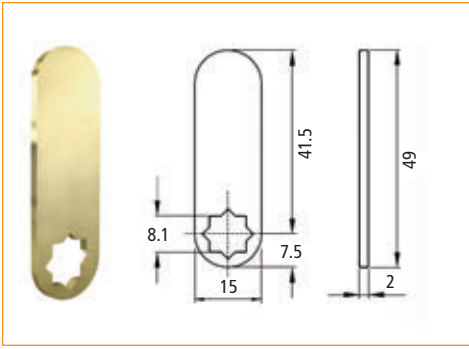


Item Number	Description
33431 03 009	L-Type Strike Plate

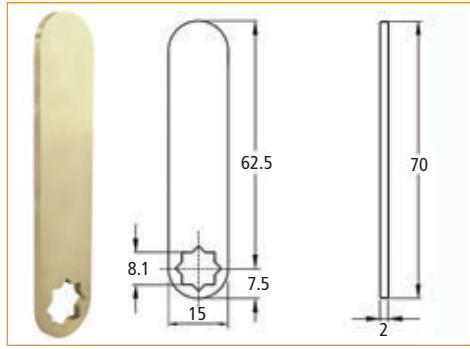


Item Number	Description
33431 46 010	Offset Strike Plate

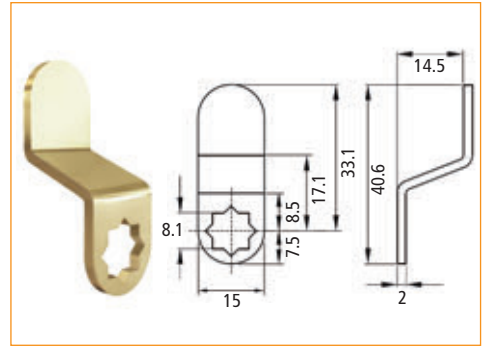
Cams



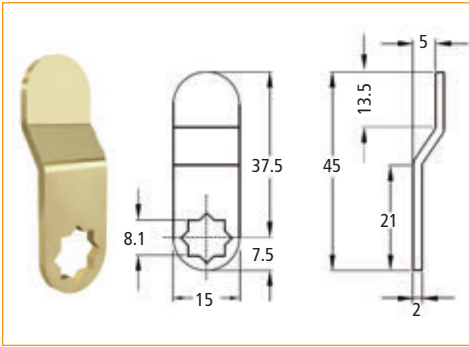
Item Number	Description
33611 03 021	Straight Cam



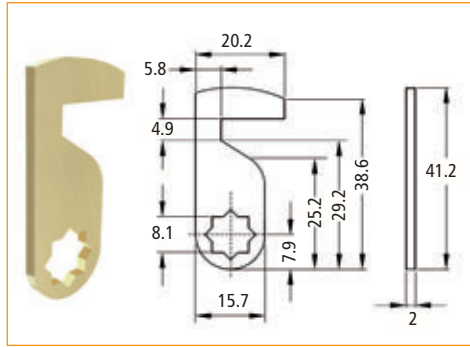
Item Number	Description
33611 03 031	Cam 70 mm



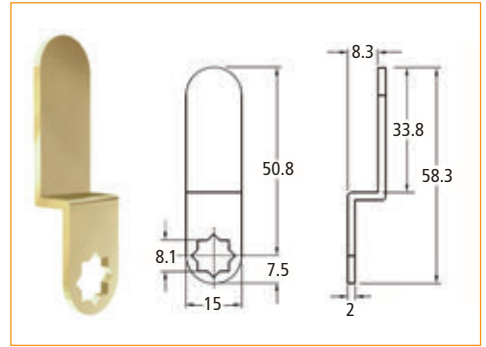
Item Number	Description
33611 03 023	Offset Cam 40.6 mm



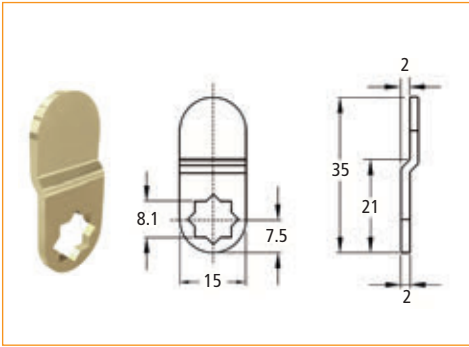
Item Number	Description
33611 03 032	Offset Cam



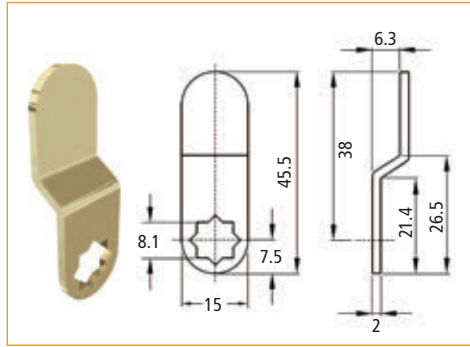
Item Number	Description
33911 03 754*	Notches Cam 41.2 mm



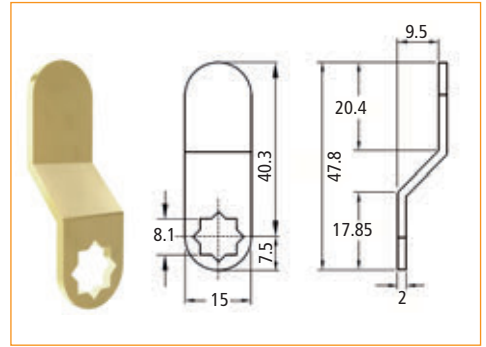
Item Number	Description
33611 03 027	Offset Cam 58.3 mm



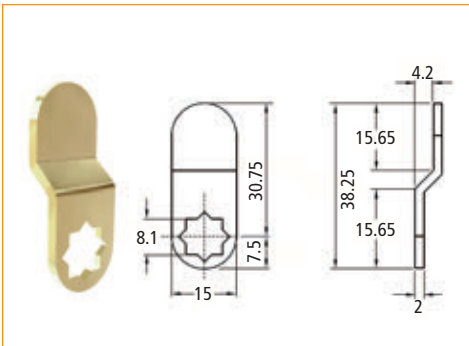
Item Number	Description
33611 03 033	Offset Cam 35 mm



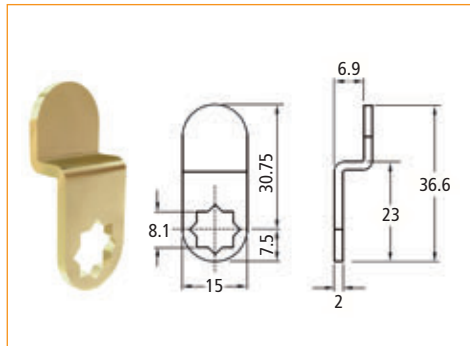
Item Number	Description
33611 03 034	Offset Cam 45.5 mm



Item Number	Description
33611 03 024	Offset Cam 47.8 mm



Item Number	Description
33611 03 025	Offset Cam 30.75

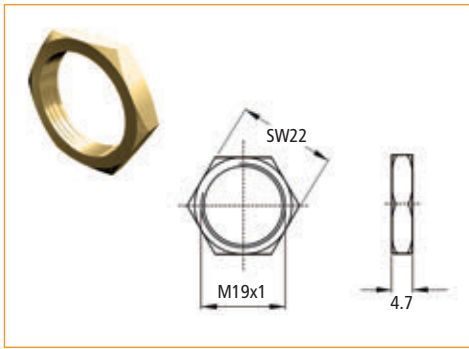


Item Number	Description
33611 03 026	Offset Cam 36.32 mm

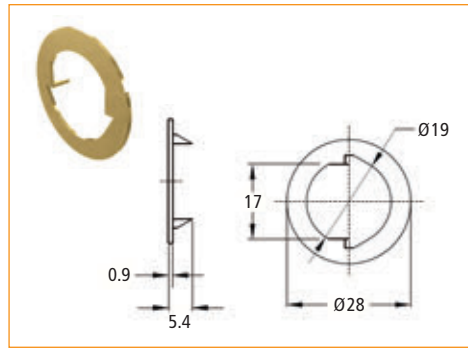
* – Special Order Only – call for current pricing, minimum order quantity, and lead-time.

06

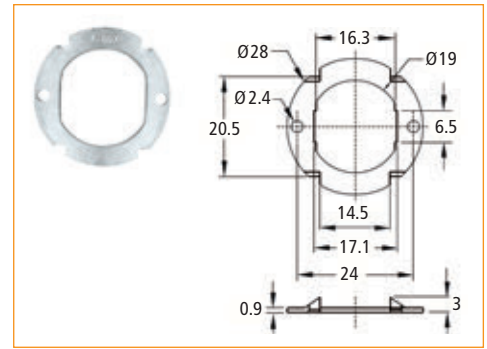
Various Lock Accessories



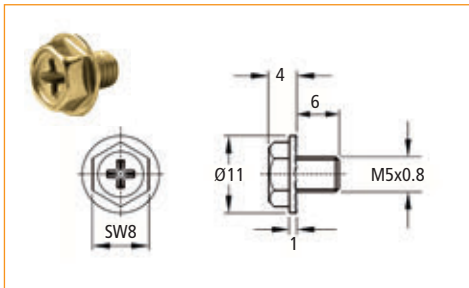
Item Number	Description
33111 04 040	Cam Nut



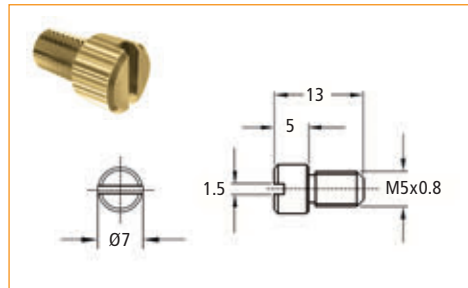
Item Number	Description
74139 03 095	Cam Washer



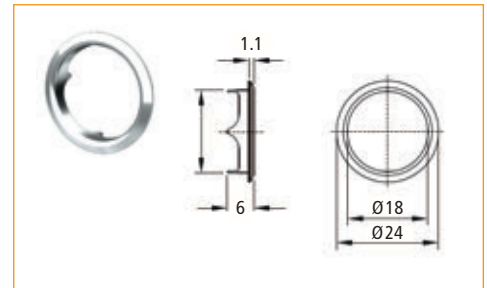
Item Number	Description
74139 03 094	Cam Washer



Item Number	Description
74111 03 096	Cam Mounting Screw



Item Number	Description
33221 00 007	Extension Pin for Push Lock



Item Number	Description
33591 52 018	Bezel Nickel
33591 58 020	Bezel Black
33591 57 019	Bezel Brass

Combination Lock Accessories

Finds user code when user forgets code or is unavailable.



Item Number	Description
32911 58 113	Black Smart Key

Resets personal code to factory code.



Item Number	Description
32911 00 112	Code Resetting Tool

Your source for information & services. Besides our complete Product Range we offer various information and services on our website for you. Here is an overview with direct links to the respective areas:

Online Catalog

Flip through this Catalog online and take advantage of the comfort features like searching, bookmarking, downloading etc.

▶▶ <http://catalog.usfutaba.com>



News Section

Be always up to date: find interesting reports, news and trends around the furniture industry in the news section of our website:

▶▶ <https://www.usfutaba.com/news/>



Find out more and be up to date:

▶▶ www.usfutaba.com

Conversion kg = lbs + oz.

kg	lbs	oz.
0.1	0	31/2
0.2	0	7
0.3	0	101/2
0.4	0	14
0.454	1	0
0.5	1	11/2
0.6	1	5
0.7	1	83/4
0.8	1	121/4
0.9	1	153/4
0.908	2	0
1.0	2	31/4
1.1	2	63/4
1.2	2	101/4
1.3	2	133/4
1.4	3	11/4
1.5	3	43/4
2.0	4	61/2
2.5	5	8
3.0	6	93/4
3.5	7	111/4
4.0	8	13
4.5	9	141/2
4.54	10	0
5.0	11	1/4
6.0	13	31/2
7.0	15	63/4
8.0	17	10
9.0	19	131/4
9.08	20	0
10	22	1/2
20	44	3/4
30	66	11/4
40	88	13/4
50	110	2

Get in contact with us!

We stand ready to be of service to you: Represented on both coasts and available 12 hours a day, we are a business partner you can rely on. Customer Service means more to us than just shipping merchandise.

We are available to answer your technical questions and encourage your input from the field. U.S. Futaba, Inc. is very interested in how we can help you develop a larger market share with quality products that your customers demand. Please let us know your ideas so we can help you build a stronger base and a solid future together.

Business Hours

From 8:00 a.m. to 5:00 p.m., Monday through Friday

West Coast Headquarters & Warehouse

2901 West Garry Ave. · Santa Ana, CA 92704
Phone (800) 821-4007 · Fax (714) 751-2366

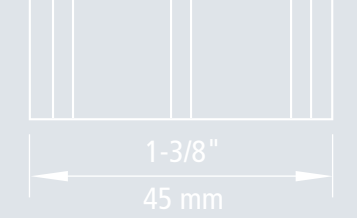
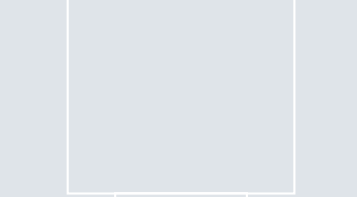
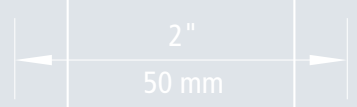
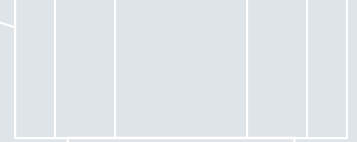
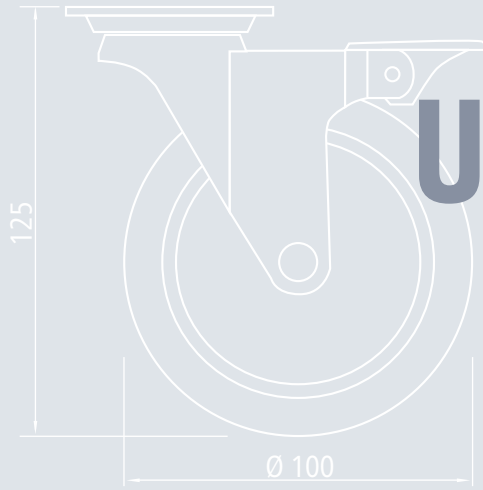
East Coast Branch

525 Byron Street, Suite C. · Chesapeake, VA 23320
Phone (877) 293-0584 · Fax (757) 549-9794

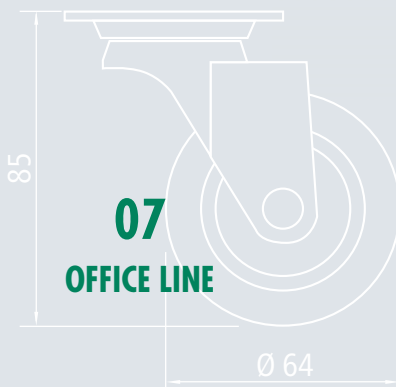
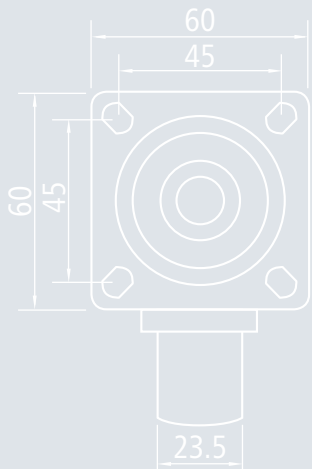
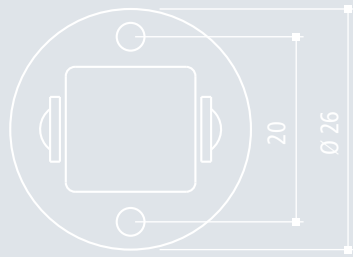
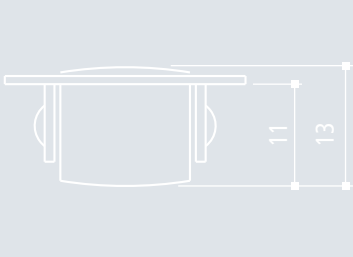
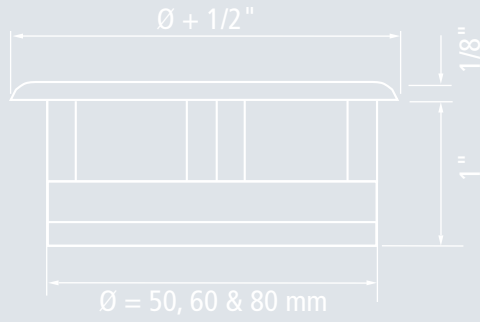
▶▶ email: sales@usfutaba.com

Conversion Inch - Millimeter

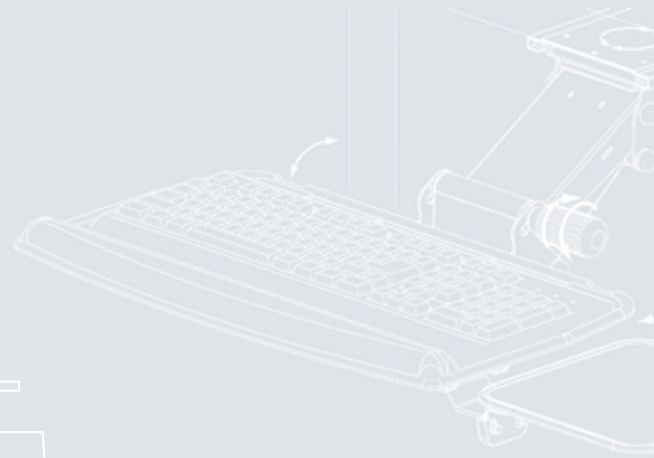
Fraction	Decimal	Millimeter
1/64	.015625	.39668
1/32	.03125	.79375
3/64	.046875	1.19063
1/16	.0625	1.58750
5/64	.078125	1.98438
3/32	.09375	2.38125
7/64	.109375	2.77813
1/8	.125	3.17500
9/64	.140625	3.57188
5/32	.15625	3.9687
11/64	.171875	4.36563
3/16	.1875	4.7625
13/64	.203125	5.15938
7/32	.21875	5.55625
15/64	.234375	5.95313
1/4	.250	6.3500
17/64	.265625	6.74688
9/32	.28125	7.14375
19/64	.296875	7.54063
5/16	.3125	7.93750
21/64	.328125	8.33438
11/32	.34375	8.73125
23/64	.359375	9.12813
3/8	.375	9.5250
25/64	.390625	9.92188
13/32	.40625	10.31875
27/64	.421875	10.71563
7/16	.4375	11.11250
29/64	.453125	11.50938
15/32	.46875	11.90625
31/64	.48375	12.30313
1/2	.500	12.700
33/64	.515625	13.09688
17/32	.53125	13.49375
35/64	.546875	13.89063
9/16	.5625	14.28750
37/64	.578125	14.68438
19/32	.59375	15.08125
39/64	.609375	15.47813
5/8	.625	15.87500
41/64	.640625	16.27188
21/32	.65625	16.66875
43/64	.671575	17.06563
11/16	.6875	17.46250
45/64	.703125	17.85938
23/32	.71875	18.25625
47/64	.734375	18.65312
3/4	.750	19.0500
49/64	.765625	19.44688
25/32	.78125	19.84375
51/64	.798575	20.24063
13/16	.8125	20.63750
53/64	.828125	21.03438
27/32	.84375	21.43125
55/64	.859375	21.8281
7/8	.875	22.22500
57/64	.890625	22.62188
29/32	.90625	23.01875
59/64	.921875	23.41563
15/16	.9375	23.81250
61/64	.953125	24.2093
31/32	.96875	24.60625
63/64	.984375	25.00313
1	1.000	25.4000



Short Type 4 – 5-1/8" (100 – 130 mm)



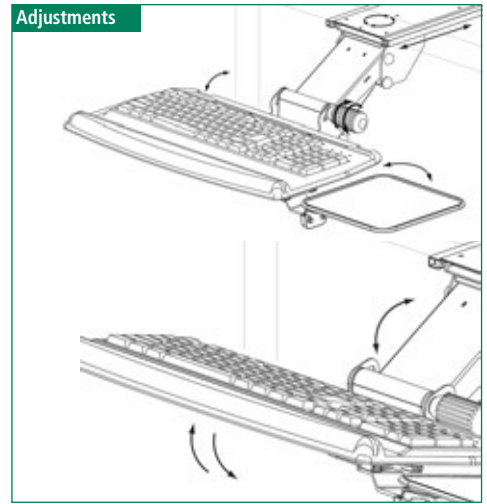
07
OFFICE LINE



Keyboard Arm & Tray



Adjustments



Item Number	Description
60518 80 046*	Keyboard Arm and Tray

Features

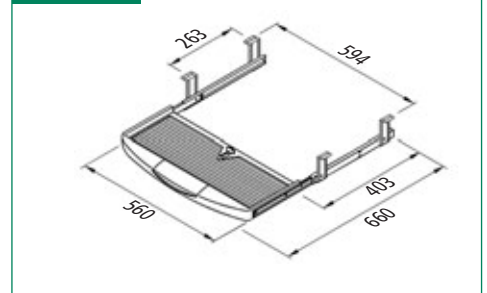
- ▶▶ Steel frame with a black coating
- ▶▶ Friction track
- ▶▶ 360° rotation
- ▶▶ Load capacity: 99 lbs. (45 kg)

- ▶▶ Adjustable components:
 - "non-knob" adjusts height
 - The keyboard tray's height is independently adjusted
 - Mouse tray has both a swivel for 215° tilt adjustment & an ambidextrous friction disconnect – for right & left placements of the tray
 - Gel wrist rest – tilt adjustable

Keyboard Drawer



Dimensions



Item Number	Description
60211 12 006	Keyboard Drawer

Features

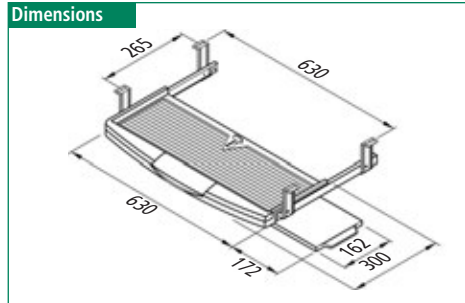
- ▶▶ Ball bearing slides
- ▶▶ Easy assembly of L-brackets
- ▶▶ Pencil box with cover

- ▶▶ Keyboard stopper is adjustable, but secure for steady operation
- ▶▶ Colors: black
- ▶▶ Ask for the mouse tray (89220)

* – Special Order Only – call for current pricing, minimum order quantity, and lead-time.

Keyboard Drawer with Mouse Tray

Item Number	Description
60211 12 007	Keyboard Drawer with Mouse Tray

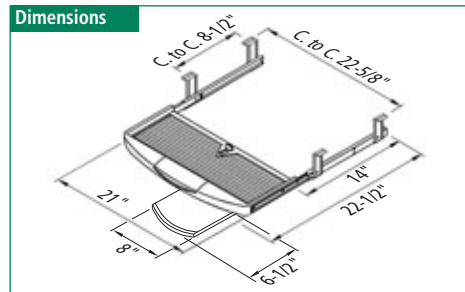


Features

- ▶▶ Ball bearing slides
- ▶▶ Pull-out mouse tray retracts
- ▶▶ Hold-in & hold-out detent
- ▶▶ Keyboard stopper is adjustable, but secure for steady operation
- ▶▶ Wrist rest
- ▶▶ Accessory compartment
- ▶▶ Requires 8 screws to install
- ▶▶ Dimensions (L x W x H):
 - 23" x 1-3/4" x 3"
 - 585 mm x 300 mm x 75 mm
- ▶▶ Color: black tray & slides

Keyboard Drawer with Front Mouse Tray

Item Number	Description
60211 12 048*	Keyboard Drawer with Front Mouse Tray

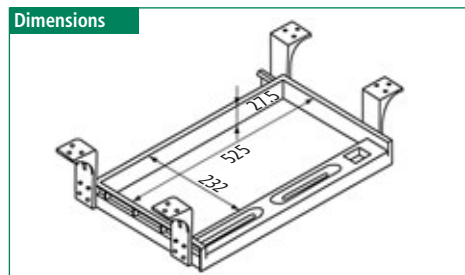


Features

- ▶▶ Ball bearing slides
- ▶▶ Pull-out mouse tray retracts
- ▶▶ Hold-in & hold-out detent
- ▶▶ Keyboard stopper is adjustable, but secure for steady operation
- ▶▶ Wrist rest
- ▶▶ Accessory compartment
- ▶▶ Requires 8 screws to install
- ▶▶ Height adjustable mounting brackets
- ▶▶ Color: black tray & slides

Keyboard Drawer with Nylon Brackets

Item Number	Description
60211 11 005 ^(D)	Keyboard Drawer with Nylon Brackets



Features

- ▶▶ Pre-mounted ball bearing slides with spring locks and nylon mounting brackets
- ▶▶ Tray dimensions (L x W x H):
 - 20-5/8" x 9-1/8" x 1-1/16"
 - 525 mm x 232 mm x 28 mm
- ▶▶ Colors: beige tray & zinc slides

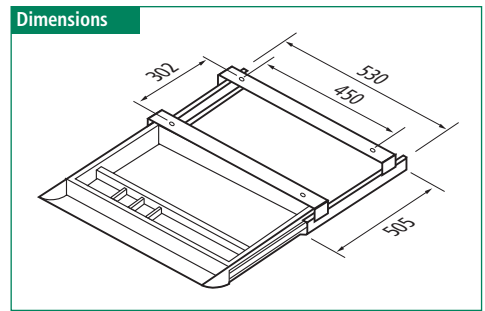
* – **Special Order Only** – call for current pricing, minimum order quantity, and lead-time.

^(D) – **Discontinued Item** – available until remaining stocks are sold out. Call for availability, quantities and potential special pricing.

Pencil Drawer with Frame



Item Number	Description
60111 12 000	Pencil Drawer with Frame



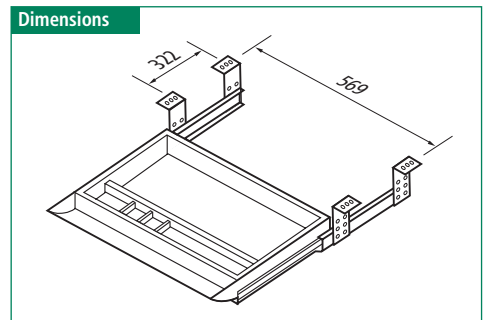
Features

- ▶▶ Easy installation
 - ▶▶ Roller slides
 - ▶▶ Mounted to a metal frame
 - ▶▶ Colors: black tray & frame
- ▶▶ Drawer Size (L x W x H):
 - 20-7/8" x 18-1/2" x 1-7/8"
 - 530 mm x 470 mm x 48 mm

Pencil Drawer with Ball Bearing Slides



Item Number	Description
60111 12 001	Pencil Drawer with Slides



Features

- ▶▶ Easy installation
 - ▶▶ Ball bearing slides
 - ▶▶ Height adjustable brackets
 - ▶▶ Colors: black tray & frame
- ▶▶ Drawer Size (L x W x H):
 - 20-7/8" x 18-1/2" x 1-7/8"
 - 530 mm x 470 mm x 48 mm

Features

- ▶ Multi-opening wire grommet
- ▶ Fine pebble texture finishes: almond, black, & white

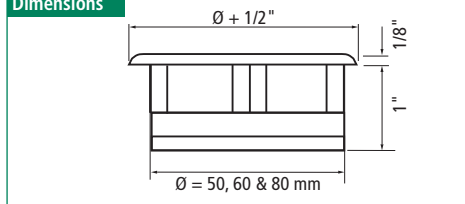
Available Diameter

- ▶ 1-15/16" (50 mm)
- ▶ 2-3/8" (60 mm)
- ▶ 3-1/8" (80 mm)



Item Number	Ø Diameter		Finish
	Inch	mm	
63111 10 002	1-15/16	50	Almond
63111 12 000	1-15/16	50	Black
63111 29 001	1-15/16	50	White
63111 10 007	2-3/8	60	Almond
63111 12 005	2-3/8	60	Black
63111 29 006	2-3/8	60	White
63111 10 013	3-1/8	80	Almond
63111 12 011	3-1/8	80	Black
63111 29 012	3-1/8	80	White

Dimensions



Construction

Complete closure and 25°, 50° & 80° openings to accommodate any size wiring.

Four locking points to secure cover cap in any of the four positions.

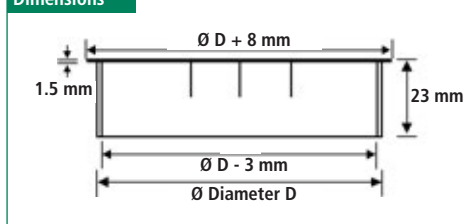
Full 7/32" overlap trimming edge all around with full relief groove to assure a flat assembly.

Features

- ▶ Zinc alloy
- ▶ Bristle hair cable management
- ▶ Grommet cover uses a "snap-in" mechanism
- ▶ Diameter: 2-3/8" (60 mm)
- ▶ Polished chrome finish

Item Number	Size		Finish
	Inch	mm	
63111 51 101 (D)	2-3/8	60	Matte Black
63111 46 099 (D)	2-3/8	60	Polished Chrome

Dimensions



Zinc Alloy Grommet

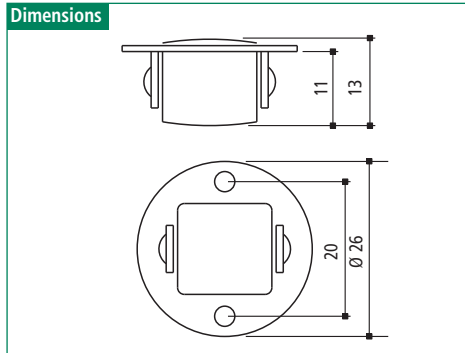


Capacity per Castor

- ▶ 13 lbs. static load

Item Number	Plate Ø Dia.		Hole Distance	
	Inch	mm	Inch	mm
75123 12 003	1-1/16	26	13/16	20

Dimensions



Swivel Castor



(D) – Discontinued Item – available until remaining stocks are sold out. Call for availability, quantities and potential special pricing.

Polyurethane/Nylon Single Wheel Castor



Our polyurethane/nylon single wheel castors offer two advantages – the strength of an internal nylon construction & a polyurethane exterior that provides durability & a fine surface.

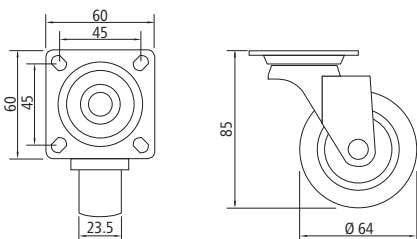
Features

- ▶▶ Swivel
- ▶▶ Available with or without brake
- ▶▶ Inner wheel – nylon – black
- ▶▶ Outer wheel – PU – gray

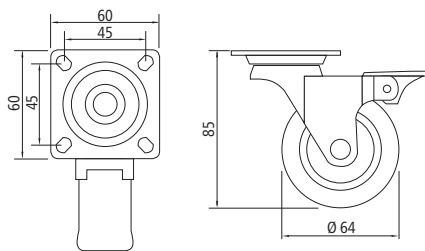
Capacity per castor

- ▶▶ 110 lbs. – 2-1/2" (64 mm) & 3" (75 mm)
- ▶▶ 132 lbs. – 4" (100 mm)

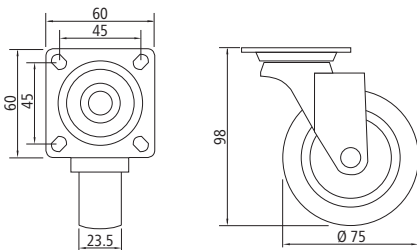
75123 23 010 Dimensions



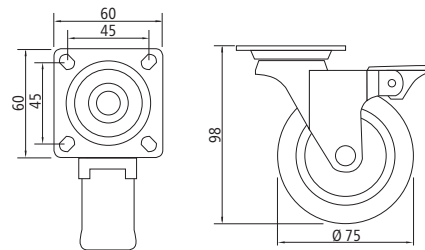
75121 23 011 Dimensions



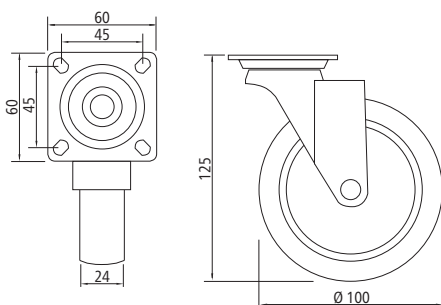
75123 23 012 Dimensions



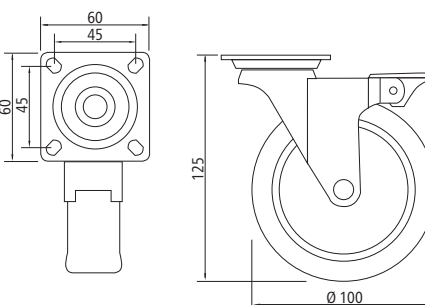
75121 23 014 Dimensions



75123 23 008 Dimensions



75121 23 009 Dimensions



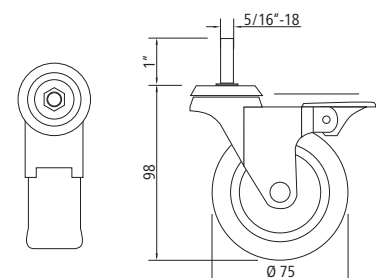
Item Number	Wheel Ø Dia.		Type	Brake
	Inch	mm		
75123 23 010	2-1/2	64	Plate	No
75123 23 012	3	75	Plate	No
75123 23 008*	4	100	Plate	No
75121 23 011	2-1/2	64	Plate	Yes
75121 23 014	3	75	Plate	Yes
75121 23 009*	4	100	Plate	Yes
75121 23 702*	3	75	Threaded	Yes

Please call for other options, features and configurations.

Also available by special order
(minimum quantities may apply):

- ▶▶ Coarse polyurethane surface
- ▶▶ Black outer wheel

75121 23 702 Dimensions



* – Special Order Only – call for current pricing, minimum order quantity, and lead-time.

Features

- ▶ Swivel
- ▶ Rubber wheel
- ▶ Mounting plate
- ▶ Wheel color: black
- ▶ Available with or without brake

Capacity per castor

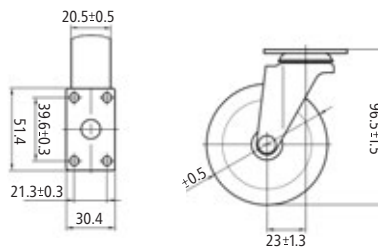
- ▶ 80 lbs. – 3" (76 mm)
- ▶ 110 lbs. – 4" (100 mm) & 5" (126 mm)



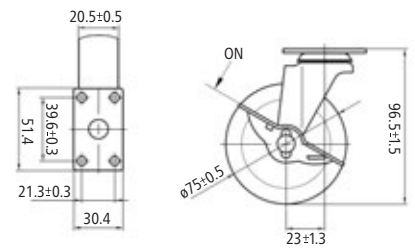
Item Number	Wheel Ø Dia.		Type	Brake
	Inch	mm		
75123 12 004	3	76	Plate	No
75123 12 006	4	101	Plate	No
75123 12 007	5	126	Plate	No
75121 12 000*	3	76	Plate	Yes
75121 12 001	4	101	Plate	Yes
75121 12 002	5	126	Plate	Yes

Please call for other options, features and configurations.

75123 12 004 Dimensions



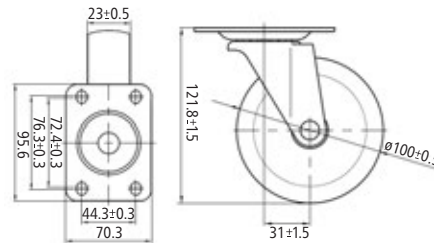
75121 12 000 Dimensions



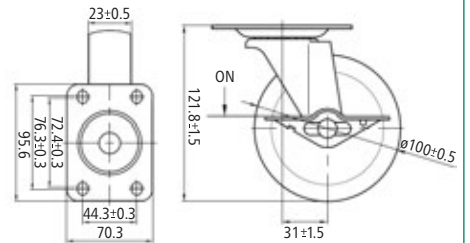
Also available by special order
(minimum quantities may apply):

- ▶ Stem mount

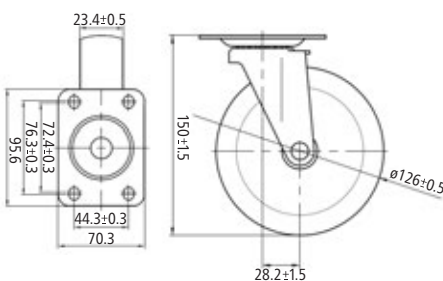
75123 12 006 Dimensions



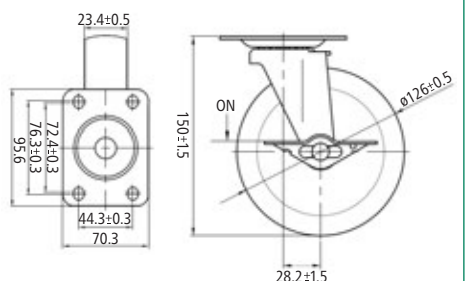
75121 12 001 Dimensions



75123 12 007 Dimensions



75121 12 002 Dimensions



* – Special Order Only – call for current pricing, minimum order quantity, and lead-time.

Nylon Twin Wheel Castor with Threaded Stem



Item Number	Wheel Ø Dia.		Brake
	Inch	mm	
75453 12 035*	1-9/16	40	No
75451 12 033*	1-9/16	40	Yes
75453 12 037	2	50	No
75451 12 069*	2	50	Yes

Threaded Stem Dimensions

- ▶▶ Thread 5/16-18, length 3/4"

Capacity per Castor

- ▶▶ 55 lbs. – 1-9/16" (40 mm)
- ▶▶ 77 lbs. – 2" (50 mm)

Nylon Twin Wheel Castor with Socket Stem



Item Number	Wheel Ø Dia.		Brake	Metal Bushing
	Inch	mm		
75443 12 029	1-9/16	40	No	Yes
75443 12 070*	1-9/16	40	No	No
75441 12 027*	1-9/16	40	Yes	No
75443 12 031	2	50	No	Yes
75443 12 030	2	50	No	No
75441 12 028	2	50	Yes	No

Socket Stem Dimensions

- ▶▶ Diameter Ø: 5/16", length: 1-1/2"

Capacity per Castor

- ▶▶ 55 lbs. – 1-9/16" (40 mm)
- ▶▶ 77 lbs. – 2" (50 mm)

Nylon Twin Wheel Castor with Swivel Plate



Item Number	Wheel Ø Dia.		Brake
	Inch	mm	
75423 12 048	1-9/16	40	No
75421 12 023	1-9/16	40	Yes
75423 12 025	2	50	No
75421 12 024	2	50	Yes

Swivel Plate Dimensions

- ▶▶ 1-1/2" x 1-1/2"

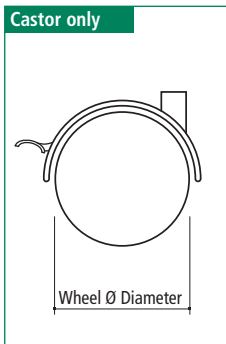
Capacity per castor

- ▶▶ 55 lbs. – 1-9/16" (40 mm)
- ▶▶ 77 lbs. – 2" (50 mm)

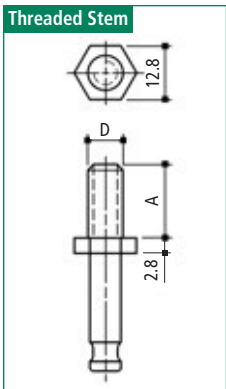
* – Special Order Only – call for current pricing, minimum order quantity, and lead-time.

Available Components

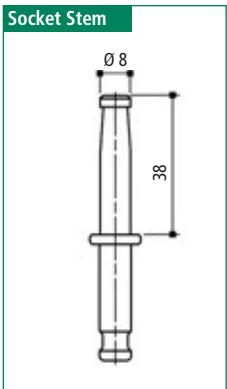
- ▶ Castors only
- ▶ Stems: threaded or socket
- ▶ U-brackets
- ▶ Swivel plates
- ▶ Bushings: nylon & metal



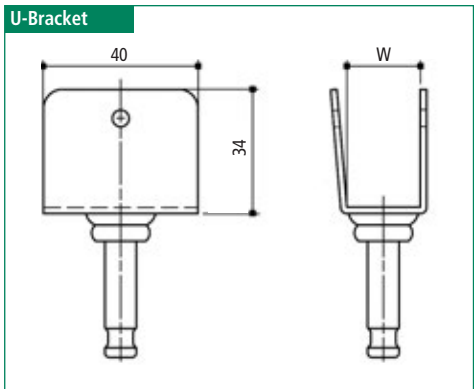
Item Number	Wheel Ø Dia.		Brake
	Inch	mm	
75493 12 044	1-9/16	40	No
75491 12 042	1-9/16	40	Yes
75493 12 045*	2	50	No
75491 12 043*	2	50	Yes



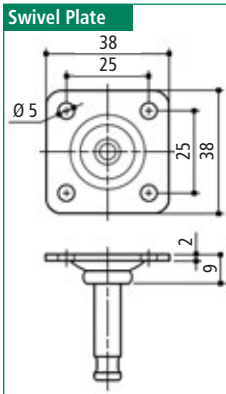
Item Number	Castor Ø		Thread D x A
	Inch	mm	
75999 04 073*	1-9/16	40	5/16-18 x 1/2"
75959 04 057	2	50	5/16-18 x 3/4"



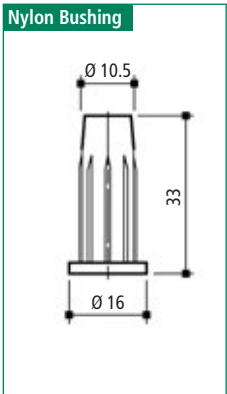
Item Number	Castor Ø Diameter	
	Inch	mm
75999 04 075*	1-9/16 and 2	40 and 50



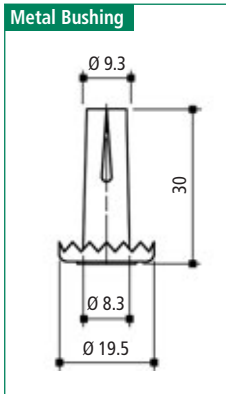
Item Number	Castor Ø		Width W	
	Inch	mm	Inch	mm
75963 04 059*	1-9/16	40	5/8	15.8
75963 04 060*	1-9/16	40	3/4	19
75963 04 062	2	50	5/8	15.8
75963 04 061*	2	50	3/4	19



Item Number	Castor Ø Diameter	
	Inch	mm
75929 04 051	1-9/16	40
75929 04 052*	2	50



Item Number	Castor Ø Diameter	
	Inch	mm
75999 12 064*	1-9/16 and 2	40 and 50



Item Number	Castor Ø Diameter	
	Inch	mm
75999 04 063	1-9/16 and 2	40 and 50

* - Special Order Only - call for current pricing, minimum order quantity, and lead-time.

Adjustable Glides



Item Number	Base Ø Dia.		Base Thickness		Thread Ø Dia.		Thread Length		Plastic Base color
	Inch	mm	Inch	mm	Inches	mm	Inch	mm	
71341 12 022	1	25	3/8	10	1/4-20	10	7/8	22.5	Black



Item Number	Base Ø Dia.		Thread Ø Dia.		Thread Length		Cover Shell color	Plastic Base color
	Inch	mm	Inch	mm	Inch	mm		
71341 05 065	1	25	1/4-20	10	1	25	Chrome	White
71341 05 068	1-3/8	35	3/8-16	12	2	50	Chrome	White
71341 05 066	1-3/8	35	3/8-16	12	3	75	Chrome	White



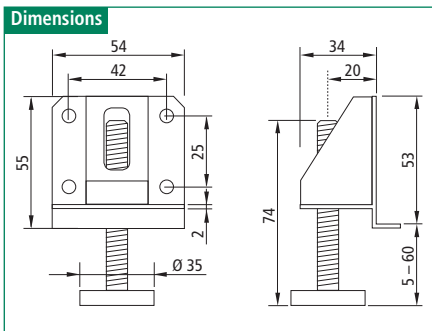
Item Number	Base Ø Dia.		Thread Ø Dia.		Thread Length		Cover Shell color	Plastic Base color
	Inch	mm	Inch	mm	Inch	mm		
71341 05 028*	1-3/8	35	3/8-16	12	1-1/2	38	Zinc	Black



Swivel Type

Item Number	Base Ø Dia.		Thread Ø Dia.		Thread Length		Cover Shell color	Plastic Base color
	Inch	mm	Inch	mm	Inch	mm		
71344 52 067	1-1/8	29	1/4-20	10	1	25	Nickel	White

Heavy-Duty Adjustable Floor Leveler



T-Nut for Threaded Glides



Item Number	Thread Ø Diameter	Plate Ø Dia.		Prongs	Finish
		Inch	mm		
71442 04 033	1/4-20	11/16	18	4	Zinc
71442 04 069	3/8-16	1	26	4	Zinc
71442 02 034	M10	1	26	4	Galvanized

Nail Glides



Item Number	Base Ø Dia.		Base Thickness		Nail Size		Plastic Base color
	Inch	mm	Inch	mm	Inch	mm	
71322 14 049	1/2	13	3/16	4	1/16 x 3/4	2 x 18	Brown
71322 29 050	1/2	13	3/16	4	1/16 x 3/4	2 x 18	White
71322 14 046	5/8	16	1/4	6	1/16 x 3/4	2 x 18	Brown
71322 29 010	5/8	16	1/4	6	1/16 x 3/4	2 x 18	White
71322 14 044	3/4	19	1/4	6	1/16 x 3/4	2 x 18	Brown
71322 29 045	3/4	19	1/4	6	1/16 x 3/4	2 x 18	White
71322 14 047	7/8	22	1/4	6	1/16 x 3/4	2 x 18	Brown
71322 29 048	7/8	22	1/4	6	1/16 x 3/4	2 x 18	White



Deluxe Type

Item Number	Base Ø Dia.		Base thickness		Nail Size		Plastic color
	Inch	mm	Inch	mm	Inch	mm	
71322 29 016	3/4	19	3/8	10	1/8 x 13/16	3 x 20	Black & White



Double Type

Item Number	Length		Width		Thickness		Nail size		Plastic color
	Inch	mm	Inch	mm	Inch	mm	Inch	mm	
71322 29 017	2	51	5/8	16	1/4	6	1/16 x 1/2	2 x 13	White

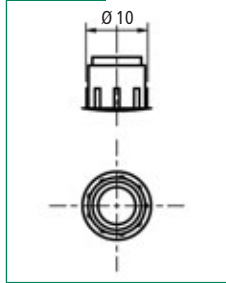
Features

- ▶▶ Zinc plated
- ▶▶ 5 mm Allen screw hole
- ▶▶ Adjustable height: 13/64" – 2-23/64" (5 mm – 60 mm)
- ▶▶ 4 holes – each with a diameter of Ø 5 mm
- ▶▶ Load capacity: 660 lbs. (300 kg)

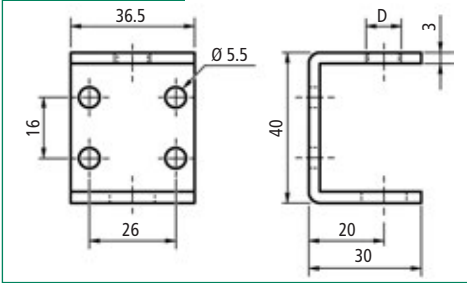
Item Number	Base Ø Dia.		Thread Ø Dia.		Thread Length		Plastic Base color
	Inch	mm	Inch	mm	Inch	mm	
71542 04 041	1-3/8	35	3/8-16	10	2-7/8	74	Black

* – Special Order Only – call for current pricing, minimum order quantity, and lead-time.

Cover Cap



Double Angle Bracket



M10 Screw

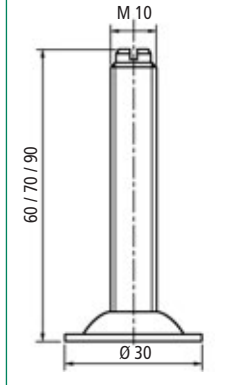
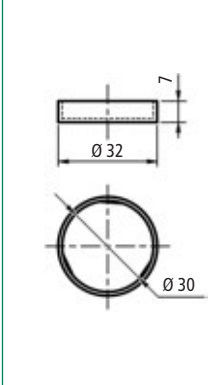
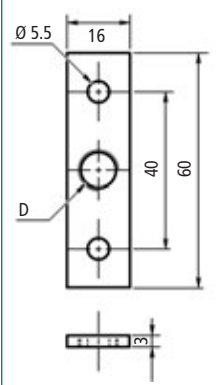


Plate Cap



Plate



Cover Cap

Double Angle Bracket

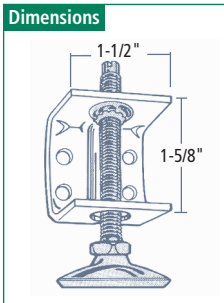
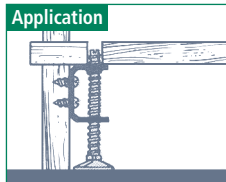
Screw
(with Slot)



Item Number	Components
71692 14 039*	Cover Cap Brown
71542 02 037	Double Angle Bracket Galvanized
71341 02 029	M 10 Screw 2-3/8" (60 mm)
71341 02 030	M 10 Screw 2-3/4" (70 mm)
71341 02 031	M 10 Screw 3-1/2" (90 mm)
71692 15 040	Plate Cap
71542 02 038	Plate Galvanized

3/8" Double Angle Bracket

Item Number	Description
71542 04 035	3/8" Double Angle Bracket

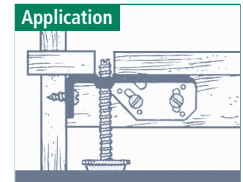
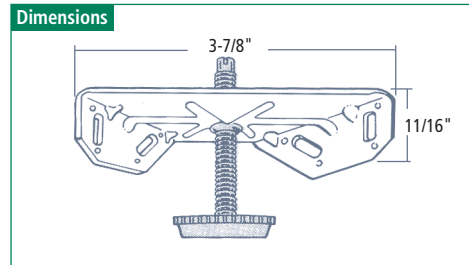


Features

- ▶ Zinc plated
- ▶ Adjustable glide with 3/8" thread
- ▶ Dimensions: 42 mm x 37 mm x 3 mm
- ▶ Hole diameter \varnothing 1/2" (12.7 mm)
- ▶ 4 holes – each with a diameter of \varnothing 5 mm

3/8" Corner Bracket

Item Number	Description
71542 04 036	3/8" Corner Bracket



Features

- ▶ Zinc plated
- ▶ Adjustable glide with 3/8" thread
- ▶ Height: 11/16" (17.5 mm)
- ▶ Material thickness: 1.2 mm

* – Special Order Only – call for current pricing, minimum order quantity, and lead-time.

Cabinet Leg Leveler

Screw-on Type



Features

- ▶ Black plastic – polypropylene
- ▶ Fully assembled
- ▶ Height adjusted by rotating foot
- ▶ Screw-on or press-in dowel – both have 4 holes for screws
- ▶ Load capacity: 175 lbs. (80 kg) per leg

Applications

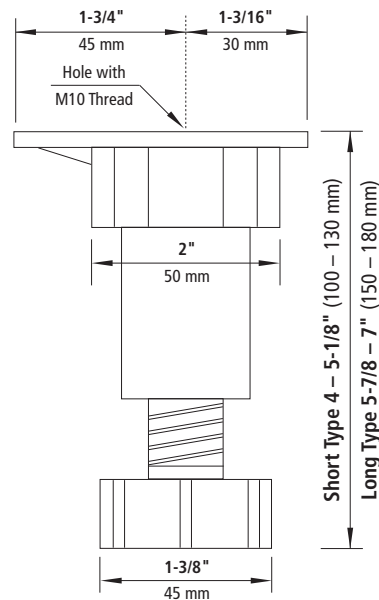
- ▶ Precise leveling of cabinets and shelving units
- ▶ Provides easy access to plumbing and electrical

Item Number	Adjustable Height		Type
	Inch	mm	
71111 12 070	4 – 5-1/8	100 – 130	Short, Screw-on
71111 12 071	5-7/8 – 7	150 – 180	Long, Screw-on
71131 12 072	4 – 5-1/8	100 – 130	Short, Press-in
71131 12 073	5-7/8 – 7	150 – 180	Long, Press-in

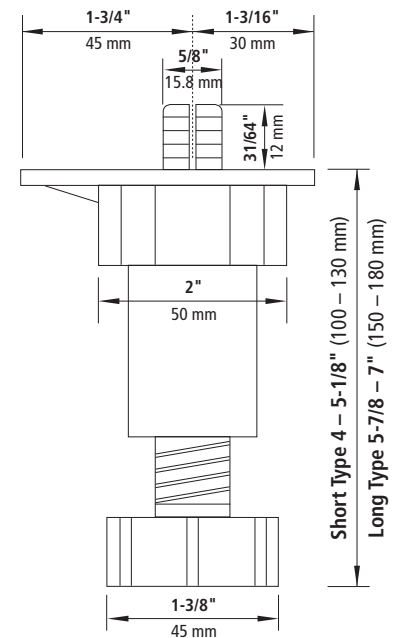
Press-in Type



Dimensions Screw-on Type



Dimensions Press-in Type



Toe/Kick Board Mounting Clip for Cabinet Leg Leveler



Item Number	Description
71552 12 074	Toe/Kick Board Mounting Clip

Features

- ▶ Black plastic – polypropylene
- ▶ Clip-on mounting
- ▶ Two holes for mounting toe kick
- ▶ Easy height adjustment



Rail Length = 1.800

Roller Ø = 37

4 x) 406

79.3

3

25

80
105

210

C.C. = 59.5

C.C. = 50

30

NEW IN THIS SECTION

- ▶ Handrail Kits (Page 94)
- ▶ Utensil Rail Kit (Page 95)

5 x 30

Rail Length = 6.5'

102.5

C.C. = 55

100

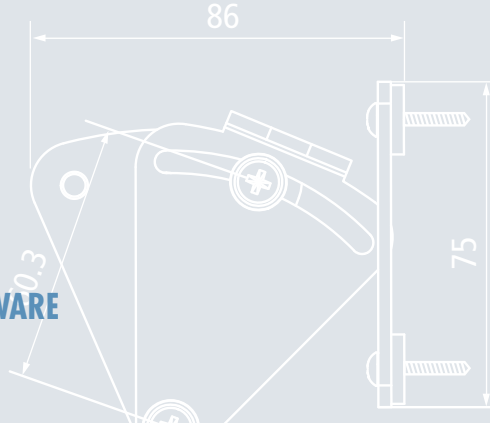
197.5
227.9

86

75

08

HOME HARDWARE





NEW ITEM

Features

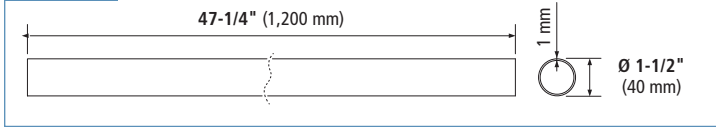
- ▶ Steel with powder coating – the coating used has anti-bacterial properties
- ▶ Only to be installed in indoor settings
- ▶ Environmentally friendly packaging that is recyclable
- ▶ Uses zinc die cast brackets
- ▶ Easy and quick install that does not require any drilling – reducing the risk of damage
- ▶ Handrail dimensions:
 - Length: 47-1/4" (1200 mm)
 - Diameter Ø: 1-9/16" (40 mm)
- ▶ Load capacity varies based on installation

Indoor Handrail Kit	
Item Number	Finish
77112 51 020	Matte Black

Kit Includes
3 Handrails
2 Connecting brackets
2 Standard brackets
2 End caps
12 Wall screws
12 Wall plugs
1 Allen Key
Installation guide



Dimensions



Indoor & Outdoor Handrail Kit



NEW ITEM

Features

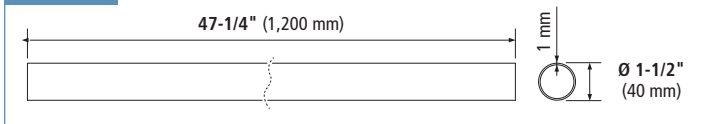
- ▶ Stainless steel – allows for indoor or outdoor installation
- ▶ Environmentally friendly packaging that is recyclable
- ▶ Uses cast stainless steel brackets
- ▶ Easy and quick install that does not require any drilling – reducing the risk of damage
- ▶ Handrail dimensions:
 - Length: 47-1/4" (1200 mm)
 - Diameter Ø: 1-9/16" (40 mm)
- ▶ Load capacity varies based on installation

Indoor & Outdoor Handrail Kit	
Item Number	Finish
77112 56 012	Brushed Stainless Steel

Kit Includes
3 Handrails
2 Connecting brackets
2 Standard brackets
2 End caps
12 Wall screws
12 Wall plugs
1 Allen Key
Installation guide



Dimensions



Features

- ▶ Stainless steel (SS201) – allows for indoor or outdoor installation
- ▶ Environmentally friendly – contains no chrome (Cr6+), packaging is recyclable, and plastic free
- ▶ Available in 2 lengths:
 - 23-5/8" (600 mm)
 - 39-3/8" (1,000 mm)
- ▶ Rail diameter Ø: 3/4" (19 mm)

Applications

- ▶ Indoor and outdoor kitchens
- ▶ BBQ areas
- ▶ Restaurants
- ▶ Garages
- ▶ Key hanger, and more



NEW ITEM

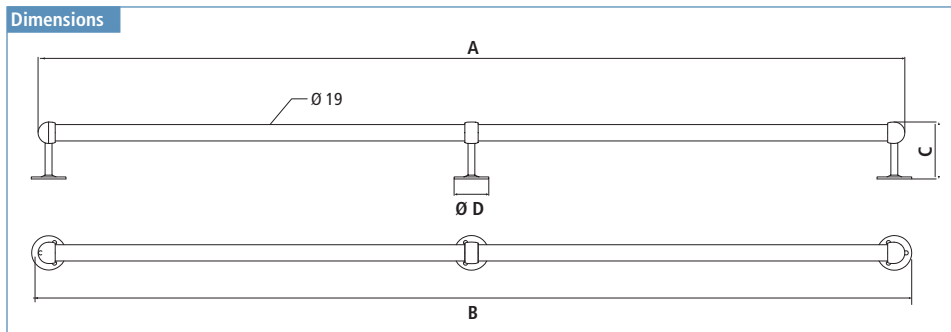


Kit Includes	
1	Utensil rail
2	End brackets
1	Center bracket
8	Sliding 'S' hooks
9	Color matching screws
	Installation guide

Length 23-5/8" (600 mm)									
Item Number	A		B		C		Ø D		Material/Finish
	Inch	mm	Inch	mm	Inch	mm	Inch	mm	
40265 41 060	24-3/32	612	24-9/16	624	2-5/8	66	1-5/8	41	Antique Brass
40265 42 061	24-3/32	612	24-9/16	624	2-5/8	66	1-5/8	41	Antique Copper
40265 56 062	24-3/32	612	24-9/16	624	2-5/8	66	1-5/8	41	Brushed Stainless Steel
40265 51 063	24-3/32	612	24-9/16	624	2-5/8	66	1-5/8	41	Matte Black

Length 39-5/8" (1,000 mm)									
Item Number	A		B		C		Ø D		Material/Finish
	Inch	mm	Inch	mm	Inch	mm	Inch	mm	
40265 41 070	39-13/16	1,012	40-5/16	1,024	2-5/8	66	1-5/8	41	Antique Brass
40265 42 071	39-13/16	1,012	40-5/16	1,024	2-5/8	66	1-5/8	41	Antique Copper
40265 56 072	39-13/16	1,012	40-5/16	1,024	2-5/8	66	1-5/8	41	Brushed Stainless Steel
40265 51 073	39-13/16	1,012	40-5/16	1,024	2-5/8	66	1-5/8	41	Matte Black

Dimensions



Features

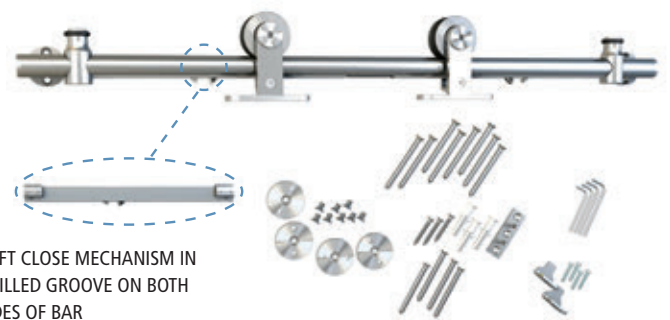
- ▶ Stainless steel
- ▶ Black wheel is made of polyformaldehyde – POM
- ▶ Suitable for door thickness of 1-3/16" – 1-3/4" (30 mm – 45 mm)
 - Soft close: 1-3/16" – 1-37/64" (30 mm – 40 mm)
- ▶ Max. door weight: 260 lbs. (120 kg)



77124 56 003 Top Mount Hardware Kit



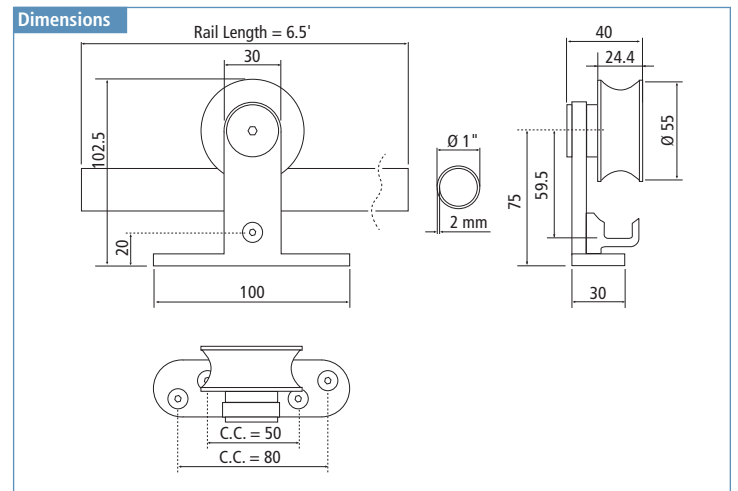
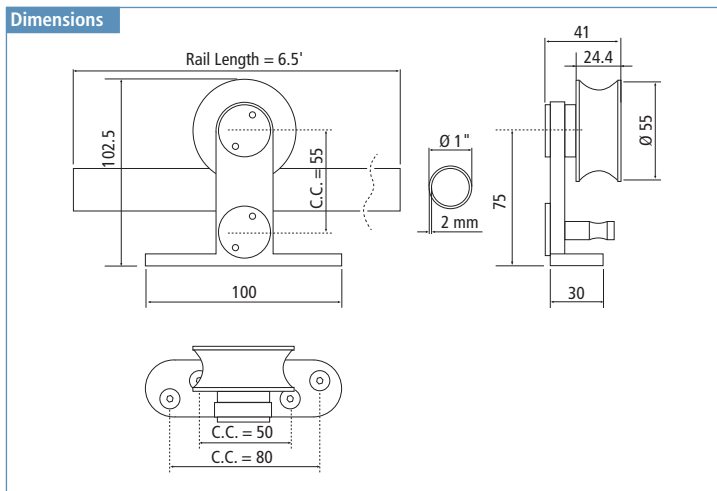
77123 56 004 Top Mount Hardware Kit with Soft Close



SOFT CLOSE MECHANISM IN DRILLED GROOVE ON BOTH SIDES OF BAR

Set Includes	Item Number	Description
4 Clamps for Fixing Track	77124 56 003	Top Mount Hardware Kit
2 Door Stoppers		
1 Rail, Length 6.5'		
2 End Caps		
2 Sliding Door Rollers		
1 Floor Guide		
Screws and Allen Keys		

Set Includes	Item Number	Description
4 Clamps for Fixing Track	77123 56 004	Top Mount Hardware Kit with Soft Close
2 Door Stoppers		
1 Rail, Length 6.5'		
2 End Caps		
2 Soft Close Mechanisms		
2 Triggers for the Soft Close		
2 Sliding Door Rollers		
1 Floor Guide		
Screws and Allen Keys		



Flat Rail Barn Door Hardware – Surface Mount

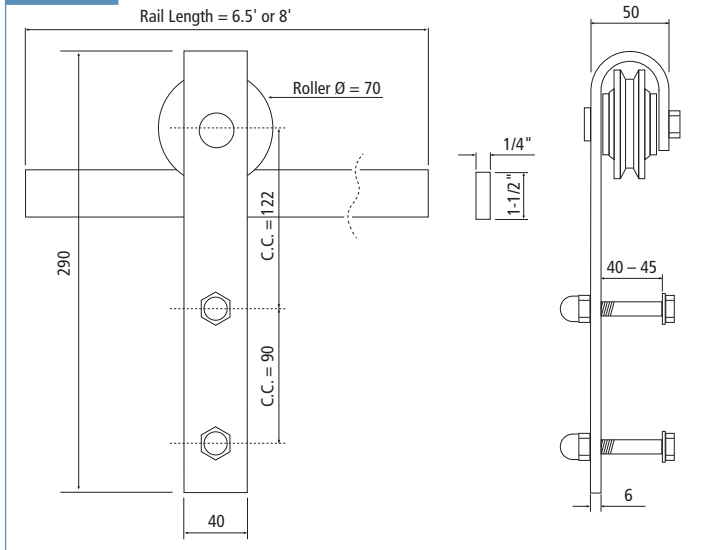


Features

- ▶▶ Steel with a powder coat or stainless steel finish
- ▶▶ Black wheel is made of polyformaldehyde – POM
- ▶▶ Suitable for door thickness of 1-1/4" – 1-3/4" (35 – 45 mm)
 - Soft close: 1-3/16" – 1-37/64" (30mm – 40mm)
- ▶▶ Max. door weight: 350 lbs. (160 kg)
- ▶▶ A 4' rail extension (1219 mm) – pre-drilled for soft close mechanism – is available, but only in steel matte black



Dimensions



Set Includes

- 5 Clamps for Fixing Track
- 2 Door Stoppers
- 1 Rail, Length 6.5' or 8'
- 2 Anti Jump Blocks
- 2 Sliding Door Rollers
- 1 Floor Guide
- Screws and Allen Key

Rail Length 6.5'

Item Number	Material/Finish
77214 51 005	Steel Matte Black
77214 53 007	Steel Oil Rubbed Bronze
77214 56 006	Stainless Steel

Rail Length 8'

Item Number	Material/Finish
77214 51 020	Steel Matte Black
77214 53 021	Steel Oil Rubbed Bronze
77214 56 023	Stainless Steel

4' Rail Extension (Pre-Drilled for Soft Close Mechanism)

Item Number	Steel Matte Black Only
77259 51 120	4' Rail Extension
77299 51 150	Mounting Kit for 4' Rail

Roller with Screws Surface Mount

Item Number	Material/Finish
77219 51 137	Steel Matte Black
77219 53 139	Steel Oil Rubbed Bronze
77219 56 141	Stainless Steel

Packaging



Features

- ▶ Steel with a powder coat or stainless steel finish
- ▶ Black wheel is made of polyformaldehyde – POM
- ▶ Suitable for door thickness of 1-3/16" – 1-3/4" (30 mm – 45 mm)
 - Soft close: 1-3/16" – 1-3/4" (30 mm – 45 mm)
- ▶ Max. door weight: 300 lbs. (140 kg)
- ▶ A 4' rail extension (1219 mm) – pre-drilled for soft close mechanism – is available, but only in steel matte black



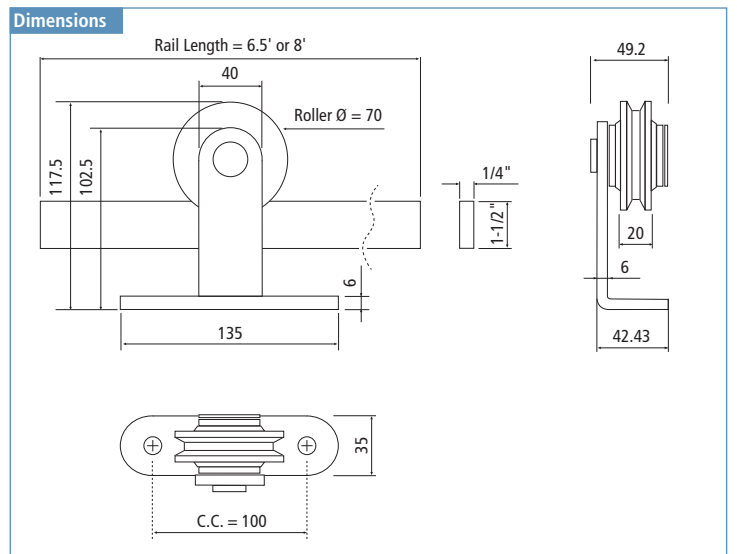
Set Includes
5 Clamps for Fixing Track
2 Door Stoppers
1 Rail, Length 6.5' or 8'
2 Anti Jump Blocks
2 Sliding Door Rollers
1 Floor Guide
Screws and Allen Key

Rail Length 6.5'	
Item Number	Material/Finish
77224 51 008	Steel Matte Black
77224 56 009	Stainless Steel

Rail Length 8'	
Item Number	Material/Finish
77224 51 024	Steel Matte Black
77224 56 025	Stainless Steel

4' Rail Extension (Pre-Drilled for Soft Close Mechanism)	
Item Number	Steel Matte Black Only
77259 51 120	4' Rail Extension
77299 51 150	Mounting Kit for 4' Rail

Roller with Screws Top Mount	
Item Number	Material/Finish
77229 51 138	Steel Matte Black
77229 56 142	Stainless Steel

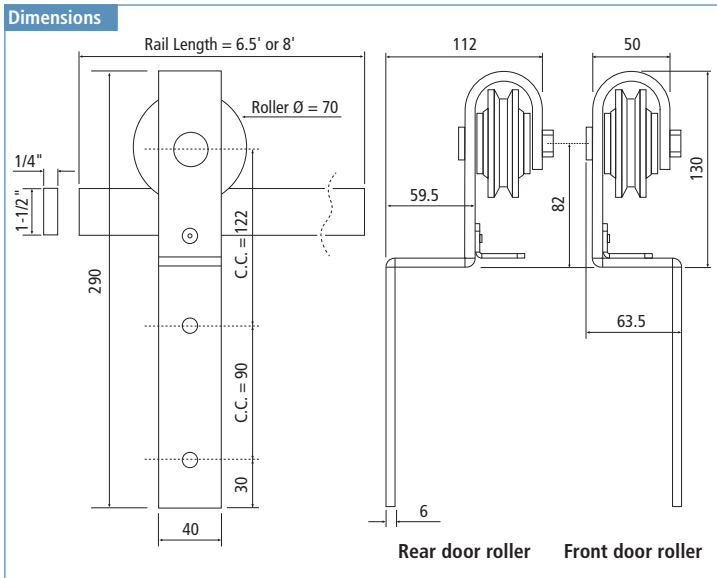


Flat Rail Bypass Barn Door Hardware – Surface Mount



Features

- ▶▶ Steel with a powder coat
- ▶▶ Black wheel is made of polyformaldehyde – POM
- ▶▶ Suitable for door thickness of 1-3/8" – 1-3/4" (35 – 45 mm)
- ▶▶ Max. weight of both doors: 220 lbs. (100 kg)



- Set Includes**
- 2 Door Stoppers
 - 1 Rail, Length 6.5' or 8'
 - 4 Sliding Door Rollers
 - 1 Floor Guide
 - 4 Hole Caps
 - 5 Standoffs (6.5' Length)
 - 6 Standoffs (8' Length)
 - Screws and Allen Keys

Rail Length 6.5'	
Item Number	Material/Finish
77214 51 040	Steel Matte Black

Rail Length 8'	
Item Number	Material/Finish
77214 51 041	Steel Matte Black

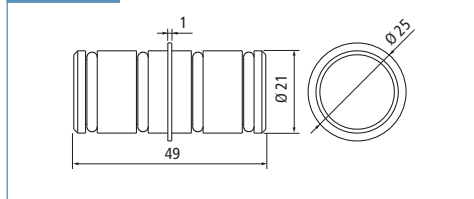


For Round Rail



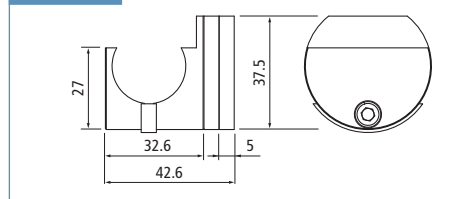
Item Number	Material/Finish
77159 56 107	Stainless Steel

Dimensions



Item Number	Material/Finish
77159 56 123	Stainless Steel

Dimensions

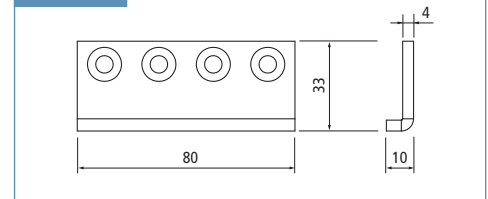


For Flat Rail



Item Number	Material/Finish
77259 51 104	Matte Black
77259 53 106	Oil Rubbed Bronze
77259 56 105	Stainless Steel

Dimensions



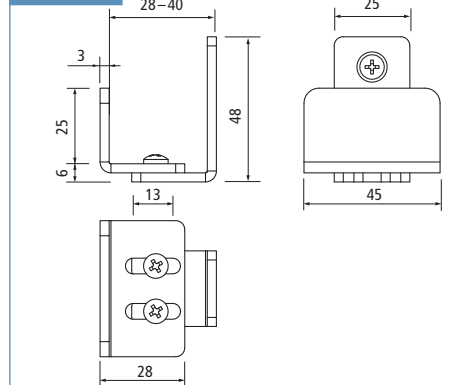
Guides

C Guide



Item Number	Material/Finish
77919 51 110	Matte Black
77919 53 111	Oil Rubbed Bronze
77919 56 112	Stainless Steel

Dimensions

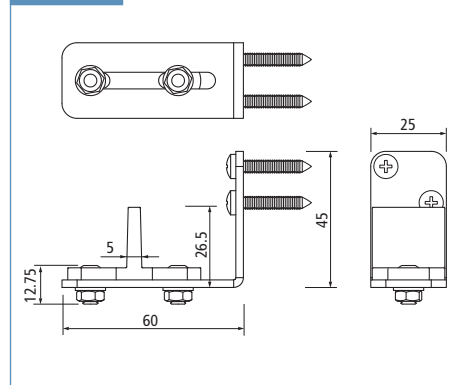


T Guide



Item Number	Material/Finish
77919 51 113	Matte Black
77919 53 114	Oil Rubbed Bronze
77919 56 115	Stainless Steel

Dimensions



Adjustable Door Guide

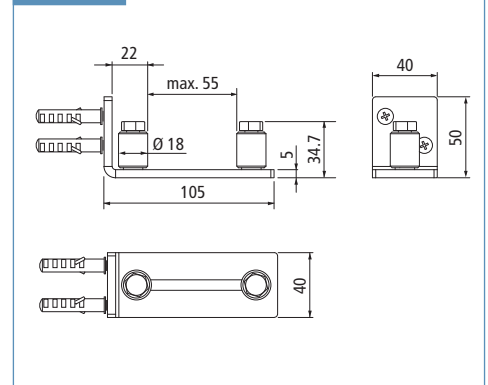


For Door Thickness 25/32" - 2-11/64"

Item Number	Material/Finish
77919 51 117	Matte Black
77919 53 118	Oil Rubbed Bronze
77919 56 119	Stainless Steel

Screws and dowels included

Dimensions

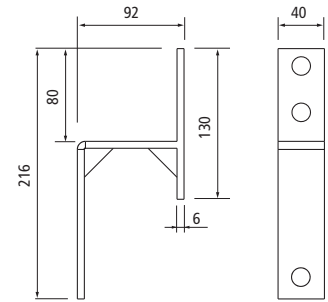


Bypass Door Brackets for Barn Door



Item Number	Material/Finish
77919 51 101	Matte Black
77919 53 103	Oil Rubbed Bronze
77919 56 102	Stainless Steel

Dimensions

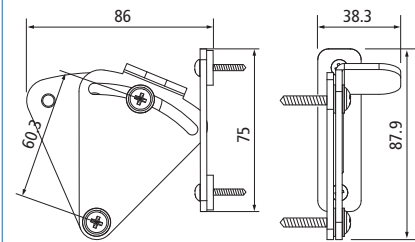


Latches for Barn Door



Item Number	Finish
77519 51 201	Matte Black
77519 53 202	Oil Rubbed Bronze
77519 59 200	Satin Nickel

Dimensions



Soft Close Mechanism for Flat Rail

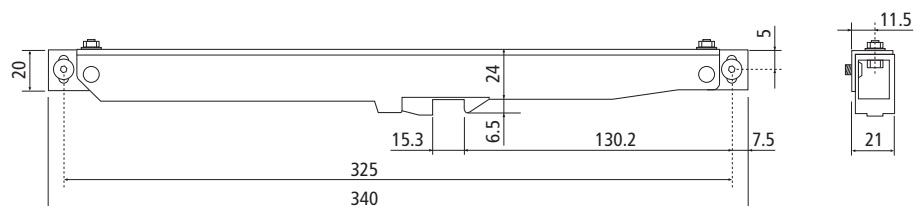


Features

- ▶ Overall dimensions:
13-3/8" x 15/16" x 13/16"
(340 mm x 24 mm x 21 mm)
- ▶ Max. load of 176 lbs. (80 kg)
- ▶ Screws and Allen key included

Item Number	Material/Finish
77253 51 100	Matte Black
77253 56 109	Stainless Steel

Dimensions

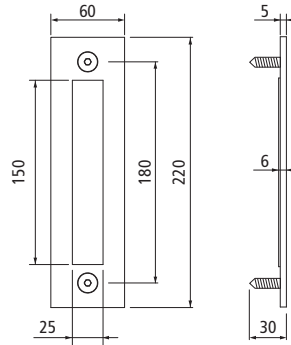


Features

- ▶ Flush mount does not require a routed door surface
- ▶ For a door thickness of 1-3/8" – 2-11/64" (35 mm – 55 mm)
- ▶ Height: 8-21/32" (220 mm)
- ▶ Screws and Allen key are included

Item Number	Finish
77519 51 321	Matte Black
77519 53 322	Oil Rubbed Bronze
77519 56 323	Stainless Steel

Dimensions



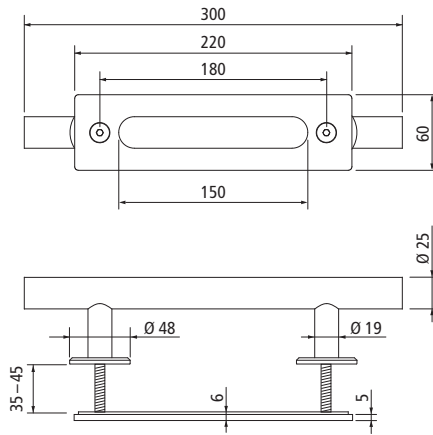
Surface Mount Flush Handles & Bar Pulls

Features

- ▶ Flush mount does not require a routed door surface
- ▶ For a door thickness of 1-3/8" – 2-11/64" (35 mm – 55 mm)
- ▶ Bar pull handle dimensions:
 - Length: 12"
 - Diameter Ø: 15/16"
- ▶ Screws, Allen key, and 2 backplates are included
 - Backplates have a diameter Ø of 1-3/4"

Item Number	Finish
77519 51 324	Matte Black
77519 53 325	Oil Rubbed Bronze
77519 56 326	Stainless Steel

Dimensions

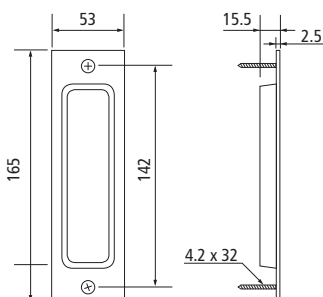


Recessed Flush Handles

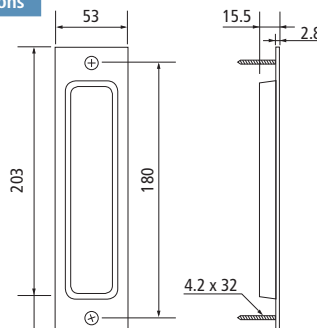
Standard Height · 6-1/2"	
Item Number	Finish
77539 51 301	Matte Black
77539 53 302	Oil Rubbed Bronze
77539 59 300	Satin Nickel

Extended Height · 8"	
Item Number	Finish
77539 51 304	Matte Black
77539 53 305	Oil Rubbed Bronze
77539 59 303	Satin Nickel

Dimensions



Dimensions



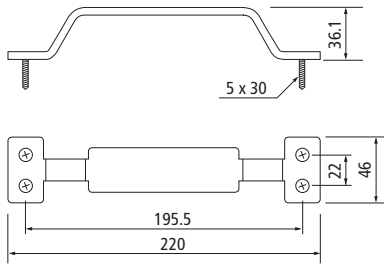
Handles for Barn Door

Rectangle Handle



Item Number	Finish
77519 51 307	Matte Black
77519 53 308	Oil Rubbed Bronze
77519 59 306	Satin Nickel

Dimensions

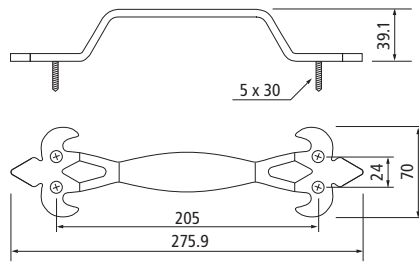


Fleur-de-lys Handle



Item Number	Finish
77519 51 310	Matte Black
77519 53 311	Oil Rubbed Bronze
77519 59 309	Satin Nickel

Dimensions

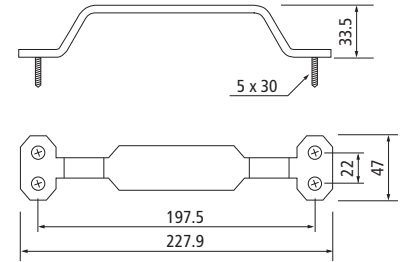


Octagon Handle



Item Number	Finish
77519 51 313	Matte Black
77519 53 314	Oil Rubbed Bronze
77519 59 312	Satin Nickel

Dimensions

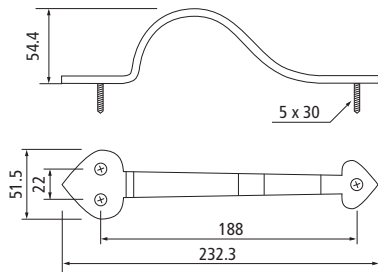


Spade Handle



Item Number	Finish
77519 51 319	Matte Black
77519 53 320	Oil Rubbed Bronze

Dimensions

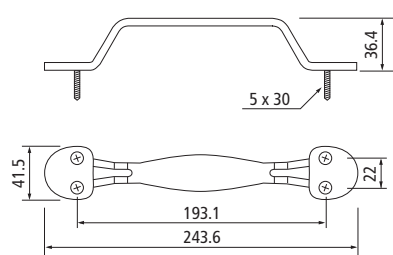


Rounded Handle



Item Number	Finish
77519 51 316	Matte Black
77519 53 317	Oil Rubbed Bronze
77519 59 315	Satin Nickel

Dimensions



Features

- ▶ Steel with a powder coat
- ▶ Black wheel is made of polyformaldehyde – POM
- ▶ Suitable for door thickness of 1" – 1-3/4" (25 mm – 45 mm)
- ▶ Max. door weight: 44 lbs. (20 kg)
- ▶ Additional rollers, flat rail connector, bypass door bracket, & door stopper are available – see page 107

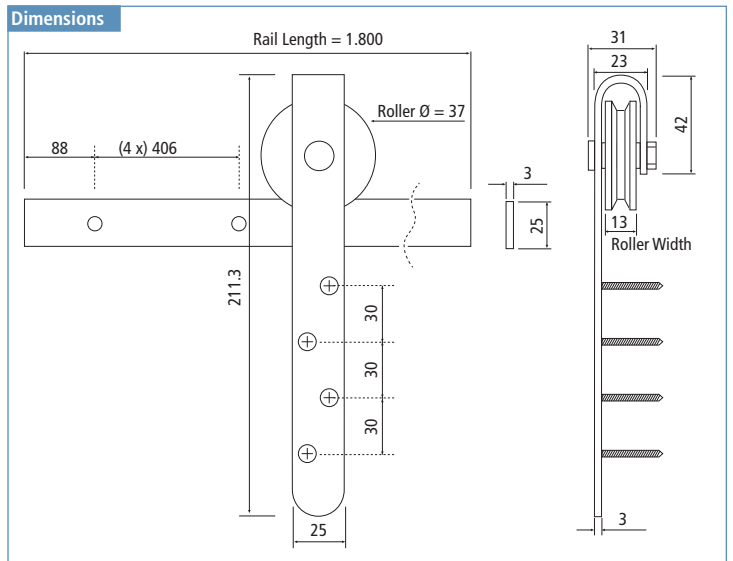
Applications

- ▶ Kitchen islands
- ▶ Bathroom vanities
- ▶ Dressers
- ▶ Decorative window covering
- ▶ Hidden TV solution



Mini-Barn Door Hardware Kit Surface Mount	
Item Number	Finish
77214 51 010	Steel Matte Black

Set Includes
2 Door Stoppers
1 Rail, Length 5' 10"
2 Anti Jump Blocks
2 Sliding Door Rollers
1 Floor Guide
Screws and Allen Key



Flat Rail Mini-Barn Door Hardware – Top Mount



Features

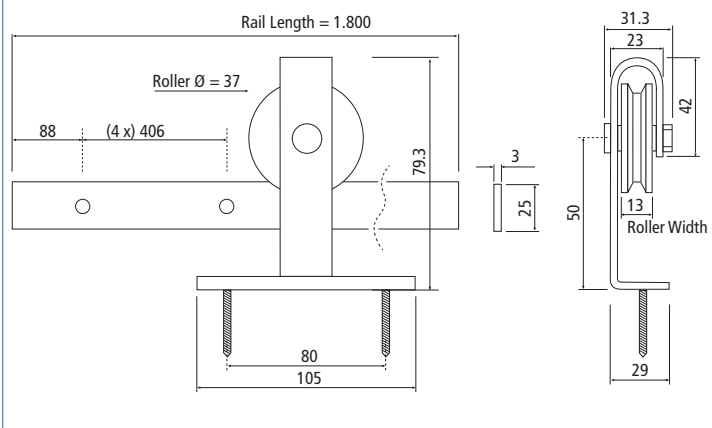
- ▶▶ Steel with a powder coat
- ▶▶ Black wheel is made of polyformaldehyde – POM
- ▶▶ Suitable for door thickness of 1" – 1-3/4" (25 mm – 45 mm)
- ▶▶ Max. door weight: 44 lbs. (20 kg)
- ▶▶ Additional rollers, flat rail connector, bypass door bracket, & door stopper are available – see page 107

Applications

- ▶▶ Kitchen islands
- ▶▶ Bathroom vanities
- ▶▶ Dressers
- ▶▶ Decorative window covering
- ▶▶ Hidden TV solution



Dimensions



Set Includes

- 2 Door Stoppers
- 1 Rail, Length 5' 10"
- 2 Anti Jump Blocks
- 2 Sliding Door Rollers
- 1 Floor Guide
- Screws and Allen Key

Mini-barn Door Hardware Kit Top Mount

Item Number	Finish
77224 51 011	Steel Matte Black

Packaging



Additional Rollers for Mini-Barn Door Flat Rail Hardware

Features

- ▶ Steel with a powder coat
- ▶ Black wheel is made of polyformaldehyde – POM
- ▶ Screws included

Additional Roller – Surface Mount

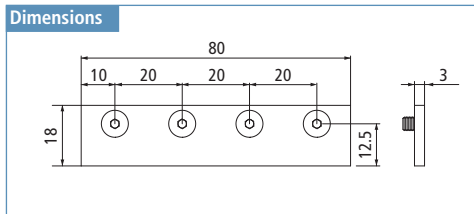
Item Number	Finish
77219 51 136	Steel Matte Black

Additional Roller – Top Mount

Item Number	Finish
77229 51 135	Steel Matte Black



Dimensions



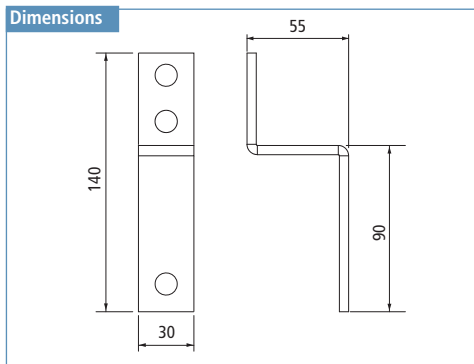
Flat Rail Connector with Screws

Item Number	Finish
77259 51 116	Steel Matte Black

Flat Rail Connector



Dimensions



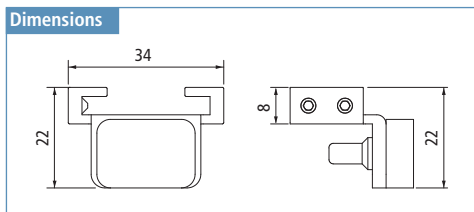
Bypass Door Bracket with Screws

Item Number	Finish
77299 51 146	Steel Matte Black

Bypass Door Bracket



Dimensions



Door Stopper Pair (L & R) with Allen Key for Screws

Item Number	Finish
77299 51 145	Steel Matte Black

Door Stopper



Your source for information & services. Besides our complete Product Range we offer various information and services on our website for you. Here is an overview with direct links to the respective areas:

Online Catalog

Flip through this Catalog online and take advantage of the comfort features like searching, bookmarking, downloading etc.

▶▶ <http://catalog.usfutaba.com>



News Section

Be always up to date: find interesting reports, news and trends around the furniture industry in the news section of our website:

▶▶ <https://www.usfutaba.com/news/>



Find out more and be up to date:

▶▶ www.usfutaba.com

Conversion kg = lbs + oz.

kg	lbs	oz.
0.1	0	31/2
0.2	0	7
0.3	0	101/2
0.4	0	14
0.454	1	0
0.5	1	11/2
0.6	1	5
0.7	1	83/4
0.8	1	121/4
0.9	1	153/4
0.908	2	0
1.0	2	31/4
1.1	2	63/4
1.2	2	101/4
1.3	2	133/4
1.4	3	11/4
1.5	3	43/4
2.0	4	61/2
2.5	5	8
3.0	6	93/4
3.5	7	111/4
4.0	8	13
4.5	9	141/2
4.54	10	0
5.0	11	1/4
6.0	13	31/2
7.0	15	63/4
8.0	17	10
9.0	19	131/4
9.08	20	0
10	22	1/2
20	44	3/4
30	66	11/4
40	88	13/4
50	110	2

Get in contact with us!

We stand ready to be of service to you: Represented on both coasts and available 12 hours a day, we are a business partner you can rely on. Customer Service means more to us than just shipping merchandise.

We are available to answer your technical questions and encourage your input from the field. U.S. Futaba, Inc. is very interested in how we can help you develop a larger market share with quality products that your customers demand. Please let us know your ideas so we can help you build a stronger base and a solid future together.

Business Hours

From 8:00 a.m. to 5:00 p.m., Monday through Friday

West Coast Headquarters & Warehouse

2901 West Garry Ave. · Santa Ana, CA 92704
Phone (800) 821-4007 · Fax (714) 751-2366

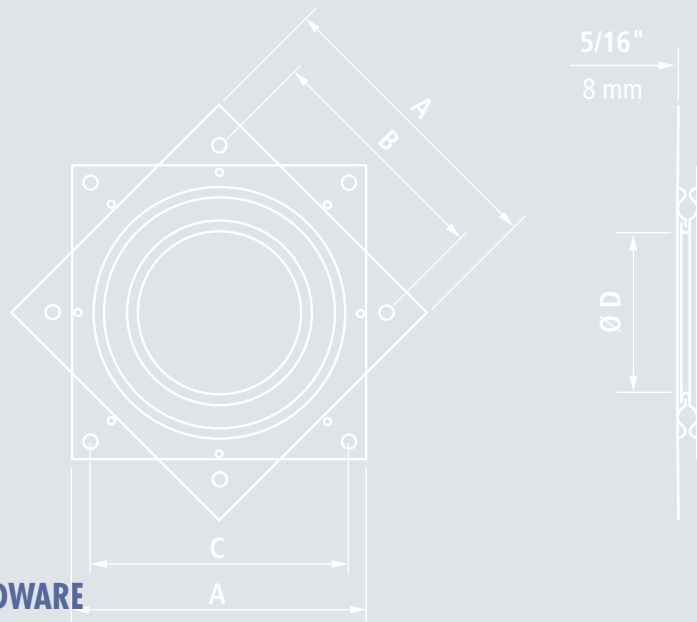
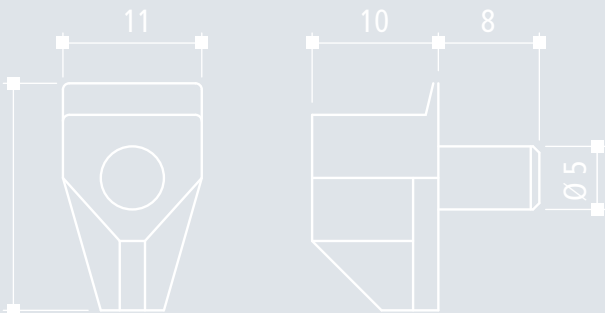
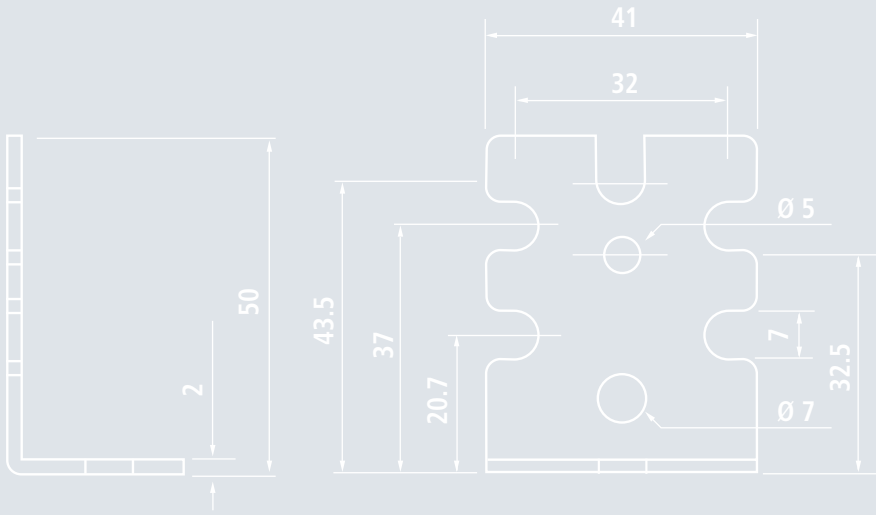
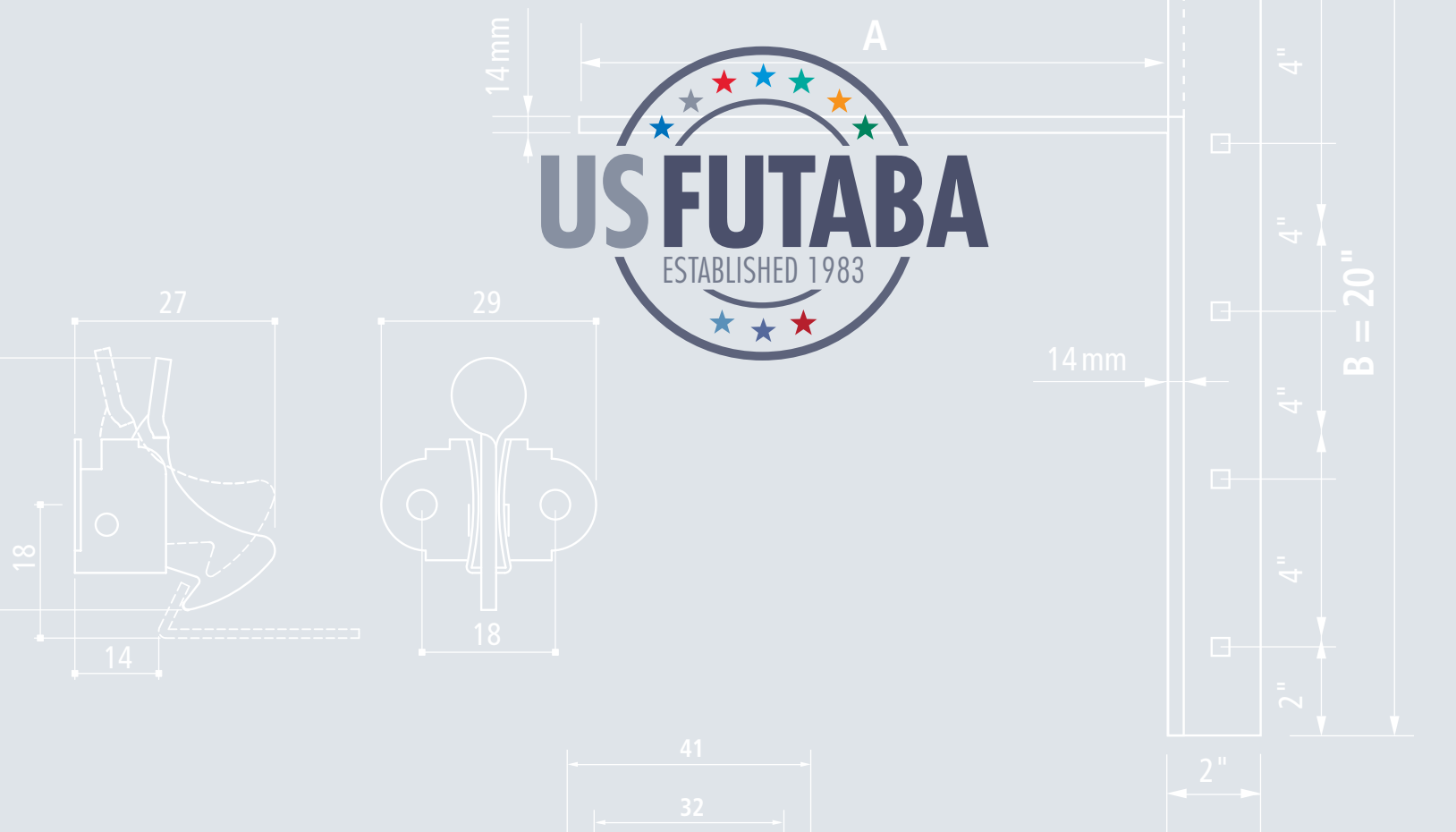
East Coast Branch

525 Byron Street, Suite C. · Chesapeake, VA 23320
Phone (877) 293-0584 · Fax (757) 549-9794

▶▶ email: sales@usfutaba.com

Conversion Inch - Millimeter

Fraction	Decimal	Millimeter
1/64	.015625	.39668
1/32	.03125	.79375
3/64	.046875	1.19063
1/16	.0625	1.58750
5/64	.078125	1.98438
3/32	.09375	2.38125
7/64	.109375	2.77813
1/8	.125	3.17500
9/64	.140625	3.57188
5/32	.15625	3.9687
11/64	.171875	4.36563
3/16	.1875	4.7625
13/64	.203125	5.15938
7/32	.21875	5.55625
15/64	.234375	5.95313
1/4	.250	6.3500
17/64	.265625	6.74688
9/32	.28125	7.14375
19/64	.296875	7.54063
5/16	.3125	7.93750
21/64	.328125	8.33438
11/32	.34375	8.73125
23/64	.359375	9.12813
3/8	.375	9.5250
25/64	.390625	9.92188
13/32	.40625	10.31875
27/64	.421875	10.71563
7/16	.4375	11.11250
29/64	.453125	11.50938
15/32	.46875	11.90625
31/64	.48375	12.30313
1/2	.500	12.700
33/64	.515625	13.09688
17/32	.53125	13.49375
35/64	.546875	13.89063
9/16	.5625	14.28750
37/64	.578125	14.68438
19/32	.59375	15.08125
39/64	.609375	15.47813
5/8	.625	15.87500
41/64	.640625	16.27188
21/32	.65625	16.66875
43/64	.671575	17.06563
11/16	.6875	17.46250
45/64	.703125	17.85938
23/32	.71875	18.25625
47/64	.734375	18.65312
3/4	.750	19.0500
49/64	.765625	19.44688
25/32	.78125	19.84375
51/64	.796875	20.24063
13/16	.8125	20.63750
53/64	.828125	21.03438
27/32	.84375	21.43125
55/64	.859375	21.8281
7/8	.875	22.22500
57/64	.890625	22.62188
29/32	.90625	23.01875
59/64	.921875	23.41563
15/16	.9375	23.81250
61/64	.953125	24.2093
31/32	.96875	24.60625
63/64	.984375	25.00313
1	1.000	25.4000



09
FUNCTIONAL HARDWARE

Heavy-Duty Workstation Brackets

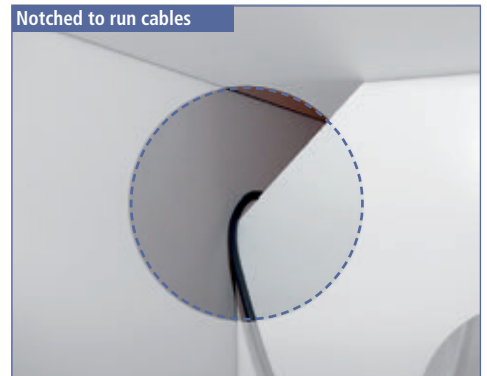


Features

- ▶▶ 1/8" steel construction
- ▶▶ Brackets are reversible
- ▶▶ Sizes 12"x 18" – 24"x 29" have a 3"x 3" (45° notch) that allow for any wiring to pass through
- ▶▶ Load capacity: 1,000 lbs. (453.6 kg)
- ▶▶ 4 powder coat finishes available: black, white, gray, & almond
- ▶▶ Now offering a primed option – allows for an on-site custom finish to be selected

Applications

- ▶▶ Counter tops
- ▶▶ Work surfaces
- ▶▶ Bookshelves
- ▶▶ Closet shelves
- ▶▶ ADA access
- ▶▶ Training rooms
- ▶▶ Benches



Item Number	Dimensions A x B		Finish
	Inch	mm	
72531 77 131	5 x 8	127 x 203	Almond
72531 80 132	5 x 8	127 x 203	Black
72531 86 133	5 x 8	127 x 203	Gray
72531 76 111	5 x 8	127 x 203	Primed
72531 82 135	5 x 8	127 x 203	White
72531 77 136	8 x 12	203 x 305	Almond
72531 80 137	8 x 12	203 x 305	Black
72531 86 138	8 x 12	203 x 305	Gray
72531 76 112	8 x 12	203 x 305	Primed
72531 82 140	8 x 12	203 x 305	White
72531 77 141	12 x 18	305 x 457	Almond
72531 80 142	12 x 18	305 x 457	Black
72531 86 143	12 x 18	305 x 457	Gray
72531 76 113	12 x 18	305 x 457	Primed
72531 82 145	12 x 18	305 x 457	White

Item Number	Dimensions A x B		Finish
	Inch	mm	
72531 77 146	15 x 21	381 x 533	Almond
72531 80 147	15 x 21	381 x 533	Black
72531 86 148	15 x 21	381 x 533	Gray
72531 76 114	15 x 21	381 x 533	Primed
72531 82 150	15 x 21	381 x 533	White
72531 77 126	18 x 18	457 x 457	Almond
72531 80 127	18 x 18	457 x 457	Black
72531 86 130	18 x 18	457 x 457	Gray
72531 76 110	18 x 18	457 x 457	Primed
72531 82 128	18 x 18	457 x 457	White
72531 77 151	18 x 24	457 x 609	Almond
72531 80 152	18 x 24	457 x 609	Black
72531 86 153	18 x 24	457 x 609	Gray
72531 76 115	18 x 24	457 x 609	Primed
72531 82 155	18 x 24	457 x 609	White

Item Number	Dimensions A x B		Finish
	Inch	mm	
72531 77 156	24 x 24	609 x 609	Almond
72531 80 157	24 x 24	609 x 609	Black
72531 86 158	24 x 24	609 x 609	Gray
72531 76 116	24 x 24	609 x 609	Primed
72531 82 160	24 x 24	609 x 609	White
72531 77 161	24 x 29	609 x 736	Almond
72531 80 162	24 x 29	609 x 736	Black
72531 86 163	24 x 29	609 x 736	Gray
72531 76 117	24 x 29	609 x 736	Primed
72531 82 165	24 x 29	609 x 736	White

Features

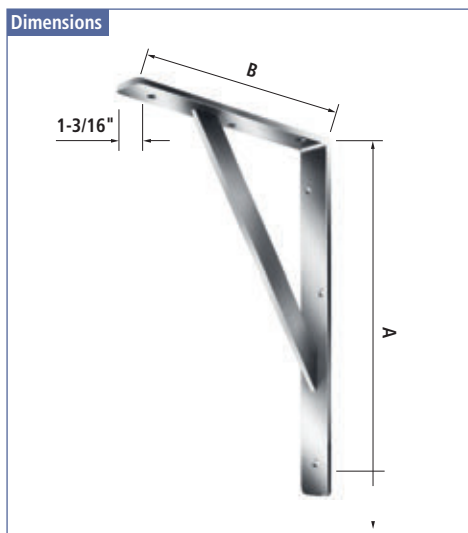
- ▶▶ Steel construction – 3/16" (5 mm)
- ▶▶ Mounting:
 - 5/16" lag screws for wall mounting
 - #8 wood screws for shelf mounting
- ▶▶ Available finishes (epoxy coating): white or black

Applications

- ▶▶ Counter tops
- ▶▶ Work surfaces
- ▶▶ Bookshelves
- ▶▶ Closet shelves



Item Number	Dimensions A x B		Finish
	Inch	mm	
72531 80 078	11-13/16 x 8-1/4	300 x 210	Black
72531 82 077	11-13/16 x 8-1/4	300 x 210	White
72531 80 080	15-3/4 x 10-5/8	400 x 270	Black
72531 82 079	15-3/4 x 10-5/8	400 x 270	White
72531 80 082	19-11/16 x 13	500 x 330	Black
72531 82 081	19-11/16 x 13	500 x 330	White
72531 80 084	21-11/16 x 14-3/16	550 x 360	Black
72531 82 083	21-11/16 x 14-3/16	550 x 360	White



Three Position Folding Brackets



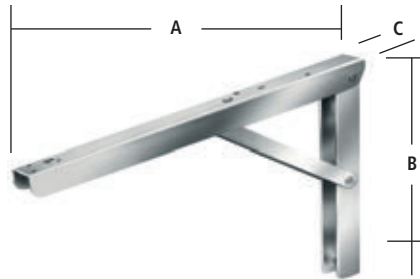
Applications

- ▶▶ Counter tops
- ▶▶ Work surfaces
- ▶▶ Bookshelves
- ▶▶ Closet shelves

- + Stainless steel version:
- ▶▶ Marine industry
- ▶▶ Outdoor kitchens

Item Number	A		B		C		Finish
	Inch	mm	Inch	mm	Inch	mm	
72531 02 087	11-7/8	300	7-7/8	200	1-1/8	30	Galvanized
72531 56 075	11-7/8	300	7-7/8	200	1-1/8	30	Stainless Steel
72531 02 089	15-3/4	400	10-7/8	275	1-3/8	35	Galvanized
72531 56 076	15-3/4	400	10-7/8	275	1-3/8	35	Stainless Steel

Dimensions

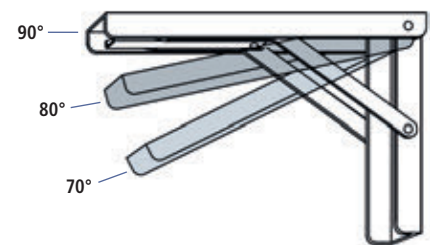


Features

- ▶▶ Galvanized steel or stainless steel construction
- ▶▶ Spring held in closed position
- ▶▶ Adjusts in 90°, 80°, & 70° angle
- ▶▶ Available in two sizes:
 - 11" x 8" (300 mm x 200 mm)
 - 16" x 11" (400 mm x 275 mm)
- ▶▶ Load capacity:
 - 440 lbs. (200 kg) – each
 - 880 lbs. (400 kg) – per pair



3 Angle Adjust

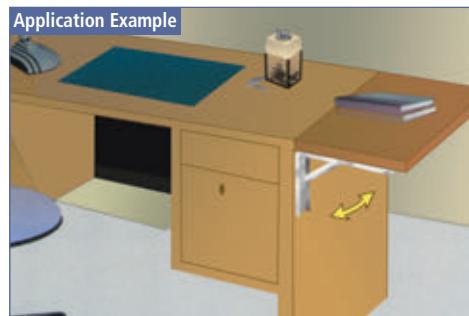


Folding Bracket



Item Number	Size		A		B		T	
	Inch	mm	Inch	mm	Inch	mm	Inch	mm
72531 03 088	10	250	10	250	3-1/4	83	1/2	12

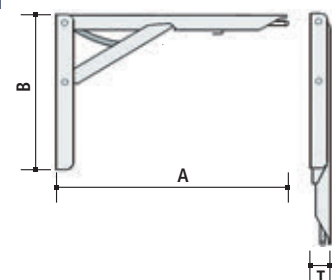
Application Example



Features

- ▶▶ Steel
- ▶▶ Spring held in closed position
- ▶▶ Load capacity: 88 lbs. (40 kg)
- ▶▶ Finish: yellow zinc

Dimensions



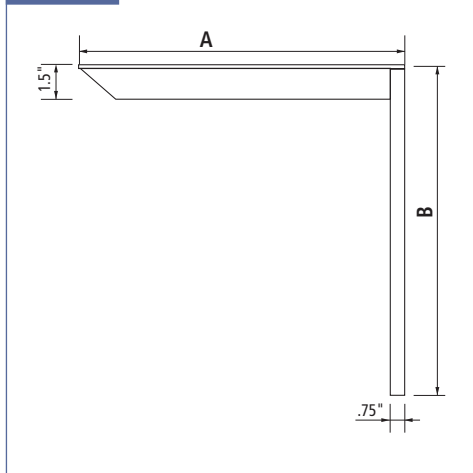
Features

- ▶ Non-handed
- ▶ Can be mounted on a surface or concealed – floating shelf appearance
- ▶ Multiple mounting holes on support arms & the vertical tube
- ▶ Vertical tubular arm: 1-1/2" (W) x 3/4" (THK)
- ▶ Horizontal arm (T-shape): 1-1/2" x 1-1/2"
- ▶ Load capacity (per Pair): 1,050 lbs. – 2,200 lbs.
- ▶ Texture powder coated finishes: black & white
- ▶ Packaging: 2 brackets/box
- ▶ Available with 12", 18", & 24" support arms
- ▶ Mounting hardware is not included

Applications

- ▶ Counter tops
- ▶ Work surfaces
- ▶ Floating shelves
- ▶ Standard shelves
- ▶ ADA accessible
- ▶ Training rooms
- ▶ Benches

Dimensions



Item Number	A Support Arm		Height B		Load Rating (pair)		Finish
	Inch	mm	Inch	mm	lbs.	kg	
72531 80 212	12	305	12	305	2,050	930	Black
72531 82 215	12	305	12	305	2,050	930	White
72531 80 213	18	457	18	457	1,780	807	Black
72531 82 216	18	457	18	457	1,780	807	White
72531 80 214	24	609	24	609	1,360	617	Black
72531 82 217	24	609	24	609	1,360	617	White



Concealed Mounting



Surface Mounting



Mounting Detail



Finishing Caps



Concealed applications require ripping a 2" x 4" lengthwise, and mounting the ripped 2" x 4" **2** to the side of a standard 2" x 4" **1** stud. Bracket is then mounted to the recessed (ripped) 2" x 4". Install drywall around support arm.

Plastic finishing caps in matching color to conceal the bottom of tube **2** and the mounting screw holes **1** are included.

Drywalled



Extended Concealed Brackets - Steel



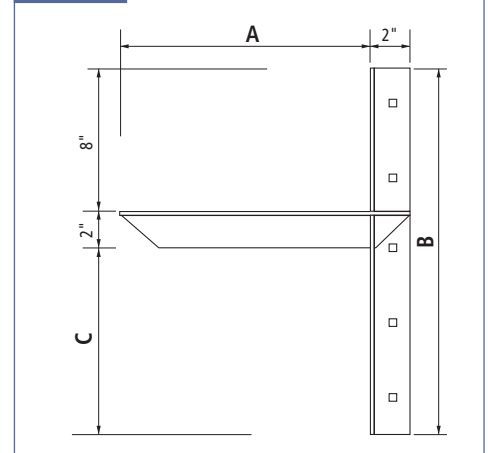
Features

- ▶▶ Steel construction
- ▶▶ Upper extension – above the support arm – along with thicker material provides superior strength
- ▶▶ Square mounting holes to lock bolt in place for single tool tightening
- ▶▶ Load capacity (per Pair): 2,320 lbs. – 7,350 lbs.
- ▶▶ Texture powder coated finishes: black & white
- ▶▶ Packaging: 2 brackets/box
 - One left-handed and one right-handed
- ▶▶ Available with 9", 12", 18", & 24" support arms
- ▶▶ Mounting bolts, nuts, lock & flat washers included (3/8" x 3")

Applications

- ▶▶ Counter tops
- ▶▶ Work surfaces
- ▶▶ Floating shelves
- ▶▶ Standard shelves
- ▶▶ ADA accessible
- ▶▶ Training rooms
- ▶▶ Benches

Dimensions



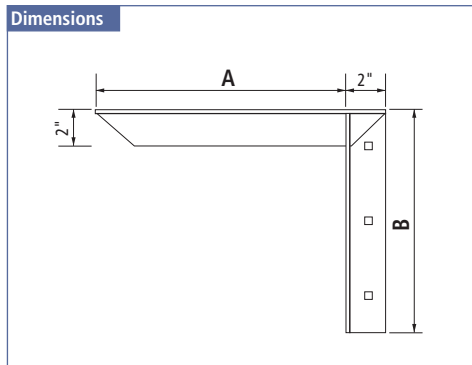
Item Number	A Support Arm		Height B		Height C		Load Rating (pair)		Finish
	Inch	mm	Inch	mm	Inch	mm	lbs.	kg	
72531 80 208	9	228	20	508	12	305	7,350	3,334	Black
72531 82 174	9	228	20	508	12	305	7,350	3,334	White
72531 80 209	12	305	20	508	12	305	3,100	1,407	Black
72531 82 175	12	305	20	508	12	305	3,100	1,407	White
72531 80 210	18	457	26	457	18	660	4,500	2,041	Black
72531 82 176	18	457	26	457	18	660	4,500	2,041	White
72531 80 211	24	609	26	457	18	660	2,320	1,053	Black
72531 82 177	24	609	26	457	18	660	2,320	1,053	White

Features

- ▶ Steel construction
- ▶ Square mounting holes to lock bolt in place for single tool tightening
- ▶ Load capacity (per Pair):
1,800 lbs. – 4,520 lbs.
- ▶ Texture powder coated finishes:
black & white
- ▶ Packaging: 2 brackets/box
 - One left-handed and one right-handed
- ▶ Available with 9", 12", 18", & 24" support arms
- ▶ Mounting bolts, nuts, lock & flat washers included (3/8" x 3")

Applications

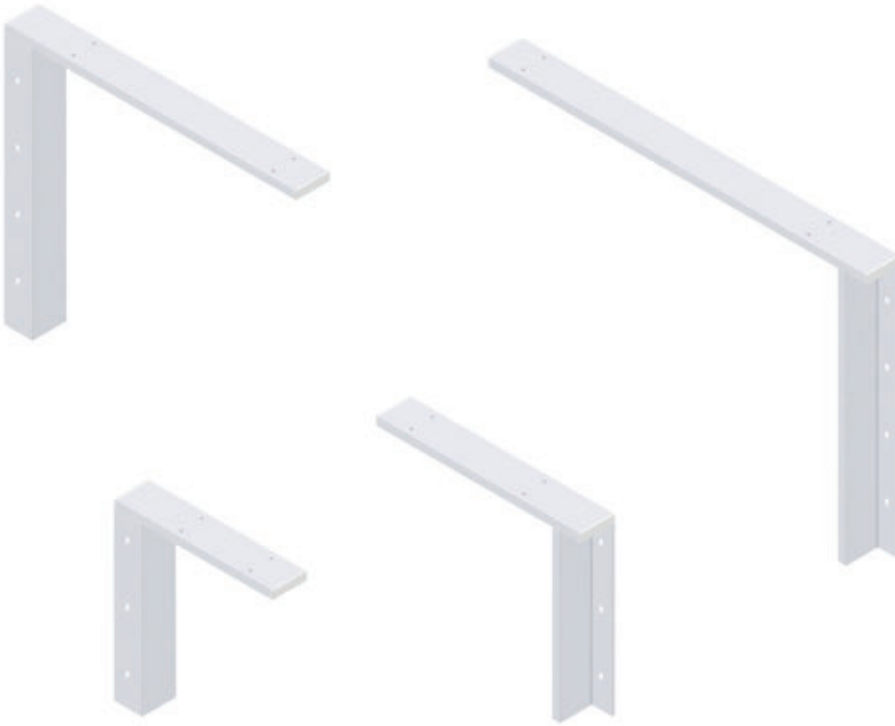
- ▶ Counter tops
- ▶ Work surfaces
- ▶ Floating shelves
- ▶ Standard shelves
- ▶ ADA accessible
- ▶ Training rooms
- ▶ Benches



Item Number	A Support Arm		Height B		Load Rating (pair)		Finish
	Inch	mm	Inch	mm	lbs.	kg	
72531 80 204	9	228	12	305	4,520	2,052	Black
72531 82 170	9	228	12	305	4,520	2,052	White
72531 80 205	12	305	12	305	4,020	1,825	Black
72531 82 171	12	305	12	305	4,020	1,825	White
72531 80 206	18	457	18	457	2,060	935	Black
72531 82 172	18	457	18	457	2,060	935	White
72531 80 207	24	609	18	457	1,800	817	Black
72531 82 173	24	609	18	457	1,800	817	White



Concealed Brackets - Aluminum

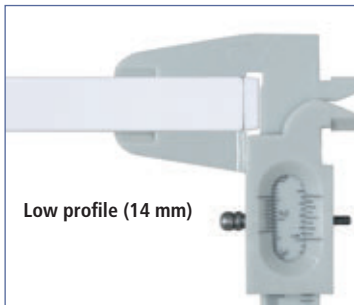


Features

- ▶▶ 6063 aluminum – allows for a light weight for an easier transportation & installation
- ▶▶ Weather resistant
- ▶▶ Load capacity (per Pair): 500 lbs.
- ▶▶ Finish: white
- ▶▶ Available with 9", 12", 18", & 24" support arms
- ▶▶ Mounting bolts, nuts, lock, & flat washers included

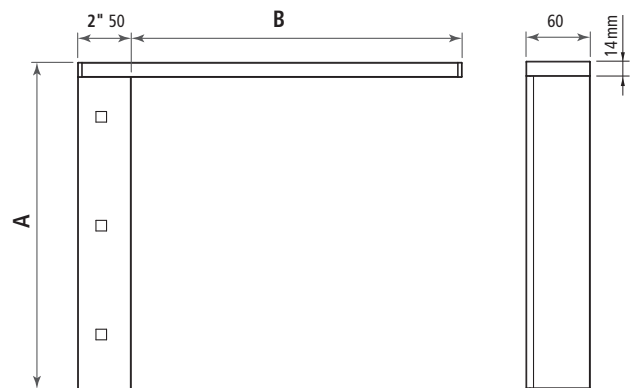
Applications

- ▶▶ Counter tops
- ▶▶ Work surfaces
- ▶▶ Floating shelves
- ▶▶ ADA accessible
- ▶▶ Training rooms
- ▶▶ MRI/Clean rooms
- ▶▶ Outdoor



Item Number	A Height		B Support Arm	
	Inch	mm	Inch	mm
72531 29 400	12	305	9	229
72531 29 401	12	305	12	305
72531 29 402	18	457	18	457
72531 29 403	18	457	24	609

Dimensions

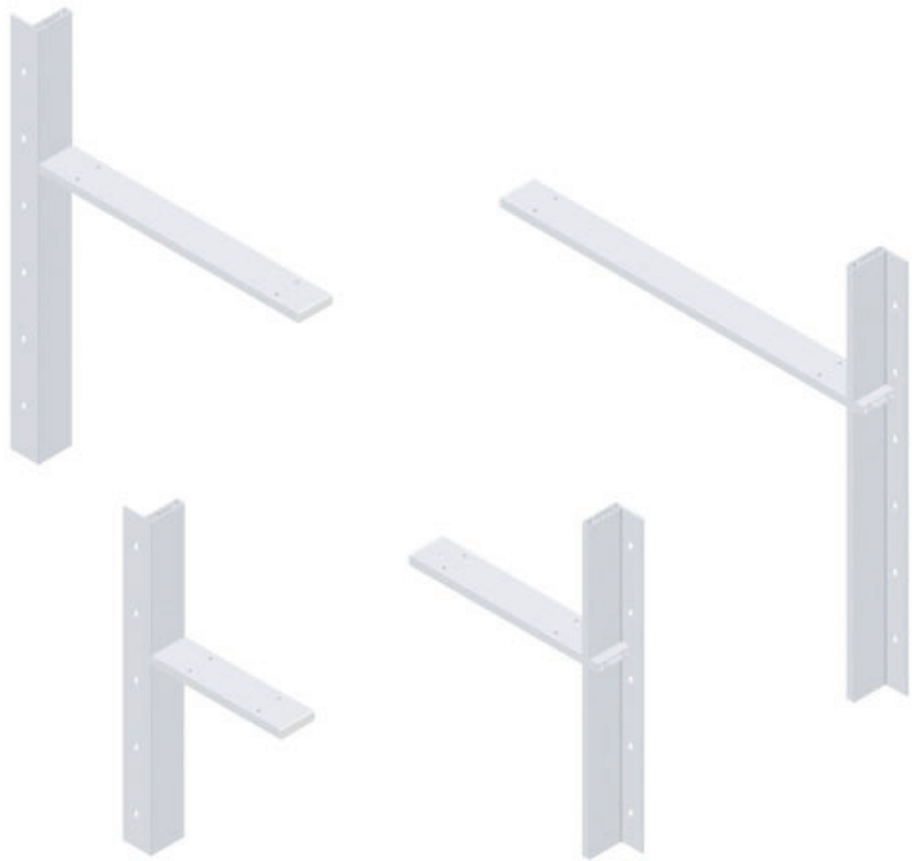


Features

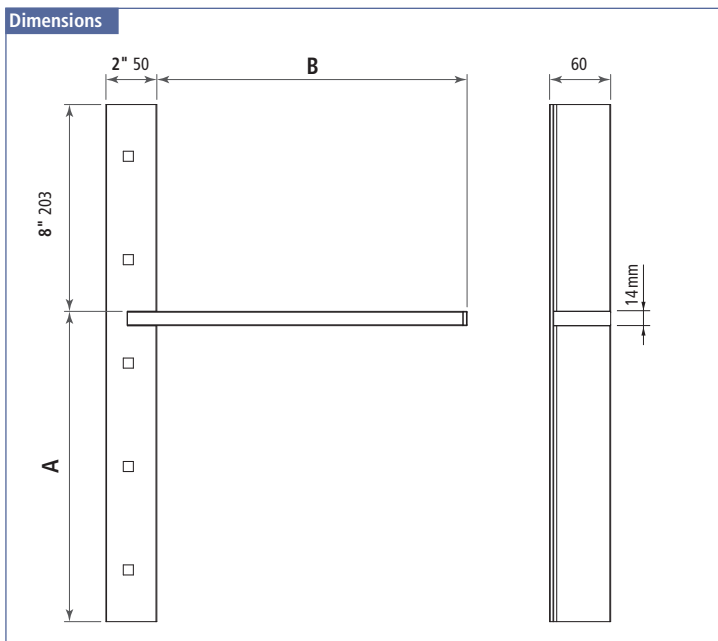
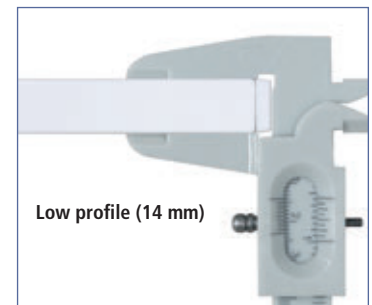
- ▶ 6063 aluminum – allows for a light weight for an easier transportation & installation
- ▶ Weather resistant
- ▶ Load capacity (per Pair): 600 lbs.
- ▶ Finish: white
- ▶ Available with 9", 12", 18", & 24" support arms
- ▶ Mounting bolts, nuts, lock, & flat washers included

Applications

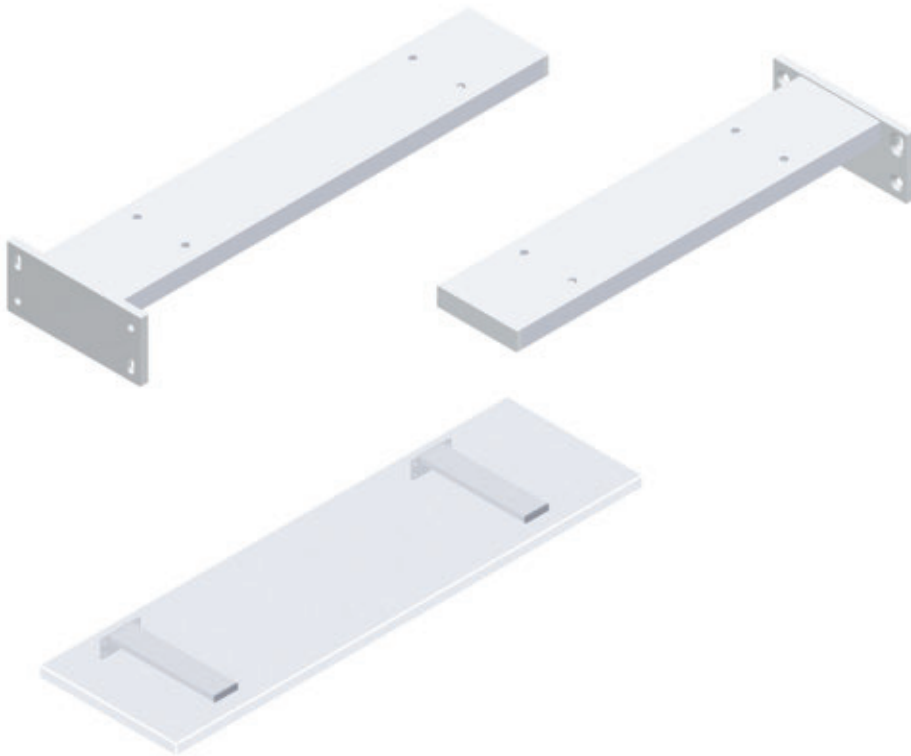
- ▶ Counter tops
- ▶ Work surfaces
- ▶ Floating shelves
- ▶ ADA accessible
- ▶ Training rooms
- ▶ MRI/Clean rooms
- ▶ Outdoor



Item Number	A Height		B Support Arm	
	Inch	mm	Inch	mm
72531 29 410	12	305	9	229
72531 29 411	12	305	12	305
72531 29 412	18	457	18	457
72531 29 413	18	457	24	609



Wall Mount Shelf Brackets - Aluminum

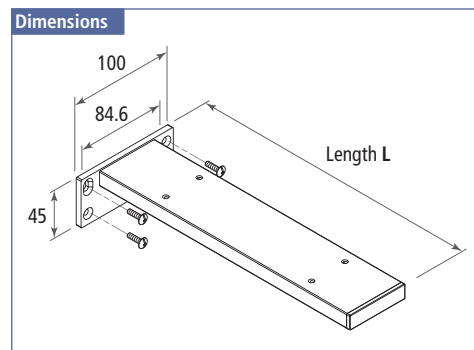
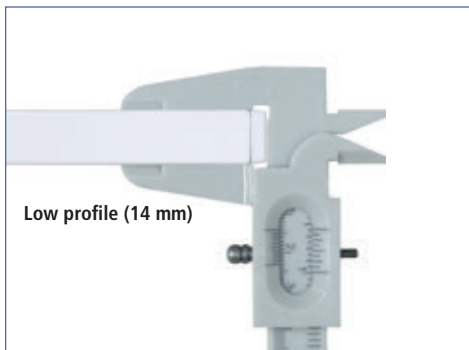


Features

- ▶▶ 6063 aluminum – allows for a light weight for an easier transportation & installation
- ▶▶ Weather resistant
- ▶▶ Lengths: 10-7/8" & 12-7/8"
- ▶▶ Load capacity (per Pair): 30 lbs.
- ▶▶ Finish: white

Applications

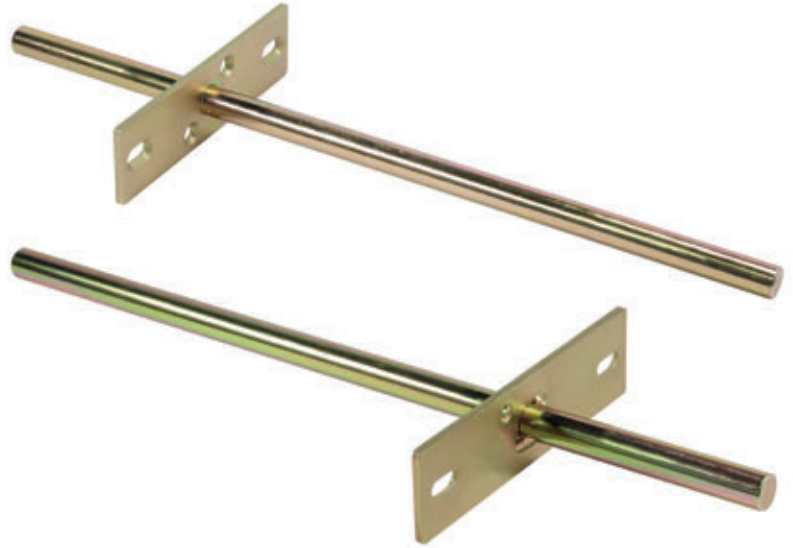
- ▶▶ Floating shelves
- ▶▶ MRI/Clean rooms
- ▶▶ Outdoor



Item Number	Length L		Shelf Depth	
	Inch	mm	Inch	mm
72531 29 420	10-7/8	277	12 – 16	300 – 400
72531 29 421	12-7/8	327	14 – 18	350 – 450

Features

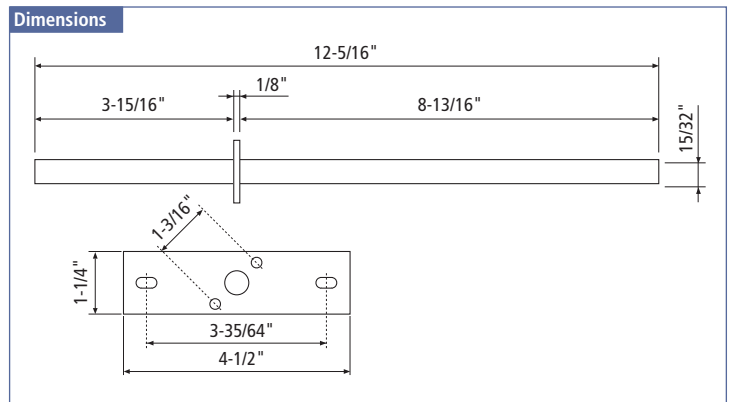
- ▶ A zinc plated finish over a solid steel construction
- ▶ The supports can be cut – to accommodate a shallower shelf for example
- ▶ When concealing the hardware the shelf must have:
 - A minimum shelf length of 21"
 - A minimum shelf height of 1-½"
- ▶ Load rating (per pair): 150 lbs. (after installing into a stud)
- ▶ Dimensions:
 - Length (support arm only): 225 mm
 - Bar diameter Ø: 12mm
 - Plate thickness: 3 mm (1/8")
- ▶ Four mounting holes in total – 2 are fixed and 2 are slotted
- ▶ Mounting screws included – 2 per support
- ▶ Packaging: 10 pieces/box



Applications

- ▶ Shelving that requires a higher load rating
- ▶ Solid wood shelving
- ▶ Deep floating shelves
- ▶ Bedside tables

Item Number	Description
72399 04 091	Heavy-duty Floating Shelf Support



ADA Toe Kick Brackets

Americans with Disabilities Act compliant. Allows the toe kick to swing out with the cabinet. Providing unimpeded access for wheelchairs to sink counters, desks and a variety of areas.

Features

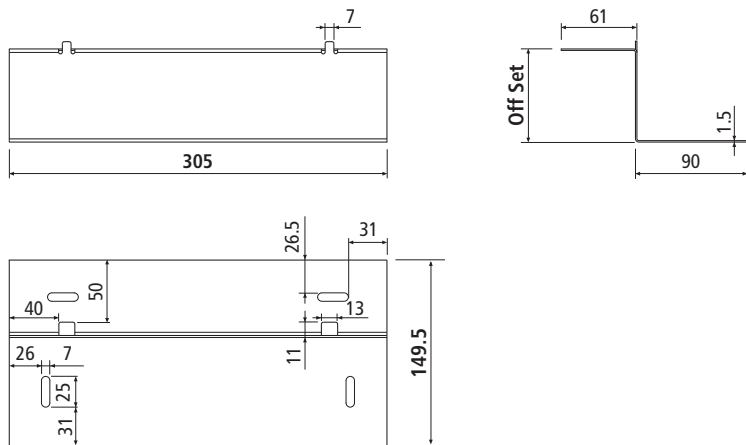
- » 18 gauge steel powder coated
- » Allows for fully accessible counters
- » Slotted holes for adjustment
- » Tabs to help with proper alignment to the bottom of doors
- » Width 12", overall height 6"
- » Available in 3" or 4" off set
- » Mounting screws included
- » Packaging: 10 pairs/box

Applications

- » Hospitals
- » Restaurants
- » Schools
- » Restrooms
- » Nursing homes
- » ADA access



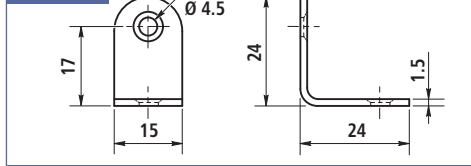
Dimensions



Item Number	Off Set		Weight grams	Finish
	Inch	mm		
71511 80 250	3	75	650	Black
71511 82 252	3	75	650	White
71511 80 251	4	100	700	Black
71511 82 253	4	100	700	White

Angle Brackets

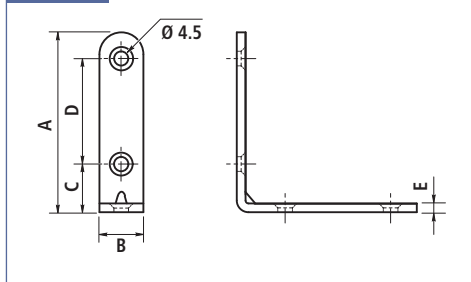
Dimensions



One hole type			
Item Number	Dimensions		Finish
	Inch	mm	
72531 02 106	1 x 1	24 x 24	Galvanized



Dimensions

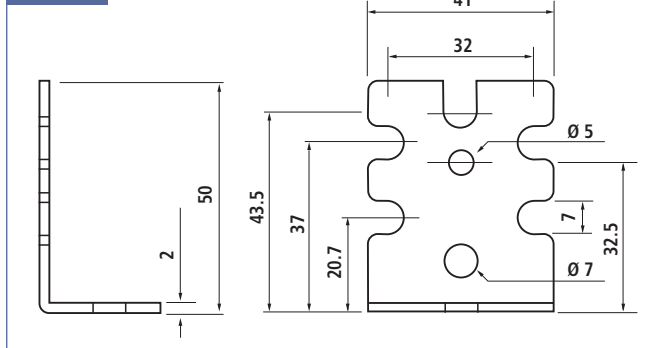


Two hole type											
Item Number	A		B		C		D		E		Finish
	Inch	mm	Inch	mm	Inch	mm	Inch	mm	Inch	mm	
72531 02 099	1-3/16	32	9/16	15	7/16	11	9/16	14	1/16	2	Galvanized
72531 02 100	1-9/16	42	9/16	15	5/8	16.5	1-1/16	17.5	1/16	2	Galvanized
72531 02 101	2	52	9/16	15	11/16	17	1-1/16	26.5	1/16	2	Galvanized
72531 02 102	2-3/8	62	9/16	15	11/16	17	1-7/16	36	1/16	2	Galvanized
72531 02 103	2-3/4	72.5	9/16	15	11/16	17	1-13/16	46.5	1/8	3	Galvanized
72531 02 104	3-1/8	82.5	9/16	15	11/16	17	2-3/16	56	1/8	3	Galvanized
72531 02 105	4	100	13/16	20	1-7/16	37	1-7/8	48	1/8	3	Galvanized



Euro Brackets

Dimensions

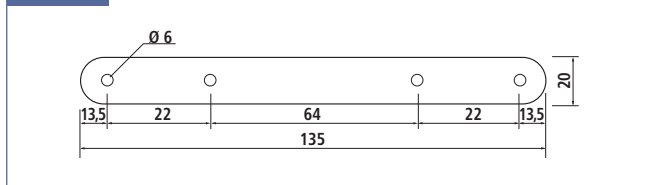


Item Number	Dimensions W x L x H		Finish
	Inch	mm	
72531 04 093	1-5/8 x 1-7/8 x 1-1/16	42 x 47 x 27	Zinc Plated
72531 82 094	1-5/8 x 1-7/8 x 1-1/16	42 x 47 x 27	White Coated

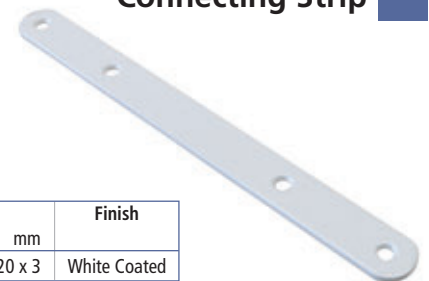


Connecting Strip

Dimensions



Item Number	Dimensions L x B x T		Finish
	Inch	mm	
72331 82 026	5-5/16 x 13/16 x 1/8	135 x 20 x 3	White Coated



Connecting Screws

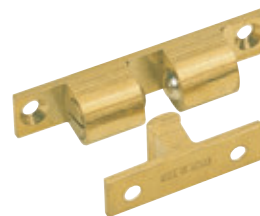
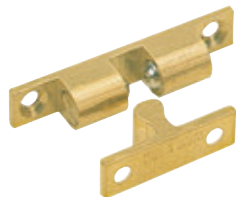


Connecting Screw PZD with hole head					
Item Number	Length		Shank Ø		Finish
	Inch	mm	Inch	mm	
74111 04 007	1-31/32	50	9/32	7	Zinc Plated

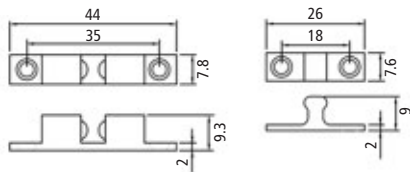
Connecting Screw with 3 mm allen head					
Item Number	Length		Shank Ø		Finish
	Inch	mm	Inch	mm	
74111 01 005	1-31/32	50	3/16	5	Black

Metal Sleeve with combi slot head for 19 mm Panels				
Item Number	Dimensions		Thread	Finish
	Inch	mm		
74133 52 039	3/16 x 1-5/32	5 x 35	M4	Nickel Plated

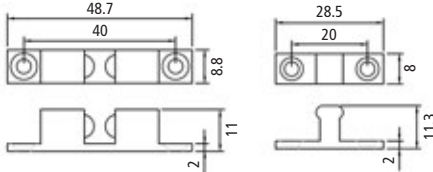
Double Bead Catches



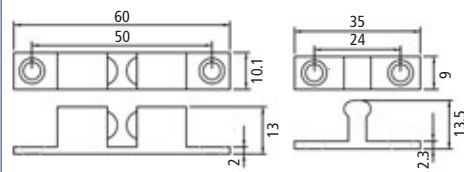
Dimensions



Dimensions



Dimensions



Item Number	Dimensions		Finish
	Inch	mm	
73512 55 082	1-11/16 x 5/16	43 x 8	Solid Brass

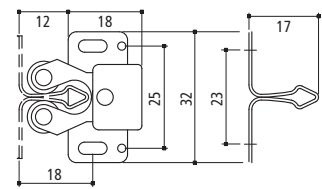
Item Number	Dimensions		Finish
	Inch	mm	
73512 55 083	1-15/16 x 3/8	49 x 9	Solid Brass

Item Number	Dimensions		Finish
	Inch	mm	
73512 55 084	2-3/8 x 7/16	59 x 11	Solid Brass

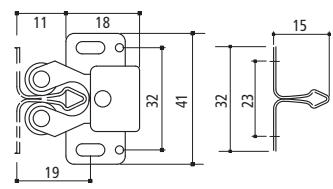
Double Roller Catches



Dimensions



Dimensions



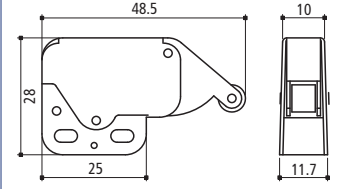
32 mm with plate and screw			
Item Number	Hole Distance c.c.		Finish
	Inch	mm	
73112 42 011	1	25	Antique Copper
73112 04 009	1	25	Zinc

32 mm high rise - bulk			
Item Number	Hole Distance c.c.		Finish
	Inch	mm	
73112 45 012	1-1/4	32	Bronze Plated
73112 04 013	1-1/4	32	Zinc

Mini Latch



Dimensions

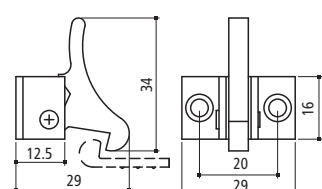


with strike			
Item Number	Dimensions		Finish
	Inch	mm	
73512 55 070	1-7/8 x 1-1/16	48.5 x 28	Brass/Brown Strike
73512 52 018	1-7/8 x 1-1/16	48.5 x 28	Nickel/Brown Strike
73512 52 071	1-7/8 x 1-1/16	48.5 x 28	Nickel/White Strike

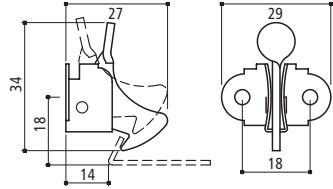
Elbow Catches



Dimensions



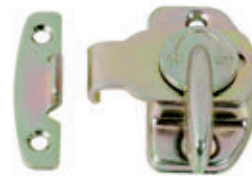
Dimensions



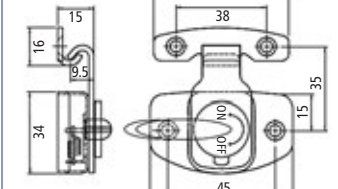
Solid brass with strike			
Item Number	Hole Distance c.c.		Finish
	Inch	mm	
73112 46 017	3/4	19	Chrome Plated

with strike, nail and screw			
Item Number	Hole Distance c.c.		Finish
	Inch	mm	
73112 55 015	5/8	16	Brass
73112 04 016	5/8	16	Zinc

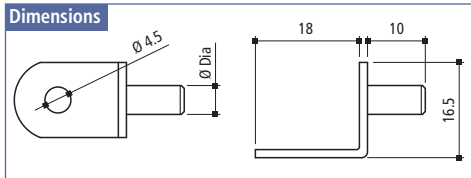
Cam Type Sash Lock



Dimensions

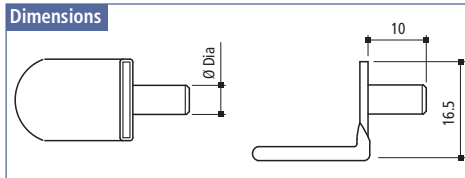


with spring action			
Item Number	Hole Distance c.c.		Finish
	Inch	mm	
74197 05 017	1-9/16 & 1-3/4	45 & 39.5	Yellow Zinc



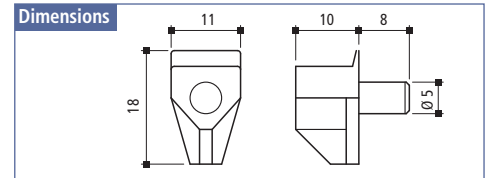
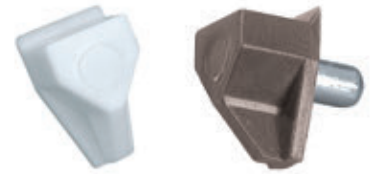
L-Shape - Steel with 1 hole

Item Number	Pin Ø Dia	Finish
72511 42 047	1/4"	Antique Copper
72511 42 054	5 mm	Antique Copper
72511 55 067	1/4"	Brass
72511 55 052	5 mm	Brass
72511 52 068	1/4"	Nickel
72511 52 069	5 mm	Nickel



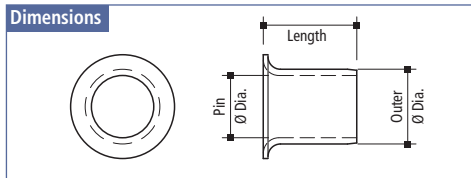
L-Shape - Steel with vinyl coating

Item Number	Pin Ø Dia	Finish
72511 42 042	1/4"	Antique Copper



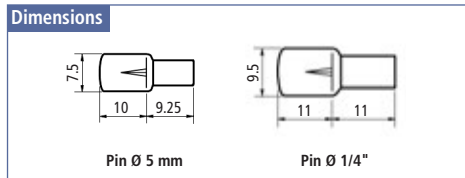
Plastic Shelf Support - with 5 mm steel pin

Item Number	Hole Ø Dia mm	Pin Length Inch	Pin Length mm	Finish
72511 10 038	5	5/16	8	Almond
72511 12 037	5	5/16	8	Black
72511 14 034	5	5/16	8	Brown
72511 15 029	5	5/16	8	Clear
72511 29 032	5	5/16	8	White



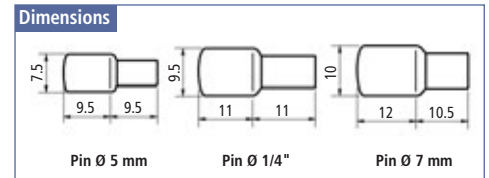
Sleeve for Spoon Shelf Support - Steel

Item Number	for Pin Ø Dia.	Outer Ø Dia. Inch	Outer Ø Dia. mm	Length Inch	Length mm	Finish
72191 55 015	1/4"	1/4	7.2	5/16	8	Brass
72191 55 018	7 mm	1/4	7.5	3/8	8	Brass
72191 52 016	1/4"	1/4	7.2	5/16	9	Nickel
72191 52 017	7 mm	1/4	7.5	3/8	9	Nickel



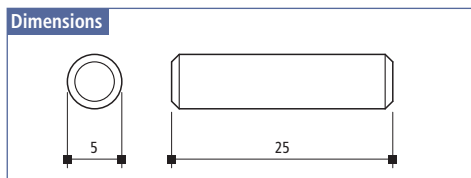
Spoon-Shape with Fin (anti-slip/slide) - Steel

Item Number	Pin Ø Dia	Finish
72111 55 023	1/4"	Brass
72111 55 001	5 mm	Brass
72111 52 024	1/4"	Nickel
72111 52 000	5 mm	Nickel



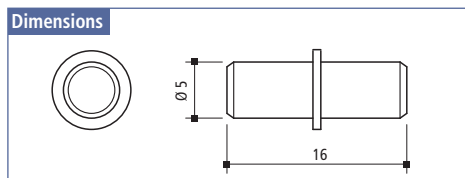
Spoon-Shape - Steel

Item Number	Pin Ø Dia	Finish
72111 55 007	3 mm	Brass
72111 55 002	1/4"	Brass
72111 55 008	5 mm	Brass
72111 55 013	7 mm	Brass
72111 52 009	3 mm	Nickel
72111 52 004	1/4"	Nickel
72111 52 010	5 mm	Nickel
72111 52 014	7 mm	Nickel



Straight Pin - Steel

Item Number	Pin Ø Dia Inch	Pin Ø Dia mm	Length Inch	Length mm	Finish
72311 52 070	3/16	5	1	25	Nickel



Pin type with Stop (Duplo) - Steel

Item Number	Pin Ø Dia Inch	Pin Ø Dia mm	Length Inch	Length mm	Finish
72311 04 021	3/16	5	5/8	16	Electro Zinc Plated

Spoon-Shape - Steel - 100 per Bag

Item Number	Pin Ø Dia	Finish
72111 55 202	5 mm	Brass
72111 55 203	1/4"	Brass
72111 52 200	5 mm	Nickel
72111 52 201	1/4"	Nickel

Self-Adhesive Bumpers

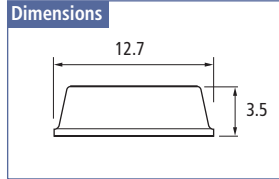


Features

- ▶ Absorbs impact
- ▶ Prevents skidding



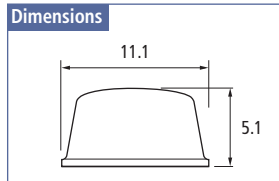
Cylindrical Type



Item Number	Diameter		Height		Packaging	Color
	Inch	mm	Inch	mm		
71361 15 205	1/2	12.7	1/8	3.5	200 per card	Clear



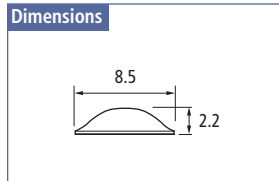
Cylindrical Type



Item Number	Diameter		Height		Packaging	Color
	Inch	mm	Inch	mm		
71361 15 202	7/16	11.5	13/64	5.1	242 per card	Clear



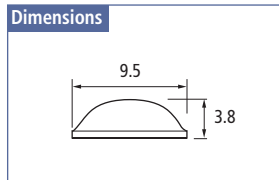
Hemispherical Type



Item Number	Diameter		Height		Packaging	Color
	Inch	mm	Inch	mm		
71361 15 200	21/64	8.5	1/16	2.2	450 per card	Clear



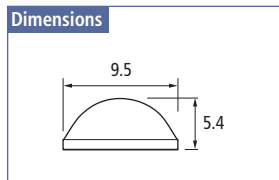
Hemispherical Type



Item Number	Diameter		Height		Packaging	Color
	Inch	mm	Inch	mm		
71361 12 201	3/8	9.5	5/32	3.8	288 per card	Black
71361 15 209	3/8	9.5	5/32	3.8	288 per card	Clear



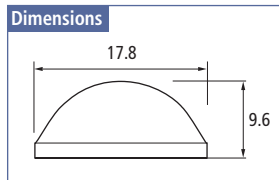
Hemispherical Type



Item Number	Diameter		Height		Packaging	Color
	Inch	mm	Inch	mm		
71361 12 204	3/8	9.5	7/32	5.4	300 per card	Black
71361 15 210	3/8	9.5	7/32	5.4	300 per card	Clear



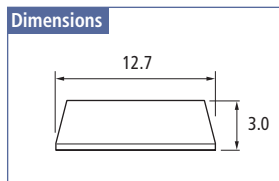
Hemispherical Type



Item Number	Diameter		Height		Packaging	Color
	Inch	mm	Inch	mm		
71361 15 203	45/64	17.8	3/8	9.6	98 per card	Clear

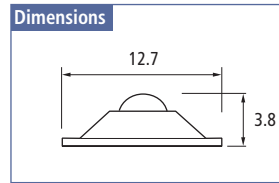


Square Type



Item Number	Length		Height		Packaging	Color
	Inch	mm	Inch	mm		
71361 15 208	1/2	12.7	1/8	3.0	200 per card	Clear

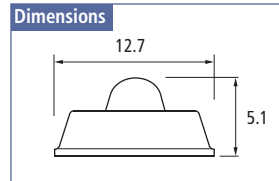
Item Number	Diameter		Height		Packaging	Color
	Inch	mm	Inch	mm		
71361 15 206	1/2	12.7	5/32	3.8	200 per card	Clear



Focal Type



Item Number	Diameter		Height		Packaging	Color
	Inch	mm	Inch	mm		
71361 15 207	1/2	12.7	13/64	5.1	200 per card	Clear



Focal Type



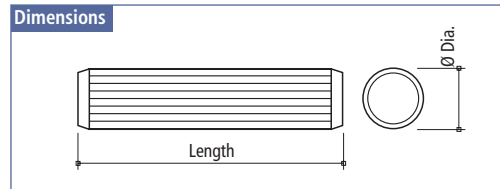
Wood Dowels

Features

- ▶ Calibrated beechwood dowels
- ▶ Manufactured from hardwood, which has proven to make the most durable and lasting dowel pin
- ▶ Also available as preglued dowels for maintenance-free automatic machine insertion



Item Number	Size Length x Ø Dia.		Version	Packaging
	Inch	mm		
74313 90 048	5/16 x 1	8 x 25	Raw	12M / bag
74313 90 049	5/16 x 1-3/16	8 x 30	Raw	10M / bag
74313 90 050	5/16 x 1-3/16	8 x 30	Preglued	10M / bag
74313 90 051	5/16 x 1-3/8	8 x 35	Raw	8.5M / bag
74313 90 052	5/16 x 1-3/8	8 x 35	Preglued	8.5M / bag



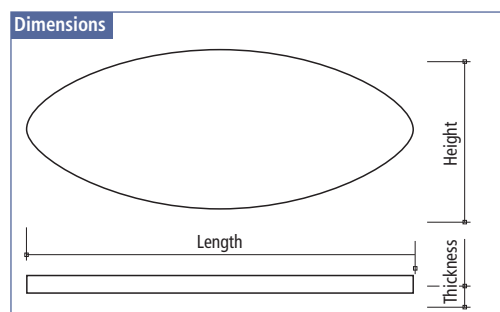
Wood Biscuits

Features

- ▶ Manufactured from beechwood
- ▶ Kiln dried



Item Number	Biscuit Size	Thickness		Length		Height		Packaging
		Inch	mm	Inch	mm	Inch	mm	
74315 90 057	# 0	3/16	5	1-3/4	45	9/16	15	1M / box
74315 90 055	# 10	3/16	4	2-3/16	55	3/4	19	1M / box
74315 90 056	# 20	3/16	4	2-3/8	60	7/8	23	1M / box



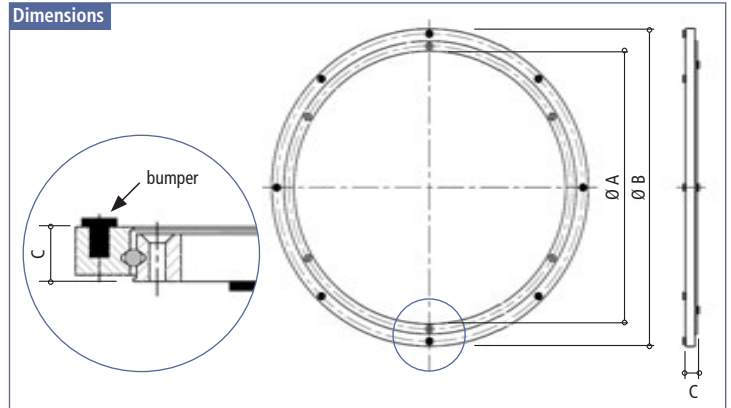
Aluminum Swivels with Ball Bearings



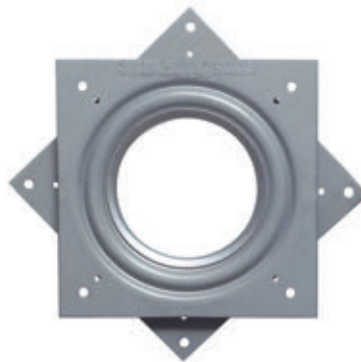
Features

- ▶ Carbon steel ball bearings
- ▶ 70213 40 012 is made of ADC12 aluminum – all other product numbers are made of AC2A aluminum

Item Number	Outer Ø Dia. B		Inner Ø Dia. A		Height C		Load Rating	
	Inch	mm	Inch	mm	Inch	mm	lbs.	kg
70213 40 012	12-3/4	325	10-1/2	265	1/2	12	175	80
70213 40 013	17-3/8	439	15	380	9/16	14	275	125
70214 40 015	23-9/16	599	20-1/2	520	5/8	16	660	300
70214 40 016	29-3/8	747	26-5/16	668	5/8	16	990	450

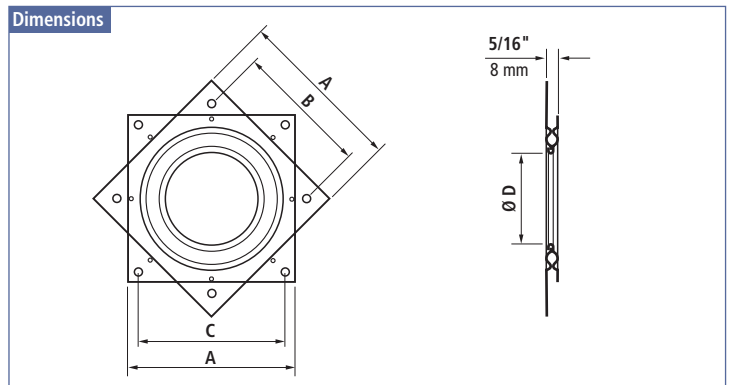
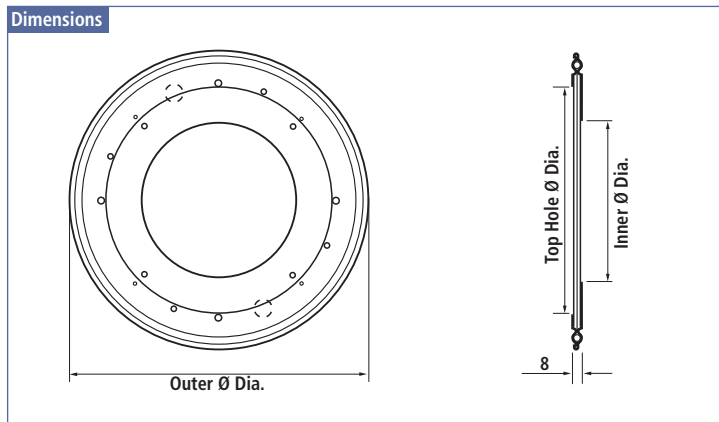


"Lazy Susan" Swivels with Ball Bearings



Features

- ▶ Steel ball bearings
- ▶ Galvanized steel construction



Round type								
Item Number	Outer Ø Dia.		Inner Ø Dia.		Top Hole Ø Dia.		Load Rating	
	Inch	mm	Inch	mm	Inch	mm	lbs.	kg
70214 02 046*	9	231	4-5/8	117	5-3/4	146	750	340
70214 02 014	12	304	6-1/4	160	9-1/16	230	1000	455

Square type										
Item Number	A		B		C		Inner Ø D.		Load Rating	
	Inch	mm	Inch	mm	Inch	mm	Inch	mm	lbs.	kg
70213 02 009	3	76	2-5/8	65	2-5/8	65	1-1/4	32	200	90
70213 02 010	4	102	3-3/16	81	3-1/2	89	2-3/16	55	300	135
70213 02 011	6	152	4-3/4	121	5-9/16	141	4-11/16	119	500	225

* – Special Order Only – call for current pricing, minimum order quantity, and lead-time.

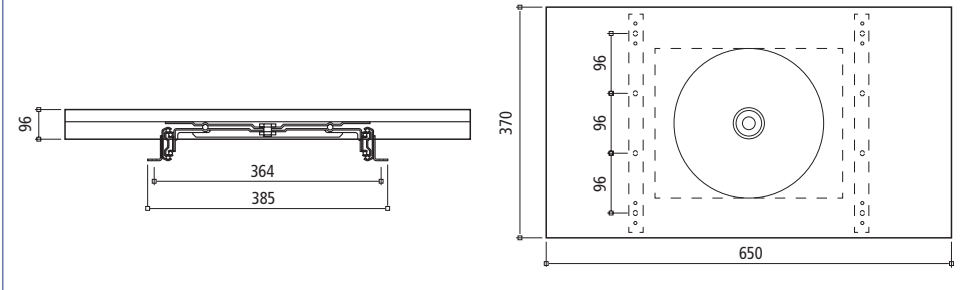
Heavy-Duty TV Pull-Out Swivel

Features

- ▶ Steel
- ▶ Front lip
- ▶ 3/4 extension ball bearing slides
- ▶ 11-3/8" travel
- ▶ Turntable dimensions: 26" x 15"
- ▶ Load capacity: 200 lbs.
- ▶ Finish: black
- ▶ Packaging: individually boxed



Dimensions

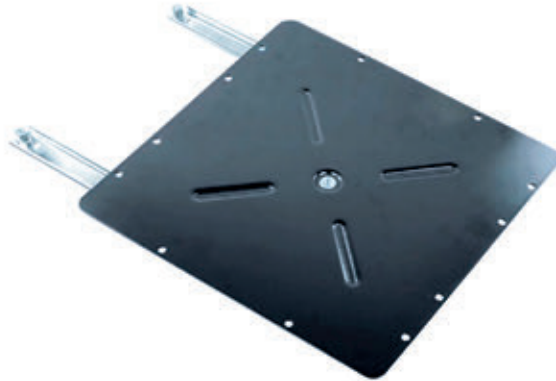


Item Number	Total Height		Max. Width		Total Length		Total Length	
	Inch	mm	Inch	mm	Inch	mm	Inch	mm
70113 01 007 (D)	2-7/16	62	25-3/4	650	14-1/2	370	13-3/4	350

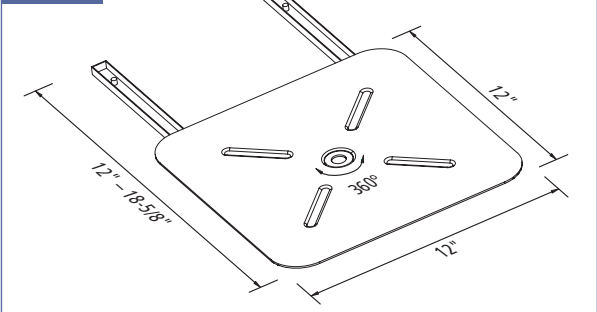
5/8 Extension TV Pull-Out Swivel

Features

- ▶ Turntable swivels 360°
- ▶ 5/8 extension ball bearing slides
- ▶ 6-5/8" travel
- ▶ Turntable dimensions: 12" x 12"
- ▶ Load capacity: 130 lbs.
- ▶ Black turntable with zinc slides
- ▶ Packaging: individually boxed



Dimensions



Item Number	Description
70112 12 004 (D)	5/8 Extension TV Pull-out Swivel

(D) – Discontinued Item – available until remaining stocks are sold out. Call for availability, quantities and potential special pricing.



WHISPER 1000

Features

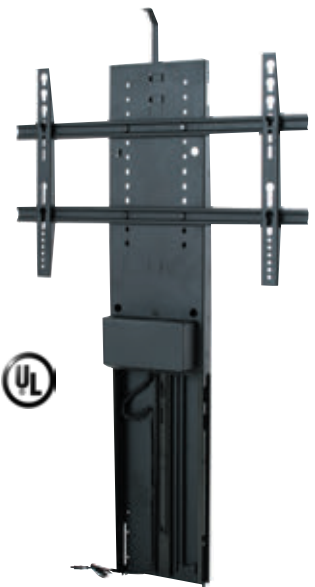
- ▶ Simple & fast mounting
- ▶ Quiet operation
- ▶ Reverse safety function
- ▶ Rack & pinion design with unique stability system
- ▶ UL listed power supply
- ▶ 2 Amp/30 Volt
- ▶ Requires only 2-3/16" depth – behind the TV
- ▶ Requires build in height of only 19-1/2"
- ▶ 39-3/8" of travel
- ▶ Load capacity: 145 lbs. (60 lbs. inverted)
- ▶ IR remote available



WHISPER 750

Features

- ▶ Simple & fast mounting
- ▶ Uses German Bosch motor for reliable & quiet operation
- ▶ Rack & pinion design with unique stability system
- ▶ UL listed power supply
- ▶ 2 Amp/30 Volt
- ▶ Requires only 2-3/4" depth – behind the TV
- ▶ 29-1/2" of travel
- ▶ Load capacity: 145 lbs. (60 lbs. inverted)
- ▶ IR remote available



Accommodates TVs 50"– 65"
39-3/8" of Travel (29-1/2" to 68-7/8")

Accommodates TVs 37"– 48"
29-1/2" of Travel (24-1/16" to 63-1/2")

Item Number	Description
70323 12 035	Flat Panel TV Lift WHISPER 1000

Item Number	Description
70323 12 019	Flat Panel TV Lift WHISPER RIDE 750

Installation instructions for Whisper 1000 online:



catalog.usfutaba.com/Whisper700&1000

Installation instructions for Whisper 750 online:



catalog.usfutaba.com/WhisperRide750



WHISPER 700

Features

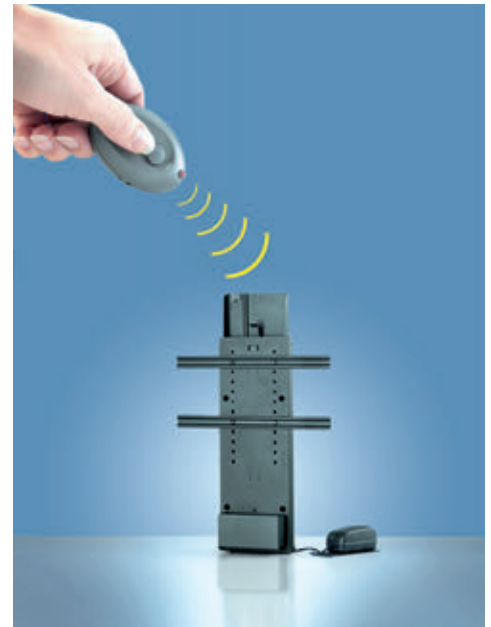
- ▶ Simple & fast mounting
- ▶ Quiet operation
- ▶ Reverse safety function
- ▶ Rack & pinion design with unique stability system
- ▶ UL listed power supply
- ▶ 2 Amp/30 Volt
- ▶ Requires only 2-13/16" depth – behind the TV
- ▶ 27-3/16" of travel
- ▶ Load capacity: 145 lbs. (60 lbs. inverted)
- ▶ IR remote available



Accommodates TVs 26" – 42"
27-3/16" of Travel (23-5/8" to 51-3/16")

Item Number	Description
70323 12 037	Flat Panel TV Lift WHISPER 700

Replacement Remote



Item Number	Description
70999 12 026	Replacement Remote for all WHISPER Lifts

Installation instructions for Whisper 700 online:



catalog.usfutaba.com/Whisper700&1000

Set of all WHISPER Lifts includes

- ▶ Remote control (RF)
- ▶ Manual push switch
- ▶ Adjustable lid lifter
- ▶ Plug and play assembly
- ▶ Universal TV mounting bracket

VERSALIFT · Flat Panel TV Lift

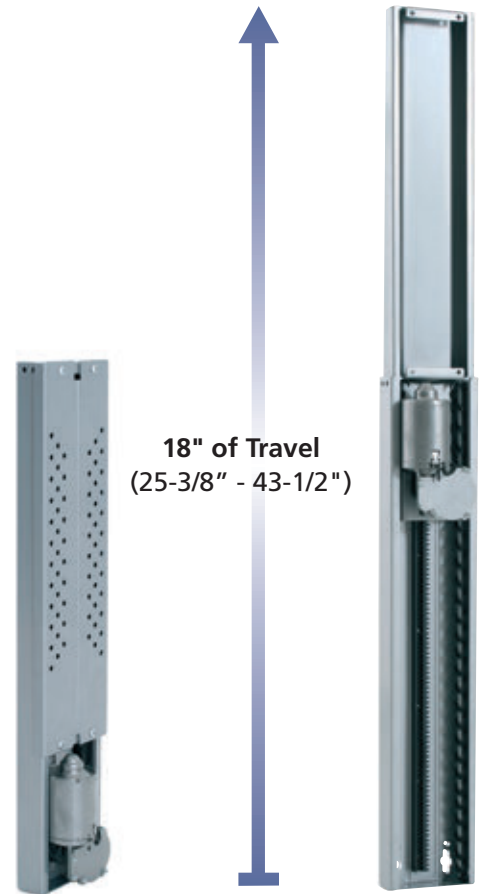


Item Number	Description
70321 27 018	Flat Panel TV Lift VERSALIFT

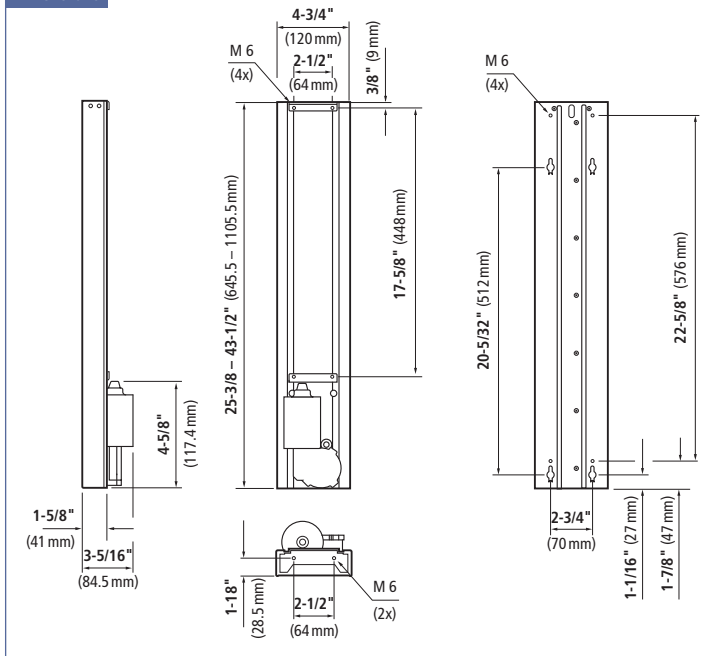
Accommodates TVs 10"– 26"

Features

- ▶ The remote-control lift was designed for multiple limited space applications: boats, RBs, footboards, end tables, hotels, base cabinets, etc.
- ▶ UL listed power supply
- ▶ 2 Amp/30 Volt
- ▶ 18" of travel
- ▶ Load capacity: 110 lbs. (45 lbs. inverted)
- ▶ IR remote available



Dimensions



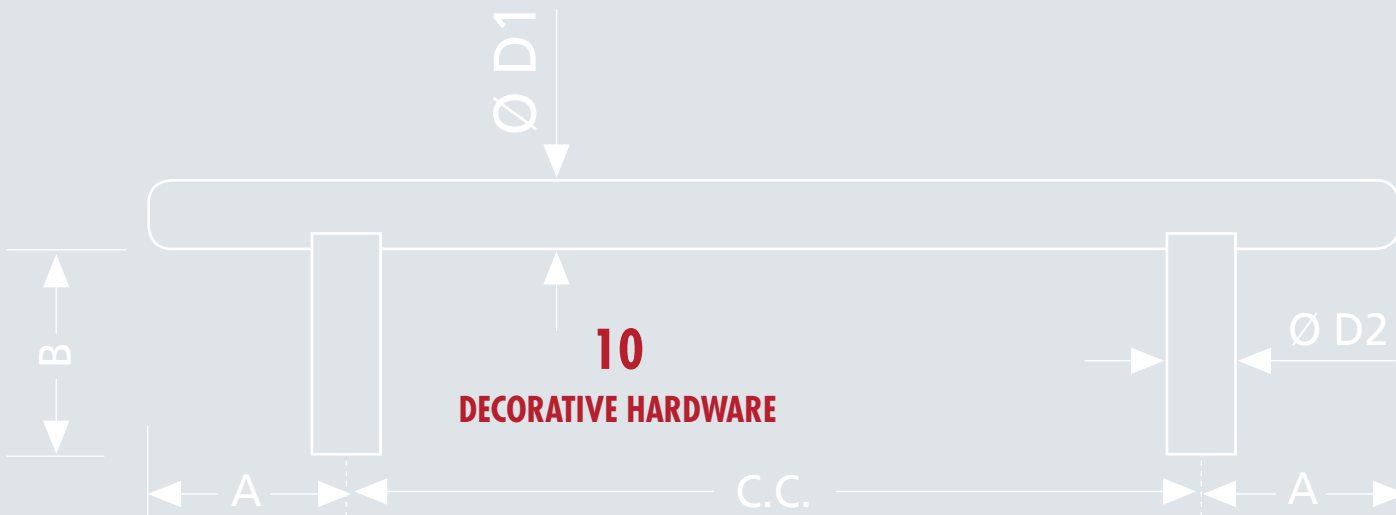
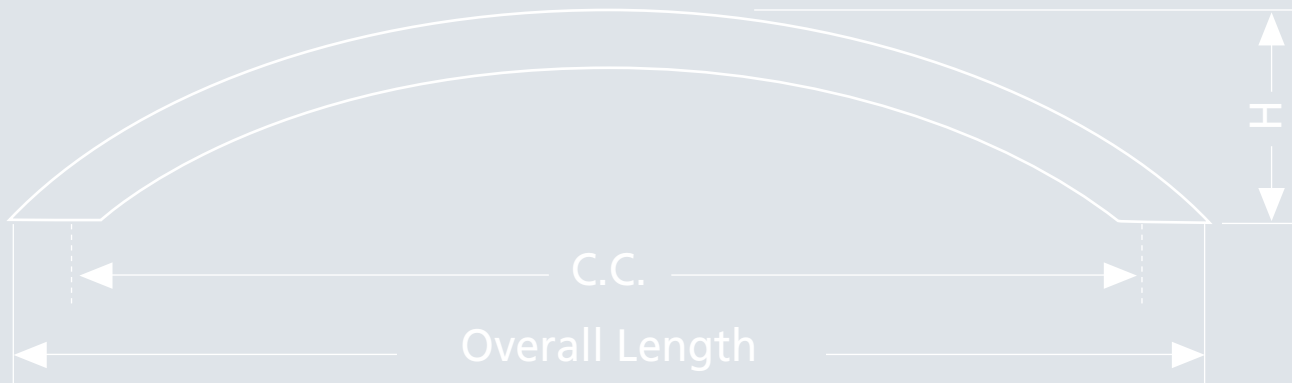
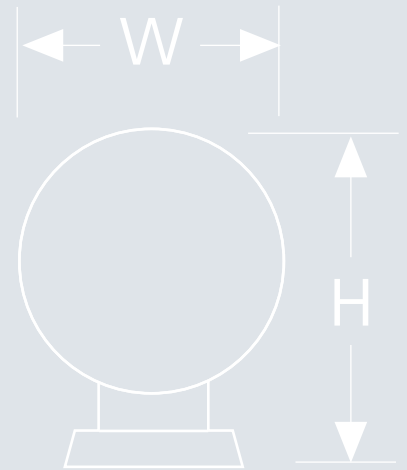
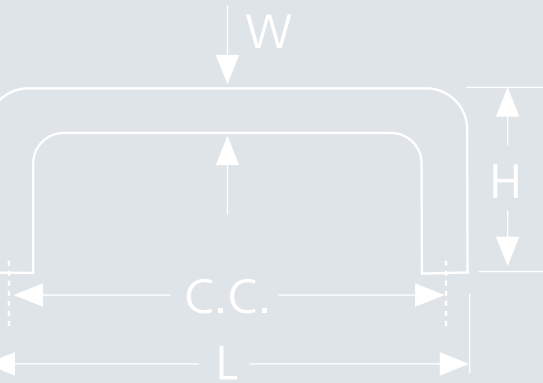
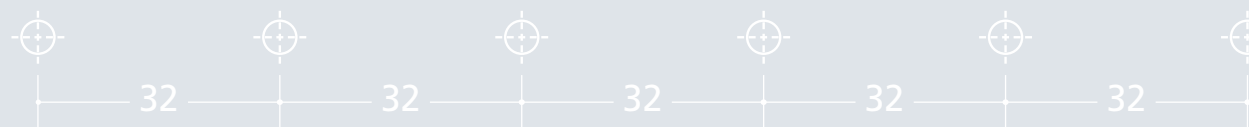
Installation instructions for Versalift online:



catalog.usfutaba.com/Versalift

Set of a VERSALIFT includes

- ▶ Remote control (RF)
- ▶ Manual push switch
- ▶ Plug and play assembly
- ▶ Universal TV mounting bracket

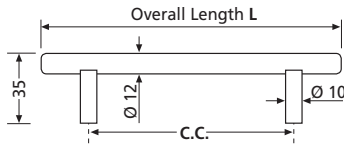


Steel Bar Pull



Features

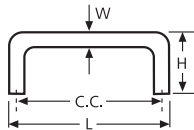
- ▶▶ Steel
- ▶▶ Threading: USA 8/32 standard
- ▶▶ Bar diameter: 12 mm
- ▶▶ Base/Post diameter: 10 mm
- ▶▶ Overall height: 35 mm



Finish: Chrome				
Item Number	Overall Length L		Center to Center C.C.	
	Inch	mm	Inch	mm
81139 46 301	2	50.8	0	0
81139 46 302	6	152.4	3-25/32	96
81139 46 303	6	152.4	3	76.2
81139 46 304	8	203.2	5	127
81139 46 305	10	254	7	177.8
81139 46 306	12	304.8	9	228.6
81139 46 307*	14	355.6	11	279.4
81139 46 308*	16	406.4	13	330.2
81139 46 309*	18	457.2	15	381
81139 46 310*	20	508	17	431.8
81139 46 311*	22	558.8	19	482.6
81139 46 312*	24	609.6	21	533.4
81139 46 313*	26	680.4	23	584.2
81139 46 314*	28	711.2	25	635
81139 46 315*	30	762	27	685.8

Finish: Satin Nickel				
Item Number	Overall Length L		Center to Center C.C.	
	Inch	mm	Inch	mm
81139 59 321	2	50.8	0	0
81139 59 322	6	152.4	3-25/32	96
81139 59 323	6	152.4	3	76.2
81139 59 324	8	203.2	5	127
81139 59 325	10	254	7	177.8
81139 59 326	12	304.8	9	228.6
81139 59 327	14	355.6	11	279.4
81139 59 328	16	406.4	13	330.2
81139 59 329	18	457.2	15	381
81139 59 330	20	508	17	431.8
81139 59 331	22	558.8	19	482.6
81139 59 332	24	609.6	21	533.4
81139 59 333	26	680.4	23	584.2
81139 59 334	28	711.2	25	635
81139 59 335	30	762	27	685.8

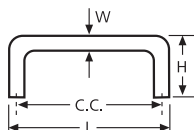
Steel Arch Pull



Finish	C.C. (Hole distance center to center)									
	3-3/4" (96 mm)		5" (127 mm)		6-5/16" (160 mm)		8-13/16" (224 mm)		11-3/8" (288 mm)	
Satin Chrome	81139 60 103	81139 60 087	81139 60 094*						81139 60 101*	
Satin Nickel	81139 59 104	81139 59 088	81139 59 095	81139 59 099*						
Matte Black	81139 51 105	81139 51 089	81139 51 096	81139 51 100*						
Polished Brass	81139 55 106*	81139 55 090*								
Polished Chrome	81139 46 107*	81139 46 091	81139 46 097*						81139 46 102*	
Black Nickel		81139 44 092*								
White		81139 29 093*								

Dimensions	Inch	mm	Inch	mm	Inch	mm	Inch	mm	Inch	mm
L (Length)	4-1/2	115	6	153	7-1/2	190	10-3/8	263	13-3/8	339
H (Height)	1-3/16	30	1-3/16	30	1-1/4	31	1-1/4	31	1-1/4	31
W (Width)	3/8	10	3/8	10	3/8	10	3/8	10	3/8	10

Steel D-Shape Wire Pull



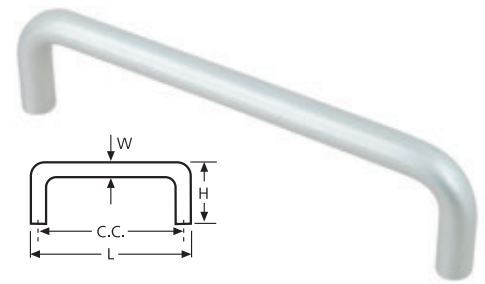
Finish	C.C. (Hole distance center to center)									
	3" (76 mm)		3-1/2" (89 mm)		3-3/4" (96 mm)		4" (102 mm)		5" (127 mm)	
White							81139 29 025			
Brushed Chrome	81139 67 029	81139 67 030	81139 67 031	81139 67 027	81139 67 028					
Matte Black	81139 51 033	81139 51 034	81139 51 035	81139 51 032						
Polished Brass	81139 55 037	81139 55 038	81139 55 039*	81139 55 036*						
Polished Chrome	81139 46 041	81139 46 042	81139 46 043	81139 46 040						

Dimensions	Inch	mm	Inch	mm	Inch	mm	Inch	mm	Inch	mm
L (Length)	3-5/16	84	3-13/16	97	4-1/16	104	4-1/4	109	5-5/16	135
H (Height)	1-1/4	31	1-1/4	31	1-1/4	31	1-1/4	31	1-1/4	31
W (Width)	5/16	8	5/16	8	5/16	8	5/16	8	5/16	8

* - Special Order Only - call for current pricing, minimum order quantity, and lead-time.

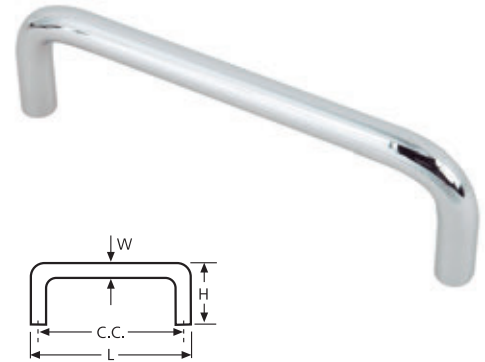
Aluminum D-Shape Wire Pull

Finish	C.C. (Hole distance center to center)									
	3" (76 mm)	3-1/2" (89 mm)	3-3/4" (96 mm)	4" (102 mm)	5" (127 mm)					
Aluminum	81139 65 124	81139 65 125	81139 65 126	81139 65 122	81139 65 012*					
Dimensions	Inch	mm	Inch	mm	Inch	mm	Inch	mm	Inch	mm
L (Length)	3-5/16	84	3-13/16	97	4-1/16	104	4-1/4	109	5-5/16	135
H (Height)	1-3/16	30	1-3/16	30	1-3/16	30	1-3/16	30	1-3/16	30
W (Width)	5/16	8	5/16	8	5/16	8	5/16	8	5/16	8



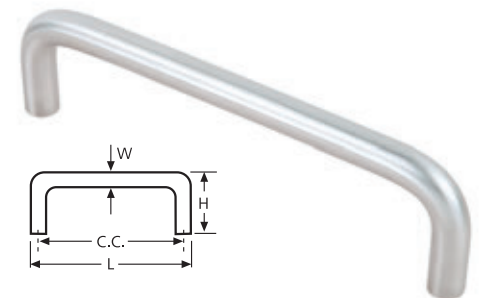
Solid Brass D-Shape Wire Pull

Finish	C.C. (Hole distance center to center)									
	3" (76 mm)	3-1/2" (89 mm)	3-3/4" (96 mm)	4" (102 mm)	5" (127 mm)					
Brushed Brass	81139 66 007*	81139 66 045	81139 66 046*	81139 66 044*						
Bushed Chrome	81139 67 049	81139 67 050*	81139 67 051	81139 67 047*	81139 67 048*					
Polished Brass	81139 55 053*	81139 55 054	81139 55 011*							
Polished Chrome			81139 46 056*	81139 46 055*						
Dimensions	Inch	mm	Inch	mm	Inch	mm	Inch	mm	Inch	mm
L (Length)	3-5/16	84	3-13/16	97	4-1/16	104	4-1/4	109	5-5/16	135
H (Height)	1-1/4	31	1-1/4	31	1-1/4	31	1-1/4	31	1-1/4	31
W (Width)	5/16	8	5/16	8	5/16	8	5/16	8	5/16	8



Stainless Steel D-Shape Wire Pull

Finish	C.C. (Hole distance center to center)											
	3" (76 mm)	3-1/2" (89 mm)	3-3/4" (96 mm)	4" (102 mm)	5" (127 mm)	6" (152 mm)						
Stainless Steel	81139 65 061	81139 65 062	81139 65 063	81139 65 058	81139 65 059	81139 65 060						
Dimensions	Inch	mm	Inch	mm	Inch	mm	Inch	mm	Inch	mm	Inch	mm
L (Length)	3-5/16	84	3-13/16	97	4-1/16	104	4-1/4	109	5-5/16	135	6-5/16	160
H (Height)	1-3/16	30	1-3/16	30	1-3/16	30	1-3/16	30	1-3/16	30	1-3/16	30
W (Width)	5/16	8	5/16	8	5/16	8	5/16	8	5/16	8	5/16	8



* – Special Order Only – call for current pricing, minimum order quantity, and lead-time.

Your source for information & services. Besides our complete Product Range we offer various information and services on our website for you. Here is an overview with direct links to the respective areas:

Online Catalog

Flip through this Catalog online and take advantage of the comfort features like searching, bookmarking, downloading etc.

» <http://catalog.usfutaba.com>



News Section

Be always up to date: find interesting reports, news and trends around the furniture industry in the news section of our website:

» <https://www.usfutaba.com/news/>



Find out more and be up to date:

» www.usfutaba.com

Conversion kg = lbs + oz.

kg	lbs	oz.
0.1	0	31/2
0.2	0	7
0.3	0	101/2
0.4	0	14
0.454	1	0
0.5	1	11/2
0.6	1	5
0.7	1	83/4
0.8	1	121/4
0.9	1	153/4
0.908	2	0
1.0	2	31/4
1.1	2	63/4
1.2	2	101/4
1.3	2	133/4
1.4	3	11/4
1.5	3	43/4
2.0	4	61/2
2.5	5	8
3.0	6	93/4
3.5	7	111/4
4.0	8	13
4.5	9	141/2
4.54	10	0
5.0	11	1/4
6.0	13	31/2
7.0	15	63/4
8.0	17	10
9.0	19	131/4
9.08	20	0
10	22	1/2
20	44	3/4
30	66	11/4
40	88	13/4
50	110	2

Get in contact with us!

We stand ready to be of service to you: Represented on both coasts and available 12 hours a day, we are a business partner you can rely on. Customer Service means more to us than just shipping merchandise.

We are available to answer your technical questions and encourage your input from the field. U.S. Futaba, Inc. is very interested in how we can help you develop a larger market share with quality products that your customers demand. Please let us know your ideas so we can help you build a stronger base and a solid future together.

Business Hours

From 8:00 a.m. to 5:00 p.m., Monday through Friday

West Coast Headquarters & Warehouse

2901 West Garry Ave. · Santa Ana, CA 92704
Phone (800) 821-4007 · Fax (714) 751-2366

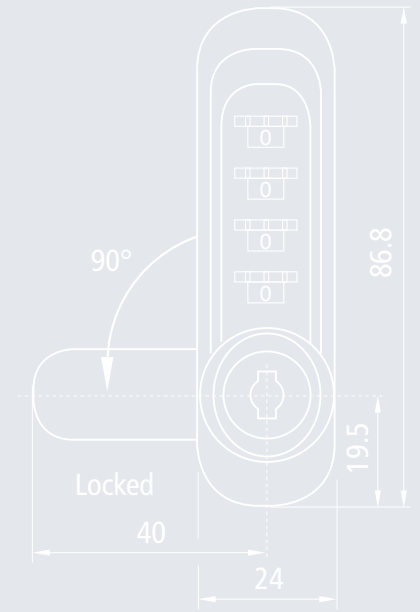
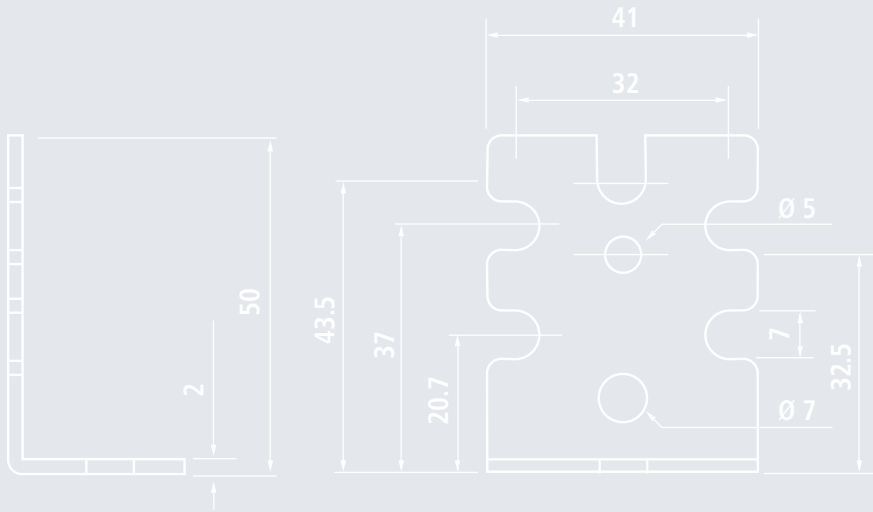
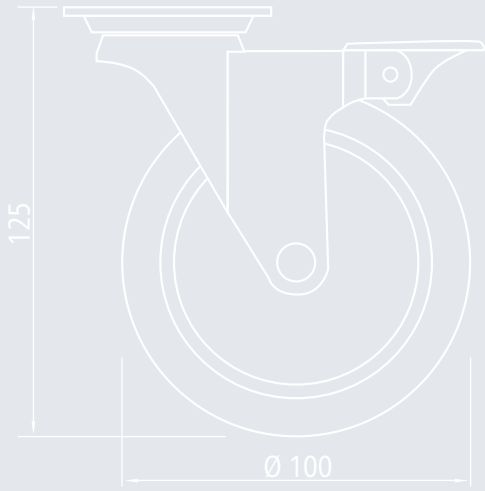
East Coast Branch

525 Byron Street, Suite C. · Chesapeake, VA 23320
Phone (877) 293-0584 · Fax (757) 549-9794

» email: sales@usfutaba.com

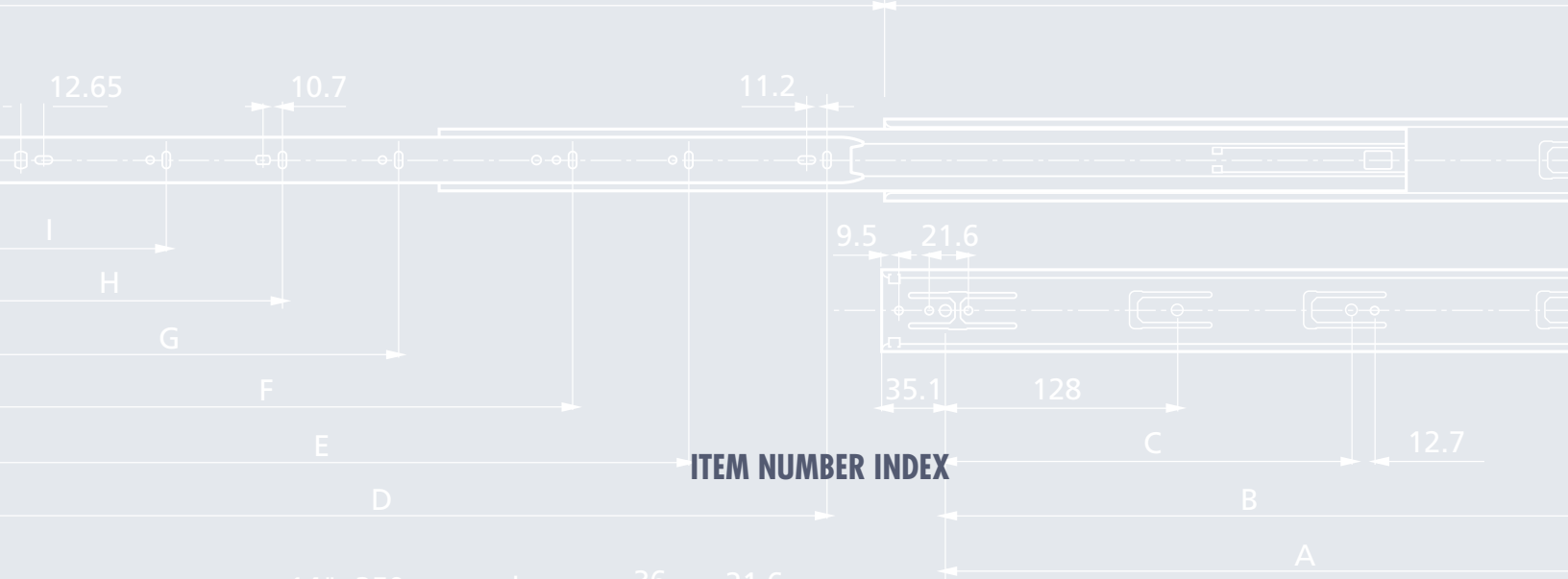
Conversion Inch - Millimeter

Fraction	Decimal	Millimeter
1/64	.015625	.39668
1/32	.03125	.79375
3/64	.046875	1.19063
1/16	.0625	1.58750
5/64	.078125	1.98438
3/32	.09375	2.38125
7/64	.109375	2.77813
1/8	.125	3.17500
9/64	.140625	3.57188
5/32	.15625	3.9687
11/64	.171875	4.36563
3/16	.1875	4.7625
13/64	.203125	5.15938
7/32	.21875	5.55625
15/64	.234375	5.95313
1/4	.250	6.3500
17/64	.265625	6.74688
9/32	.28125	7.14375
19/64	.296875	7.54063
5/16	.3125	7.93750
21/64	.328125	8.33438
11/32	.34375	8.73125
23/64	.359375	9.12813
3/8	.375	9.5250
25/64	.390625	9.92188
13/32	.40625	10.31875
27/64	.421875	10.71563
7/16	.4375	11.11250
29/64	.453125	11.50938
15/32	.46875	11.90625
31/64	.48375	12.30313
1/2	.500	12.700
33/64	.515625	13.09688
17/32	.53125	13.49375
35/64	.546875	13.89063
9/16	.5625	14.28750
37/64	.578125	14.68438
19/32	.59375	15.08125
39/64	.609375	15.47813
5/8	.625	15.87500
41/64	.640625	16.27188
21/32	.65625	16.66875
43/64	.671575	17.06563
11/16	.6875	17.46250
45/64	.703125	17.85938
23/32	.71875	18.25625
47/64	.734375	18.65312
3/4	.750	19.0500
49/64	.765625	19.44688
25/32	.78125	19.84375
51/64	.796875	20.24063
13/16	.8125	20.63750
53/64	.828125	21.03438
27/32	.84375	21.43125
55/64	.859375	21.8281
7/8	.875	22.22500
57/64	.890625	22.62188
29/32	.90625	23.01875
59/64	.921875	23.41563
15/16	.9375	23.81250
61/64	.953125	24.2093
31/32	.96875	24.60625
63/64	.984375	25.00313
1	1.000	25.4000



Travel

Length



ITEM NUMBER INDEX

Item Number	Page	Item Number	Page	Item Number	Page	Item Number	Page	Item Number	Page	Item Number	Page
09416 04 263	12	12945 02 201	22	16515 82 028	26	31211 52 079	60	33431 46 010	77	54113 46 013	48
09416 04 264	12	12945 02 202	22	16515 82 029	26	31211 52 080	60	33441 00 013	76	54113 47 054	51
09416 04 265	12	12945 02 203	22	17119 29 040	28	31211 52 081	60	33591 52 018	79	54113 48 091	51
09416 04 266	12	12945 02 204	22	17139 04 020	27	31211 52 082	60	33591 57 019	77	54113 49 084	51
09416 04 267	12	12945 02 205	22	17139 04 021	27	31211 52 083	60	33591 58 020	77	54113 51 055	51
10341 04 060	8	12945 02 206	22	17139 04 023	27	31211 52 084	60	33611 03 021	78	54113 53 085	51
10341 04 061	8	12945 02 211	24	17139 04 024	27	31211 52 085	60	33611 03 023	78	54131 46 094	50
10341 04 064	8	12945 02 212	24	17139 04 036	27	31211 52 086	60	33611 03 024	78	54131 46 094	55
10341 04 065	8	12945 02 213	24	17139 04 037	27	31211 52 087	60	33611 03 025	78	54131 47 047	52
10341 04 066	8	12945 02 214	24	17139 04 038	27	31211 52 088	60	33611 03 026	78	54131 47 047	53
10341 04 067	8	12945 02 215	24	17139 04 039	27	31211 52 089	60	33611 03 027	78	54131 47 047	55
10341 04 068*	8	13159 02 270	23	17139 29 022	27	31211 52 090	60	33611 03 031	78	54131 48 095	52
10415 56 174	10	13159 02 270	25	17139 29 027	27	31211 52 091	60	33611 03 032	78	54131 48 095	53
10415 56 175	10	13159 02 271	19	17339 29 005	27	31211 52 092	60	33611 03 033	78	54131 48 095	55
10415 56 176	10	13159 05 082	18	24111 01 001	37	31211 52 243	60	33611 03 034	78	54131 49 083	52
10415 56 177	10	13159 05 086	18	24111 01 003*	37	31211 52 243	77	33911 03 754*	78	54131 49 083	53
10415 56 178	10	13159 05 098	18	24111 12 053	35	31211 57 108	60	33991 12 035	77	54131 49 083	55
10416 04 116	9	13220 12 280	23	24111 41 006*	30	31211 57 109	60	40141 85 206	44	54131 51 048	52
10416 04 117	9	13220 19 281	23	24111 44 013*	30	31211 57 110	60	40265 41 060	95	54131 51 048	53
10416 04 118	9	13220 19 282	23	24111 52 007	30	31211 57 111	60	40265 41 070	95	54131 51 048	55
10416 04 119	9	13220 19 286	25	24111 55 011*	30	31211 57 112	60	40265 42 061	95	54131 53 090	52
10416 04 120	9	13220 19 287	25	24111 56 045	31	31211 57 113	60	40265 42 071	95	54131 53 090	53
10416 04 121	9	14923 82 000	28	24111 56 064	31	31211 57 114	60	40265 51 063	95	54131 53 090	55
10416 04 122	9	14923 82 001	28	24111 59 071	34	31211 57 115	60	40265 51 073	95	54133 46 017	49
10416 04 123	9	14923 82 002	28	24111 62 049	31	31211 57 116	60	40265 56 062	95	54133 46 018	49
10416 04 124	9	14923 82 003	28	24111 62 065	31	31211 57 117	60	40265 56 072	95	54133 46 019	49
10416 04 125	9	14923 82 004	28	24111 75 010	32	31211 57 118	60	40321 46 057	45	54133 46 019	50
11351 04 060	17	14923 82 005	28	24113 04 017	34	31211 57 119	60	40324 46 196	46	54133 46 021	50
11416 04 011	11	14923 82 006	28	24113 66 019	35	31211 57 120	60	40324 46 197	46	54133 46 021	55
11416 04 012	11	14923 82 007	28	24113 82 020	35	31211 57 121	60	53111 46 001	48	54133 46 098	50
11416 04 013	11	14923 82 008 ^(D)	28	24131 55 021	33	31211 57 122	60	53111 46 003	48	54133 47 043	52
11416 04 014	11	14923 82 009 ^(D)	28	24131 55 022	33	31211 57 123	60	53231 46 005	49	54133 47 043	55
11416 04 015	11	15921 82 001	28	24131 55 023	33	31211 58 139	60	53231 46 007	49	54133 48 104	52
11416 04 016	11	15921 82 002	28	24131 55 024	33	31211 58 140	60	53231 46 009	49	54133 48 104	55
11416 04 017	11	15921 82 003	28	24131 55 025	33	31211 58 141	60	53231 46 010	49	54133 49 097	52
11416 04 018	11	15921 82 004	28	24311 01 029	37	31211 58 142	60	53231 46 011	49	54133 49 097	55
11416 04 019	11	15921 82 005	28	24311 01 030	36	31211 58 143	60	53231 46 012	49	54133 51 044	52
11416 04 020	11	15921 82 006	28	24311 01 031	37	31211 58 144	60	53315 47 019	51	54133 51 044	55
11517 04 150	16	15921 82 007	28	24311 01 062	36	31211 58 145	60	53315 48 020	51	54133 53 077	52
11517 04 151	16	15921 82 008	28	24311 46 035	37	31211 58 146	60	53315 49 021	51	54133 53 077	55
11517 04 152	16	15921 82 100	28	24311 46 036	36	31211 58 147	60	53315 51 018	51	54215 46 079	48
11517 04 153	16	15921 82 101	28	24311 46 037	37	31211 58 148	60	53315 53 022	51	54215 47 002	51
11517 04 154	16	15921 82 102	28	24311 46 057	36	31211 58 149	60	53431 46 006	50	54215 48 001	51
11517 04 155	16	15921 82 103	28	24311 55 040	36	31211 58 150	60	53431 46 008	50	54215 49 003	51
11517 04 156	16	15921 82 104	28	24311 55 042	37	31211 58 151	60	53431 46 014	50	54215 51 004	51
11517 04 157	16	15921 82 105	28	24311 55 043	36	31211 58 152	60	53431 46 015	50	54215 53 092	51
11517 04 158	16	15921 82 106	28	24311 55 044	37	31211 58 153	60	53431 46 017	50	54221 47 111	54
11517 04 159	16	15921 82 107	28	24331 01 048	36	31211 58 154	60	53431 46 030	50	54221 48 112	54
11517 04 160	16	16313 82 001	26	24331 01 050	36	31411 13 242	60	53431 46 031	50	54221 49 113	54
11517 04 161	16	16313 82 002	26	24331 46 055	36	31411 13 242	77	53431 46 032	50	54221 51 114	54
12415 04 116	13	16313 82 003	26	24331 46 056	36	31511 25 781	60	53431 46 033	50	54221 53 115	54
12415 04 117	13	16313 82 004	26	24331 55 058	36	31511 25 781	77	53431 46 034	50	54223 47 120	54
12415 04 118	13	16313 82 005	26	24331 55 059 ^(D)	36	32141 52 088	68	53431 46 035	50	54223 48 121	54
12415 04 119	13	16313 82 006	26	30111 52 000	64	32141 52 089	67	53431 46 036	50	54223 49 122	54
12415 04 120	13	16315 82 007	26	30111 52 021	66	32711 52 117	75	53435 47 024	52	54223 51 123	54
12415 04 121	13	16315 82 008	26	30111 52 023	64	32711 52 118	74	53435 48 025	52	54223 53 124	54
12415 04 122	13	16315 82 009	26	30111 52 024	64	32811 58 114*	69	53435 49 026	52	54231 46 089	50
12415 04 123	13	16315 82 010	26	30111 57 002	64	32811 58 115	70	53435 51 023	52	54231 46 089	55
12415 04 124	13	16315 82 011	26	30111 58 003	64	32811 58 116	71	53435 53 027	52	54231 47 039	52
12415 04 125	14	16413 82 012	26	30111 58 022*	66	32911 00 112	79	53525 47 051	54	54231 47 039	55
12415 04 126	14	16413 82 013	26	30121 52 005	65	32911 58 113	79	53525 48 052	54	54231 47 116	53
12415 04 127	14	16413 82 014	26	30121 57 006	65	32991 59 109	72	53525 49 053	54	54231 48 093	52
12415 04 128	14	16413 82 015	26	30121 58 007	65	32991 59 110	73	53525 51 054	54	54231 48 093	55
12415 04 129	14	16413 82 016	26	30131 52 008	61	33111 04 040	79	53525 53 055	54	54231 48 117	53
12415 04 130	14	16415 82 017	26	30131 57 010	61	33141 04 012	76	53635 47 060	53	54231 49 076	52
12415 04 131	14	16415 82 018	26	30131 58 011	61	33221 00 007	79	53635 48 061	53	54231 49 076	55
12415 04 132	14	16415 82 019	26	30231 52 012	61	33241 00 014	76	53635 49 062	53	54231 49 118	53
12415 04 133	14	16415 82 020	26	30231 52 014	62	33241 04 015	76	53635 51 063	53	54231 51 040	52
12415 04 134	14	16415 82 027	26	30231 52 015	63	33341 00 004	76	53635 53 064	53	54231 51 040	55
12516 04 149	15	16513 82 021	26	30231 57 016	61	33341 03 759	76	54111 46 068	48	54231 51 119	53
12516 04 163	15	16513 82 022 ^(D)	26	30231 57 017	62	33341 40 016	76	54111 47 051	51	54231 53 096	52
12516 04 164	15	16513 82 023	26	30231 58 018	61	33341 40 766	76	54111 48 078	51	54231 53 096	55
12516 04 165*	15	16513 82 024	26	30231 58 019	62	33411 04 760	77	54111 49 086	51	54231 53 120	53
12516 04 166*	15	16513 82 025	26	31211 52 077	60	33431 03 009	77	54111 51 052	51	54233 46 026	49
12516 04 167*	15	16515 82 027	26	31211 52 078	60	33431 46 008	77	54111 53 087	51	54233 46 027	50

Item Number	Page
77919 51 113	101
77919 51 117	101
77919 53 103	102
77919 53 111	101
77919 53 114	101
77919 53 118	101
77919 56 102	102
77919 56 112	101
77919 56 115	101
77919 56 119	101
81139 29 025	132
81139 29 093*	132
81139 44 092*	132
81139 46 040	132
81139 46 041	132
81139 46 042	132
81139 46 043	133
81139 46 055*	133
81139 46 056*	133
81139 46 091	132
81139 46 097*	132
81139 46 102*	132
81139 46 107*	132
81139 46 301	132
81139 46 302	132
81139 46 303	132
81139 46 304	132
81139 46 305	132
81139 46 306	132
81139 46 307*	132
81139 46 308*	132
81139 46 309*	132
81139 46 310*	132
81139 46 311*	132
81139 46 312*	132
81139 46 313*	132
81139 46 314*	132
81139 46 315*	132
81139 51 032	132
81139 51 033	132
81139 51 034	132
81139 51 035	132
81139 51 089	132
81139 51 096	132
81139 51 100*	132
81139 51 105	132
81139 55 011*	133
81139 55 036*	132
81139 55 037	132
81139 55 038	132
81139 55 039*	132
81139 55 053*	133
81139 55 054	133
81139 55 090*	132
81139 55 106*	132
81139 59 088	132
81139 59 095	132
81139 59 099*	132
81139 59 104	132
81139 59 321	132
81139 59 322	132
81139 59 323	132
81139 59 324	132
81139 59 325	132
81139 59 326	132
81139 59 327	132
81139 59 328	132
81139 59 329	132
81139 59 330	132
81139 59 331	132
81139 59 332	132
81139 59 333	132
81139 59 334	132
81139 59 335	132
81139 60 087	132

Item Number	Page
81139 60 094*	132
81139 60 101*	132
81139 60 103	132
81139 65 012*	133
81139 65 058	133
81139 65 059	133
81139 65 060	133
81139 65 061	133
81139 65 062	133
81139 65 063	133
81139 65 122	133
81139 65 124	133
81139 65 125	133
81139 65 126	133
81139 66 007*	133
81139 66 044*	133
81139 66 045	133
81139 66 046*	133
81139 67 027	132
81139 67 028	132
81139 67 029	132
81139 67 030	132
81139 67 031	132
81139 67 047*	133
81139 67 048*	133
81139 67 049	133
81139 67 050*	133
81139 67 051	133
91939 00 077	27
91999 00 075*	27
91999 00 076	27
91999 00 079	27
91999 00 080	27



SOURCING THE WORLD SINCE 1983

Get in contact with us!

We stand ready to be of service to you: Represented on both coasts and available 12 hours a day, we are a business partner you can rely on. Customer Service means more to us than just shipping merchandise. We are available to answer your technical questions and encourage your input from the field. U.S. Futaba, Inc. is very interested in how we can help you develop a larger market share with quality products that your customers demand. Please let us know your ideas so we can help you build a stronger base and a solid future together.



» www.usfutaba.com

West Coast Office: Phone (800) 821-4007 · Fax (714) 751-2366

East Coast Office: Phone (877) 293-0584 · Fax (757) 549-9794

e-mail: sales@usfutaba.com

Business Hours: From 8:00 a.m. to 5:00 p.m., Monday through Friday

News Section

Be always up to date: find interesting reports, news and trends around the furniture industry in the news section of our website: » www.usfutaba.com/news/

