

CONCEALED ADJUSTABLE HINGES & LOCKS



CEAM®

PMI
PETER MEIER INC



CONCEALED HINGES

CEAM® Hinges are available at PMI for use in a variety of applications, including table tops, doorways, closets, storage areas and now cabinets!!

The **CEAM**® hinges come in a variety of finishes to complement any door. The perfect symmetry between the 2 sides of the hinge allows for a complete reversibility.

9 different models are available for you to choose from and are compatible with wooden, aluminum, and steel doors.

Look for the new **MAINTENANCEFREE** logo that showcases a range of improvements, such as a revamped design, simplified adjustments requiring just one tool, the integration of a Delrin Roller Bearing for inherent lubricity between hinge arms, and reinforced Cover Caps with an additional lip along the outer edge for a tighter fit.

CEAM® offers a minimum jamb width from 15mm to 29mm (Best in Class).

Tested for 200,000 opening cycles.


Fire rating available upon request.



CONCEALED & ADJUSTABLE HINGES



The **CEAM**® hinges have a 3 axes adjustability that makes it easy to do a final detailed calibration to the door position.

Look for the  to find more information about the hinge's 3D adjustability tolerance.

Elegant and minimalistic design with no visible screws

ROUTING TEMPLATES

Routing templates, inserts plates and accessories are offered to provide an fast and reliable installation.

Please call our customer service for more information: 800-222-6941

Remember that all of our **CEAM**® Concealed Hinges are 100%

made in italy

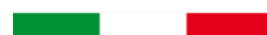















TABLE OF CONTENTS





4	1130SS 134 x 24 mm 2 Hinge Capacity = 121 lbs.	
6	1131 160 x 32 mm 2 Hinge Capacity = 176 lbs.	
8	1230 130 x 30 mm 2 Hinge Capacity = 121 lbs.	
10	1418 150 x 30 mm CLADDING up to 18mm 2 Hinge Capacity = 176 lbs.	 NEW
12	1430 128 x 22 mm 2 Hinge Capacity = 110 lbs.	
14	1431 180 x 32 mm 2 Hinge Capacity = 265 lbs.	
16	1432 230 x 32 mm 2 Hinge Capacity = 397 lbs.	
18	1432W 230 x 32 mm 2 Hinge Capacity = 353 lbs.	
20	1450 130 x 30 mm CLADDING up to 10mm 2 Hinge Capacity = 132 lbs.	 NEW

FINISHES AVAILABLE



22	929 76 x 14 mm 2 Hinge Capacity = 31 lbs.	
24	2010SS 89 x 25 mm 2 Hinge Capacity = 88 lbs.	
26	Routing Templates & Accessories	
28	Magnetic Door Locks Passage/Bathroom & Cylinder Styles	 NEW



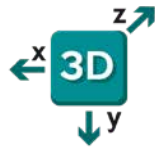
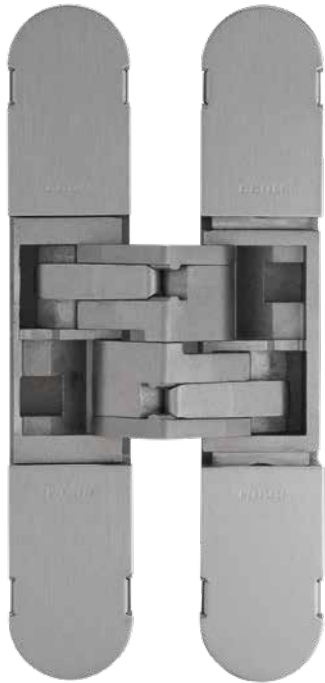
MODEL	TECHNOLOGY	MATERIAL	DIMENSION L - W - D mm / Inches	MINIMUM DOOR THICKNESS mm / Inches	RANGE OF REVERSIBILITY mm / Inches	LOAD CAPACITY kg / lbs		FIREPROOF min.
						2 hinge	3 hinge	
1130SS	Concealed Hinge	Stainless Steel	134.5 x 24 x 21 mm 5-5/16" x 15/16" x 13/16"	30 mm 1-3/16"	30 - 33 mm 1-3/16" - 1-5/16"	55 kg 121 lbs	70 kg 154 lbs	CE 
1131	Concealed Hinge	Zinc	160 x 32 x 29 mm 6-5/16" x 1-1/4" x 1-1/8"	38 mm 1-1/2"	38 - 46 mm 1-1/2" - 1-13/16"	80 kg 176 lbs	120 kg 265 lbs	CE  
1230	Concealed Hinge	Zinc	130 x 30 x 21 mm 5-1/8" x 1-3/16" x 13/16"	35 mm 1-3/8"	35 - 45 mm 1-3/8" - 1-3/4"	55 kg 121 lbs	70 kg 154 lbs	CE 
1418	Concealed Hinge	Zinc	150 x 30 mm 5-15/16" x 1-3/16"	35mm 1-3/8"	N/A	80 kg 176 lbs	100 kg 220 lbs	
1430	Concealed Hinge	Zinc	128 x 22 x 21 mm 5-1/16" x 7/8" x 13/16"	28 mm 1-1/8"	28 - 34 mm 1-1/8" - 1-5/16"	50 kg 110 lbs	65 kg 143 lbs	CE 
1431	Concealed Hinge	Zinc	180 x 32 x 29 mm 7-1/16" x 1-1/4" x 1-1/8"	38 mm 1-1/2"	38 - 45 mm 1-1/2" - 1-3/4"	120 kg 265 lbs	135 kg 298 lbs	CE 
1432	Concealed Hinge	Zinc and Aluminum	230 x 32 x 32 mm 9-1/16" x 1-1/4" x 1-1/4"	38 mm 1-1/2"	38 - 45 mm 1-1/2" - 1-3/4"	180 kg 397 lbs	215 kg 474 lbs	
1432W	Concealed Hinge	Zinc and Aluminum	230 x 32 x 32 mm 9-1/16" x 1-1/4" x 1-1/4"	38 mm 1-1/2"	N/A	160 kg 353 lbs	195 kg 430 lbs	
1450	Concealed Hinge	Zinc	130mm x 30mm 5-1/8" x 1-3/16"	35mm 1-3/8"	35 - 55mm 1-3/8" - 2-3/16"	60 kg 132 lbs	80kg 176 lbs	
929	Concealed Hinge	Zinc and Fiberglass	76 x 14 x 15 mm 3" x 9/16" x 5/8"	18 mm 11/16"	18 - 21 mm 11/16" - 13/16"	14 kg 31 lbs	18 kg 40 lbs	
2010SS	Concealed Hinge	Stainless Steel & Nylon	89 x 25 x 27.3 mm 3-1/2" x 1" x 1-1/16"	31 mm 1-1/4"	31 - 33 mm 1-1/4" - 1-5/16"	40 kg 88 lbs	60 kg 132 lbs	

Note: Manufacturing tolerance are based on metric dimensions.
Fractions are for reference only.

3D Invisible Hinge

1130SS

134 x 24 mm

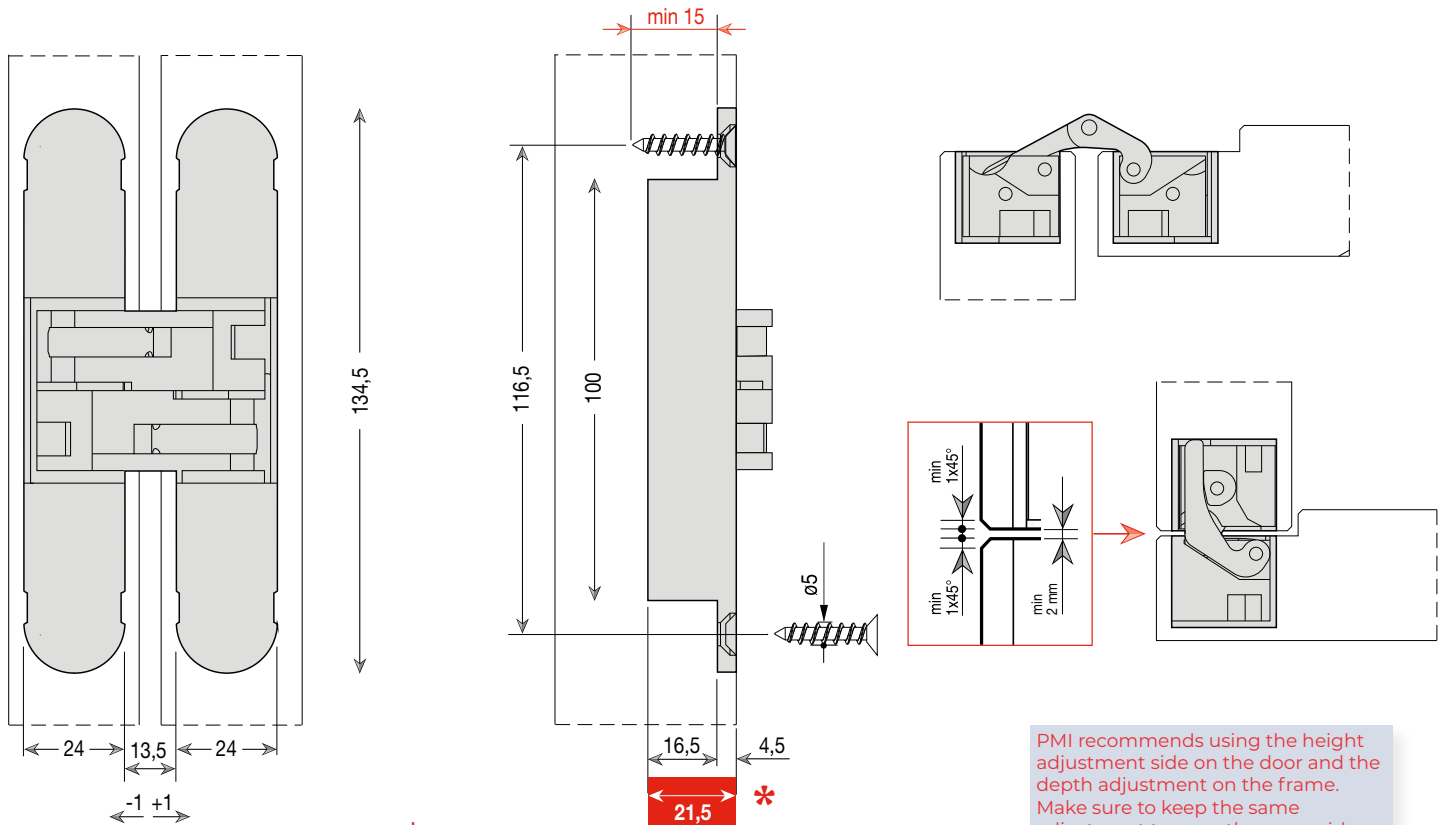


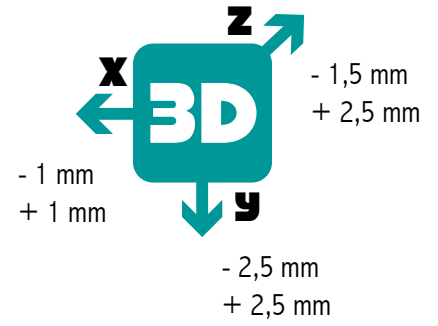
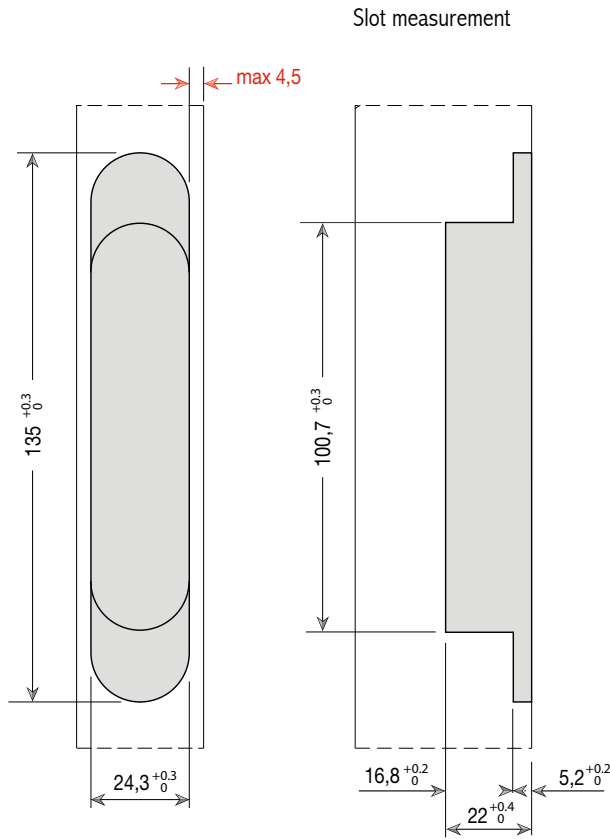
EN 1634-1
EI-30

- Manufactured from #304 Stainless Steel
- Suitable for doors of 30 mm min. thickness
- Total Length of 134 mm
- Only 21 mm of depth
- 3D adjustments
- Load capacity up to 154 lbs / 70 kg with 3 hinges
- Screws and instructions included

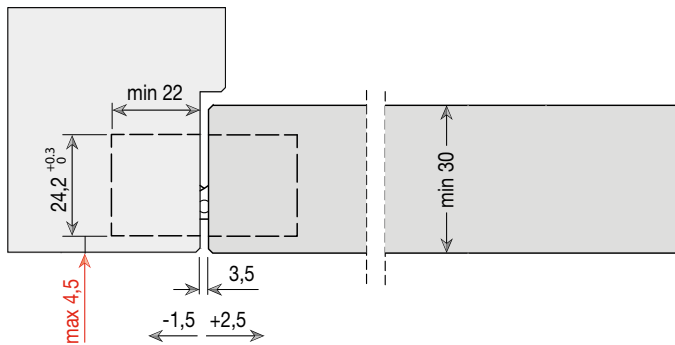
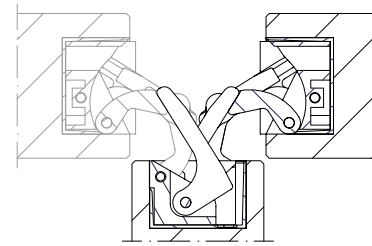


Item Number	Description	Packed
C1130SS	3D Invisible Hinge 134 x 24 mm Stainless Steel	3 / Box
C1130FIX	1130 Series Routing Fixture	1 / Box
C1130TEMP	1130 Series Inserts for Routing Fixtures	1 Set / Box





REVERSIBILITY
Reversible for doors from 30 mm to 33 mm thick



Door cross-section

1130SS HINGE LOAD CAPACITY CHART

DOOR HEIGHT (inches)	2 HINGE LOAD CAPACITY CHART (lbs)						
	27-9/16"	31-1/2"	35-7/16"	39-3/8"	43-5/16"	47-1/4"	51-3/16"
86-5/8"	121	121	121	119	101	90	82
82-11/16"	121	121	121	110	95	86	79
78-3/4"	121	121	121	101	90	82	75
74-13/16"	121	121	110	95	84	77	73

DOOR WIDTH (inches)

DOOR HEIGHT (inches)	3 HINGE LOAD CAPACITY CHART (lbs)							4 HINGES SUGGESTED
	27-9/16"	31-1/2"	35-7/16"	39-3/8"	43-5/16"	47-1/4"	51-3/16"	
118-1/8"	154	154	154	154	154	154	154	
114-3/16"	154	154	154	154	154	154	154	
110-1/4"	154	154	154	154	154	154	143	
106-5/16"	154	154	154	154	154	154	134	
102-3/8"	154	154	154	154	154	154	146	
98-7/16"	154	154	154	154	154	154	134	
94-1/2"	154	154	154	154	148	126	112	
90-9/16"	154	154	154	154	137	119	106	
86-5/8"	154	154	154	150	126	110	101	
82-11/16"	154	154	154	137	117	104	97	
78-3/4"	154	154	154	126	110	99	93	

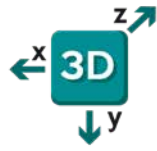
DOOR WIDTH (inches)

3D Invisible Hinge

1131
160 x 32 mm

MAINTENANCE**FREE**

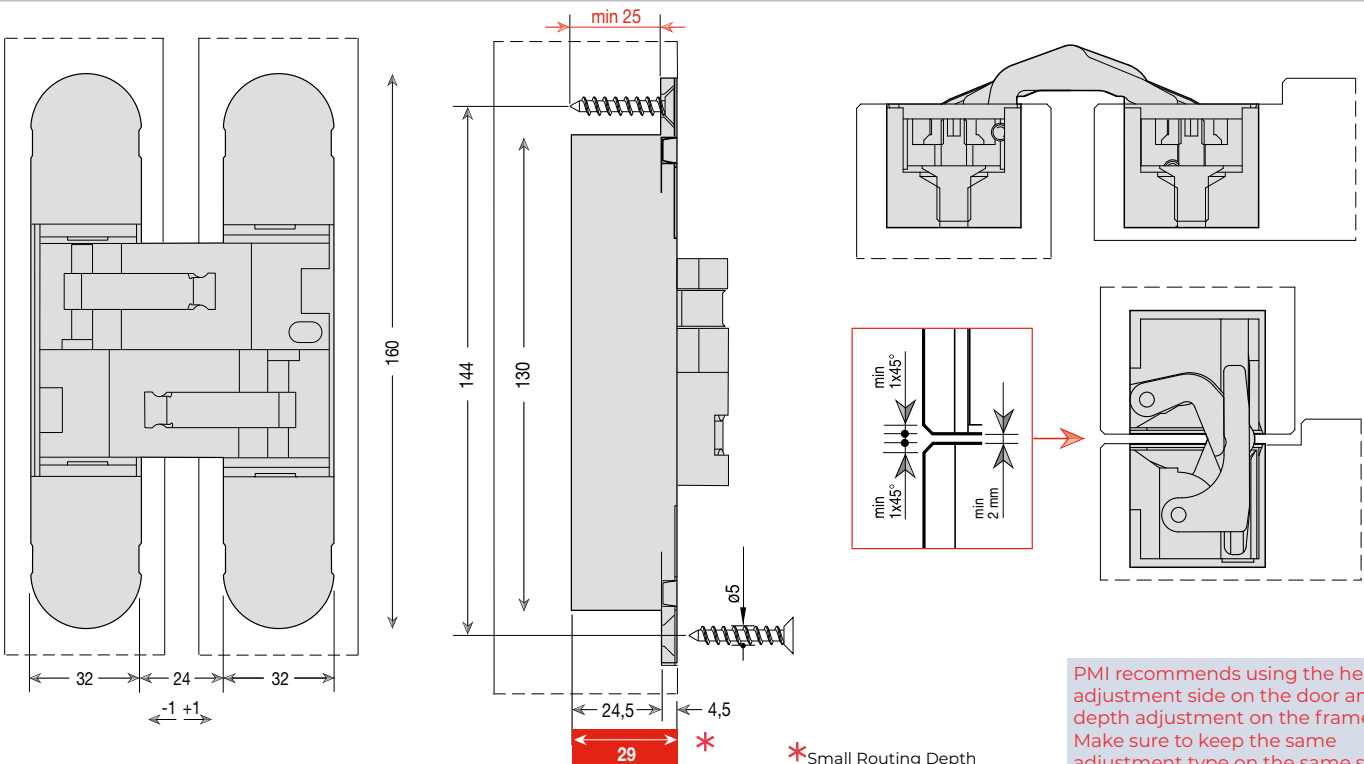
- Manufactured from Zinc
- Fire proof and UL Certified
- Suitable for doors of 38 mm min. thickness
- Total Length of 160 mm
- Only 29 mm of depth
- 3D adjustments
- Load capacity up to 265 lbs / 120 kg with 3 hinges
- Screws and instructions included



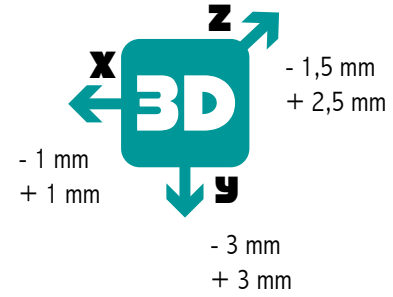
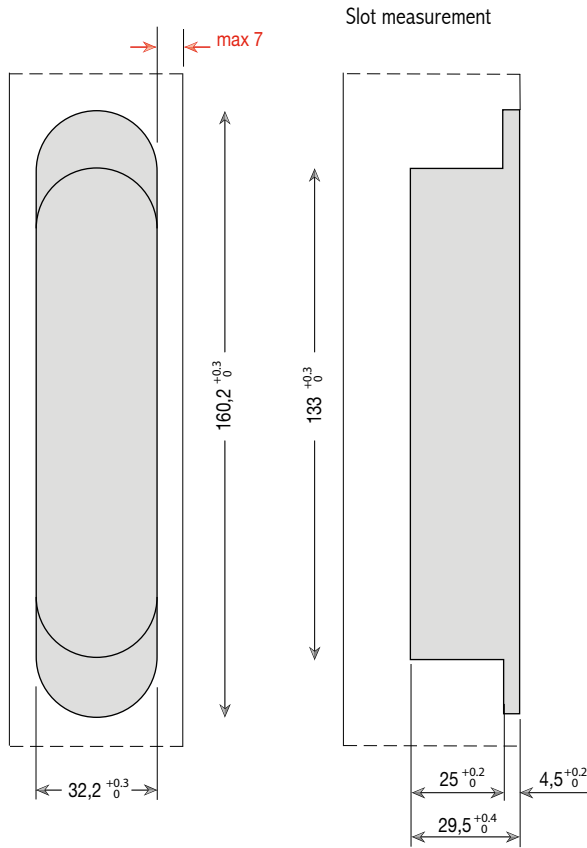
EN 1634-1
EI-120



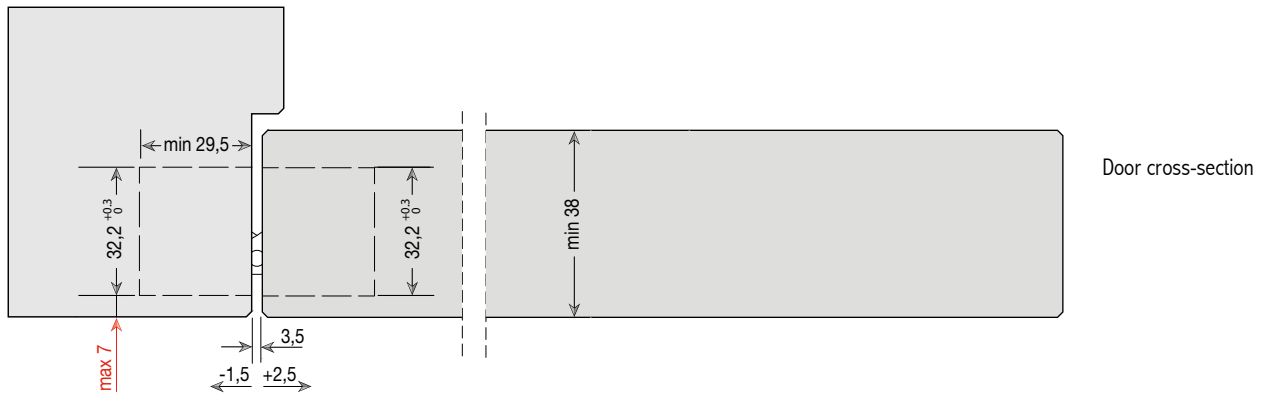
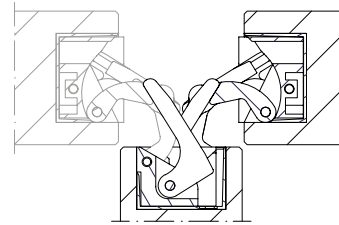
Item Number	Description	Packed
C1131SIL	3D Invisible Hinge 160 x 32 mm Silver Painted	3 / Box
C1131NK	3D Invisible Hinge 160 x 32 mm Nickel Plated	3 / Box
C1131SNI	3D Invisible Hinge 160 x 32 mm Satin Nickel Plated	3 / Box
C1131BBR	3D Invisible Hinge 160 x 32 mm Brushed Bronze	3 / Box
C1131BLK	3D Invisible Hinge 160 x 32 mm Matte Black Painted	3 / Box
C1131/1230FIX	1131 / 1230 Series Routing Fixture	1 / Box
C1131TEMP	1131 Series Inserts for Routing Fixtures	1 Set / Box
C1131FFP	1131 Series Frame Fixing Plate	1 / Box
C1131WFP	1131 Series Wall Fixing Plate	1 / Box



PMI recommends using the height adjustment side on the door and the depth adjustment on the frame. Make sure to keep the same adjustment type on the same side.



REVERSIBILITY
Reversible for doors from 38 mm to 46 mm thick



1131 HINGE LOAD CAPACITY CHART

2 HINGE LOAD CAPACITY CHART (lbs)

86-5/8"	176	176	176	172	146	130	119
82-11/16"	176	176	176	159	137	123	115
78-3/4"	176	176	176	146	128	117	108
74-13/16"	176	176	161	137	121	112	104

DOOR HEIGHT (inches)

27-9/16"	31-1/2"	35-7/16"	39-3/8"	43-5/16"	47-1/4"	51-3/16"
----------	---------	----------	---------	----------	---------	----------

DOOR WIDTH (inches)

3 HINGE LOAD CAPACITY CHART (lbs)

118-1/8"	265	265	265	265	265	265	265
114-3/16"	265	265	265	265	265	265	265
110-1/4"	265	265	265	265	265	265	247
106-5/16"	265	265	265	265	265	265	231
102-3/8"	265	265	265	265	265	251	216
98-7/16"	265	265	265	265	265	231	203
94-1/2"	265	265	265	265	254	216	192
90-9/16"	265	265	265	265	234	203	183
86-5/8"	265	265	265	258	216	190	172
82-11/16"	265	265	265	236	201	181	165
78-3/4"	265	265	265	216	187	170	157

DOOR HEIGHT (inches)

27-9/16"	31-1/2"	35-7/16"	39-3/8"	43-5/16"	47-1/4"	51-3/16"
----------	---------	----------	---------	----------	---------	----------

DOOR WIDTH (inches)

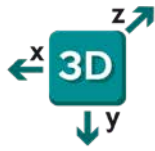
4 HINGES SUGGESTED

3D Invisible Hinge

1230
130 x 30 mm

MAINTENANCE**FREE**

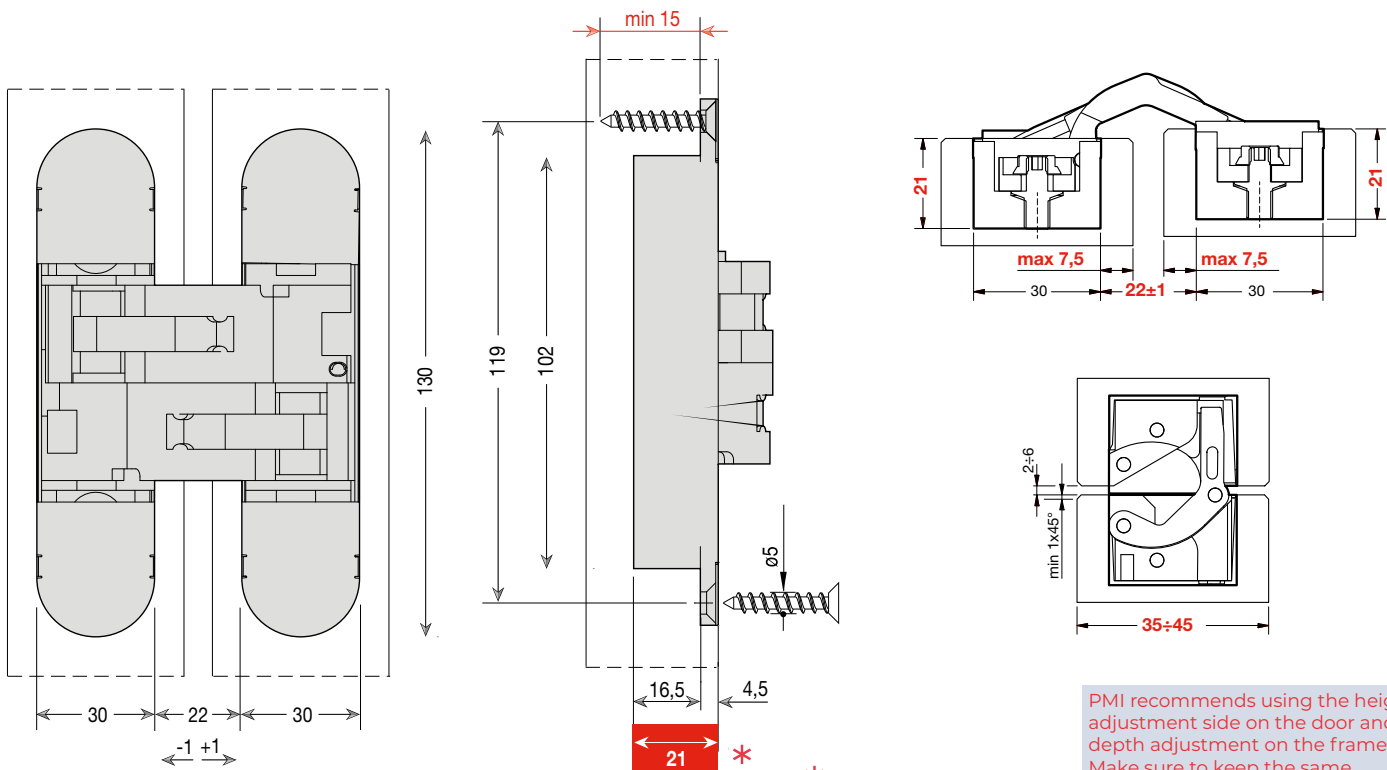
- Manufactured from Zinc
- Suitable for doors of 35 mm min. thickness
- Total length of 130 mm
- Only 21 mm of depth
- 3D adjustments
- Load capacity up to 154 lbs / 70 kg with 3 hinges
- Screws and instructions included



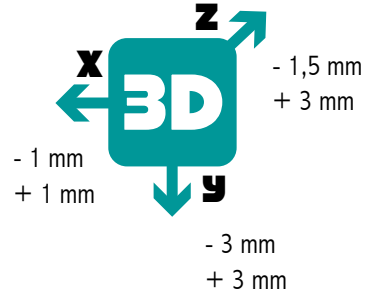
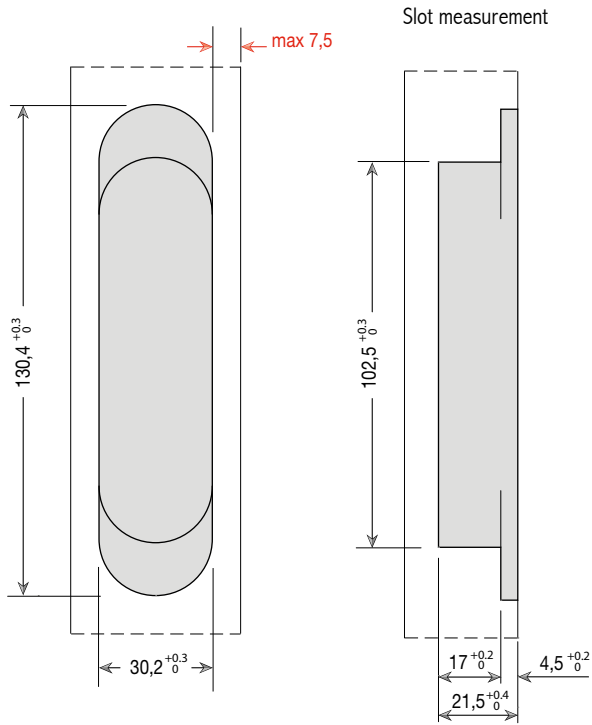
EN 1634-1
EI-30



Item Number	Description	Packed
C1230SIL	3D Invisible Hinge 130 x 30 mm Silver Painted	3 / Box
C1230NK	3D Invisible Hinge 130 x 30 mm Nickel Plated	3 / Box
C1230SNI	3D Invisible Hinge 130 x 30 mm Satin Nickel Plated	3 / Box
C1230BBR	3D Invisible Hinge 130 x 30 mm Brushed Bronze	3 / Box
C1230BLK	3D Invisible Hinge 130 x 30 mm Matte Black Painted	3 / Box
C1131/1230FIX	1131 / 1230 / Series Routing Fixture	1 / Box
C1230TEMP	1230 Series Inserts for Routing Fixtures	1 Set / Box
C1230FFP	1230 Series Frame Fixing Plate	1 / Box
C1230WFP	1230 Series Wall Fixing Plate	1 / Box

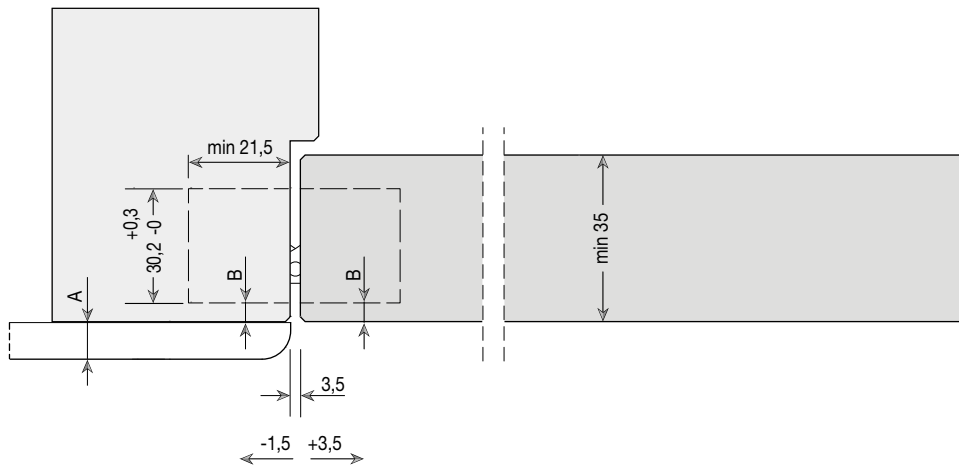
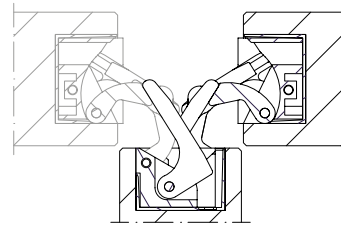


PMI recommends using the height adjustment side on the door and the depth adjustment on the frame. Make sure to keep the same adjustment type on the same side.



REVERSIBILITY

Reversible for doors from 35 mm to 45 mm thick



Door cross-section

A	B
15,5	2,5
14,5	3
13,5	3,5
12	4
10	4,5
8	5

1230 HINGE LOAD CAPACITY CHART

DOOR HEIGHT (inches)	2 HINGE LOAD CAPACITY CHART (lbs)										
	86-5/8"	82-11/16"	78-3/4"	74-13/16"	27-9/16"	31-1/2"	35-7/16"	39-3/8"	43-5/16"	47-1/4"	51-3/16"
86-5/8"	121	121	121	119	101	90	82				
82-11/16"	121	121	121	110	95	86	79				
78-3/4"	121	121	121	101	90	82	75				
74-13/16"	121	121	110	95	84	77	73				

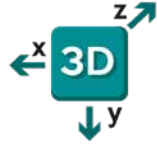
DOOR HEIGHT (inches)	3 HINGE LOAD CAPACITY CHART (lbs)							4 HINGES SUGGESTED			
	118-1/8"	114-3/16"	110-1/4"	106-5/16"	102-3/8"	98-7/16"	94-1/2"		90-9/16"	86-5/8"	82-11/16"
118-1/8"	154	154	154	154	154	154	154				
114-3/16"	154	154	154	154	154	154	154				
110-1/4"	154	154	154	154	154	154	154	143			
106-5/16"	154	154	154	154	154	154	154	134			
102-3/8"	154	154	154	154	154	154	146	126			
98-7/16"	154	154	154	154	154	154	134	119			
94-1/2"	154	154	154	154	148	126	112				
90-9/16"	154	154	154	154	137	119	106				
86-5/8"	154	154	154	150	126	110	101				
82-11/16"	154	154	154	137	117	104	97				
78-3/4"	154	154	154	126	110	99	93				

3D Invisible Hinge

1418
150 x 30 mm

MAINTENANCE**FREE**

- Manufactured from Zinc
- Allows to install cladding up to 18 mm thick
- Suitable for doors of 35 mm min. thickness
- Total length of 150 mm
- 3D adjustments
- Load capacity up to 220 lbs / 100 kg with 3 hinges
- Screws and instructions included

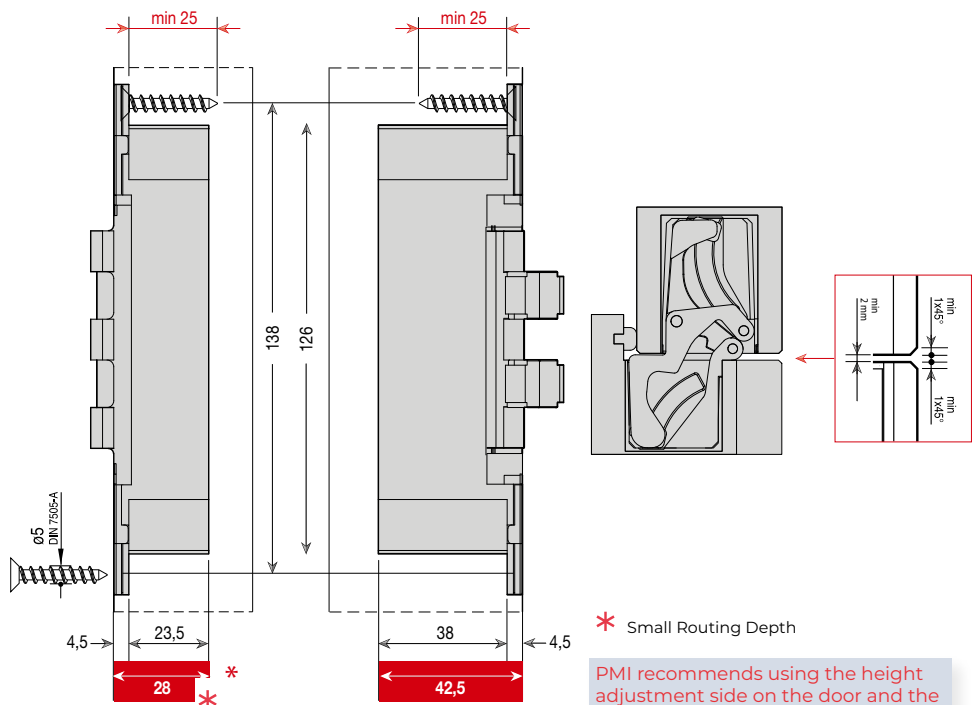
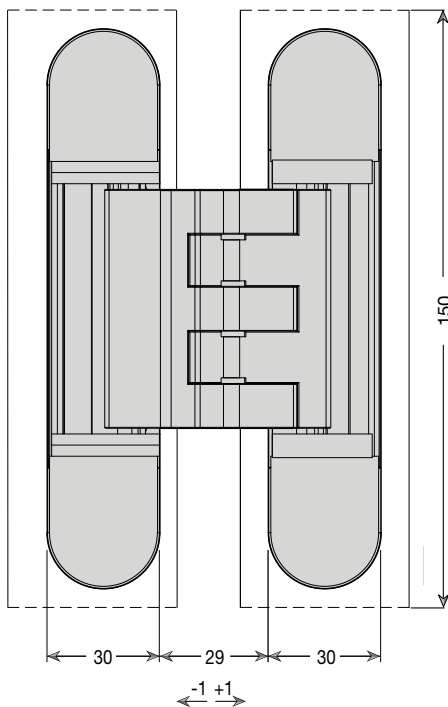


CLADDING
up to 18mm



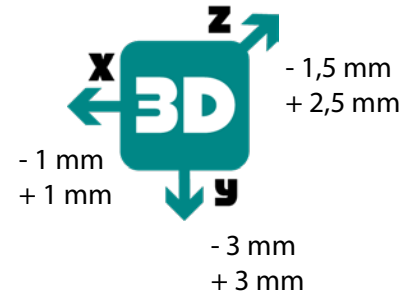
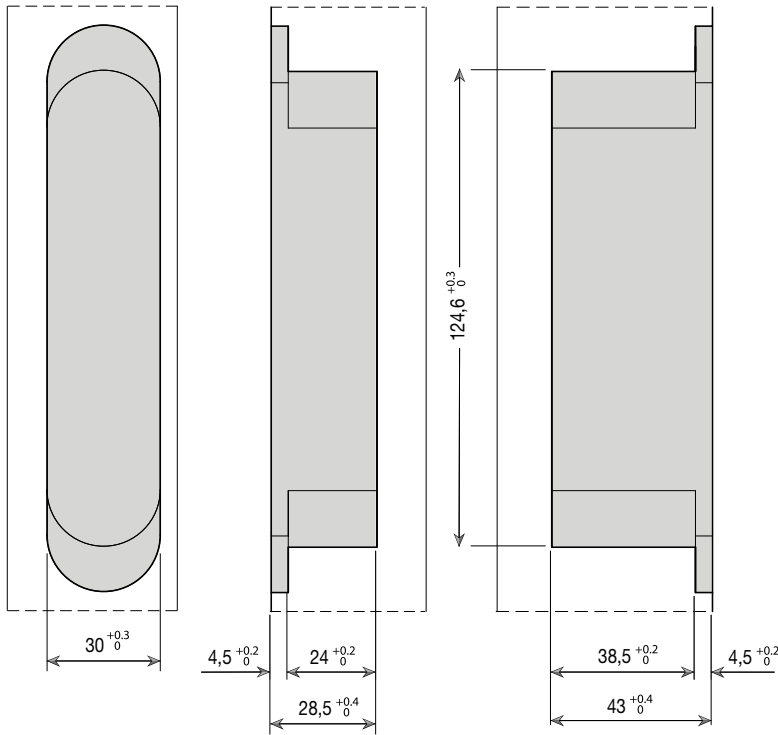
Item Number	Description	Packed
C1418SIL	3D Invisible Hinge 150 x 30 mm Silver Painted	3 / Box
C1418NK	3D Invisible Hinge 150 x 30 mm Nickel Plated	3 / Box
C1418SNI	3D Invisible Hinge 150 x 30 mm Satin Nickel Plated	3 / Box
C1418BLK	3D Invisible Hinge 150 x 30 mm Matte Black Painted	3 / Box
C1418BBR**	3D Invisible Hinge 150 x 30 mm Brushed Bronze	3 / Box
C1418FIX-TEMP	1418 Routing Fixture with Template Included	1 / Box

**Special order color / Item

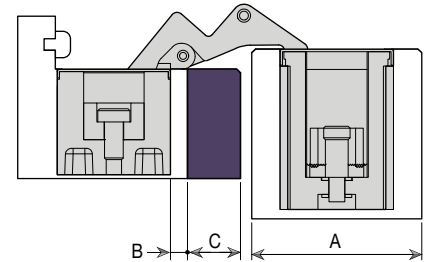
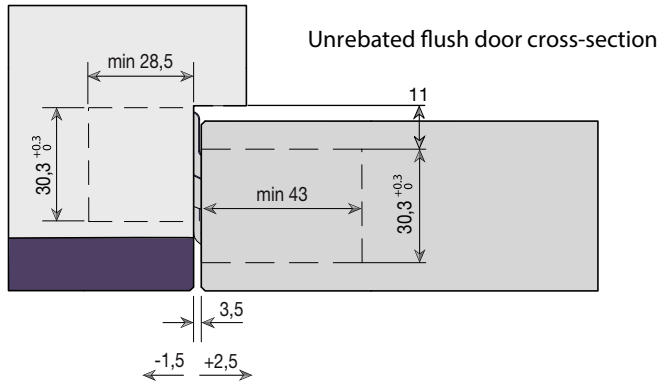


* Small Routing Depth

PMI recommends using the height adjustment side on the door and the depth adjustment on the frame. Make sure to keep the same adjustment type on the same side.



Slot measurement



A	B	C
45	4	14
44	4,5	14
40	6,5	12

1418 HINGE LOAD CAPACITY CHART

DOOR HEIGHT (inches)

2 HINGE LOAD CAPACITY CHART (lbs)							
86-5/8"	176	176	176	172	146	130	119
82-11/16"	176	176	176	159	137	123	115
78-3/4"	176	176	176	146	128	117	108
74-13/16"	176	176	161	137	121	112	104
	27-9/16"	31-1/2"	35-7/16"	39-3/8"	43-5/16"	47-1/4"	51-3/16"

DOOR WIDTH (inches)

DOOR HEIGHT (inches)

3 HINGE LOAD CAPACITY CHART (lbs)							
118-1/8"	220	220	220	220	220	220	220
114-3/16"	220	220	220	220	220	220	220
110-1/4"	220	220	220	220	220	220	207
106-5/16"	220	220	220	220	220	220	194
102-3/8"	220	220	220	220	220	209	181
98-7/16"	220	220	220	220	220	194	170
94-1/2"	220	220	220	220	214	181	161
90-9/16"	220	220	220	220	196	170	152
86-5/8"	220	220	220	216	181	159	146
82-11/16"	220	220	220	198	168	150	139
78-3/4"	220	220	220	181	159	143	132
	27-9/16"	31-1/2"	35-7/16"	39-3/8"	43-5/16"	47-1/4"	51-3/16"

DOOR WIDTH (inches)

4 HINGES SUGGESTED

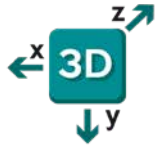
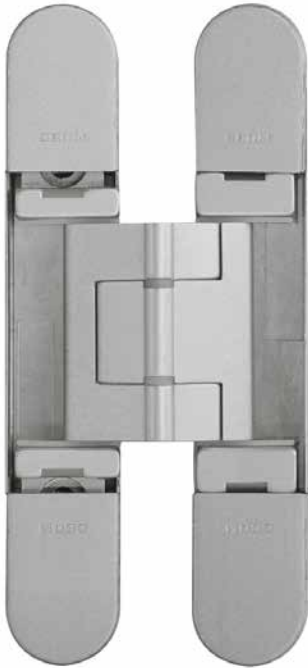
3D Invisible Hinge

1430

128 x 22 mm

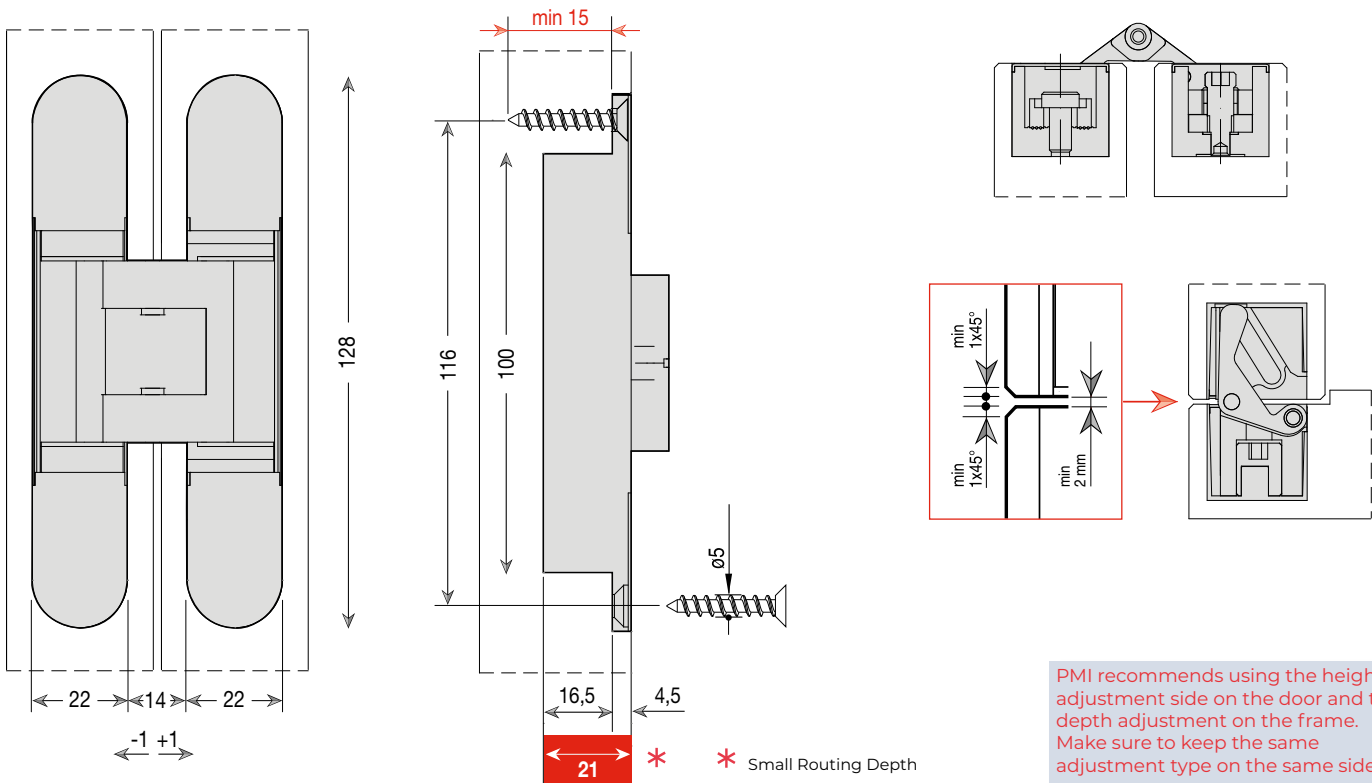
MAINTENANCE **FREE**

- Manufactured from Zinc
- Suitable for doors of 28 mm min. thickness
- Total Length of 128 mm
- Only 21 mm of depth
- 3D adjustments with one simple tool
- Load capacity up to 143 lbs / 65 kg with 3 hinges
- Screws and instructions included

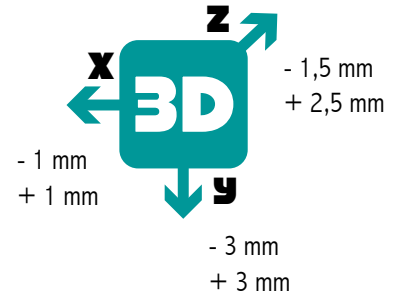
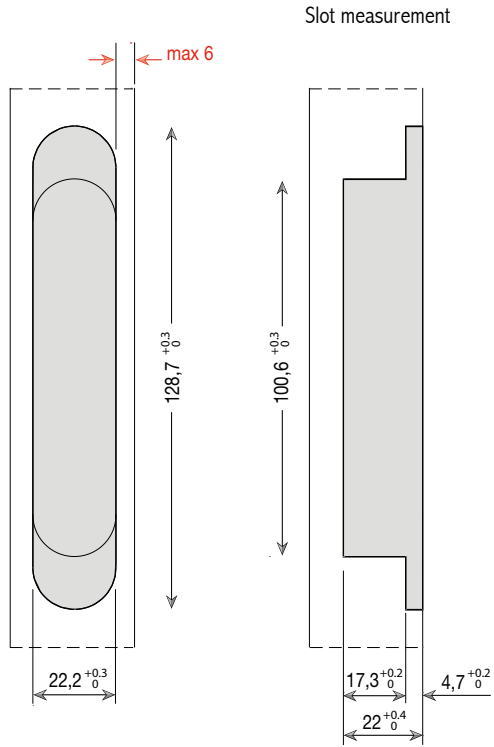


Item Number	Description	Packed
C1430SIL	3D Invisible Hinge 128 x 22 mm Silver Painted	3 / Box
C1430NK	3D Invisible Hinge 128 x 22 mm Nickel Plated	3 / Box
C1430BLK	3D Invisible Hinge 128 x 22 mm Matte Black Painted	3 / Box
C1430SNI**	3D Invisible Hinge 128 x 22 mm Satin Nickel Plated	3 / Box
C1430BBR**	3D Invisible Hinge 128 x 22 mm Brushed Bronze	3 / Box
C1130FIX	1430 Series Routing Fixture	1 / Box
C1430TEMP	1430 Series Inserts for Routing Fixtures	1 Set / Box

**Special order color / Item

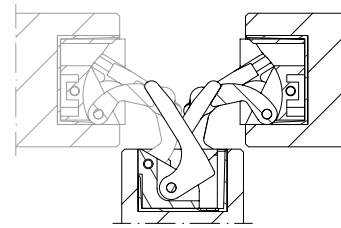


PMI recommends using the height adjustment side on the door and the depth adjustment on the frame. Make sure to keep the same adjustment type on the same side.

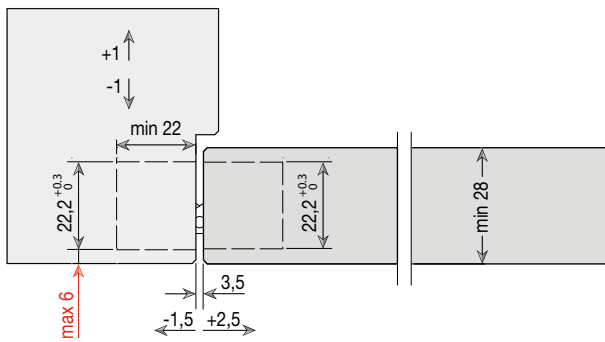


REVERSIBILITY

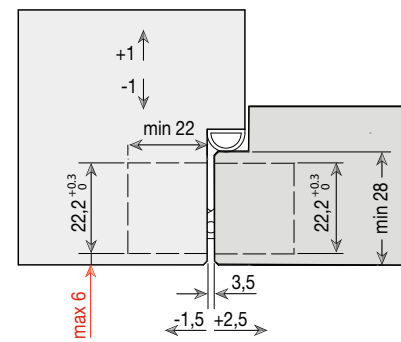
Reversible for doors from 28 mm to 34 mm thick



Unrebated flush door cross-section



Rebated flush door cross-section



1430 HINGE LOAD CAPACITY CHART

		2 HINGE LOAD CAPACITY CHART (lbs)						
DOOR HEIGHT (inches)	86-5/8"	110	110	110	108	90	82	75
	82-11/16"	110	110	110	99	86	77	71
	78-3/4"	110	110	110	90	79	73	68
	74-13/16"	110	110	99	84	75	71	64
		27-9/16"	31-1/2"	35-7/16"	39-3/8"	43-5/16"	47-1/4"	51-3/16"
		DOOR WIDTH (inches)						

		3 HINGE LOAD CAPACITY CHART (lbs)						
DOOR HEIGHT (inches)	118-1/8"	143	143	143	143	143	143	143
	114-3/16"	143	143	143	143	143	143	143
	110-1/4"	143	143	143	143	143	143	134
	106-5/16"	143	143	143	143	143	143	126
	102-3/8"	143	143	143	143	143	134	117
	98-7/16"	143	143	143	143	143	126	110
	94-1/2"	143	143	143	143	137	117	104
	90-9/16"	143	143	143	143	126	110	99
	86-5/8"	143	143	143	139	117	104	93
	82-11/16"	143	143	143	128	108	97	88
78-3/4"	143	143	143	117	101	93	86	
		27-9/16"	31-1/2"	35-7/16"	39-3/8"	43-5/16"	47-1/4"	51-3/16"
		DOOR WIDTH (inches)						

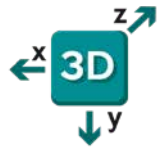
4 HINGES SUGGESTED

3D Invisible Hinge

1431
180 x 32 mm

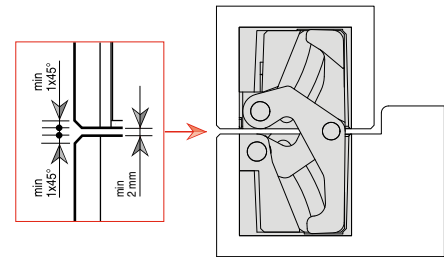
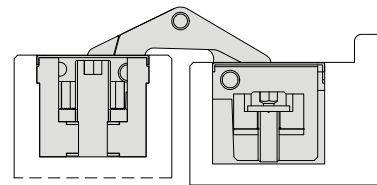
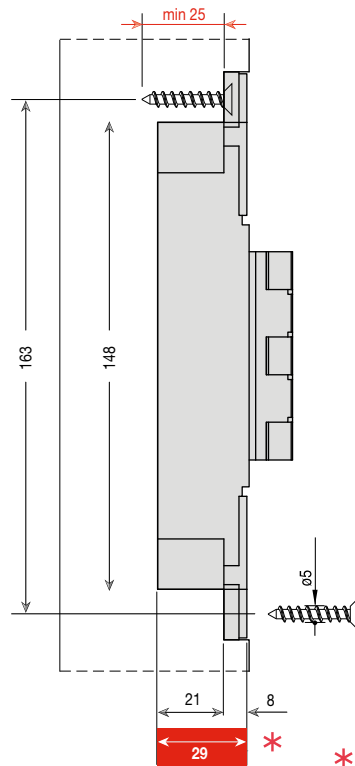
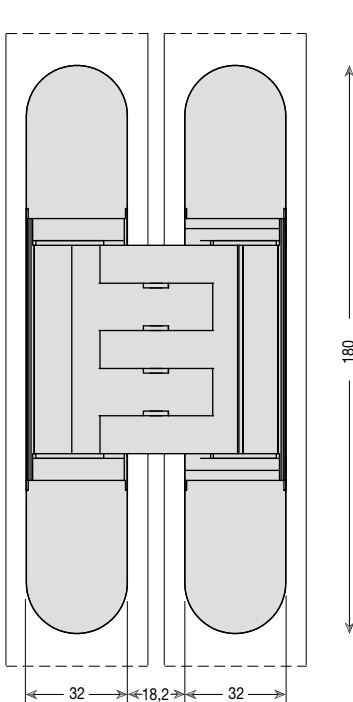
MAINTENANCE**FREE**

- Manufactured from Zinc
- Suitable for doors of 38 mm min. thickness
- Total Length of 180 mm
- Only 29 mm of depth
- 3D adjustments with one simple tool
- Load capacity up to 298 lbs / 135 kg with 3 hinges
- Screws and instructions included

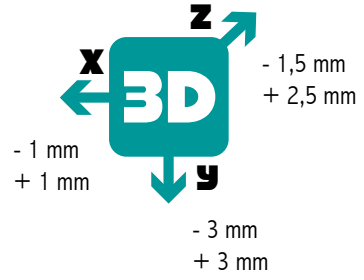
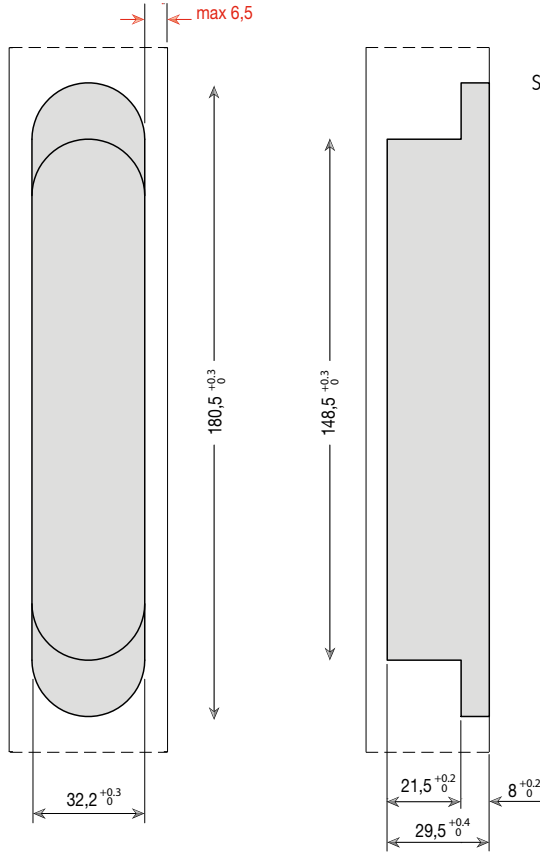


Item Number	Description	Packed
C1431SIL	3D Invisible Hinge 180 x 32 mm Silver Painted	2 / Box
C1431NK	3D Invisible Hinge 180 x 32 mm Nickel Plated	2 / Box
C1431BLK	3D Invisible Hinge 180 x 32 mm Matte Black Painted	2 / Box
C1431WHT**	3D Invisible Hinge 180 x 32 mm White Varnished	2 / Box
C1431SNI**	3D Invisible Hinge 180 x 32 mm Satin Nickel Plated	2 / Box
C1431BBR**	3D Invisible Hinge 180 x 32 mm Brushed Bronze	2 / Box
C1431BR**	3D Invisible Hinge 180 x 32 mm Polished Brass	2 / Box
C1431/1432FIX	1431 / 1432 / 1432W Series Routing Fixture	1 / Box
C1431TEMP	1431 Series Inserts for Routing Fixtures	1 Set / Box

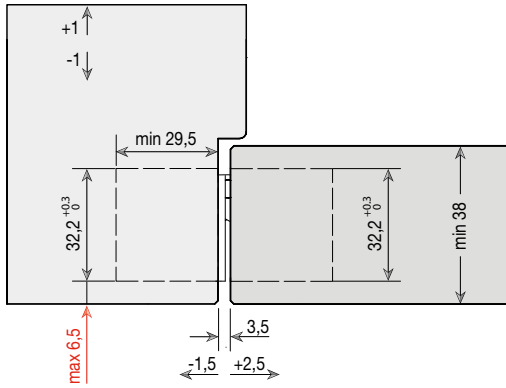
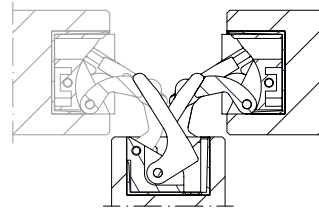
**Special order color / Item



PMI recommends using the height adjustment side on the door and the depth adjustment on the frame. Make sure to keep the same adjustment type on the same side.



REVERSIBILITY
Reversible for doors from 38 mm to 45 mm thick



1431 HINGE LOAD CAPACITY CHART

DOOR HEIGHT (inches)

2 HINGE LOAD CAPACITY CHART (lbs)							
86-5/8"	265	265	265	260	220	196	179
82-11/16"	265	265	265	238	207	185	172
78-3/4"	265	265	265	220	194	176	163
74-13/16"	265	265	240	205	183	168	157
	27-9/16"	31-1/2"	35-7/16"	39-3/8"	43-5/16"	47-1/4"	51-3/16"
	DOOR WIDTH (inches)						

DOOR HEIGHT (inches)

3 HINGE LOAD CAPACITY CHART (lbs)							
118-1/8"	298	298	298	298	298	298	298
114-3/16"	298	298	298	298	298	298	298
110-1/4"	298	298	298	298	298	298	278
106-5/16"	298	298	298	298	298	298	260
102-3/8"	298	298	298	298	298	282	243
98-7/16"	298	298	298	298	298	262	229
94-1/2"	298	298	298	298	287	243	216
90-9/16"	298	298	298	298	262	227	205
86-5/8"	298	298	298	291	243	214	194
82-11/16"	298	298	298	265	227	203	185
78-3/4"	298	298	298	243	212	192	176
	27-9/16"	31-1/2"	35-7/16"	39-3/8"	43-5/16"	47-1/4"	51-3/16"
	DOOR WIDTH (inches)						

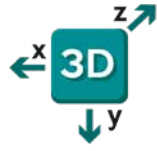
4 HINGES SUGGESTED

3D Invisible Hinge

1432
230 x 32 mm

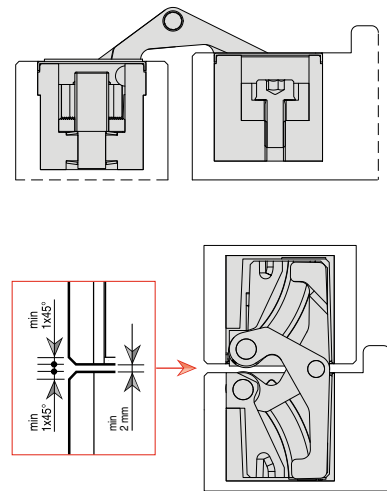
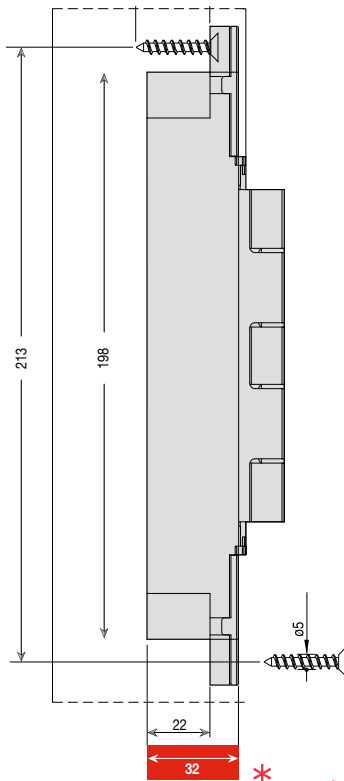
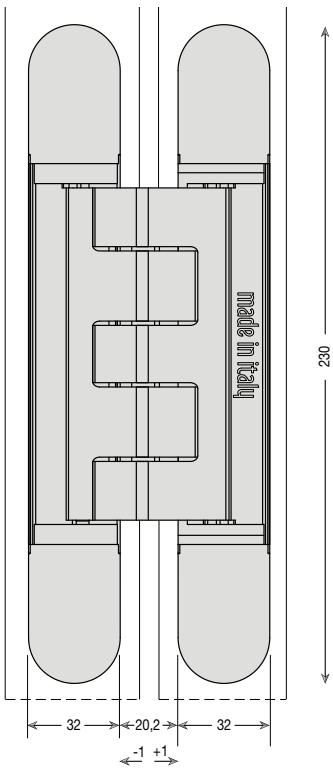
MAINTENANCE**FREE**

- Manufactured from Zinc and Aluminum
- Suitable for doors of 38 mm min. thickness
- Total Length of 230 mm
- Only 32 mm of depth
- 3D adjustments with one simple tool
- Load capacity up to 474 lbs / 215 kg with 3 hinges
- Screws and instructions included

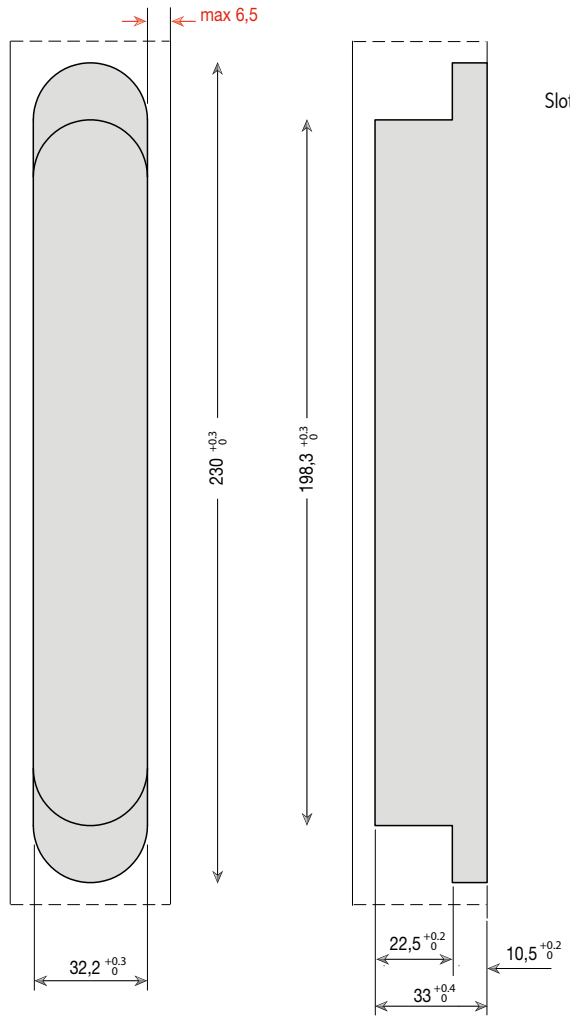


Item Number	Description	Packed
C1432SIL	3D Invisible Hinge 230 x 32 mm Silver Painted	2 / Box
C1432NK	3D Invisible Hinge 230 x 32 mm Nickel Plated	2 / Box
C1432BLK	3D Invisible Hinge 230 x 32 mm Matte Black Painted	2 / Box
C1432SNI**	3D Invisible Hinge 230 x 32 mm Satin Nickel Plated	2 / Box
C1432BBR**	3D Invisible Hinge 230 x 32 mm Brushed Bronze	2 / Box
C1432BR**	3D Invisible Hinge 230 x 32 mm Polished Brass	2 / Box
C1431/1432FIX	1431 / 1432 / 1432W Series Routing Fixture	1 / Box
C1432TEMP	1432 Series Inserts for Routing Fixtures	1 Set / Box

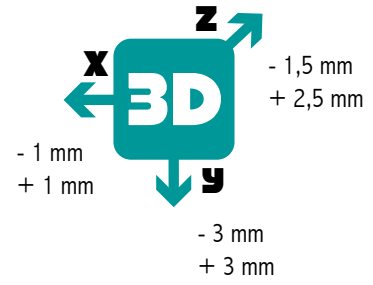
**Special order color / Item



PMI recommends using the height adjustment side on the door and the depth adjustment on the frame. Make sure to keep the same adjustment type on the same side.

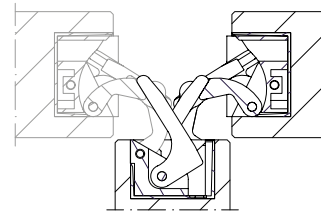


Slot measurement

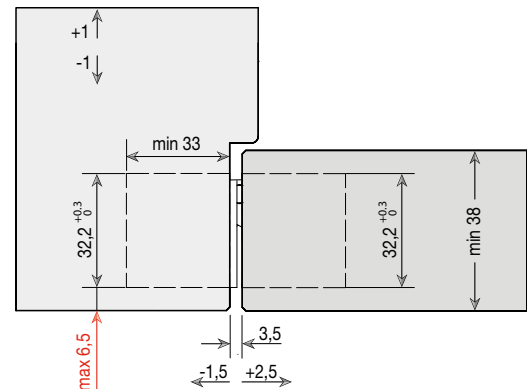


REVERSIBILITY

Reversible for doors from 38 mm to 45 mm thick



Unrebated flush door cross-section



1432 HINGE LOAD CAPACITY CHART

2 HINGE LOAD CAPACITY CHART (lbs)

DOOR HEIGHT (inches)	86-5/8"	82-11/16"	78-3/4"	74-13/16"	27-9/16"	31-1/2"	35-7/16"	39-3/8"	43-5/16"	47-1/4"	51-3/16"
86-5/8"	397	397	397	397	388	331	293	269			
82-11/16"	397	397	397	397	357	309	278	256			
78-3/4"	397	397	397	397	331	291	265	245			
74-13/16"	397	397	362	309	276	251	236				

DOOR WIDTH (inches)

3 HINGE LOAD CAPACITY CHART (lbs)

DOOR HEIGHT (inches)	118-1/8"	114-3/16"	110-1/4"	106-5/16"	102-3/8"	98-7/16"	94-1/2"	90-9/16"	86-5/8"	82-11/16"	78-3/4"
118-1/8"	474	474	474	474	474	474	474	474	474	474	474
114-3/16"	474	474	474	474	474	474	474	474	474	474	474
110-1/4"	474	474	474	474	474	474	474	474	474	474	443
106-5/16"	474	474	474	474	474	474	474	474	474	474	414
102-3/8"	474	474	474	474	474	474	474	474	474	474	395
98-7/16"	474	474	474	474	474	474	474	474	474	474	364
94-1/2"	474	474	474	474	474	474	474	474	474	474	344
90-9/16"	474	474	474	474	474	474	474	474	474	474	326
86-5/8"	474	474	474	474	474	474	474	474	474	474	311
82-11/16"	474	474	474	474	474	474	474	474	474	474	295
78-3/4"	474	474	474	474	474	474	474	474	474	474	282

DOOR WIDTH (inches)

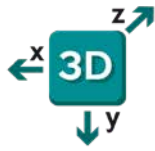
4 HINGES SUGGESTED

3D Invisible Hinge

1432W
230 x 32 mm

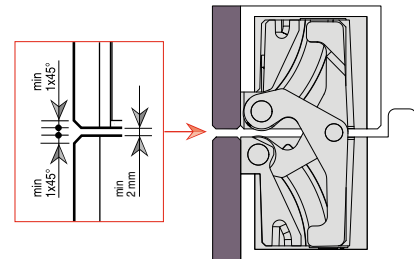
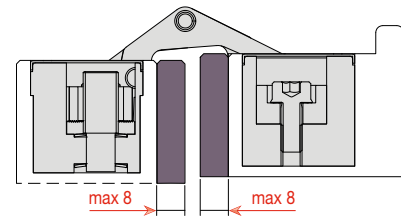
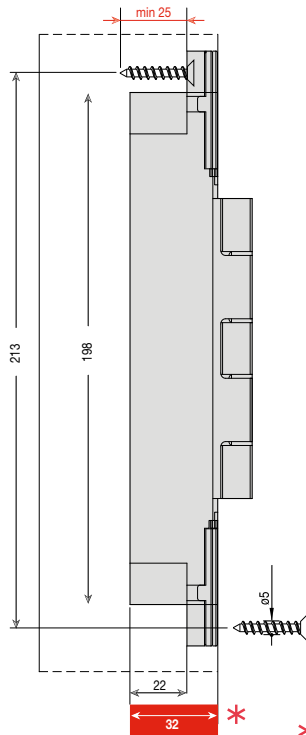
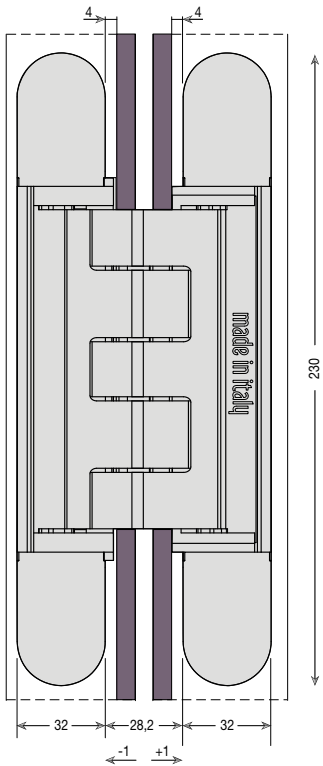
MAINTENANCE**FREE**

- Manufactured from Zinc
- Suitable for doors of 38 mm min. thickness
- Total Length of 230 mm
- Only 32 mm of depth
- 3D adjustments with one simple tool
- Load capacity up to 430 lbs / 195 kg with 3 hinges
- Screws and instructions included



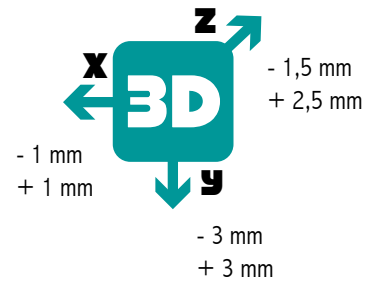
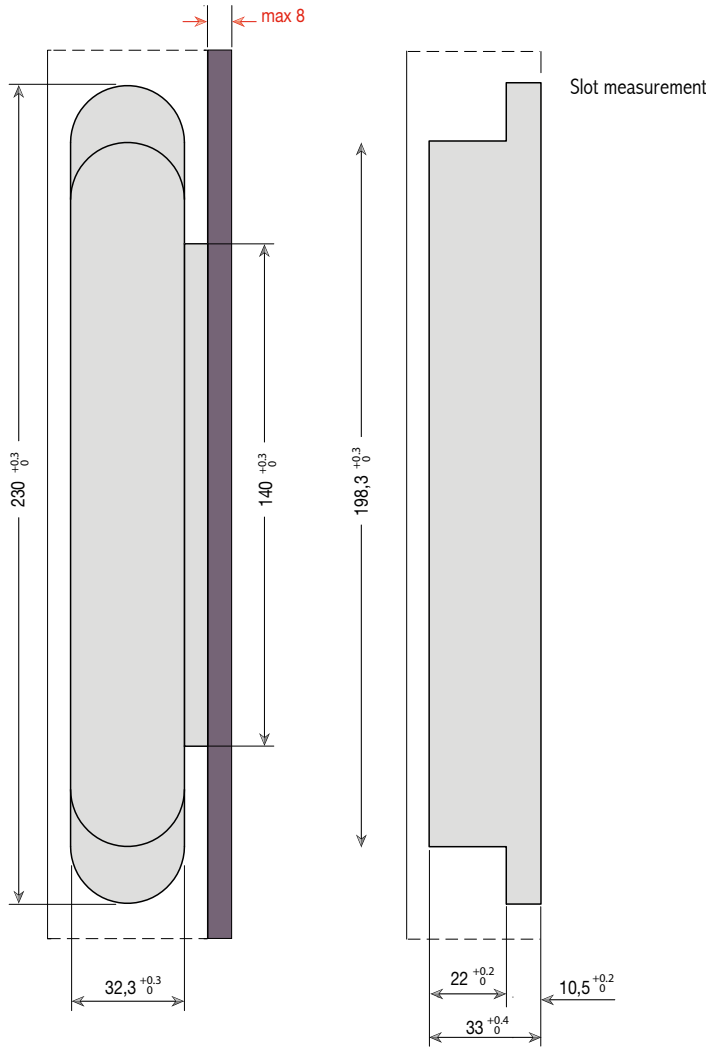
Item Number	Description	Packed
C1432SIL-W	3D Invisible Hinge 230 x 32 mm Silver Painted	2 / Box
C1432NK-W	3D Invisible Hinge 230 x 32 mm Nickel Plated	2 / Box
C1432BLK-W	3D Invisible Hinge 230 x 32 mm Matte Black Painted	2 / Box
C1432SNI-W**	3D Invisible Hinge 230 x 32 mm Satin Nickel Plated	2 / Box
C1432BBR-W**	3D Invisible Hinge 230 x 32 mm Brushed Bronze	2 / Box
C1432BR-W**	3D Invisible Hinge 230 x 32 mm Polished Brass	2 / Box
C1431/1432FIX	1431 / 1432 / 1432W Series Routing Fixture	1 / Box
C1432WTEMP	1432W Series Inserts for Routing Fixtures	1 Set / Box

**Special order color / Item

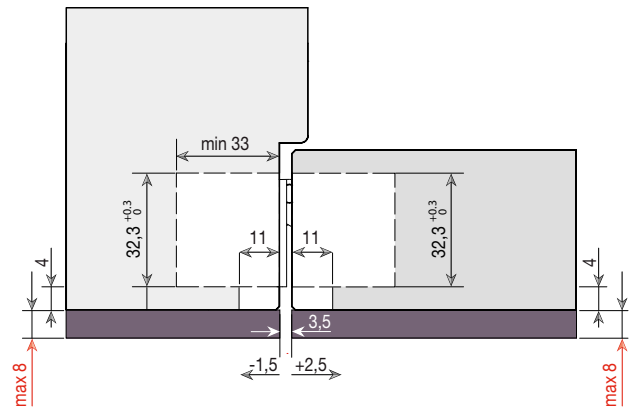


* Small Routing Depth

PMI recommends using the height adjustment side on the door and the depth adjustment on the frame. Make sure to keep the same adjustment type on the same side.



Unrebated flush door cross-section



1432W HINGE LOAD CAPACITY CHART

DOOR HEIGHT (inches)	2 HINGE LOAD CAPACITY CHART (lbs)										
	86-5/8"	82-11/16"	78-3/4"	74-13/16"	27-9/16"	31-1/2"	35-7/16"	39-3/8"	43-5/16"	47-1/4"	51-3/16"
86-5/8"	353	353	353	346	293	262	238				
82-11/16"	353	353	353	317	276	247	227				
78-3/4"	353	353	353	293	258	236	218				
74-13/16"	353	353	320	273	245	225	209				

DOOR HEIGHT (inches)	3 HINGE LOAD CAPACITY CHART (lbs)							4 HINGES SUGGESTED			
	118-1/8"	114-3/16"	110-1/4"	106-5/16"	102-3/8"	98-7/16"	94-1/2"		90-9/16"	86-5/8"	82-11/16"
118-1/8"	430	430	430	430	430	430	430				
114-3/16"	430	430	430	430	430	430	430				
110-1/4"	430	430	430	430	430	430	430	408	353		
106-5/16"	430	430	430	430	430	430	430	408	375		
102-3/8"	430	430	430	430	430	430	408	377	331		
98-7/16"	430	430	430	430	412	353	313				
94-1/2"	430	430	430	430	379	328	295				
90-9/16"	430	430	430	421	353	309	280				
86-5/8"	430	430	430	384	328	291	267				
82-11/16"	430	430	430	353	306	276	256				
78-3/4"	430	430	430								

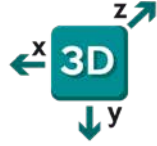
3D Invisible Hinge

1450

130 x 30 mm

MAINTENANCE**FREE**

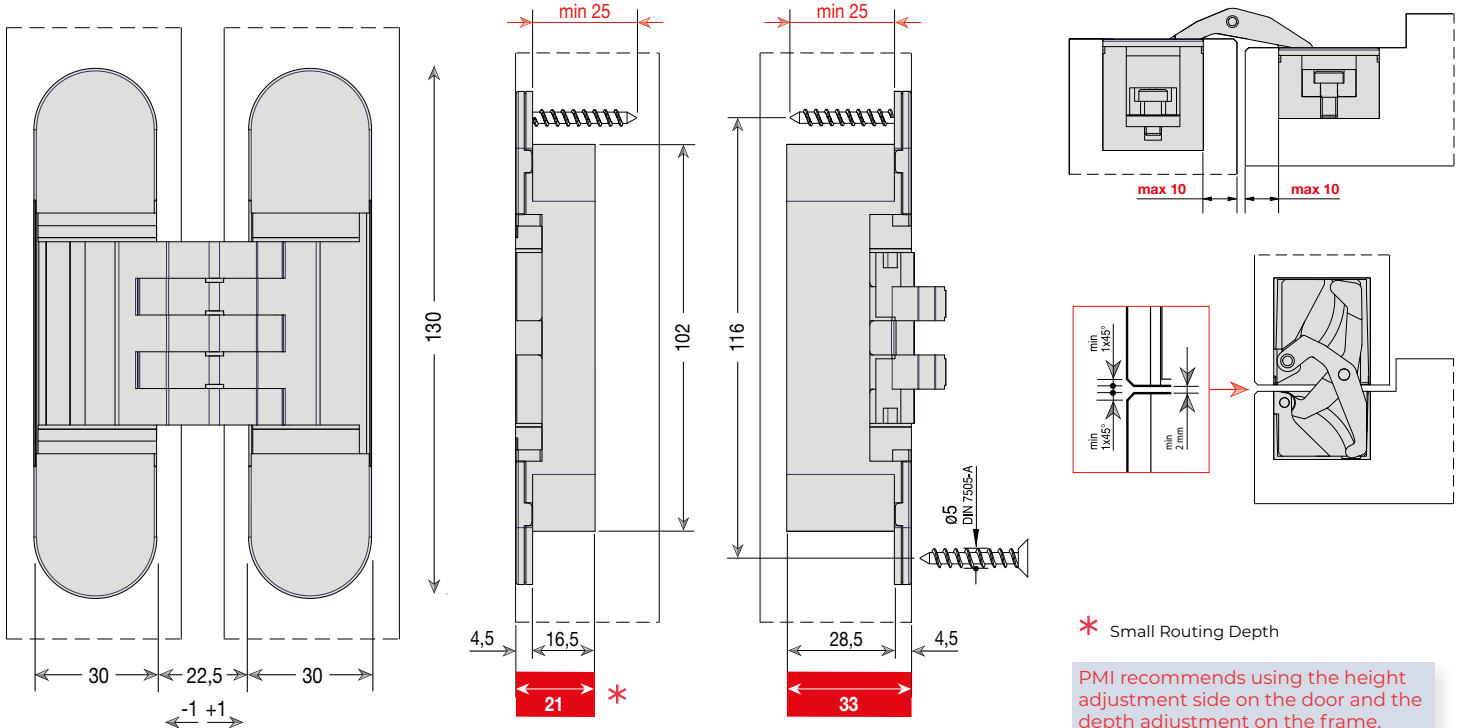
- Manufactured from Zinc
- Allows to install cladding up to 10 mm thick
- Suitable for doors of 35 mm min. thickness
- Total length of 130 mm
- 3D adjustments
- Load capacity up to 176 lbs / 80 kg with 3 hinges
- Screws and instructions included



CLADDING
up to 10mm

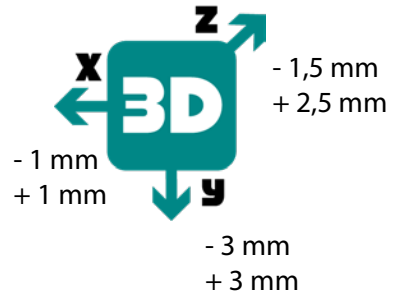
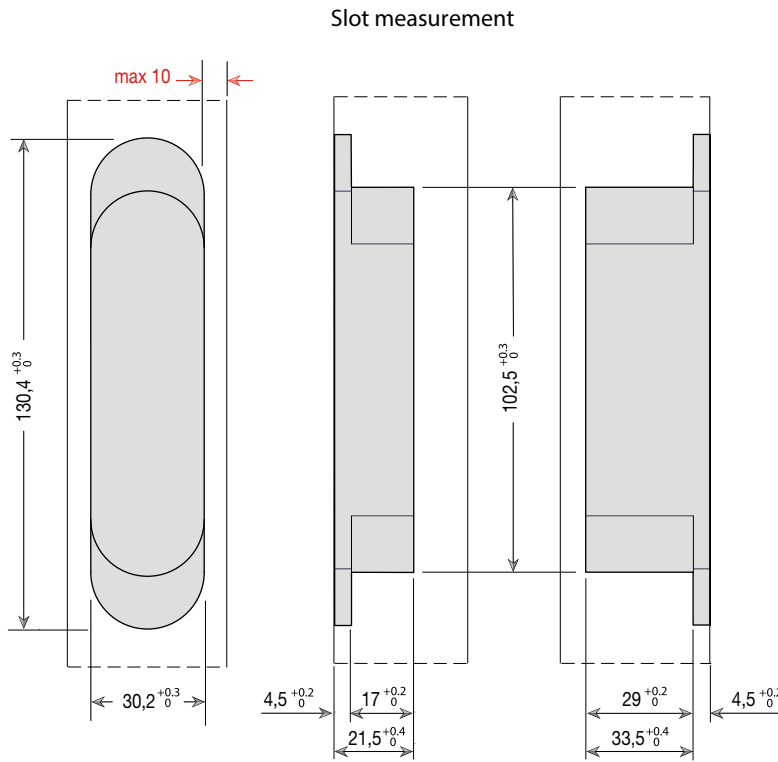


Item Number	Description	Packed
C1450SIL	3D Invisible Hinge 130 x 30 mm Silver Painted	3 / Box
C1450NK	3D Invisible Hinge 130 x 30 mm Nickel Plated	3 / Box
C1450SNI	3D Invisible Hinge 130 x 30 mm Satin Nickel Plated	3 / Box
C1450BBR	3D Invisible Hinge 130 x 30 mm Brushed Bronze	3 / Box
C1450BLK	3D Invisible Hinge 130 x 30 mm Matte Black Painted	3 / Box
C1131/1230FIX	1131 / 1230 / Series Routing Fixture	1 / Box
C1450TEMP	1450 Series Inserts for Routing Fixtures	1 Set / Box



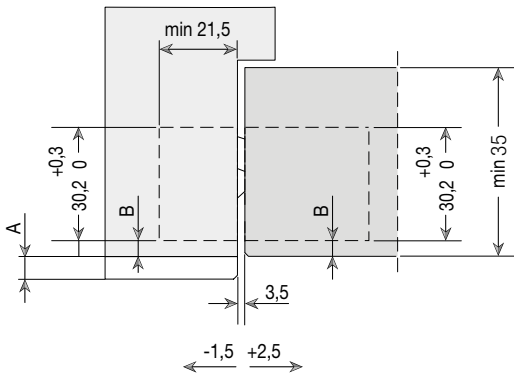
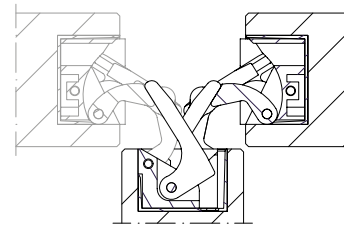
* Small Routing Depth

PMI recommends using the height adjustment side on the door and the depth adjustment on the frame. Make sure to keep the same adjustment type on the same side.



REVERSIBILITY

Reversible for doors from 35 mm to 50 mm thick



Door cross-section

A	B
15,5	2,5
14,5	3
13,5	3,5
12,5	4
11,5	4,5
10,5	5
9,5	5,5

1450 HINGE LOAD CAPACITY CHART

2 HINGE LOAD CAPACITY CHART (lbs)

DOOR HEIGHT (inches)	27-9/16"	31-1/2"	35-7/16"	39-3/8"	43-5/16"	47-1/4"	51-3/16"
86-5/8"	132	132	132	130	112	101	93
82-11/16"	132	132	132	121	106	97	88
78-3/4"	132	132	132	112	101	93	86
74-13/16"	132	132	121	106	95	88	84

DOOR WIDTH (inches)

3 HINGE LOAD CAPACITY CHART (lbs)

DOOR HEIGHT (inches)	27-9/16"	31-1/2"	35-7/16"	39-3/8"	43-5/16"	47-1/4"	51-3/16"
118-1/8"	176	176	176	176	176	176	176
114-3/16"	176	176	176	176	176	176	176
110-1/4"	176	176	176	176	176	176	165
106-5/16"	176	176	176	176	176	176	157
102-3/8"	176	176	176	176	176	168	148
98-7/16"	176	176	176	176	176	157	141
94-1/2"	176	176	176	176	170	148	134
90-9/16"	176	176	176	176	159	141	128
86-5/8"	176	176	176	172	148	132	123
82-11/16"	176	176	176	159	139	126	119
78-3/4"	176	176	176	148	132	121	115

DOOR WIDTH (inches)

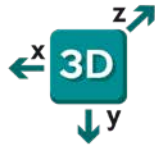
4 HINGES SUGGESTED

3D Invisible Hinge

929

76 x 14 mm

MAINTENANCE**FREE**



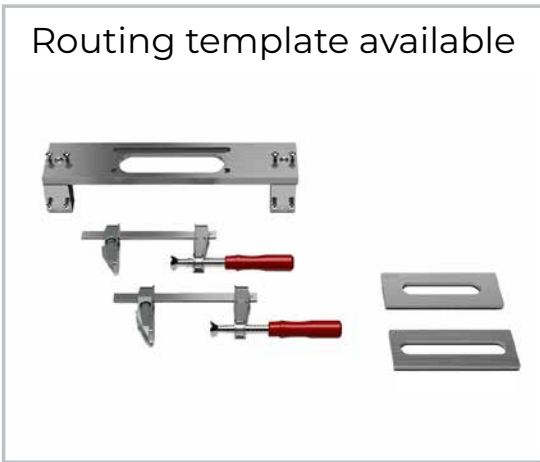
3/4" DOORS



- Manufactured from Zinc and Fiberglass
- The first Ceam 3D hinge for cabinets
- Suitable for doors of 18 mm (3/4") min. thickness
- Total Length of 76 mm
- Only 15 mm of depth
- 3D adjustments with one simple tool
- Load capacity up to 40 lbs / 18 kg with 3 hinges
- Screws and instructions included

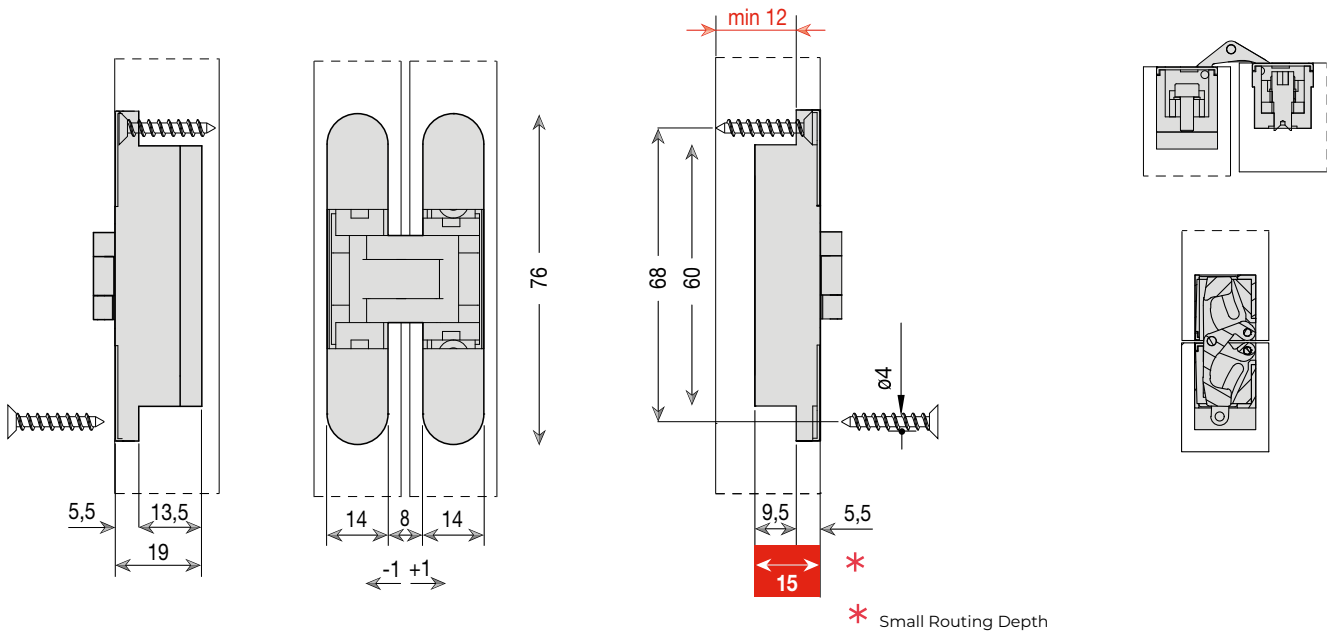


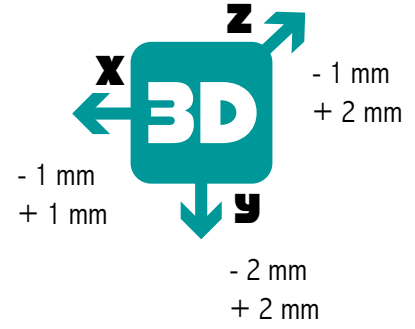
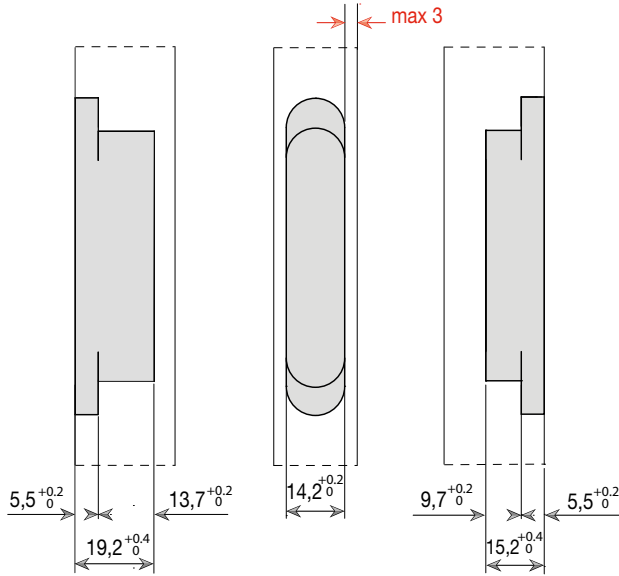
Routing template available



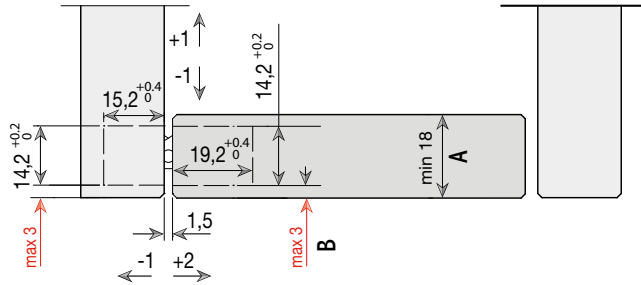
Item Number	Description	Packed
C929NK	3D Invisible Hinge 76 x 14 mm Nickel Plated	20 / Box
C929BLK	3D Invisible Hinge 76 x 14 mm Matte Black Painted	20 / Box
C929SIL**	3D Invisible Hinge 76 x 14 mm Silver	20 / Box
C929WHT**	3D Invisible Hinge 76 x 14 mm White Painted	20 / Box
C929BRO**	3D Invisible Hinge 76 x 14mm Bronze Plated	20 / Box
C929FIX-TEMP	929 Routing Fixture with Template Included	1 / Box

**Special order color / Item



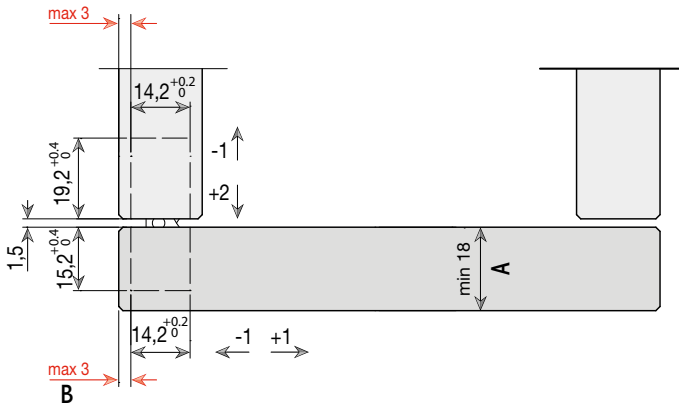


Slot measurement



Cabinet cross-section with door inside the box

A	B
18	2
20	3



Cabinet cross-section with door outside the box

A	B
18	2
20	3

929 HINGE LOAD CAPACITY CHART

DOOR HEIGHT (inches)	2 HINGE LOAD CAPACITY CHART (lbs)			
	19-11/16"	23-5/8"	27-9/16"	31-1/2"
39-3/8"	31	31	31	29
31-1/2"	31	31	31	26
23-5/8"	31	31	31	24
19-11/16"	31	31	26	22

DOOR HEIGHT (inches)	3 HINGE LOAD CAPACITY CHART (lbs)				4 HINGES SUGGESTED
	19-11/16"	23-5/8"	27-9/16"	31-1/2"	
78-3/4"	40	40	40	40	
63"	40	40	40	40	
47-1/4"	40	40	40	40	
39-3/8"	40	40	40	40	
31-1/2"	40	40	40	37	
23-5/8"	40	40	40	35	
19-11/16"	40	40	35	31	

DOOR WIDTH (inches)

2010SS

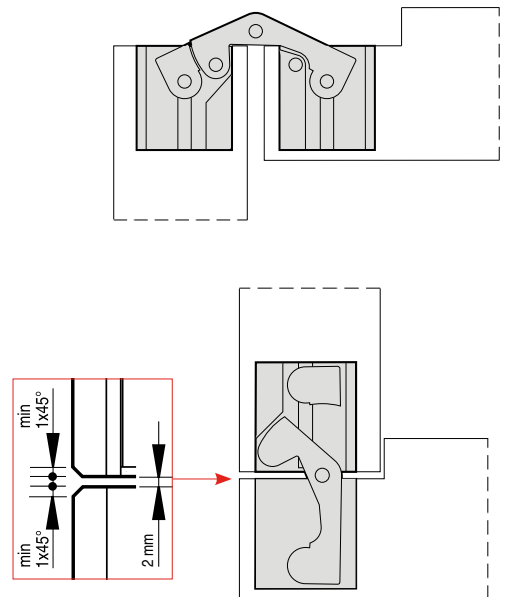
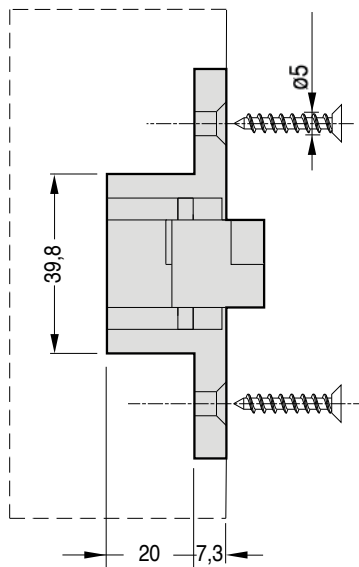
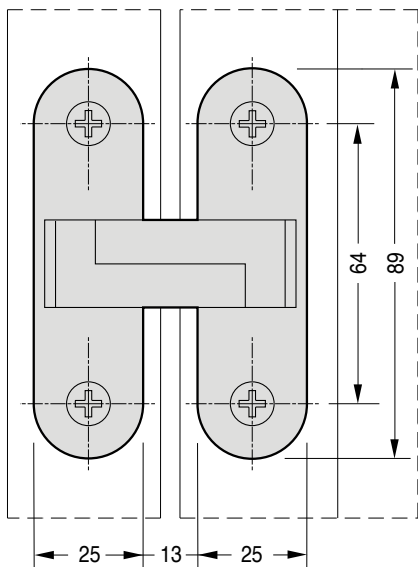
89 x 25 mm

- Manufactured from #304 Stainless Steel and Nylon
- Suitable for doors of 31 mm min. thickness
- Total Length of 89 mm
- Only 27.3 mm of depth
- Load capacity up to 132 lbs / 60 kg with 3 hinges

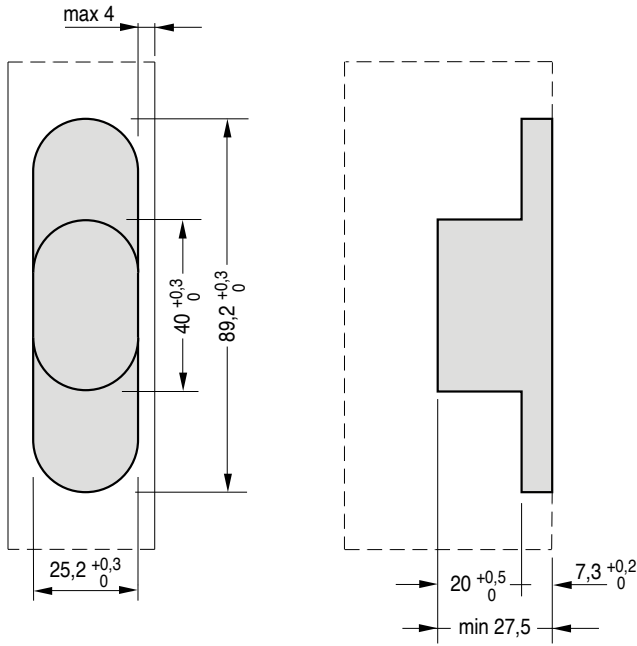


#304 STAINLESS STEEL

Item Number	Description	Packed
C2010SS	Invisible Hinge 89 x 25 mm Stainless Steel / Nylon	3 / Box

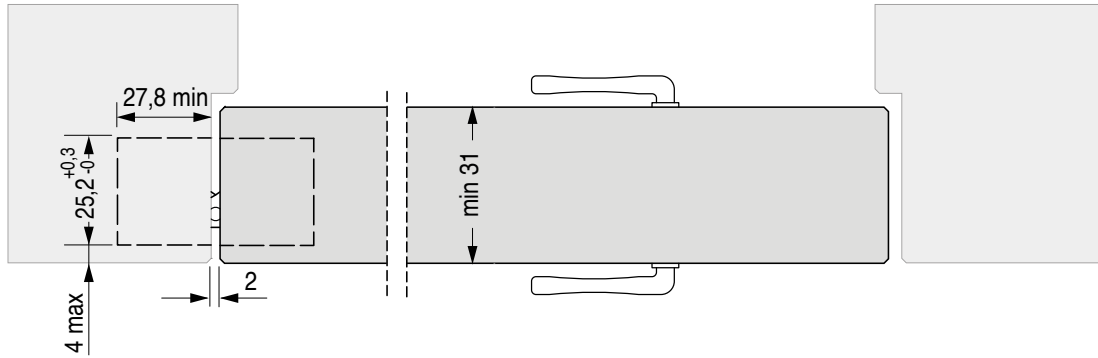
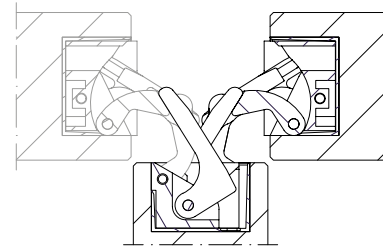


Slot measurement



REVERSIBILITY

Reversible for doors from 31 mm to 33 mm thick



Door cross-section

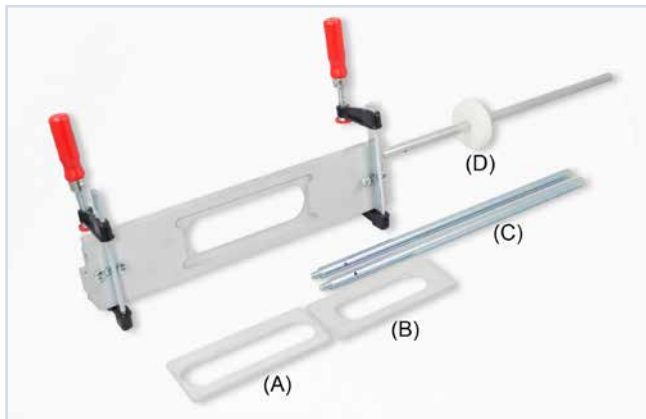
2010 HINGE LOAD CAPACITY CHART

		2 HINGE LOAD CAPACITY CHART (lbs)						
DOOR HEIGHT (inches)	86-5/8"	88	88	88	88	75	66	60
	82-11/16"	88	88	88	79	68	62	57
	78-3/4"	88	88	88	75	66	60	55
	74-13/16"	88	88	82	68	62	57	53
		27-9/16"	31-1/2"	35-7/16"	39-3/8"	43-5/16"	47-1/4"	51-3/16"
		DOOR WIDTH (inches)						

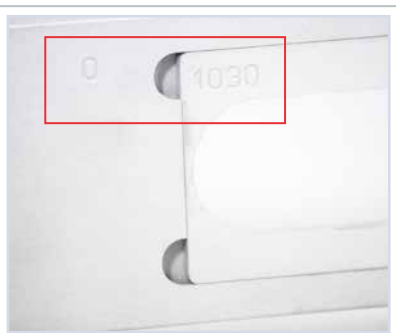
		3 HINGE LOAD CAPACITY CHART (lbs)						
DOOR HEIGHT (inches)	118-1/8"	132	132	132	132	132	132	132
	114-3/16"	132	132	132	132	132	132	132
	110-1/4"	132	132	132	132	132	132	123
	106-5/16"	132	132	132	132	132	132	115
	102-3/8"	132	132	132	132	132	126	108
	98-7/16"	132	132	132	132	132	117	101
	94-1/2"	132	132	132	132	128	108	97
	90-9/16"	132	132	132	132	117	101	90
	86-5/8"	132	132	132	130	108	95	86
	82-11/16"	132	132	132	117	101	90	82
78-3/4"	132	132	132	108	95	86	79	
		27-9/16"	31-1/2"	35-7/16"	39-3/8"	43-5/16"	47-1/4"	51-3/16"
		DOOR WIDTH (inches)						

4 HINGES SUGGESTED

Routing Fixture & Templates



CEAM's routing template is specifically designed for manual pantographs, to easily create the slots for any invisible hinge model, using different inserts.



*Very important for the correct use and assembly of the insert. The reference is printed on the template and the code is printed on the same side of the inserts.

929 Template



The C929FIX-TEMP includes the routing fixture and the templates.

The Routing template, which comprises a frame and 2 insertions, enables implementation of 2 slots for the invisible hinges and is made of 5 mm thick aluminum plates.

The strength of the materials guarantees precise execution of the slots with a manual pantograph. All manual pantographs are made to fit 10 mm diameter cutters and 5/8" (16 mm) external collet.

Examples for router tools in using Ceam Hinges:

- 5/8" router bushing with 10 mm router bit. (recommended: Powertec 71166 bushing with Amana 45417 bit or CMT 811.600.11 bit)
- 51/64" router bushing with 9/16" router bit. (recommended: Powertec 71352 bushing with Whiteside 1075 bit)

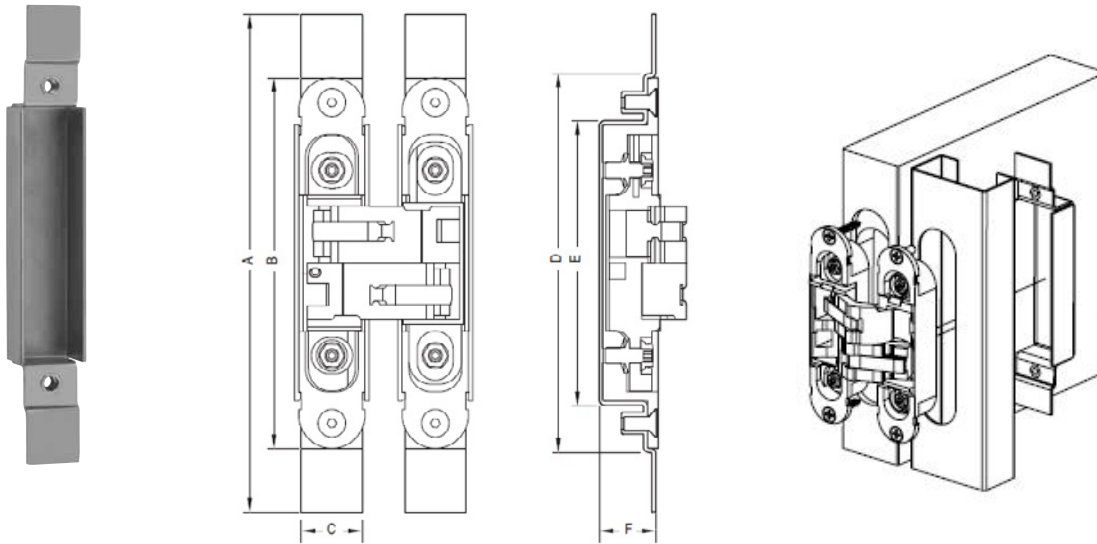
2 types of insertions (easily replaceable) are used: one **(A)** to execute the butt slots and the other **(B)** for the internal depth slot. The extension arms **(C)**, with a nylon ring **(D)**, establish the desired distance between slots on the door - both left and right - and on the frame.

Fixture & Template Guide

Hinge Style	Items No.	Description	Packed
1130SS	C1130FIX	Routing Fixture	1 / Box
	C1130TEMP	Inserts for Routing Template	1 Set / Box
1131	C1131/1230FIX	Routing Fixture	1 / Box
	C1131TEMP	Inserts for Routing Template	1 Set / Box
1230	C1131/1230 FIX	Routing Fixture	1 / Box
	C1230TEMP	Inserts for Routing Template	1 Set / Box
1418	C1418FIX-TEMP	Routing Fixture with Template Included	1/Box
1430	C1130FIX	Routing Fixture	1 / Box
	C1430TEMP	Inserts for Routing Template	1 Set / Box
1431	C1431/1432 FIX	Routing Fixture	1/Box
	C1431TEMP	Insert for Routing Template	1 Set / Box
1432	C1431/1432 FIX	Routing Fixture	1/Box
	C1432TEMP	Insert for Routing Template	1 Set / Box
1432W	C1431/1432 FIX	Routing Fixture	1/Box
	C1432WTEMP	Insert for Routing Template	1 Set / Box
1450	C1131/1230 FIX	Routing Fixture	1/Box
	C1450TEMP	Insert for Routing Template	1 Set / Box
929	C929FIX-TEMP	Routing Fixture with Template	1/Box

Frame Fixing Plate

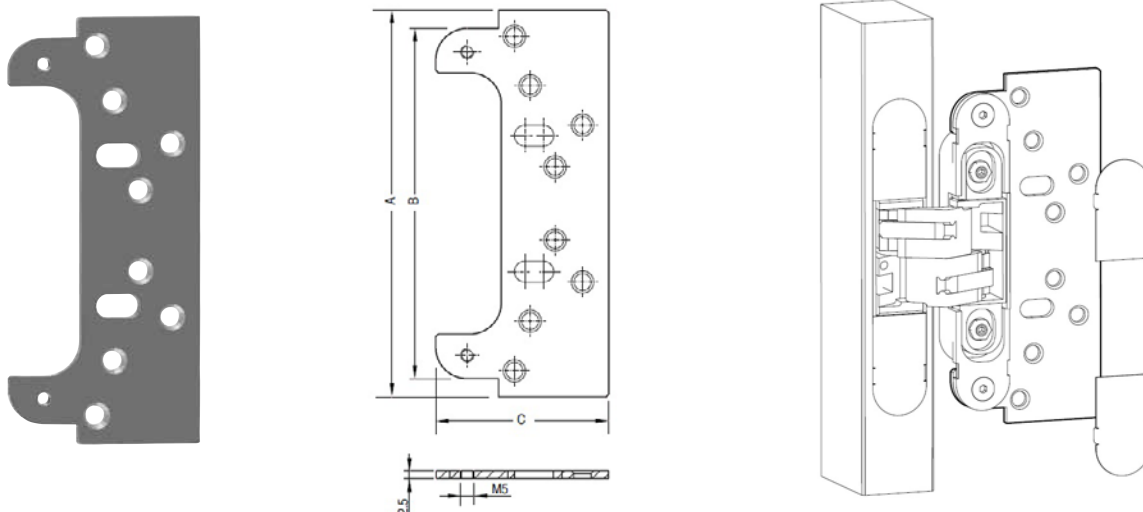
For Metal Doors



Item Number	Description	A	B	C	D	E	F	Packed
1130FFP	1130 Series Frame Fixing Plate, Steel Galv.	180	134	22	137	103	21	1 / Box
1131FFP	1131 Series Frame Fixing Plate, Steel Galv.	198	161	30	164	133	31	1 / Box
1230FFP	1230 Series Frame Fixing Plate, Steel Galv.	180	130	29	133	105	21	1 / Box

Wall Fixing Plate

For Wood Doors



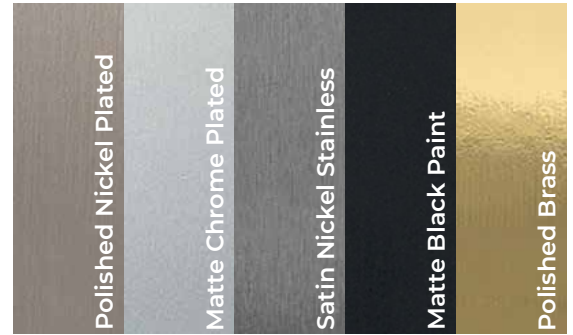
Item Number	Description	A	B	C	D	Packed
1130WFP	1130 Series Wall Fixing Plate, Steel Galv.	148	134	134	2.5	1 / Box
1131WFP	1131 Series Wall Fixing Plate, Steel Galv.	180	166	74	3	1 / Box
1230WFP	1230 Series Wall Fixing Plate, Steel Galv.	136	136	70	3	1 / Box

ML50-CY Cylinder Magnetic Lock

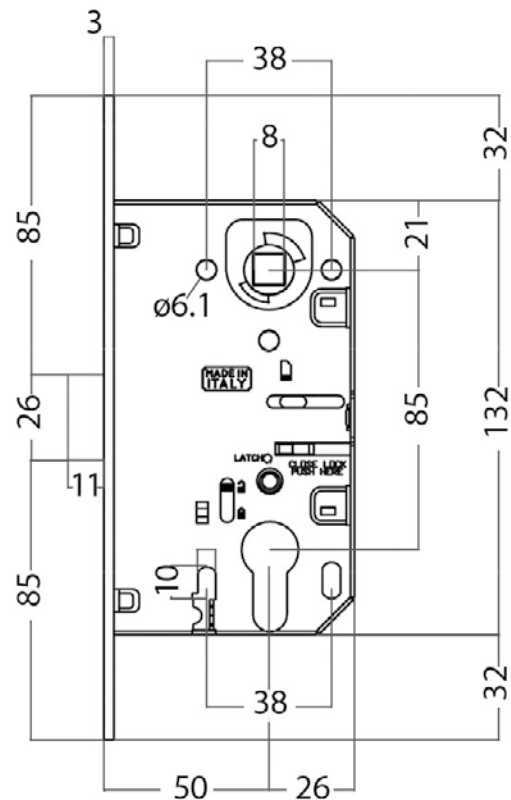
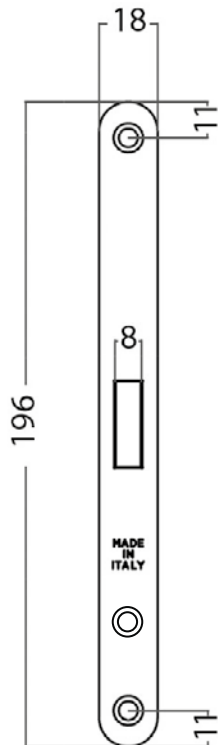
- Euro cylinder lock hole
- 85 mm center
- 8 mm square handle hole
- Magnetic latch
- 196 x 18 mm rounder faceplate
- Locking by cylinder: the handle turns freely but it does not operate the latch



Face Plate Colors



Item Number	Setback	Application	Finish	Packed
ML50-CY-NK	50mm	Cylinder	Polished Nickel Plated	8 / Box
ML50-CY-MCH	50mm	Cylinder	Matte Chrome Plated	8 / Box
ML50-CY-SNK	50mm	Cylinder	Satin Nickel Stainless	8 / Box
ML50-CY-BLK	50mm	Cylinder	Matte Black Paint	8 / Box
ML50-CY-BR	50mm	Cylinder	Polished Brass	8 / Box



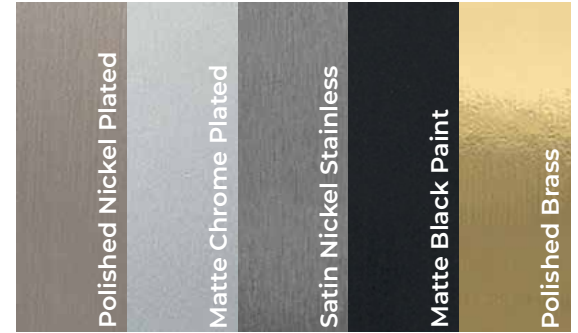
ML50-WC

Passage and Bathroom Magnetic Lock

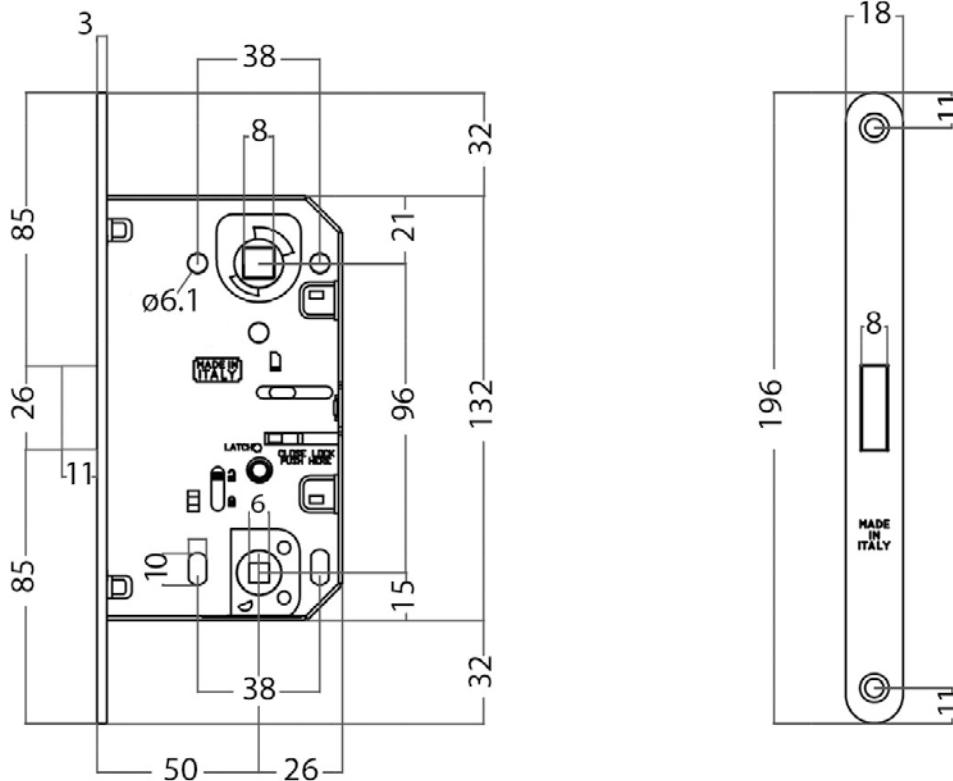


- 6 mm privacy knob hole
- 96 mm center
- 8 mm square handle hole
- Magnetic latch
- 196 x 18 mm rounded faceplate
- Turning privacy knob locks or unlocks latch. Once the knob is turned to unlock, the handle needs to be turned to retract the latch

Face Plate Colors



Item Number	Setback	Application	Finish	Packed
ML50-WC-NK	50mm	Passage / BR	Polished Nickel Plated	8 / Box
ML50-WC-MCH	50mm	Passage / BR	Matte Chrome Plated	8 / Box
ML50-WC-SNK	50mm	Passage / BR	Satin Nickel Stainless	8 / Box
ML50-WC-BLK	50mm	Passage / BR	Matte Black Paint	8 / Box
ML50-WC-BR	50mm	Passage / BR	Polished Brass	8 / Box

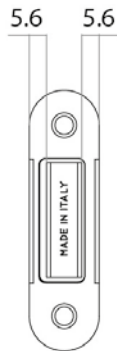
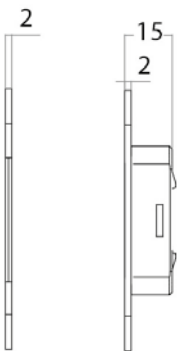
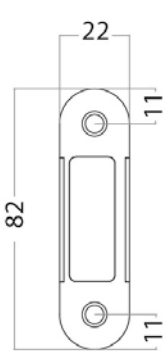
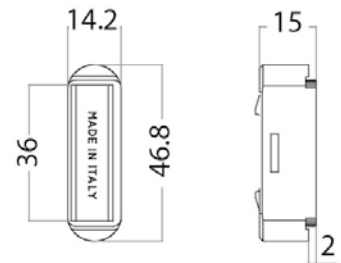


Box Strike Plate

Assembly and Adjustment



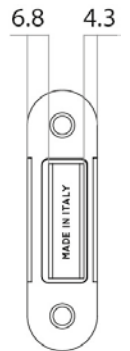
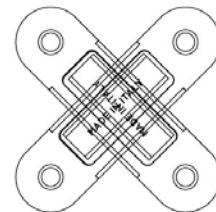
- The box strike plate was designed to offer some tolerances during milling. The box strike plate allows for an adjustment of up to 3mm.
- Strike plates have the same matching colors as the door locks.
- Strike plates have an offset window which provides a 1.5 mm adjustment by rotating it 180°.
- Flexible fins will always keep the box against the strike plate which help solve depth errors in frame milling.
- Depth of milling (mm): $15.5^{+0.5}_{-0.5}$



Rotate the box 180°



Rotate the box and the strike plate 180°



Conversion Chart

Fractions	Inches	mm	Fractions	Inches	mm
1/64	.0156	.3969	33/64	.5156	13.097
1/32	.0313	.7938	17/32	.5313	13.494
3/64	.0469	1.191	35/64	.5469	13.891
1/16	.0625	1.588	9/16	.5625	14.288
5/64	.0781	1.984	37/64	.5781	14.684
3/32	.0938	2.381	19/32	.5938	15.081
7/64	.1094	2.778	39/64	.6094	15.478
1/8	.125	3.175	5/8	.625	15.875
9/64	.1406	3.572	41/64	.6406	16.272
5/32	.1563	3.969	21/32	.6563	16.669
11/64	.1719	4.366	43/64	.6719	17.066
3/16	.1875	4.763	11/16	.6875	17.463
13/64	.2031	5.159	45/64	.7031	17.859
7/32	.2188	5.556	23/32	.7188	18.256
15/64	.2344	5.953	47/64	.7344	18.653
1/4	.25	6.350	3/4	.75	19.050
17/64	.2656	6.747	49/64	.7656	19.447
9/32	.2813	7.144	25/32	.7812	19.844
19/64	.2969	7.541	51/64	.7969	20.241
5/16	.3125	7.938	13/16	.8125	20.638
21/64	.3281	8.334	53/64	.8281	21.034
11/32	.3438	8.731	27/32	.8438	21.431
23/64	.3594	9.128	55/64	.8594	21.828
3/8	.375	9.525	7/8	.875	22.225
25/64	.3906	9.922	57/64	.8906	22.622
13/32	.4062	10.319	29/32	.9063	23.019
27/64	.4219	10.716	59/64	.9219	23.416
7/16	.4375	11.113	15/16	.9375	23.813
29/64	.4531	11.509	61/64	.9531	24.209
15/32	.4688	11.906	31/32	.9688	24.606
31/64	.4844	12.303	63/64	.9844	25.003
1/2	.5	12.700	1	1	25.400



CONTACT INFO

1255 South Park Dr.
Kernersville, NC 27284 USA
Tel. 336-996-7774
Fax 336-996-1812
Toll Free 800-222-6941
E-mail: info@petermeier.com
www.petermeier.com

