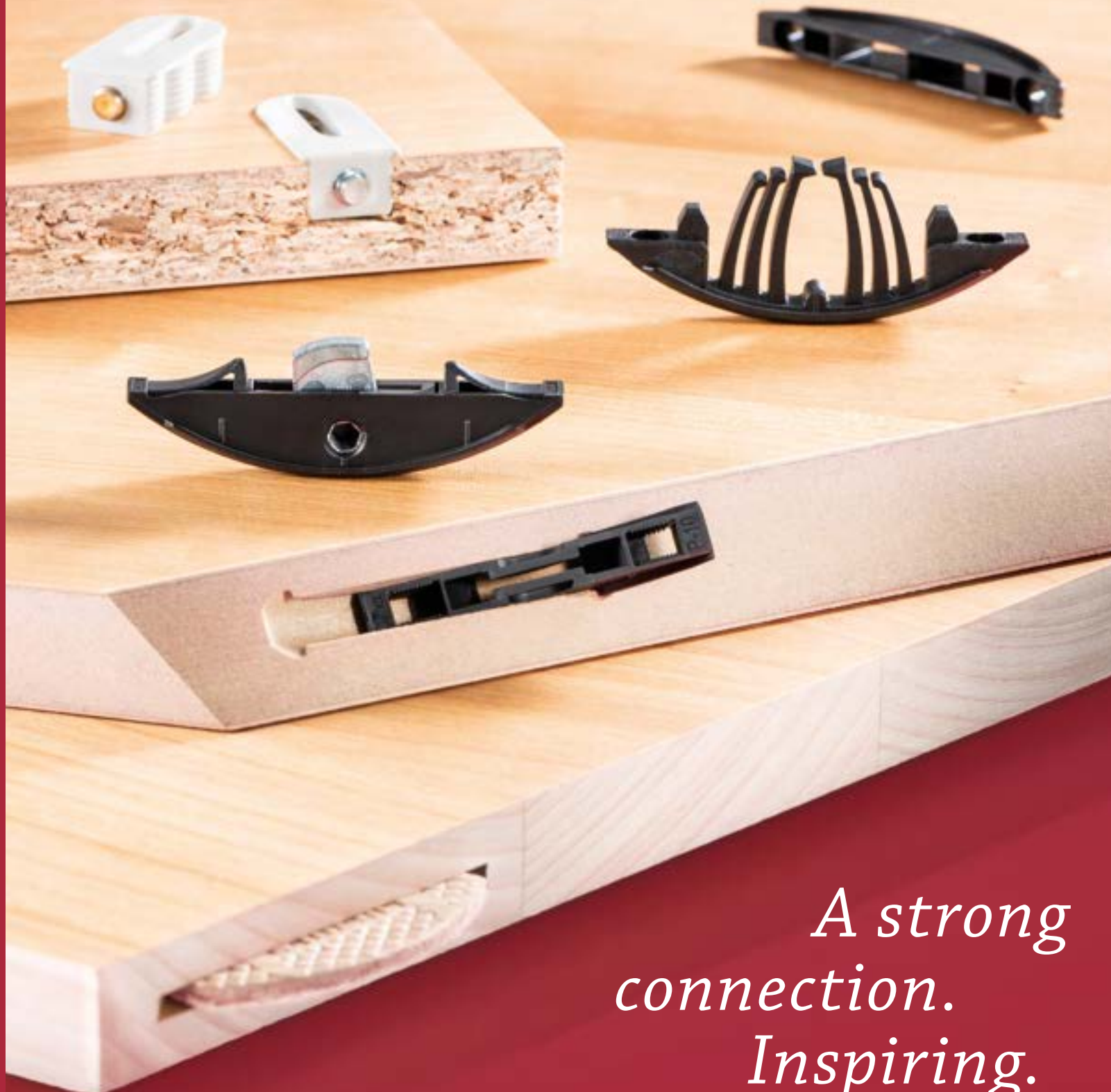


Lamello

Catalogue

2024/2025

english



*A strong
connection.
Inspiring.*

*« Lamello's system solutions
are synonymous with
quality, innovation and
excellent functionality,
and are used across the
globe where they have
proven their worth
millions of times over! »*

Susanne Affolter, Owner and President of the Board of Directors



Content



Lamello	6–19
Systems, P-System, Lamello System, Drilling System – Overview	20–21



P-System 22 – 73

The time-saving joining system with form-locking anchoring

P-System – Overview	24–25
Connectors – Features overview	26–27
P-System – Applications	30–33
Clamex P-14 – Detachable furniture connector	34–35
Clamex P-14/10 Medius – Detachable connector for centre panels for materials from 16 mm thickness	36–37
Clamex P-10 – Detachable connector for materials from 12 mm thickness	38–39
Clamex P-14/10 Flexus – Detachable furniture connector with flexible positioning pins	40–41
Clamex P-14 CNC – Detachable furniture connector with precise alignment	42–43
Advantages of the Clamex P – Detachable furniture connector	44
Bisco P – Aligning element, suitable for the P-System groove	46–47
Tenso P-14 – Self-clamping connector for glueing materials from 16 mm thickness	48–49
Tenso P-10 – Self-clamping connector for glueing thin materials from 12 mm thickness	50–51
Divario P-18 – Self-clamping, invisible connector for slide insertion	52–53
High performance without cable – LiHD battery pack	54–55
More flexible in the workshop	56
Mobile working on the construction site	57
Zeta P2 cordless – The powerful P-System biscuit joiner for cordless freedom	58–59
Zeta P2 – The machine for the evolving P-System, saving you time daily! Differentiate your products from the standard!	60–61
Accessories – Zeta P2 cordless and Zeta P2	62
Connected in seconds ... Without waiting time, clamps, or secondary processes, glued and clamped in 40 seconds	63
Technical information	66–69
Accessories/Spare Parts – P-System	70–73



Lamello System 74 – 117

The original for efficient, intuitive and precise joints

Lamello System – Overview	76–77
Lamello System – Applications	80–83
Original wood biscuit – The original wooden biscuit that always fits	84–85
E20 – The self-clamping element	86–87
Clamex S-20 – Detachable furniture connector for the 4 mm groove	88–89
Clamex S-18 – Detachable, flexible and simple. Installation in an 8 mm groove with screws	90–91
K20 – The clamping element, which holds the workpiece in position	92–93
C20/C10 – The transparent element	94–95
Minicol – The all purpose glue applicator	96–97
Clamping set – Clamping system for cabinets	98–99
Classic X cordless – The original biscuit joiner – precise and cordless	100–101
Classic X – The original biscuit joiner for every workshop	102–103
Top 21 – The original biscuit joiner with height adjustable blade from the inventor	104–105
Accessories – Classic X cordless, Classic X and Top 21	106–107
Original Lamello biscuit joiners – These properties make the difference	108
Versatile use ... With various connecting elements	109
Technical information	110–113
Accessories/Spare Parts – Lamello System	114–117



Drilling System 118 – 155

Unique drilling systems for high demands on productivity and aesthetics

Drilling System – Cabineo, Invis Mx2 – Overview	120–121
Drilling System – Applications	124–127
Cabineo 12 – Time-saving cabinet connector for corner joints from 13 mm	128–129
Cabineo 8 – Time-saving cabinet connector for centre panels from 16 mm	130–131
Cabineo 8 M6 – Wear-resistant cabinet connector for various materials and increased strength	132–133
Cabineo insert M6 – For repeated assembly and disassembly without loss of strength	134–135
Cabineo X – Cabinet connector and shelf support without edge drilling	136–137
Advantages of Cabineo – Simple, fast and strong	138
Cabineo compared with cam and dowel	139
Examples of manufacturing and assembly processes – Cabineo	140–141
Invis Mx2 – Magnet-driven connecting fittings	142–145
Rasto drill jig – Universal drill jig without measuring or marking	146–147
Technical information	148–151
Accessories/Spare Parts – Drilling System	152–155



Networked production 156 – 175

From planning and design to procurement, programming and machining with CNC.

Components for the successful integration of Lamello connection systems into your networked production	159
Networked production – Overview of the production process	160–161
P-System with CNC – Joining methods and requirements for CNC machines/machining options	162–165
P-System equipment options – For CNC machines for particularly efficient machining	166–167
Ideas for standardising – The machining on a CNC machine	168
Possible combination of CNC machines with Zeta P2	169
Cabineo with CNC – Specific equipment options for CNC machines for Cabineo	170–171
CNC tools – For the P-System	172–173
CNC tools – For Cabineo	174



Accessories 176 – 191

Accessories/Spare Parts – P-System	178–181
Accessories/Spare Parts – Lamello System	182–185
Accessories/Spare Parts – Drilling System	186–189
Disclaimer regarding load limits	189
Overview of connectors	190–191

Subject to modifications and amendments. Plastic parts may vary in colour due to the production process. Colour specifications are for guidance only.

© Lamello AG. The content of this brochure is protected by copyright and cannot be used for any other purpose without the written consent of Lamello AG.

*Together,
dynamic
and reliable*



*Far-reaching.
Close to home.*



At home right
across the globe.

We enjoy supporting you with our international sales network consisting of four subsidiaries, distributors in 50 countries and more than 400 sales partners worldwide. As such we are available locally for our customers anywhere and at any time, be it for individual advice, training or services.



Headquarter:
– Switzerland

Subsidiaries:
– Belgium/France/Netherlands
– Germany
– Italy
– Austria

Markets with Lamello
sales representatives:
– England and Ireland
– Eastern Europe
– Spain and Portugal
– Southeast Europe
– Scandinavia

We are here for you!

Support in person

Do you have any questions concerning our products or a certain application? Would you like to learn more about the process benefits for your business? Our qualified employees and sales partners will be happy to help you quickly and competently, whether by telephone, online or during a personal support on site.



Latest news

Stay up-to-date and sign up for our Lamello News and e-newsletter. Become part of the Lamello community on social media and be inspired, or visit our stand at one of the numerous trade fairs. We are always happy to hear from you.



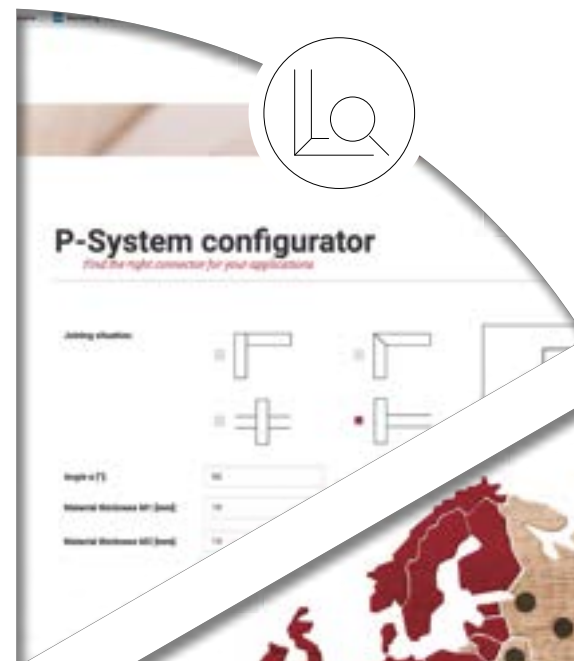
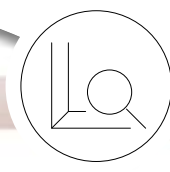
Our services

Quality is one of the cornerstones of our business, and so our products are designed to last. If a repair is necessary, we can offer you uncomplicated service through our certified Lamello service partners and a spare parts warranty of at least 10 years.



Support in your planning

With the connector search and the P-System configurator on our website, you can quickly find the right connector for your design and requirements. With CAD data for our connectors, tips and tricks, as well as videos about the wide range of applications, we can guide and support you in your planning on our website and on the Lamello YouTube channel.



Qualified sales partners

Our professional and committed sales partners provide you with qualified advice, always keeping you informed about new products. This way, you can see the benefits of our products first hand.



Competent planning and machining partners

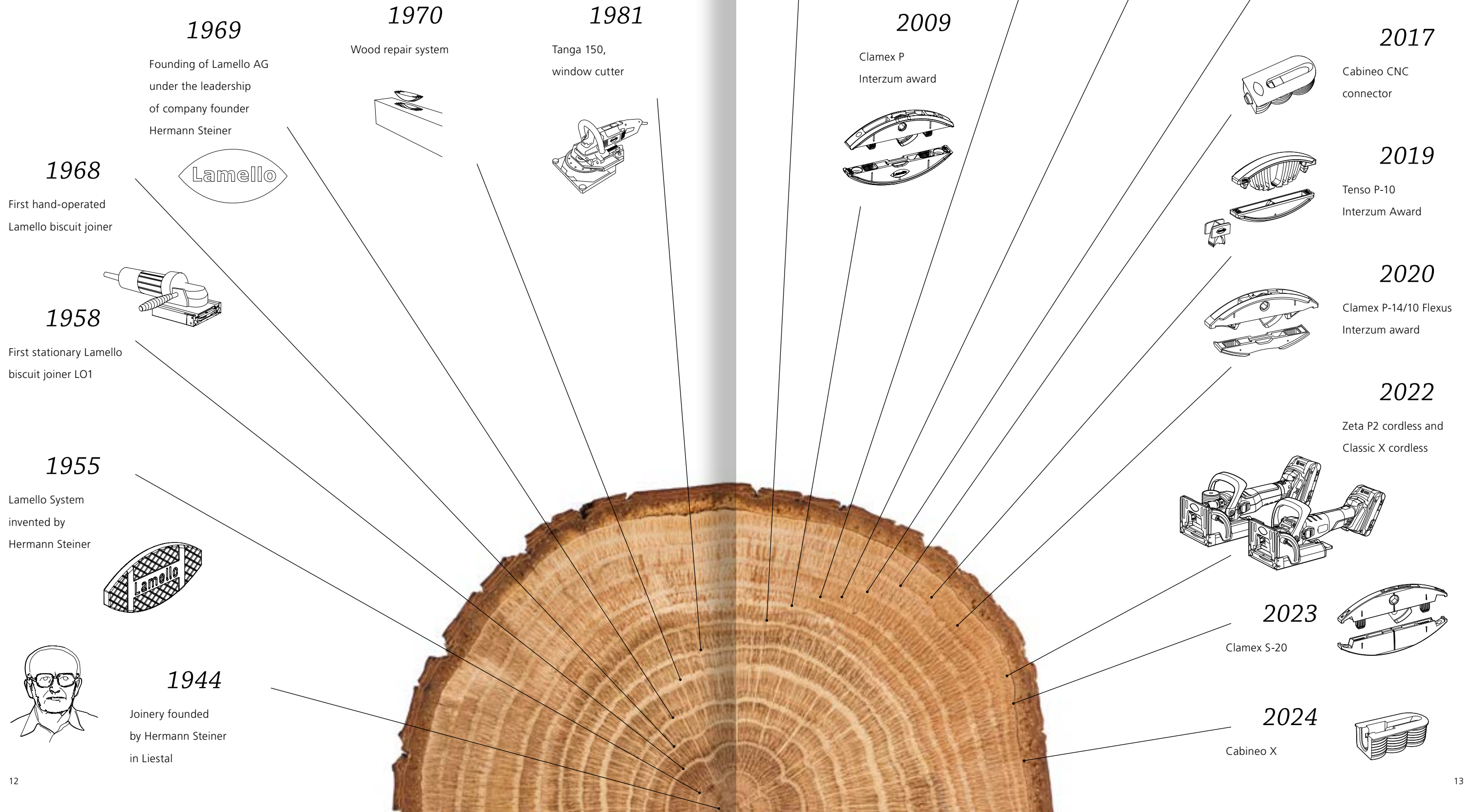
From planning and design to the right tool to machine with the CNC machine: more than 40 industry-leading partner companies support the efficient use and integration of our products into your production.



Looking back. Thinking ahead.

Every milestone starts with an idea. However, revolutionary ideas do not just come about easily. It is only through many years of practical knowledge and intensive development working together with our

customers that we have been able to constantly come up with new solutions, and in so doing decisively shape the market for wood joining technology and wood processing to this day.



In the centre: the customer

Lamello AG products are distributed and utilised globally. Cabinet makers, joiners, furniture manufacturers, carpenters, shop-fitters, furniture designers, kitchen manufacturers and many more have been using and relying on the innovative system solutions from Bubendorf for years. Some of these are longstanding business partners, who will be sharing some of their experiences with us. We appreciate the trust that we are met with and thank all our customers for the good teamwork.

Nils Ingwersen

Process Planning Manager
Carpentry Mario Beck, Hamburg, Germany

«Our customers are frequently enthusiastic about the rapid assembly when using the P-System.»

Roger Schneider

Site Manager, Tschudin AG, Münchenstein, Switzerland

«The Tenso has the advantage that it does not require any access holes, because it is self-clamping. This makes it the ideal connector for glued furniture without the use of additional screw clamps.»

Hannes Kofler

Owner and Managing Director, Joinery workshop Kofler, St. Felix, Italy

«We previously lacked the right fitting for this application. The Clamex P-14/10 Flexus solved this problem. The connector came exactly at the right time, and has filled this gap very much to our satisfaction.»

Jeffrey De Smet

Self-employed carpenter, Artisanal interior furniture maker, Belgium

«One day a customer placed an order for me to build a staircase, and I was looking for an easy-to-use system that saved me time and enabled me to work independently. With Tenso, all you have to do is to glue it, put the parts together and you're ready to go.»

Andreas Kuhlmann

Managing Director, Adolf Kuhlmann furnishing workshops, Schwerin, Germany

«Lamello is an asset to us because it allows us to expand our possibilities.»

John Hampton

Production Manager, Artichoke, Somerset, England

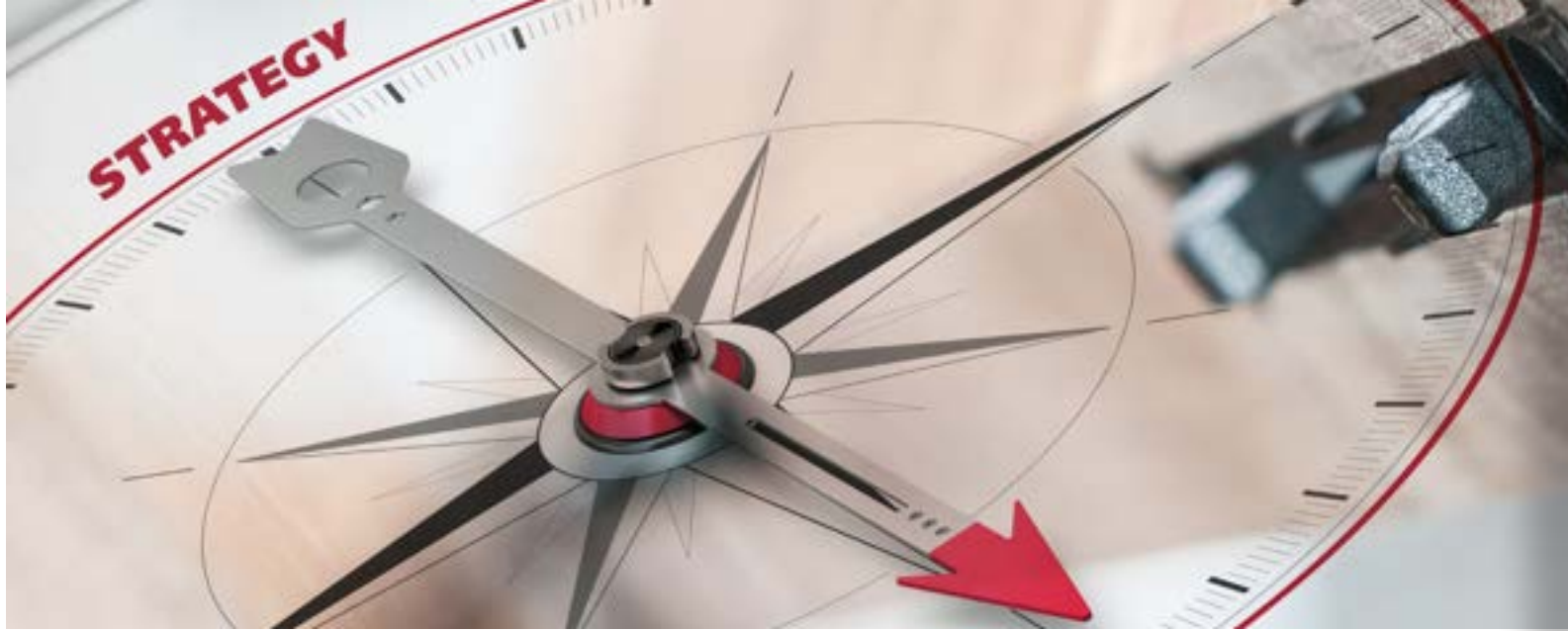
«Artichoke's pursuit of enhanced quality and improved efficiency has led it to the door of Swiss fixings specialist, Lamello.»

Günther Schweiger

Speedmaster Managing Director, Eberstälzell, Austria

«For us, the P System is the most innovative connector solution to have emerged in recent years.»





Joining technology with 3 systems



P-System

The **P-System** from Lamello is an innovative and award-winning joining method. Clamex, Tenso and Divario connecting fittings make an entirely new level of flexibility, speed and simplicity possible throughout the design, manufacturing, transport and installation process.

The connector's installation and anchorage system is based on the P-System profile groove. The P-System groove for the connector can be cut either using modern CNC technology or very simply by hand using the Zeta P2 power tool from Lamello.



Lamello System

The **Lamello System** is an exceptionally efficient, simple and precise joining system for various materials. It is based on a 4 mm groove and offers an enormous variety of joining solutions. The original wood biscuit has been supplemented by the self-clamping element, the clamping element and transparent plastic



Drilling System

element for solid surface materials. The same applies to the Clamex S-20 and Clamex S-18 detachable connectors. These can be easily assembled and disassembled. All connectors can be machined with the biscuit joiners Classic X, Top 21 and Zeta P2.

The **Cabineo** is a one-piece furniture connector and is installed into a drilled or routed shape. No edge drilling is necessary – the machining happens solely in the surface. Due to this, Cabineo can be used with all kinds of CNC machines, including very simple 3-axis and nesting machines.

Invis Mx2 is the unique connection that satisfies the highest demands for aesthetics, stability and productivity. With no visible openings, Invis Mx2 can be quickly detached and reconnected at any time via its magnet drive.

Our strengths



Independent & self-determined

In expanding our business, we constantly adapt to changing requirements. This helps us secure the long-term independence of our family company – it is a key element to maintaining our financial autonomy.



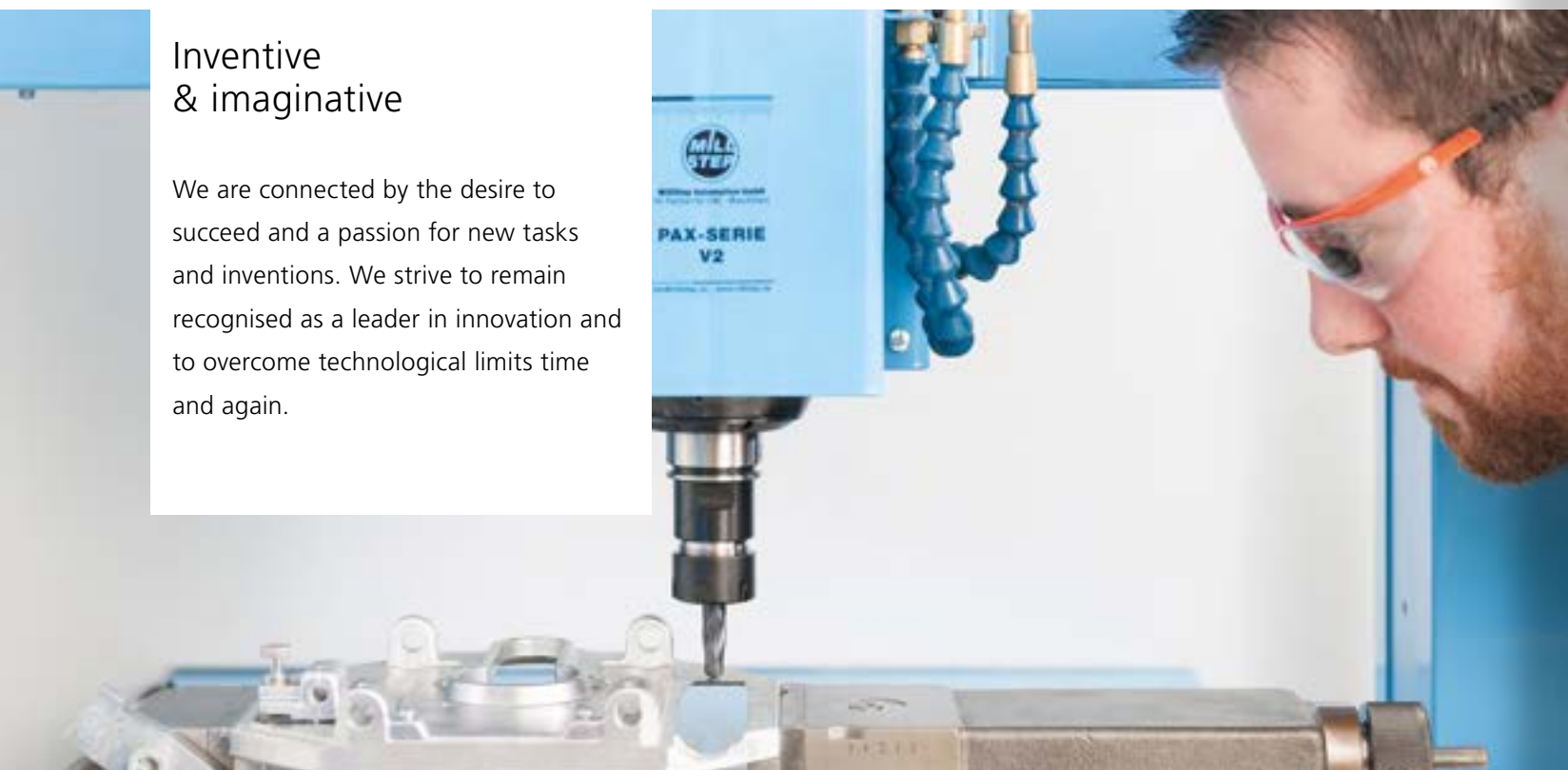
Personal & unconstrained

As a family company, we cultivate a culture of appreciation. We encourage initiative in our employees and support them in taking on new responsibilities. In striving for improvement we always look for fast and pragmatic solutions.



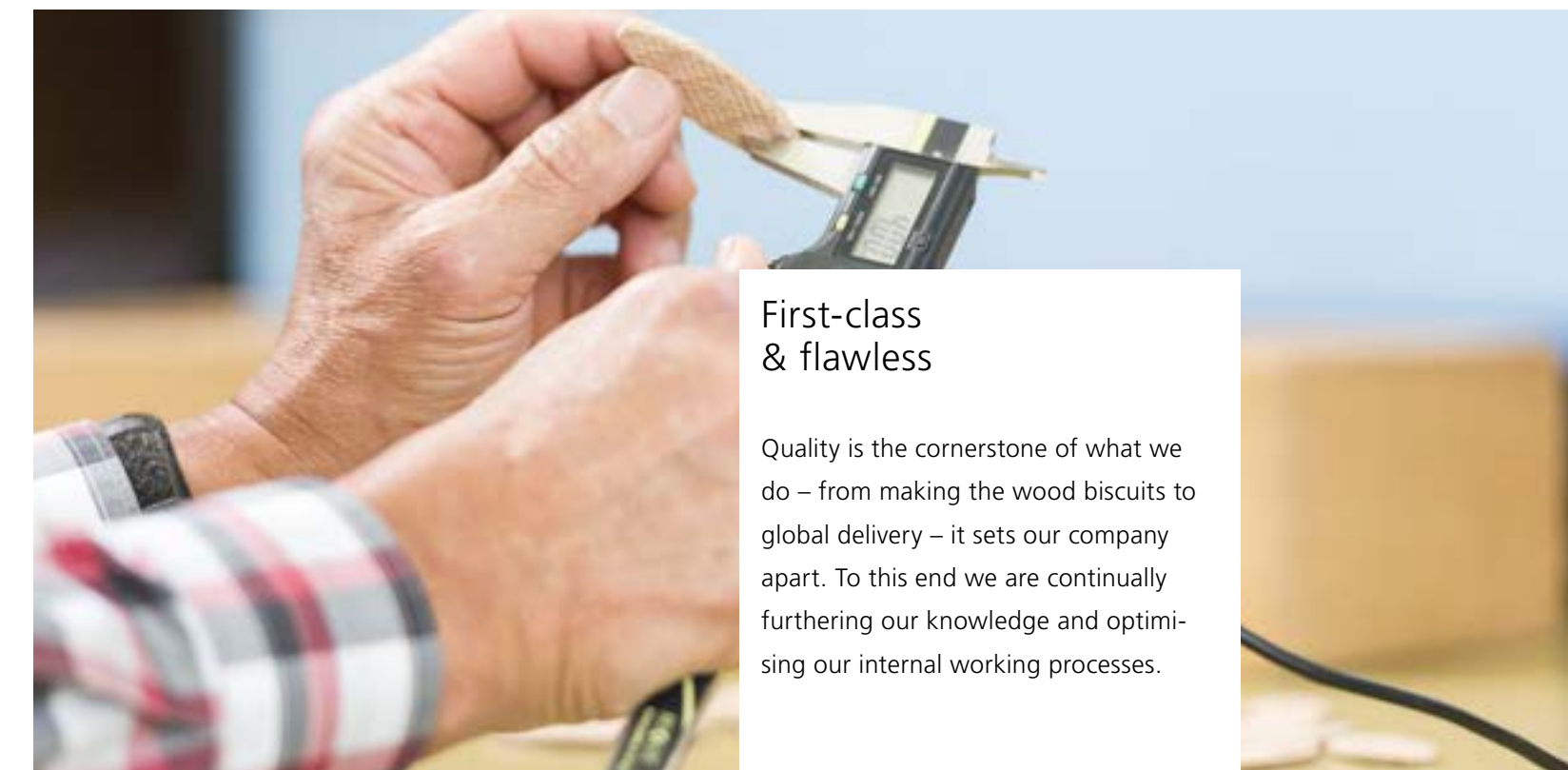
Inventive & imaginative

We are connected by the desire to succeed and a passion for new tasks and inventions. We strive to remain recognised as a leader in innovation and to overcome technological limits time and again.



First-class & flawless

Quality is the cornerstone of what we do – from making the wood biscuits to global delivery – it sets our company apart. To this end we are continually furthering our knowledge and optimising our internal working processes.



Systems

- P-System
- Lamello System
- Drilling System

Overview

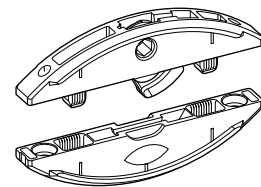
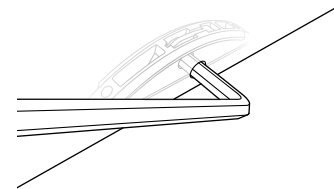
P-System	
Features	Connector

With P-System groove cutter



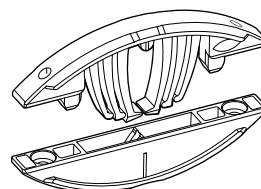
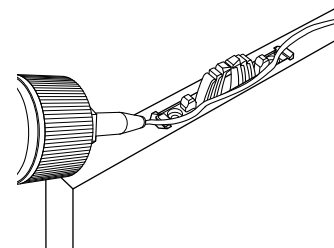
Detachable

Clamex P



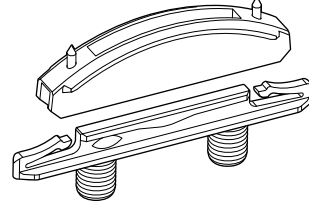
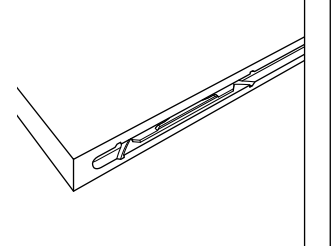
Glueing

Tenso P



Sliding insertion

Divario P



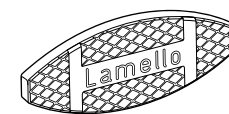
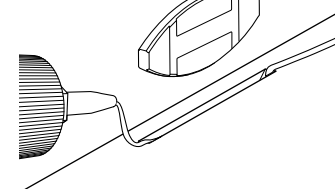
Lamello System	
Features	Connector

With 4 mm Lamello System groove cutter

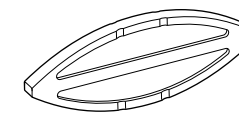


Glueing

Original wood biscuit

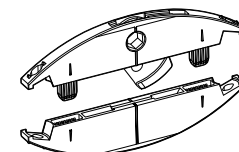
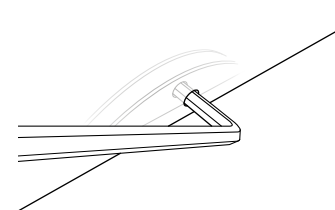


C20



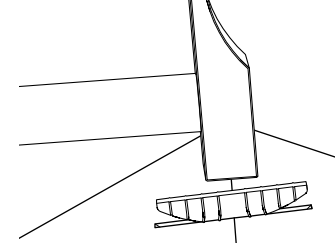
Detachable

Clamex S

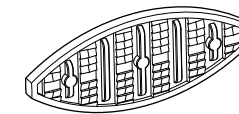


Inserted

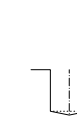
E20



K20

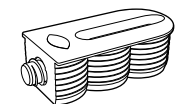
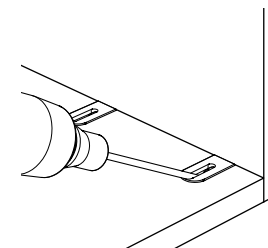


Drilling System	
Features	Connector



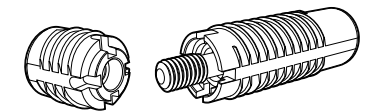
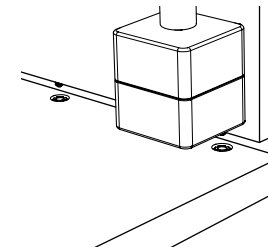
Detachable

Cabineo



Detachable

Invis Mx2

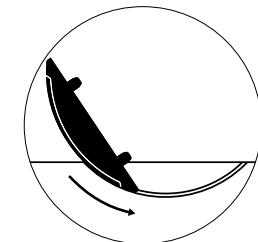


P-System

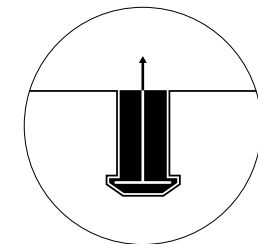
The time-saving joining system
with form-locking anchoring



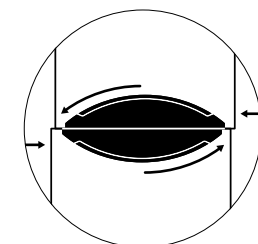
Features



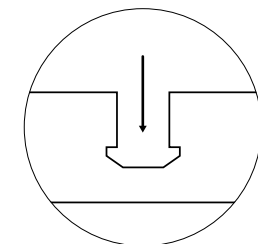
Fast installation
Inserting instead of
screwing or glueing



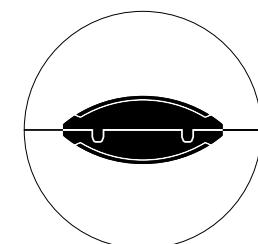
Strong
Form-locking
anchorage across
large surface areas



Lateral tolerance
Perfect, flush
alignment of both
workpieces



Shallow depth
Minimal cutting
depth with maximum
tensile strength

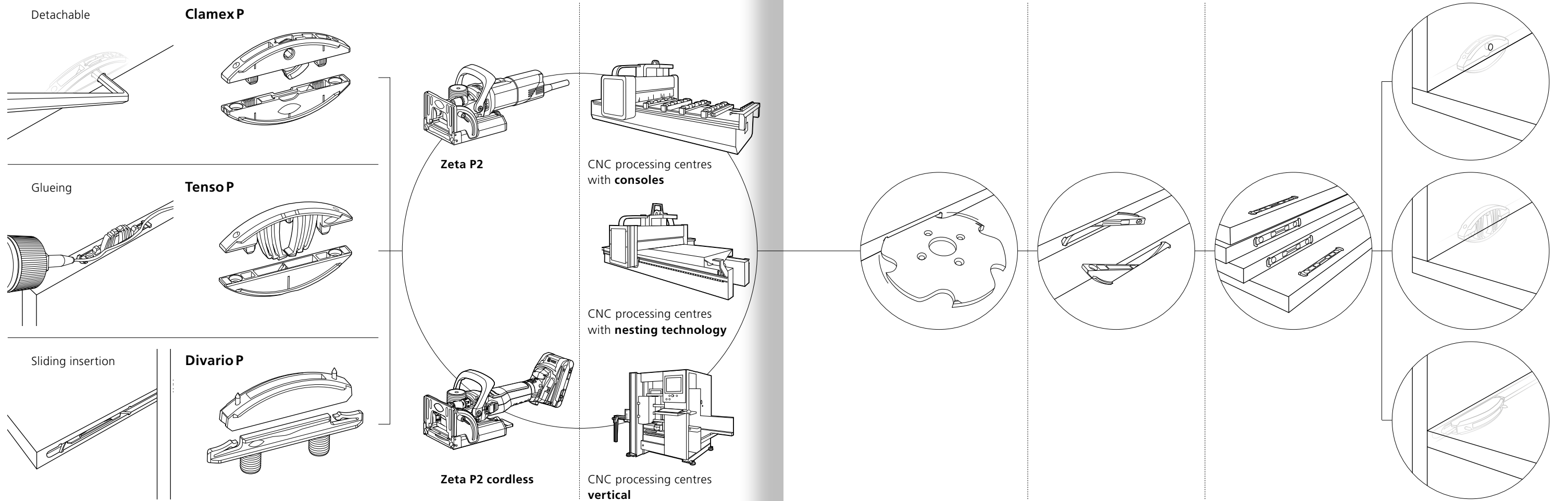


No twisting
The positioning
pins prevent
twisting without
additional dowels

P-System

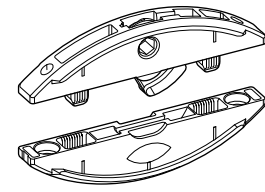
Overview

Features	Connector	Machines		Sequence			
		Power tool	CNC machines	1 Cut	2 Insert the connector	3 Deliver flat pack	4 Connect the workpieces



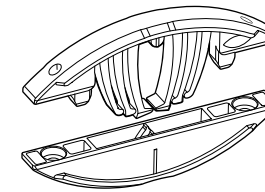
Connectors

Features overview



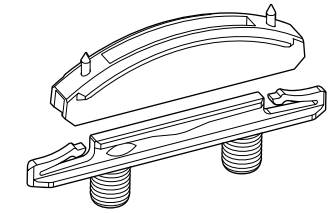
Clamex P

Detachable furniture connector



Tenso P

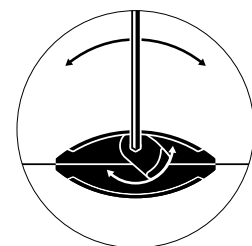
Self-clamping connector for glueing



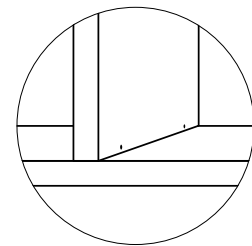
Divario P

Self-clamping, invisible connector for slide insertion

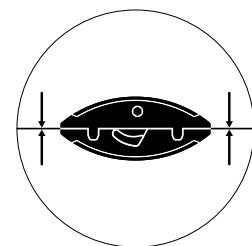
Features



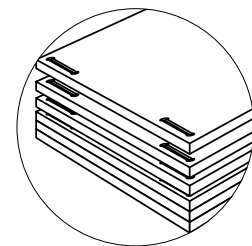
Detachable
Open the connection time and time again with the rotating lever



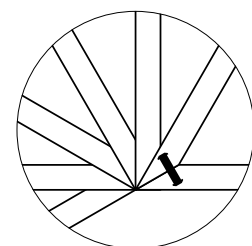
Aesthetic
The small, hardly visible opening ($\varnothing = 6\text{ mm}$) serves to close and open the connector



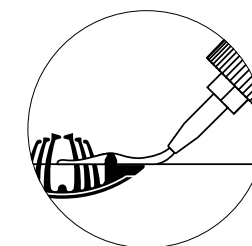
High clamping force
Clamp and glue workpieces at any angle, ~ 80 kg or 170 lb



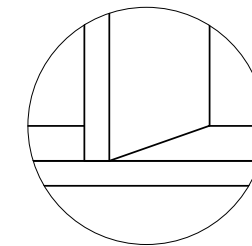
Stackable
Workpieces with pre-installed P-System connectors are stackable for storage and transport



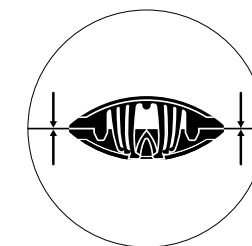
Versatile
The shallow element depth allows for mitres from 22.5 – 180°, surface, corner and dividing panel connections



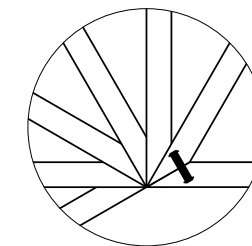
Glueing
Fixed joints of two workpieces



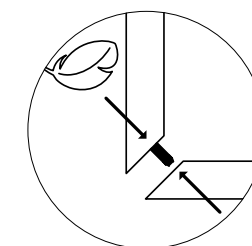
Invisible
No visible connector



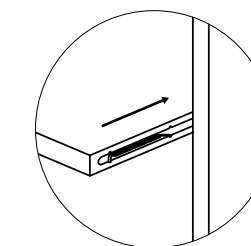
High clamping force
Allows for perfect alignment and clamps the workpieces ~ 15 kg or 30 lb



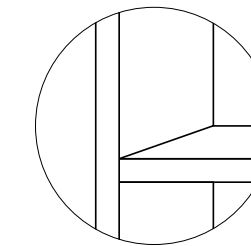
Versatile
Simple glueing of mitre joints



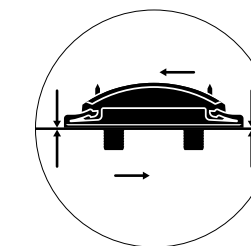
Lower assembly force
In combination with the pretension clip, only a short force impulse is required to snap it into place



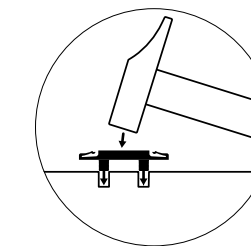
Sliding insertion
Insertion between two fixed sides or shelves via a guiding groove



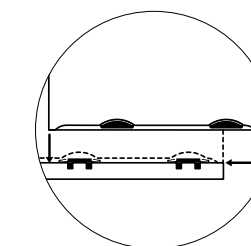
Invisible
Guiding groove covers the connectors



Clamped joint
No resistance while inserting until shortly before building the clamping force



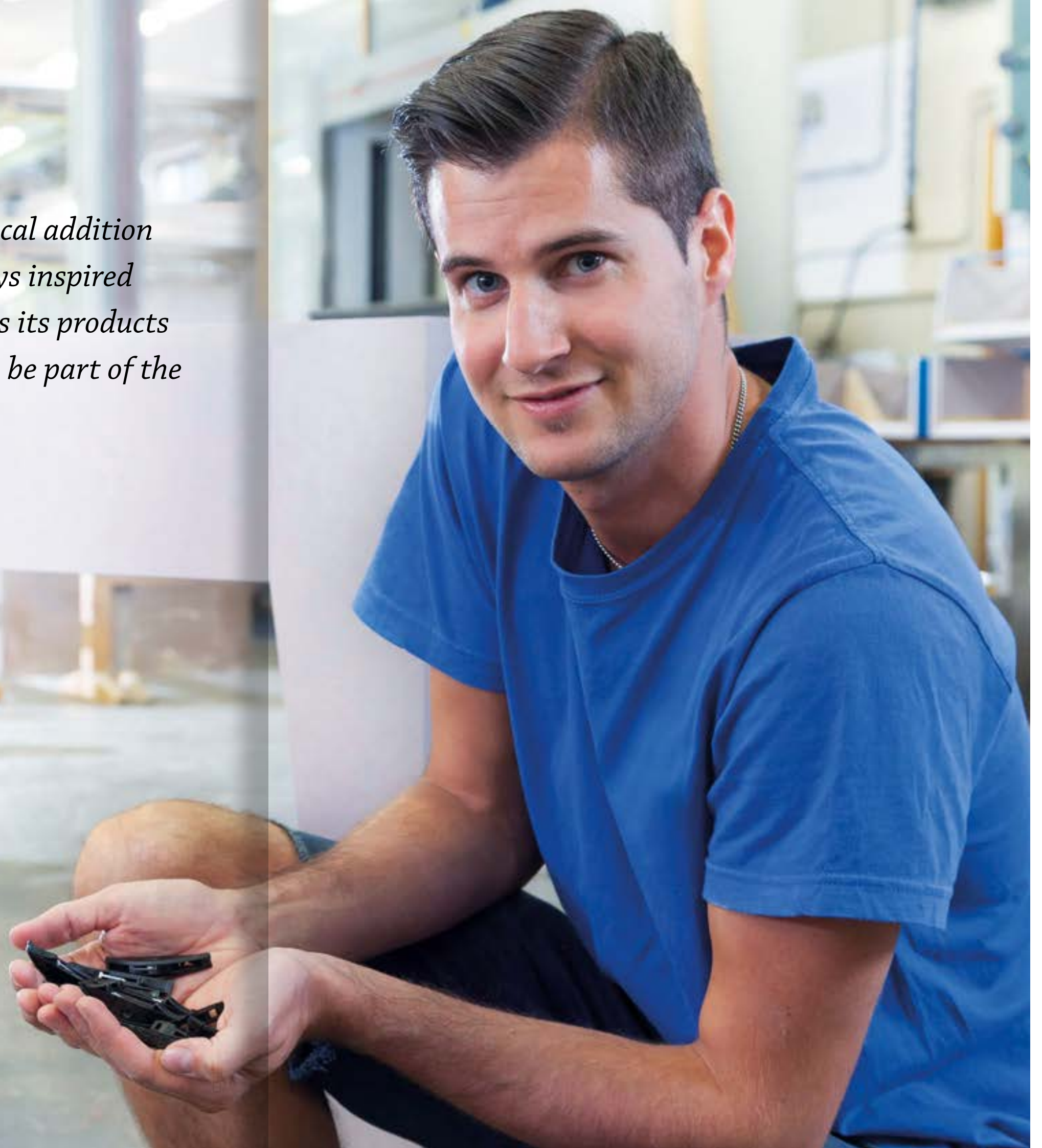
Fast installation
Quick installation of the connectors without glue after transport



Assemble by sliding
Partially routed guiding groove for completely invisible furniture joints

« The Clamex P-14/10 Flexus is a logical addition to the P-System range. We are always inspired anew by how reliably Lamello tailors its products to customer needs, and are happy to be part of the Lamello family. »

Hannes Kofler, Owner and Managing Director, Joinery workshop Kofler, Italy



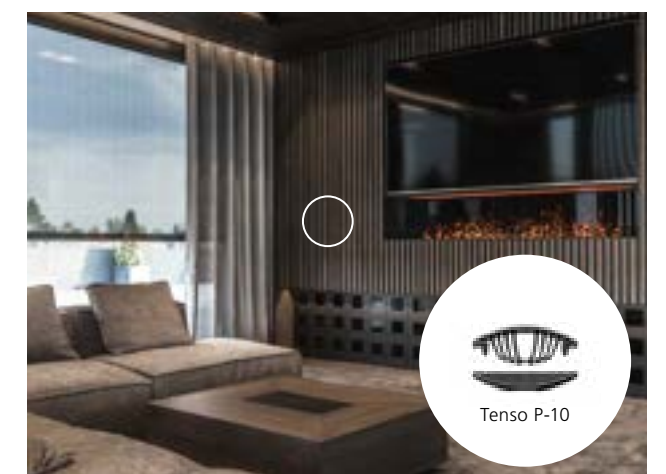
P-System

Applications

Furniture manufacturing



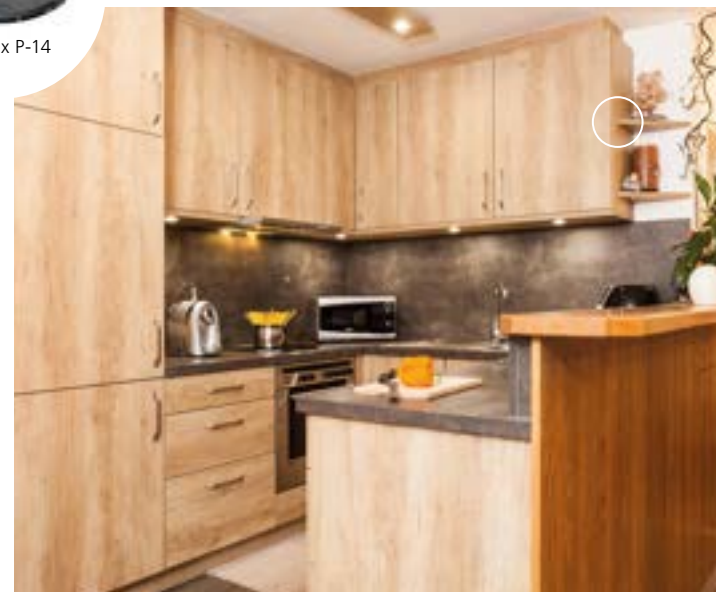
Interior fitting



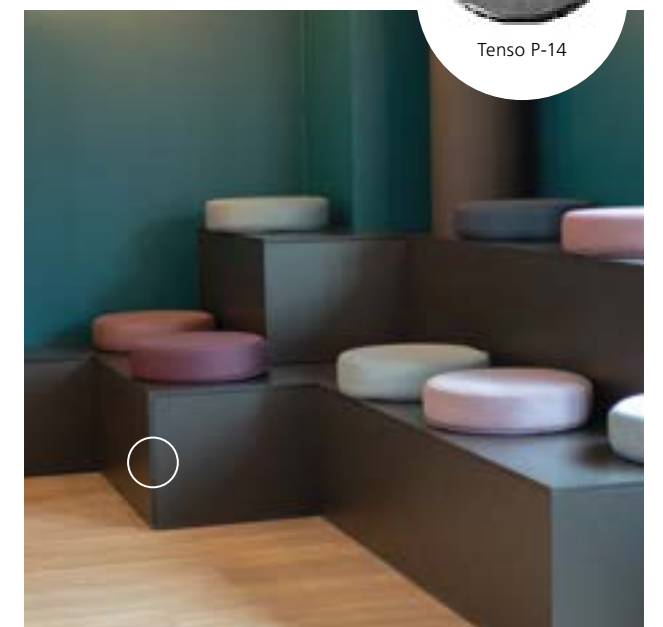
P-System

Applications

Kitchen manufacturing



Commercial joinery



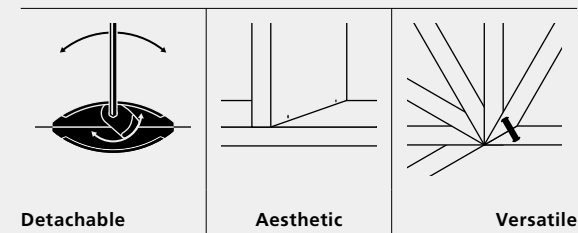
Shop fitting

Clamex P-14

Detachable furniture connector



Features



Detachable Aesthetic Versatile

Clamex P-14 is a detachable connector and is anchored in the form-locking P-System groove within seconds.

Through the minimalist 6 mm access hole, Clamex P-14 is firmly connected and disconnected using a lever.

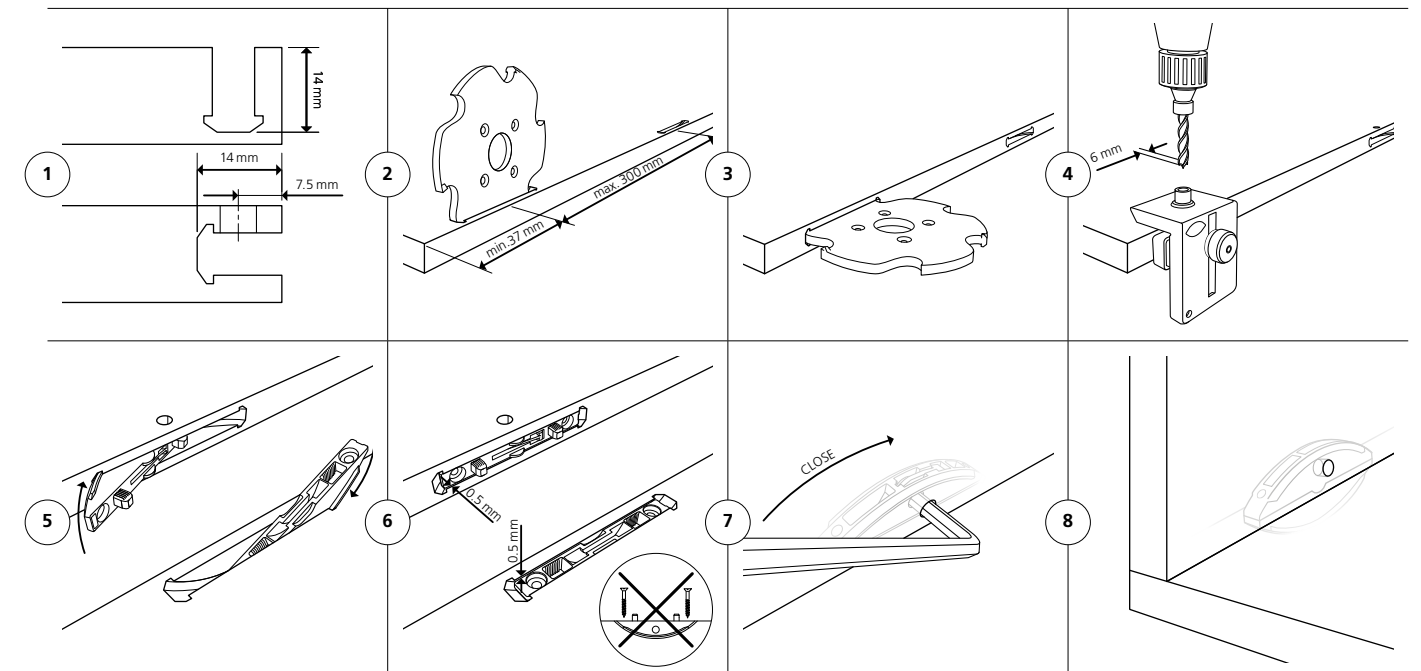
Clamex P-14 eliminates the need for glue, allows aesthetic joints at all angles and is ideal for permanently joined or detachable mitres. Clamex P-14 is used on mitre joints from 18 mm material thickness and in butt joints from 15 mm.

Articles



Clamex P-14	Art. No.
80 pairs	145334
300 pairs	145346
1000 pairs	145356
2000 pieces element with lever	145338
2000 pieces element without lever	145339

Function



Technical data

Joining methods	Size	64 × 27 × 9.7 mm		
≥ 15 mm	Cutter	Ø 100.4 × 7 × Ø 22 mm		
≥ 18 mm	Material connector	Fiberglass reinforced plastic		
≥ 29 mm	Material of lever	Zinc die cast		
≥ 12 mm	Installation tolerance	Long. ± 1 mm/radial ± 1 mm		
	Tensile strength (N)	MDF	Particle board	Beech
	Up to	1210 ¹	1070 ¹	1870 ¹
	Material range	Particle board, MDF, plywood, softwood, hardwood etc.		

See PAGE 66 for technical specifications | 90° and 45° cover caps are available in a variety of colours PAGE 70-71

¹ See comment on load limits on PAGE 189

www.lamello.com
Experience the connector live and receive comprehensive product information!

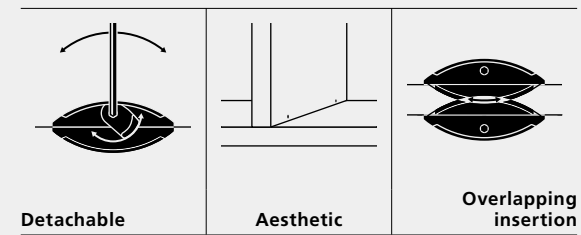


Clamex P-14/10 Medius

Detachable connector for centre panels for materials from 16 mm thickness



Features



Clamex P-14/10 Medius is a detachable connector and is anchored in the form-locking P-System groove within seconds.

Through the minimalist 6 mm access hole, Clamex P-14/10 Medius is firmly connected and disconnected using a lever.

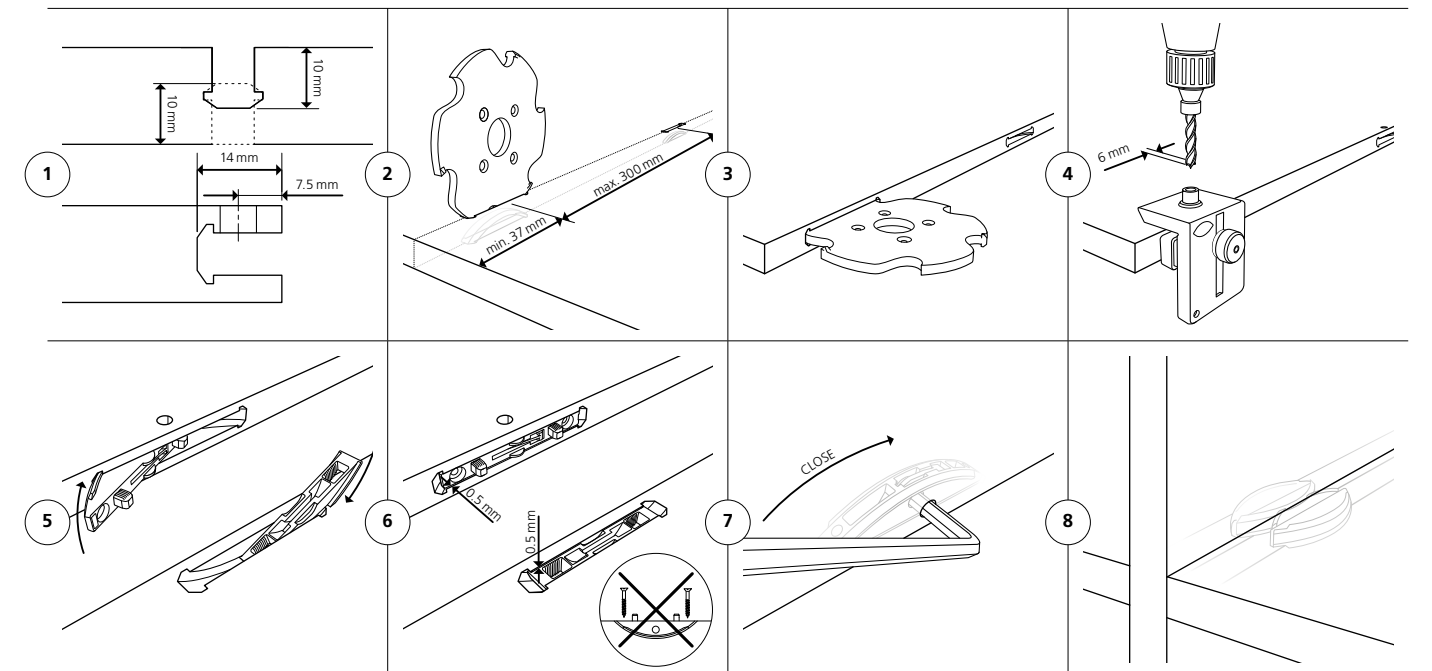
The connector for divisions has two installation depths and is used when two shelves are attached to the same dividing panel at the same height. Due to the reduced installation depth of 10 mm, the minimal thickness for the division is 16 mm.

Articles



Clamex P-14/10 Medius	Art. No.
80 pairs	145370
300 pairs	145371
1000 pairs	145357
2000 pieces element with lever	145338
2000 pieces element without lever	145369

Function



Technical data

Joining methods	Size	64 × 13.5 × 9.7 mm 52 × 7.5 × 9.7 mm
≥ 12 mm	Cutter	Ø 100.4 × 7 × Ø 22 mm
≥ 18 mm	Material connector	Fiberglass reinforced plastic
≥ 16 mm	Material of lever	Zinc die cast
≥ 11 mm	Installation tolerance	Long. ± 1 mm/radial ± 1 mm
18 mm	Tensile strength (N)	MDF 810 ¹ Particle board 620 ¹ Beech 1100 ¹
≥ 12 mm	Material range	Particle board, MDF, plywood, softwood, hardwood etc.

www.lamello.com

Experience the connector live and receive comprehensive product information!

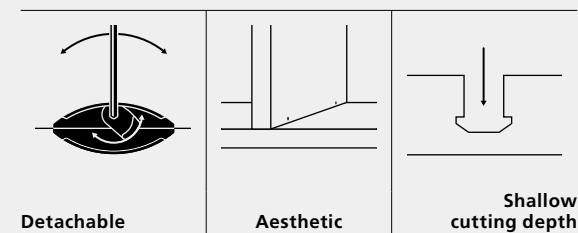


Clamex P-10

Detachable connector for materials from 12 mm thickness



Features



Clamex P-10 is a detachable connector and is anchored in the form-locking P-System groove within seconds.

Through the minimalist 6 mm access hole, Clamex P-10 is firmly connected and disconnected using a lever.

Clamex P-10 eliminates the need for glue, allows aesthetic joints at all angles and is ideal for permanently joined or detachable mitres.

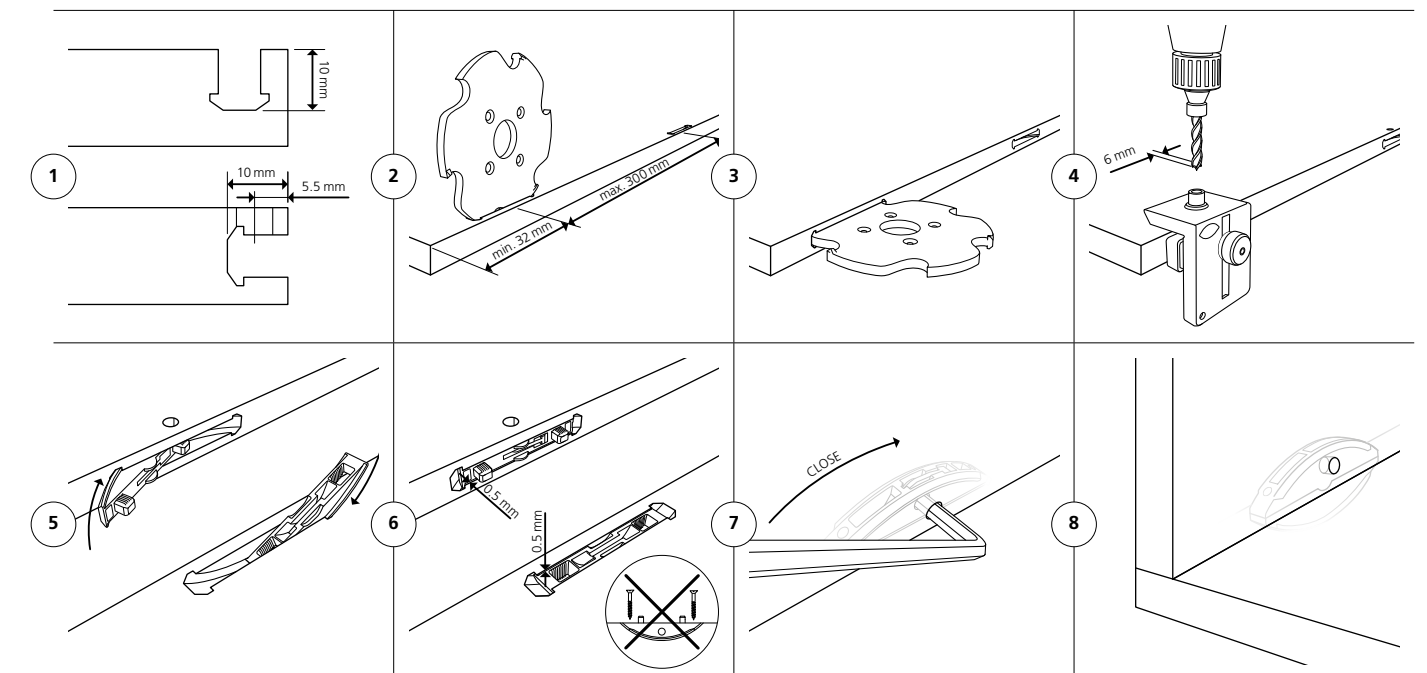
Clamex P-10 is used on mitre joints from 15 mm material thickness and in butt joints from 12 mm.

Articles



Clamex P-10	Art. No.
80 pairs	145372
300 pairs	145373
1000 pairs	145374
2000 pieces element without lever	145358

Function



Technical data

Joining methods	Size	52 × 19 × 9.7 mm		
	Cutter	Ø 100.4 × 7 × Ø 22 mm		
	Material connector	Fiberglass reinforced plastic		
	Material of lever	Zinc die cast		
	Installation tolerance	Long. ± 0.5 mm/radial ± 0.5 mm		
	Tensile strength (N) Up to	MDF 700 ¹	Particle board 540 ¹	Beech 900 ¹
	Material range	Particle board, MDF, plywood, softwood, hardwood etc.		

www.lamello.com

Experience the connector live and receive comprehensive product information!

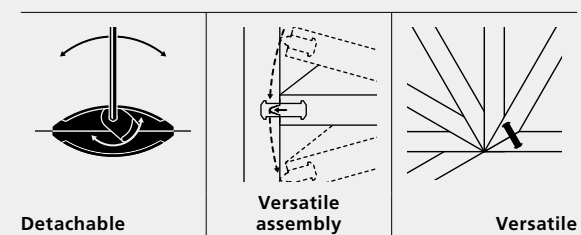


Clamex P-14/10 Flexus

Detachable furniture connector with flexible positioning pins



Features



Clamex P-14/10 Flexus is a detachable connector and is anchored in the form-locking P-System groove within seconds.

Through the minimalist 6 mm access hole, Clamex P-14/10 Flexus is firmly connected and disconnected using a lever.

The flexible positioning pins allow work pieces to be installed in an already assembled cabinet, simplifying the assembly sequence.

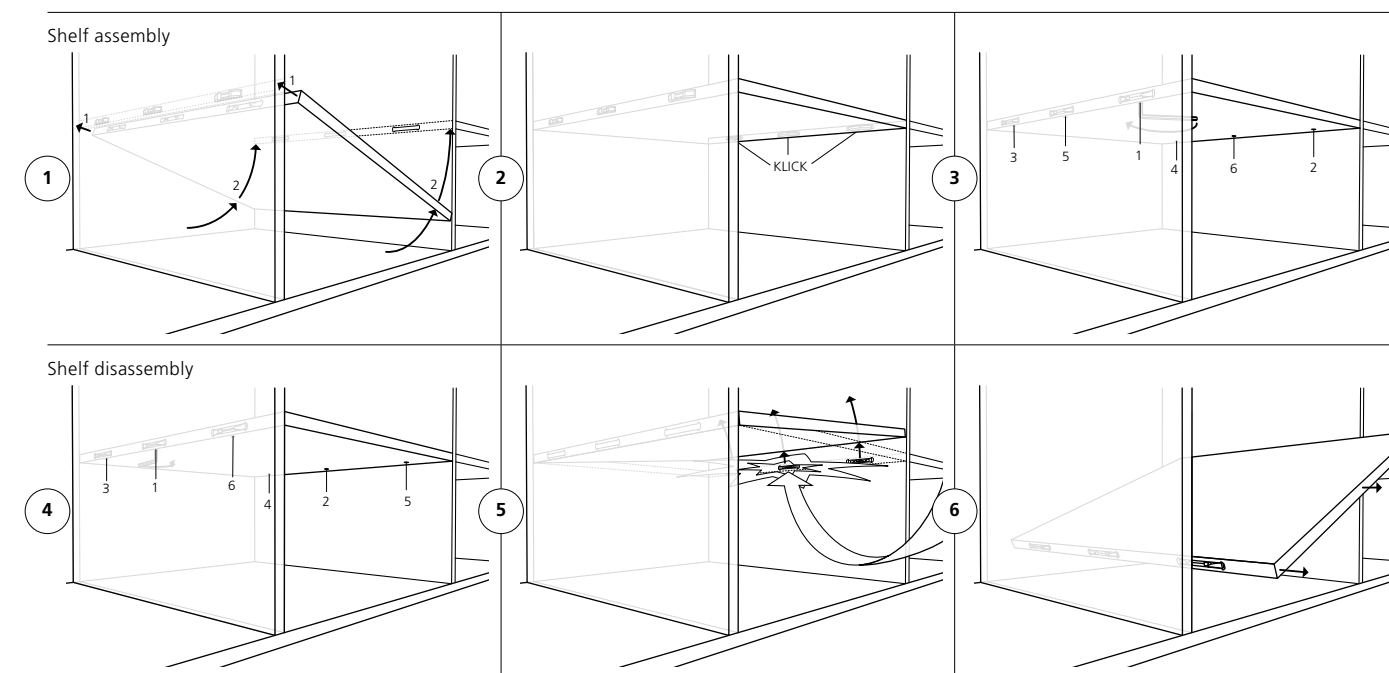
Clamex P-14 is used in mitre joints from 18 mm material thickness and in butt joints from 12 mm.

Articles



Clamex P-14/10 Flexus	Art. No.
80 pairs	145315
300 pairs	145316
1000 pairs	145317
2000 pieces element with lever	145318
2000 pieces element without lever	145369

Function



Technical data

Joining methods	Size	64 × 13.5 × 9.7 mm 52 × 7.5 × 9.7 mm
≥ 11 mm	Cutter	Ø 100.4 × 7 × Ø 22 mm
≥ 18 mm	Material connector	Fiberglass reinforced plastic
≥ 16 mm	Material of lever	Zinc die cast
≥ 12 mm	Installation tolerance	Long. ± 0 mm/radial ± 1 mm
	Tensile strength (N)	MDF 790 ¹ Particle board 710 ¹ Beech 1190 ¹
	Material range	Particle board, MDF, plywood, softwood, hardwood etc.

www.lamello.com
Experience the connector live and receive comprehensive product information!

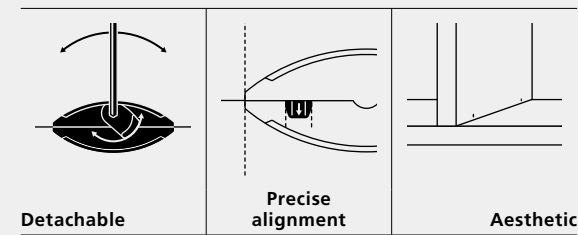


Clamex P-14 CNC

Detachable furniture connector with precise alignment



Features



Clamex P-14 CNC is a detachable connector and is anchored in the form-locking P-System groove within seconds. Through the minimalist 5 mm access hole, Clamex P-14 is firmly connected and disconnected using a lever.

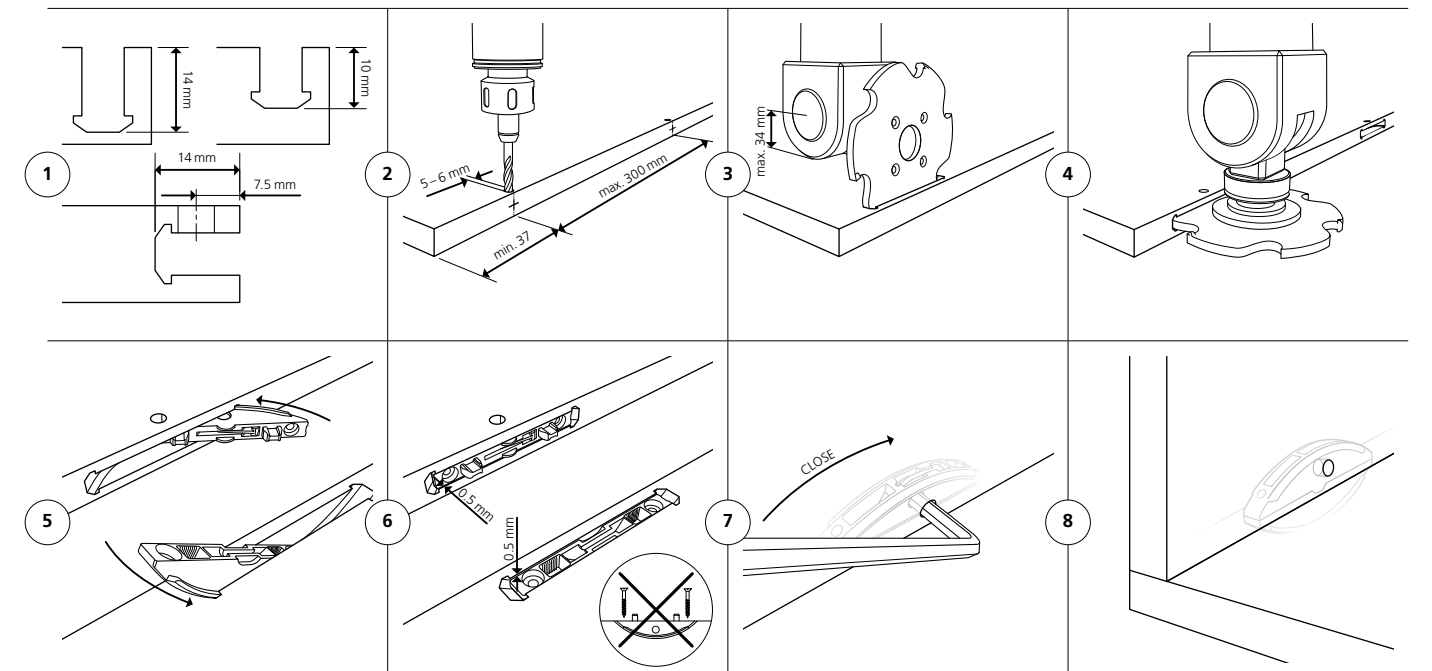
Clamex P-14 CNC is ideal for production on CNC machines and, unlike Clamex P-14, is automatically aligned during assembly.

Clamex P-14 CNC is used in mitre joints from 18 mm material thickness and in butt joints from 12 mm.

Articles



Function



Technical data

Joining methods	Size	64 × 13.5 × 9.7 mm
	Cutter	Ø 100.4 × 7 × Ø 22 mm
	Material connector	Fiberglass reinforced plastic
	Material of lever	Zinc die cast
	Installation tolerance	Long. ± 0 mm/radial ± 1 mm
	Tensile strength (N)	Depending on the connector combination
	Material range	Particle board, MDF, plywood, softwood, hardwood etc.
	Up to	

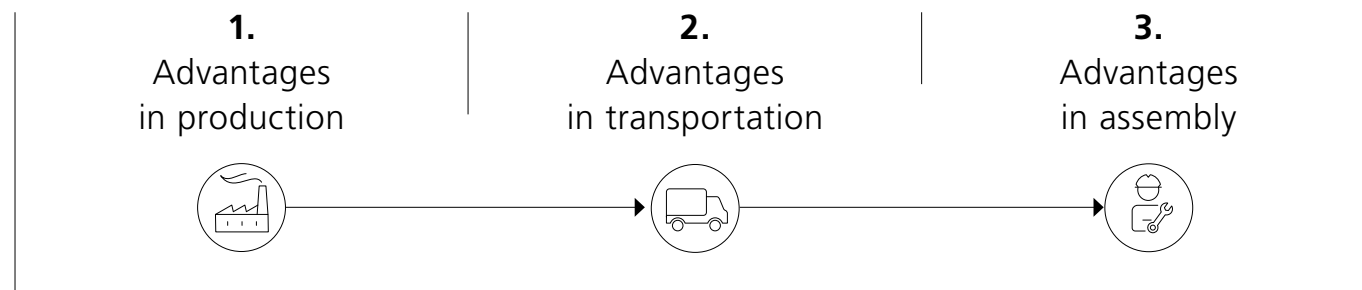
www.lamello.com

Experience the connector live and receive comprehensive product information!



Advantages of the Clamex P

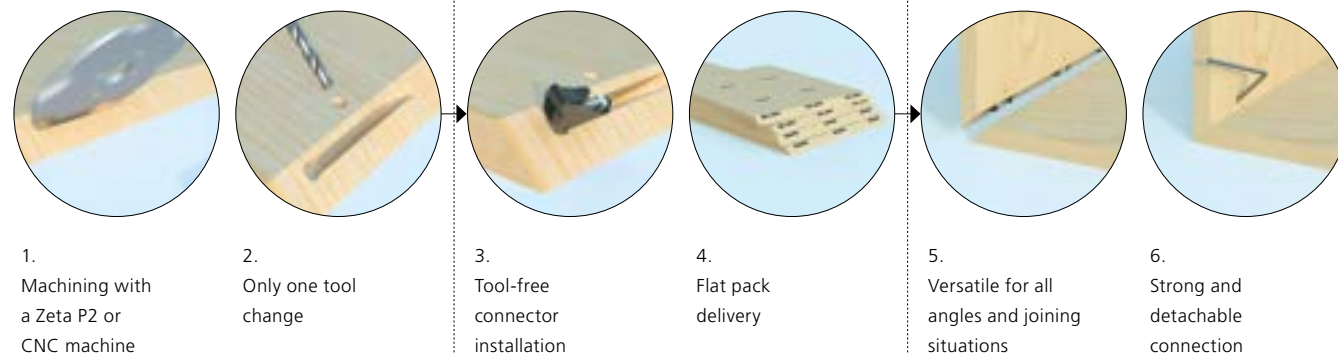
Detachable furniture connector



- Machining possible with Zeta P2 or CNC machinery
- Only one tool change from P-System cutter to 6 mm drill
- Same groove everywhere: whether corner connection, shelf, centre panel or mitres
- Consistently competent partners: from CAD to CAM and CNC

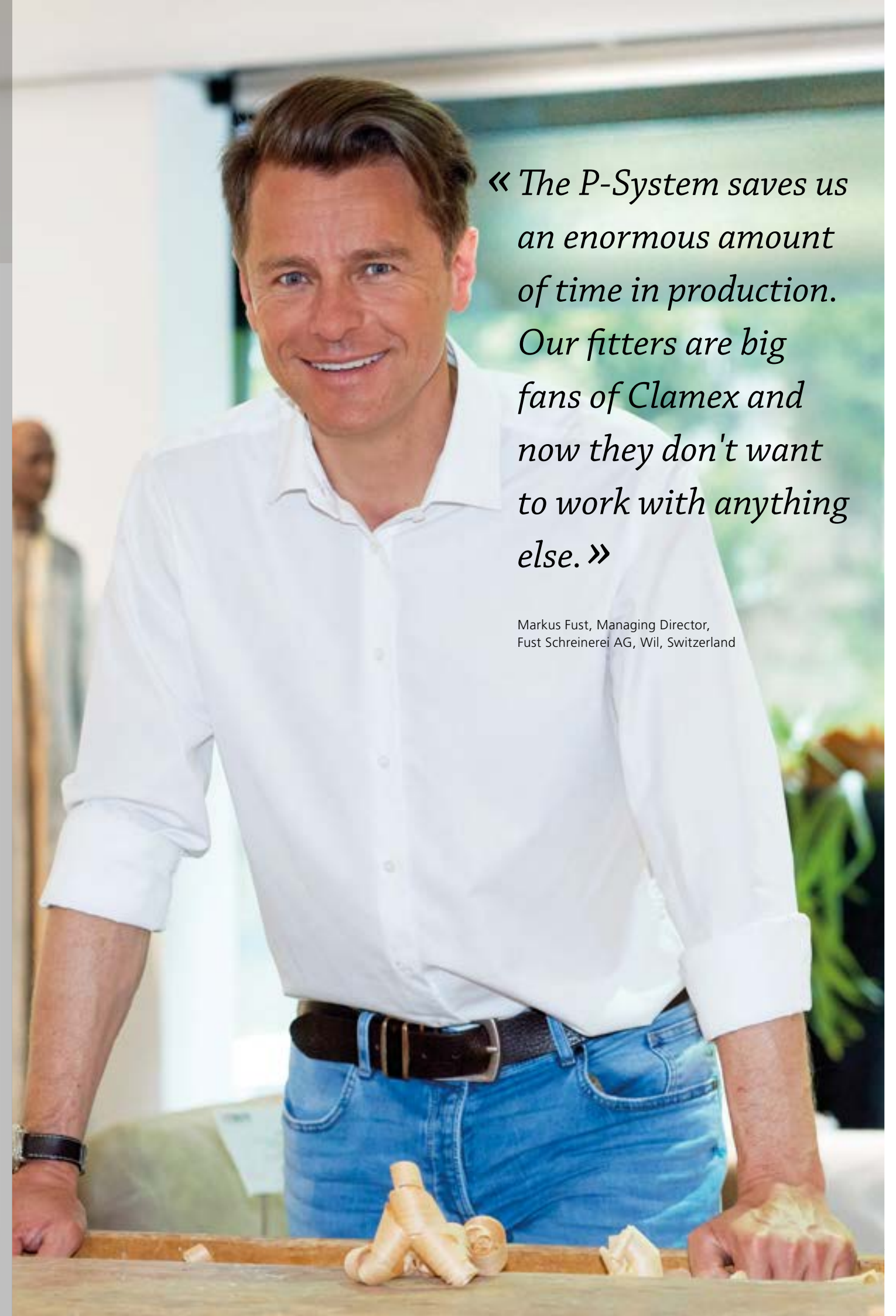
- Tool-free connector installation
- Workpieces with pre-installed P-System connectors are stackable for storage and transport
- No extra bags or loose hardware required with furniture shipment
- Tool-free connector disassembly for surface treatment

- Simple positioning of workpieces thanks to positioning pins
- Easy assembly with an Allen key
- Aesthetically small, barely visible hole (Ø = 6 mm)
- Open the connection time and time again with the rotating lever
- Lateral tolerance perfect, flush alignment of both workpieces



« The P-System saves us an enormous amount of time in production. Our fitters are big fans of Clamex and now they don't want to work with anything else. »

Markus Fust, Managing Director,
Fust Schreinerei AG, Wil, Switzerland

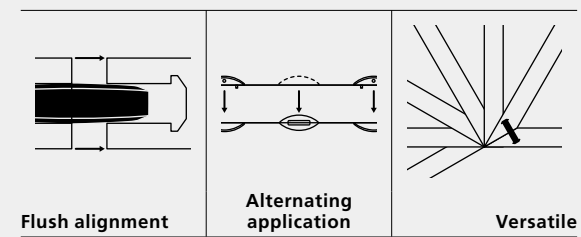


Bisco P

Aligning element, suitable for the P-System groove




Features



Bisco P is a plastic biscuit which fits into the 7 mm P-System groove and is held in the groove due to its surface structure. Bisco P is used in combination with Clamex or Tenso as a cost-effective alignment element and ensures flushness of the joint. The Bisco can also be used as a dry joint as a test before the work piece is permanently joined with Tenso P and adhesive.

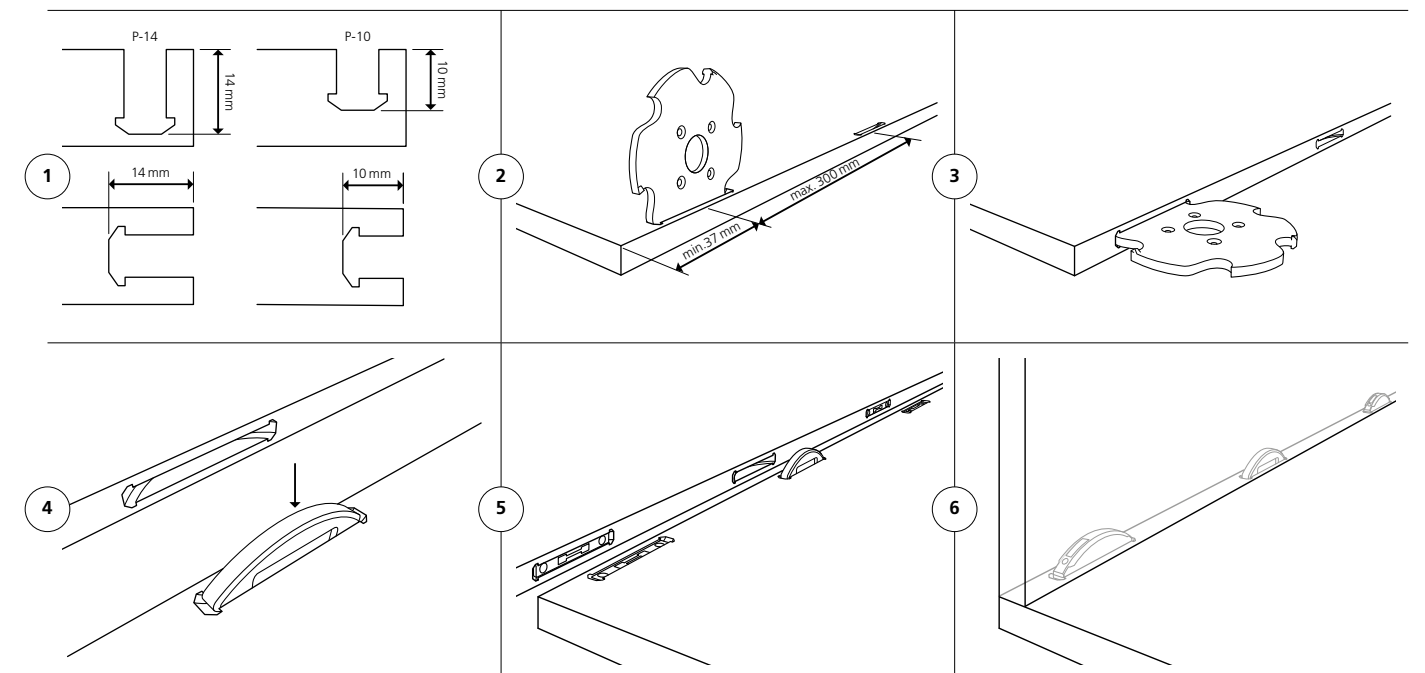
Bisco P-14 is used in combination with Clamex P-14 or Tenso P-14; and Bisco P-10 with the same connectors in size P-10.

Articles

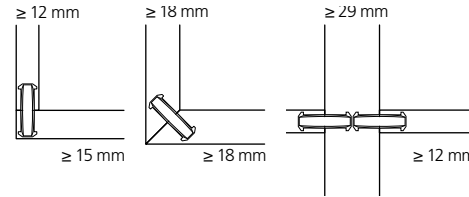
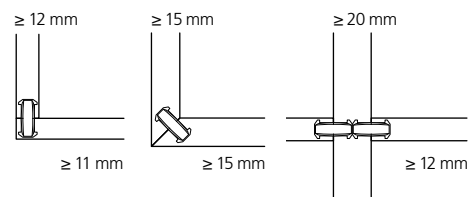
	Bisco P-14	Art. No.
	80 pieces	145301
	300 pieces	145302
	1000 pieces	145303

	Bisco P-10	Art. No.
	80 pieces	145304
	300 pieces	145305

Function



Technical data

Joining methods	Bisco P-14
	Size: 65 × 27 × 7 mm
	Cutter: Ø 100.4 × 7 × Ø 22 mm
	Material connector: Plastic
	Installation tolerance: Long. ± 2 mm
	Tensile strength (N): Depending on the connector combination
Joining methods	Bisco P-10
	Size: 52 × 19 × 7 mm
	Cutter: Ø 100.4 × 7 × Ø 22 mm
	Material connector: Plastic
	Installation tolerance: Long. ± 2 mm
	Tensile strength (N): Depending on the connector combination
	Material range: Particle board, MDF, plywood, softwood, hardwood etc.

www.lamello.com
Experience the connector live and receive comprehensive product information!

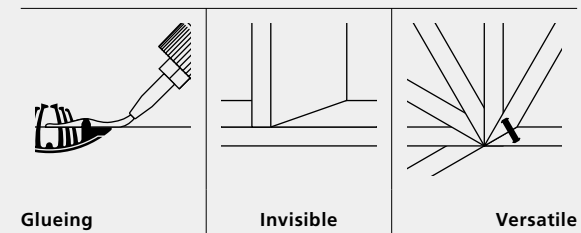


Tenso P-14

Self-clamping connector for glueing materials from 16 mm thickness



Features



Tenso P-14 is a self-clamping glueing aid and is anchored in the form-locking P-System groove within seconds.

The high clamping force of Tenso leads to perfectly clamped joints without the need for clamps or presses, regardless of the angle of the work pieces.

Aesthetic joining is possible without visible connectors, with short assembly times and without the need to wait for the glue to dry. Tenso P-14 is used on mitre joints from 18 mm material thickness and in butt joints from 15 mm.

Articles

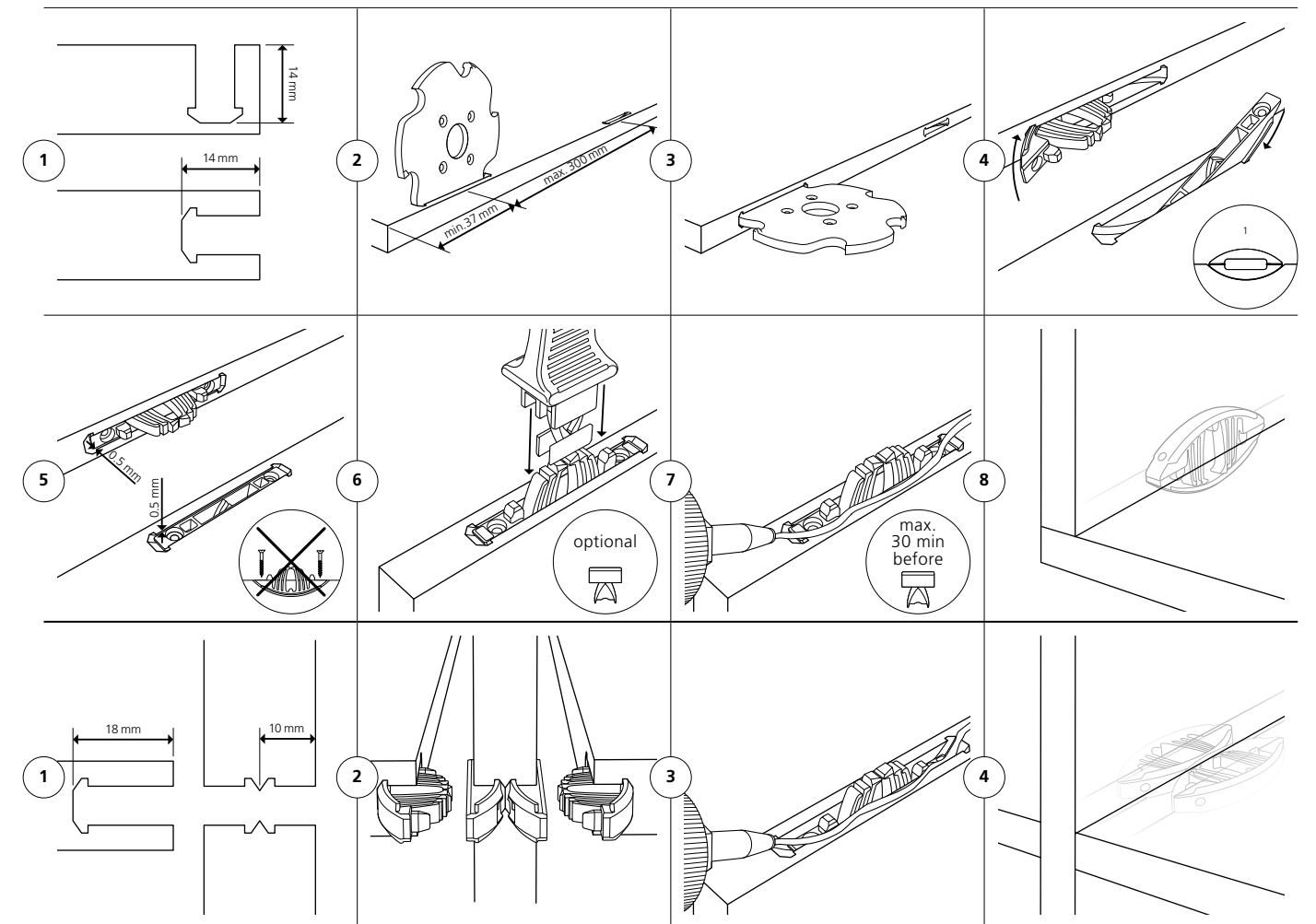


Tenso P-14	Art. No.
80 pairs	145415
80 pairs, with preload clip	145415S
300 pairs	145425
300 pairs, with preload clip	145425S
1000 pairs	145435
2000 pieces element with spring	145440
2000 pieces element without spring	145441



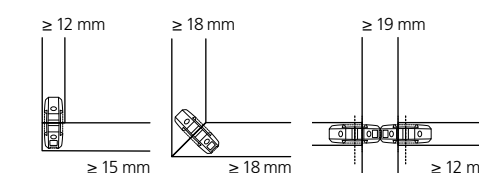
Tenso P-14 preload clip	Art. No.
300 pieces	145426
1000 pieces	145436

Function



Technical data

Joining methods



Size	66 × 27 × 9.7 mm
Cutter	Ø 100.4 × 7 × Ø 22 mm
Material connector	Fiberglass reinforced plastic
Installation tolerance	Long. ± 1 mm/radial ± 1 mm
Tensile strength (N)	Depending on the adhesive
Material range	Particle board, MDF, plywood, softwood, hardwood etc.

www.lamello.com

Experience the connector live and receive comprehensive product information!

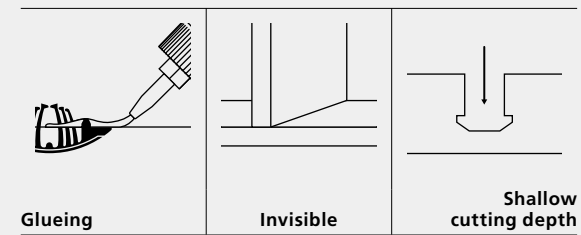


Tenso P-10

Self-clamping connector for glueing thin materials from 12 mm thickness



Features



Tenso P-10 is a self-clamping connector to glue and is anchored in the form-locking P-System groove within seconds.

The high clamping force of Tenso leads to perfectly clamped joints without clamps or presses, regardless of the angle of the work pieces.

Aesthetic joining is possible without visible connectors, with short assembly times and without having to wait or the glue to dry. Tenso P-10 is used on mitre joints from 15 mm material thickness and in butt joints from 12 mm.

Articles

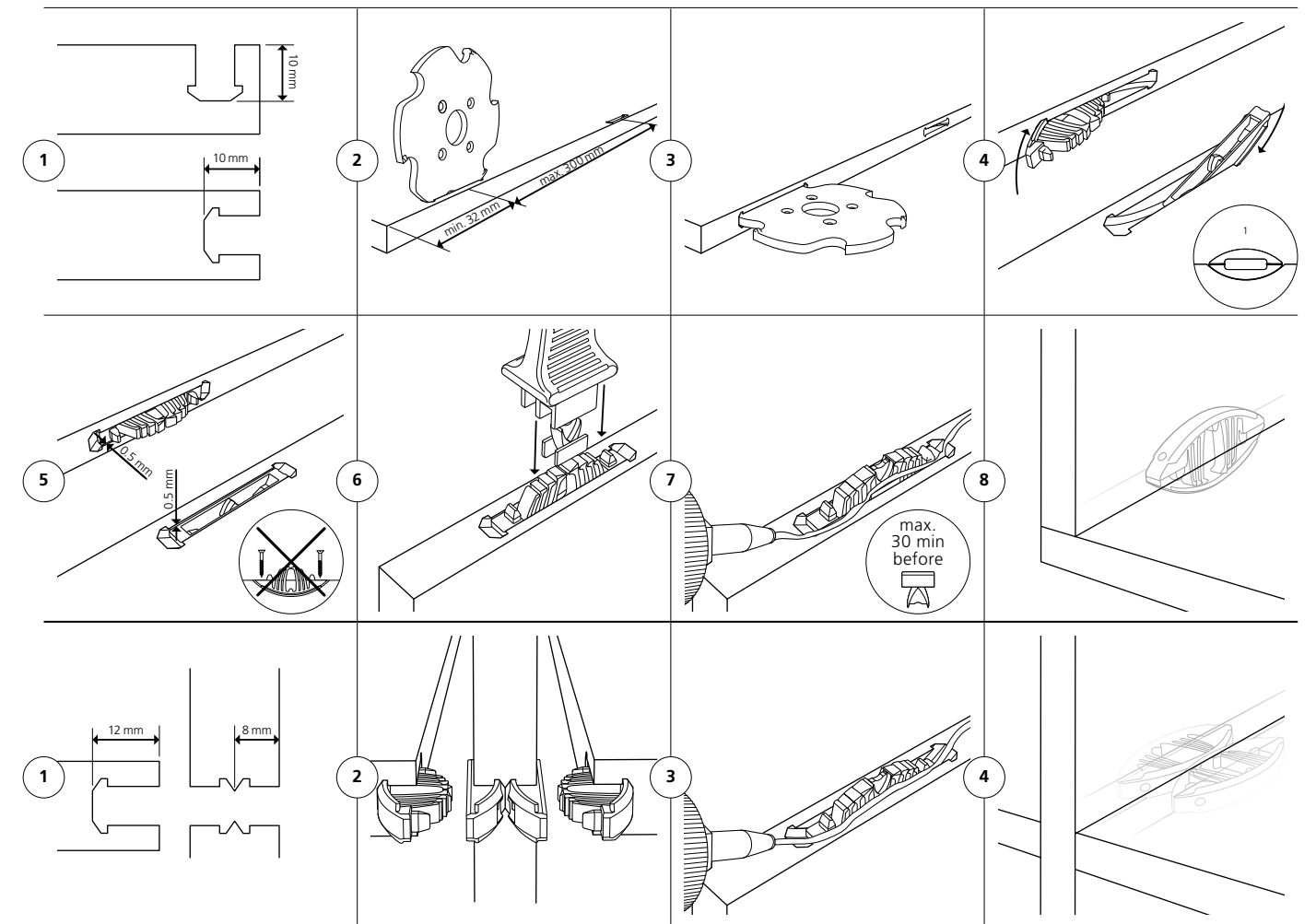


Tenso P-10	Art. No.
80 pairs, with preload clip	145418
300 pairs, with preload clip	145428
1000 pairs, with preload clip	145438
2000 pieces element with spring	145442
2000 Pieces element without spring	145443



Tenso P-10 preload clip	Art. No.
2000 pieces	145445

Function



Technical data

Joining methods	Size	52 x 19 x 9.7 mm
	Cutter	Ø 100.4 x 7 x Ø 22 mm
	Material connector	Fiberglass reinforced plastic
	Installation tolerance	Long. ± 1 mm/radial ± 1 mm
	Tensile strength (N)	Depending on the adhesive
	Material range	Particle board, MDF, plywood, softwood, hardwood etc.

www.lamello.com
Experience the connector live and receive comprehensive product information!

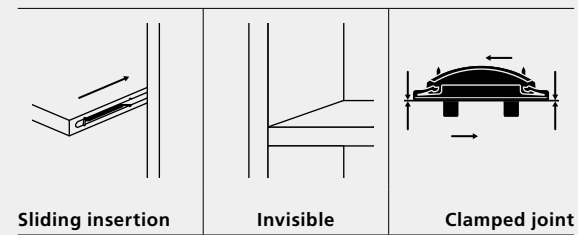


Divario P-18

Self-clamping, invisible connector for slide insertion



Features



Divario P-18 is a detachable connector for slide-in insertion and is anchored in the form-locking P-System groove within seconds.

The connector is used to slide shelves or partitions into an already assembled cabinet. In the process, the Divario P-18 clamps the workpieces together firmly and ensures perfectly closed joints without visible connectors.

Divario P-18 is used for joining shelves to divisions from 18 mm panel thickness or in butt joints from 12 mm.

Articles

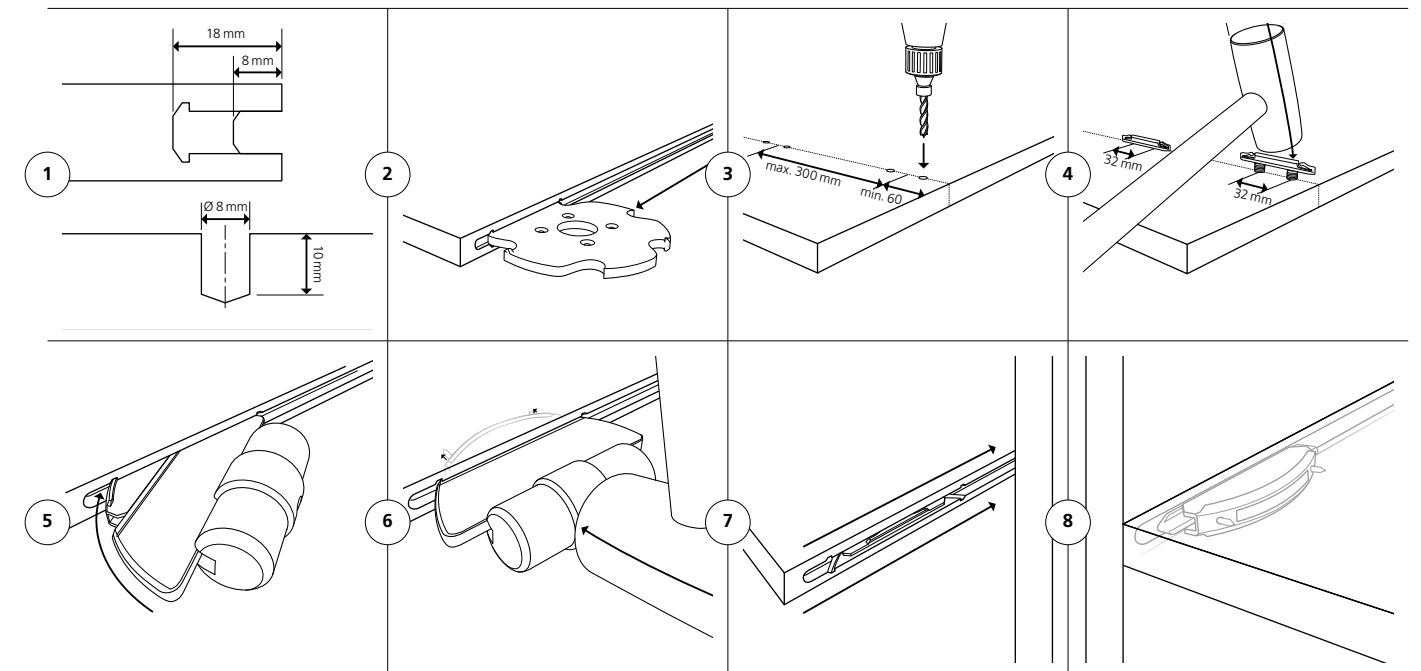


Divario P-18	Art. No.
80 pairs	145550
300 pairs	145560
1000 pairs	145570
2000 pieces, element for P-System groove	145520
2000 pieces, element for drill holes	145540



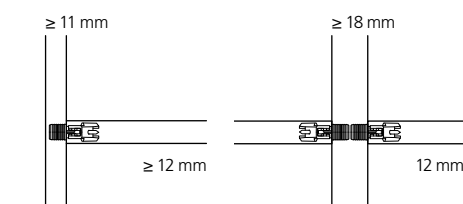
Divario P-18 Installation tool	Art. No.
For fixing the Divario in the workpiece	125500

Function



Technical data

Joining methods



Element with P-System groove	58 × 16 × 9.7 mm
Element with drill holes	72 × 17 × 8 mm
Cutter	Ø 100.4 × 7 × Ø 22 mm
Material connector	Fiberglass reinforced plastic
Installation tolerance	Long. ± 1 mm/radial ± 0 mm
Load limits per connector (N)	19 mm
Up to	MDF 740 ¹ Particle board 590 ¹ Beech 1820 ¹
Tensile strength (N)	All materials 600 ¹
Material range	Particle board, MDF, plywood, softwood, hardwood etc.

www.lamello.com
Experience the connector live and receive comprehensive product information!



High performance without cable

LiHD battery pack

Ludwig Bauer, Teamleader Product Management

«With the lightweight, powerful 18 V LiHD 4.0 Ah battery pack, the Zeta P2 cordless is ideally equipped to cut longitudinal grooves for the Divario P-18 – even in solid wood.»



Powerful!
Battery alliance with
over 30 brands

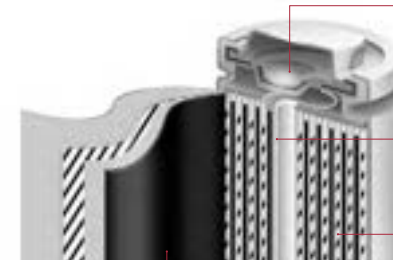
www.cordless-alliance-system.com



LiHD: The world's most powerful battery system in the industry

A unique interplay of:

- Intelligent battery management for long-lasting high capacity
- Patented AIR-COOLED system for short charging times with hot batteries
- High-quality cell structure with 50-percent reduced internal resistance ensures full Zeta power even with a small battery pack



Connection cap made of 50-percent thicker material for good thermal dissipation

Multiple power connectors for internal wiring provide continuously high power output

Reinforced current collectors for low heat losses

More active material in reactive surface for high capacity in a compact size

Powerful 18 V LiHD battery pack either as 4.0 Ah or 5.5 Ah

18 V LiHD 4.0 Ah

- Included as standard battery in the set
- Compact, lightweight and powerful
- Suitable for all applications



18 V LiHD 5.5 Ah

- Available as an option for even longer working periods



More flexible in the workshop

The ready-to-hand battery-powered biscuit joiner ensures greater efficiency and flexibility in the workshop.

- No tangling of the cable or the suction hose when machining large workpieces
- Cutting directly on the workpiece reduces the handling of bulky parts. There is also no need to disconnect and plug in the cable

- Quick production of furniture with different angles without complicated programming on the CNC
- Create prototypes without time-consuming machine setup. Unrestricted design freedom thanks to the wide variety of joining elements

- The cordless power tool can be used to easily adapt or add grooves in no time
- Corner connections are quickly and precisely cut directly at the work bench

Large workpieces



Fitted panels



- Easily and flexibly cut grooves in fitted panels on site, even if the furniture has been completely machined on the CNC
- Additional grooves on the longitudinal joint for fillers or pillar cladding are created extremely efficiently after fitting

Exclusive individual pieces



Roof window casing



- For renovation work, the grooves are only cut directly on site after fitting
- Cable-free work facilitates handling overhead and in hard-to-reach niches

Adapting furniture



Terrace floors



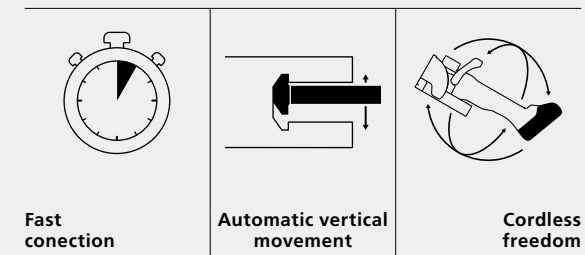
- Join components outdoors without access to a power connection
- No walkways between the processing site and the installation site, and no additional handling of the cable reel



Zeta P2 cordless

The powerful P-System biscuit joiner for cordless freedom

Features



The Zeta P2 cordless is the battery-powered biscuit joiner for even faster joining, suitable for use with P-System connectors. It is used to create the form-locking P-System groove within seconds, and is even more flexible to use due to its cordless freedom. The integrated vertical mechanical drive is automatically triggered at the maximum cutting depth and performs a lateral cutter movement for the P-System groove. Connectors with various functions and different sizes can now be inserted into the form-locking P-System groove without the need for any tools.



Articles



Zeta P2 cordless biscuit joiner, DP (diamond) Art. No.

In systainer, incl. 2 batteries and charger, **101801DESD**
plug type C Euro

In systainer, without batteries, without charger **101800DESD**

In systainer, incl. 2 batteries and charger, **101801GBSD**
plug type G

In systainer, without batteries, without charger **101800GBSD**

For other plug versions please contact your local Lamello specialist



Kit contains

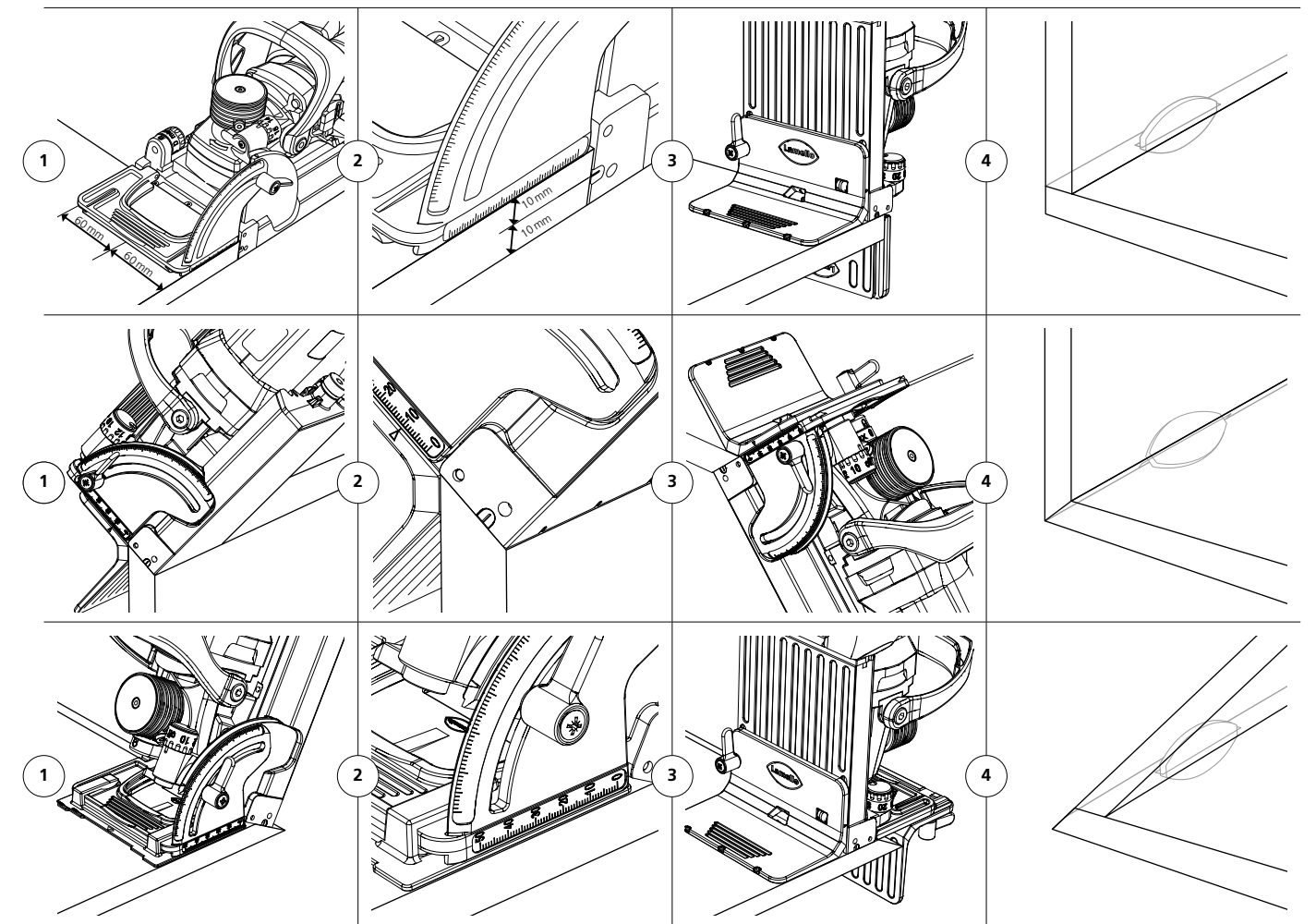
Zeta P2 cordless biscuit joiner, DP, 2 x battery pack 18 V, LiHD 4.0 Ah*, battery charger ASC 55*, P-System drill jig incl. drill, suction stub 36 mm, spacer 2 and 4 mm, dust bag, tool set, stop square

** Only included in art. No. 101801DESD/101801GBSD*

www.lamello.com
Experience Zeta P2 cordless live and receive comprehensive product information!



Function



Technical data

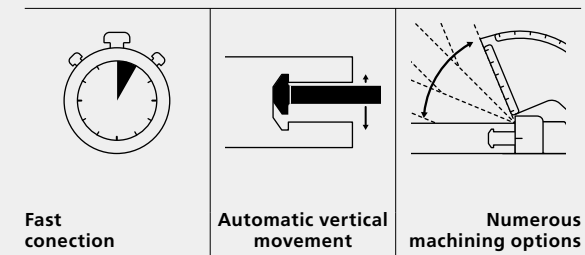
Battery voltage	18 V	Groove width	7/10 mm
Speed	9 000 min ⁻¹	Groove depth max.	20 mm
P-System Cutter	Ø 100.4 x 7 x 22 mm	Weight	3.7 kg incl. battery

Zeta P2

The machine for the evolving P-System, saving you time daily! Differentiate your products from the standard!



Features



The Zeta P2 is the biscuit joiner for P-System connectors and is used to create the form-locking P-System groove within seconds. The integrated vertical mechanical drive is automatically triggered at the maximum cutting depth and performs a lateral cutter movement for the P-System groove. Connectors with various functions and different sizes can now be inserted into the form-locking P-System groove. The insertion into the groove is quick and without tools.

Articles



Zeta P2 with P-System

groove cutter HW (carbide)	Art. No.
In systainer ³ M, plug type F Schuko	101403DES
In systainer ³ M, plug type G	101403GBS
In systainer ³ M, plug type C Euro	101403CHS

Zeta P2 with P-System

groove cutter DP (diamond)	Art. No.
In systainer ³ M, plug type F Schuko	101403DESD
In systainer ³ M, plug type G	101403GBSD
In systainer ³ M, plug type C Euro	101403CHSD

For other plug versions please contact your local Lamello specialist



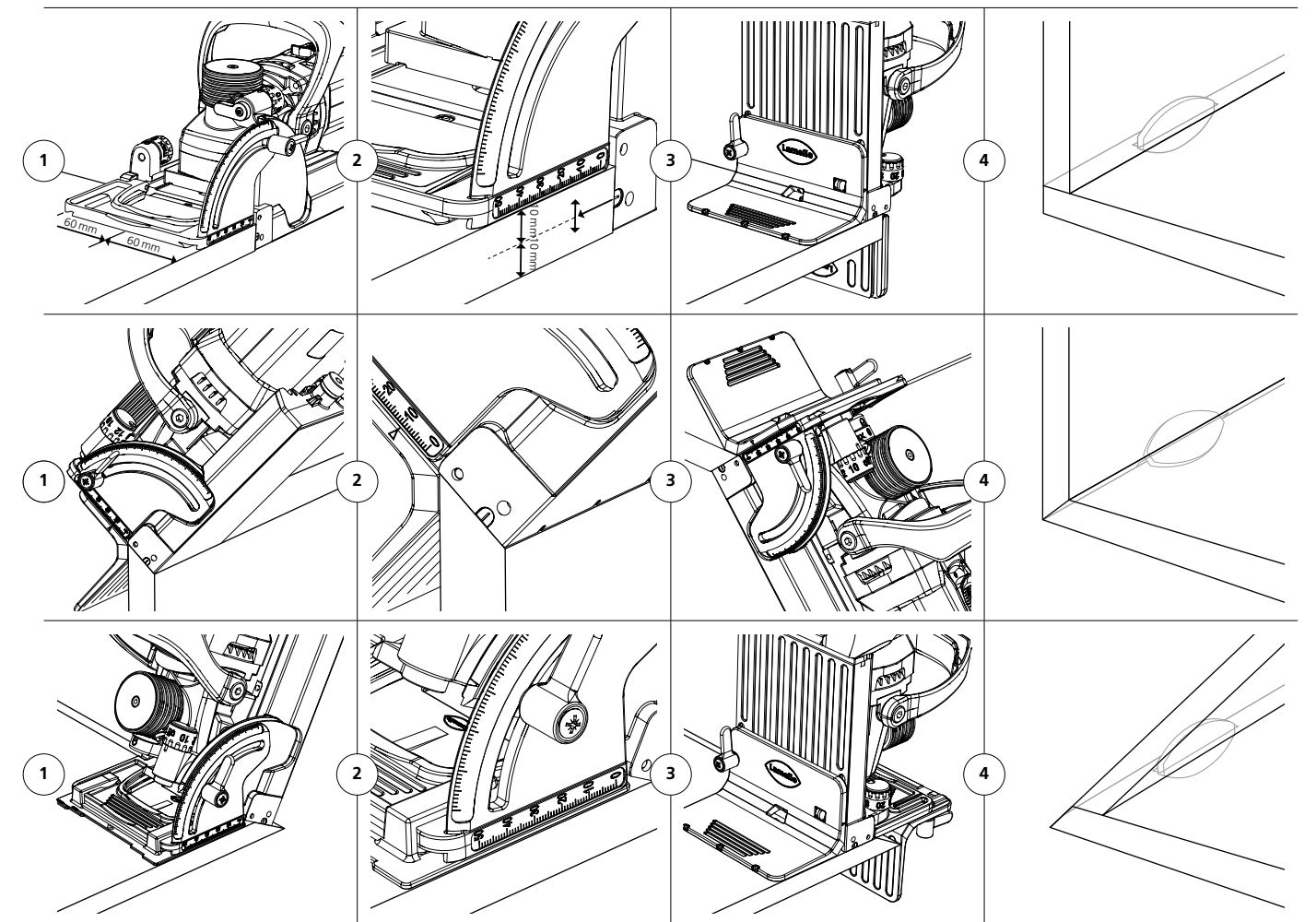
Kit contains

Zeta P2, P-System groove cutter, stop square, suction stub 36 mm, disc for angles, spacer 2 and 4 mm, tools, Clamex P drill jig incl. drill

www.lamello.com
Experience Zeta P2 live and receive comprehensive product information!



Function



Technical data

Power/Voltage	1 050 W/230 V 800 W/120 V	Teeth	Z3
Speed	9 000 min ⁻¹	Cutting depth max.	20 mm
P-System Cutter	HW: Ø 100.9 × 7 × Ø 22 mm DP: Ø 100.4 × 7 × Ø 22 mm	Weight	3.7 kg

Accessories

Zeta P2 cordless and Zeta P2

Accessories



Stop square for Zeta P2, Top 21, Classic X Art. No. **251044**
For stabilising the biscuit joiner in the vertical position, ideal for obtuse mitre joints



Spacer for Zeta P2, Top 21, Classic X Art. No. **253027**
5 mm, aluminium for 18 mm panels
253023
2 mm, plastic for 16 mm panels
253026
4 mm, plastic for mitres



P-System groove cutter DP (diamond), Art. No. **132140**
Ø 100.4 x 7 x Ø 22 mm
Z3, 4 NL for Zeta P2



P-System groove cutter HW (carbide), Art. No. **132141**
Ø 100.9 x 7 x Ø 22 mm
Z3, 4 NL for Zeta P2



Groove cutter HW (carbide), Art. No. **132000**
Ø 100 x 4 x Ø 22 mm
Z2 + V4 scoring teeth, 4 screw holes, hub
for Zeta P2/Top 21/Classic X



Dust bag Art. No. **257532**
For Zeta P2/Top 21/Classic X

Batteries



Batteries Art. No. **313013**
Battery pack 18 V, LiHD 4.0 Ah
313015
Battery pack 18 V, LiHD 5.5 Ah
123100DE
Battery charger ASC 55, plug type C Euro
123100GB
Battery charger ASC 55, plug type G

Connected in seconds ...

Without waiting time, clamps, or secondary processes,
glued and clamped in 40 seconds

Advantage

... with Clamex P – detachable



1 Cut 2 Drill 3 Insert 4 Connect – finished!

Time for one connector pair
1. Cut 25
2. Drill 15
3. Insert 5
4. Connect – finished! 5

Ready in 50 s

... with Tenso P – glued



1 Cut 2 Insert 3 Apply glue 4 Connect – finished!

Time for one connector pair
1. Cut 25
2. Insert 5
3. Apply glue 5
4. Connect – finished! 5

Ready in 40 s



Versatile use with many different connecting elements.

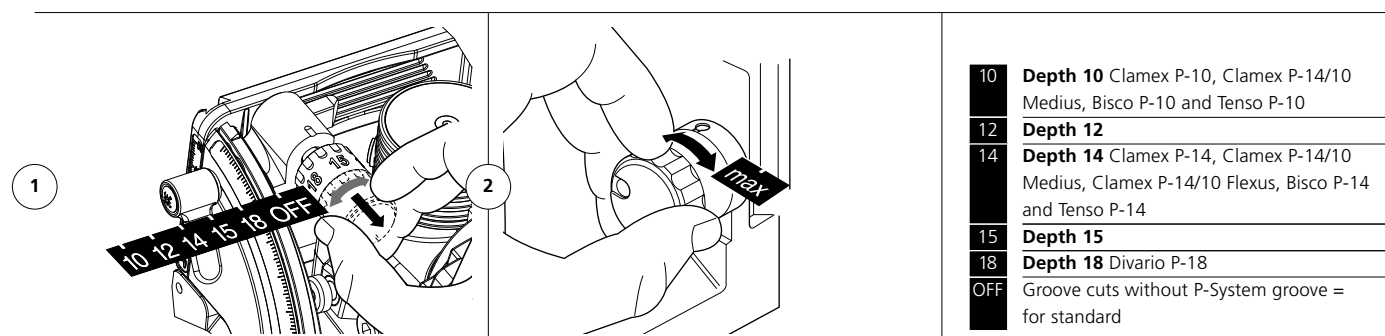
With the Zeta P2, you can quickly and easily connect parts with a range of angles and joining situations. Suitable for individual pieces of furniture as well as prototypes and line production.



With P-System groove



P-System depth adjustment



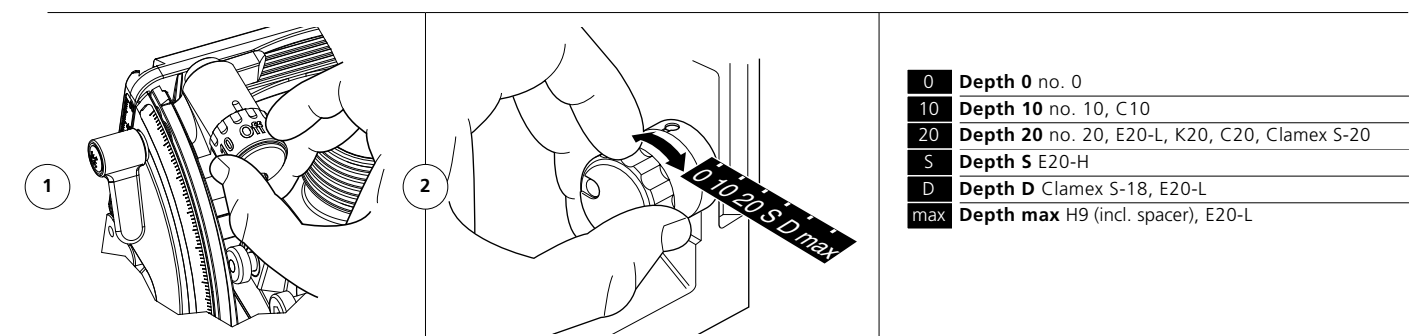
With 4 mm Lamello System groove cutter



With 3 mm Lamello System groove cutter

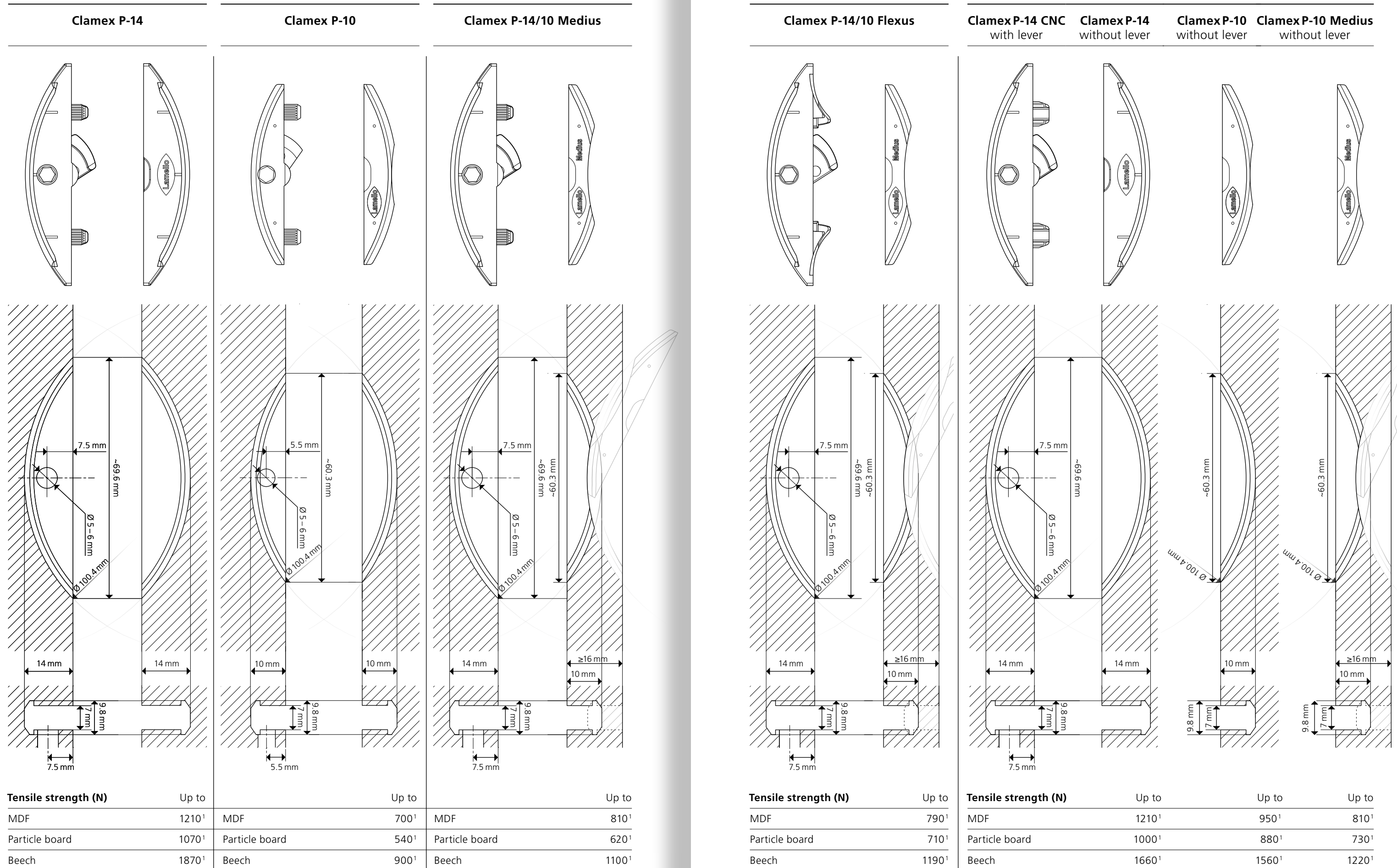


Lamello depth adjustment system



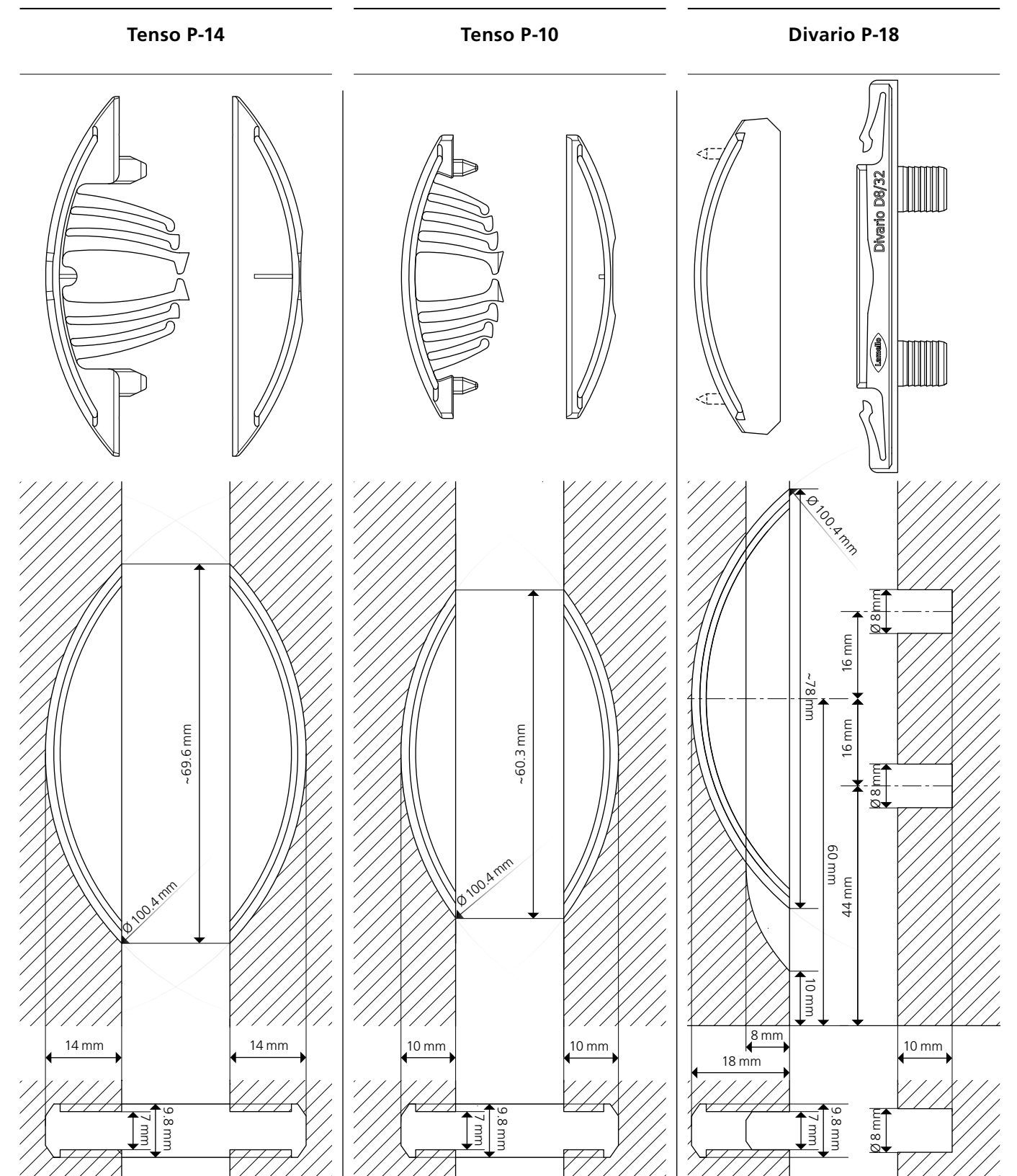
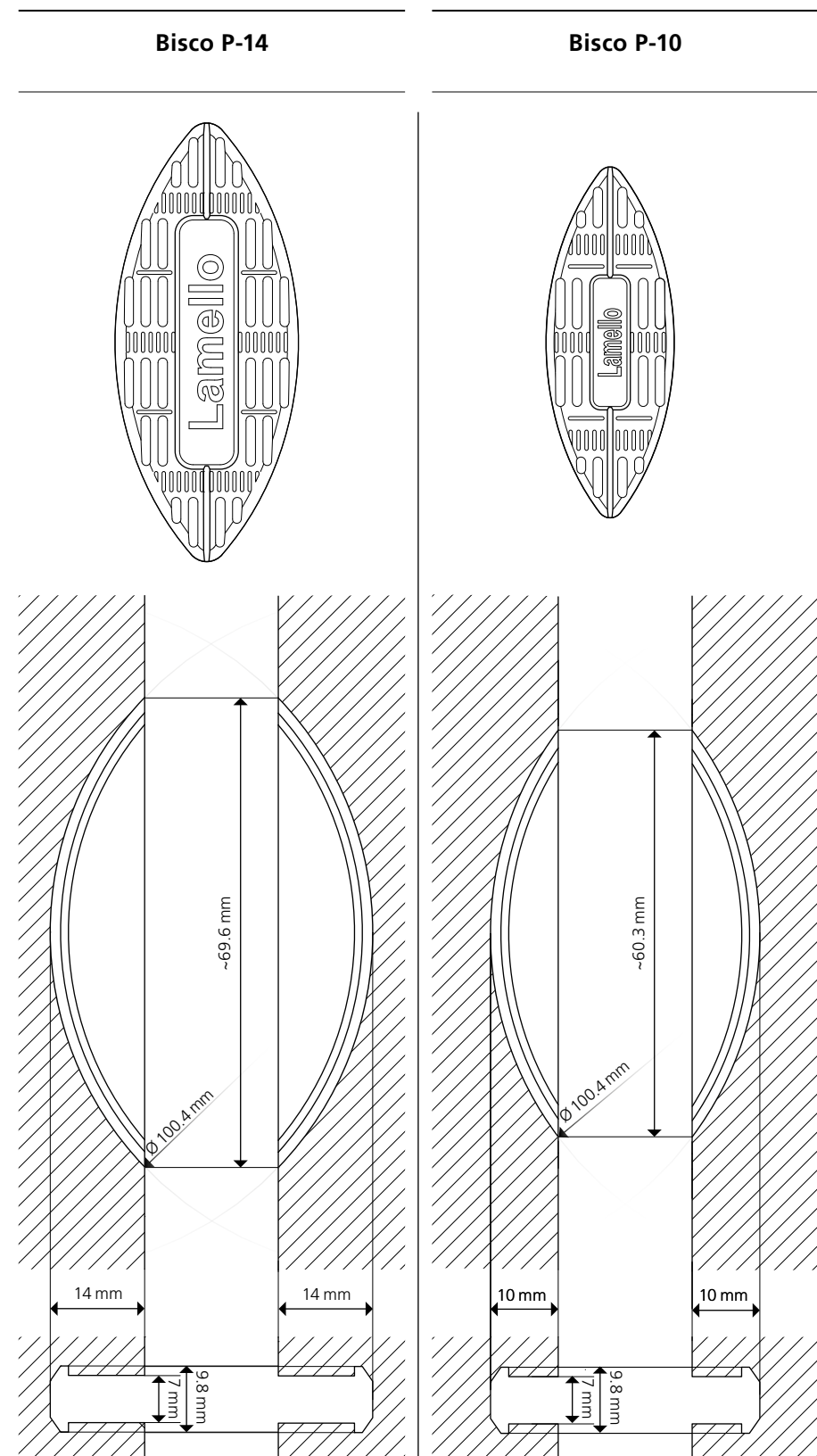
Technical information

Overview of connectors + grooves (scale 1:1)



Technical information

Overview of connectors + grooves (scale 1:1)



Tensile strength (N)

Depending on the adhesive

Depending on the adhesive

Load limits per connector (N)*

19 mm	
MDF	740 ¹
Particle board	590 ¹
Beech	1820 ¹

Tensile strength (N)

All materials	600 ¹
---------------	------------------

Accessories / Spare Parts

P-System

P-System



P-System connector assortment

professional Art. No. **145323**
 Scope of delivery: 120 pairs Clamex P-14, 30 pairs Clamex P-14/10 Flexus, 30 pairs Clamex P-10, 120 pairs Tenso P-14 incl. preload clip, 30 pairs Tenso P-10 incl. preload clip, 20 pieces Bisco P-14, 20 pieces Bisco P-10, 80 pairs Divario P-18, Divario installation tool/drill/marking gauge, Clamex assembly tool, Tenso P-14/10 preload tool, Sortainer T-loc incl. dividers



P-System connector assortment

basic Art. No. **145321**
 Scope of delivery: 80 pairs Clamex P-14, 80 pairs Tenso P-14 incl. preload clip, 30 pairs Clamex P14/10 Flexus, 30 pairs Clamex P-14/10 Medius, 20 pieces Bisco P-14, Tenso P-14/10 preload tool, Systainer³ M187 incl. plastic insert

Clamex P



Clamex assembly tool Art. No. **251993**
 For all angles, fast and flexible, hex 4 x 30 mm, length 290 mm



Allen key Art. No. **271945**
 4 mm, 75 x 55 mm
 4 mm, 120 x 50 mm **271945A**



Cover cap, 100 pieces, 90° Art. No.
 RAL 9010 pure white **335280**
 RAL 9011 graphite black **335281**
 RAL 1014 ivory, pine **335282**
 RAL 1011 brown beige, beech **335283**
 RAL 8007 fawn brown **335284**
 RAL 8017 chocolate brown **335289**
 RAL 9002 grey white **335285**
 RAL 7035 light grey **335286**
 RAL 7040 window grey **335287**
 RAL 7031 blue grey **335288**
 RAL 7022 umbra grey **335298**

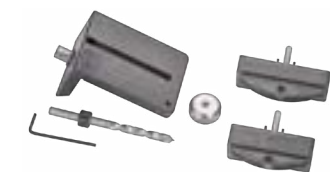
Cover cap, 500 pieces, 90° Art. No.
 RAL 9010 pure white **335362**
 RAL 9011 graphite black **335363**
 RAL 1014 ivory, pine **335364**
 RAL 1011 brown beige, beech **335365**

Cover cap, 5000 pieces, 90° Art. No.
 RAL 9010 pure white **335296**
 RAL 9011 graphite black **335291**
 RAL 1014 ivory, pine **335292**
 RAL 1011 brown beige, beech **335293**
 RAL 8007 fawn brown **335294**
 RAL 8017 chocolate brown **335299**
 RAL 9002 grey white **335295**
 RAL 7040 window grey **335297**



Cover cap, 100 pieces, 45° Art. No.
 RAL 9010 pure white **335380**
 RAL 9011 graphite black **335381**
 RAL 1014 ivory, pine **335382**
 RAL 1011 brown beige, beech **335383**
 RAL 8017 chocolate brown **335384**
 RAL 7035 light grey **335386**
 RAL 7022 umbra grey **335388**

Cover cap, 5000 pieces, 45° Art. No.
 RAL 9010 pure white **335390**
 RAL 1014 ivory, pine **335392**
 RAL 1011 brown beige, beech **335393**



Clamex P drill jig Art. No. **125344**
 Incl. drill, from 22.5° for all Clamex P connectors (P-10, P-14)
 Angle for drill jig **255250**
 Element insert for size P-10 **255251**
 Element insert for size P-14 **255252**



Clamex P drill jig long Art. No. **125345**
 Drill jig for thick workpieces 100 mm, (P-14), incl. drill



Drill Art. No.
 Spiral drill Ø 6 mm with centering point, for Clamex P drill jig **131506**
 Spiral drill Ø 6 mm with centering point, for Clamex P drill jig long **131508**
 Depth adjuster for drill, 6 mm diameter **255243**

Accessories / Spare Parts

P-System

Combination CNC and Zeta P2



Positioning pin CNC for Zeta P2*,

2 pieces	Art. No.
Ø 5 mm	251048
Ø 8 mm	251066



Positioning clip CNC for Zeta P2*

Ø 6 mm	Art. No.
	251067

for positioning in the Clamex P access hole (6 mm)

Tenso P



Tenso P-14/10 preload tool

Tool to pre-load the Tenso P	Art. No.
	145400



P-System 4 mm depth adjuster attachment for P-8

For offset installation on dividing panels	Art. No.
16 mm with Tenso P-10	145439

Divario P



Divario P-18 Marking jig metal with marking points

Marking jig incl. drill with centering point and rotating depth collar for the precise drilling of Divario drill holes by hand	Art. No.
	125510



Divario P-18 Marking jig plastic, to mark with a pencil

Marking jig to mark the Divario holes with a pencil	Art. No.
	125511



Divario P-18 Installation tool

Divario P-18 Installation tool for fixing the Divario in the workpiece	Art. No.
	125500



Divario P-18 Starter set

Divario P-18, 80 pairs, Divario installation tool, marking jig plastic	Art. No.
	145550S



Divario P-18 starter kit

In systainer ³ M137, scope of delivery: Divario P-18, 80 pairs, drill, marking jig in metal and installation tool	Art. No.
	145552

Zeta P2



Stop square for Zeta P2, Top 21, Classic X

For stabilising the biscuit joiner in the vertical position, ideal for obtuse mitre joints	Art. No.
	251044



Spacer for Zeta P2, Top 21, Classic X

5 mm, aluminium for 18 mm panels	Art. No.
	253027
2 mm, plastic for 16 mm panels	Art. No.
	253023
4 mm, plastic for mitres	Art. No.
	253026



P-System groove cutter DP (diamond),

Ø 100.4 × 7 × Ø 22 mm	Art. No.
Z3, 4 NL for Zeta P2	132140



P-System groove cutter HW (carbide),

Ø 100.9 × 7 × Ø 22 mm	Art. No.
Z3, 4 NL for Zeta P2	132141



Dust bag

For Zeta P2/Top 21/Classic X	Art. No.
	257532

Batteries



Batteries

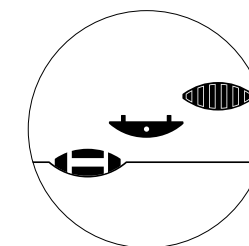
Battery pack 18 V, LiHD 4.0 Ah	Art. No.
	313013
Battery pack 18 V, LiHD 5.5 Ah	Art. No.
	313015
Battery charger ASC 55, plug type C Euro	Art. No.
	123100DE
Battery charger ASC 55, plug typeG	Art. No.
	123100GB

Lamello System

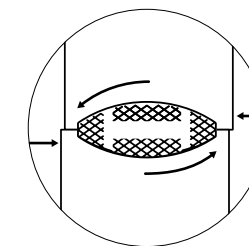
The original for efficient, intuitive and precise joints



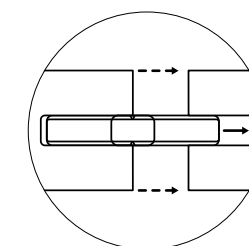
Features



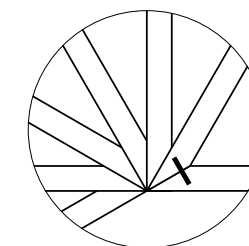
Versatile applications
One cutting principle for many different joining elements



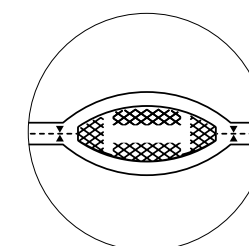
Lateral tolerance
The generous sliding tolerance allows for perfect flush alignment of workpieces



Perfect fit
The precision of the joining elements and of the 4 mm groove lead to a perfect fit



Versatile
The minimal element depth allows for mitres of 22.5–180 degrees as well as surface and corner joints and divisions



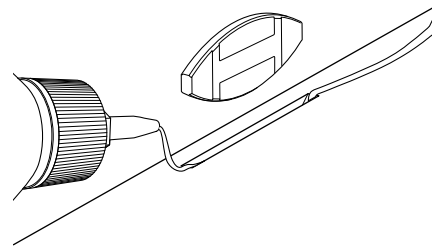
Symmetrical
The identical groove in both workpieces leads to an increase in efficiency in production

Lamello System

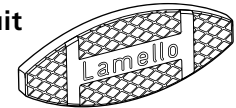
Overview

Features	Connector	Machines	Sequence				
			1 Cut	2 Apply glue	3 Insert the connector	4 Clamp	
		Power tools	CNC machines				

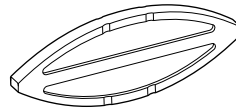
Glueing



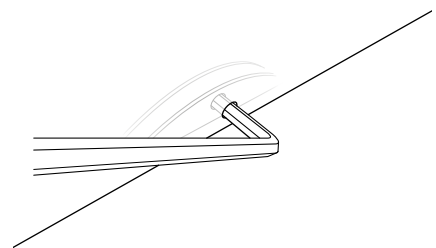
Original wood biscuit



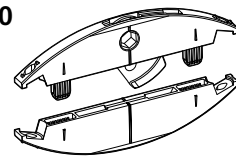
C20



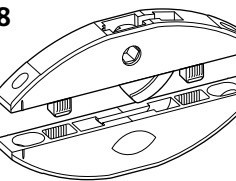
Detachable



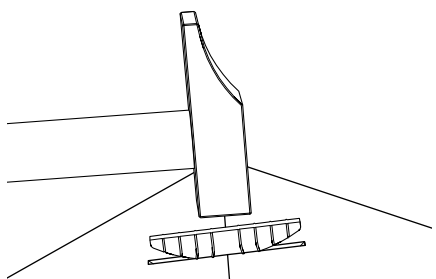
Clamex S-20



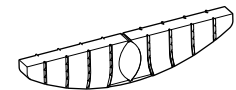
Clamex S-18



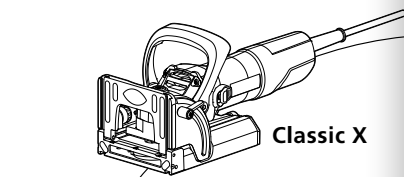
Inserted



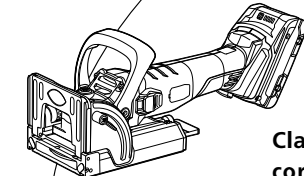
E20



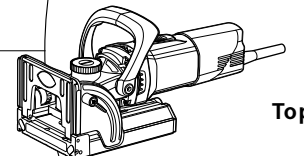
K20



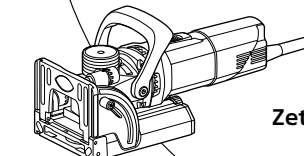
Classic X



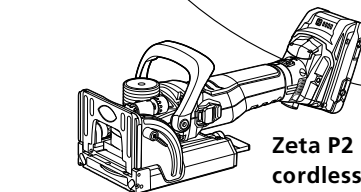
Classic X cordless



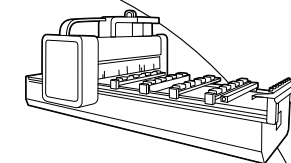
Top 21



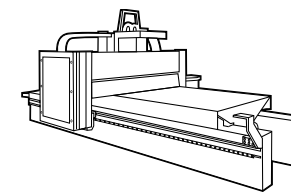
Zeta P2



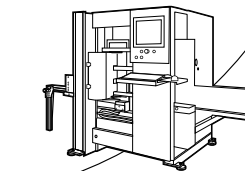
Zeta P2 cordless



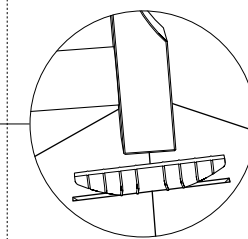
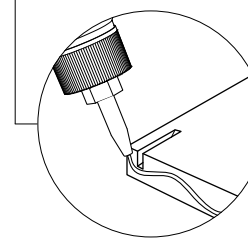
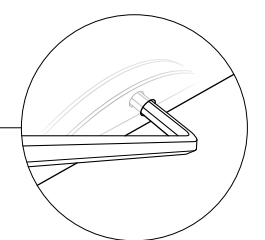
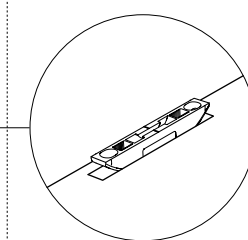
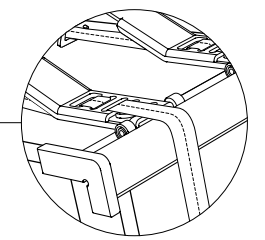
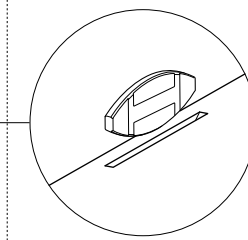
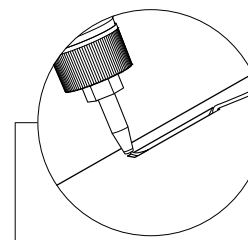
CNC processing centres with **consoles**




CNC processing centres with **nesting technology**



CNC processing centres **vertical**



A man in a light green polo shirt and dark work pants stands in a factory setting. He is smiling and looking towards the camera. Behind him are shelves with wooden trays and a glass display case containing wicker baskets. The background is a dark, industrial environment.

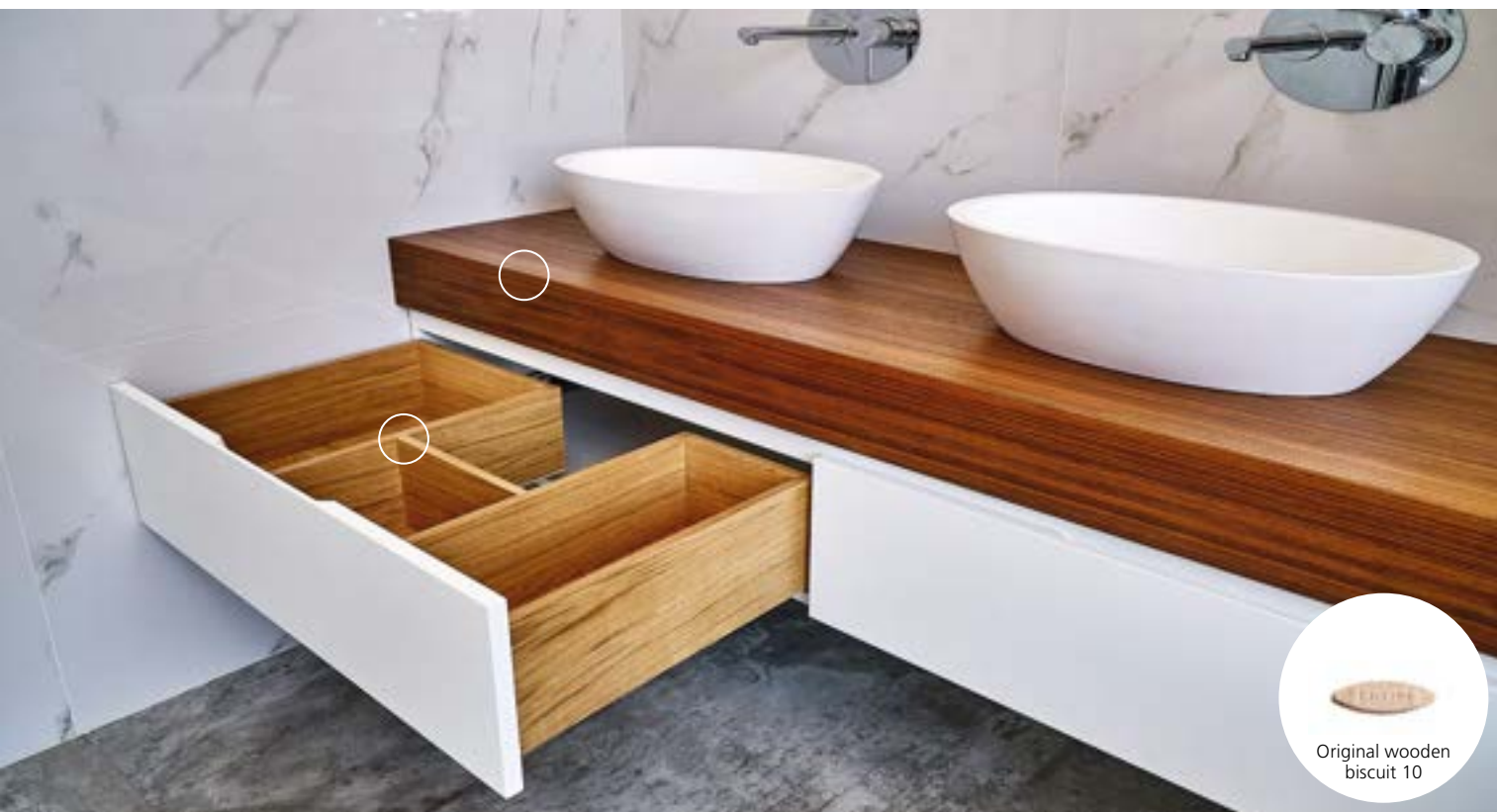
*« The original biscuit –
always a perfect fit!
Efficient, quick and precise! »*

Antonio Orlando, Head of Production Ladenmacher AG in Hägendorf,
Switzerland

Lamello System

Applications

Furniture manufacturing



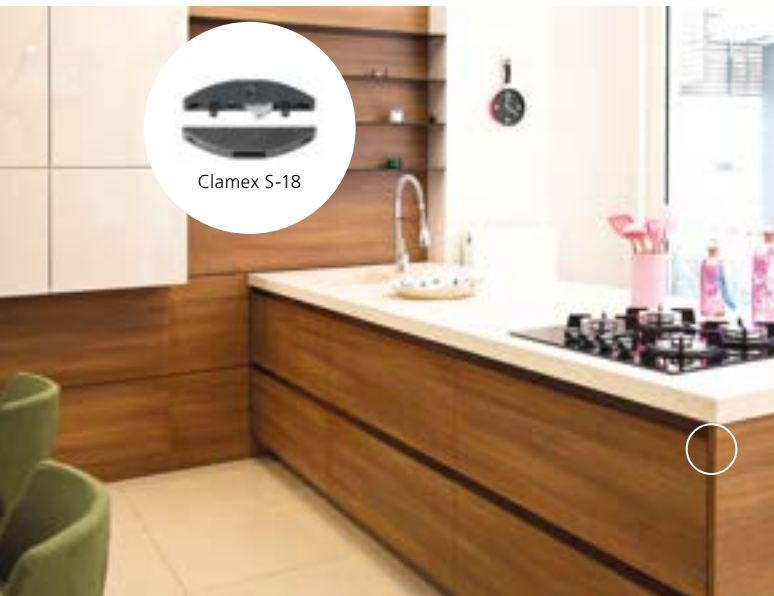
Interior fitting



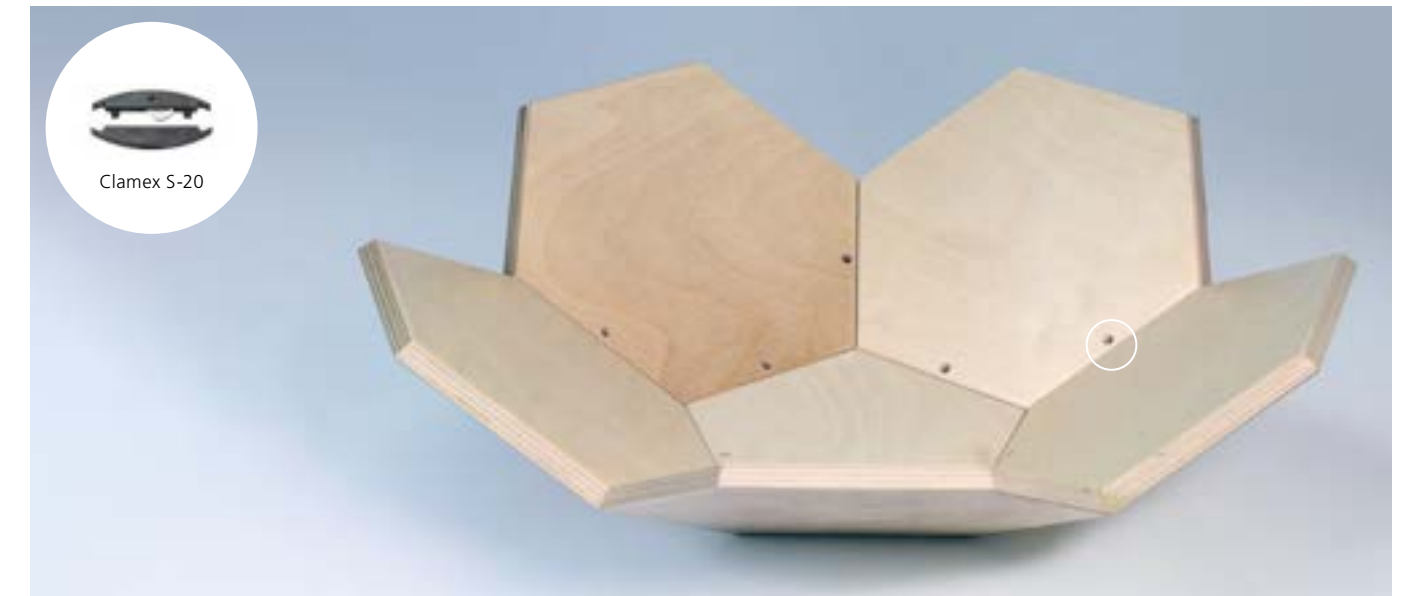
Lamello System

Applications

Kitchen manufacturing



Commercial joinery



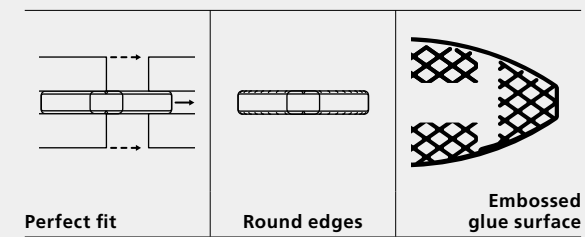
Shop fitting

Original wood biscuit

The original wood biscuit that always fits



Features



The original wood biscuit is the proven solution for wood joints and the original from the inventor of the system. The original wood biscuit guarantees quality with its dimensional accuracy, optimal glue distribution, dimensional stability as well as the sustainable cultivation of the beech wood. The perfect fit demonstrates its value from the very start, when the biscuits are easily inserted into the groove and remain in place even when the work piece is turned.

Articles

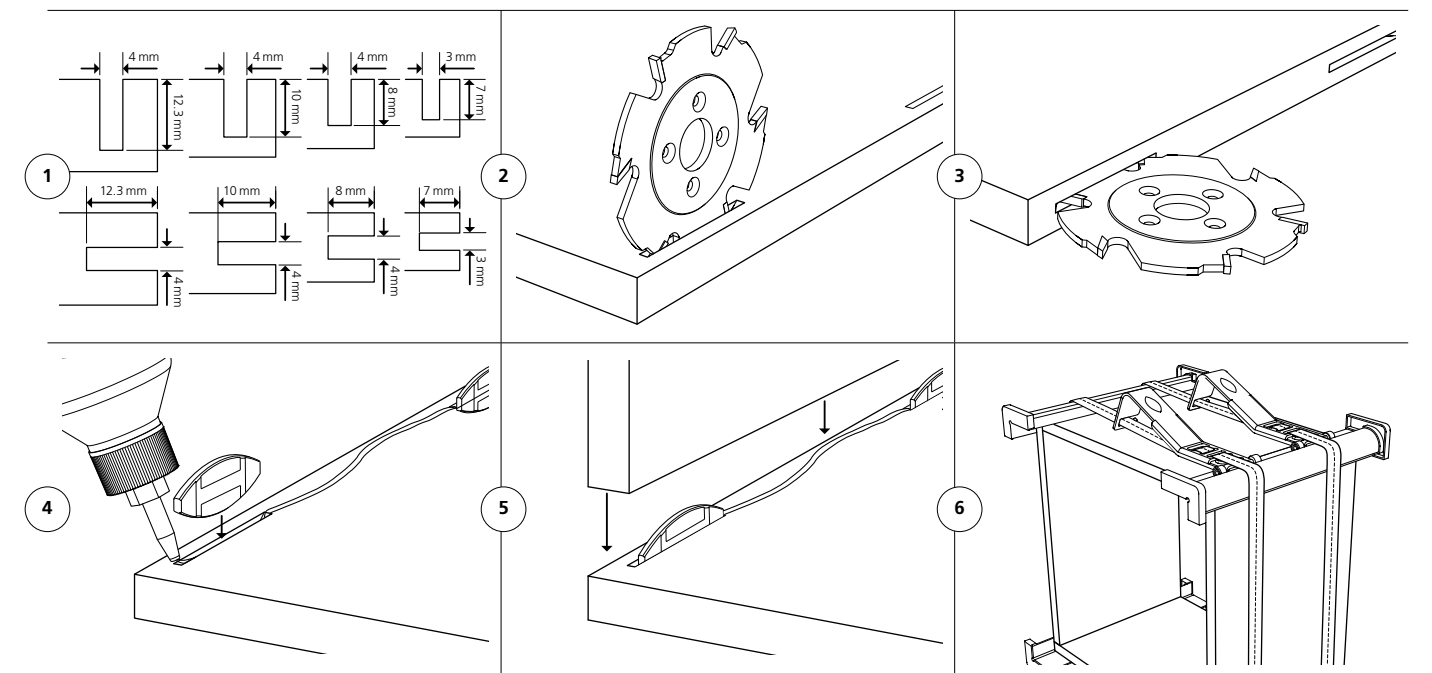
	Original wood biscuit 20	Art. No.
1000 pieces		144020
	Original wood biscuit 10	Art. No.
1000 pieces		144010
	Original wood biscuit 0	Art. No.
1000 pieces		144000
	Original wood biscuit H9*	Art. No.
1000 pieces		144009
	Assorted	Art. No.
500/250/250 pieces (20/10/0)		144030

www.lamello.com
Experience the connector live and receive comprehensive product information!



* Installation of wood biscuits with cutter Ø 100 x 4 x Ø 22 mm (standard cutter). Installation of H9 wood biscuits with cutter Ø 78 x 3 x Ø 22 mm (Art. No. 132009)

Function



Technical data

Joining methods

20	
10	
0	
H9	

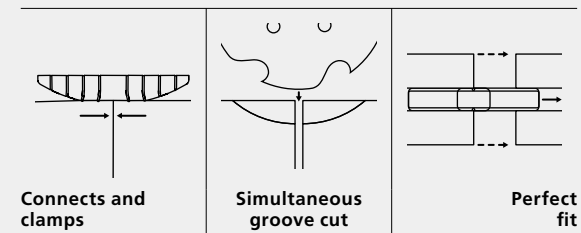
Size 20	56 x 23 x 4 mm
Size 10	53 x 19 x 4 mm
Size 0	47 x 15 x 4 mm
Cutter	Ø 100 x 4 x Ø 22 mm
Size H9	38 x 12 x 3 mm
Cutter	Ø 78 x 3 x Ø 22 mm
Material connector	Beech
Installation tolerance	Long. ± 1.0 mm/radial ± 1.0 mm
Clamping force (N)	Depending on the adhesive
Material range	Particle board, MDF, plywood, softwood, hardwood etc.

See PAGE 110–111 for technical specifications

E20

The self-clamping element


Features



E20 is a self-clamping element and can be used with any Lamello biscuit joiner. The E20 is driven into the 4 mm groove using a hammer. During insertion, the curved ridges on each side of the connector hold in the groove and clamp the workpieces together. E20 serves as a perfect glueing aid in the workshop or on site.

E20-L is suitable for surface joints such as picture frames, plinth or panel extensions. E20-H is used in the edge and serves as a plinth connector.

Articles

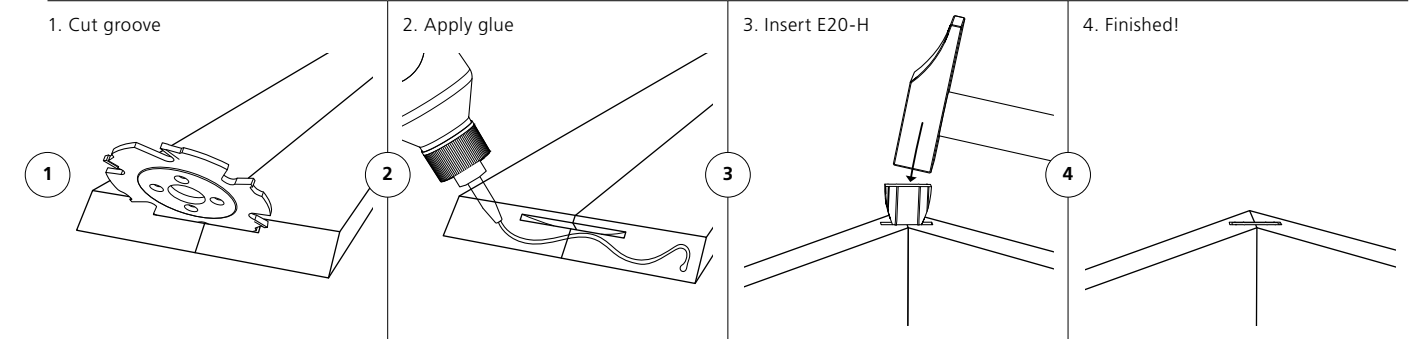
	E20-H	Art. No.
	80 pieces	145021
	400 pieces	145026
	1200 pieces	145028

	E20-L	Art. No.
	80 pieces	145022
	400 pieces	145025
	1200 pieces	145027

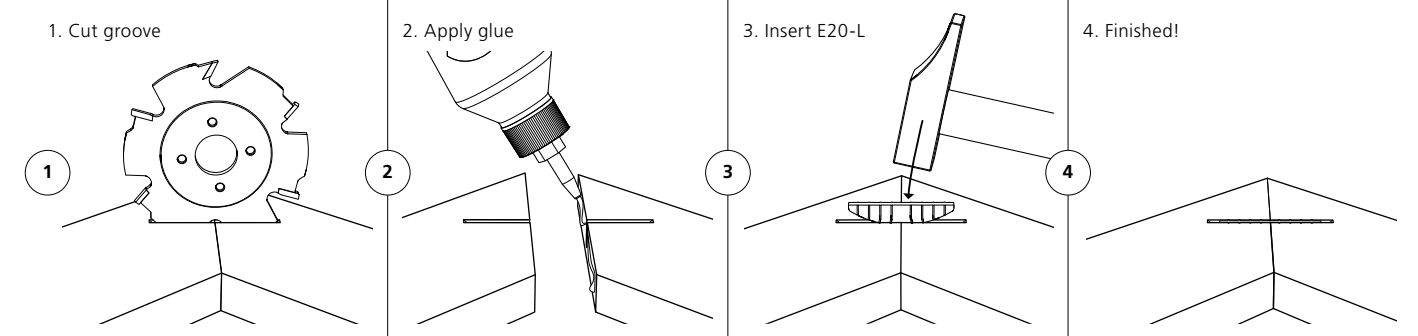
Assorted	Art. No.
40/40 pieces (E20-H/E20-L)	145020

Function

E20-H

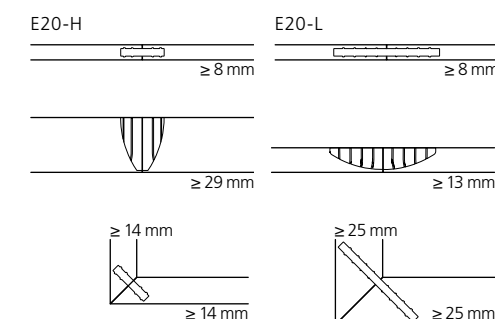


E20-L



Technical data

Joining methods



Size E20-H	23 × 28 × 4 mm
Size E20-L	56 × 11.5 × 4 mm
Cutter	Ø 100 × 4 × Ø 22 mm
Material connector	Fiberglass reinforced plastic
Clamping force (N)	Depending on the adhesive
Material range	Particle board, MDF, plywood, softwood, hardwood etc.

www.lamello.com

Experience the connector live and receive comprehensive product information!

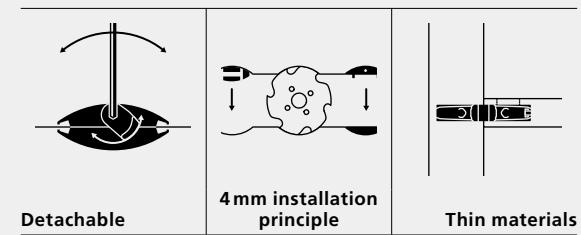


Clamex S-20

Detachable furniture connector for the 4 mm groove



Features



Clamex S-20 is a detachable connector for the Lamello system for material thicknesses from 16 mm and is fastened in the groove with screws.

The symmetric 4 mm grooves can be created with any biscuit joiner.

Clamex S-20 is connected to the counterpart with a lever and has a lateral installation tolerance.

It requires no adhesive, enables aesthetic connections at all angles and is ideal for fixed or detachable connections.

Articles



Clamex S-20	Art. No.
20 pairs, incl. screws	145243
80 pairs, incl. screws	145244
300 pairs	145245
1000 pairs	145246



Clamex S-20 screw	Art. No.
1500 pieces, Ø 3 x 12 mm	125255



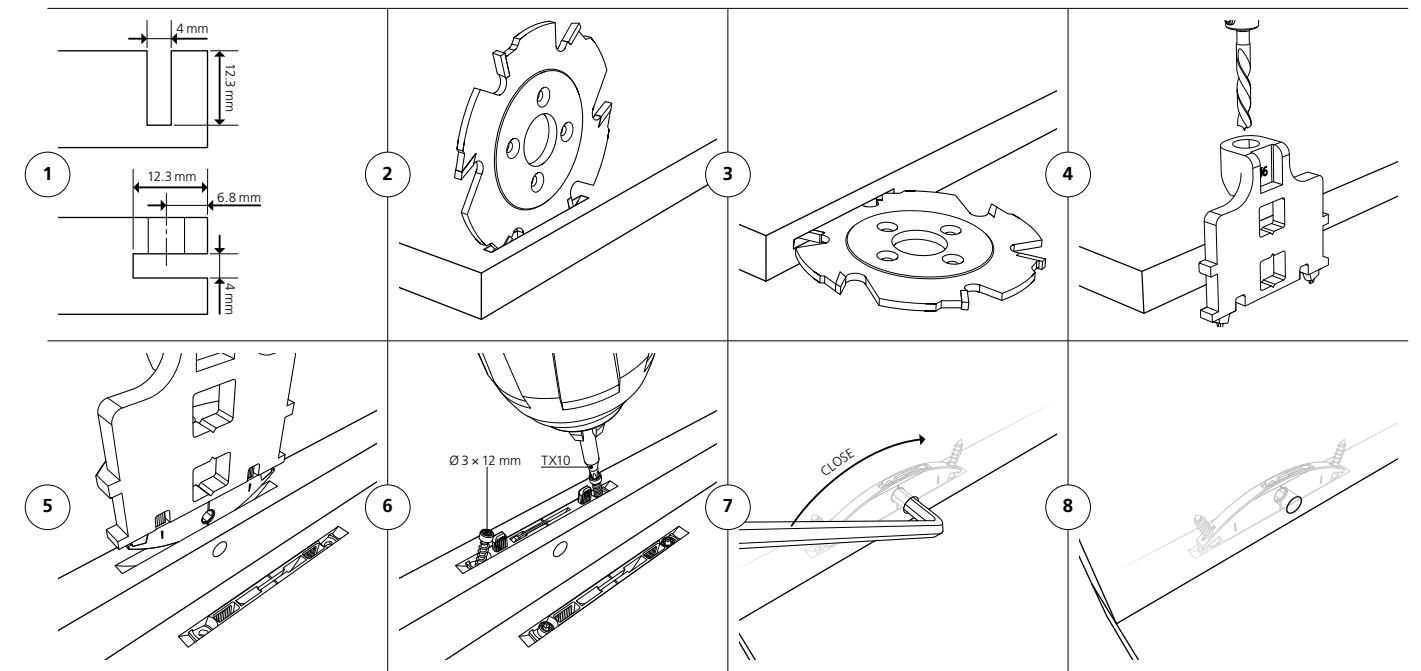
Clamex S-20 Starter set	Art. No.
In Systainer ³ M137, scope of delivery:	145247
Clamex S-20, 80 pairs incl. screws,	
Clamex S-20 drill jig incl. drill Ø 6 mm,	
Clamex assembly tool	

www.lamello.com

Experience the connector live and receive comprehensive product information!

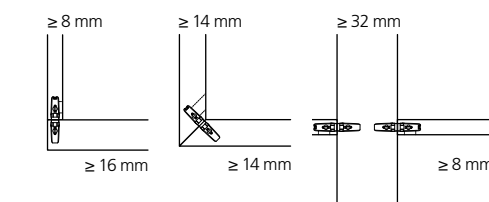


Function



Technical data

Joining methods



Size	59 x 12 x 3.9 mm		
Cutter	Ø 100 x 4 x 22 mm		
Material connector	Fiberglass reinforced plastic		
Material of lever	Zinc die cast		
Screw	3 x 12 mm		
Installation tolerance	Long. ± 1 mm/radial ± 0 mm		
Clamping force (N) Up to	MDF 680 ¹	Particle board 490 ¹	Beech 620 ¹
Material range	Particle board, MDF, plywood, hardwood, HPL etc.		

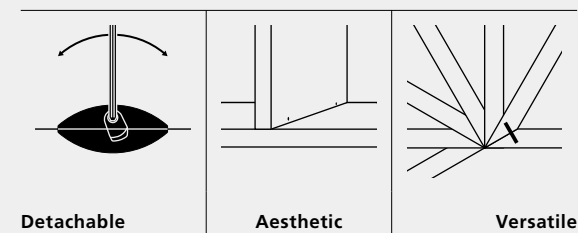
See PAGE 112 for technical specifications | ¹ See comment on load limits on PAGE 189

Clamex S-18

Detachable, flexible and simple.
Installation in an 8 mm groove
with screws



Features



Clamex S-18 is a detachable connector. It is inserted into an 8 mm wide groove and held in place with screws. Through the minimalist 6 mm access hole, Clamex S-18 is firmly connected and disconnected using a lever.

Clamex S-18 can be used with any Lamello biscuit joiner, allows aesthetic joints at all angles and is ideal for permanently joined or detachable mitres.

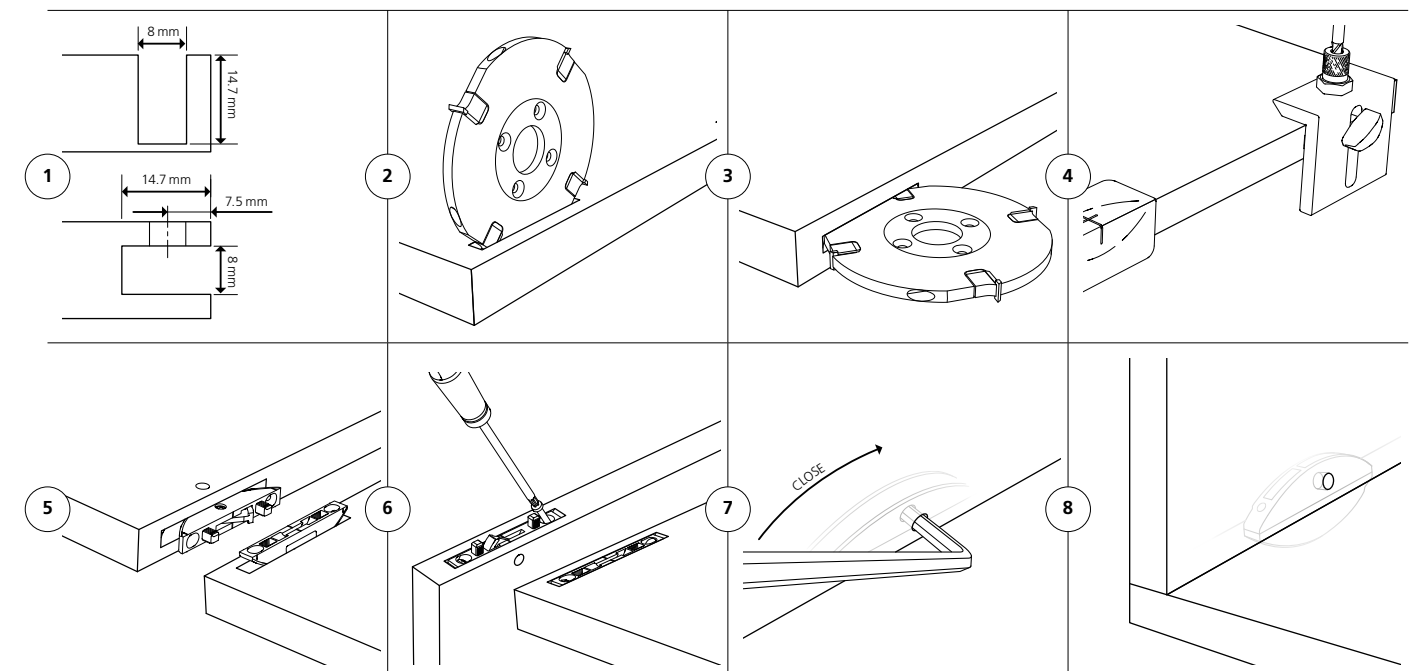
Clamex S-18 is used in mitre joints from 19 mm material thickness and in butt joints from 15 mm.

Articles



Clamex S-18	Art. No.
18 pairs, incl. screws 3 x 16 mm	145231
80 pairs	145236
300 pairs	145241
1000 pairs	145251

Function



Technical data

Joining methods	Size	66 x 29 x 8 mm		
≥ 19 mm	Cutter	Ø 100 x 8 x Ø 22 mm		
≥ 18 mm	Material connector	Fiberglass reinforced plastic		
≥ 36 mm	Material of lever	Zinc die cast		
≥ 12 mm	Screw	3 x 16 mm		
	Installation tolerance	Long. ± 1.0 mm		
	Clamping force (N) Up to	MDF 790 ¹	Particle board 550 ¹	Beech 1420 ¹
	Material range	Particle board, MDF, plywood, softwood, hardwood etc.		

www.lamello.com
Experience the connector live and receive comprehensive product information!



* Double cut with 4 mm cutter and spacer
Single cut with 8 mm cutter Art. No. 132108

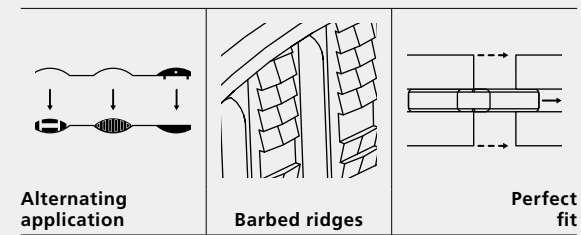
See **PAGE 112** for technical specifications | ¹ See comment on load limits on **PAGE 189**

K20

The clamping element, which holds the workpiece in position



Features



K20 is a clamping element and can be used with any Lamello biscuit joiner. K20 has barbed ridges on each side of the connector which anchor themselves into the 4 mm groove.

The clamping biscuit is ideal for difficult to clamp workpieces such as fillers or covers and is able to hold workpieces in the correct position until the adhesive is dry.

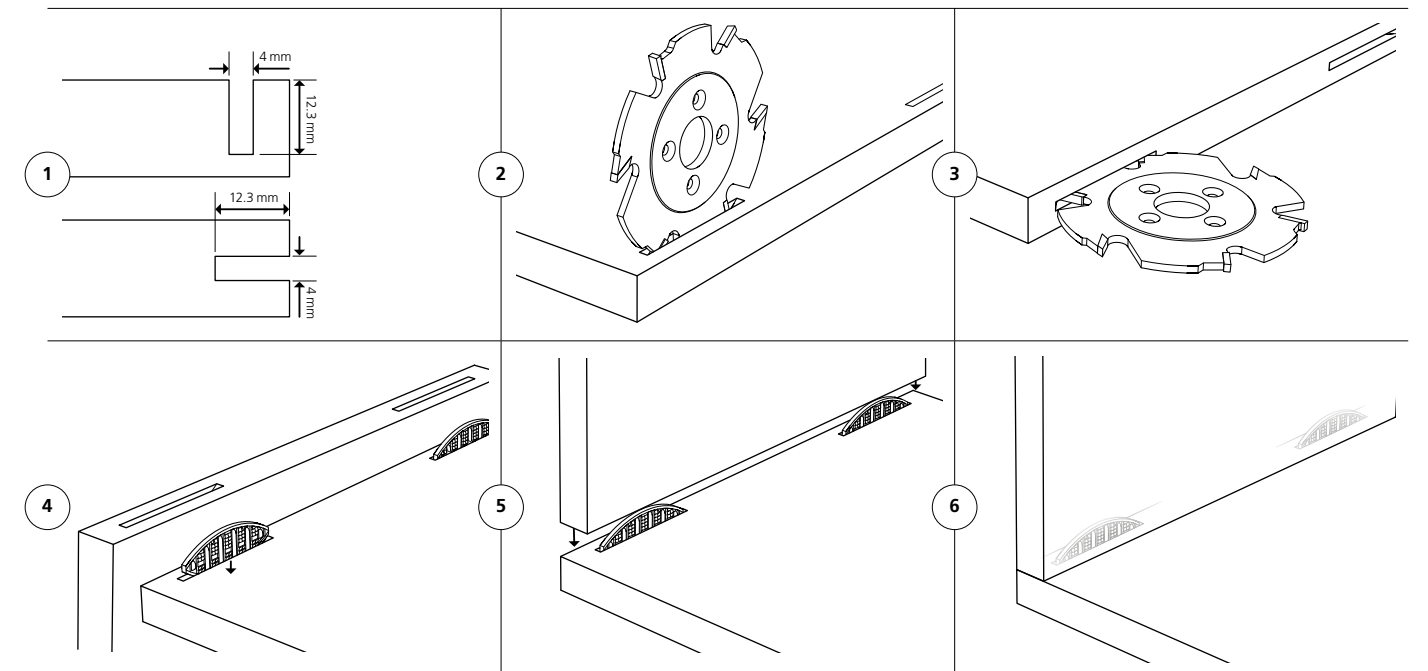
The combination with the original wood biscuits size 20 results in a joint with high strength.

Articles



K20	Art. No.
80 pieces	145001
250 pieces	145000

Function



Technical data

Joining methods	Size	60 × 24 × 4.5 mm
≥ 6 mm ≥ 14 mm	Cutter	Ø 100 × 4 × Ø 22 mm
≥ 8 mm ≥ 13 mm	Material connector	Plastic
≥ 25 mm ≥ 6 mm	Installation tolerance	Long. ± 1.0 mm/radial ± 1.0 mm
	Clamping force (N)	Depending on the adhesive
	Material range	Particle board, MDF, plywood, softwood, hardwood etc.

www.lamello.com
Experience the connector live and receive comprehensive product information!

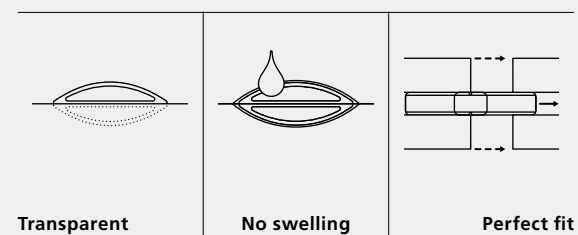


C20/C10

The transparent element



Features



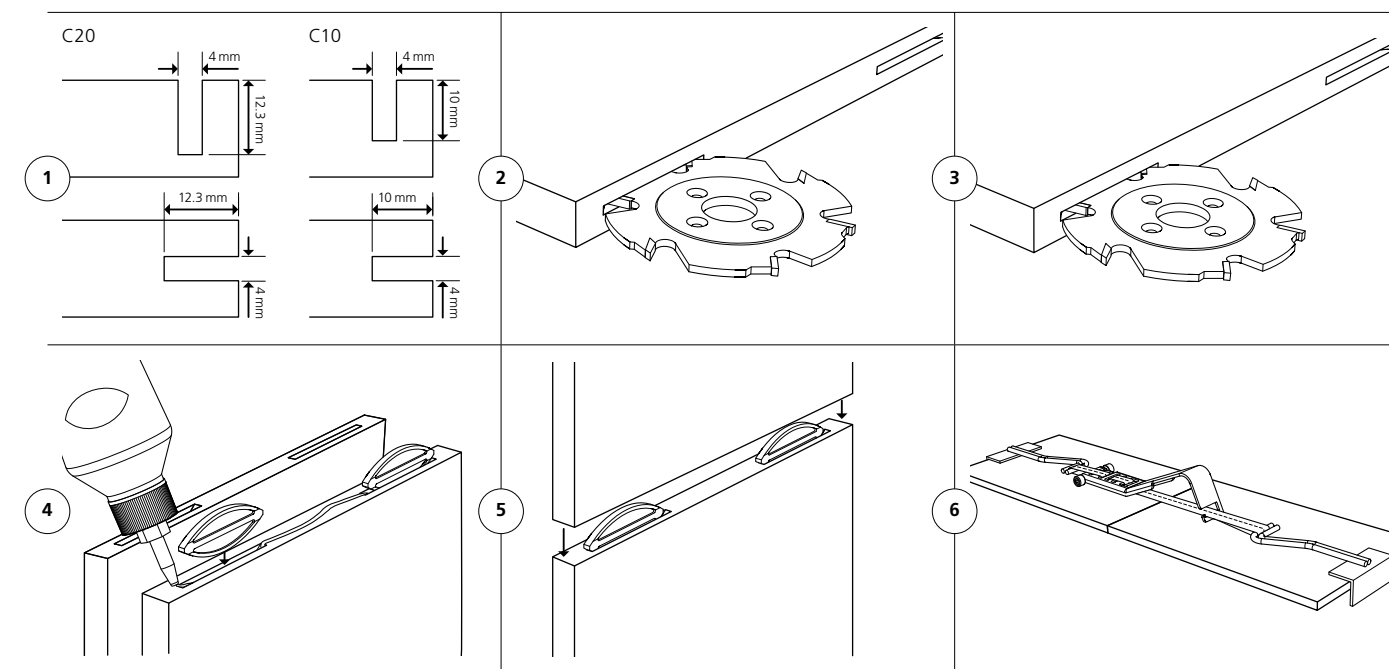
C10 and C20 plastic biscuits are the proven joining solution for mineral composite materials such as Corian, Varicor.

The white transparent plastic ensures that the connectors do not show through thin materials. The specific adhesive for composites can be used for the joints as well as for the biscuits. Since the C10 and C20 do not swell, these biscuits are also suitable for outdoor or wet areas. The sizes 10/20 match the sizes of the original wood biscuit.

Articles



Function



Technical data

Joining methods 	Size C20	61 × 23 × 4 mm
	Size C10	53 × 19 × 4 mm
	Cutter	Ø 100 × 4 × Ø 22 mm
	Material connector	Plastic
	Installation tolerance	Long. ± 1.0 mm/radial ± 1.0 mm
	Clamping force (N)	Depending on the adhesive
	Material range	Mineral material panels (e.g. Corian)

www.lamello.com
Experience the connector live and receive comprehensive product information!

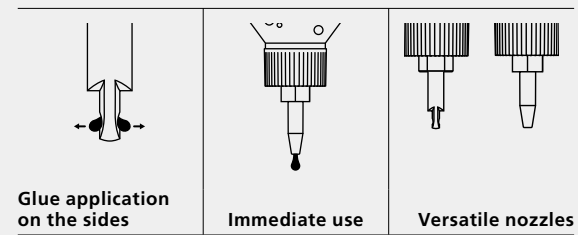


Minicol

The all purpose glue applicator



Features



Glue application on the sides

Immediate use

Versatile nozzles

Minicol is a universal glue applicator and the ideal solution for applying glue in 4 mm grooves.

Unlike with a glue bottle, the glue exits the nozzle on the sides. Therefore glue is applied to the groove sides instead of the groove bottom, resulting in better distribution and a more stable joint.

As the glue applicators are positioned with the nozzles facing downwards in the wooden base, the glue leaves the nozzle immediately and drying out is prevented. In addition to the plastic nozzle, a metal nozzle for biscuit grooves and a pointed nozzle are also available.

Articles



Minicol glue applicator Art. No.
With plastic nozzle **175500**

for biscuit grooves
With metal nozzle **175550**
for biscuit grooves



Minicol pointed nozzle Art. No.
Plastic nozzle **335522**

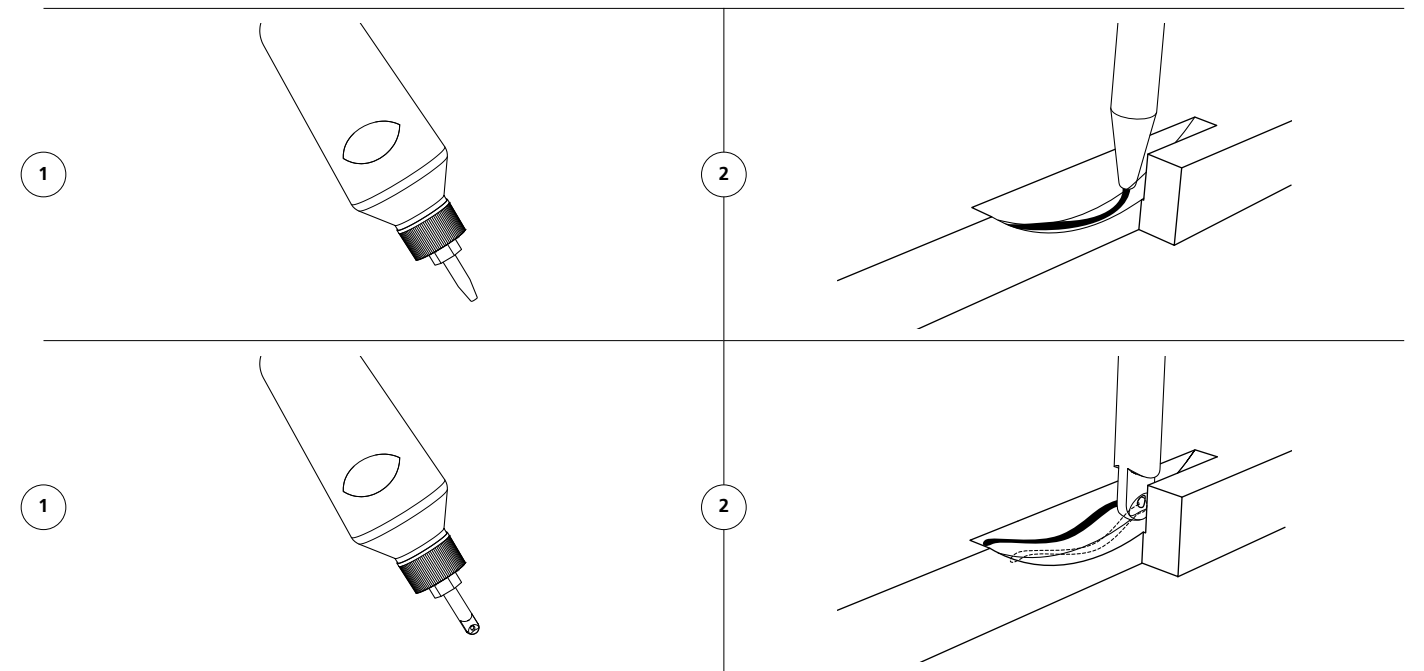


Minicol nozzles for biscuit grooves Art. No.
Metal nozzle **285512**
Metal nozzle for biscuits size H9 **285509**
Plastic nozzle **335511**

www.lamello.com
Experience the Minicol live and receive comprehensive product information!



Function



Technical data

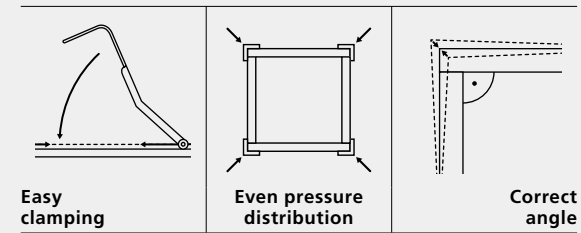
Dimension	100 × 100 × 230 mm	
Volume	300 ml	
Material	Base	Maple
	Bottle	Plastic
	Nozzle	Metal/Plastic

Clamping set

Clamping system for cabinets



Features



Clamping set is a system for glueing cabinets and various other components in furniture production and is an addition to the Lamello System. The clamping set consists of profile sections to protect the edges, 8 meter long straps with tensioners and two tension hooks. Unlike with screw clamps, the pressure distribution is always uniform, which means furniture is automatically clamped at right angles regardless of whether the panels are glued in a butt or mitre joint.

Clamping set is ideal for drawers, cabinets, frames or wall and floor panels.

Articles



Clamping set		Art. No.
20 cm	1 piece of clamps 8 m strap 4 pieces profile sections 20 m	175021
60 cm	2 pieces of clamps 2 pieces 8 m straps 4 pieces profile sections 60 cm 2 pieces tension hooks	175020

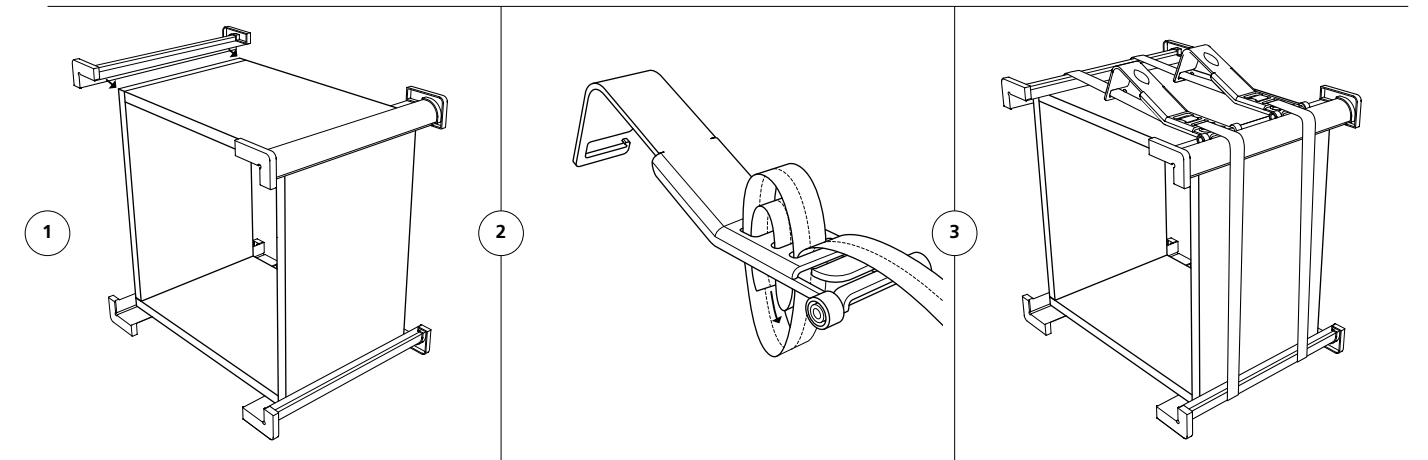


Tension hooks		Art. No.
2 pieces		175200



Profile sections		Art. No.
4 pieces, length 12 cm		175401
4 pieces, length 40 cm		175402
4 pieces, length 60 cm		175403

Function



Technical data

Min. workpiece length	150 mm	
Material	Aluminium protectors	Anodised aluminium
	Polyester belt for clamps	Polyester
	Clamps/Tension hooks	Metal powder-coated

www.lamello.com

Experience the clamping set live and receive comprehensive product information!

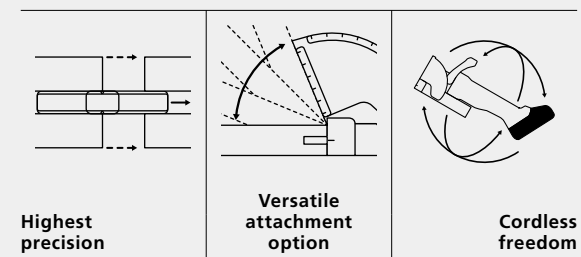


Classic X cordless

The original biscuit joiner – precise and cordless



Features



Classic X cordless is the original, battery-powered biscuit joiner from the inventor of the Lamello system for cutting the 4 mm groove. The proven and well-designed Classic X cordless is fast and versatile in its use and the basis for the wide range of connectors with fixed, self-clamping and detachable solutions. Precision in every component leads to perfect accuracy of the workpieces, and the cordless freedom means even more flexible application. The multifunctional stop square allows perfect mitres by applying on the exterior surface and stabilises the machine in vertical position.

Articles



Classic X cordless biscuit joiner	Art. No.
In systainer, incl. 2 batteries and charger, plug type C Euro	101701DES
In systainer, without batteries, without charger	101700DES
In carton, without batteries, without charger	101700DEK
In systainer, incl. 2 batteries and charger, plug type G	101701GBS
In systainer, without batteries, without charger	101700GBS
In carton, without batteries, without charger	101700GBK

For other plug versions please contact your local Lamello specialist



Kit contains

Classic X cordless biscuit joiner, 2 x battery pack 18 V, LiHD 4.0 Ah*, battery charger ASC 55*, suction stub 36 mm, stop square, spacer 4 mm, dust bag, tool set

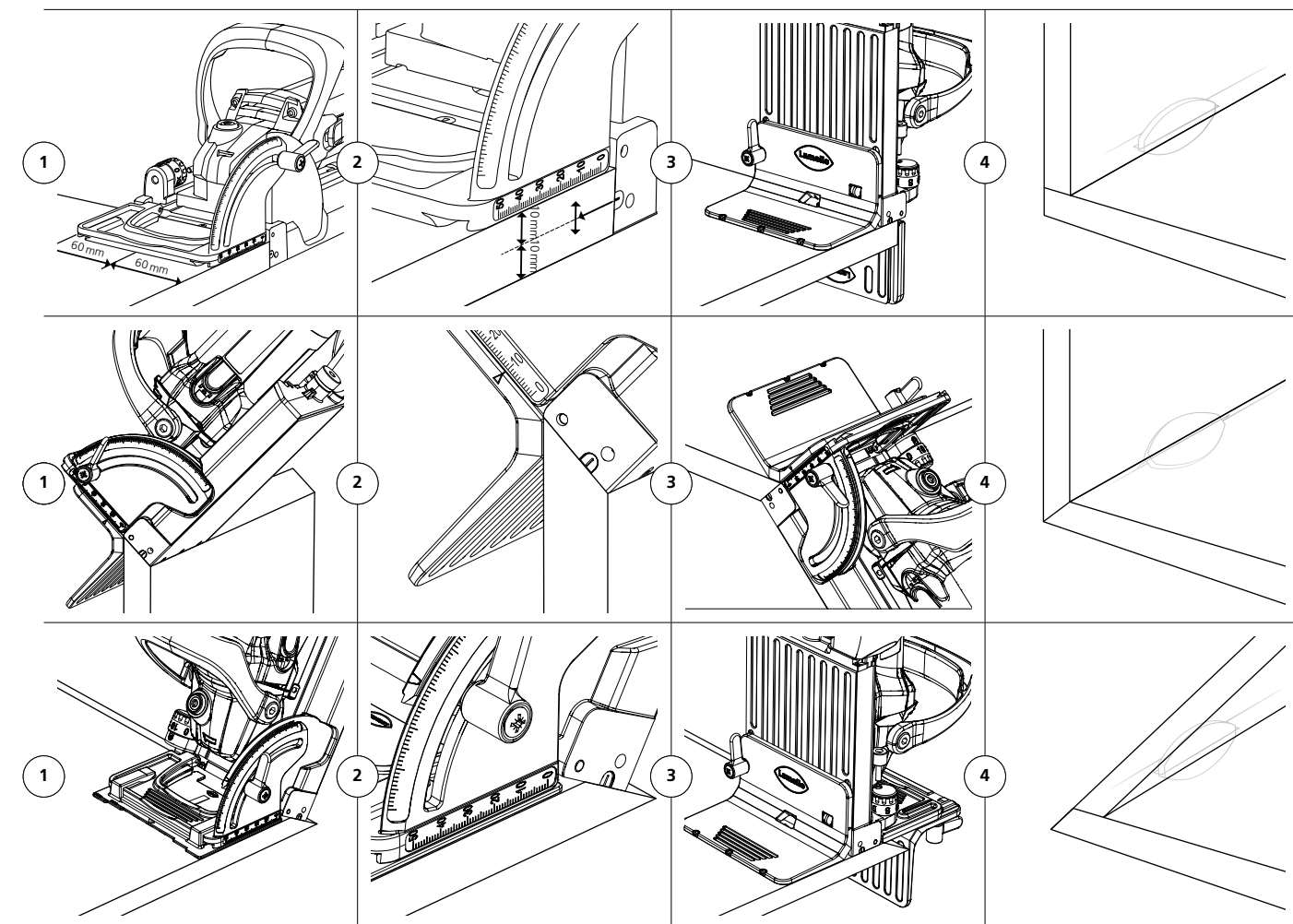
** Only included in art. No. 101701DES/101701GBS*

www.lamello.com
Experience Classic X cordless live and receive comprehensive product information!



More information regarding the battery system on **PAGES 54–57**

Function



Technical data

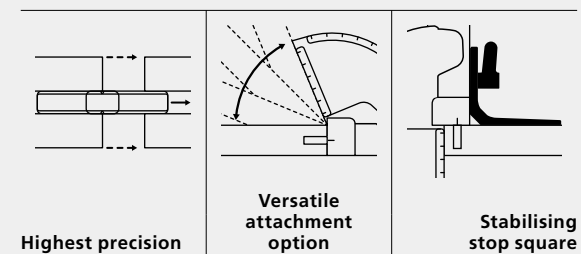
Battery voltage	18 V	Groove width	4 mm
Speed	6 000 min ⁻¹	Groove depth max.	20 mm
Cutter	Ø 100 x 4 x 22 mm	Weight	3.1 kg incl. battery

Classic X

The original biscuit joiner for every workshop



Features



Classic X is the original biscuit joiner from the inventor of the Lamello System for cutting the 4 mm groove.

The proven and well-designed Classic X is fast and versatile in its use and the basis for the wide range of connectors with fixed, self-clamping and detachable solutions.

Precision in every component leads to perfect accuracy of the workpieces and saves time. The multifunctional stop square allows perfect mitres by applying on the exterior surface and stabilises the machine in vertical position.

Articles



Classic X	Art. No.
In systainer ³ M, plug type F Schuko	101602DES
In carton, plug type F Schuko	101602DEK
In systainer ³ M, plug type G	101602GBS
In carton, plug type G	101602GBK
In systainer ³ M, plug type C	101602CHS
In carton, plug type C Euro	101602CHK

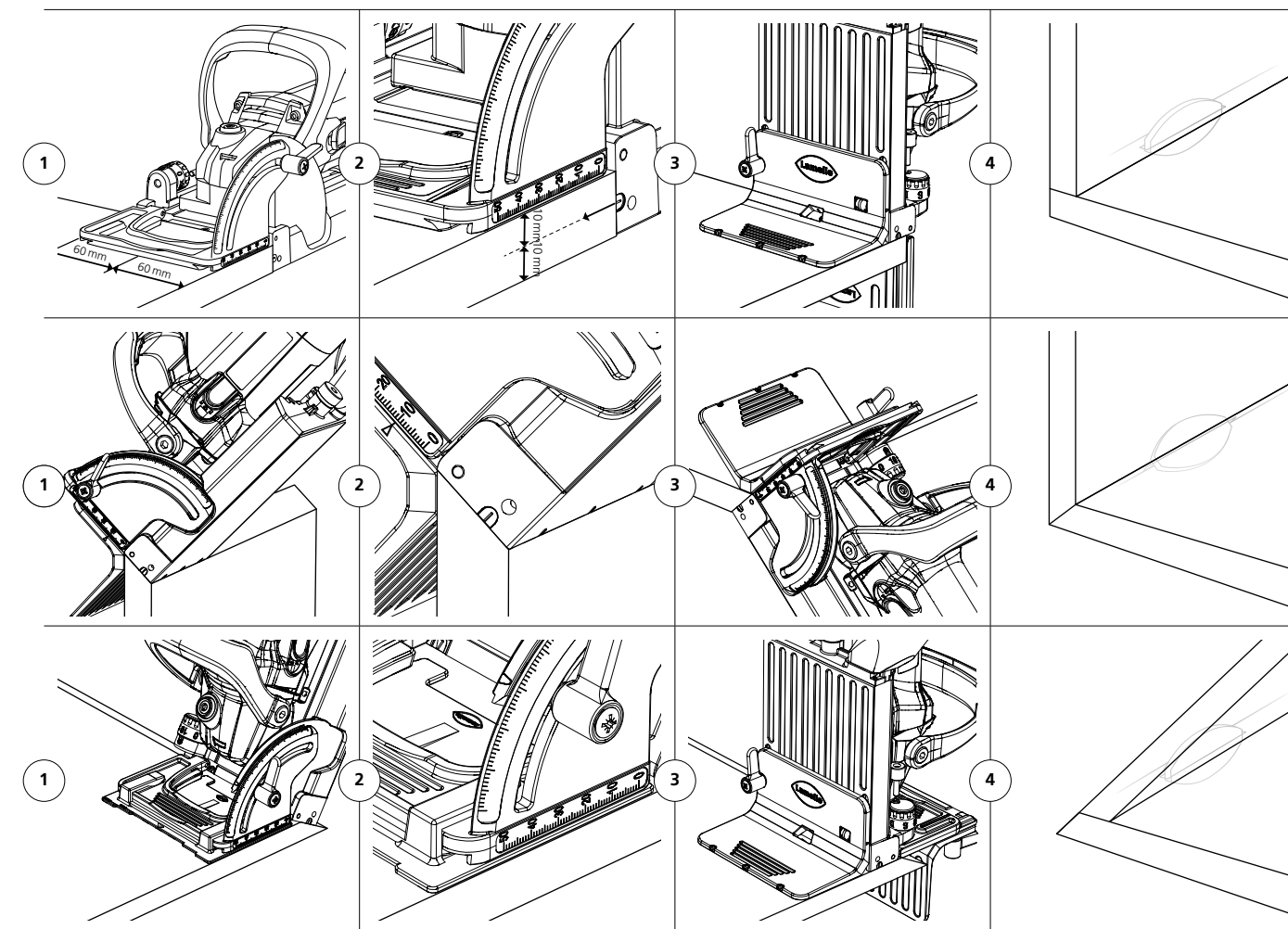
For other plug versions please contact your local Lamello specialist



Kit contains

Classic X, groove cutter HW (carbide), suction stub 36 mm, stop square, spacer 4 mm, tool set

Function



Technical data

Power/Voltage	850 W/230 V or 120 V	Teeth	Z6 (3+3) with reversing teeth
Speed	10 000 min ⁻¹	Cutting depth max	20 mm
Cutter	Ø 100 × 4 × Ø 22 mm	Weight	2.9 kg

www.lamello.com
Experience Classic X live and receive comprehensive product information!

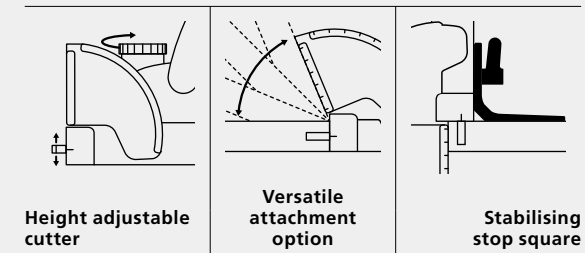


Top 21

The original biscuit joiner with height adjustable blade from the inventor



Features



Top 21 is the biscuit joiner from the inventor of the Lamello System and includes a height adjustable blade for cutting the 4 mm groove. The unique height adjustment of the cutter in steps from 0.1 mm to max. 4 mm allows positioning the groove in the middle of the material thickness.

Precision in every component leads to perfect accuracy of the workpieces and saves time. The multifunctional stop square allows perfect mitres by applying on the exterior surface and stabilises the machine in vertical position.

Articles



Top 21 with groove cutter HW (carbide)	Art. No.
In systainer ³ M, plug type F Schuko	101501DES
In systainer ³ M, plug type G	101501GBS
In systainer ³ M, plug type C Euro	101501CHS

Top 21 with carbide reversing blade cutter	Art. No.
In systainer ³ M, plug type F Schuko	101501DESW

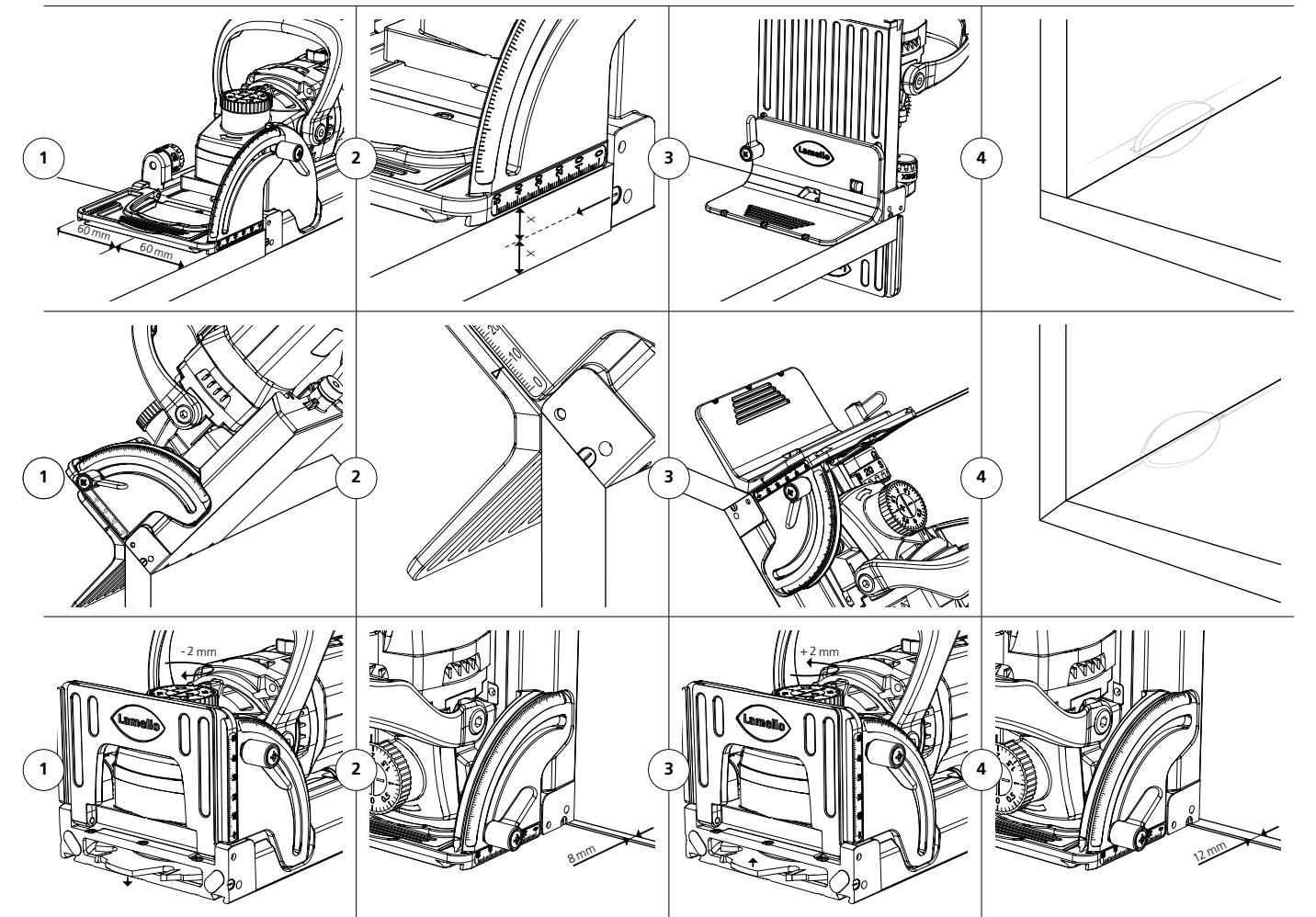
For other plug versions please contact your local Lamello specialist



Kit contains

Top 21, groove cutter HW, suction stub 36mm, dust bag, stop square, spacer 4 mm, tool set

Function



Technical data

Power/Voltage	1 050 W/230 V 800 W/120 V	Teeth	Z2 + V4 with scoring teeth
Speed	9 000 min ⁻¹	Cutting depth max	20 mm
Cutter	Ø 100 x 4 x Ø 22 mm	Weight	3.5 kg

www.lamello.com
Experience Top 21 live and receive comprehensive product information!



Accessories

Classic X cordless, Classic X and Top 21

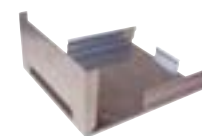
Accessories



Stop square
for Zeta P2, Top 21, Classic X Art. No. **251044**
For stabilising the biscuit joiner in the vertical position, ideal for obtuse mitre joints



Spacer for Zeta P2, Top 21, Classic X Art. No.
5 mm, aluminium for 18 mm panels **253027**
2 mm, plastic for 16 mm panels **253023**
4 mm, plastic for mitres **253026**



Slide shoe for biscuit joiner Art. No. **251057**
To protect the wall and the machine for Zeta P2/Top 21/Classic X



Carbide tipped saw blades HW (carbide)
for expansion gaps, $\text{Ø } 100 \times 2.4 \times \text{Ø } 22 \text{ mm}$ Art. No. **132350**
Z20, 4 screw holes, 2 spacers
for Zeta P2/Top 21/Classic X



Groove cutter
HW (carbide), $\text{Ø } 100 \times 4 \times \text{Ø } 22 \text{ mm}$ Art. No. **132000**
Z2 + V4 scoring teeth, 4 screw holes, hub
for Zeta P2/Top 21/Classic X



Z6 alternating teeth, without hub, Art. No. **132106**
with spacer for Classic X



Groove cutter HW (carbide), $\text{Ø } 78 \times 3 \times \text{Ø } 22 \text{ mm}$ Art. No. **132009**
Z4, 4 Screw holes, with hub for original wooden biscuit H9 for Zeta P2/Top 21/Classic X



Groove cutter HW (carbide) with reversible blades,
 $\text{Ø } 100 \times 8 \times \text{Ø } 22 \text{ mm}$ (Clamex S-18 connector) Art. No. **132108**
Z4 + V4, 4 screw holes for Top 20/Top 21/Classic X



Dust bag Art. No. **257532**
For Zeta P2/Top 21/Classic X



Suction stub 36 mm Art. No. **331007**
For biscuit joiner (Festool compatible)



Deflector stub Art. No. **331005**
For biscuit joiner

Batteries



Batteries Art. No.
Battery pack 18 V, LiHD 4.0 Ah **313013**
Battery pack 18 V, LiHD 5.5 Ah **313015**
Battery charger ASC 55, plug type C Euro **123100DE**
Battery charger ASC 55, plug typeG **123100GB**

Original Lamello biscuit joiners

These properties make the difference

Features

Multifunctional stop square included in the kit

Both sides flush surfaces

The baseplate, swivelling front and stop square are flush on both sides of the machine for efficient positioning of the biscuit joiner on the work piece's outer edge



Vertical stability by attaching to the baseplate to increase the surface



Perfect precision of mitres by applying on the outer surface for 22.5 and 45° angles



Variable positioning of the groove from the application surface 0–50 mm

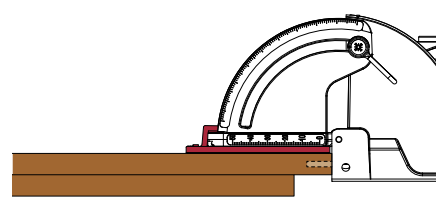
Swivelling front with fixed rotational point

Exactly the same referencing distances from either the swivelling front or the base plate = 8 mm

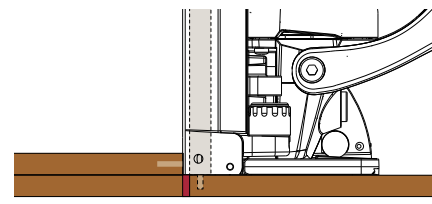
Allows alternating the application surface from the swivelling front **1.** to the baseplate **2.** Especially important when cutting thin dividing panel connections



- **Safe process** guarantees always precise, parallel grooves
- **No inaccuracies or source of mistakes** because the height cannot be adjusted



Application with the swivelling front
With the 4 mm spacer for 12 mm dividing panel (groove in the centre)



Application with the baseplate
The dividing panel (moved by 4 mm) serves as application surface

High-precision machined application surfaces



– **CNC machined high-precision application surfaces** for exact application on the workpiece



– **Long-life precision guide** provides exact, parallel grooves for perfect fit of the workpieces

Versatile use ...

... with various connecting elements.

Join workpieces at different angles and in different joining methods with the Classic X and Top 21. Suitable for individual pieces of furniture as well as prototypes and line production.

With 4 mm Lamello System groove cutter



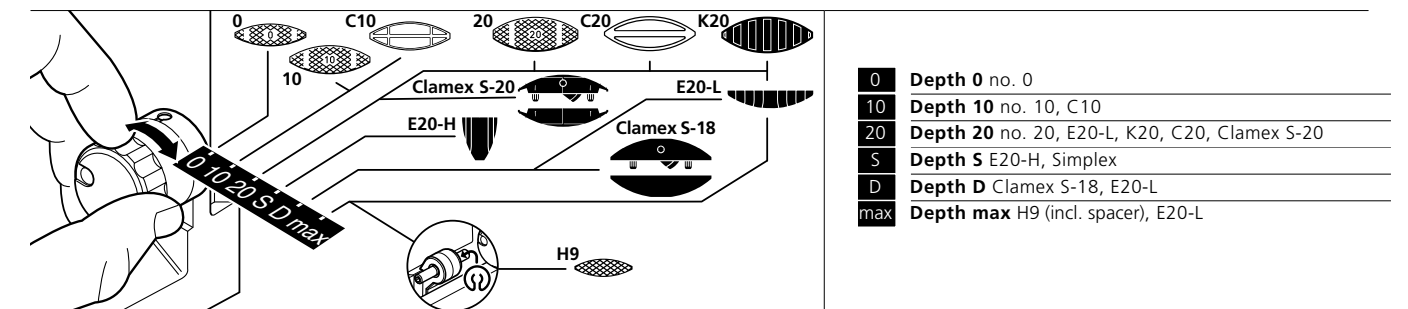
With 8 mm Lamello System groove cutter



With 3 mm Lamello System groove cutter



Lamello depth adjustment system



Technical information

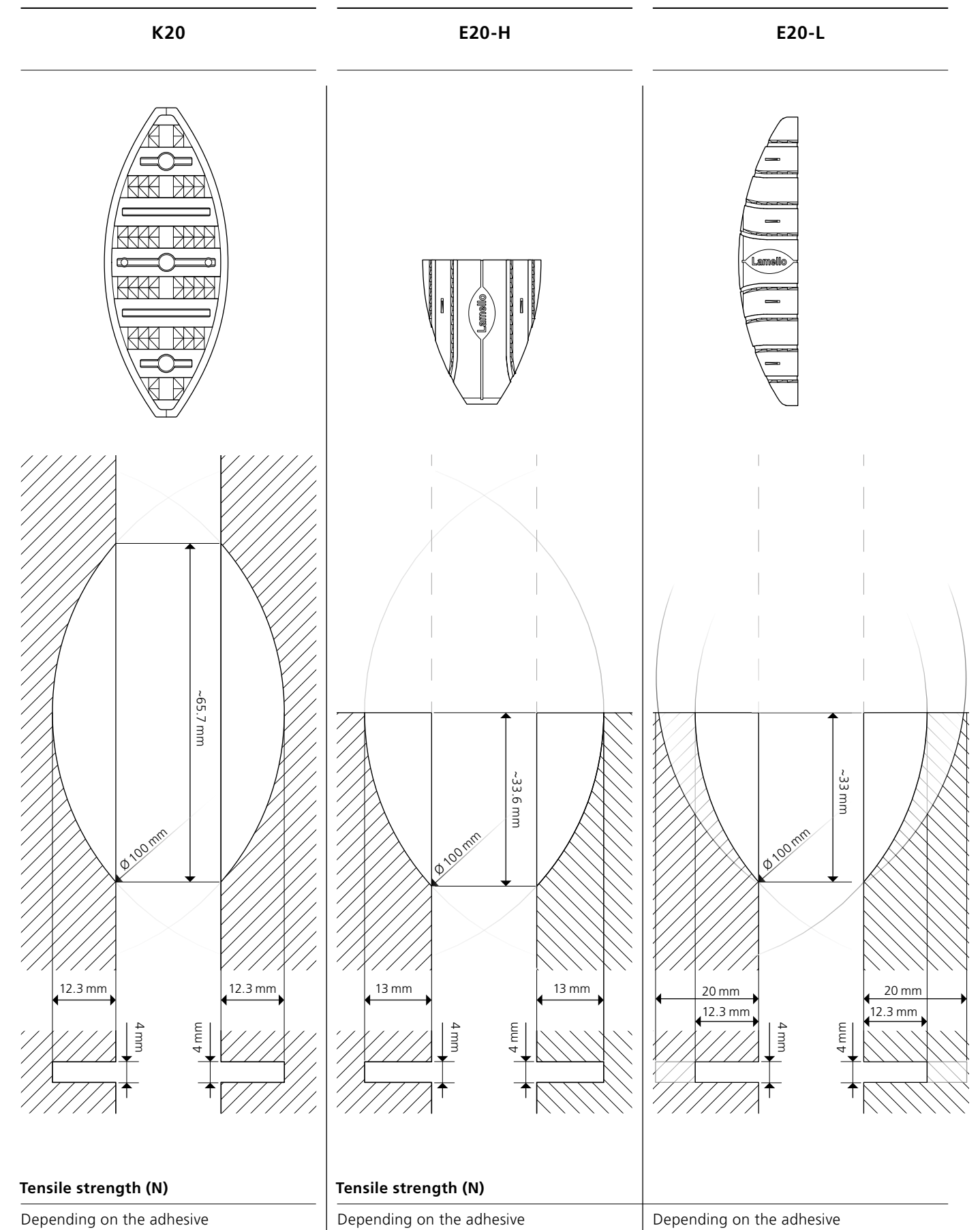
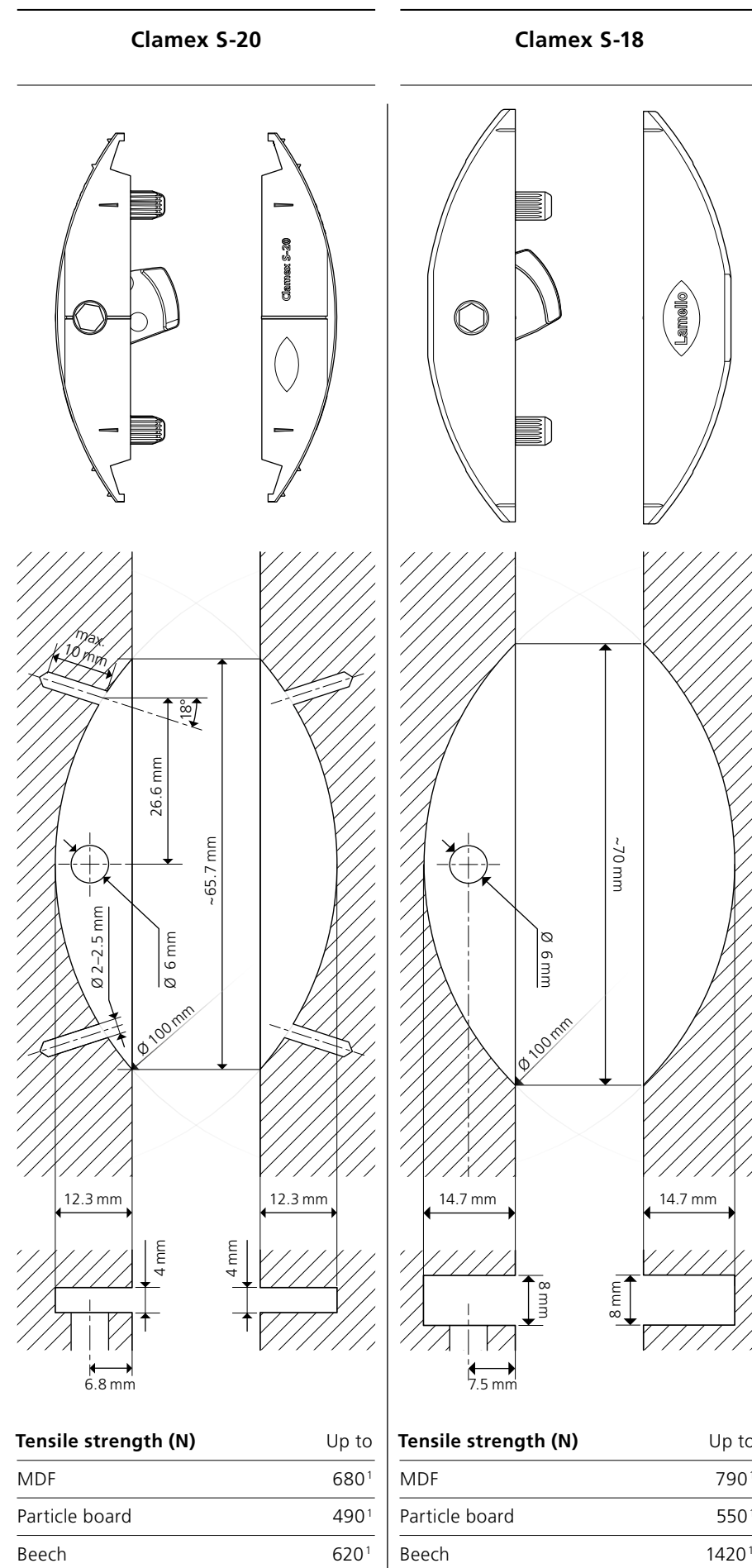
Overview of connectors + grooves (scale 1:1)

Original wood biscuit 20	Original wood biscuit 10	Original wood biscuit 0
<p>Tensile strength (N) Depending on the adhesive</p>	<p>Depending on the adhesive</p>	<p>Depending on the adhesive</p>

Original wood biscuit H9	C20	C10
<p>Tensile strength (N) Depending on the adhesive</p>	<p>Tensile strength (N) Depending on the adhesive</p>	<p>Depending on the adhesive</p>

Technical information

Overview of connectors + grooves (scale 1:1)



Accessories / Spare Parts

Lamello System

Lamello System



Stop square for Zeta P2, Top 21, Classic X Art. No. **251044**
For stabilising the biscuit joiner in the vertical position, ideal for obtuse mitre joints



Spacer for Zeta P2, Top 21, Classic X Art. No. **253027**
5 mm, aluminium for 18 mm panels
253023
2 mm, plastic for 16 mm panels
253026
4 mm, plastic for mitres



Systainer³ M187, with insert and 6 partitions Art. No. **331579E**
Systainer³ M187, with insert and 6 partitions
331579
Systainer³ M187, empty



Insert with two partitions for Systainer³ M187 Art. No. **360024**
360019
Divider for insert 360024



Systainer³ M187 plastic insert Art. No. **360020**
For Zeta P2/Top21/Classic X



Sortainer Art. No. **331581**
Sortainer incl. dividers
RAL 7035 light grey, RAL 3004 purple red



Groove cutter HW (carbide), Ø 100 × 4 × Ø 22 mm Art. No. **132000**
Z2 + V4 scoring teeth, 4 screw holes, hub for Zeta P2/Top 21/Classic X



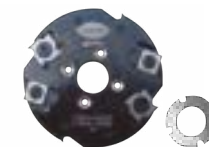
Z6 alternating teeth, without hub, with spacer Art. No. **132106**
for Classic X



Groove cutter HW (carbide), Ø 78 × 3 × Ø 22 mm Art. No. **132009**
Z4, 4 Screw holes, with hub for original wooden biscuit H9 for Zeta P2/Top 21/Classic X



Groove cutter HW (carbide) with reversible blades, Ø 100 × 4 × Ø 22 mm Art. No. **132001**
Z2 + V2, 4 screw holes with hub for Zeta P2/Top 21/Classic X
Set of 4 pieces **132111**
Countersunk screws **352408T**
Allen key, 4 mm **271959L**



Groove cutter HW (carbide) with reversible blades, Ø 100 × 4 × Ø 22 mm Art. No. **132130**
Z4 + V4, 4 screw holes without hub, with spacer for Zeta P2/Top 21/Classic X
Set of 10 pieces main teeth **132134**
Set of 10 pieces scoring teeth **132135**
Replcement set, 4 scoring teeth + 4 main teeth **132133**
Screws **352130**
Torx key **352133**



Groove cutter HW (carbide) with reversible blades, Ø 100 × 8 × Ø 22 mm (Clamex S-18 connector) Art. No. **132108**
Z4 + V4, 4 screw holes for Top 20/Top 21/Classic X
Set of 10 pieces scoring teeth **132137**
Set of 10 pieces main teeth **132136**
Replcement set, 4 scoring teeth + 4 main teeth **132114**



Dust bag Art. No. **257532**
For Zeta P2/Top 21/Classic X

Batteries

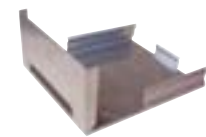


Batteries Art. No. **313013**
Battery pack 18 V, LiHD 4.0 Ah
313015
Battery pack 18 V, LiHD 5.5 Ah
Battery charger ASC 55, plug type C Euro **123100DE**
Battery charger ASC 55, plug typeG **123100GB**

Accessories/ Spare Parts

Lamello System

Lamello System



Slide shoe for biscuit joiner Art. No.
To protect the wall and the machine **251057**
for Zeta P2/Top 21/Classic X



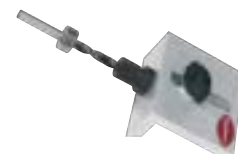
Carbide tipped saw blades HW (carbide)
for expansion gaps, Ø 100 x 2.4 x Ø 22 mm Art. No.
Z20, 4 screw holes, 2 spacers **132350**
for Zeta P2/Top 21/Classic X



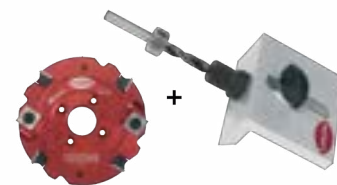
Accessories for saw blades Art. No.
Spacer, Ø 40 x 1 x Ø 22 mm **322510**
with screw holes
for Zeta P2/Top 21/Classic X



Art. No.
Flange M8 to saw blades **252502**



Clamex S-18 drill jig Art. No.
Clamex S drill jig 30°–150°, **125240**
with 6 mm drill complete



Clamex S-18 set Art. No.
Drill jig for 30°–150° incl. drill and carbide **125250**
tipped groove cutter
with drill jig and cutter
includes 1 set 125240 and 1 piece 132108



Clamex S-20 drill jig Art. No.
Incl. drill Ø 6 mm **125253**



Clamex S-20 Drilling and alignment jig Art. No.
Clamex S-20 Drilling and alignment jig **125254**



Torx-Bit Art. No.
1/4" TX 10 L=25 **121281**



Clamex wood drill Art. No.
Ø 6 mm **131506**



Clamex assembly tool Art. No.
For all angles, fast and flexible, hex 4 x 30 mm, **251993**
length 290 mm

Clamping set parts



Clamps Art. No.
5 m clamping strap **175005**
8 m clamping strap **175008**
10 m clamping strap **175010**



Buckle for clamps Art. No.
1 piece, without strap **175060**



Polyester strap for clamps Art. No.
1 roll of 50 m **175050**



Art. No.
Per meter m¹ **335000**



Tension hooks Art. No.
2 pieces **175200**



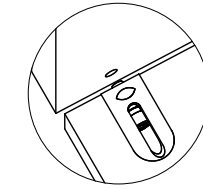
Profile sections Art. No.
4 pieces, length 12 cm **175401**
4 pieces, length 40 cm **175402**
4 pieces, length 60 cm **175403**

Drilling System

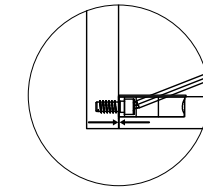
Unique drilling systems for high demands on productivity and aesthetics



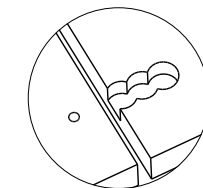
Features Cabineo



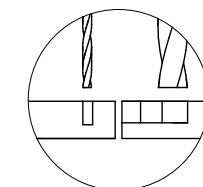
Fast assembly



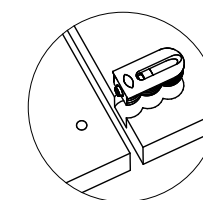
High clamping force



No edge drilling

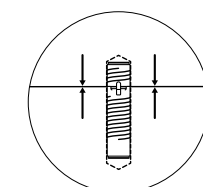


No dowel holes

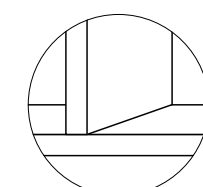


One-piece and pre-installed

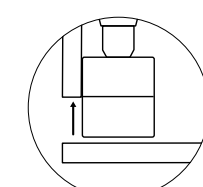
Features Invis Mx2



High clamping force



Invisible



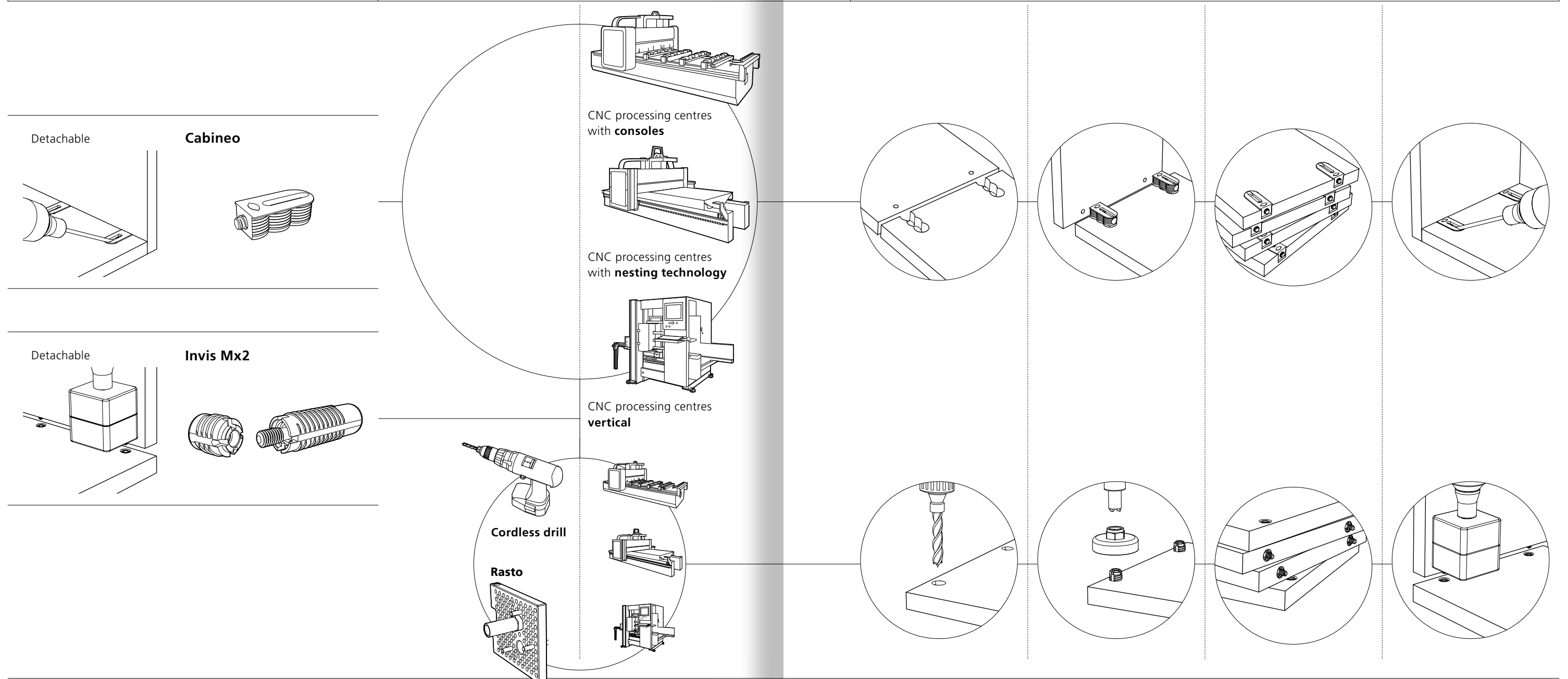
Detachable

Drilling System

- Cabineo
- Invis Mx2

Overview

Features	Connector	Machines		Sequence			
		Power tool	CNC machines	1 Processing	2 Connector insertion	3 Deliver flat pack	4 Assembly





« The fitting impressed us due to its simple processing, time-saving assembly, detachability and high clamping force. »

Karl Lenhart jun., Owner, Lenhart joinery in the Tyrolean uplands

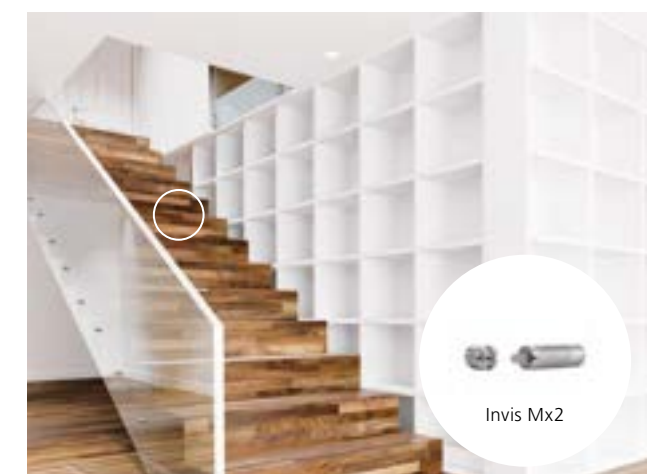
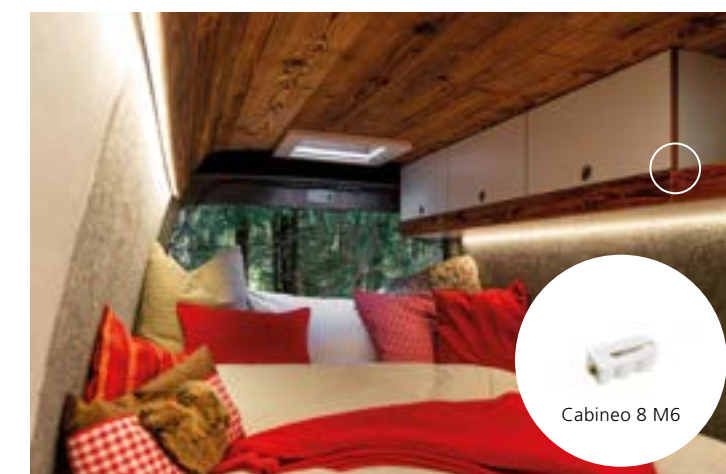
Drilling System

Applications

Furniture manufacturing



Interior fitting



Drilling System

Applications

Kitchen manufacturing



Commercial joinery



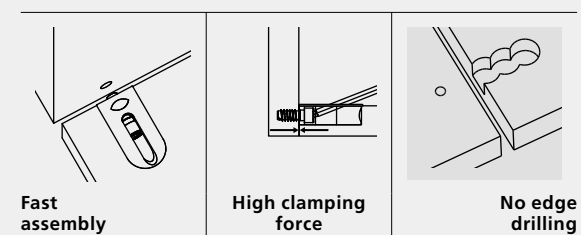
Shop fitting

Cabineo 12

Time-saving cabinet connector for corner joints from 13 mm



Features



Cabineo 12 is a one-piece cabinet connector which can be used with all CNC machines because only surface machining is required. The Cabineo is installed in the board either in the workshop or on site. The pre-assembled screw in the connector is screwed into the 5 mm hole of the second workpiece using a cordless drill. Cabineo impresses with its time-saving processing and assembly as well as the high clamping force which leads to stable connections without the need for additional dowels. Cabineo is available in white or black.

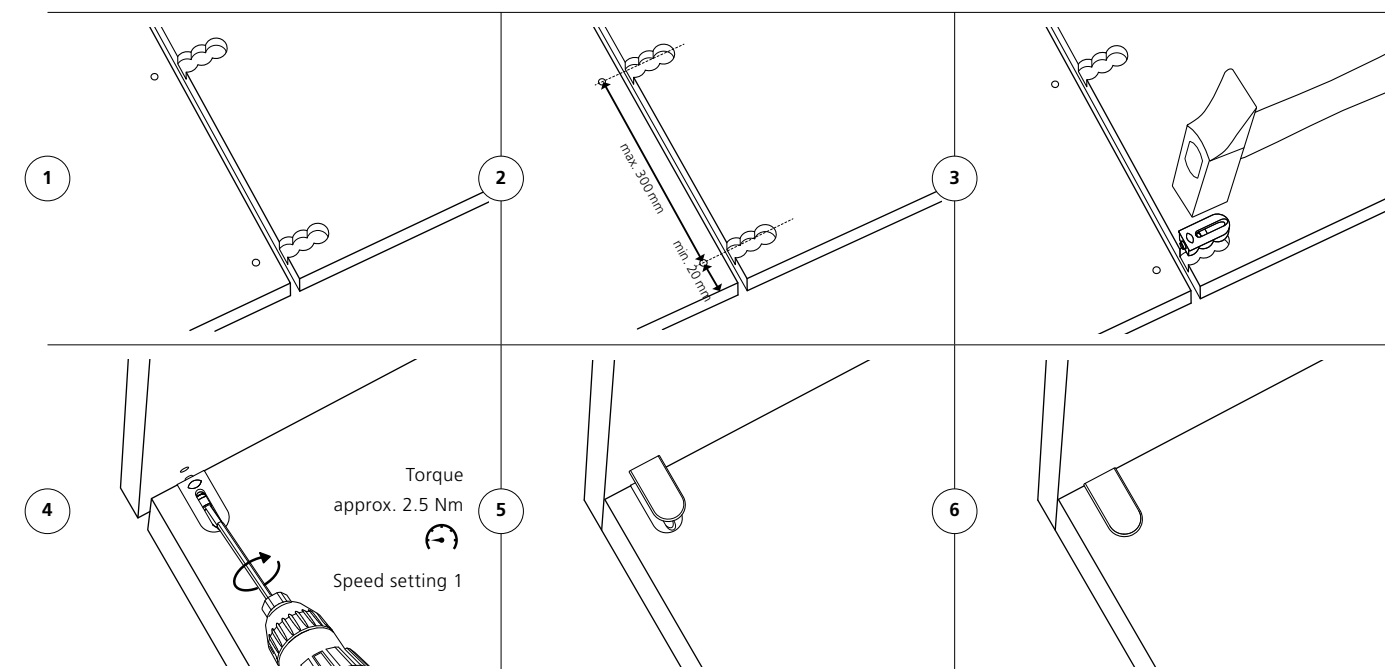
Articles

	
Cabineo 12	Art. No.
500 pieces	186320
2000 pieces	186321
Cabineo 12 black	
500 pieces	186330
2000 pieces	186331



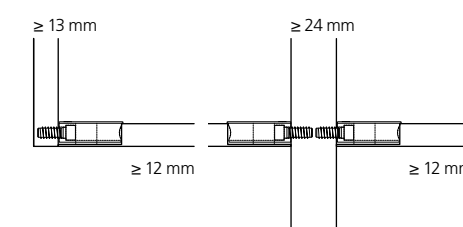
Cabineo 8/12 starter set	Art. No.
Cabineo 8 + 12 (40 pieces each), incl. Cabineo hex bit and set of cover caps (40 pieces)	186305

Function



Technical data

Joining methods	Size	33.8 × 16.5 × 10.8 mm		
	Screw length	12 mm		
	Cutter	Ø 12 mm or smaller		
	Drill	Ø 5 mm and Ø 15 mm		
	Material housing	Fiberglass reinforced plastic		
	Installation tolerance	Long. ± 0.1 mm		
	Strength per connector without dowel (N)			
	Particle board 19 mm Up to	Tensile strength (N)	820 ¹	
		Shear strength (N)	880 ¹	
			10 N ~ 1 kg	
Material range	Particle board, MDF, plywood, softwood, hardwood etc.			



www.lamello.com
Experience the connector live and receive comprehensive product information!

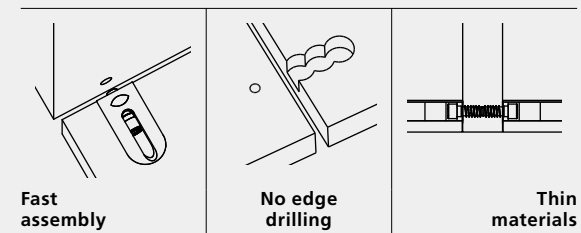


Cabineo 8

Time-saving cabinet connector for centre panels from 16 mm



Features



Cabineo 8 is a one-piece cabinet connector which can be used with all CNC machines because only surface machining is required. The Cabineo is installed in the board either in the workshop or on site. The pre-assembled screw in the connector is screwed into the 5 mm hole of the second workpiece using a cordless drill. Cabineo impresses with its time-saving processing and assembly as well as the high clamping force which leads to stable connections without the need for additional dowels.

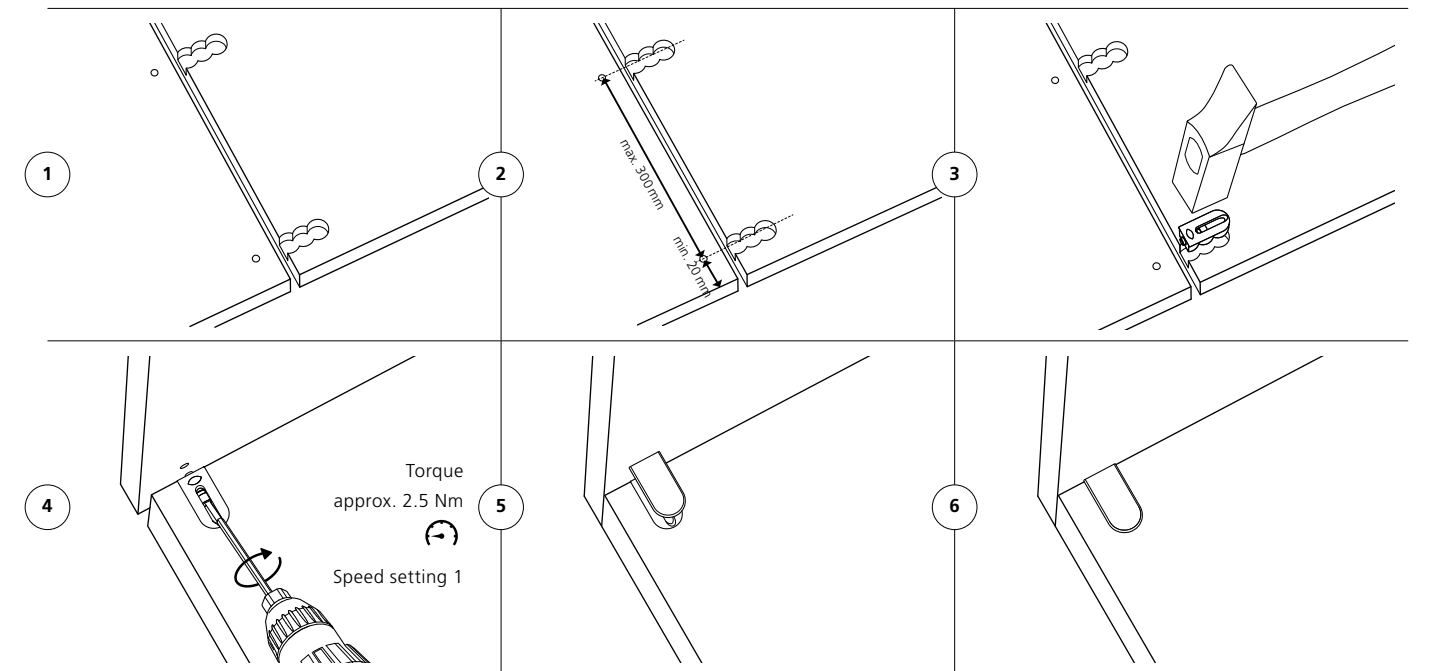
Articles

		Art. No.
Cabineo 8		
500 pieces		186310
2000 pieces		186311
Cabineo 8 black		
500 pieces		186340
2000 pieces		186341



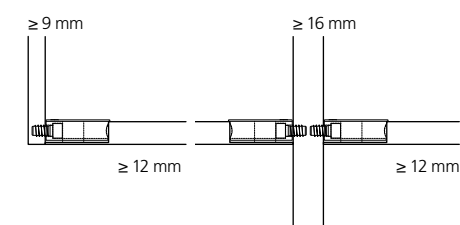
Cabineo 8/12 Starter set	Art. No.
Cabineo 8 + 12 (40 pieces each), incl. Cabineo hex bit and set of cover caps (40 pieces)	186305

Function



Technical data

Joining methods	Size	33.8 x 16.5 x 10.8 mm	
	Screw length	8 mm	
	Cutter	Ø 12 mm or smaller	
	Drill	Ø 5 mm and Ø 15 mm	
	Material housing	Fiberglass reinforced plastic	
	Installation tolerance	Long. ± 0.1 mm	
	Strength per connector without dowel (N)		
	Particle board 19 mm Up to	Tensile strength (N)	Shear strength (N)
		520 ¹	530 ¹
		10 N ~ 1 kg	
	Material range	Particle board, MDF, plywood, softwood, hardwood etc.	



www.lamello.com
Experience the connector live and receive comprehensive product information!



Cabineo 8 M6

Wear-resistant cabinet connector for various materials and increased strength



Features



Cabineo 8 M6 is a one-piece cabinet connector which can be used with all CNC machines because only surface machining is required. The connector is ideal when joining wood composites with materials such as aluminium, steel or compact laminate.

After installing the connector in the board, the pre-assembled metric screw is screwed into a threaded hole or a socket, using a cordless drill.

Cabineo impresses with its time-saving processing and assembly as well as the high clamping force which leads to stable connections without the need for additional dowels. Cabineo is available in white or black.

Articles

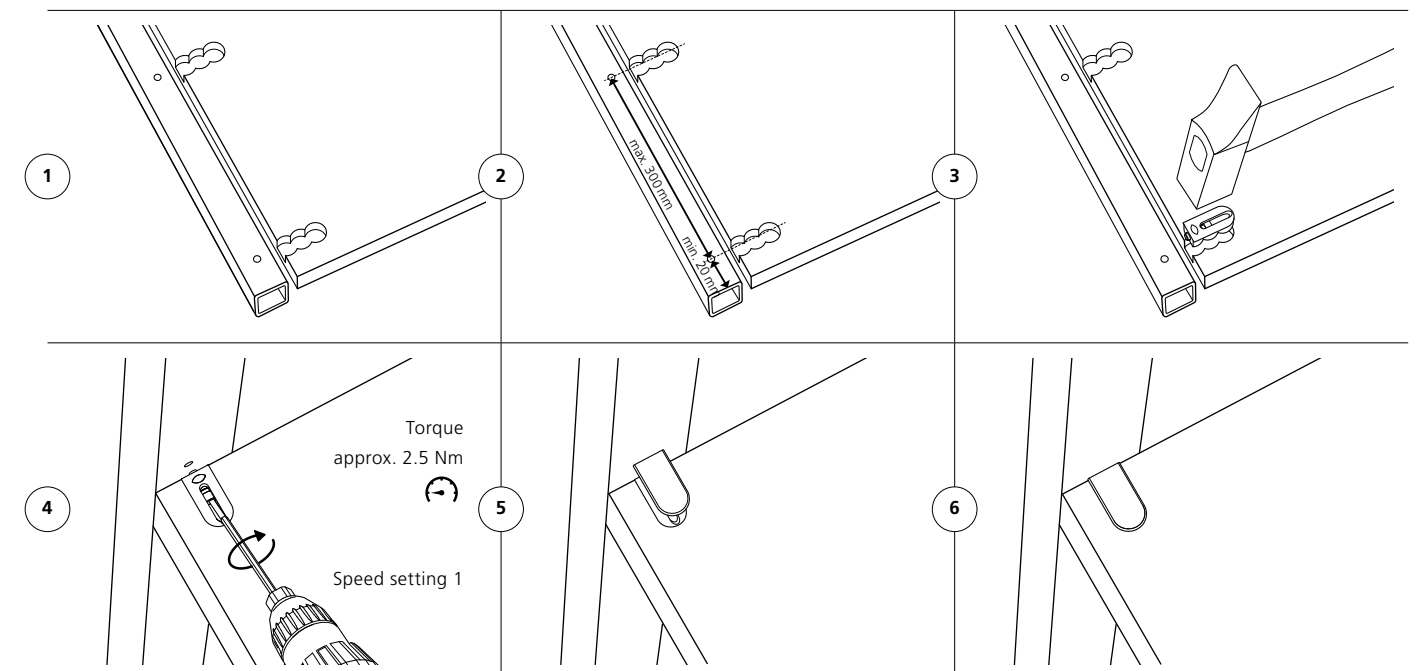


Cabineo 8 M6	Art. No.
500 pieces, metric thread M6	186315
2000 pieces, metric thread M6	186316
Cabineo 8 M6 black	Art. No.
500 pieces, metric thread M6	186345
2000 pieces, metric thread M6	186346



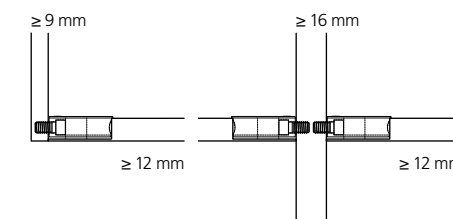
Cabineo 8 M6 Starter set	Art. No.
Cabineo 8 M6 (80 pieces), insert and cover caps (40 pieces each), Cabineo insertion tool (1 piece), Cabineo hex bit 1/4" (1 piece)	186306

Function



Technical data

Joining methods		Size	33.8 × 16.5 × 10.8 mm
		Screw length	8 mm
		Cutter	Ø 12 mm or smaller
		Drill	Ø 15 mm
		Screw thread	M6
		Material housing	Fiberglass reinforced plastic
		Installation tolerance	Long. ± 0.1 mm
		Strength per connector without dowel (N)	
In HPL 12 mm Up to	Tensile strength (N)	2370 ¹	
	Shear strength (N)	1350 ¹	
		10 N ~ 1 kg	
Material range		Particle board, MDF, plywood, softwood, hardwood etc.	



www.lamello.com
Experience the connector live and receive comprehensive product information!

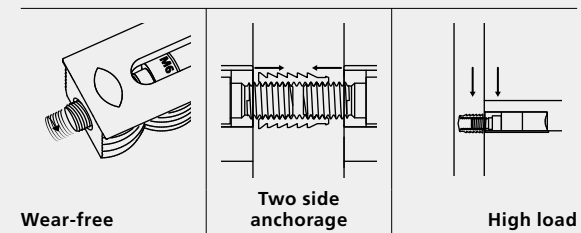


Cabineo insert M6

For repeated assembly and disassembly without loss of strength



Features



The Cabineo insert M6 is a threaded insert to drive in, which can be used in combination with the Cabineo 8 M6. It is ideal for applications where the thread cannot be cut directly into the workpiece or to increase the strength in corner and dividing panel joints. The Cabineo insert M6 is hammered into the through-hole of the middle panel so that the Cabineo can reach into the insert from both sides. The same connector and insert can be used everywhere for corner and dividing panels.

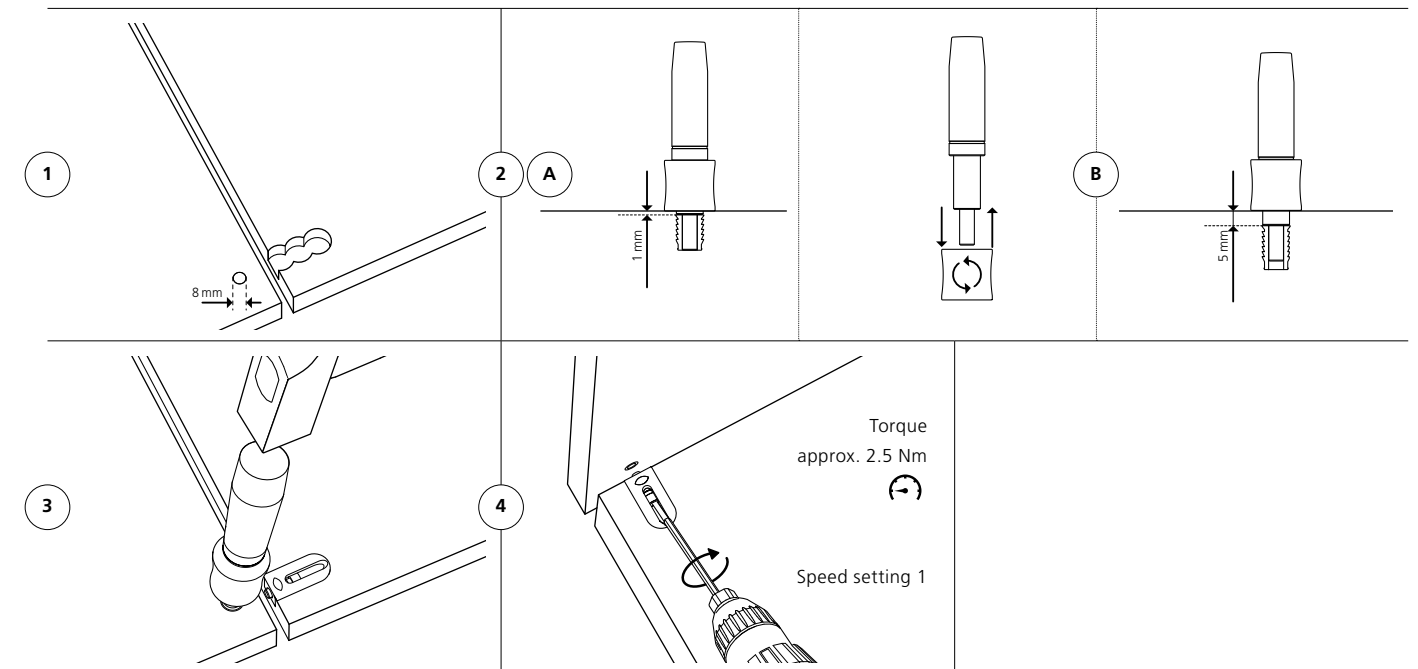
Articles

	Cabineo insert M6 x 12.3*	Art. No.
100 pieces		186370
500 pieces		186371

	Cabineo insert M6 x 15.3*	Art. No.
100 pieces, for dividing panels		186375
500 pieces, for dividing panels		186376

	Cabineo insert insertion tool	Art. No.
For insert M6		276310

Function



Technical data

Joining methods	Size $\varnothing 9.3 \times 12.3/15.3$ mm	
	Thread M6	
	Drill hole $\varnothing 8$ mm	
	Material Brass	
	Installation tolerance Long. ± 0.1 mm	
	Strength per connector without dowel (N)	
	Particle board 19 mm	Tensile strength (N)
	Up to	Shear strength (N)
	Insert M6 x 12.3	810 ¹
	Insert M6 x 15.3	940 ¹
		10 N ~ 1 kg
	Material range	Particle board, MDF, plywood, softwood, hardwood etc.

www.lamello.com
Experience the connector live and receive comprehensive product information!



* Cabineo insertion tool is included in delivery for the inserts.

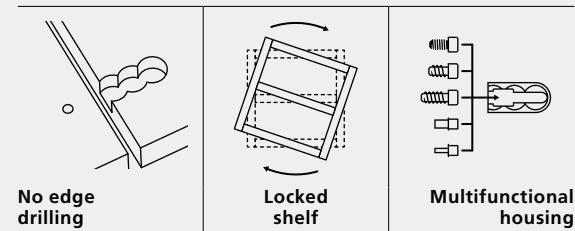
See **PAGE 149** for technical specifications | ¹ See comment on load limits on **PAGE 189**

Cabineo X

Cabinet connector and shelf support without edge drilling



Features



Cabineo X is a connector for cabinets and shelves, can be used with all CNC machines and is pressed into place in the workshop or on site. Due to the open housing, it is possible to insert a Cabineo screw from the top and screw it into the counterpart with a hexagon bit. Using it with screws, Cabineo X is ideal when installing shelves into already joined cabinets or when assembling corner joints. Combined with shelf supports, Cabineo X prevents shelves from being pulled out.


Articles

		Art. No.
Cabineo X		
500 pieces		186360
2000 pieces		186361

Cabineo X black		
500 pieces		186365
2000 pieces		186366

	Art. No.
Cabineo screw	
Cabineo 12, 500 pieces	186380
Cabineo 12, 2000 pieces	186381
Cabineo 8, 500 pieces	186382
Cabineo 8 M6, 500 pieces	186384

	Art. No.
Cabineo X shelf support	
Ø 5 mm, 500 pieces	186386
Ø 3 mm, 500 pieces	186388

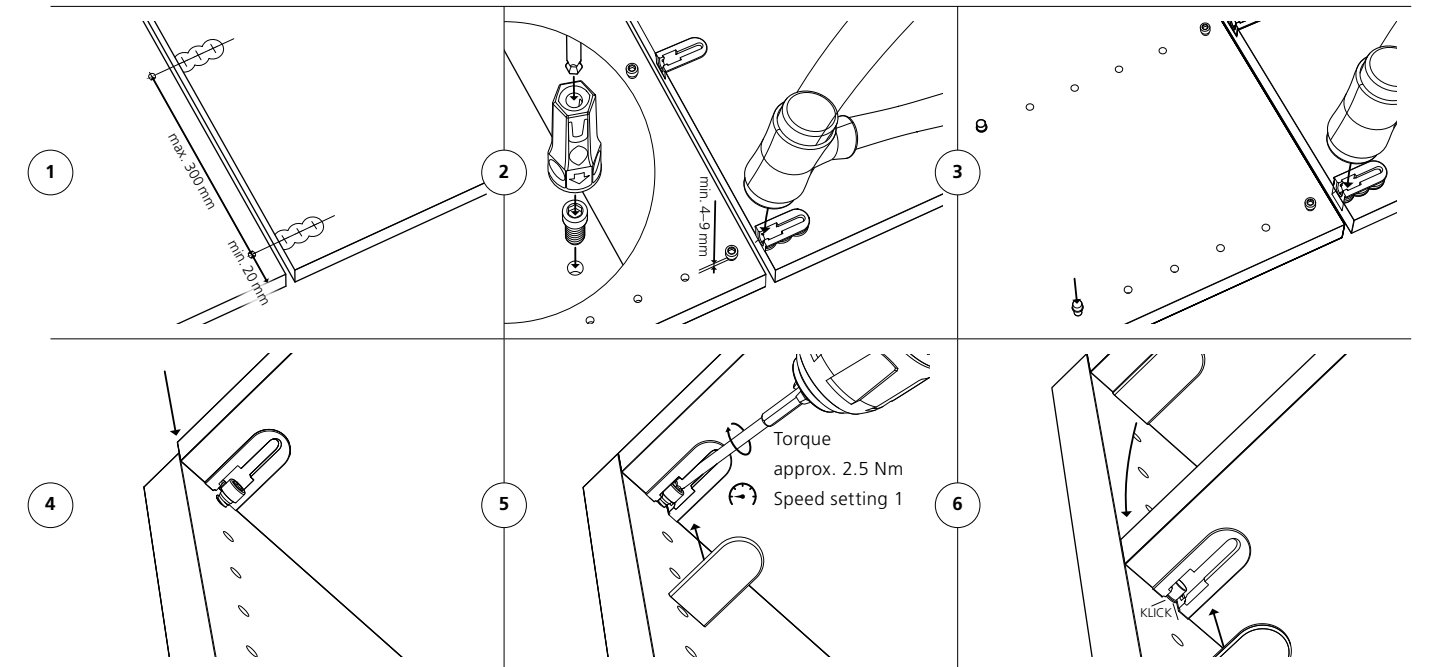
	Art. No.
Cabineo X starter set	
Cabineo X (80 pieces), Cabineo 12 screw (40 pieces), screws- or shelf supports variants (20 pieces each), cover cap signal white (40 pieces), Cabineo hexagon bit 1/4" GL 80 mm and the corresponding Cabineo X screw-in aid (1 piece each)	186307

www.lamello.com

Experience the connector live and receive comprehensive product information!



Function



Technical data

Joining methods	Size	33.8 x 16.5 x 10.8 mm	
	Screw length	8 mm or 12 mm	
	Shelf support	Ø 3 mm or Ø 5 mm	
	Cutter	Ø 12 mm or smaller	
	Drill	Ø 5 mm and Ø 15 mm	
	Material housing	Fiberglass reinforced plastic	
	Installation tolerance	Long. ± 0.5 mm	
	Strength per connector without dowel (N)		
	Particle board 19 mm Up to	Tensile strength (N)	Shear strength (N)
	Cabineo 8 screw	480 ¹	530 ¹
	Cabineo 12 screw	770 ¹	850 ¹
	Material range	Particle board, MDF, plywood, softwood, hardwood etc.	

See PAGE 148–149 for technical specifications | ¹ See comment on load limits on PAGE 189

Advantages of Cabineo

Simple, fast and strong

Cabineo compared with cam and dowel

1. Advantages in production

Time-saving in production



- Optimised process due to surface machining; no edge drilling necessary
- Only one tool change from 5 mm to 15 mm drill; no tool change for the dowel hole drill necessary
- No dowel holes means less drill holes per connector
- Shallow element of 10 mm allows for panels from 12 mm thickness

2. Advantages in transportation

Time-saving in transportation



- Efficient pre-installation of the one-piece connector in the factory
- Flat pack delivery with pre-installed connectors
- No extra bags or loose hardware required with furniture shipment
- Detachable for transport or if the fixed shelves need adjusting

3. Advantages in assembly

Time-saving in the assembly



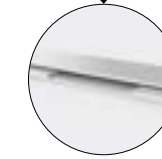
- One-piece connector without dowels; no pre-assembly of screws or dowels in the side panels necessary
- Easy positioning of the Cabineo in the corresponding hole due to the protruding screw
- Fast assembly with a cordless drill
- Installation of fixed shelves or vertical dividers in an already assembled unit



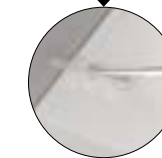
4 surface processing steps
1 tool change



Fit Cabineo into top or bottom shelf



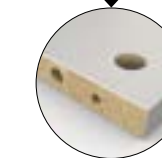
Flat pack the workpieces



Assemble using a cordless drill



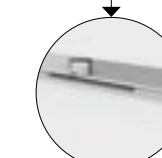
3 surface processing steps
2 tool changes



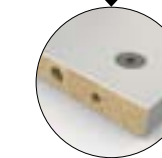
2 edge drill holes
1 tool change



Prepare fitting bag



Flat pack the workpieces



Insert cam into shelf



Install the screw in the side
Insert dowel into the side



Assemble using a screwdriver

Examples of manufacturing and assembly processes

Cabineo



Flatpack workpiece delivery with pre-assembled connector.



Place furniture side on base. The element is correctly positioned by the protruding screw.



Join furniture elements with cordless drill and Cabineo tool. Easy, fast working with preset torque approx. 2.5 Nm.



Position top and push towards the furniture side.



Screw front corner in place with a cordless drill. This makes one-man assembly easy.



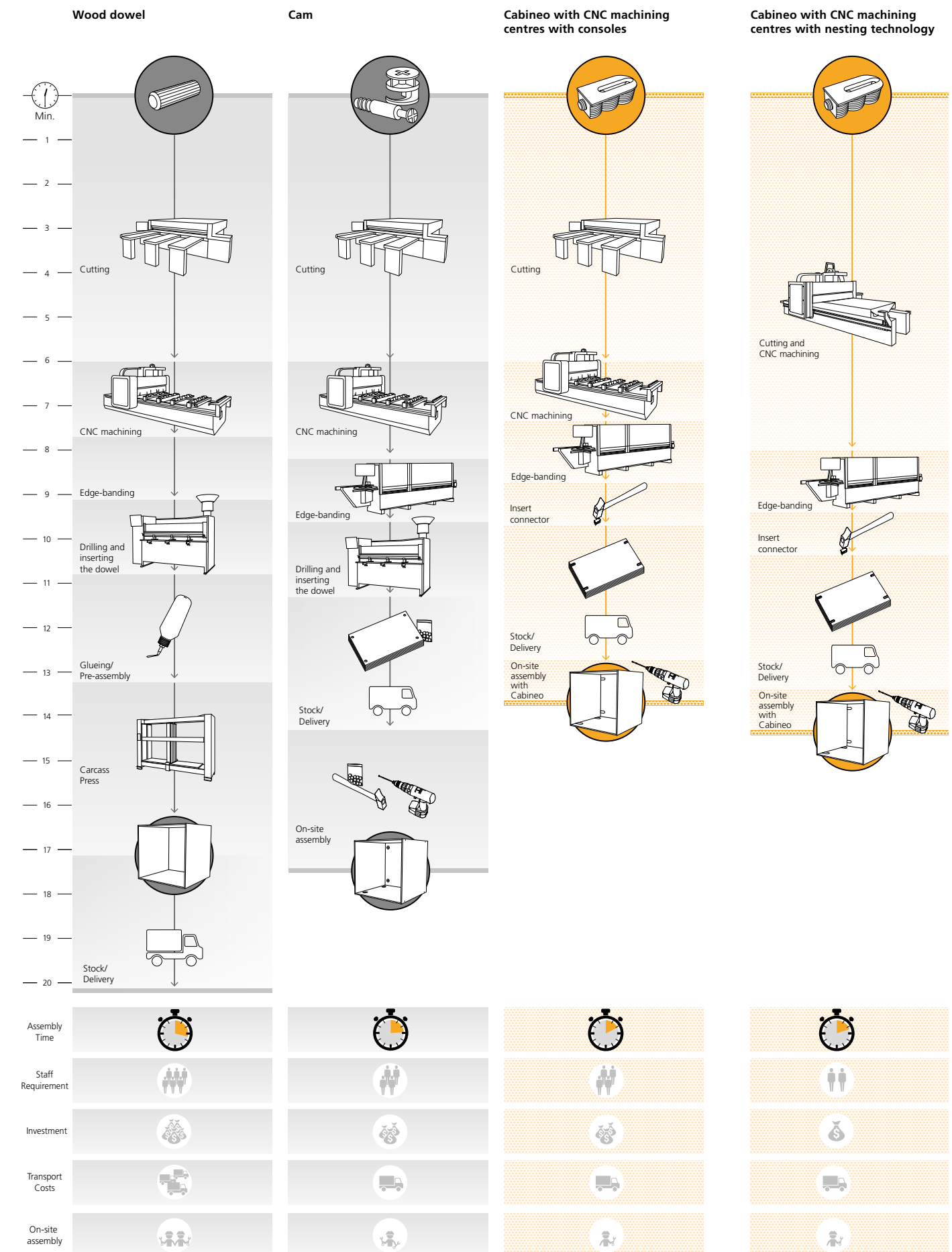
After assembly, fasten the fixed intermediate shelves in the required positions.



- Tip:
- Place one side of the shelf on the shelf support and fasten the other side
 - Retract the screw to facilitate installation.



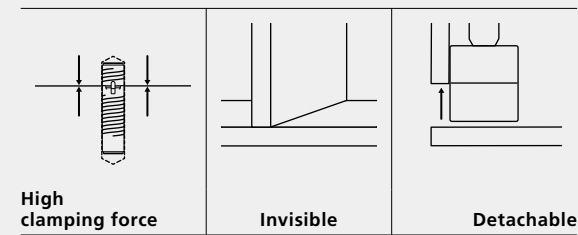
If required, use cover caps on the Cabineo.



Invis Mx2

Magnet-driven connecting fittings

Features



Invis Mx2 is a unique, magnet-driven connection for the highest demands on aesthetics, stability and productivity. With no visible openings, Invis Mx2 is connected and disconnected quickly again and again, using its magnetic drive.

Invis Mx2 connectors are screwed into the 12 mm drill holes in the panel. Using the MiniMag with a cordless drill, the connection closes and creates a clamping force of up to 250 kg per connector.

Ideal for high gloss painted furniture, molded workpieces, stairs, etc.

Articles



Invis Mx2 connector set Art. No. **6012300**
With 14 mm Invis Mx2 stud, 20 pairs



Art. No. **6012301**
With 30 mm Invis Mx2 stud, 20 pairs



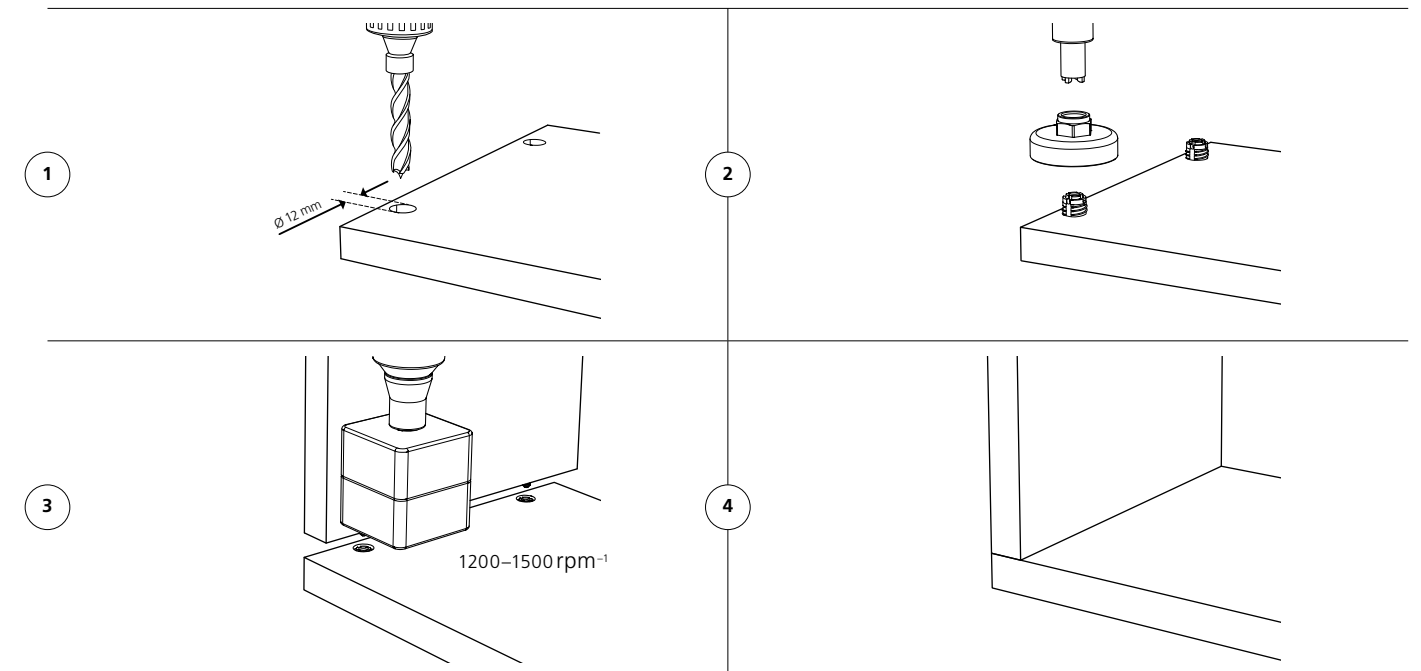
Invis Mx2 Starter set Art. No. **6100302**
Invis Mx2 MiniMag, Invis Mx2 connector sets, 20 pairs with 14 mm Invis Mx2 stud, Rasto drill jig with 12 mm drill bit, depth adjuster, bushing, screw bit, flexible shank, insertion jig

www.lamello.com

Experience the connector live and receive comprehensive product information!

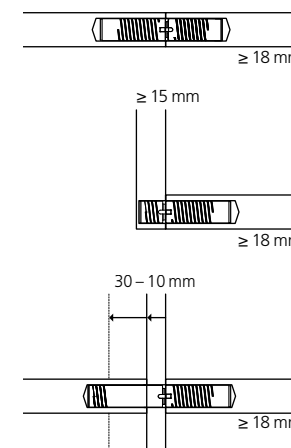


Function



Technical data

Joining methods



Size connector	Ø 12 × 35 mm	
Size stud	Ø 12 mm × 30/14 mm	
Size centre-wall stud	Ø 12 mm × 30 mm	
Drill	Ø 12 mm	
Speed MiniMag	Must be 1200–1500 rpm ⁻¹	
Material housing	Zinc	
Installation tolerance	Long. ± 0.1 mm	
Clamping force per connector	250 kg ¹	
Tensile strength (N)	Connector sets with stud	
Up to	14 mm	30 mm
	MDF	1460 ¹ 2260 ¹
	Particle board	1220 ¹ 1580 ¹
	Beech	3280 ¹ 5130 ¹
Material range	Particle board, MDF, plywood, softwood, hardwood etc.	

See PAGE 150–151 for technical specifications | ¹ See comment on load limits on PAGE 189

Articles



Invis Mx2 connector 35 mm

20 pieces

Art. No.

6012317



Invis Mx2 stud 14 mm

20 pieces

Art. No.

6012312



Invis Mx2 stud 30 mm

20 pieces

Art. No.

6012309



Invis Mx2 centre wall stud 10-30 mm

10 pieces

Art. No.

6012208



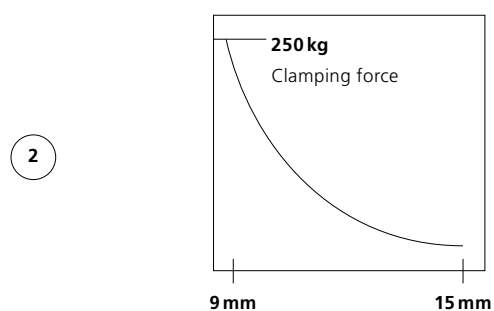
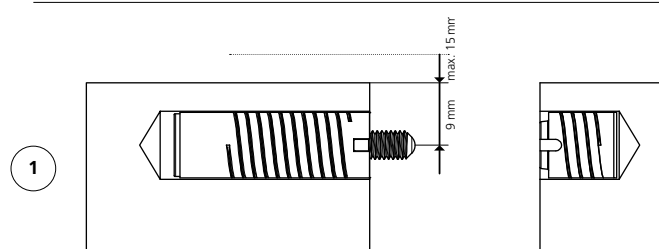
Invis Mx2 MiniMag

Incl. screw bit

Art. No.

6100301

Function



Small distance from the edge for high clamping force

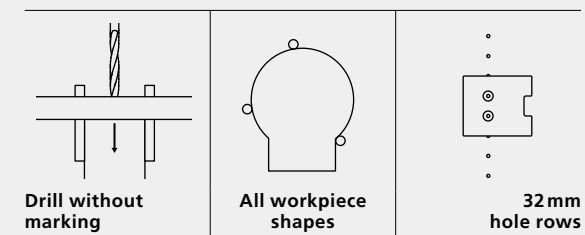


Rasto drill jig

Universal drill jig without measuring or marking



Features



Rasto is a universal drilling jig and is used for creating precise drilled holes for Invis Mx2. The drilling jig can be clamped onto almost any workpiece shape by means of three positioning pins without measuring or marking. After the first workpiece has been drilled, the position is transferred unchanged to the second workpiece. Working in this way means the holes will always line up with each other.

Rasto is also suitable for 8 mm dowel holes or 5 mm holes for handles or for row hole drilling.

Articles

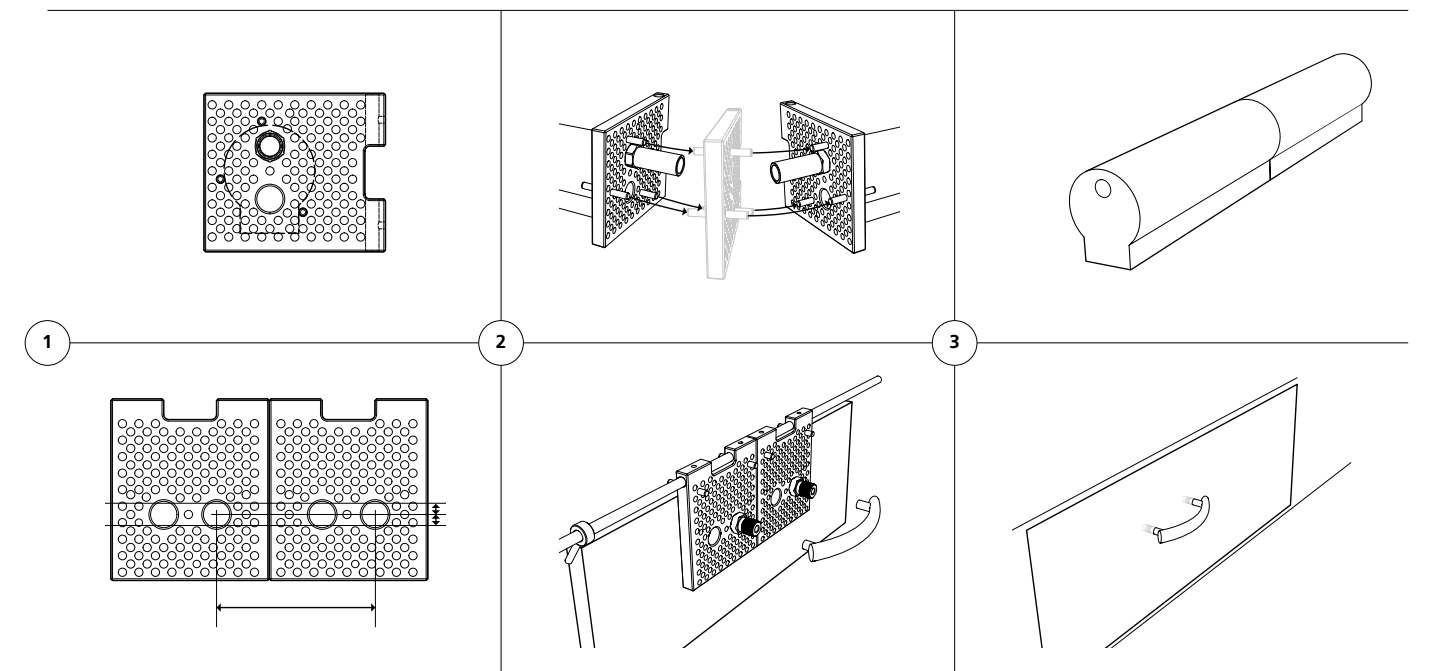


Rasto Duo set Art. No. **126007**
 In a systainer: 2 transparent perforated plates,
 8 drill bushings, 2 × Ø 5, 8, 10, 12 mm,
 3 wood drill bits Ø 5, 8, 12 mm, 6 positioning bolts,
 2 fastening screws, 1 connection rod,
 1 Invis Mx2 spacer, 1 Invis Mx2 insertion bush

Rasto Basic set Art. No. **126005**
 In a cardboard box: 1 transparent perforated plate,
 4 drill bushings Ø 5, 8, 10, 12 mm,
 3 positioning bolts, 1 fastening screw

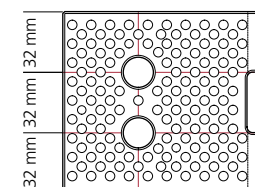
Rasto Mono set Art. No. **126006**
 In a systainer: 1 transparent perforated plate,
 4 drill bushings Ø 5, 8, 10, 12 mm, 3 wood drill bits
 Ø 5, 8, 12 mm, 3 positioning bolts, 1 fastening screw,
 1 Invis Mx2 spacer, 1 Invis Mx2 insertion bush

Function



Technical data

Rasto perforated plate



Size Rasto plate	110 × 96 × 12 mm
Material Rasto plate	Polycarbonate

www.lamello.com
 Experience Rasto live and receive comprehensive product information!

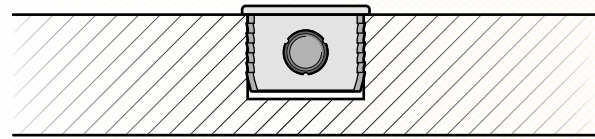


Technical information

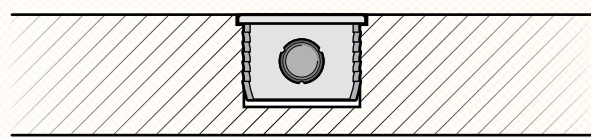
Machining Cabineo

Installation options

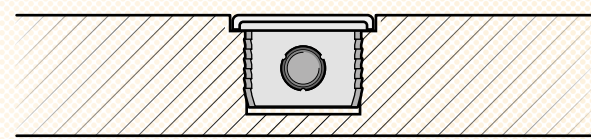
On the surface



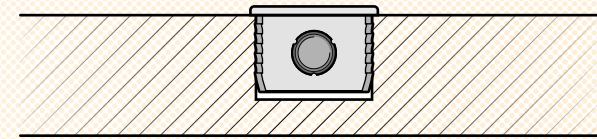
Flush with the surface



Flush cover cap

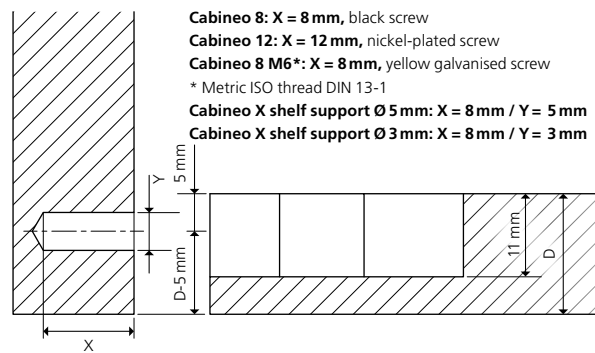


HPL on the surface

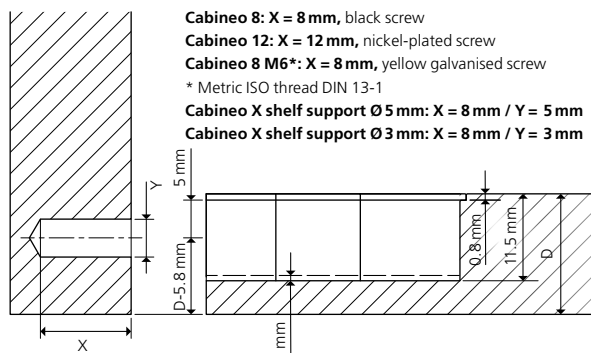


Machining options

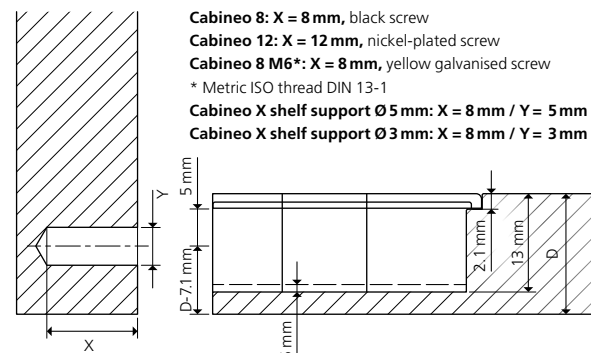
Cabineo 8: X = 8 mm, black screw
Cabineo 12: X = 12 mm, nickel-plated screw
Cabineo 8 M6*: X = 8 mm, yellow galvanised screw
 * Metric ISO thread DIN 13-1
Cabineo X shelf support Ø 5 mm: X = 8 mm / Y = 5 mm
Cabineo X shelf support Ø 3 mm: X = 8 mm / Y = 3 mm



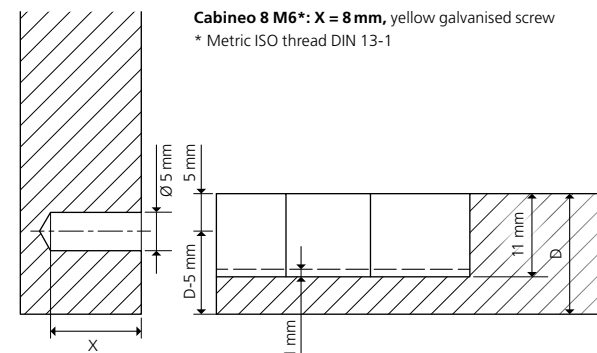
Cabineo 8: X = 8 mm, black screw
Cabineo 12: X = 12 mm, nickel-plated screw
Cabineo 8 M6*: X = 8 mm, yellow galvanised screw
 * Metric ISO thread DIN 13-1
Cabineo X shelf support Ø 5 mm: X = 8 mm / Y = 5 mm
Cabineo X shelf support Ø 3 mm: X = 8 mm / Y = 3 mm



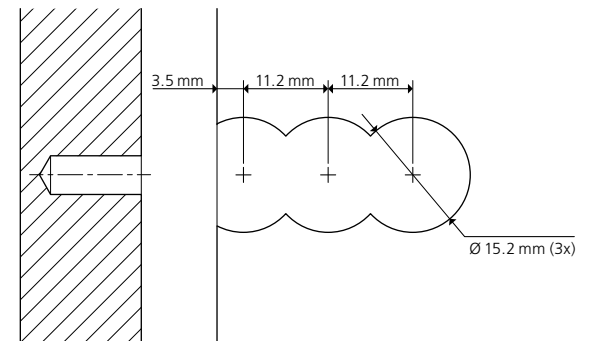
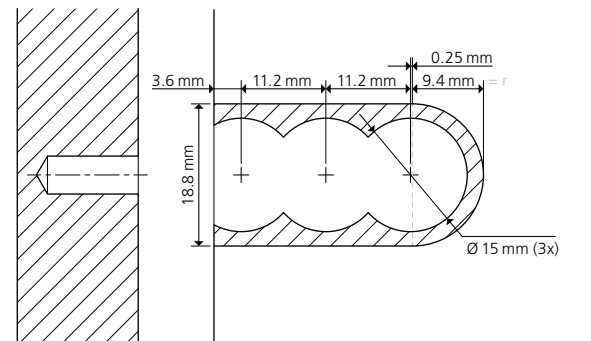
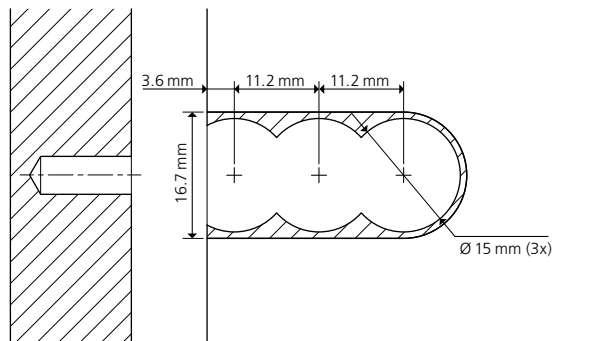
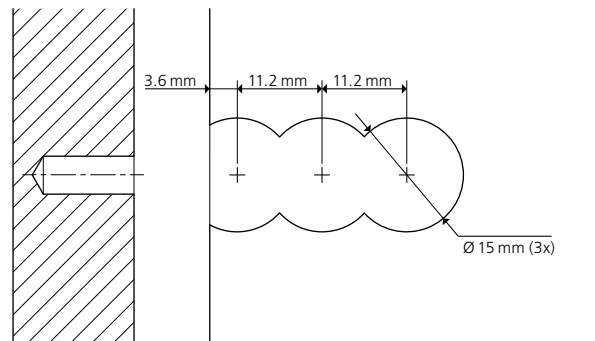
Cabineo 8: X = 8 mm, black screw
Cabineo 12: X = 12 mm, nickel-plated screw
Cabineo 8 M6*: X = 8 mm, yellow galvanised screw
 * Metric ISO thread DIN 13-1
Cabineo X shelf support Ø 5 mm: X = 8 mm / Y = 5 mm
Cabineo X shelf support Ø 3 mm: X = 8 mm / Y = 3 mm



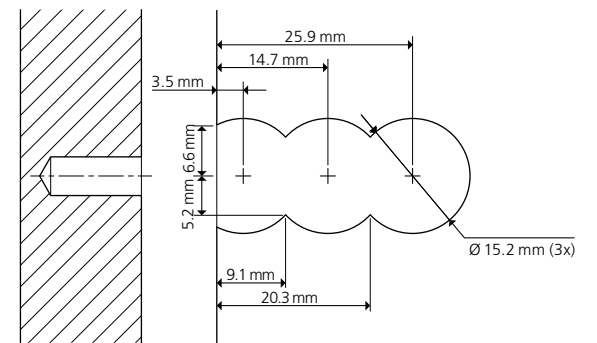
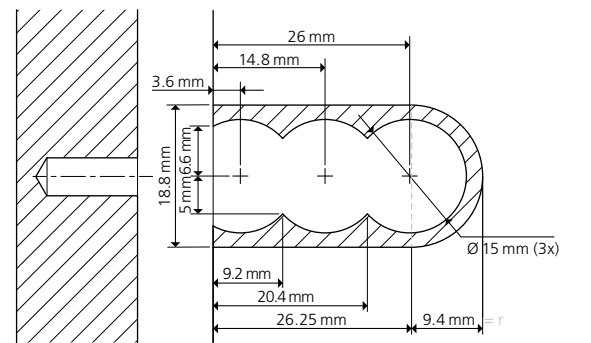
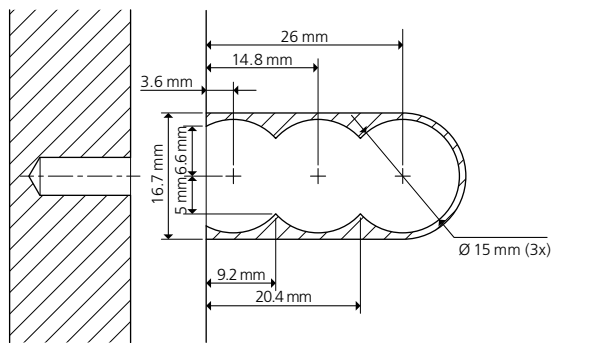
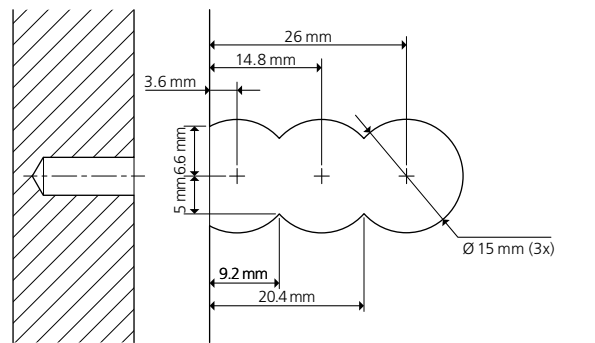
Cabineo 8 M6*: X = 8 mm, yellow galvanised screw
 * Metric ISO thread DIN 13-1



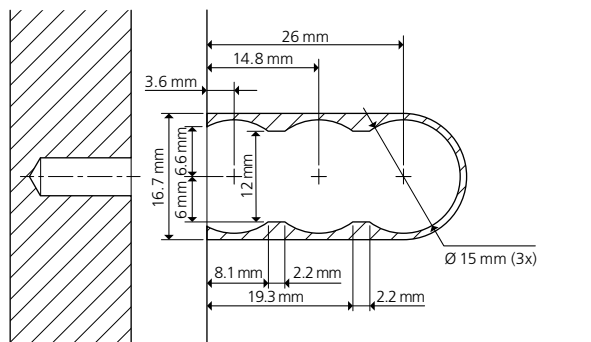
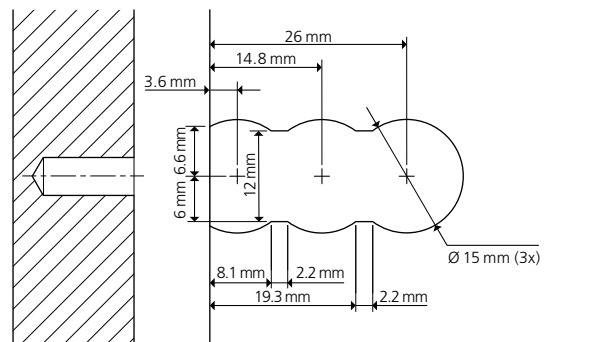
Drill 15 mm



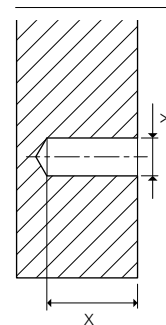
Cutter Ø 10 mm



Cutter Ø 12 mm



Machining Cabineo Insert



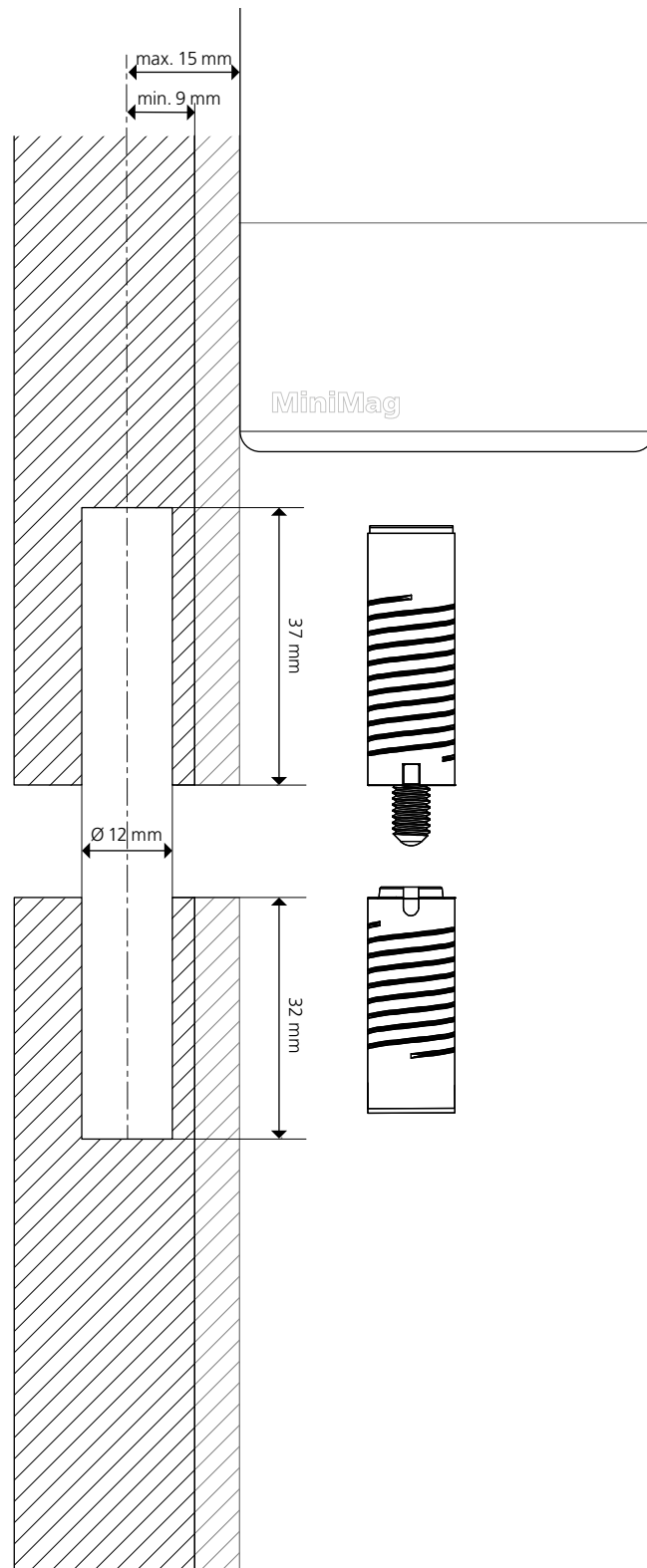
	X [mm]	Y = Ø [mm]
Cabineo 8 M6*	8	5
Insert M6 × 12.3	13.5	8
Insert M6 × 15.3	16.5	8

* Metric ISO thread DIN 13-1

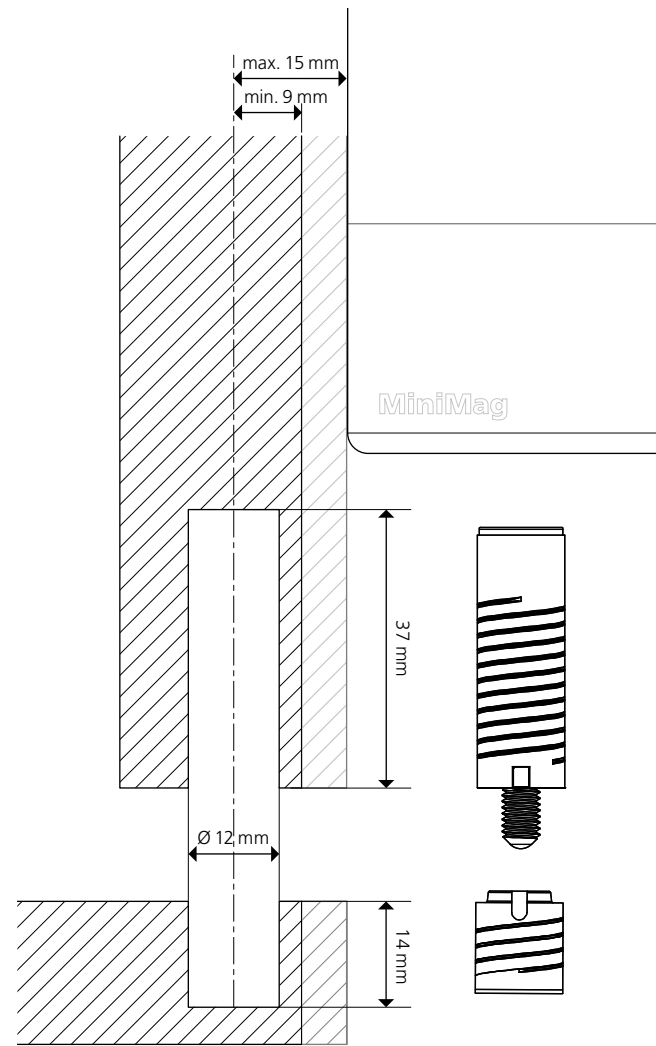
Technical information

Machining Invis Mx2

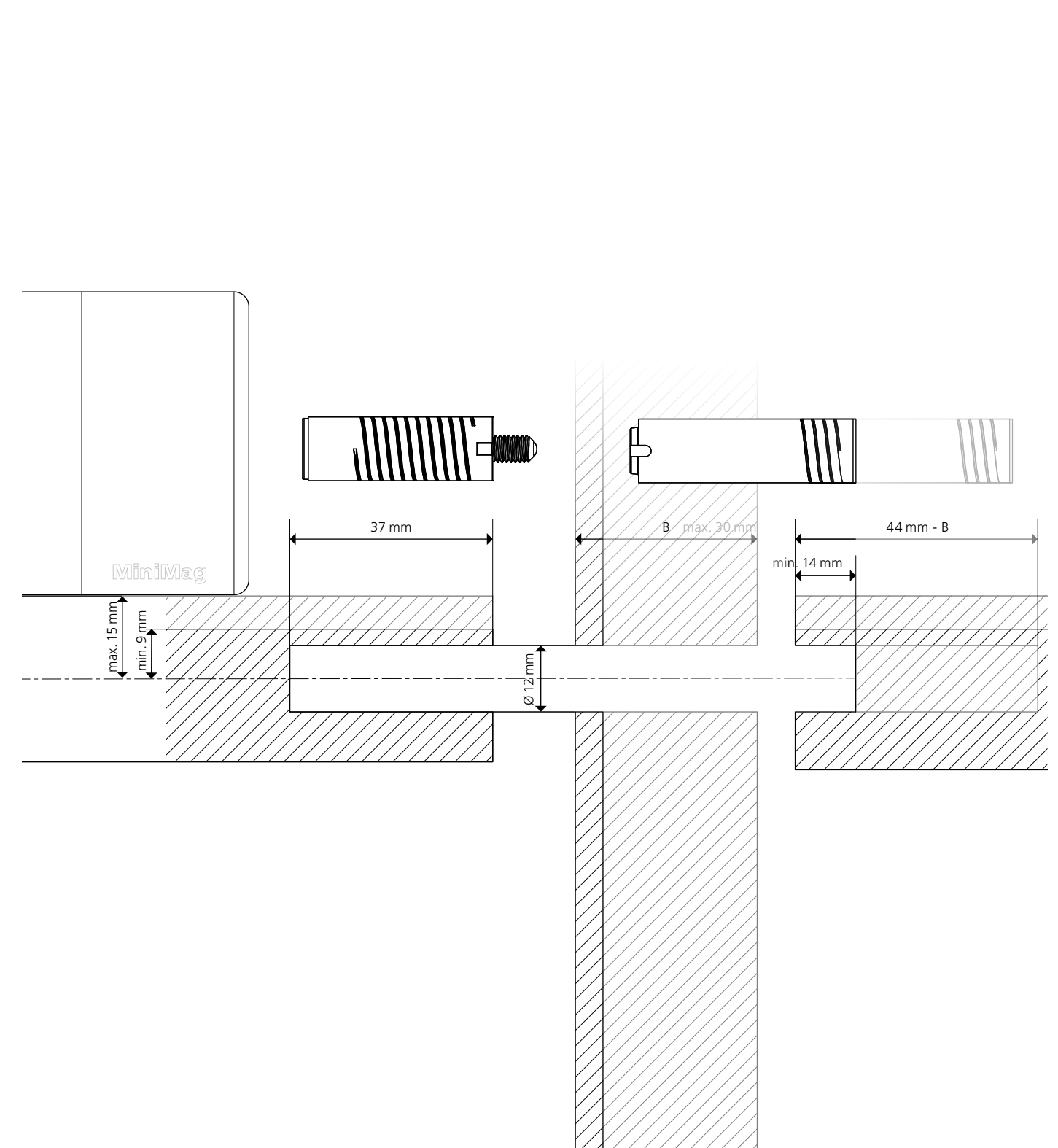
Invis Mx2 stud 30 mm



Invis Mx2 stud 14 mm



Invis Mx2 centre wall stud 14–30 mm



Accessories / Spare Parts

Drilling System



Cabineo



Cabineo installation tool Art. No.
With handle, incl. hex bit 1/4" **256300**



Cabineo hex bit 1/4" GL 120 mm Art. No.
276312



Cabineo hex bit 1/4" GL 80 mm Art. No.
276308

Cabineo hex bit 1/4" GL 80 mm, 100 pieces **276309**



Cabineo drill/cutter Art. No.
Cabineo drill Ø 15 mm with short centering point **136312**



Cabineo cutter Ø 10 mm Art. No.
136310



Cabineo cutter Ø 12 mm Art. No.
136311



Cabineo drills for aggregate* Ø 15 mm Art. No.
RH carbide tipped (right hand rotation) **136314**



Cabineo drills for aggregate* Ø 15 mm Art. No.
LH carbide tipped (left hand rotation) **136315**

Cabineo X



Cabineo cover caps	Art. No.	Art. No.
	100 pieces	2000 pieces
RAL 9003 signal white	186350S	186351S
RAL 9010 pure white	186350W	186351W
RAL 9018 papyrus white	186350P	186351P
RAL 1015 light ivory	186350H	186351H
RAL 1011 brown beige	186350B	186351B
RAL 8007 fawn brown	186350R	186351R
RAL 7040 window grey	186350F	186351F
RAL 7005 mouse grey	186350A	186351A
RAL 9005 jet black	186350T	186351T
Metal look, silver	186350C	186351C
Metal look, nickel	186350N	186351N
Metal look, dark steel	186350D	186351D



Cabineo insert insertion tool Art. No.
For insert M6 **276310**



Cabineo 12 screw Art. No.
500 pieces **186380**
2000 pieces **186381**



Cabineo 8 screw Art. No.
500 pieces **186382**



Cabineo 8 M6 screw Art. No.
500 pieces **186384**



Cabineo X shelf support Art. No.
Ø 5 mm, 500 pieces **186386**
Ø 3 mm, 500 pieces **186388**



Cabineo X screw-in aid Art. No.
Suitable for Cabineo hexagon bit 1/4" GL 80 mm **276313**

Accessories / Spare Parts

Drilling System

Invis Mx2



Invis Mx2 screw bit Art. No.
1 piece **6112205**



Invis Mx2 MiniMag Art. No.
Incl. screw bit **6100301**



Invis Mx2 flexible shank Art. No.
1 piece **6100204**



Invis Mx2 insertion jig Art. No.
For studs 14 mm **6112333**



Invis Mx2 insertion bush for Rasto Art. No.
For studs 14 mm **6112330**

Rasto



Rasto wood drill bit with centering tip Art. No.

Ø 5 mm	6100160
Ø 6 mm	6106161
Ø 8 mm	6108060
Ø 10 mm	6110162
Ø 12 mm	6112060

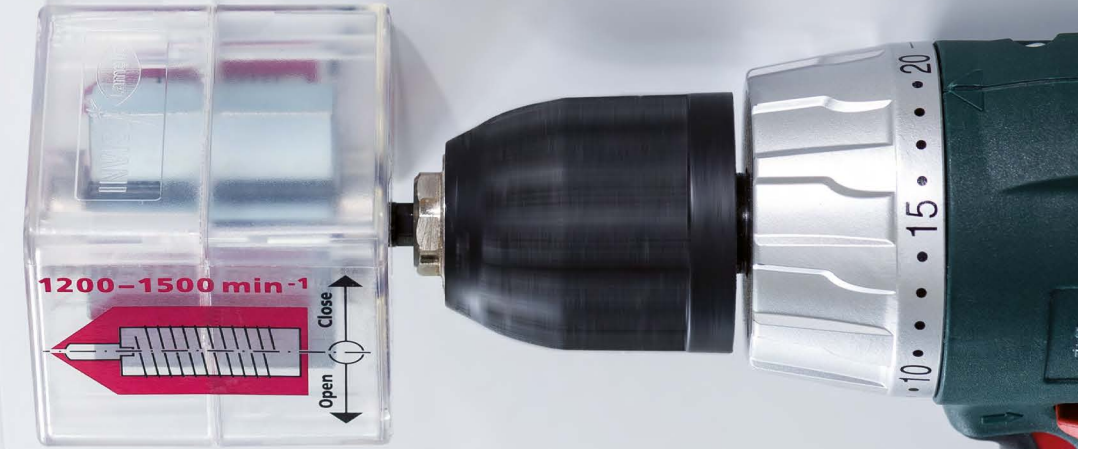


Rasto depth adjuster Art. No.

Ø 5 mm	6100059
Ø 6 mm	6100063
Ø 8 mm	6100060
Ø 10 mm	6100064
Ø 12 mm	6100061



Invis Mx2 spacer Art. No.
For Rasto **6112331**



Rasto perforated plate Art. No.
1 piece **6160000**



Rasto drill bush Art. No.

Ø 5 mm	6100065
Ø 6 mm	6100056
Ø 8 mm	6100057
Ø 10 mm	6100067
Ø 12 mm	6100058



Rasto fixing screw Art. No.
4.5 x 35 mm, TX 25 **6560450**



Rasto positioning bolts Art. No.
Ø 5 x 40 mm **6160001**

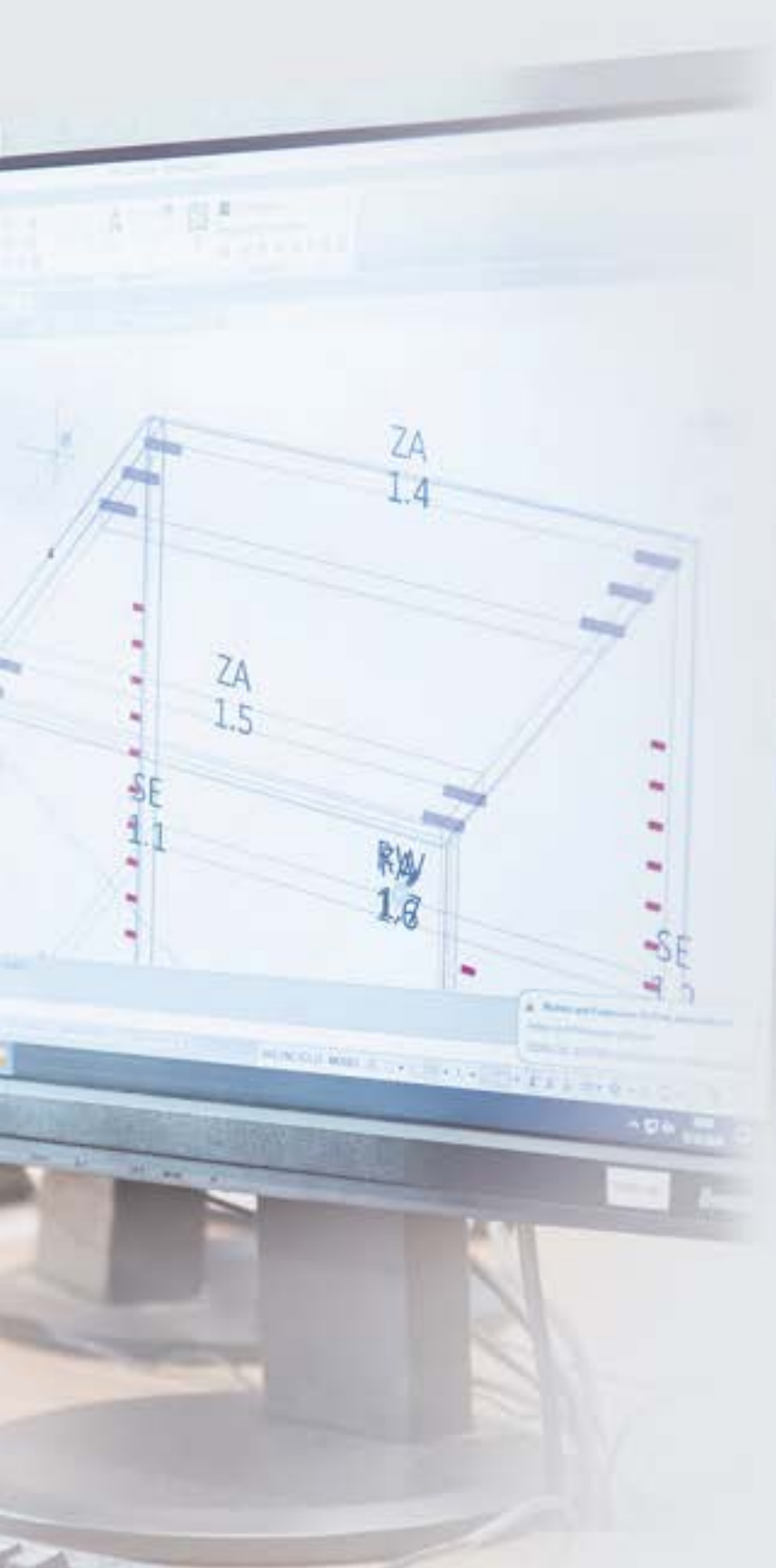


Rasto connection rod 500 mm Art. No.
Two-part **6160601**

Networked production

From planning and design to procurement, programming and machining with CNC.

Our planning and processing partners support you with integrating Lamello connecting elements into your production process, from A to Z.



CAD/ERP/CAM software



CNC machines/Aggregates/CNC tools

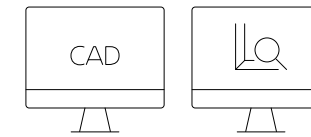




« If a product is automated – or can be controlled digitally – it will be used. »

Jochen Meier, Owner and Managing Director, Jochen Meier Schreinerei GmbH, Nürnberg, Germany

Components for the successful integration of Lamello connection systems into your networked production



CAD/ERP/Configurator software

- Design and planning software with integrated Lamello connectors
- Also download CAD data:
 - from the Lamello website
 - from iFurn
 - from specialist retailers (ComNorm)

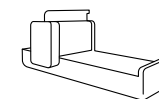
The degree of integration of the data and the parameterised position rules influence planning efficiency.



CAM software

- Software for generating CNC programming data
- Post-processor

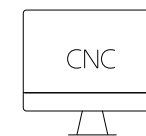
Data transfer between CAD and CNC, and in particular the control of the macros/component, must be individually coordinated.



CNC machine

- Machine with 3/4/5-axis

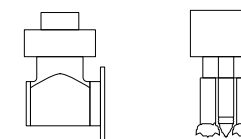
The number of axes and equipment options influence the processing possibilities



CNC software

- Purchase software for machine/macro/component from the manufacturer or
- Program the machining process yourself

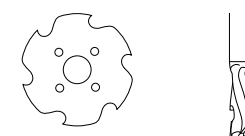
The macro/component determines/affects the processing possibilities



Suitable aggregate

- Aggregate sub-program
- The angle aggregate makes it easier to cut the P-System groove in the surface and the centre of the surface
- The Cabineo unit enables triple drilling in one stroke

The right unit can significantly increase efficiency when cutting/drilling connectors.



- Purchase tools from Lamello or a P-System tool partner
- You can find the tools recommended by Lamello on **PAGES 172–174.**

The right cutting tool can significantly increase precision and efficiency when cutting the connectors.

Networked production

Overview of the production process

Enabled by Lamello planning and machining partners



Sequence

1 Measurements	2 The proposal phase	3 Planning with CAD/configurator/ERP	4 The bill of material	5 Procurement	6 CAM interface CAD/CAM system CNC programming data	7 CNC machining	8 Final processing	9 Dispatch/assembly
				Lamello sales partners				



The room or the object to be machined can be quickly and efficiently measured on site using a room scanner and imported directly into CAD. Even in difficult room situations, without scaffolding, ladders or additional assistants.

The customer data is recorded, and the calculation and quote are prepared in the industry software, CRM or ERP. If necessary, photo-realistic drawing can also be created for the customer in order to create a life-like impression of the end product.

Here, the furniture is drawn with all individual parts, connectors and fittings or generated automatically using the configurator. In this phase, the planner can now select the desired Lamello connectors, which are placed manually or automatically in the workpieces according to parametric rules.
 Planning aids on the Lamello website:
 – The **«Connector Search»** web tool helps you select the right connectors
 – The **«P-System Configurator»** defines the optimal connector positioning at any angle
 – The **«CAD Data»** can also be downloaded from the product pages

The parts list can now be generated from the finished CAD file or the data can be imported into the ERP software, where the parts and fitting list can be issued automatically. The material order can now be triggered manually or automatically.

With an online connection to specialist retailers, both digital data exchange and procurement can be automated. For example, this allows the current prices to be queried, availability checked and picking implemented.

One of the most important **«interfaces»** is the transfer of planning data to production. Here, a seamless connection should be established between design, programming, simulation and subsequent production on the CNC machines. The 3D design data can also be used to enter the production information, such as the control of macros, the tool type, approach or cutting mode. The CAD data is translated, for example, via a post-processor into an electronic procedure for controlling CNC machines.

The workpieces are now formatted and machined on the machining centre. With the necessary macros for the appropriate units and cutting tools, the desired machining procedures for the connectors are now milled into the workpieces.

After CNC machining, or if the workpieces are ready for further processing, the edges are glued or the surface is painted and the connectors are then installed.

The items of furniture are now ready to be transported to the customer. Ideally, the furniture should be sent as a flat pack, which is no problem at all with the Lamello connectors.

P-System with CNC

Joining methods and requirements for
CNC machines/machining options



CNC machines		With consoles/ vertical or horizontal				With nesting technology				
Number of axes		3		4	5	3		5		
			Machining option	Machining option			Machining option	Machining option		
Joining methods	Machining									
	Access drill hole									
	Profile groove in the edge									
	Profile groove on the surface (close to the edge)									
	Profile groove on the surface (centre of the surface)*									
	Access drill hole 45°									
	Profile groove in the edge 45°									
	Access drill hole 22 – 108°									
	Profile groove in the edge 22 – 108°									

* The Divario P-18 can also be used as an alternative connecting element in the middle of the surface. (2 x 8 mm holes without profile groove)

¹ Without a C-axis, the angle unit cannot be rotated by 90°/180°. Alternatively, the workpiece could be rotated and work in two steps.

The information concerns technical options regarding how the applications could be implemented.

These must be adapted to your company facilities and coordinated with the planning and machining partners.



Detailed information on machining	Detailed information on machining	Possible setup of aggregates and tools	Comments
			Integrated CNC Z-axis with drill (5/6 mm) or with collet chuck for clamping Ø 10 mm and drill 131556 P-System CNC drill bit on PAGE 172
			Saw blade clamp Ø 40/DTK 52 mm and cutter 132143 or with collet chuck and cutter arbor You can find dimensions for cutters and clamping Ø and lengths of cutter arbors on PAGE 172/173
			Angle aggregate – One to four spindle angle aggregates – Floating trimming unit for P-System – Corner notching aggregate – Aggregate for door locks A unit overview can be found on the Lamello website: www.lamello.com under planning and machining partners
			Manually adjustable swivelling aggregates Information: Several tool changes required for angle cuts, drilling and P-System grooves Note: The cutting depth in the centre of the surface may be restricted depending on the model. Tip: For a mitre, the drill hole could be made with the manual drill
			Automatically adjustable swivelling aggregates with automatic tool changer (FLEX5+C/5-MOTION PLUS/Flex5+C, from year of manufacture 2015) – Tool holder WFC 40-25 clamping Ø 10 mm for drill – Drill shank Ø 10 mm, tool protrusion max. 50 mm – Tool holder WFC 40-25 with flange and cutter 132143 Note: In the centre of the surface, the profile groove depth is limited to 10 mm
			Shrink chuck for clamping Ø 12 x 40 mm and shank tool 131342 or collet chuck for clamping Ø 12 x 40 mm and shank tool 131342 P-System CNC shank tool cutter on PAGE 173.

* More information on **PAGES 172–173**

The information concerns technical options regarding how the applications could be implemented. These must be adapted to your company facilities and coordinated with the planning and machining partners.

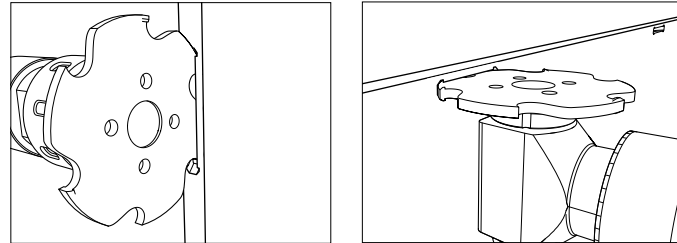
Possible combination of CNC machines with Zeta P2

More regarding the machining on **PAGE 169**

--	--	--	--	--	--	--

P-System equipment options

For CNC machines for particularly efficient machining



Vertical and horizontal CNC machining centres «CNC compact class»



HOMAG

DRILLTEQ V-500
25-spindle +
1x aggregate (VKNR 1549)
1x tool set (VKNR 9763)

1 · 2 · 3



**EVOLUTION 7405
Connect**

1 · 2 · 3

BIESSE

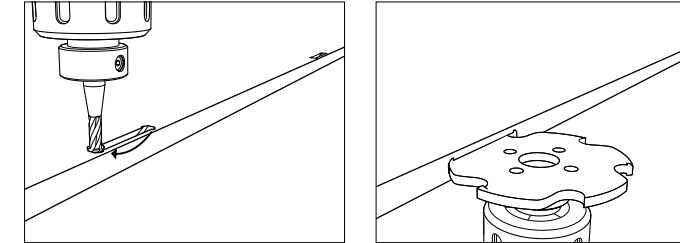
Brema Eko 2.1
1x aggregate
2x P-System CNC
groove cutters
1x P-System CNC cutter arbor
1x drill Ø 6 mm

1 · 2 · 3

BIESSE

Brema Eko 2.2
1x aggregate for 90°
1x aggregate 45° for 2x 45°
2x P-System CNC
groove cutters
1x P-System CNC cutter arbor
1x drill Ø 6 mm

1 · 2 · 3 · 4



FORMAT

Creator 950
1x P-System CNC
groove cutter in HSK63F
1x P-System CNC shank tool
cutter* in HSK63F
1x drill Ø 6 mm

*optional for P-System CNC
shank tool cutter:
1x aggregate for 90°
1x P-System CNC groove cutter

1 · 2 · 3

GANNOMat

**ProTec + P-System
add-on package**
Editor with
Lamello P-System macro
1x P-System CNC
groove cutter in HSK63F
1x P-System CNC cutter arbor
1x P-System CNC shank tool
cutter
1x drill Ø 6 mm

1 · 2 · 3

HOMAG

DRILLTEQ V-200
woodWOP «Lamello P-System»
component
1x P-System tool set

1 · 2 · 3

HOMAG

DRILLTEQ V-310
for 180° + 90° joints:
woodWOP component
«Lamello P-System»
1x P-System tool set

additionally for
45° joints:
2x aggregate 45°
1x tool set for 45°

1 · 2 · 3 · 4



Project TF 100/TF 100 2.0
1x aggregate
2x P-System CNC
groove cutters
1x P-System CNC cutter arbor
1x drill Ø 6 mm

1 · 2 · 3



cx 210
1x aggregate
2x P-System CNC
groove cutters
1x P-System CNC cutter arbor
1x drill Ø 6 mm

1 · 2 · 3



Nextec 7707
1x tool set

1 · 2 · 3



Vitap K2 2.0
1x aggregate
2x P-System CNC
groove cutters
1x P-System CNC cutter arbor
1x drill Ø 6 mm

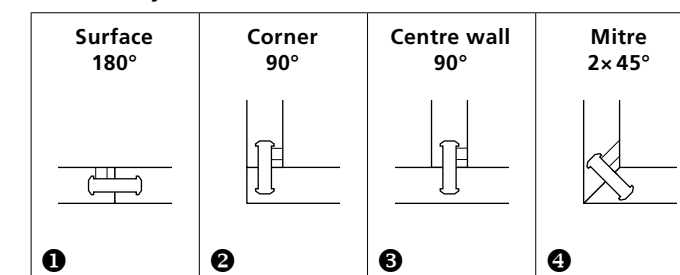
1 · 2 · 3



cx 110
1x aggregate
2x P-System CNC
groove cutters
1x P-System CNC cutter arbor
1x drill Ø 6 mm

1 · 2 · 3

Connectivity



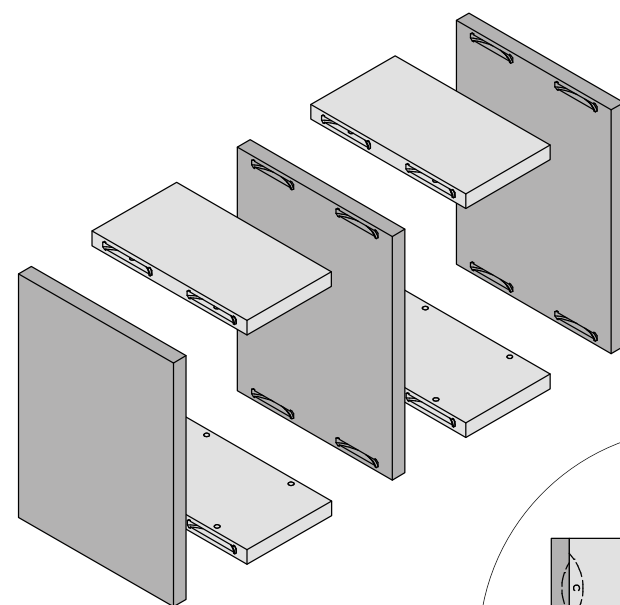
www.lamello.com

Experience CNC live
and receive compre-
hensive product
information!

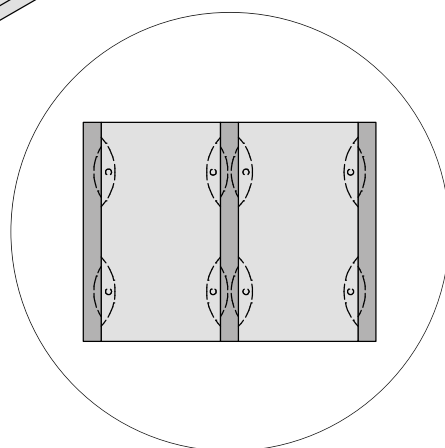


Ideas for standardising

The machining on a CNC machine



Clamex P-14 CNC with lever, Clamex P-14 with lever and Clamex P-14/10 Flexus with lever are compatible with all Clamex P elements without lever. This allows for a standardised construction method.



Depth 14 mm for all P-System grooves in the panel edge (with the access hole)

	Art. No.
Clamex P-14 CNC	
2000 pieces element with lever	145388

	Art. No.
Clamex P-14	
2000 pieces element with lever	145338

	Art. No.
Clamex P-14/10 Flexus	
2000 pieces element with lever	145318

Depth 10 mm for all P-System grooves in the surface

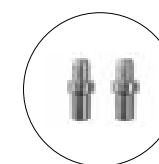
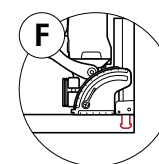
	Art. No.
Clamex P-10	
2000 pieces element without lever	145358

	Art. No.
Clamex P-10 Medius	
2000 pieces element without lever	145369

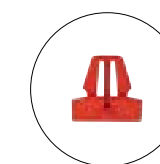
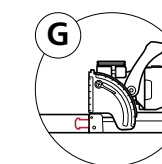
Possible combination of CNC machines with Zeta P2

Precise drilling on a CNC machine; use these drill holes to position the Zeta P2 to cut the P-System grooves. This application is especially ideal if the CNC machine is a nesting machine and or no aggregate is available. This method combines the precision and efficiency of a CNC machine and uses the simple and fast machining of a P-System groove with a Zeta P2.

Positioning drill holes for the Zeta P2

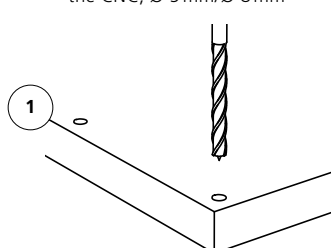
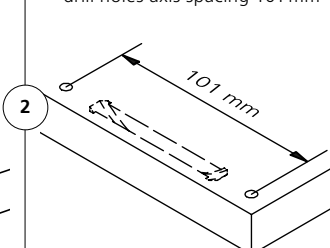
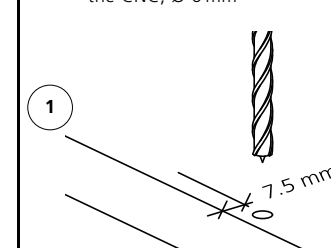
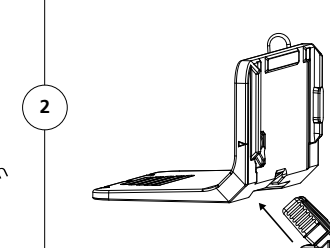
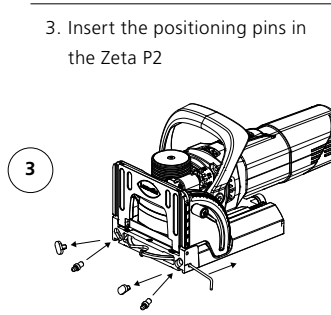
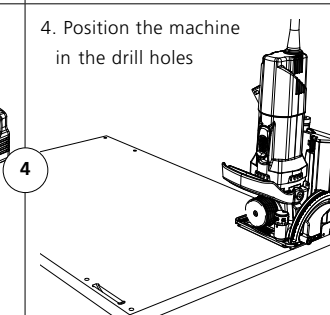
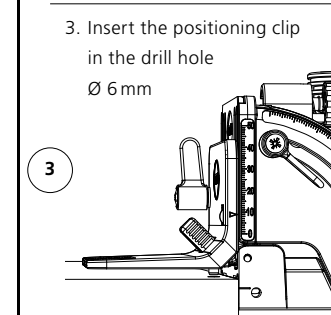
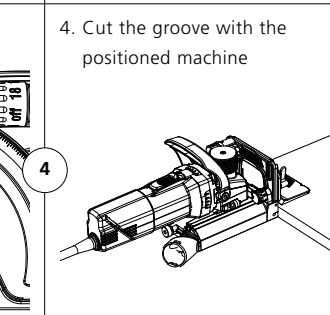


Positioning pin CNC for Zeta P2,	Art. No.
2 pieces	
Ø 5 mm	251048
Ø 8 mm	251066



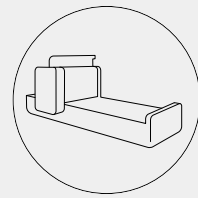
Positioning clip CNC for Zeta P2	Art. No.
Ø 6 mm	251067
for positioning in the Clamex P access hole (6 mm)	

Machining steps

<p>1. Drill the positioning holes with the CNC, Ø 5 mm/Ø 8 mm</p> 	<p>2. Hole pattern of the positioning drill holes axis spacing 101 mm</p> 	<p>1. Drill the positioning hole with the CNC, Ø 6 mm</p> 	<p>2. Insert the positioning clip</p> 
<p>3. Insert the positioning pins in the Zeta P2</p> 	<p>4. Position the machine in the drill holes</p> 	<p>3. Insert the positioning clip in the drill hole Ø 6 mm</p> 	<p>4. Cut the groove with the positioned machine</p> 

Cabineo with CNC

Specific equipment options for CNC machines for Cabineo



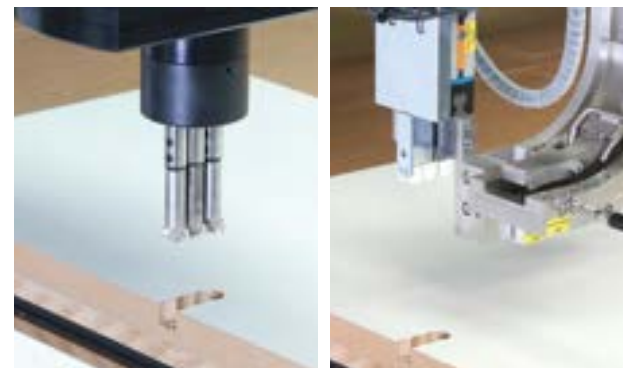
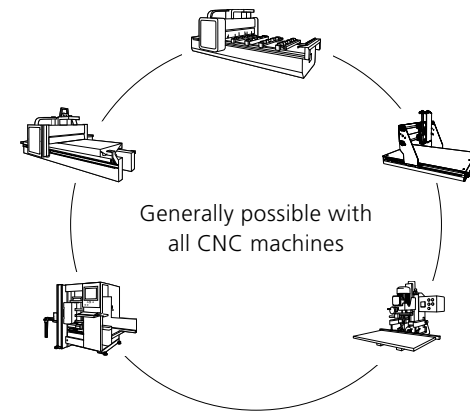
CNC machine

Homag CENTATEQ N-600

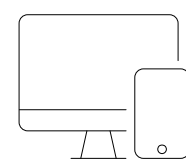
Homag has developed the unmanned installation of the Cabineo connector on its nesting CNC machine CENTATEQ N-600. First, the multi spindle aggregate from Benz creates the drill shape, consisting of 3 drill holes, in one plunge. Once the panels are cut to size, the machine will commence with the fully automated insertion of the Cabineo into the board.

Gannomat Basica Variabel 0194

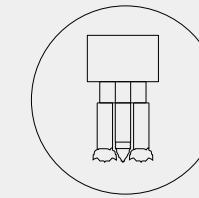
First, the 3 spindle aggregate drills the 15 mm drill holes in one plunge. Following this, the Cabineo is held by an insertion aggregate and is pressed into the board. The 5 mm holes for the Cabineo screw are drilled either with the boss hinge aggregate or the 11 spindle shelf pin aggregate.



www.lamello.com



Experience CNC live and receive comprehensive product information!



CNC tools - aggregate

Benz was the first company to develop a triple multi-spindle head in order to drill the Cabineo with a single stroke. This reduces the machining time to approx. 1-2 seconds.

Supplier of triple drilling unit for Cabineo:

Benz MULTI V3 CABINEO

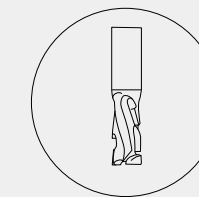
Vertical multi-spindle head (direction of rotation of the drills 1 piece left hand rotation, 2 pieces right hand rotation)

Atemag VERTINEO FUNCTION LINE

Drilling unit for Cabineo connector All-In-One. (Direction of rotation of the drills 2 pieces left hand rotation, 1 piece right hand rotation)

Grotefeld DPL-03-03-CABINEO

Multi-spindle drilling unit DPL (Direction of rotation of the drills, both options possible: 1 drill left hand rotation, 2 drills right hand rotation or 2 drills left hand rotation, 1 drill right hand rotation)



CNC tools

Leuco was the first company to develop the interlocking drills for the triple multi-spindle units.

Leuco drills for triple drilling units*

Solid carbide (VHW), special LEUCO cutting edge and pre-cutter geometry for minimum cutting force and cutting pressure.

Leitz drill bits for triple drilling units

Solid carbide, round pre-cutter geometry for very good drill edge quality, extremely wear-resistant carbide grade.

* Cabineo drills for aggregate see PAGE 174



CNC tools

For the P-System



P-System CNC tools



P-System CNC drill bit Art. No.
6 mm, solid carbide, for mitres, **131556**
L = 100/35 mm, shank = Ø 10 mm



P-System groove cutter CNC DP (diamond),
Ø 100.4 x 7 mm Art. No.
Ø 100.4 x 7 x Ø 30 mm, Z3, NL 4 x Ø 6.6 x Ø 48 mm **132142**
suitable for all P-System CNC cutter arbor listed
on the right
Ø 100.4 x 7 x Ø 30 mm, Z3, NL 4 x Ø 6.6 x Ø 48 mm **132149**
LH for Weeke BHX 200 / DRILLTEQ V-500
(left hand rotation)



Art. No.
Ø 100.4 x 7 x Ø 30 mm, Z6, NL 4 x Ø 6.6 x Ø 48 mm **132145**
suitable for all P-System CNC cutter arbor listed
on the right



Art. No.
Ø 100.4 x 7 x Ø 40 mm, Z3, NL 4 x Ø 5.5 x Ø 52 mm **132143**
E.g. for angle aggregates and FLEX5+C/
5-MOTION PLUS



Art. No.
Ø 100.4 x 7 x Ø 16 mm, Z3, NL 4 x Ø 5.5 x Ø 28 mm **132144**
E.g. for corner notching aggregate



Art. No.
Ø 100.4 x 7 x Ø 35 mm, Z3, NL 4 x Ø 5.5 x Ø 50 mm **132148**
e.g. for Brema Eko 2.1,
Masterwood Project TF 100, Format4 D-Jet,
Morbidelli cx110
Ø 100.4 x 7 x Ø 35 mm, Z3, NL 4 x Ø 5.5 x Ø 50 mm **132180**
LH e.g. for Format4 Nesting profit H08
(left hand rotation)



CNC cutter arbors for P-System groove
cutter, Ø 30, NL 4 x M4 x Ø 48 mm Art. No.
Shank Ø 20 x 50 mm, L = 102 mm **132150**



Art. No.
Shank Ø 25 x 60 mm, L = 102 mm **132151**



Art. No.
Shank Ø 16 x 50 mm, L = 85 mm **132152**



Art. No.
Shank Ø 16 x 55 mm, L = 68 mm **132153**



Art. No.
Shank Ø 16 x 50 mm, L = 85 mm, with clamping **132154**
surface (2°- angle) e.g. for aggregate for door locks



Art. No.
Shank Ø 20 x 50 mm, L = 85 mm,
with clamping surface (2°- angle) **132155**
e.g. for aggregate for door locks

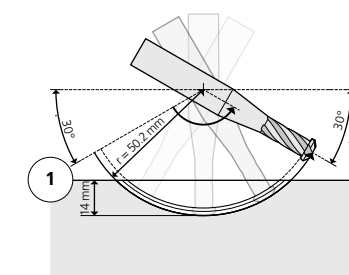
M6 x 16 mm Torx countersunk bolt, 4 pieces, **132159**

suitable for cutter arbors
Screwdriver with cross-grip, Torx T20 x 100 mm **271919**

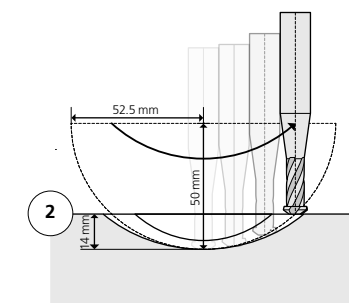


P-System CNC shank tool cutter Art. No.
HW solid (carbide), shank Ø 12 x 40 mm, L = 80 mm **131342**

One tool with 2 functions



» P-System CNC shank tool cutter with 5-axis



» P-System CNC shank tool cutter with 3-axis

Lamello recommends making all profile grooves with a disc cutter, primarily for reasons of precision, service life, machining time and thus economic efficiency.

A P-System CNC shank tool cutter or contour cutter should only be used for the machining of surfaces if no angle aggregate is available.

CNC tools

For Cabineo



Drilling System

Cabineo drill/cutter



Art. No.

Cabineo drill Ø 15 mm with short centering point **136312**



Art. No.

Cabineo cutter Ø 10 mm **136310**



Art. No.

Cabineo cutter Ø 12 mm **136311**

Cabineo drills for triple aggregate*



Art. No.

Cabineo drills for aggregate Ø 15 mm **136314**
RH carbide tipped (right hand rotation)



Art. No.

Cabineo drills for aggregate Ø 15 mm **136315**
LH carbide tipped (left hand rotation)

* Benz: 2x 136314 and 1x 136315 (MULTI V3 CABINEO)
Atemag: 1x 136314 and 2x 136315 (VERTINEO Cabineo Drilling)

« *Lamello is an asset to us
because it allows us to
expand our possibilities.* »

Andreas Kuhlmann, Managing Director,
Adolf Kuhlmann GmbH & Co. KG furnishing workshops,
Schwerin, Germany



Accessories



Accessories / Spare Parts

P-System

P-System



P-System connector assortment

professional Art. No. **145323**
 Scope of delivery: 120 pairs Clamex P-14, 30 pairs Clamex P-14/10 Flexus, 30 pairs Clamex P-10, 120 pairs Tenso P-14 incl. preload clip, 30 pairs Tenso P-10 incl. preload clip, 20 pieces Bisco P-14, 20 pieces Bisco P-10, 80 pairs Divario P-18, Divario installation tool/drill/marking gauge, Clamex assembly tool, Tenso P-14/10 preload tool, Sortainer T-loc incl. dividers



P-System connector assortment

basic Art. No. **145321**
 Scope of delivery: 80 pairs Clamex P-14, 80 pairs Tenso P-14 incl. preload clip, 30 pairs Clamex P14/10 Flexus, 30 pairs Clamex P-14/10 Medius, 20 pieces Bisco P-14, Tenso P-14/10 preload tool, Systainer³ M187 incl. plastic insert

Clamex P



Clamex assembly tool Art. No. **251993**
 For all angles, fast and flexible, hex 4 x 30 mm, length 290 mm



Allen key Art. No. **271945**
 4 mm, 75 x 55 mm
 4 mm, 120 x 50 mm **271945A**



Cover cap, 100 pieces, 90° Art. No.
 RAL 9010 pure white **335280**
 RAL 9011 graphite black **335281**
 RAL 1014 ivory, pine **335282**
 RAL 1011 brown beige, beech **335283**
 RAL 8007 fawn brown **335284**
 RAL 8017 chocolate brown **335289**
 RAL 9002 grey white **335285**
 RAL 7035 light grey **335286**
 RAL 7040 window grey **335287**
 RAL 7031 blue grey **335288**
 RAL 7022 umbra grey **335298**

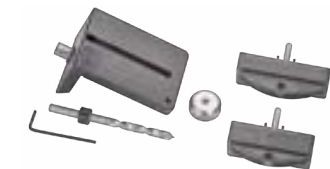
Cover cap, 500 pieces, 90° Art. No.
 RAL 9010 pure white **335362**
 RAL 9011 graphite black **335363**
 RAL 1014 ivory, pine **335364**
 RAL 1011 brown beige, beech **335365**

Cover cap, 5000 pieces, 90° Art. No.
 RAL 9010 pure white **335296**
 RAL 9011 graphite black **335291**
 RAL 1014 ivory, pine **335292**
 RAL 1011 brown beige, beech **335293**
 RAL 8007 fawn brown **335294**
 RAL 8017 chocolate brown **335299**
 RAL 9002 grey white **335295**
 RAL 7040 window grey **335297**



Cover cap, 100 pieces, 45° Art. No.
 RAL 9010 pure white **335380**
 RAL 9011 graphite black **335381**
 RAL 1014 ivory, pine **335382**
 RAL 1011 brown beige, beech **335383**
 RAL 8017 chocolate brown **335384**
 RAL 7035 light grey **335386**
 RAL 7022 umbra grey **335388**

Cover cap, 5000 pieces, 45° Art. No.
 RAL 9010 pure white **335390**
 RAL 1014 ivory, pine **335392**
 RAL 1011 brown beige, beech **335393**



Clamex P drill jig Art. No. **125344**
 Incl. drill, from 22.5° for all Clamex P connectors (P-10, P-14)
 Angle for drill jig **255250**
 Element insert for size P-10 **255251**
 Element insert for size P-14 **255252**



Clamex P drill jig long Art. No. **125345**
 Drill jig for thick workpieces 100 mm, (P-14), incl. drill



Drill Art. No.
 Spiral drill Ø 6 mm with centering point, for Clamex P drill jig **131506**
 Spiral drill Ø 6 mm with centering point, for Clamex P drill jig long **131508**
 Depth adjuster for drill, 6 mm diameter **255243**

Accessories / Spare Parts

P-System

Combination CNC and Zeta P2



Positioning pin CNC for Zeta P2*,

2 pieces	Art. No.
Ø 5 mm	251048
Ø 8 mm	251066



Positioning clip CNC for Zeta P2*

Ø 6 mm	Art. No.
	251067

for positioning in the Clamex P access hole (6 mm)

Tenso P



Tenso P-14/10 preload tool

Tool to pre-load the Tenso P	Art. No.
	145400



P-System 4 mm depth adjuster attachment for P-8

For offset installation on dividing panels	Art. No.
16 mm with Tenso P-10	145439

Divario P



Divario P-18 Marking jig metal with marking points

Marking jig incl. drill with centering point and rotating depth collar for the precise drilling of Divario drill holes by hand	Art. No.
	125510



Divario P-18 Marking jig plastic, to mark with a pencil

Marking jig to mark the Divario holes with a pencil	Art. No.
	125511



Divario P-18 Installation tool

Divario P-18 Installation tool for fixing the Divario in the workpiece	Art. No.
	125500



Divario P-18 Starter set

Divario P-18, 80 pairs, Divario installation tool, marking jig plastic	Art. No.
	145550S



Divario P-18 starter kit

In systainer ³ M137, scope of delivery: Divario P-18, 80 pairs, drill, marking jig in metal and installation tool	Art. No.
	145552

Zeta P2



Stop square for Zeta P2, Top 21, Classic X

For stabilising the biscuit joiner in the vertical position, ideal for obtuse mitre joints	Art. No.
	251044



Spacer for Zeta P2, Top 21, Classic X

5 mm, aluminium for 18 mm panels	Art. No.
	253027
2 mm, plastic for 16 mm panels	Art. No.
	253023
4 mm, plastic for mitres	Art. No.
	253026



P-System groove cutter DP (diamond),

Ø 100.4 × 7 × Ø 22 mm	Art. No.
Z3, 4 NL for Zeta P2	132140



P-System groove cutter HW (carbide),

Ø 100.9 × 7 × Ø 22 mm	Art. No.
Z3, 4 NL for Zeta P2	132141



Dust bag

For Zeta P2/Top 21/Classic X	Art. No.
	257532

Batteries



Batteries

Battery pack 18 V, LiHD 4.0 Ah	Art. No.
	313013
Battery pack 18 V, LiHD 5.5 Ah	Art. No.
	313015
Battery charger ASC 55, plug type C Euro	Art. No.
	123100DE
Battery charger ASC 55, plug typeG	Art. No.
	123100GB

Accessories / Spare Parts

Lamello System

Lamello System



Stop square for Zeta P2, Top 21, Classic X Art. No. **251044**
For stabilising the biscuit joiner in the vertical position, ideal for obtuse mitre joints



Spacer for Zeta P2, Top 21, Classic X Art. No. **253027**
5 mm, aluminium for 18 mm panels
253023
2 mm, plastic for 16 mm panels
253026
4 mm, plastic for mitres



Systainer³ M187, with insert and 6 partitions Art. No. **331579E**
Systainer³ M187, with insert and 6 partitions
331579
Systainer³ M187, empty



Insert with two partitions for Systainer³ M187 Art. No. **360024**
360019
Divider for insert 360024



Systainer³ M187 plastic insert Art. No. **360020**
For Zeta P2/Top21/Classic X



Sortainer Art. No. **331581**
Sortainer incl. dividers
RAL 7035 light grey, RAL 3004 purple red



Groove cutter HW (carbide), Ø 100 × 4 × Ø 22 mm Art. No. **132000**
Z2 + V4 scoring teeth, 4 screw holes, hub for Zeta P2/Top 21/Classic X



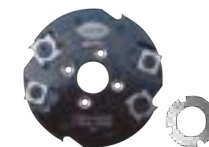
Z6 alternating teeth, without hub, with spacer Art. No. **132106**
for Classic X



Groove cutter HW (carbide), Ø 78 × 3 × Ø 22 mm Art. No. **132009**
Z4, 4 Screw holes, with hub for original wooden biscuit H9 for Zeta P2/Top 21/Classic X



Groove cutter HW (carbide) with reversible blades, Ø 100 × 4 × Ø 22 mm Art. No. **132001**
Z2 + V2, 4 screw holes with hub for Zeta P2/Top 21/Classic X
Set of 4 pieces **132111**
Countersunk screws **352408T**
Allen key, 4 mm **271959L**



Groove cutter HW (carbide) with reversible blades, Ø 100 × 4 × Ø 22 mm Art. No. **132130**
Z4 + V4, 4 screw holes without hub, with spacer for Zeta P2/Top 21/Classic X
Set of 10 pieces main teeth **132134**
Set of 10 pieces scoring teeth **132135**
Replcement set, 4 scoring teeth + 4 main teeth **132133**
Screws **352130**
Torx key **352133**



Groove cutter HW (carbide) with reversible blades, Ø 100 × 8 × Ø 22 mm (Clamex S-18 connector) Art. No. **132108**
Z4 + V4, 4 screw holes for Top 20/Top 21/Classic X
Set of 10 pieces scoring teeth **132137**
Set of 10 pieces main teeth **132136**
Replcement set, 4 scoring teeth + 4 main teeth **132114**



Dust bag Art. No. **257532**
For Zeta P2/Top 21/Classic X

Batteries

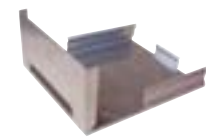


Batteries Art. No. **313013**
Battery pack 18 V, LiHD 4.0 Ah
313015
Battery pack 18 V, LiHD 5.5 Ah
Battery charger ASC 55, plug type C Euro **123100DE**
Battery charger ASC 55, plug typeG **123100GB**

Accessories/ Spare Parts

Lamello System

Lamello System



Slide shoe for biscuit joiner Art. No.
To protect the wall and the machine **251057**
for Zeta P2/Top 21/Classic X



Carbide tipped saw blades HW (carbide)
for expansion gaps, Ø 100 x 2.4 x Ø 22 mm Art. No.
Z20, 4 screw holes, 2 spacers **132350**
for Zeta P2/Top 21/Classic X



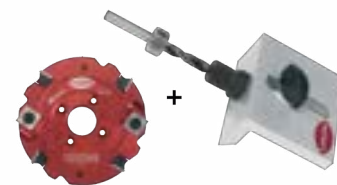
Accessories for saw blades Art. No.
Spacer, Ø 40 x 1 x Ø 22 mm **322510**
with screw holes
for Zeta P2/Top 21/Classic X



Art. No.
Flange M8 to saw blades **252502**



Clamex S-18 drill jig Art. No.
Clamex S drill jig 30°–150°, **125240**
with 6 mm drill complete



Clamex S-18 set Art. No.
Drill jig for 30°–150° incl. drill and carbide **125250**
tipped groove cutter
with drill jig and cutter
includes 1 set 125240 and 1 piece 132108



Clamex S-20 drill jig Art. No.
Incl. drill Ø 6 mm **125253**



Clamex S-20 Drilling and alignment jig Art. No.
Clamex S-20 Drilling and alignment jig **125254**



Torx-Bit Art. No.
1/4" TX 10 L=25 **121281**



Clamex wood drill Art. No.
Ø 6 mm **131506**



Clamex assembly tool Art. No.
For all angles, fast and flexible, hex 4 x 30 mm, **251993**
length 290 mm

Clamping set parts



Clamps Art. No.
5 m clamping strap **175005**
8 m clamping strap **175008**
10 m clamping strap **175010**



Buckle for clamps Art. No.
1 piece, without strap **175060**



Polyester strap for clamps Art. No.
1 roll of 50 m **175050**



Art. No.
Per meter m¹ **335000**



Tension hooks Art. No.
2 pieces **175200**



Profile sections Art. No.
4 pieces, length 12 cm **175401**
4 pieces, length 40 cm **175402**
4 pieces, length 60 cm **175403**

Accessories / Spare Parts

Drilling System



Cabineo



Cabineo installation tool Art. No.
With handle, incl. hex bit 1/4" **256300**



Cabineo hex bit 1/4" GL 120 mm Art. No.
276312



Cabineo hex bit 1/4" GL 80 mm Art. No.
276308

Cabineo hex bit 1/4" GL 80 mm, 100 pieces **276309**



Cabineo drill/cutter Art. No.
Cabineo drill Ø 15 mm with short centering point **136312**



Cabineo cutter Ø 10 mm Art. No.
136310



Cabineo cutter Ø 12 mm Art. No.
136311



Cabineo drills for aggregate* Ø 15 mm Art. No.
RH carbide tipped (right hand rotation) **136314**



Cabineo drills for aggregate* Ø 15 mm Art. No.
LH carbide tipped (left hand rotation) **136315**

Cabineo X



Cabineo cover caps	Art. No.	Art. No.
	100 pieces	2000 pieces
RAL 9003 signal white	186350S	186351S
RAL 9010 pure white	186350W	186351W
RAL 9018 papyrus white	186350P	186351P
RAL 1015 light ivory	186350H	186351H
RAL 1011 brown beige	186350B	186351B
RAL 8007 fawn brown	186350R	186351R
RAL 7040 window grey	186350F	186351F
RAL 7005 mouse grey	186350A	186351A
RAL 9005 jet black	186350T	186351T
Metal look, silver	186350C	186351C
Metal look, nickel	186350N	186351N
Metal look, dark steel	186350D	186351D



Cabineo insert insertion tool Art. No.
For insert M6 **276310**



Cabineo 12 screw Art. No.
500 pieces **186380**
2000 pieces **186381**



Cabineo 8 screw Art. No.
500 pieces **186382**



Cabineo 8 M6 screw Art. No.
500 pieces **186384**



Cabineo X shelf support Art. No.
Ø 5 mm, 500 pieces **186386**
Ø 3 mm, 500 pieces **186388**



Cabineo X screw-in aid Art. No.
Suitable for Cabineo hexagon bit 1/4" GL 80 mm **276313**

Accessories / Spare Parts

Drilling System

Invis Mx2



Invis Mx2 screw bit	Art. No.
1 piece	6112205



Invis Mx2 MiniMag	Art. No.
Incl. screw bit	6100301



Invis Mx2 flexible shank	Art. No.
1 piece	6100204



Invis Mx2 insertion jig	Art. No.
For studs 14 mm	6112333



Invis Mx2 insertion bush for Rasto	Art. No.
For studs 14 mm	6112330

Rasto



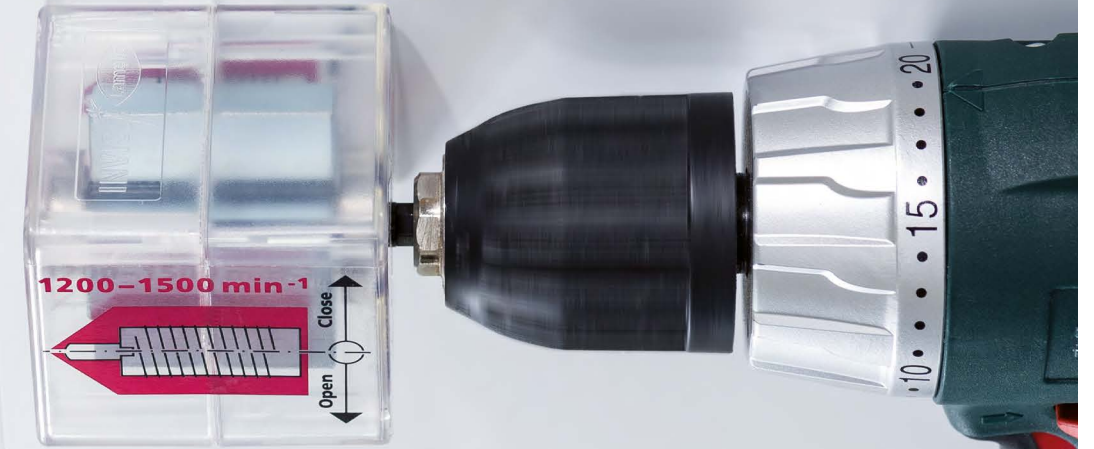
Rasto wood drill bit with centering tip	Art. No.
Ø 5 mm	6100160
Ø 6 mm	6106161
Ø 8 mm	6108060
Ø 10 mm	6110162
Ø 12 mm	6112060



Rasto depth adjuster	Art. No.
Ø 5 mm	6100059
Ø 6 mm	6100063
Ø 8 mm	6100060
Ø 10 mm	6100064
Ø 12 mm	6100061



Invis Mx2 spacer	Art. No.
For Rasto	6112331



Rasto perforated plate	Art. No.
1 piece	6160000



Rasto drill bush	Art. No.
Ø 5 mm	6100065
Ø 6 mm	6100056
Ø 8 mm	6100057
Ø 10 mm	6100067
Ø 12 mm	6100058



Rasto fixing screw	Art. No.
4.5 x 35 mm, TX 25	6560450



Rasto positioning bolts	Art. No.
Ø 5 x 40 mm	6160001










Rasto connection rod 500 mm	Art. No.
Two-part	6160601

Disclaimer regarding load limits




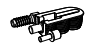

Wherever we list information on material strength or loads for our products, they are empirical values of load limits, based on specifically defined test conditions similar to DIN 68501:2016-11. Specific characteristics, in particular to the effect that the products will reach the listed loads in the actual used case, are not thereby guaranteed. Rather, it is the responsibility of the respective user to check and ensure the suitability of the products for each specific used case. Since actual load limits substantially depend on circumstances unrelated to the products themselves, e.g. the properties of the carrier materials used, the selection of suitable screws, the assembly or the installation environment, any advice provided by us in the form of a product recommendation with regard to a specific suitability is always non-binding and does not release the user from his or her own examination.

To the maximum extent possible under the law, all warranties, express or implied are DISCLAIMED. This includes, but is not limited to, any warranty of fitness for a particular purpose or merchantability. We undertake no responsibility that the goods except as may be included in any contract, and we assume no responsibility that the goods will be fit for any particular purpose, except as may be provided in any contract.

Overview of connectors

				Material strength (mm)				Product page	Product drawing 1:1								
Quantity	Art. No.	1	2	3	4												
P-System																	
 Clamex P Detachable	Clamex P-14	80 300 1000	145334 145346 145356	≥ 12	≥ 15	≥ 29	≥ 18	P. 34	P. 66								
	Clamex P-14/10 Medius	80 300 1000	145370 145371 145357		≥ 16												
	Clamex P-10	80 300 1000	145372 145373 145374		≥ 11	≥ 19				≥ 15	P. 38	P. 66					
	Clamex P-14/10 Flexus	80 300 1000	145315 145316 145317		≥ 16	≥ 18				P. 40	P. 67						
	 Bisco P Detachable	Bisco P-14	80 300 1000		145301 145302 145303	≥ 12				≥ 11*	≥ 21*	≥ 18	P. 46	P. 68			
		Bisco P-10	80 300		145304 145305					≥ 9*	≥ 17*				≥ 15	P. 46	P. 68
		Tenso P Glueing	Tenso P-14		80 300 1000					145415 145425 145435	≥ 12				≥ 11*	≥ 19*	≥ 18
		Tenso P-10	80 300 1000		145418 145428 145438	≥ 12				≥ 9*	≥ 16*	≥ 15	P. 50	P. 69			
		 Divario P Sliding insertion	Divario P-18		80 300 1000	145550 145560 145570				≥ 12	≥ 11	≥ 18	-	P. 52	P. 69		
			Lamello System														
 Original wood biscuit Glueing	Original wood biscuit 20		1000	144020	≥ 6	≥ 13	≥ 26	≥ 12	P. 84	P. 110							
	Original wood biscuit 10	1000	144010	≥ 11		≥ 21	≥ 10	P. 84	P. 110								
	Original wood biscuit 0	1000	144000	≥ 9		≥ 17	≥ 9	P. 84	P. 110								
	Original wood biscuit H9	1000	144009	≥ 5		≥ 8	≥ 15	≥ 8	P. 84	P. 111							
 C20/10 Glueing	C20	250	145010	≥ 6	≥ 13	≥ 26	≥ 13	P. 94	P. 111								
	C10	300	145012		≥ 11	≥ 21	≥ 10	P. 94	P. 111								
 Clamex S Detachable	Clamex S-20	20 80 300 1000	145243 145244 145245 145246	≥ 8	≥ 16	≥ 32	≥ 14	P. 88	P. 112								
	Clamex S-18	18 80 300 1000	145231 145236 145241 145251	≥ 12	≥ 16	≥ 36	≥ 18	P. 90	P. 112								

* Displacer installation (more information regarding on PAGE 49/51)

				Material strength (mm)				Product page	Product drawing 1:1					
Quantity	Art. No.	1	2	3	4									
 E20 Inserted	E20-H	80 400 1200	145021 145026 145028	≥ 8	-	-	≥ 14	P. 86	P. 113					
	E20-L	80 400 1200	145022 145025 145027	≥ 8	-	-	≥ 25	P. 86	P. 113					
	 K20 Inserted	K20	80 250	145001 145000	≥ 8	≥ 14	≥ 25	≥ 14	P. 92	P. 113				
		Drilling System												
 Cabineo Detachable	Cabineo 12	500 2000	186320 186321	≥ 12	≥ 13	≥ 24	-	P. 128	P. 148					
	Cabineo 12 black	500 2000	186330 186331					P. 128	P. 148					
	Cabineo 8	500 2000	186310 186311					P. 130	P. 148					
	Cabineo 8 black	500 2000	186340 186341					P. 130	P. 148					
	Cabineo 8 M6	500 2000	186315 186316					P. 132	P. 148					
	Cabineo 8 M6 black	500 2000	186345 186346					P. 132	P. 148					
	Insert Cabineo M6 x 12.3	100 500	186370 186371					≥ 14	≥ 14	14-16	-	P. 134	P. 149	
	Insert Cabineo M6 x 15.3 for centre panels	100 500	186375 186376					≥ 14	≥ 17	17-25	-	P. 134	P. 149	
	 Cabineo X Detachable	Cabineo X	500 2000					186360 186361	≥ 12	≥ 9	≥ 24	-	P. 136	P. 148
		Cabineo X black	500 2000					186365 186366					P. 136	P. 148
Cabineo 12 screw		500 2000	186380 186381	-	≥ 13	≥ 24	-	P. 136					-	
Cabineo 8 screw		500	186382	-	≥ 9	≥ 16	-	P. 136					-	
Cabineo 8 M6 screw		500	186384	-	≥ 9	≥ 16	-	P. 136					-	
Cabineo X shelf support, Ø 5 mm Cabineo X shelf support, Ø 3 mm		500 500	186386 186388	-	≥ 9	≥ 16	-	P. 136					-	
 Invis Mx2 Detachable	Invis Mx2 connector set with 14 mm stud	20	6012300	≥ 18	≥ 15	-	-	P. 142	S. 150					
	Invis Mx2 connector set with 30 mm stud	20	6012301		≥ 33	-	-	P. 142	P. 150					
	Invis Mx2 connector 35 mm	20	6012317		-	-	-	P. 144	-					
	Invis Mx2 stud 14 mm	20	6012312		≥ 15	-	-	P. 144	P. 150					
	Invis Mx2 stud 30 mm	20	6012309		≥ 33	-	-	P. 144	P. 150					
	Invis Mx2 centre wall stud 10-30 mm	10	6012208		-	10-30	-	P. 144	P. 151					



Manufacturer:
Lamello AG
Joining technology
Hauptstrasse 149
CH-4416 Bubendorf
Tel. +41 61 935 36 36
Fax +41 61 935 36 06
info@lamello.com
www.lamello.com