



VAUTH-
SAGEL
**STORAGE
SOLUTIONS**
24/25



HEINRICH SAGEL (LEFT) AND
HERMANN VAUTH (RIGHT)

Everything starts with an idea. An idea that we believe in, that drives us every day and that surprises and excites us again and again.

” *We want to create high-quality system solutions for living spaces. For everyone, everywhere in the world!*

This is the idea that Hermann Vauth and Heinrich Sagel conceived in 1962. And that we still hold on to today. Every day. To us, space is in the eye of the beholder. We see solutions where others look away. We never rest on our laurels. We are always thinking one step ahead and looking for new challenges in order to recognize and redefine the living spaces of tomorrow and to facilitate and beautify everyday life.

MAXIMUM FUNCTIONALITY AND HIGH-QUALITY DESIGN FOR EVERY KITCHEN AND UTILITY ROOM.



VS TAL®
TALL CABINETS

VS ENVI®
WASTE BIN
SYSTEMS

VS ADD®
ACCESSORIES

VS TOP®
WALL CABINETS

VS COR®
CORNER CABINETS

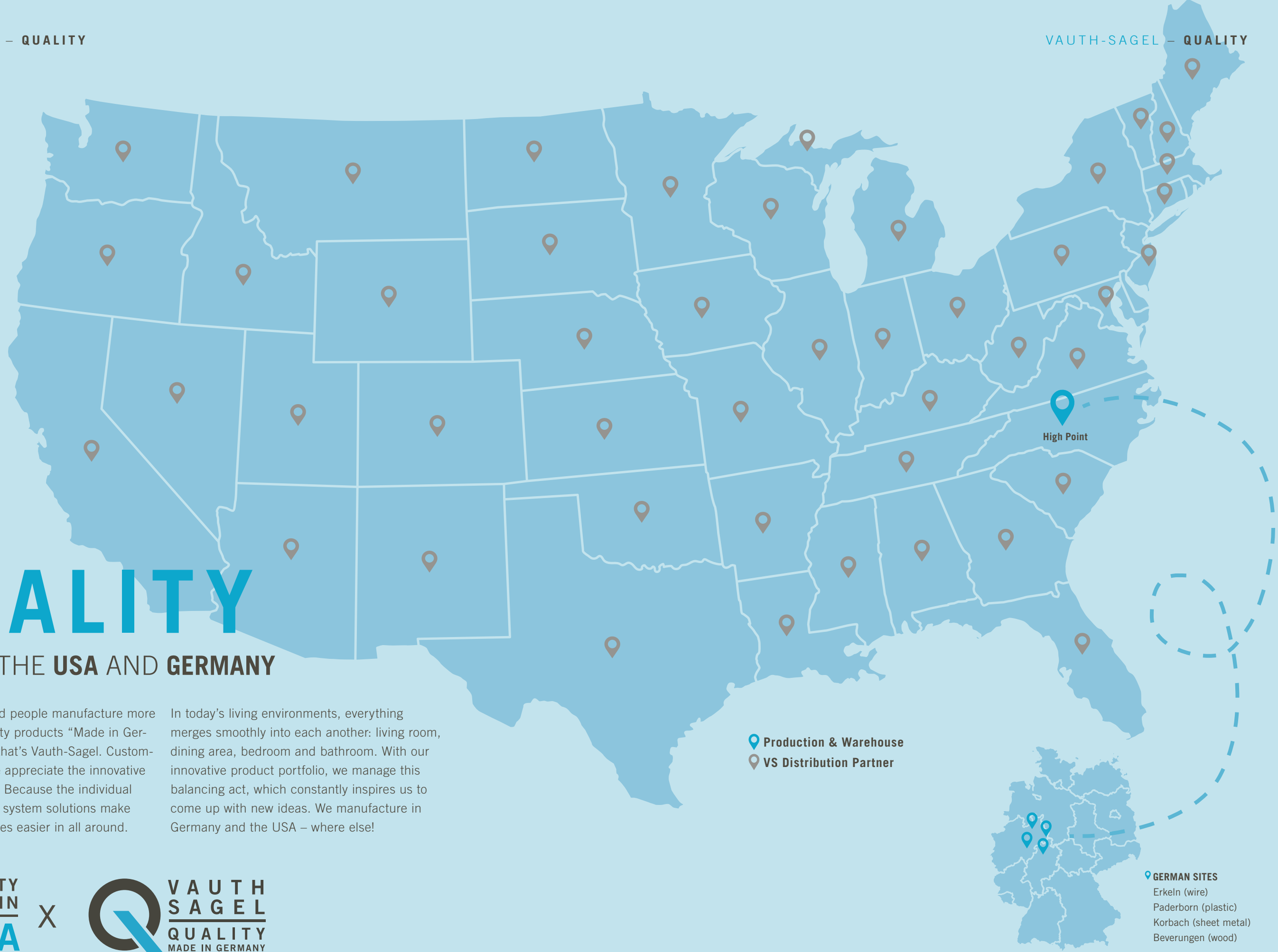
VS SUB®
BASE CABINETS



NEW
LIGANO DESIGN
ACCESSORIES
& VS WASH®

CONTENTS

ABOUT VAUTH-SAGEL	06
Quality	06
Design	08
Sustainability	10
Facts and Figures	12
Our Service	14
Packaging	16
Useful Information	18
Naming	20
DESIGN VARIATIONS	22
VS ENVI® – WASTE BIN SYSTEMS	24
VS ENVI® Space XX / VS ENVI® Space XX Pro	26
VS ENVI® Kick	31
VS ENVI® BMT Saphir	32
VS ENVI® BMT Planero	38
VS ENVI® BMT Ligano	42
VS COR® – CORNER CABINETS	46
VS COR® – BLIND CORNER	
VS CORNERSTONE® MAXX	48
VS CORNERSTONE® Swing	52
VS COR® Flex	56
VS COR® – LAZY SUSAN	
VS COR® Wheel Pro	60
VS COR® Susan Kidney / Fullround	64
VS COR® Susan Kidney / Fullround / Ligano	70
VS COR® Susan Pie Cut	72
VS SUB® – BASE CABINETS	74
VS SUB® Side	76
VS SUB® Pantry	80
VS Pantry Flex	84
VS SUB® Rack Ligano	86
VS TAL® – TALL CABINETS	90
VS TAL® Pantry	92
VS Pantry Flex	100
VS TOP® – WALL CABINETS	102
VS TOP® Hang 26	104
VS TOP® Hang 40	106
VS ADD® – ACCESSORIES	108
VS ADD® Board	110
VS ADD® Box	112
VS ADD® Separator	116
VS ADD® Iron	118
VS WASH®	120
VS WASH® Space XX / Pro	122



QUALITY

MADE IN THE **USA** AND **GERMANY**

When 1,000 qualified people manufacture more than 85 million quality products “Made in Germany” every year – that’s Vauth-Sagel. Customers around the globe appreciate the innovative strength and quality. Because the individual solutions or modular system solutions make people’s everyday lives easier in all around.

In today’s living environments, everything merges smoothly into each another: living room, dining area, bedroom and bathroom. With our innovative product portfolio, we manage this balancing act, which constantly inspires us to come up with new ideas. We manufacture in Germany and the USA – where else!



X



- GERMAN SITES
- Erkeln (wire)
- Paderborn (plastic)
- Korbach (sheet metal)
- Beverungen (wood)



“VS CORNERSTONE® MAXX
IS AN IMPRESSIVE AMBASSADOR OF
GERMAN DESIGN COMBINED WITH
HIGH ENGINEERING SKILLS.

WHAT MAKES US EXCELLENT:

EXCELLENT DESIGN.

We focus on combining design and functionality. Our stylish pull-out systems are not only beautiful to look at; they also offer high-quality convenience and help to make everyday life in the kitchen easier. This has been honoured numerous times and we are proud to have received several renowned design awards with our products.



SUSTAINABILITY

WE DON'T JUST TALK ABOUT IT.
WE PUT IT INTO PRACTICE.

Responsibility for people and the environment is firmly anchored at the core of our business and is inextricably linked to the corporate success of our company. That is why we have invested considerably in the consistent implementation of resource-saving measures. We are proud of results, which prove that it is possible to move mountains: 50% energy savings through conversion to LED

lighting, 44% through optimization of the compressed air system and a 35% saving in resources through powder coating are examples of the path that Vauth-Sagel is taking: in the direction of efficient, sustainable recycling management and, as a consequence, a healthy environment with clean water, fertile soils and clean air.

Read our full environmental report here:



EXEMPLARY MEASURES IN OUR PLANTS



Sustainable heating



Identification of compressed air energy saving potentials



Reduction of electricity consumption



Sustainable painting



Power generation through photovoltaics



Optimization of building management and control technology



Sustainable fleet management



Supporting the "Plant for the planet" initiative



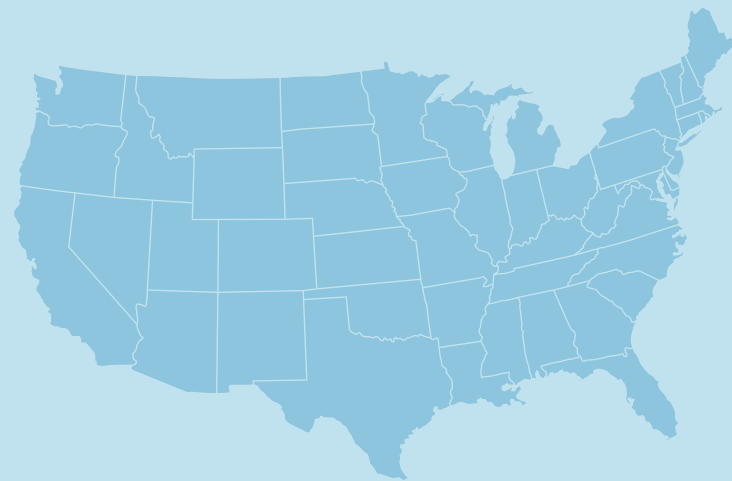
VAUTH-SAGEL MISSION

We want people to rediscover highly **comfortable** living environments and therefore create space. **For everyone**, everywhere in the world!



1,000

QUALIFIED EMPLOYEES



~21,500

SQUARE FEET OF WAREHOUSE SPACE IN THE USA

WITH 1,000 AVAILABLE PALLET SPACES

A FAMILY COMPANY, RUN IN THE 2ND GENERATION BY THE

5

SONS OF FOUNDER HEINRICH SAGEL



PORTFOLIO WITH OVER 3,500 PRODUCTS



85M

PRODUCTS MANUFACTURED EVERY YEAR

FOUNDED IN

1962

BY HERMANN VAUTH AND HEINRICH SAGEL



970,000

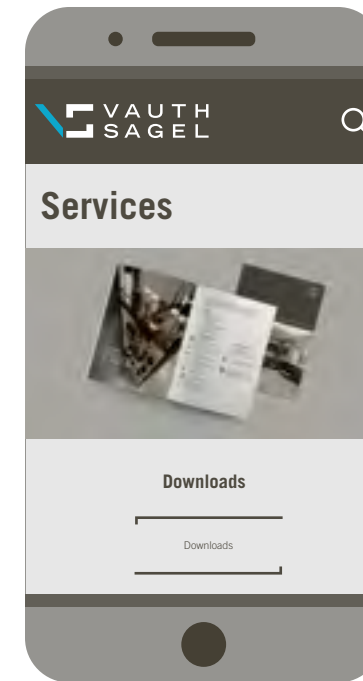


SQUARE FEET OF MANUFACTURING SPACE IN THE 4 PRODUCTION SITES IN THE HEART OF GERMANY

OUR SERVICE

FOR A COMFORTABLE VAUTH-SAGEL EXPERIENCE

For us, comfort is not only a priority when it comes to using our products. We want to create a holistic comfortable Vauth-Sagel experience. That's why we provide you with numerous tools that give inspiration and support you in the planning, selection, installation and maintenance of our products.





WEBSITE
On our website you will find all tools in a bundled form.

Website link: vauth-sagel.de/us/en/digital-services



INSPIRATION

EXPLAINING

PLANNING

TRAINING

MOUNTING

AFTER SALES

SOCIAL MEDIA

Let us inspire you. Follow us on our social media channels and subscribe to our newsletter to be always up to date and not miss any news.



PRODUCT VIDEOS

Image videos



Product installation videos



SHOP-IN-SHOP DISPLAYS

A modular, compact eye-catcher showing our products in a self-explanatory way.

BENEFIT SHEETS

Highlighting the end consumer and installer benefits at a glance.

SAMPLES

In order to make our products tangible, we provide our partners with product samples.

DIGITAL CATALOG

In the product section on our website you can get an overview of the products we offer. The various filters will take you to the product of your choice. The stored photos, films and product descriptions provide you with important information so that you can convince yourself of the advantages of the respective product.

VS WEBINARS

Receive qualified product and installation trainings via our online webinars.

MOUNTING TEMPLATES

To assist you in determining the drilling points, we have developed mounting templates for a large number of our products to make installation easier for you. They are included in the box.

DRILLING DATA

You can find the drilling data for your CNC machine on our website in the product section.

INSTALLATION VIDEOS

Use our installation videos for easy installation of our products. You will find the videos (if available) on our website, our YouTube channel or as QR code on the installation instructions.

ASSEMBLY INSTRUCTIONS

On our assembly instructions you will find the installation of our products explained step by step. They are included in the box and available for download in the product section on our website.

SPARE PARTS LISTS

Even the most durable product is not spared wear and tear. Should you ever need a spare part, our spare parts lists will help you. You can find them on our website in the product section.

TECHNICAL SUPPORT

Scan to view and download assembly instructions, drilling data and spare parts lists.



SUSTAINABLE. PROTECTIVE. CONVENIENT.

Our brand promise to offer you the best quality and greatest practicality starts with our packaging. Like we do with our products, which are easy to use and intended to make everyday life easier, we will be placing even more emphasis on providing you maximum convenience

with our packaging in the future. We are therefore consistently committing to your satisfaction in this area as well and have started to optimize our packaging solutions step by step.



Individual parts cannot slip and be damaged during transport



Maximum protection due to high-quality cardboard



Drop tests check whether our packaging can withstand high loads

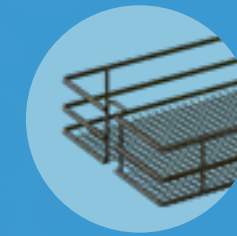


Branding and graphics provide clarity, order and a high-quality appearance

GREATER EFFICIENCY WHILE USING LESS MATERIAL

Starting with product development through production to packaging, we continually keep an eye on the interests of both people and the environment, even when it comes to everything else that goes on during transport. We have made our packaging more effective and sustainable by:

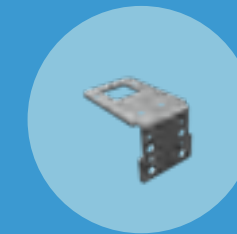
- ✓ Reducing the amount of plastic fill material in favor of cardboard inserts
- ✓ Making optimal use of the available space
- ✓ Using recyclable materials



Product



Assembly instructions



Hardware (if provided)

COMPONENTS

Most of the VS products come in two boxes – one including the frame and runners, the second one including the trays. Some are also shipped in just one box or come with three boxes. On the product pages you can see how many boxes you will receive. The VS boxed products standard packaging is:



Label



Drilling template (if provided)



USEFUL INFORMATION

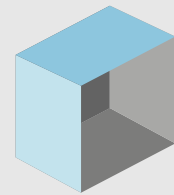
DIMENSIONS

1



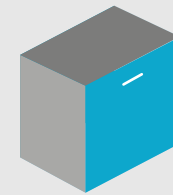
INNER DIMENSIONS

To determine the correct depth of the cabinets, it is not enough to measure only the side outside. Therefore, always measure the cabinet from the inside as well.



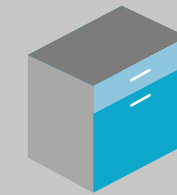
EXTERNAL DIMENSIONS

In addition, specify the external dimensions of the cabinet. These dimensions usually correspond to the cabinet module in inch.



FULL-HEIGHT CABINETS

The product uses the full height of the cabinet.



DRAWER/DOOR CABINETS

The product leaves enough space for a drawer above.

4

APPLICATION

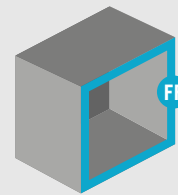
STYLE

2



FRAMELESS / FULL ACCESS

Frameless cabinets provide a modern look and are most commonly seen in European modular-style kitchens. Since the face frame of the cabinet is left out, these cabinets offer full access to the cabinet interior, and larger drawer box capacity.



FACE FRAME

A frame is fixed to the front of the cabinet. This is seen in traditional cabinetry. We assume a 1 1/2" face frame.

BLIND CORNERS

3



LEFT DOOR / BLIND RIGHT

If the blind space is to the right, then the door opens to the left. Then the correct shelves are left shelves.



RIGHT DOOR / BLIND LEFT

If the blind space is to the left, then the door opens to the right. Then the correct shelves are right shelves.

SHORTCUTS

CAB	Cabinet widths	The cabinet width refers to the size of the cabinet the product is designed for.
MCO	Minimum Cabinet opening	The pure opening size of the cabinet through which the product should fit.
D	Installation depth	The minimum depth you need to ensure the product fits perfectly.
H	Installation height	The minimum internal height you need to ensure that the product fits perfectly.
W	Basket or Cabinet Width	The pure width of the basket or cabinet.

CLEAR NAMING IS KEY

With over 3,500 products in our portfolio, we place particular emphasis on clarity. Therefore, we have introduced a stringent nomenclature to make the naming of our products internationally understandable. Our product names are consistently derived from English and consist of three parts: the Vauth-Sagel initials, a product family assignment and a functional attribute.

VS COR® Wheel (Pro)

VAUTH-SAGEL INITIALS

PRODUCT FAMILY ASSIGNMENT

®-SIGN

FUNCTIONAL ATTRIBUTE

ADDITIONAL ADVANTAGE

By means of this naming, you can see at first glance whether it is a storage solution for a tall cabinet, base cabinet, corner cabinet or a waste bin system. Here, the initials as well as the attribution are completely written in capital letters.

The registered trademark underlines our claim to quality and that it is a branded product. The registered sign only applies to our product family assignment in combination with our VS initials.

This part of the name describes a functional attribute of the product: in this case, "Wheel" stands for "round/rotatable". Here, only the initial letter is written in capital letters, the rest in lower case.

As a further level of distinction, some names have a single letter or the addition of "Pro" after the attribute – this identifies product variations with an additional advantage.

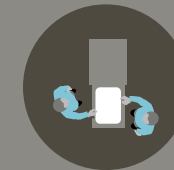
PRODUCT BENEFITS

Of course, each of our products has specific advantages on both the consumer and installer side. However, some advantages are general and do not refer only to individual products. These are the following:



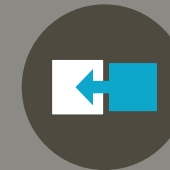
Save Time

With our products you no longer have to crawl into your cabinets. Even the items in the back can be easily reached. That makes your daily life easier and saves time.



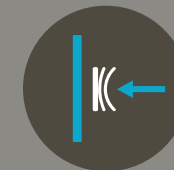
Optimal Access

No need to constantly move around items to find the one you need. Everything is stored in an easy access format.



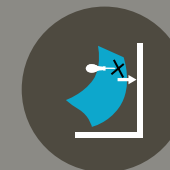
Retrofit Ready

All our products can be installed in existing cabinetry without removing the countertop. This provides huge remodeling opportunities.



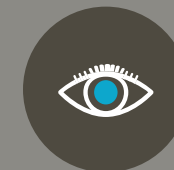
Integrated Soft And Self-Closing

All our products come with a damping mechanism that provides a soft-close action of the unit. For some products the damping mechanism is optional.



Installation Template

Most of our products come with an installation template for easy installation.



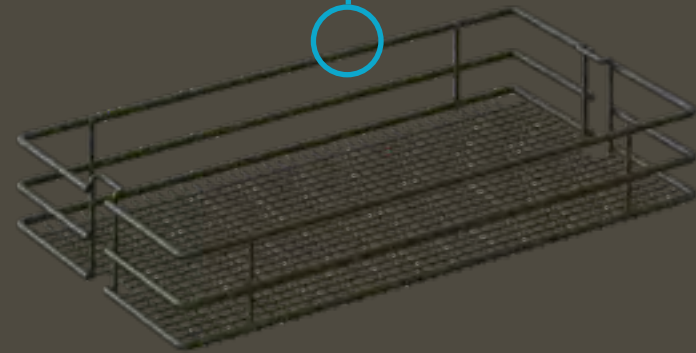
Complete Visibility With One Pull

For most of our products, when the door is opened, every item is instantly visible.

DESIGN VARIATIONS

VERSATILE AND FLEXIBLE Shape and material are often a matter of taste when choosing a design. For this reason, the entire Vauth-Sagel program is designed as a modular system in which the guide and the frame can be combined with all storage designs.

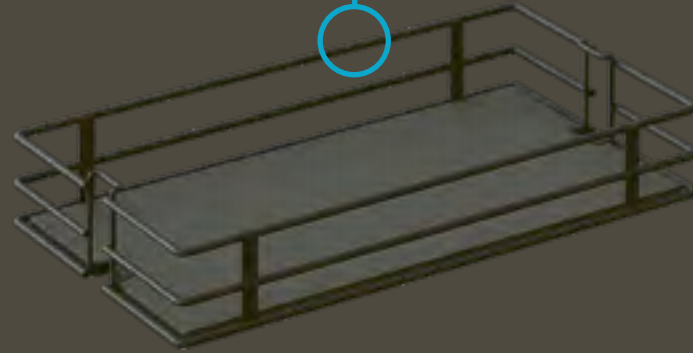
SAPHIR



A GEM IN TERMS OF AESTHETICS AND FUNCTIONALITY

This fine mesh wire basket shelf offers a unique look and a stability that can easily cope with any kind of load.

SCALEA



TIMELESS DESIGN FOR AMERICAN KITCHENS

This timeless shelf version upgrades any cabinet interior with a solid wood shelf with an elegant wire guard rail. The wooden shelf offers an optimum base for safely storing everything that's in daily use.

PLANERO®



STORAGE DESIGN FOR THOSE WHO LOVE AESTHETICS

Planero ensures that high-quality kitchen design continues seamlessly inside and that the interior and the exterior merge into a consistent whole. The high-quality storage product line with a soft, rounded design makes it possible for you to express your individuality.

LIGANO



WOOD AT THE HEART OF AMERICAN KITCHENS

Traditional cuisines continue to be just as popular as ever. The Ligano design line ensures a consistent look from the outside in, with elegant storage solutions based on warm woods such as maple and birch complementing the classic style of the kitchen fronts perfectly. Subtle metallic highlights add a contemporary twist.



Fine mesh wire basket shelf



Exclusive construction method for excellent stability



Ensures air circulation and transparency



Timeless design



High-quality, elegant wire guard rail



Solid wooden shelf for reliable stability



Closed storage shelf with elegant sheet-metal edge



Sealing strip all the way round the wooden shelf



Concealed basket brackets

COLORS



platinum



lava

COLOR COMBINATIONS



lava / lava



lava / walnut



platinum / maple



lava / maple

COLOR COMBINATIONS



lava / lava



lava / walnut

COLOR COMBINATIONS



platinum / wood



lava / wood

The first color always refers to the metal finish color, the second to the shelf base or the bin color.



VS ENVI® – WASTE BIN SYSTEMS

Hygiene, environmental awareness and sustainability play a special role in the kitchen – especially in waste disposal. This requires system solutions which

maintain both the cleanliness of the kitchen and a flexible separation. As a result, it's not only your own living space that stays clean, but nature as well.



A BIG HELP IN A SMALL CABINET.

FOR FACE FRAME & FRAMELESS KITCHEN



VS ENVI® Space XX Pro Full height version



Watch it!

VS ENVI® Space XX TOP MOUNTED WASTE BIN

FEATURES



Powder-coated lid for extra storage



Synchronised runners with over extension



Easy to clean & dishwasher proof bins up to 158°F



Bins are made out of a non-toxic polymer

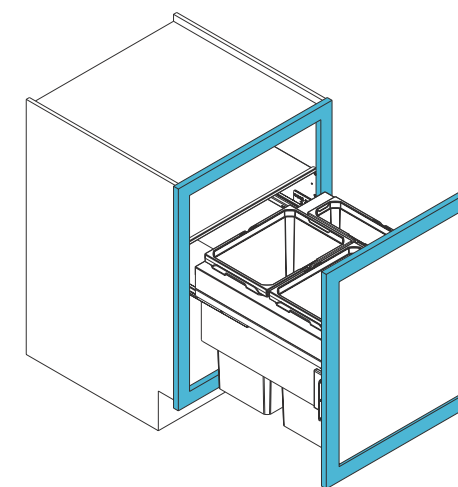


Convenient carrying handles



Cam shaft 3-D adjustment

DETAILS



- Cabinet widths (CAB): 15", 18", 21" and 24"
- Cabinet opening (MCO):
 - FF 12", 15", 18" and 21"
 - FL 13-1/2", 16-1/2", 19-1/2" and 22-1/2"
- FF width: 1-1/2"
- Installation depth: min. 20-1/2"
- Installation height:
 - VS ENVI® Space XX: min. 19-1/2"
 - VS ENVI® Space XX Pro: min. 23"
- Capacity: 31qt to 101qt
- Finish:
 - silver
 - gray
 - lava
 - lava
- Additionally available: VS ENVI® Kick

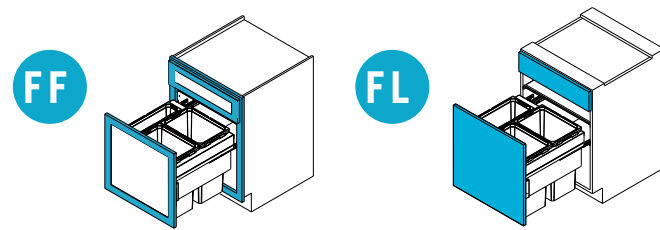
CABINET DIMENSIONS

FF	CAB	MCO	D	H	Cabinet widths (CAB)	FF cabinet opening (MCO)	Installation depth (D)	Installation height (H) VS ENVI® Space XX	Installation height (H) VS ENVI® Space XX Pro
					15"	12"	20-1/2"	19-1/2"	23"
18"	15"	20-1/2"	19-1/2"	23"					
21"	18"	20-1/2"	19-1/2"	23"					
24"	21"	20-1/2"	19-1/2"	23"					

FL	CAB	MCO	D	H	Cabinet widths (CAB)	FL cabinet opening (MCO)	Installation depth (D)	Installation height (H) VS ENVI® Space XX	Installation height (H) VS ENVI® Space XX Pro
					15"	13-1/2"	20-1/2"	19-1/2"	23"
18"	16-1/2"	20-1/2"	19-1/2"	23"					
21"	19-1/2"	20-1/2"	19-1/2"	23"					
24"	22-1/2"	20-1/2"	19-1/2"	23"					

UNDER DRAWER

- Under cabinet / drawer waste bin
- Top mounted
- Pullouts with soft-close



1 BIN & 1 BOX



	1./3. silver	2./4. lava	Cabinet width	Cabinet opening	Product height	Product width	Product depth	Capacity
FF	10090008742	10090008899	15"	12"	19-1/16"	13-1/2"	20-3/8"	1 bin 31qt and 1 box 1.5qt
FL	10090008738	10090008895	15"	13-1/2"	18-7/8"	13-1/2"	20-3/8"	1 bin 31qt and 1 box 1.5qt

2 BINS



	1./3. silver	2./4. lava	Cabinet width	Cabinet opening	Product height	Product width	Product depth	Capacity
FF	10090008743	10090008900	18"	15"	19-3/16"	16-1/2"	20-3/8"	2 bins 31qt
FF	10090008744	10090008901	21"	18"	19-3/16"	19-1/2"	20-3/8"	2 bins 31qt
FL	10090008739	10090008896	18"	16-1/2"	18-7/8"	16-1/2"	20-3/8"	2 bins 31qt
FL	10090008740	10090008897	21"	19-1/2"	18-7/8"	19-1/2"	20-3/8"	2 bins 31qt

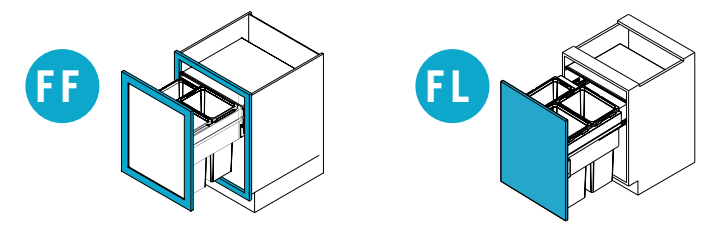
3 BINS



	1./3. silver	2./4. lava	Cabinet width	Cabinet opening	Product height	Product width	Product depth	Capacity
FF	10090008745	10090008902	24"	21"	19-1/16"	22-1/2"	20-3/8"	2 bins 31qt and 1 bin 10qt
FL	10090008741	10090008898	24"	22-1/2"	18-7/8"	22-1/2"	20-3/8"	2 bins 31qt and 1 bin 22qt

FULL HEIGHT

- Full height waste bin
- Top mounted
- Pullouts with soft-close



1 BIN & 1 BOX



	1./3. silver	2./4. lava	Cabinet width	Cabinet opening	Product height	Product width	Product depth	Capacity
FF	10090008462	10090009903	15"	12"	22-1/6"	13-1/2"	20-3/8"	1 bin 31qt and 1 box 1.5qt
FL	10090008393	10090009899	15"	13-1/2"	22-3/4"	13-1/2"	20-3/8"	1 bin 37qt and 1 box 1.5qt

2 BINS



	1./3. silver	2./4. lava	Cabinet width	Cabinet opening	Product height	Product width	Product depth	Capacity
FF	10090008463	10090009904	18"	15"	22-5/8"	16-1/2"	20-3/8"	2 bins 31qt
FF	10090008464	10090009905	21"	18"	22-5/8"	19-1/2"	20-3/8"	2 bins 31qt
FL	10090008392	10090009900	18"	16-1/2"	22-7/16"	16-1/2"	20-3/8"	2 bins 37qt
FL	10090008391	10090009901	21"	19-1/2"	22-7/16"	19-1/2"	20-3/8"	2 bins 37qt

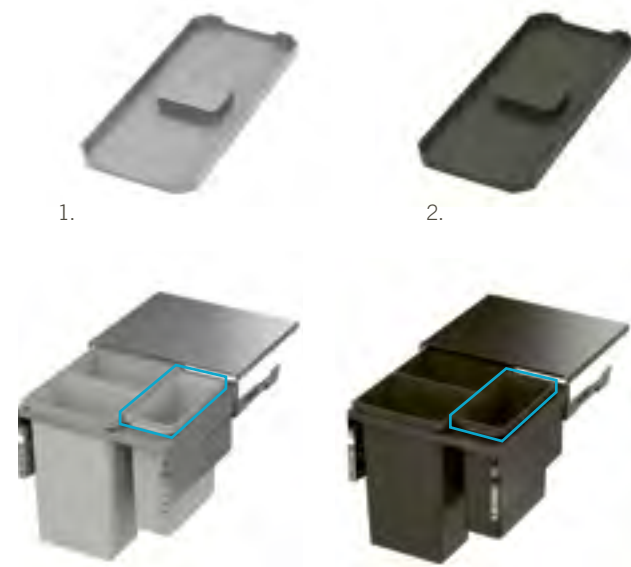
3 BINS



	1./3. silver	2./4. lava	Cabinet width	Cabinet opening	Product height	Product width	Product depth	Capacity
FF	10090008465	10090009906	24"	21"	22-5/8"	22-1/2"	20-3/8"	2 bins 31qt and 1 bin 10qt
FL	10090008390	10090009902	24"	22-1/2"	22-7/16"	22-1/2"	20-3/8"	2 bins 37qt and 1 bin 22qt

VS ENVI® WASTE LID

Available for the 21 qt bin to prevent the occurrence of bad odors.



- 1. gray 10090005313
- 2. lava 10091001514

ONLY AVAILABLE FOR THE SMALL 10QT BIN IN THE FRAMELESS TRIPLE VERSION VS ENVI® SPACE XX PRO VS WASH® SPACE XX PRO



VS ENVI® Kick KICK OPENER

SUPPLEMENT FOR VS ENVI® SPACE XX VS ENVI® SPACE XX PRO VS ENVI® BMT PLANERO VS WASH® SPACE XX / PRO



FOR FRAMELESS KITCHEN

A system for a **soft** and **comfortable** opening of all front pull-outs such as the VS ENVI® Space XX. The ergonomically designed step opens the waste bin system fully with little effort. The opening **mechanism** returns automatically to its starting position.

DETAILS

VS ENVI® KICK

chrome 	Minimum plinth height	Installation depth
10090006930	2-3/4"	1-1/4"

NICE AND STABLE FROM THE GROUND UP.

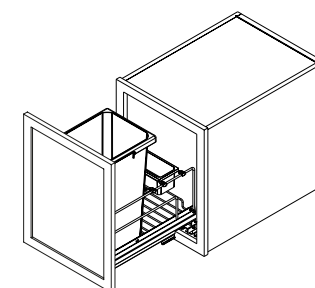
FOR FACE FRAME & FRAMELESS KITCHEN

VS ENVI® BMT Saphir
BOTTOM MOUNTED WASTE BIN

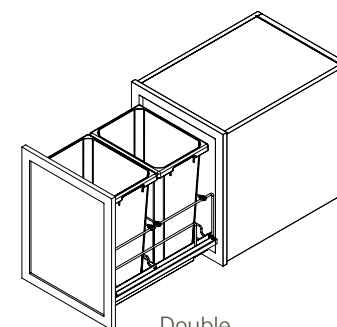


Watch it!





DETAILS



Single



Double

- Cabinet widths (CAB): 15" and 18"
- **FF** Cabinet opening (MCO):
Single version: 12"
Double version: 15"
- FF width: 1-1/2"
- **FL** Cabinet opening (MCO):
Single version: min. 13"
Double version: min. 16"
- Installation depth: min. 22-1/2"
- Installation height:
35qt: 20-1/2"
50qt: 24"
- Capacity:
Single version: 35 or 50qt
Double version: 70 or 100qt
- Finish:
Bins: silver 
Bins: gray 
- Finish:
Bins: lava 
Bins: lava 

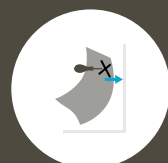
FEATURES



Single bin version comes with extra storage box



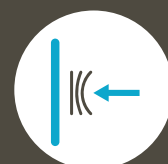
Adjustable security rods



Installation template for easy and fast installation



Easy bottom mount installation



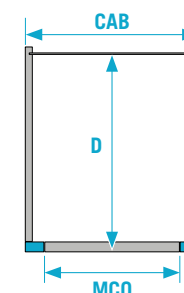
Integrated soft and self-closing



Retrofit ready can be installed in existing cabinetry without removing the countertop

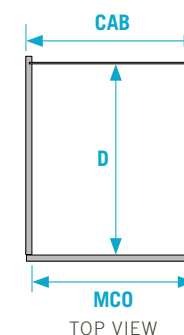
CABINET DIMENSIONS

FF



Cabinet widths (CAB)	FF cabinet opening (MCO)	Installation depth (D)	Installation height 35qt	Installation height 50qt
15"	12"	22-1/2"	20-1/2"	24"
18"	15"	22-1/2"	20-1/2"	24"

FL



Cabinet widths (CAB)	FL cabinet opening (MCO)	Installation depth (D)	Installation height 35qt	Installation height 50qt
min. 14.5"	min. 13"	22-1/2"	20-1/2"	24"
min. 17.5"	min. 16"	22-1/2"	20-1/2"	24"

TOP VIEW



**35 QT - UNDER DRAWER
Flatpacked**

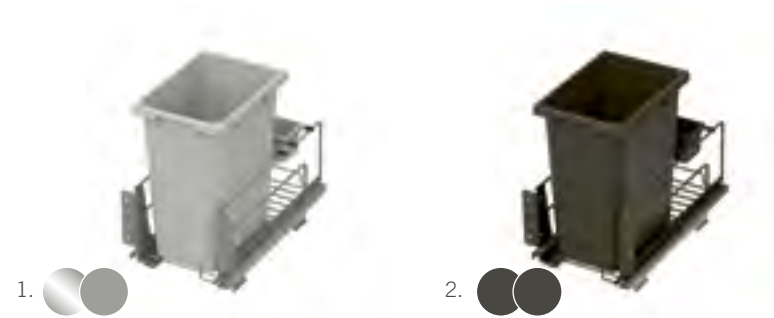
- Under cabinet / drawer waste bin
- Bottom-mounted
- Pullouts with soft-close



**50 QT - FULL HEIGHT
Flatpacked**

- Full height waste bin
- Bottom mounted
- Pullouts with soft-close

**SINGLE BIN
35qt**



Item #	Cabinet width	FF cabinet opening	FL cabinet opening	Installation depth	Installation height	Capacity	Finish Fitting / Bins
90092000117	15"	min. 12"	min. 13"	22-1/2"	20-1/2"	1 bin 35qt and 1 box 1.5qt	1. silver / gray
90092000101	15"	min. 12"	min. 13"	22-1/2"	20-1/2"	1 bin 35qt and 1 box 1.5qt	2. lava / lava

**SINGLE BIN
50qt**



Item #	Cabinet width	FF cabinet opening	FL cabinet opening	Installation depth	Installation height	Capacity	Finish Fitting / Bins
90092000118	15"	min. 12"	min. 13"	22-1/2"	24"	1 bin 50qt and 1 box 1.5qt	5. silver / gray
90092000102	15"	min. 12"	min. 13"	22-1/2"	24"	1 bin 50qt and 1 box 1.5qt	6. lava / lava

**DOUBLE BIN
35qt**



Item #	Cabinet width	FF cabinet opening	FL cabinet opening	Installation depth	Installation height	Capacity	Finish Fitting / Bins
90092000119	18"	min. 15"	min. 16"	22-1/2"	20-1/2"	2 bins 35qt	3. silver / gray
90092000103	18"	min. 15"	min. 16"	22-1/2"	20-1/2"	2 bins 35qt	4. lava / lava

**DOUBLE BIN
50qt**



Item #	Cabinet width	FF cabinet opening	FL cabinet opening	Installation depth	Installation height	Capacity	Finish Fitting / Bins
90092000120	18"	min. 15"	min. 16"	22-1/2"	24"	2 bins 50qt	7. silver / gray
90092000104	18"	min. 15"	min. 16"	22-1/2"	24"	2 bins 50qt	8. lava / lava



35 QT - UNDER DRAWER Preassembled

- Under cabinet / drawer waste bin
- Bottom-mounted
- Pullouts with soft-close



SINGLE BIN 35qt

Item #	Cabinet width	FF cabinet opening	FL cabinet opening	Installation depth	Installation height	Capacity	Finish Fitting / Bins
90098000005	15"	min. 12"	min. 13"	22-1/2"	20-1/2"	1 bin 35qt and 1 box 1.5qt	1. silver / gray
90098000001	15"	min. 12"	min. 13"	22-1/2"	20-1/2"	1 bin 35qt and 1 box 1.5qt	2. lava / lava

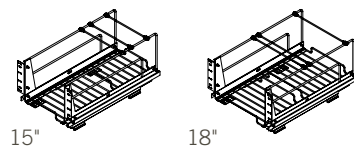
DOUBLE BIN 35qt



Item #	Cabinet width	FF cabinet opening	FL cabinet opening	Installation depth	Installation height	Capacity	Finish Fitting / Bins
90098000007	18"	min. 15"	min. 16"	22-1/2"	20-1/2"	2 bins 35qt	3. silver / gray
90098000003	18"	min. 15"	min. 16"	22-1/2"	20-1/2"	2 bins 35qt	4. lava / lava

BULK PACKAGES

Packing unit of 20 preassembled VS ENVI® BMT Saphir without bins



Item # silver	Item # lava	Cabinet width	FF cabinet opening	FL cabinet opening	Installation depth
10090010290	10090010289	15"	min. 12"	min. 13"	22-1/2"
10090010292	10090010291	18"	min. 15"	min. 16"	22-1/2"



50 QT - FULL HEIGHT Preassembled

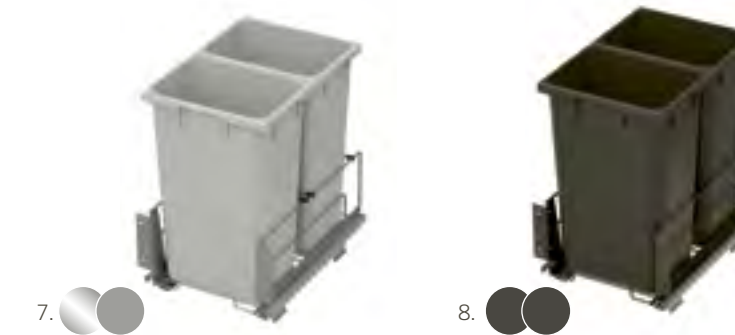
- Full height waste bin
- Bottom mounted
- Pullouts with soft-close



SINGLE BIN 50qt

Item #	Cabinet width	FF cabinet opening	FL cabinet opening	Installation depth	Installation height	Capacity	Finish Fitting / Bins
90098000006	15"	min. 12"	min. 13"	22-1/2"	24"	1 bin 50qt and 1 box 1.5qt	5. silver / gray
90098000002	15"	min. 12"	min. 13"	22-1/2"	24"	1 bin 50qt and 1 box 1.5qt	6. lava / lava

DOUBLE BIN 50qt



Item #	Cabinet width	FF cabinet opening	FL cabinet opening	Installation depth	Installation height	Capacity	Finish Fitting / Bins
90098000008	18"	min. 15"	min. 16"	22-1/2"	24"	2 bins 50qt	7. silver / gray
90098000004	18"	min. 15"	min. 16"	22-1/2"	24"	2 bins 50qt	8. lava / lava

SINGLE BINS

Available for VS ENVI® BMT Saphir and Planero®

	gray	lava	Description
1.	10090005833	10090009117	1.5qt box
2.	90054000001	90054000034	35qt bin
3.	90054000002	90054000035	50qt bin



PREFERABLY CUSTOMISED
ON THE INSIDE.

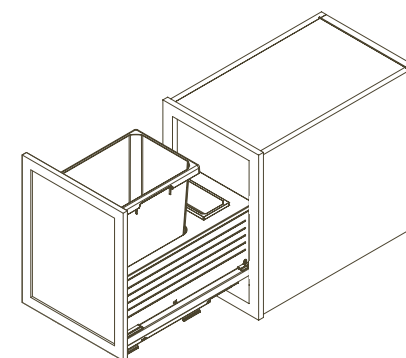
FOR
FACE FRAME &
FRAMELESS
KITCHEN

VS ENVI® BMT Planero
BOTTOM MOUNTED WASTE BIN
WITH OPTIONAL SIDE PANELS

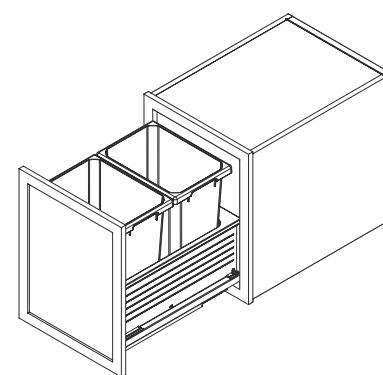


Watch it!

DETAILS



Single



Double

- Cabinet widths (CAB): 15" and 18"
- FF
 - Cabinet opening (MCO):
 - Single version: 12"
 - Double version: 15"
 - FF width: 1-1/2"
- FL
 - Cabinet opening (MCO):
 - Single version: min. 13"
 - Double version: min. 16"
- Installation depth: min. 22-1/2"
- Installation height:
 - 35qt: 20-1/2"
 - 50qt: 24"
- Capacity:
 - Single version: 35 or 50qt
 - Double version: 70 or 100qt
- Finish:
 - Bins: silver 
 - Bins: gray 
 - Finish: lava 
 - Bins: lava 
 - Panels:
 - maple 
 - walnut 

FEATURES



Single bin version comes with extra storage box



Synchronised runners with over extension



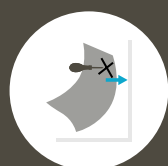
Exchangeable side panels



EasyFit

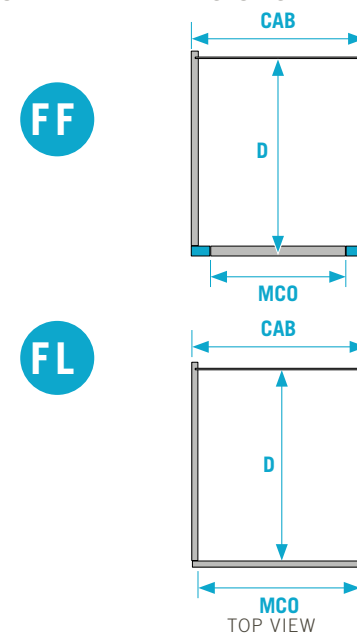


3D front adjustment



Installation template for easy and fast installation

CABINET DIMENSIONS



Cabinet widths (CAB)	FF cabinet opening (MCO)	Installation depth (D)	Installation height 35qt	Installation height 50qt
15"	12"	22-1/2"	20-1/2"	24"
18"	15"	22-1/2"	20-1/2"	24"

Cabinet widths (CAB)	FL cabinet opening (MCO)	Installation depth (D)	Installation height 35qt	Installation height 50qt
min. 14.5"	min. 13"	22-1/2"	20-1/2"	24"
min. 17.5"	min. 16"	22-1/2"	20-1/2"	24"

EXCLUDING SIDE PANELS

SINGLE BIN
35qt and 50qt



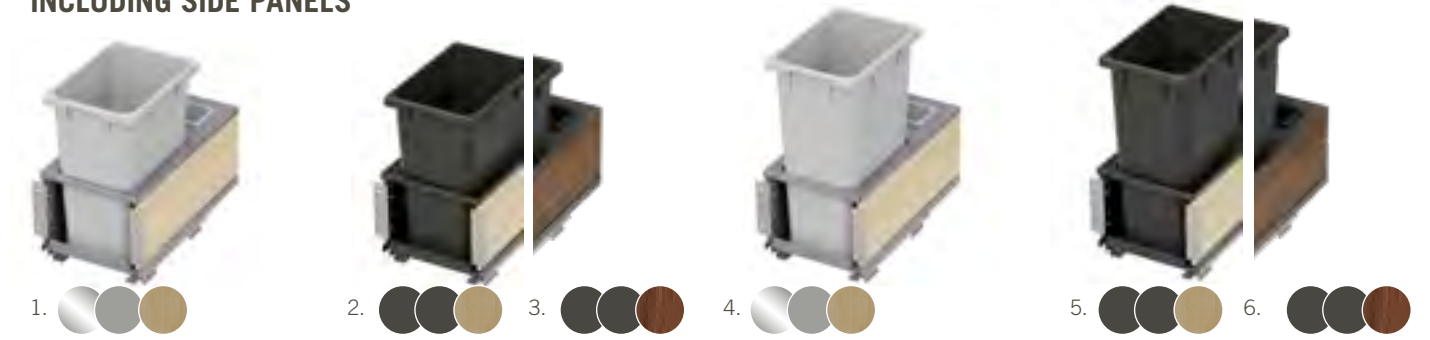
Item #	Cabinet width FF / FL	FF cabinet opening	FL cabinet opening	Installation depth	Installation height	Capacity	Finish Frame / Bins
90092000121	15" / min. 14-1/2"	min. 12"	min. 13"	22-1/2"	20-1/2"	1 bin 35qt and 1 box 1.5qt	1. silver / gray
90092000105	15" / min. 14-1/2"	min. 12"	min. 13"	22-1/2"	20-1/2"	1 bin 35qt and 1 box 1.5qt	2. lava / lava
90092000122	15" / min. 14-1/2"	min. 12"	min. 13"	22-1/2"	24"	1 bin 50qt and 1 box 1.5qt	3. silver / gray
90092000106	15" / min. 14-1/2"	min. 12"	min. 13"	22-1/2"	24"	1 bin 50qt and 1 box 1.5qt	4. lava / lava

DOUBLE BIN
70qt and 100qt



Item #	Cabinet width FF / FL	FF cabinet opening	FL cabinet opening	Installation depth	Installation height	Capacity	Finish Frame / Bins
90092000123	18" / min. 17-1/2"	min. 15"	min. 16"	22-1/2"	20-1/2"	2 bins 35qt	5. silver / gray
90092000107	18" / min. 17-1/2"	min. 15"	min. 16"	22-1/2"	20-1/2"	2 bins 35qt	6. lava / lava
90092000124	18" / min. 17-1/2"	min. 15"	min. 16"	22-1/2"	24"	2 bins 50qt	7. silver / gray
90092000108	18" / min. 17-1/2"	min. 15"	min. 16"	22-1/2"	24"	2 bins 50qt	8. lava / lava

INCLUDING SIDE PANELS



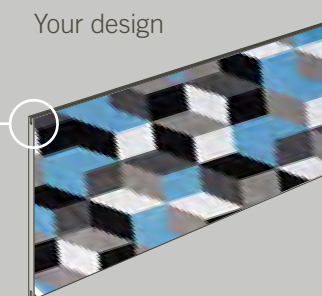
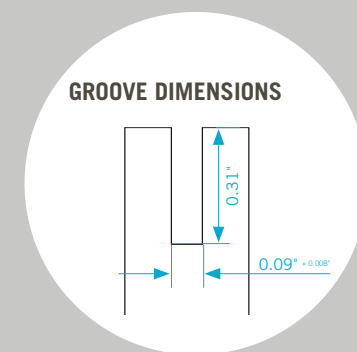
Item #	Cabinet width FF / FL	FF cabinet opening	FL cabinet opening	Installation depth	Installation height	Capacity	Finish Frame / Bins / Side panels
90092000125	15" / min. 14-1/2"	min. 12"	min. 13"	22-1/2"	20-1/2"	1 bin 35qt and 1 box 1.5qt	1. silver / gray / maple
90092000109	15" / min. 14-1/2"	min. 12"	min. 13"	22-1/2"	20-1/2"	1 bin 35qt and 1 box 1.5qt	2. lava / lava / maple
90092000110	15" / min. 14-1/2"	min. 12"	min. 13"	22-1/2"	20-1/2"	1 bin 35qt and 1 box 1.5qt	3. lava / lava / walnut
90092000126	15" / min. 14-1/2"	min. 12"	min. 13"	22-1/2"	24"	1 bin 50qt and 1 box 1.5qt	4. silver / gray / maple
90092000111	15" / min. 14-1/2"	min. 12"	min. 13"	22-1/2"	24"	1 bin 50qt and 1 box 1.5qt	5. lava / lava / maple
90092000112	15" / min. 14-1/2"	min. 12"	min. 13"	22-1/2"	24"	1 bin 50qt and 1 box 1.5qt	6. lava / lava / walnut



Item #	Cabinet width FF / FL	FF cabinet opening	FL cabinet opening	Installation depth	Installation height	Capacity	Finish Frame / Bins / Side panels
90092000127	18" / min. 17-1/2"	min. 15"	min. 16"	22-1/2"	20-1/2"	2 bins 35qt	7. silver / gray / maple
90092000113	18" / min. 17-1/2"	min. 15"	min. 16"	22-1/2"	20-1/2"	2 bins 35qt	8. lava / lava / maple
90092000114	18" / min. 17-1/2"	min. 15"	min. 16"	22-1/2"	20-1/2"	2 bins 35qt	9. lava / lava / walnut
90092000128	18" / min. 17-1/2"	min. 15"	min. 16"	22-1/2"	24"	2 bins 50qt	10. silver / gray / maple
90092000115	18" / min. 17-1/2"	min. 15"	min. 16"	22-1/2"	24"	2 bins 50qt	11. lava / lava / maple
90092000116	18" / min. 17-1/2"	min. 15"	min. 16"	22-1/2"	24"	2 bins 50qt	12. lava / lava / walnut

CUSTOMIZE YOUR PANELS

- Side panels can be made of solid wood, melamine or laminate panels.
- Cut your side panel to the size:
 - Panel Size: 21.85"W x 7.60"H x 0.31" Thick
 - Dimension of Groove Deep = 0.21" Deep x 0.09" Groove Width
- Slide the side panel into your unit for a customized look.



WOOD IN ITS MOST
PERFECT FORM.

FOR
FACE FRAME &
FRAMELESS
KITCHEN

VS ENVI® BMT Ligano
BOTTOM MOUNTED WASTE BIN

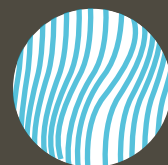
FEATURES



Single bin version comes with extra storage box



Synchronised runners with over extension



Uniform veneer appearance



Installation on the guides without the need for tools

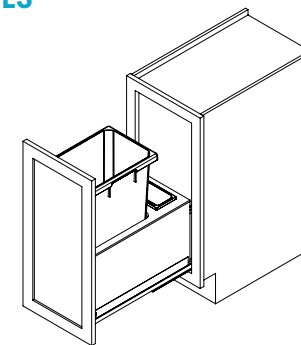


3D front adjustment

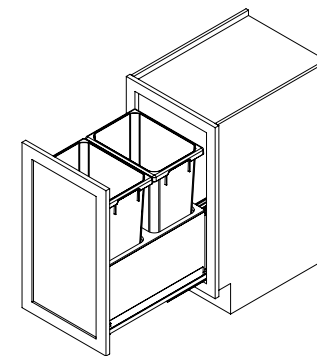


Installation template for easy and fast installation

DETAILS



Single



Double

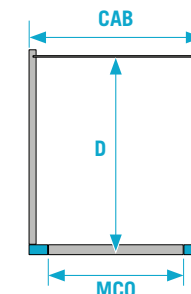
- Cabinet widths (CAB): 15" and 18"
- FF
- Cabinet opening (MCO):
Single version: 12"
Double version: 15"
- FF width: 1-1/2"
- FL
- Cabinet opening (MCO):
Single version: min. 13"
Double version: min. 16"
- Installation depth: min. 22-1/2"
- Installation height:
35qt: 20-1/2"
50qt: 24"
- Capacity:
Single version: 35 or 50qt
Double version: 70 or 100qt

- Finish:
Bins: platinum / wood
gray
- Finish:
Bins: lava / wood
lava



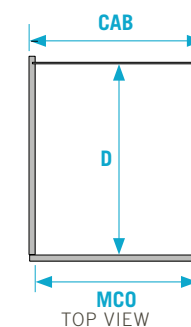
CABINET DIMENSIONS

FF



Cabinet widths (CAB)	FF cabinet opening (MCO)	Installation depth (D)	Installation height 35qt	Installation height 50qt
15"	12"	22-1/2"	20-1/2"	24"
18"	15"	22-1/2"	20-1/2"	24"

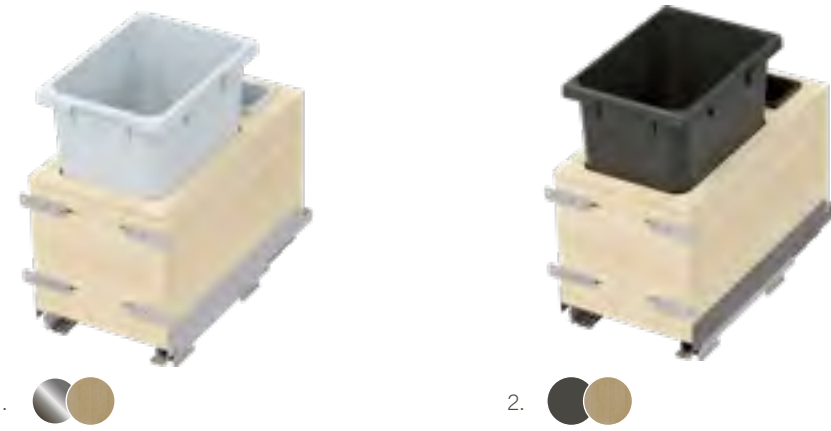
FL



Cabinet widths (CAB)	FL cabinet opening (MCO)	Installation depth (D)	Installation height 35qt	Installation height 50qt
min. 14-1/2"	min. 13"	22-1/2"	20-1/2"	24"
min. 17-1/2"	min. 16"	22-1/2"	20-1/2"	24"

35 QT - UNDER DRAWER Preassembled

- Under cabinet/drawer waste bin
- Bottom-mounted
- Pullouts with soft-close

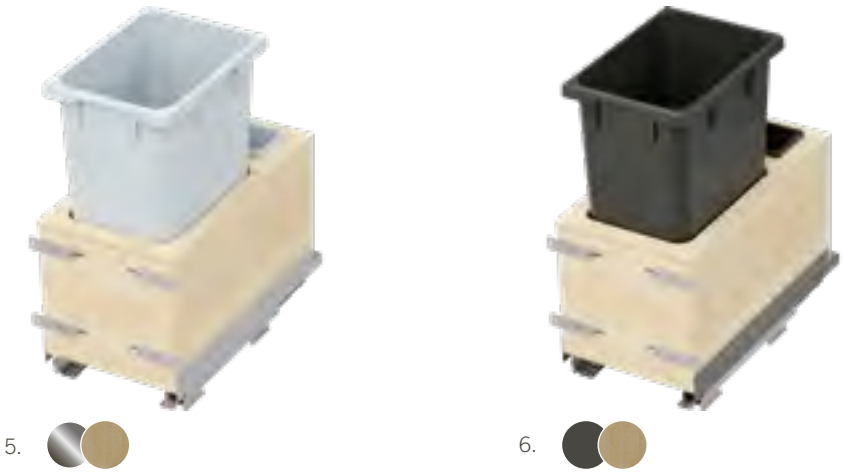


SINGLE BIN 35qt

Item #	Cabinet width	FF cabinet opening	FL cabinet opening	Installation depth	Installation height	Capacity	Finish / Fitting / Bins
*	15"	min. 12"	min. 13"	22-1/2"	20-1/2"	1 bin 35qt and 1 box 1.5qt	1. platinum / wood / gray
*	15"	min. 12"	min. 13"	22-1/2"	20-1/2"	1 bin 35qt and 1 box 1.5qt	2. lava / wood / lava

50 QT - FULL HEIGHT Preassembled

- Full height waste bin
- Bottom mounted
- Pullouts with soft-close



SINGLE BIN 50qt

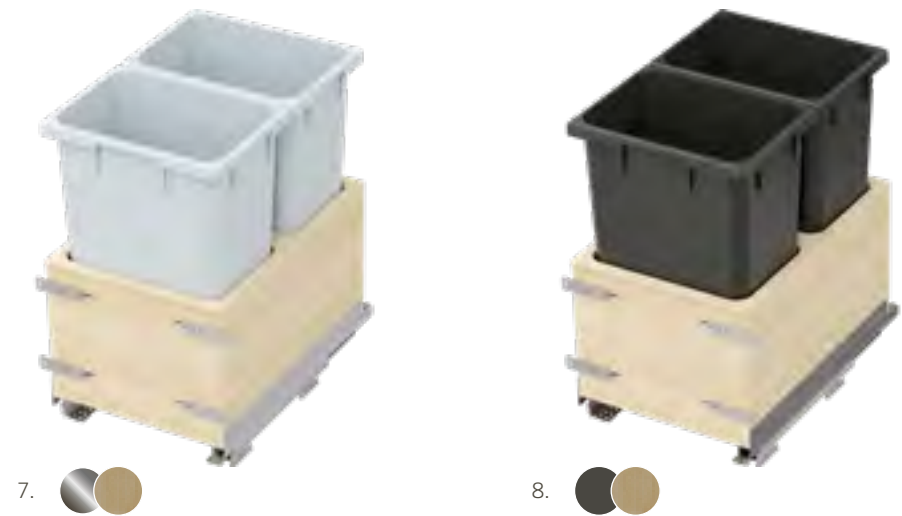
Item #	Cabinet width	FF cabinet opening	FL cabinet opening	Installation depth	Installation height	Capacity	Finish / Fitting / Bins
*	15"	min. 12"	min. 13"	22-1/2"	24"	1 bin 50qt and 1 box 1.5qt	5. platinum / wood / gray
*	15"	min. 12"	min. 13"	22-1/2"	24"	1 bin 50qt and 1 box 1.5qt	6. lava / wood / lava



DOUBLE BIN 35qt

Item #	Cabinet width	FF cabinet opening	FL cabinet opening	Installation depth	Installation height	Capacity	Finish / Fitting / Bins
*	18"	min. 15"	min. 16"	22-1/2"	20-1/2"	2 bins 35qt	3. platinum / wood / gray
*	18"	min. 15"	min. 16"	22-1/2"	20-1/2"	2 bins 35qt	4. lava / wood / lava

* Item number follows



DOUBLE BIN 50qt

Item #	Cabinet width	FF cabinet opening	FL cabinet opening	Installation depth	Installation height	Capacity	Finish / Fitting / Bins
*	18"	min. 15"	min. 16"	22-1/2"	24"	2 bins 50qt	7. platinum / wood / gray
*	18"	min. 15"	min. 16"	22-1/2"	24"	2 bins 50qt	8. lava / wood / lava

* Item number follows

VS
COR



VS COR® — CORNER CABINETS

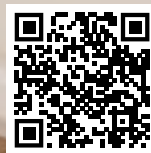
A corner cabinet is not simply a cabinet placed in a corner. With this conceptual approach, we have developed cabinet solutions that not only optimally utilize angled spaces, but instead put

the corner right in the centre of the kitchen experience. As a result, we open up unseen perspectives in the kitchen and allow people to experience space in a new way.

THE MAXIMUM IN INNOVATION.



FOR
FACE FRAME &
FRAMELESS
KITCHEN



Watch it!

VS CORNERSTONE® Maxx

BLIND CORNER WITH INDEPENDENT TRAYS

FEATURES



PAM:
Power-Assisted Movement



Independent movement of trays



Simple height adjustment,
even when installed



Unhanded installation

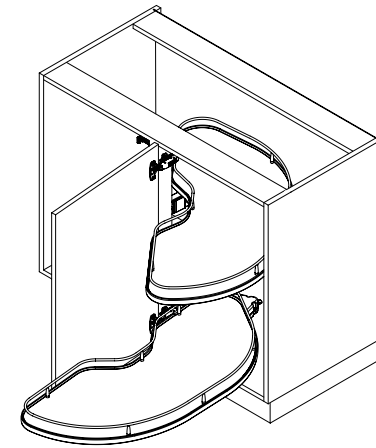


Three simple installation steps



Fewer parts – less warehousing

DETAILS



- **Cabinet widths (CAB):** 36" and 39"
- **Cabinet opening (MCO):**
 - FF 15", 18" and 21"
 - FL 16-11/16", 18-11/16" and 22-5/8" 1-1/2"
- **FF width:**
- **Installation height:**
 - 2 trays 25-1/5" to 33-1/2"
 - 4 trays 53" to 63"
- **Installation depth:** min. 19-1/2"
- **Load capacity:** max. 55lbs per tray
- **Storage versions:** Scalea and Planero®

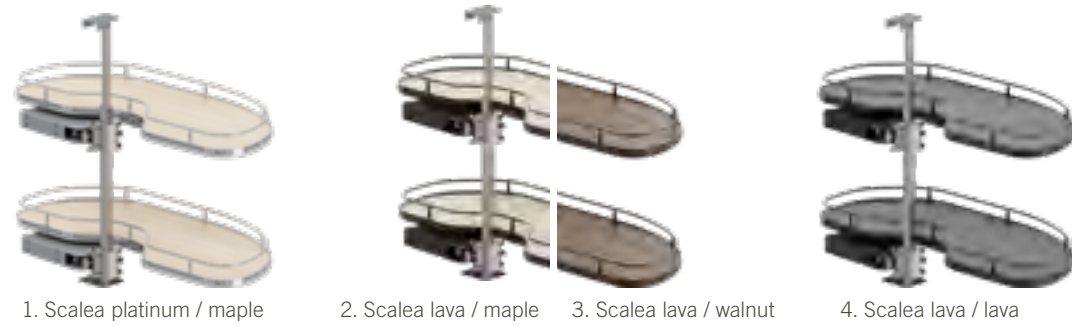
HARDWARE UNIT
ONE FOR ALL
TRAYS
HANDED

- **Finish:**
 - platinum
 - maple
 - lava
 - maple
 - lava
 - walnut

CABINET DIMENSIONS

Tray size	FF		FL		Installation depth (D)	Installation height (2 trays)	Installation height (4 trays)
	Cabinetwidths (CAB)	FF cabinet opening (MCO)	FL cabinet opening (MCO)	FL cabinet opening (MCO)			
15"	36"	15"	16-11/16"	19-1/2"	min 25-13/16"	min 53"	
18"	39"	18"	18-11/16"	19-1/2"	min 25-13/16"	min 53"	
21"	39"	21"	22-5/8"	19-1/2"	min 25-13/16"	min 53"	

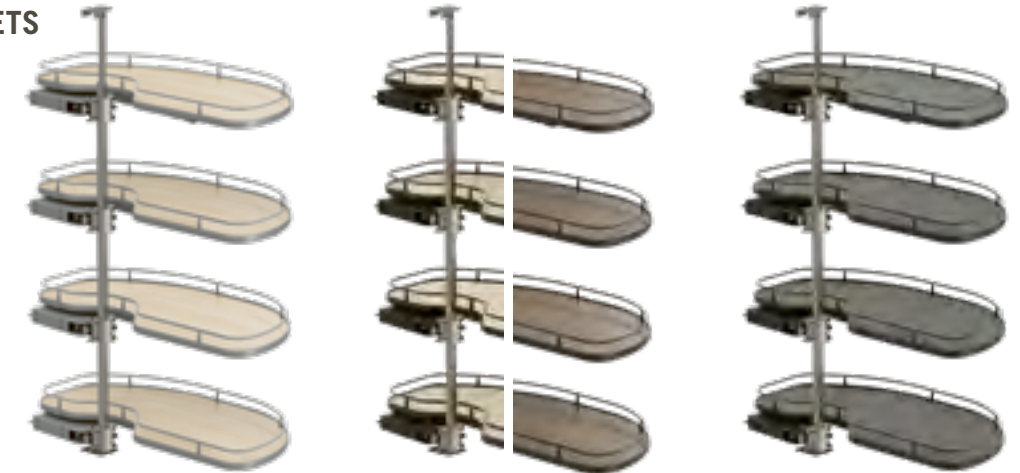
TWO TRAY VARIATIONS SETS



SCALEA

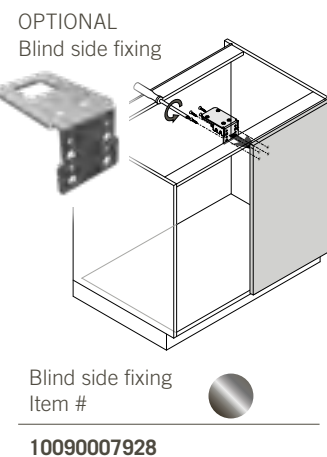
1. platinum / maple Fitting: silver	2. lava / maple Fitting: lava	3. lava / walnut Fitting: lava	4. lava Fitting: lava	Tray size	Cabinet widths	FF cabinet opening	FL cabinet opening	Installation side
90092000047	90092000019	90092000021	90092000017	15"	36"	15"	16-11/16"	Left
90092000048	90092000020	90092000022	90092000018	15"	36"	15"	16-11/16"	Right
90092000049	90092000029	90092000031	90092000027	18"	39"	18"	18-11/16"	Left
90092000050	90092000030	90092000032	90092000028	18"	39"	18"	18-11/16"	Right
90092000051	90092000039	90092000041	90092000037	21"	39"	21"	22-5/8"	Left
90092000052	90092000040	90092000042	90092000038	21"	39"	21"	22-5/8"	Right

FOUR TRAY VARIATIONS SETS



SCALEA

1. platinum / maple Fitting: silver	2. lava / maple Fitting: lava	3. lava / walnut Fitting: lava	4. lava Fitting: lava	Tray size	Cabinet widths	FF cabinet opening	FL cabinet opening	Installation side
90092000439	90092000411	90092000413	90092000409	15"	36"	15"	16-11/16"	Left
90092000440	90092000412	90092000414	90092000410	15"	36"	15"	16-11/16"	Right
90092000441	90092000421	90092000423	90092000419	18"	39"	18"	18-11/16"	Left
90092000442	90092000422	90092000424	90092000420	18"	39"	18"	18-11/16"	Right
90092000443	90092000431	90092000433	90092000429	21"	39"	21"	22-5/8"	Left
90092000444	90092000432	90092000434	90092000430	21"	39"	21"	22-5/8"	Right



PLANERO®

5. lava / walnut Fitting: lava	6. lava / lava Fitting: lava	Tray size	Cabinet widths	FF cabinet opening	FL cabinet opening	Installation side
90092000025	90092000023	15"	36"	15"	16-11/16"	Left
90092000026	90092000024	15"	36"	15"	16-11/16"	Right
90092000035	90092000033	18"	39"	18"	18-11/16"	Left
90092000036	90092000034	18"	39"	18"	18-11/16"	Right
90092000045	90092000043	21"	39"	21"	22-5/8"	Left
90092000046	90092000044	21"	39"	21"	22-5/8"	Right

PLANERO®

5. lava / walnut Fitting: lava	6. lava / lava Fitting: lava	Tray size	Cabinet widths	FF cabinet opening	FL cabinet opening	Installation side
90092000417	90092000415	15"	36"	15"	16-11/16"	Left
90092000418	90092000416	15"	36"	15"	16-11/16"	Right
90092000427	90092000425	18"	39"	18"	18-11/16"	Left
90092000428	90092000426	18"	39"	18"	18-11/16"	Right
90092000437	90092000435	21"	39"	21"	22-5/8"	Left
90092000438	90092000436	21"	39"	21"	22-5/8"	Right

THE CORNER IN THE CENTRE.

FOR FACE FRAME & FRAMELESS KITCHEN

VS CORNERSTONE® Swing BLIND CORNER WITH DOOR-MOUNTED LOWER TRAY



Watch it!

FEATURES



Independent movement of trays



L-Movement



Door-mounted lower tray



Optional soft close



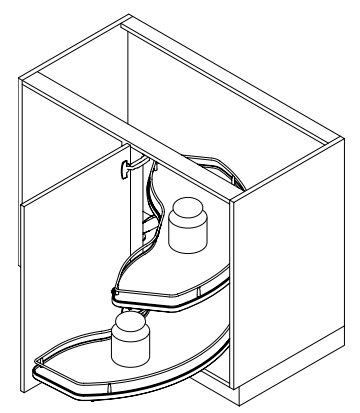
Unhanded installation



Easy assembly

VS COR® – BLIND CORNER

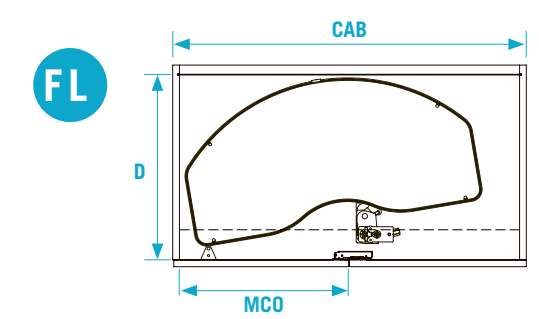
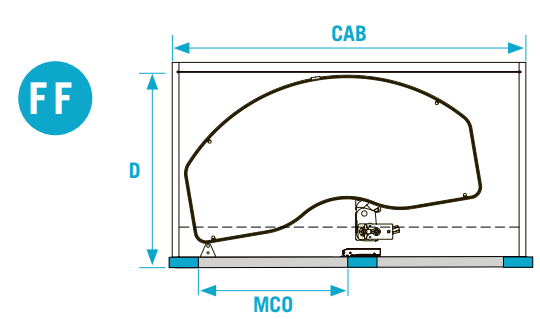
DETAILS



- **Cabinet widths (CAB):** 36" and 39"
- **Cabinet opening (MCO):**
 - FF 18", 21" and 24"
 - FL 18", 21" and 24"
- **FF width:** 1-1/2"
- **Installation height:**
 - Size 1: 24"-25-5/8"
 - Size 2: 25-5/8"-27-1/4"
 - Size 3: 27-1/4"-28-11/16"
 - Size 4: 28-11/16"-305/16"
- **Installation depth:** min. 19-5/16"
- **Load capacity:** max. 40lbs per tray
- **Storage version:** Scalea
- **Finish:**
 - Platinum
 - Maple
 - Lava
 - Maple
 - Lava
 - Maple

SAME PRODUCT FOR LEFT & RIGHT INSTALLATION

CABINET DIMENSIONS



Tray size	Cabinet widths (CAB)	Cabinet opening (MCO)	Installation depth (D)	Installation height (Size 1)	Installation height (Size 2)	Installation height (Size 3)	Installation height (Size 4)
18"	36"	18"	19-1/2"	min. 24"	min 25-5/8"	min 27-3/16"	min 28-11/16"
21"	39"	21"	19-1/2"	min. 24"	min 25-5/8"	min 27-3/16"	min 28-11/16"
24"	39"	24"	19-1/2"	min. 24"	min 25-5/8"	min 27-3/16"	min 28-11/16"

TWO TRAY SETS



1. Scalea platinum / maple 2. Scalea lava / maple 3. Scalea lava / walnut 4. Scalea lava / lava

SCALEA SIZE 1 Installation Height 24"-25-5/8"

1. platinum / maple Fitting: silver	2. lava / maple Fitting: lava	3. lava / walnut Fitting: lava	4. lava / lava Fitting: lava	Tray size	Cabinet widths	Cabinet opening
90092000062	90092000056	90092000059	90092000053	18"	36"	18"
90092000063	90092000057	90092000060	90092000054	21"	39"	21"
90092000064	90092000058	90092000061	90092000055	24"	39"	24"

SCALEA SIZE 2 Installation Height 25-5/8"-27-1/4"

1. platinum / maple Fitting: silver	2. lava / maple Fitting: lava	3. lava / walnut Fitting: lava	4. lava / lava Fitting: lava	Tray size	Cabinet widths	Cabinet opening
90092000074	90092000068	90092000071	90092000065	18"	36"	18"
90092000075	90092000069	90092000072	90092000066	21"	39"	21"
90092000076	90092000070	90092000073	90092000067	24"	39"	24"

SCALEA SIZE 3 Installation Height 27-1/4"-28-11/16"

1. platinum / maple Fitting: silver	2. lava / maple Fitting: lava	3. lava / walnut Fitting: lava	4. lava / lava Fitting: lava	Tray size	Cabinet widths	Cabinet opening
90092000086	90092000080	90092000083	90092000077	18"	36"	18"
90092000087	90092000081	90092000084	90092000078	21"	39"	21"
90092000088	90092000082	90092000085	90092000079	24"	39"	24"

SCALEA SIZE 4 Installation Height 28-11/16"-30-5/16"

1. platinum / maple Fitting: silver	2. lava / maple Fitting: lava	3. lava / walnut Fitting: lava	4. lava / lava Fitting: lava	Tray size	Cabinet widths	Cabinet opening
90092000098	90092000092	90092000095	90092000089	18"	36"	18"
90092000099	90092000093	90092000096	90092000090	21"	39"	21"
90092000100	90092000094	90092000097	90092000091	24"	39"	24"

COMPARISON

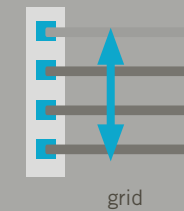
VS CORNERSTONE® MAXX



- 1. No blocking of neighboring cabinet
- 2. Trays can be moved independently

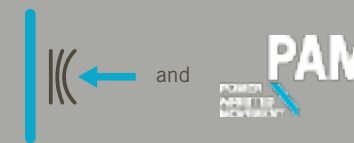
unhanded hardware
handed trays

HANDED /
UNHANDED



grid

HEIGHT
ADJUSTABILITY
OF TRAYS



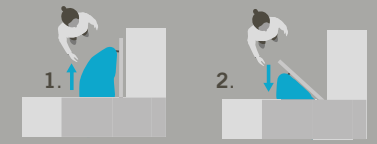
SOFT-CLOSE

2

AMOUNT OF
BUILT-IN
PARTS
FIXED TO CABINET

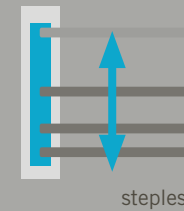
VS

VS CORNERSTONE® SWING

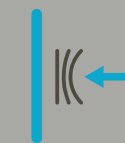


- 1./2. Lower tray automatically slides in/out when cabinet is closed/opened

unhanded hardware
unhanded trays



stepless



3



ACCESS TO EVERY CORNER.

FOR FACE FRAME & FRAMELESS KITCHEN

VS COR® Flex

BLIND CORNER PULL-OUT WITH 100% ACCESS

Watch it!



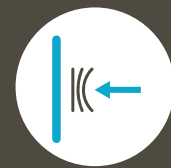
FEATURES



Maximum access



Lock-system



Integrated soft and self-closing



Unhanded installation

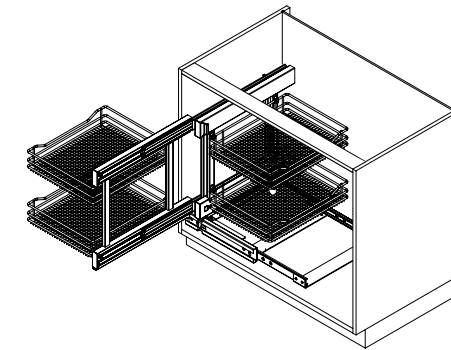


Easy bottom mount installation



Installation template for easy and fast installation

DETAILS



- Cabinet widths (CAB):
- Cabinet opening (MCO):
- Installation height:
- Installation depth:
- Load capacity:
- Storage versions:

36" and 39"

15" and 17-1/2"

15" and 17-1/2"

min. 22-3/5"

23"

max. 70lbs per tray

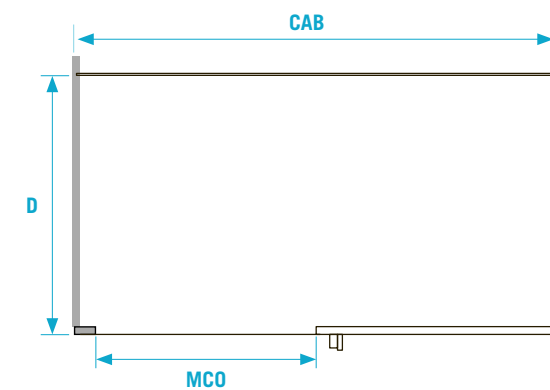
Saphir, Scalea and Planero®

- Finish:

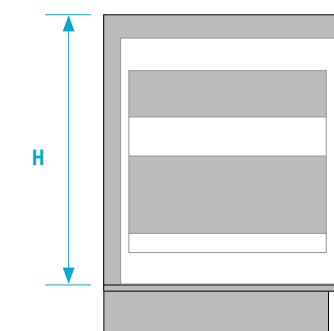
platinum		lava	
maple		maple	
lava		lava	
walnut			

SAME PRODUCT FOR LEFT & RIGHT INSTALLATION

CABINET DIMENSIONS



Top View



Side View

Cabinet widths (CAB)	Cabinet opening (MCO)	Installation depth (D)	Installation height (H)
36"	15"	23"	min. 22-5/8"
39"	17-1/2"	23"	min. 22-5/8"

FOUR TRAY SETS





1. Saphir platinum



2. Saphir lava

SAPHIR

 1. platinum Fitting: silver		 2. lava Fitting: lava		Cabinet width	Cabinet opening	Basket width (front)	Basket width (back)	Basket Set
90092000013	90092000001	36"	15"	11"	11"	4		
90092000015	90092000007	39"	17-1/2"	13-3/4"	12-13/16"	4		

FOUR TRAY SETS





7. Planero® lava / walnut



8. Planero® lava / lava

PLANERO®

 7. lava / walnut Fitting: lava		 8. lava / lava Fitting: lava		Cabinet width	Cabinet opening	Tray width (front)	Tray width (back)	Tray Set
90092000005	90092000006	36"	15"	11"	11"	4		
90092000011	90092000012	39"	17-1/2"	13-3/4"	12-13/16"	4		







3. Scalea platinum / maple

4. Scalea lava / maple

5. Scalea lava / walnut

6. Scalea lava / lava

SCALEA

 3. platinum / maple Fitting: silver		 4. lava / maple Fitting: lava		 5. lava / walnut Fitting: lava		 6. lava / lava Fitting: lava		Cabinet width	Cabinet opening	Basket width (front)	Basket width (back)	Basket Set
90092000014	90092000003	90092000004	90092000002	36"	15"	11"	11"	4				
90092000016	90092000009	90092000010	90092000008	39"	17-1/2"	13-3/4"	12-13/16"	4				



EVERYTHING REVOLVES AROUND YOU.

FOR
FACE FRAME &
FRAMELESS
KITCHEN

VS COR® Wheel Pro FLOATING LAZY SUSAN

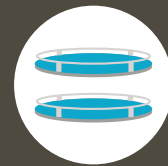
Watch it!



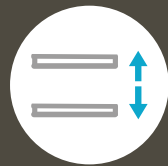
FEATURES



Optimal access



Floating design
no center pole



Simple height adjustment,
even when installed



High load capacity

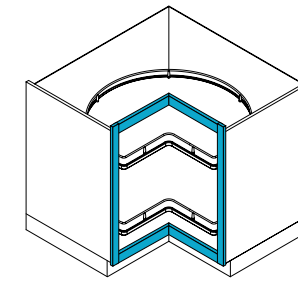


Retrofit ready
can be installed in existing cabinetry
without removing the countertop.

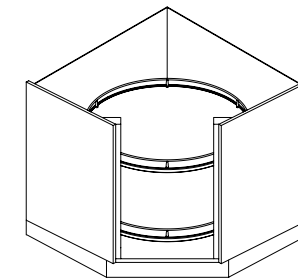


Tool-free connection
of trays onto the support arms

DETAILS



KIDNEY



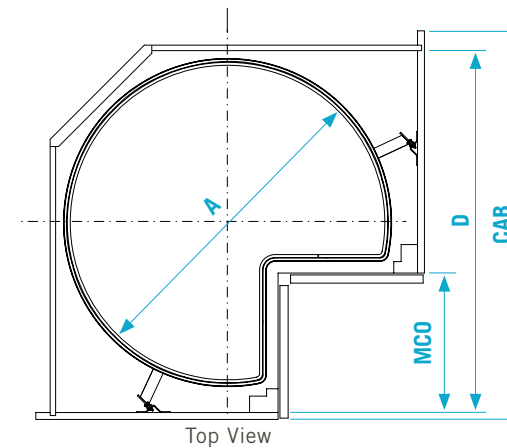
FULLROUND

A multiple stack of VS COR® Wheel Pro, which can be used as a pantry.

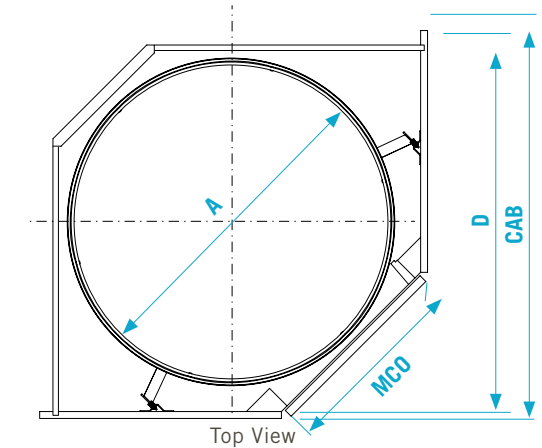
- **Cabinet widths (CAB):** 32" x 32"
36 x 36"
- **Cabinet opening (MCO):**
Kidney 9-1/4" or 12.68"
Fullround 15-1/2" or 19.06"
- **Installation height:** min. 25-3/4"
- **Installation depth:** min. 29-3/8" or 32.16"
- **Load capacity:** 60lbs per shelf
- **Unit versions:** Kidney and Fullround
- **Storage versions:** Scalea and Planero®

- **Finish:**
 - platinum
 - maple
 - lava
 - walnut
 - lava
 - maple
 - lava

CABINET DIMENSIONS



Top View

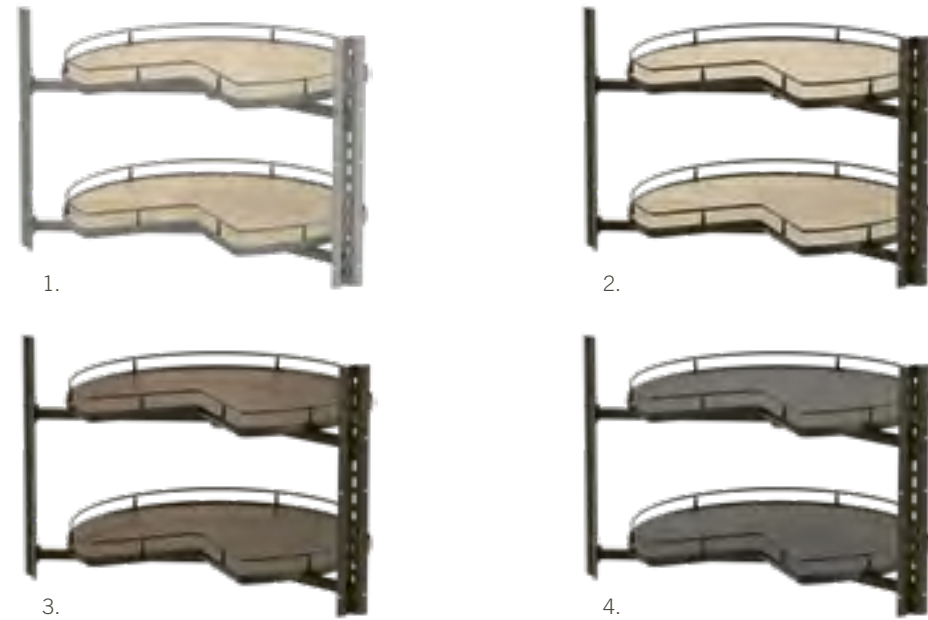


Top View





Cabinet widths (CAB)	Kidney cabinet opening (MCO)	Fullround cabinet opening (MCO)	Installation depth (D)	Installation height	Diameter (A)
32"	9-1/4"	15-1/2"	29-3/8"	25-3/4"	26-3/4"
36"	12-11/16"	19"	32-1/16"	25-3/4"	28-3/8"

KIDNEY

The VS COR® Wheel Pro Kidney comes with a set of 2 shelves.





SCALEA

 4. platinum / maple Fitting: silver	 2. lava / maple Fitting: lava	 3. lava / walnut Fitting: lava	 4. lava / lava Fitting: lava	Cabinet widths	Kidney cabinet opening
10090009569	10090008946	10090008950	10090008945	32" x 32"	9-1/4"
10090009570	10090008947	10090008951	10090009092	36" x 36"	12-11/16"

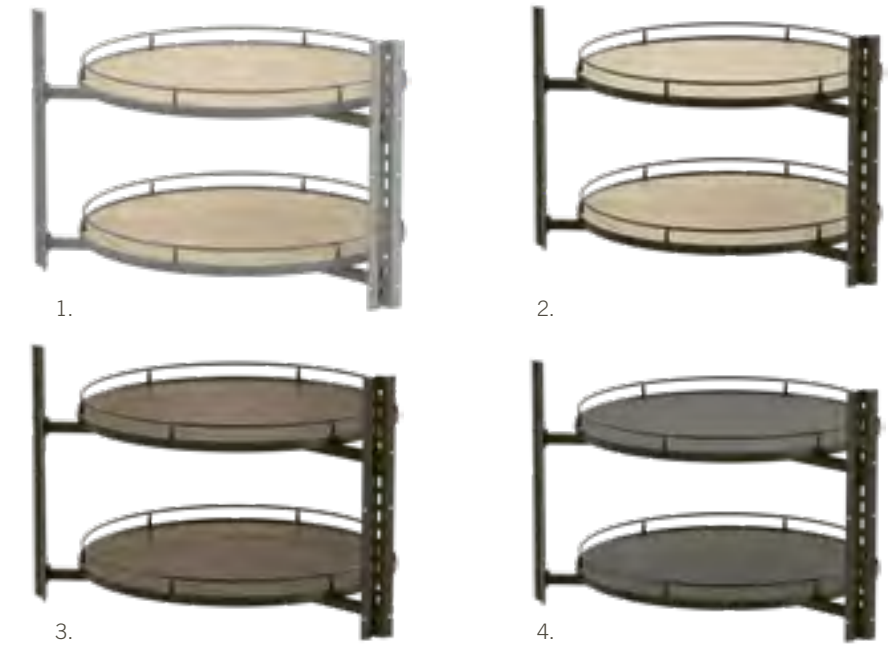


PLANERO®





 1. lava / walnut Fitting: lava	 2. lava / lava Fitting: lava	Cabinet widths	Kidney cabinet opening
10090008954	10090009095	32" x 32"	9-1/4"
10090008955	10090009096	36" x 36"	12-11/16"

FULLROUND

The VS COR® Wheel Pro Fullround comes with a set of 2 shelves.





SCALEA

 1. platinum / maple Fitting: silver	 2. lava / maple Fitting: lava	 3. lava / walnut Fitting: lava	 4. lava / lava Fitting: lava	Cabinet widths	Fullround cabinet opening
10090009571	10090008948	10090008952	10090009093	32" x 32"	15-1/2"
10090009572	10090008949	10090008953	10090009094	36" x 36"	19"



PLANERO®

 1. lava / walnut Fitting: lava	 2. lava / lava Fitting: lava	Cabinet widths	Fullround cabinet opening
10090008956	10090009097	32" x 32"	15-1/2"
10090008957	10090009098	36" x 36"	19"

YOUR PERFECT TURN

TOWARDS COMFORT.

FOR
FACE FRAME &
FRAMELESS
KITCHEN

VS COR® Susan
LAZY SUSAN

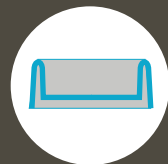
FEATURES



Ribbed shelf structure gives objects better grip and reduces noise



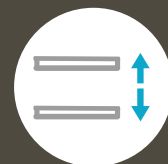
Assymmetric barrel guide guarantees balanced rotary motion



Double layer edge of shelves increases stability



High load capacity

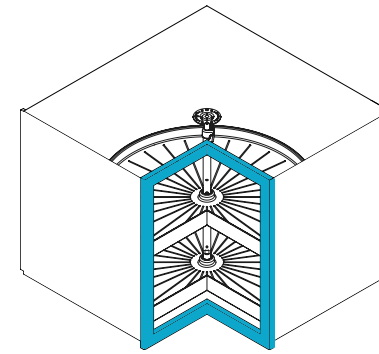


Simple height adjustment, even when installed



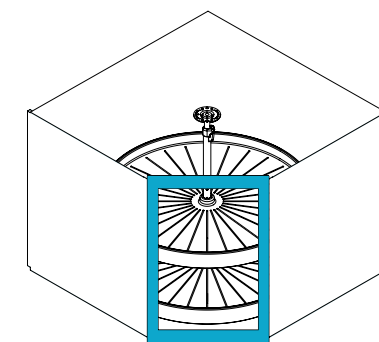
Retrofit ready can be installed in existing cabinetry without removing the countertop

DETAILS – KIDNEY



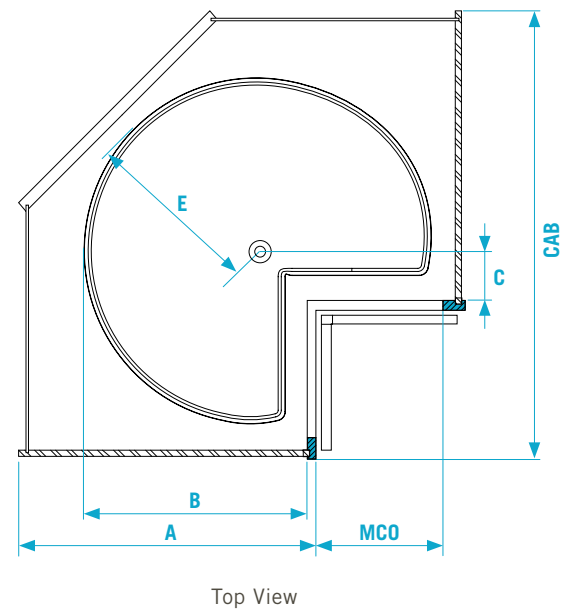
- **Cabinet widths (CAB):** 24" x 24"
27" x 27"
39" x 39"
42" x 42"
- **Cabinet opening (MCO):** 7-1/4", 10-1/4", 13-1/4" and 16-1/4"
- **Installation height:** min. 28"
- **Telescope post height:** 26" to 32"
- **Shelf size:** 18", 24", 28" and 32"
- **Load capacity:** 33lbs-66lbs per shelf
- **Unit versions:** **Kidney** polymer shelves
- **Finish:** white

DETAILS – FULLROUND

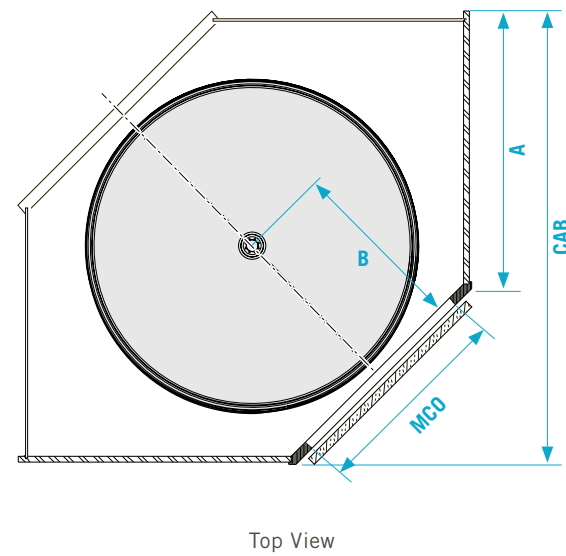


- **Cabinet widths (CAB):** 24" x 24"
33" x 33"
36" x 36"
42" x 42"
- **Cabinet opening (MCO):** 11-1/2", 15-1/2", 19-1/2" and 24"
- **Installation height:** min. 28"
- **Telescope post height:** 26" to 32"
- **Shelf size:** 18", 24", 28" and 32"
- **Load capacity:** 33lbs-66lbs per Shelf
- **Unit versions:** **Fullround** polymer shelves
- **Finish:** white

CABINET DIMENSIONS – KIDNEY



CABINET DIMENSIONS – FULLROUND



KIDNEY

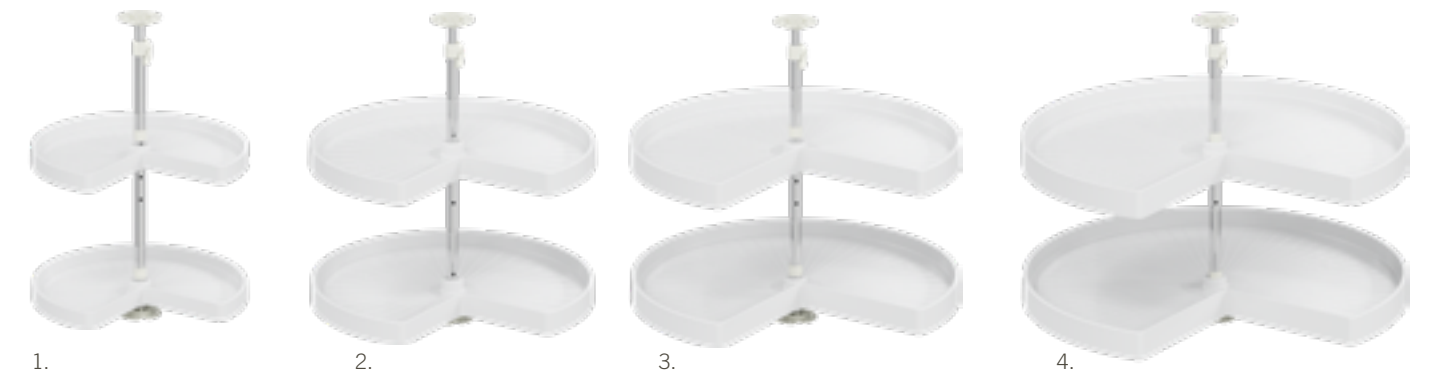
Shelf size	Cabinet widths (CAB)	Cabinet opening (MCO)	A	B	C	E
18"	24"	10-1/4"	12"	10-1/16"	1"	9-1/16"
24" Large cutout	27"	10-1/4"	15"	13-5/16"	1-1/2"	11-13/16"
24" Small cutout	33"	7-1/4"	24"	15-13/16"	4"	11-13/16"
28"	36"	10-1/4"	24"	17-3/8"	3-9/16"	13-3/4"
28"	39"	13-1/4"	24"	17-3/8"	3-9/16"	13-3/4"
32"	42"	16-1/4"	24"	20-1/8"	4"	16-1/8"

FULLROUND

Shelf size	Cabinet widths (CAB)	Cabinet opening (MCO)	A	B
18"	24"	15-1/2"	12"	9-5/8"
18"	27"	15-1/2"	15"	9-5/8"
24"	33"	11-1/2"	24"	12-5/8"
28"	36"	15-1/2"	24"	14-7/8"
28"	39"	19-1/2"	24"	14-7/8"
32"	42"	24"	24"	16-11/16"

KIDNEY

The VS COR® Susan Kidney includes a set of 2 shelves.



White Item #	Shelf size	Cabinet widths	Cabinet opening	Load capacity	Finish fitting / shelves	Amount of shelves
90098000020	18"	24" x 24"	7-1/4"	33 lbs	1. platinum / white	2
90098000017	24"	27" x 27"	7-1/4"	44 lbs	2. platinum / white	2
90098000022	28"	39" x 39"	13-1/4"	55 lbs	3. platinum / white	2
90098000024	32"	42" x 42"	16-1/4"	66 lbs	4. platinum / white	2

FULLROUND

The VS COR® Susan Fullround includes a set of 2 shelves.




White Item #	Shelf size	Cabinet widths	Cabinet opening	Load capacity	Finish fitting / shelves	Amount of shelves
90098000009	18"	24" x 24"	9-3/4"	33 lbs	1. platinum / white	2
90098000011	24"	33" x 33"	12-1/4"	44 lbs	2. platinum / white	2
90098000013	28"	36" x 36"	14-3/4"	55 lbs	3. platinum / white	2
90098000015	32"	42" x 42"	16-3/4"	66 lbs	4. platinum / white	2

BULK PACKAGES

KIDNEY

The VS COR® Susan Kidney contains the number of shelves specified below, depending on the size.



White Item # 	Shelf size	Cabinet widths	Cabinet opening	Load capacity	Amount of shelves
*	18"	24" x 24"	7-1/4"	33 lbs	
*	24"	27" x 27"	7-1/4"	44 lbs	
*	28"	39" x 39"	13-1/4"	55 lbs	
*	32"	42" x 42"	16-1/4"	66 lbs	


* Item number follows



FULLROUND

The VS COR® Susan Fullround contains the number of shelves specified below, depending on the size.



White Item # 	Shelf size	Cabinet widths	Cabinet opening	Load capacity	Amount of shelves
*	18"	24" x 24"	9-3/4"	33 lbs	
*	24"	33" x 33"	12-1/4"	44 lbs	
*	28"	36" x 36"	14-3/4"	55 lbs	
*	32"	42" x 42"	16-3/4"	66 lbs	

* Item number follows



WOOD IN ITS MOST
PERFECT FORM.

COMING
SOON

VS COR® Susan Kidney/Fullround Ligano

WOODEN LAZY SUSAN

FEATURES



Uniform veneer appearance



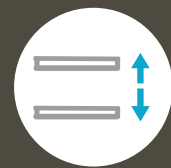
Optimal access



Tool-free connection



High load capacity



Simple height adjustment,
even when installed



Quality made in Germany
and the US

DETAILS

- **Cabinet widths (CAB):** 33" x 33"
36" x 36"
42" x 42"
- **Installation height:** min. 28"
- **Telescope post height:** 26" to 32"
- **Shelf size:** 24", 28" and 32"
- **Finish:** wood 

KIDNEY LIGANO



The VS COR® Susan Kidney includes a set of 2 shelves



FULLROUND LIGANO

The VS COR® Susan Fullround includes a set of 2 shelves



Platinum / wood Item #	  Shelf size	Cabinet widths	Cabinet opening	Load capacity	Finish Fitting / Trays	Amount of shelves
*	24"	33" x 33"	12-1/4"	44 lbs	1. platinum / wood	2
*	28"	36" x 36"	14-3/4"	55 lbs	2. platinum / wood	2
*	32"	42" x 42"	16-3/4"	66 lbs	3. platinum / wood	2

* Item number follows


SMART REVOLUTION AROUND THE CORNER.

FOR
FACE FRAME
KITCHEN

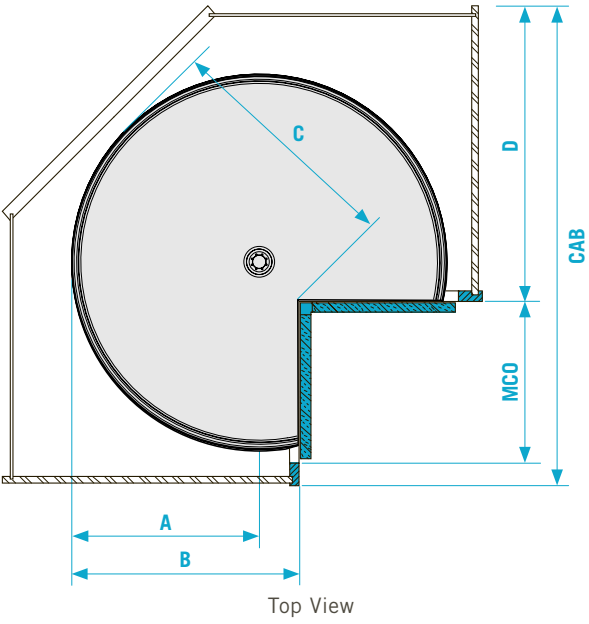
VS COR® SUSAN PIE CUT PIE CUT DOOR MOUNTED LAZY SUSAN

DETAILS

- **Cabinet widths (CAB):** 33" x 33"
36" x 36"
- **FF Cabinet opening (MCO):** 7-1/4", 10-1/4"
- **Telescope post height:** 26" to 32"
Shelf size: 18", 24" and 28"
- **Load capacity:** 39lbs per shelf
- **Storage version:** Pie Cut polymer shelves

- **Finish:** white 

CABINET DIMENSIONS



Shelf size	Cabinet widths (CAB)	Cabinet opening (MCO)	Cabinet depth (D)	Installation height	A	B	C
24"	36"	10-1/4"	24"	min. 26"	11-13/16"	13-7/16"	14-1/8"
28"	36"	10-1/4"	24"	min. 26"	13-13/16"	17-3/8"	18-7/8"

* 18" item is available upon request.

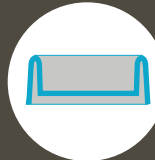
FEATURES



Ribbed shelf structure gives objects better grip and reduces noise



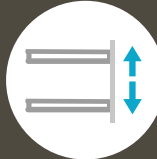
Assymmetric barrel guide guarantees balanced rotary motion



Double layer edge of shelves increases stability



High load capacity



The alignment of the doors can be adjusted manually using the integrated height adjustment in the pole




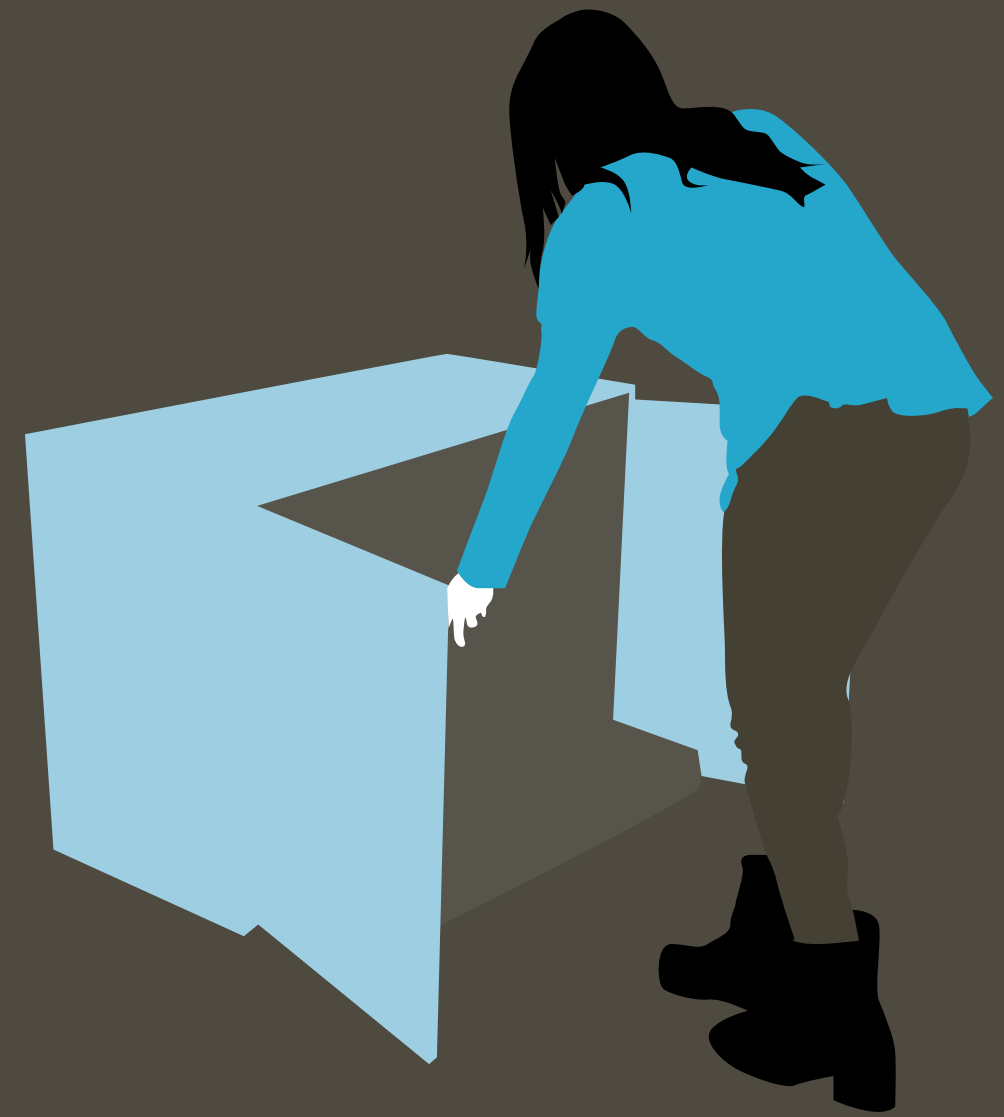
Retrofit ready can be installed in existing cabinetry without removing the countertop

VS COR® Susan Pie Cut

The VS COR® Susan Pie Cut comes with a set of 2 shelves.



White 	Shelf size	Cabinet widths	Cabinet opening	Load capacity
90098000026	24"	36" x 36"	10-1/4"	44 lbs per shelf
90098000028	28"	36" x 36"	10-1/4"	55 lbs per shelf



VS SUB® – BASE CABINETS

The base cabinet is the foundation of every kitchen. What happens under the work top is as important as what happens on top. Whether food or cooking utensils, cutlery or dishes,

whether for a small student's flat or a trendy loft – our base cabinet solutions are intelligent, versatile and flexible in order to make everyday life easier.

VS
SUB

A NEW LOOK FOR THE BASE UNIT SOLUTION.

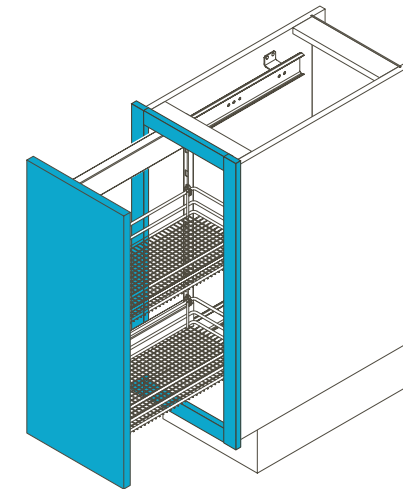
FOR FACE FRAME & FRAMELESS KITCHEN

VS SUB® Side SIDE MOUNTED BASE CABINET PULL-OUT



Watch it!

DETAILS

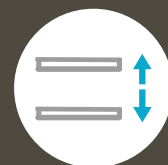


- Cabinet widths (CAB):**
 - FF 9" or 15"
 - FL min. 7-1/2" or 13-1/2"
 - Cabinet opening (MCO):**
 - FF 6" or 12"
 - FL 6" or 12"
 - FF width:** 1-1/2"
 - Installation depth:** 23"
 - Installation height:** min. 20-1/2", 25-1/2" or 30-1/2"
 - Capacity:** 45lbs
 - Storage versions:** Saphir, Scalea and Planero®
- Finish:**
 - platinum lava
 - platinum lava
 - maple maple
 - lava
 - walnut

FEATURES



Optimal use of space



Height-adjustable shelves



Tool-free connection



Two or three set shelf options

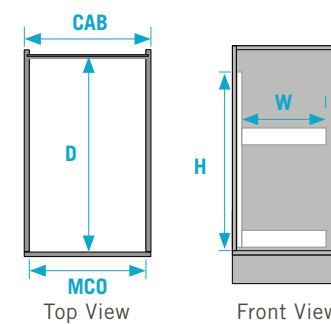
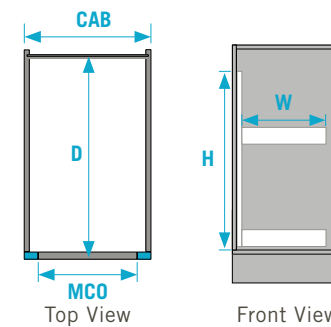


Unhandled installation



3D front Adjustment

CABINET DIMENSIONS



FF

Basket width* (W)	Cabinet widths (CAB)	FF cabinet opening (MCO)	Installation depth (D)	Installation height (H)
4-1/16"	min. 9"	6"	23"	20", 25" or 30-1/2"
10-1/16"	min. 15"	12"	23"	20", 25" or 30-1/2"

*The basket width does not include the frame.

FL

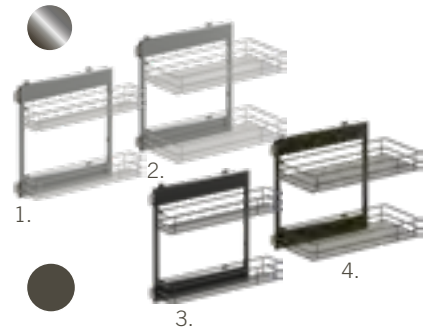
Basket width* (W)	Cabinet widths (CAB)	FL cabinet opening (MCO)	Installation depth (D)	Installation height (H)
4-1/16"	min. 7-1/2"	6"	23"	20", 25" or 30-1/2"
10-1/16"	min. 13-1/2"	12"	23"	20", 25" or 30-1/2"

*The basket width does not include the frame.

SAPHIR

Installation Height 1
min. 20-1/2" (2 baskets)

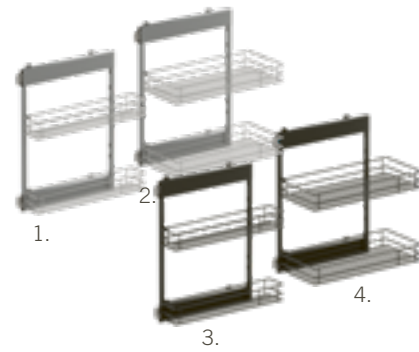
Cabinet opening	Cabinet opening
6"	12"



platinum
lava

Installation Height 2
min. 25-1/2" (2 or 3 baskets)

Cabinet opening	Cabinet opening
6"	12"

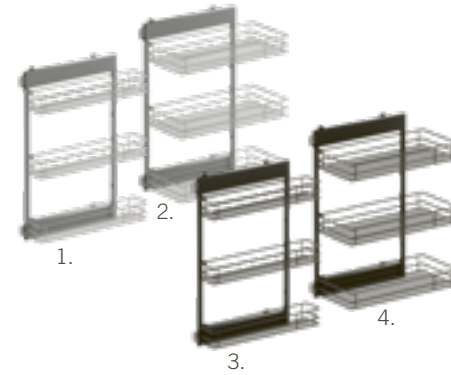


Installation Height 2
min. 25-1/2" (2 baskets)

Installation Height 2
min. 25-1/2" (3 baskets)

Installation Height 3
min. 30-1/2" (2 or 3 baskets)

Cabinet opening	Cabinet opening
6"	12"



Installation Height 3
min. 30-1/2" (2 baskets)

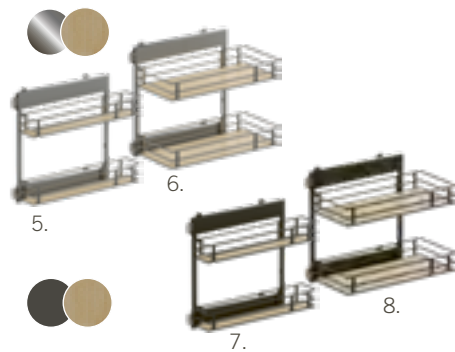
Installation Height 3
min. 30-1/2" (3 baskets)

1. Cabinet opening 6"	90092000189	90092000190	90092000192	90092000191	90092000193
2. Cabinet opening 12"	90092000199	90092000200	90092000202	90092000201	90092000203
3. Cabinet opening 6"	90092000129	90092000130	90092000132	90092000131	90092000133
4. Cabinet opening 12"	90092000159	90092000160	90092000162	90092000161	90092000163

SCALEA

Installation Height 1
min. 20-1/2" (2 baskets)

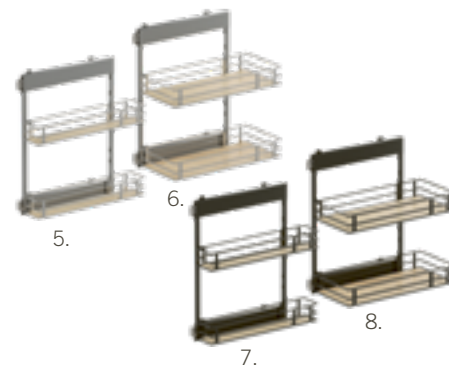
Cabinet opening	Cabinet opening
6"	12"



platinum / maple
lava / maple

Installation Height 2
min. 25-1/2" (2 baskets)

Cabinet opening	Cabinet opening
6"	12"

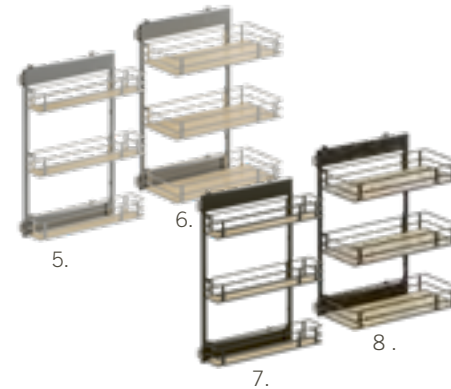


Installation Height 2
min. 25-1/2" (2 baskets)

Installation Height 2
min. 25-1/2" (3 baskets)

Installation Height 3
min. 30-1/2" (3 baskets)

Cabinet opening	Cabinet opening
6"	12"



Installation Height 3
min. 30-1/2" (2 baskets)

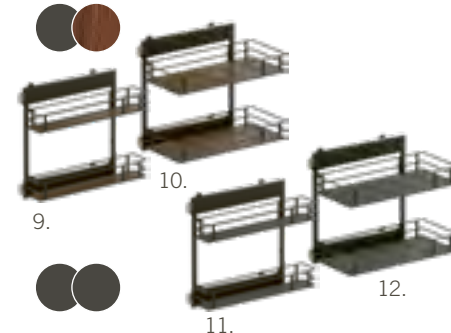
Installation Height 3
min. 30-1/2" (3 baskets)

5. Cabinet opening 6"	90092000194	90092000195	90092000197	90092000196	90092000198
6. Cabinet opening 12"	90092000204	90092000205	90092000207	90092000206	90092000208
7. Cabinet opening 6"	90092000139	90092000140	90092000142	90092000141	90092000143
8. Cabinet opening 12"	90092000169	90092000170	90092000172	90092000171	90092000173

SCALEA

Installation Height 1
min. 20-1/2" (2 baskets)

Cabinet opening	Cabinet opening
6"	12"

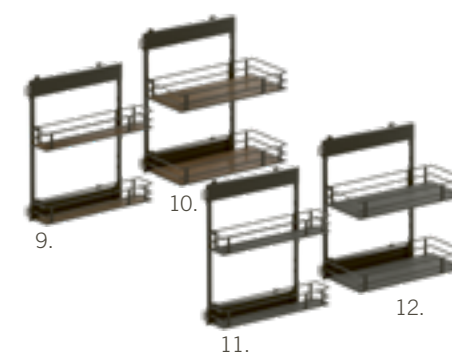


lava / walnut
lava / lava

Installation Height 1
min. 20-1/2" (2 baskets)

Installation Height 2
min. 25-1/2" (2 or 3 baskets)

Cabinet opening	Cabinet opening
6"	12"

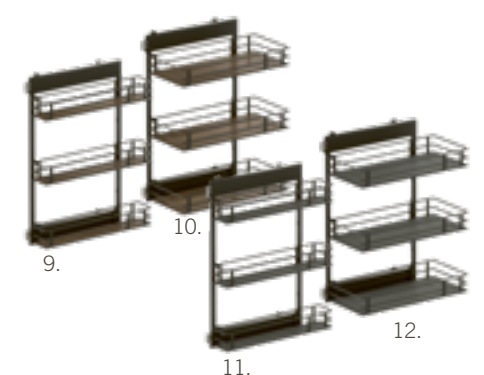


Installation Height 2
min. 25-1/2" (2 baskets)

Installation Height 2
min. 25-1/2" (3 baskets)

Installation Height 3
min. 30-1/2" (2 or 3 baskets)

Cabinet opening	Cabinet opening
6"	12"



Installation Height 3
min. 30-1/2" (2 baskets)

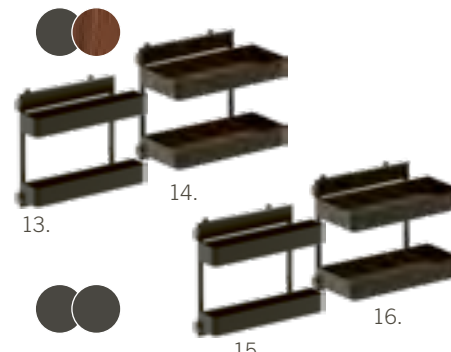
Installation Height 3
min. 30-1/2" (3 baskets)

9. Cabinet opening 6"	90092000144	90092000145	90092000147	90092000146	90092000148
10. Cabinet opening 12"	90092000174	90092000175	90092000177	90092000176	90092000178
11. Cabinet opening 6"	90092000134	90092000135	90092000137	90092000136	90092000138
12. Cabinet opening 12"	90092000164	90092000165	90092000167	90092000166	90092000168

PLANERO®

Installation Height 1
min. 20-1/2" (2 trays)

Cabinet opening	Cabinet opening
6"	12"

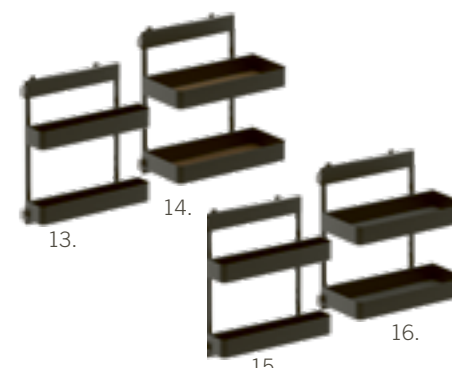


lava / walnut
lava / lava

Installation Height 1
min. 20-1/2" (2 trays)

Installation Height 2
min. 25-1/2" (2 trays)

Cabinet opening	Cabinet opening
6"	12"

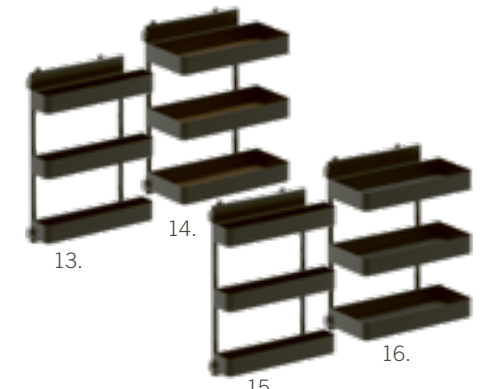


Installation Height 2
min. 25-1/2" (2 trays)

Installation Height 2
min. 25-1/2" (3 trays)

Installation Height 3
min. 30-1/2" (3 trays)

Cabinet opening	Cabinet opening
6"	12"



Installation Height 3
min. 30-1/2" (2 trays)

Installation Height 3
min. 30-1/2" (3 trays)

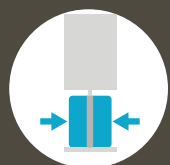
13. Cabinet opening 6"	90092000154	90092000155	90092000157	90092000156	90092000158
14. Cabinet opening 12"	90092000184	90092000185	90092000187	90092000186	90092000188
15. Cabinet opening 6"	90092000149	90092000150	90092000152	90092000151	90092000153
16. Cabinet opening 12"	90092000179	90092000180	90092000182	90092000181	90092000183

NEAT AND TIDY
FROM THE BOTTOM UP.

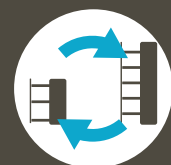
FOR
FACE FRAME &
FRAMELESS
KITCHEN

VS SUB® Pantry
BOTTOM MOUNTED BASE CABINET PULL-OUT

FEATURES



Convenient access
Brings all contents out of the cupboard
Everything can be accessed easily from both sides



Cross-Use
Shelves can be used interchangeably with the
VS SUB® Pantry or the VS TAL® Pantry



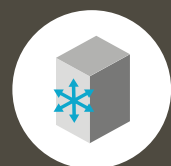
Easy Fit
Simple frame assembly
on the runners and to the front



Combinable
Compatible with the VS ADD® Box
and VS ADD® Separator

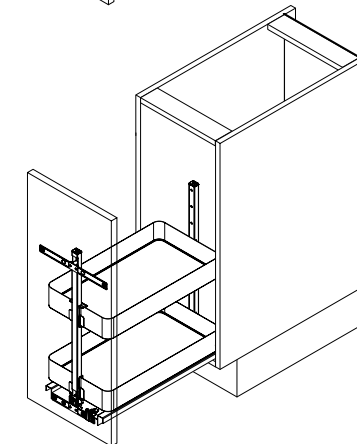
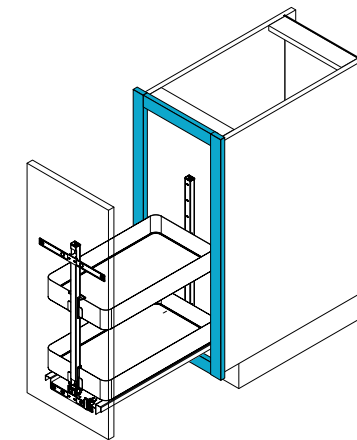


Unhanded Installation
No need to worry about right or left handed
applications, the VS SUB® Pantry
works both ways!



3D front Adjustment
Facilitates the convenient and
simple adjustment of the front

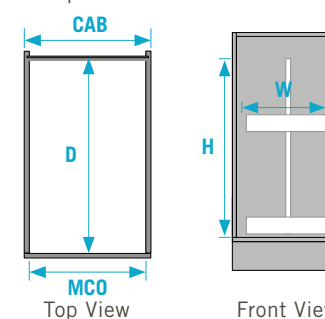
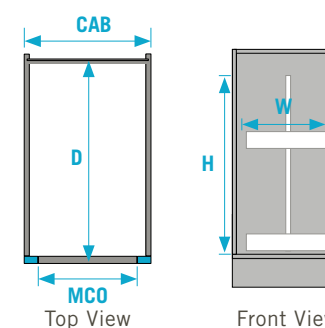
DETAILS



- **Cabinet widths (CAB):**
 - FF 12" or 15"
 - FL min. 10-1/2" or 13-1/2"
- **Cabinet opening (MCO):**
 - FF 9" or 12"
 - FL 9" or 12"
- **FF width:** 1-1/2"
- **Installation depth:** min. 22-1/2"
- **Installation height:** min. 26"
- **Capacity:** max. 48.5lbs
- **Storage versions:** Saphir, Scalea Essentio® and Planero®

- **Finish:**
 - platinum
 - lava
 - white

CABINET DIMENSIONS



FF

Basket width* (W)	Cabinet widths (CAB)	FF cabinet opening (MCO)	Installation depth (D)	Installation height (H)
8-1/5"	12"	9"	min. 22-1/2"	min. 26"
11-1/2"	15"	12"	min. 22-1/2"	min. 26"

*The basket width does not include the frame.

FL

Basket width* (W)	Cabinet widths (CAB)	FL cabinet opening (MCO)	Installation depth (D)	Installation height (H)
8-1/5"	min. 10-1/2"	9"	min. 22-1/2"	min. 26"
11-1/2"	min. 12-1/2"	12"	min. 22-1/2"	min. 26"

SPACE-SAVING VERSATILITY

With the VS Pantry® Flex elements, tall and base cabinets become true space savers. A number of components are available for this purpose.

The basic elements

The storage tray VS Pantry Flex Tray in two heights, H0 & H2, serves as a storage board with double-sided access and is designed to integrate the VS ADD® Boxen. The boxes are form-fitted and are completed by the back contour to form a unit. The magnetic separating element VS ADD® Separator can be used to add additional divisions in the depth. The material, proportions and finishes are perfectly coordinated.

The frame VS Pantry Flex Frame fulfils a wide variety of functions. Among other things, it serves as a lateral holder and tip protector above the trays, e.g. for baking trays, chopping boards, step ladders and more. In addition, the frame can be transformed into a flush-mounted tray and be further customised with the insertion of 19-mm-thick standard wood composites.

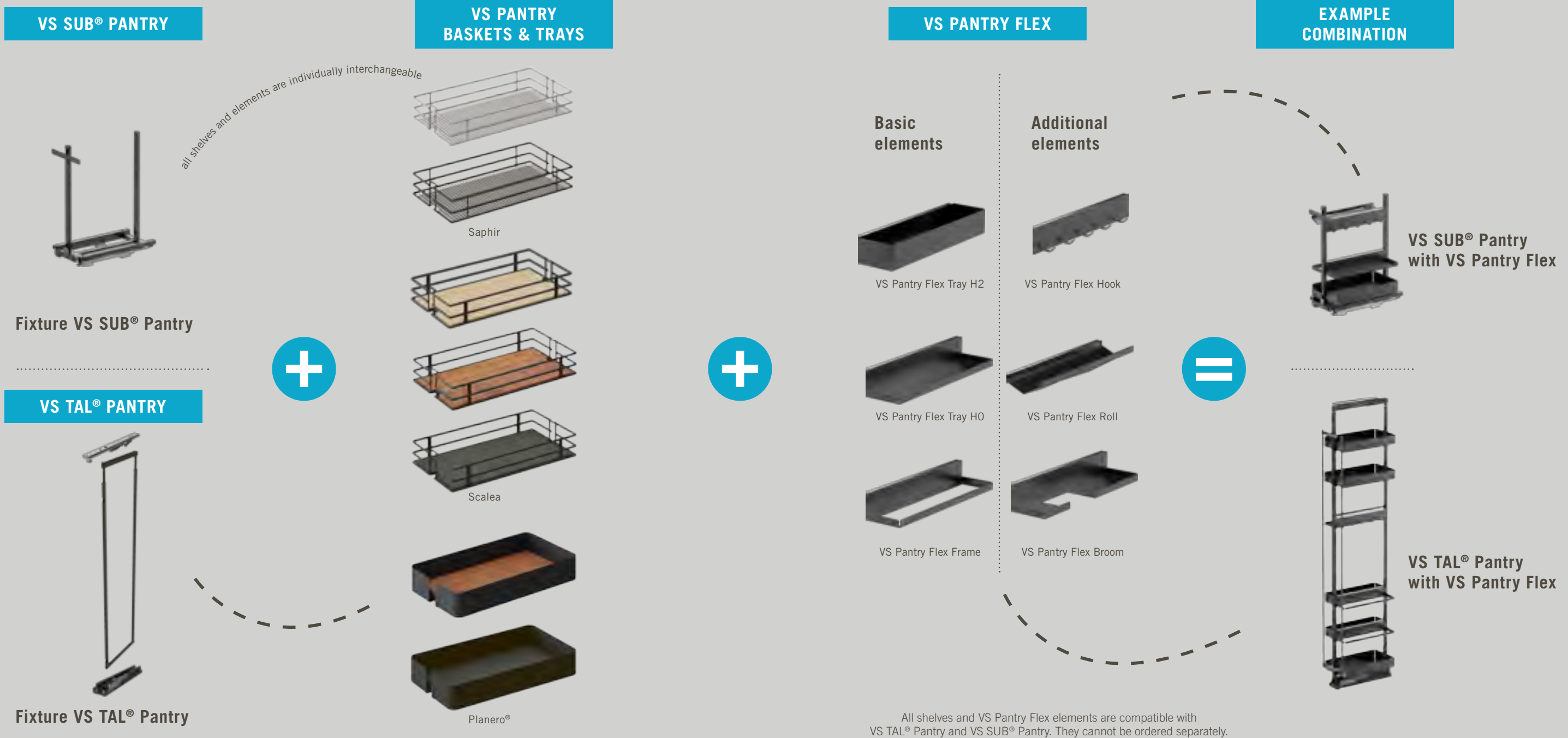
Additional Flex elements

The hook rail VS Pantry Flex Hook – cloths, towels, cooking utensils, or even a dustpan and brush can be hung conveniently from it.

towels can be separated straightforwardly without having to remove the roll.

The kitchen roll holder VS Pantry Flex Roll – kitchen rolls are optimally integrated with this. Thanks to the intelligent design, paper

The broom holder VS Pantry Flex Broom – It makes the broom simply disappear behind the cupboard door.



AN ASTONISHING AMOUNT
OF STORAGE SPACE.

VS Pantry Flex

FLEX TRAYS FOR THE TAL AND SUB PANTRIES

SETS
VS SUB® PANTRY



VS SUB® Pantry Flex Cook



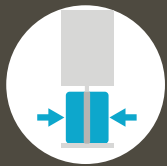
VS SUB® Pantry Flex Spice



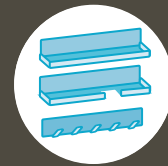
VS SUB® Pantry Flex Bake



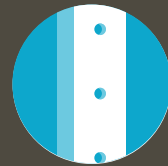
FEATURES



Front and back can be used
in different ways



Various trays for different applications



Hole pattern for simple adjustment
to various heights



Compatible with VS SUB® Pantry
and VS TAL® Pantry



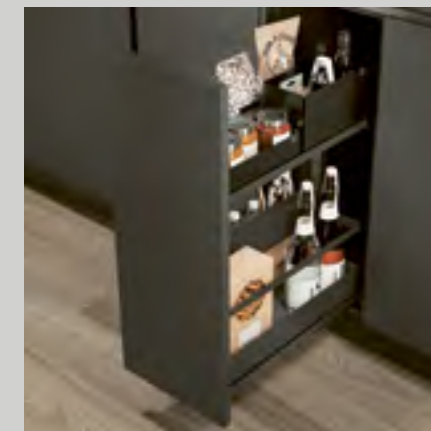
For kitchen and utility area,
frame customisable with filling



Modular coordination with
VS ADD® Box and VS ADD® Separator



VS SUB® Pantry Flex Clean



VS SUB® Pantry Flex Free

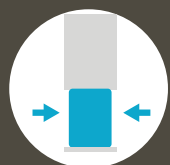


WOOD AT THE HEART OF AMERICAN KITCHES.

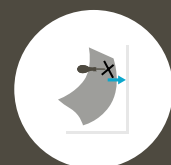
FOR FACE FRAME KITCHEN

VS SUB® Rack Ligano BOTTOM MOUNTED BASE CABINET PULL-OUT

FEATURES



Convenient access
Brings all contents out of the cupboard. Everything can be accessed easily from both sides



Installation template for easy and fast installation



Easy Fit
Simple frame assembly on the runners and to the front



Combinable
Compatible with the VS ADD® Box

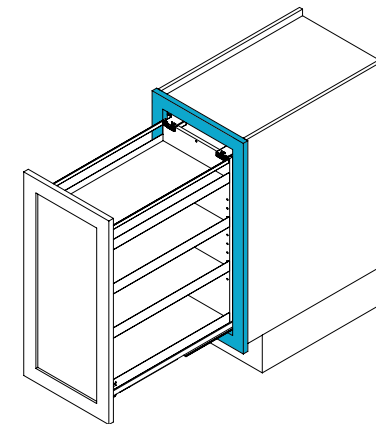


Unhanded Installation
No need to worry about right or left handed applications, the VS SUB® Rack Ligano works both ways!



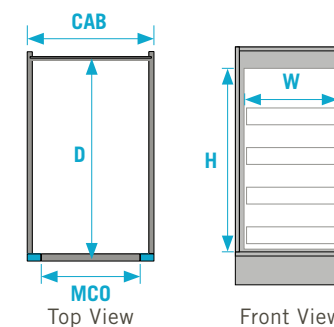
3D front Adjustment
Facilitates the convenient and simple adjustment of the front

DETAILS



- **Cabinet widths (CAB):** FF 9", 12", 15" or 18"
- **Cabinet opening (MCO):** 6", 9", 12" or 15"
- **FF width:** 1-1/2"
- **Installation depth:** min. 22-1/2"
- **Installation height:** min. 26-1/2"
- **Capacity:** max. 44lbs
- **Finish:**
 - platinum wood
 - lava wood

CABINET DIMENSIONS



FF Fitting width* (W)	Cabinet widths (CAB)	FF cabinet opening (MCO)	Installation depth (D)	Installation height (H)
6-9/16"	9"	6"	min. 22-1/2"	min. 26-1/2"
9-9/16"	12"	9"	min. 22-1/2"	min. 26-1/2"
12-9/16"	15"	12"	min. 22-1/2"	min. 26-1/2"
15-9/16"	18"	15"	min. 22-1/2"	min. 26-1/2"

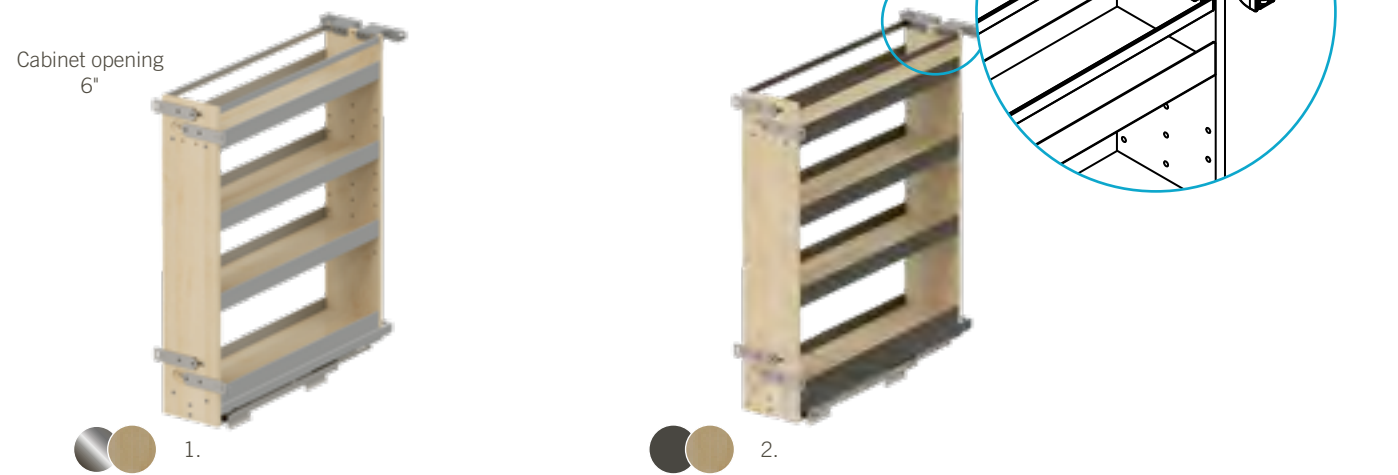
*Including the front attachment.

VS SUB® RACK LIGANO
Preassembled

- Bottom mounted
- Pullouts with soft-close

COMING SOON

MARKET INNOVATION:
STABILIZER ROLLERS
COMPLETELY PREVENT
WOBLING



Item #	Cabinet width	FF cabinet opening	Installation depth	Installation height	Fitting / Finish
*	9"	min. 6"	min. 22-1/2"	min. 26-1/2"	1. platinum / wood
*	9"	min. 6"	min. 22-1/2"	min. 26-1/2"	2. lava / wood



Item #	Cabinet width	FF cabinet opening	Installation depth	Installation height	Fitting / Finish
*	12"	min. 9"	min. 22-1/2"	min. 26-1/2"	3. platinum / wood
*	12"	min. 9"	min. 22-1/2"	min. 26-1/2"	4. lava / wood

VS SUB® RACK LIGANO
Preassembled

- Bottom mounted
- Pullouts with soft-close



Item #	Cabinet width	FF cabinet opening	Installation depth	Installation height	Fitting / Finish
*	15"	min. 12"	min. 22-1/2"	min. 26-1/2"	5. platinum / wood
*	15"	min. 12"	min. 22-1/2"	min. 26-1/2"	6. lava / wood



Item #	Cabinet width	FF cabinet opening	Installation depth	Installation height	Fitting / Finish
*	18"	min. 15"	min. 22-1/2"	min. 26-1/2"	7. platinum / wood
*	18"	min. 15"	min. 22-1/2"	min. 26-1/2"	8. lava / wood

* Item numbers follow

VS
TAL



VS TAL® – TALL CABINETS

An elegant tall cabinet is the key to a happy kitchen. As a storage cabinet for food or as a practical storage option for kitchen utensils, it significantly contributes to improved working

efficiency and an increased quality of life. Neither narrow gaps nor small opening angles stand in the way of our tal cabinet solutions.

FOR FACE FRAME & FRAMELESS KITCHEN

YOUR STOCKPILE OF ACCESSIBLE STORAGE SPACE.

VS TAL® Pantry TOP AND BOTTOM MOUNTED TALL CABINET PULL-OUT

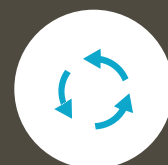


Watch it!

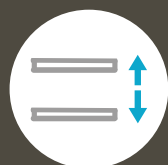
FEATURES



PAM:
Power-Assisted Movement



Synchronised upper and lower end stops



Height adjustable shelves



Save time by having complete visibility with one pull

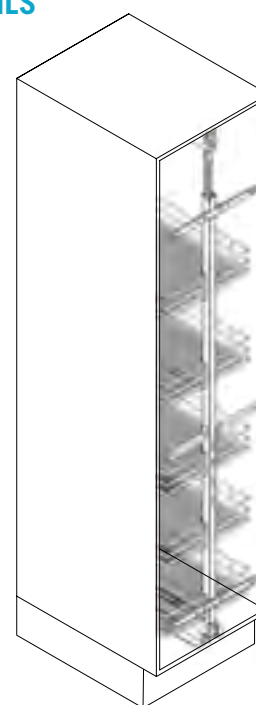


Heavy-duty noise-restricting roller slides



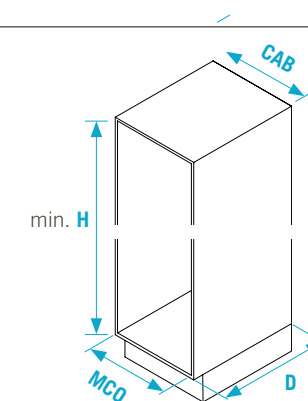
Optimal access

DETAILS



- Cabinet widths (CAB):**
 - FF: 12", 15", 18", 21", 24"
 - FL: 10.5", 13.5", 16.5", 19.5", 22.5"
- Cabinet opening (MCO):** 9", 12", 15", 18" and 21"
- Installation height:** 37-1/2" to 84-1/4"
- Installation depth:** 22-1/2"
- Load capacity:** max. 176lbs
- Storage versions:** Saphir, Scalea and Planero®
- Finish:**
 - platinum (circle), lava (circle)
 - platinum (circle), lava (circle), maple (circle), maple (circle)
 - lava (circle), walnut (circle)
- Additionally available:** Opening Support PAM

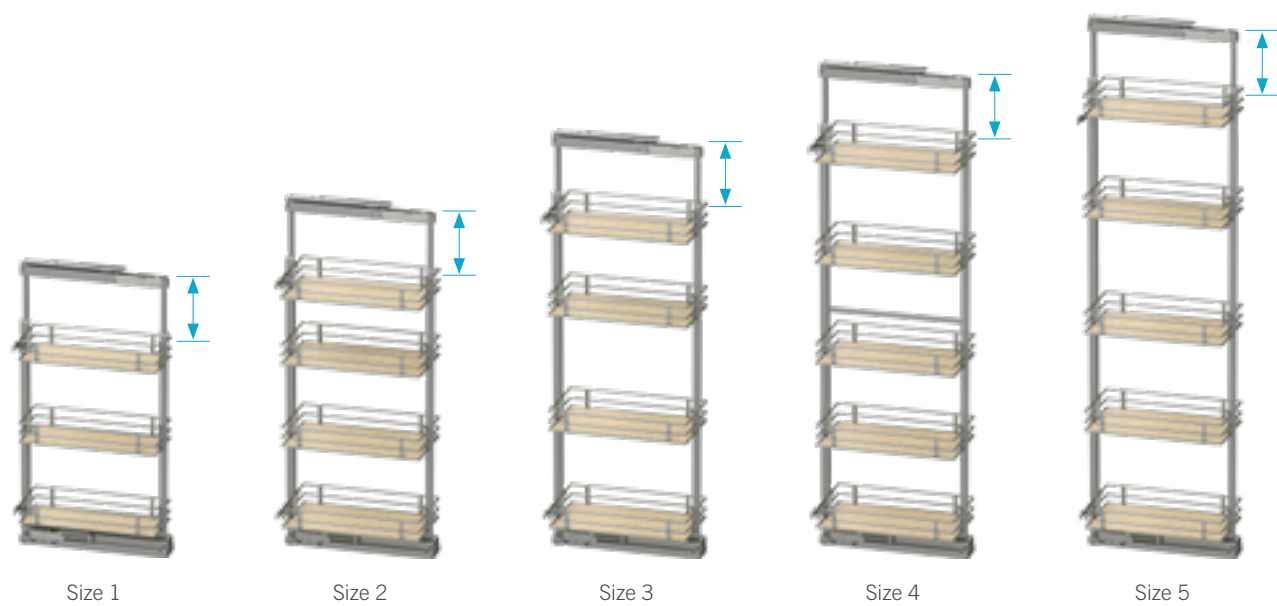
CABINET DIMENSIONS



FF cabinet widths (CAB)	FL cabinet widths (CAB)	Cabinet opening (MCO)	Installation depth (D)	Installation height 1 (H)	Installation height 2 (H)	Installation height 3 (H)	Installation height 4 (H)	Installation height 5 (H)
12"	min. 10-1/2"	9"	22-1/2"	37-1/2"	47-1/4"	57"	67"	76-3/4"
15"	min. 13-1/2"	12"	22-1/2"	37-1/2"	47-1/4"	57"	67"	76-3/4"
18"	min. 16-1/2"	15"	22-1/2"	37-1/2"	47-1/4"	57"	67"	76-3/4"
21"	min. 19-1/2"	18"	22-1/2"	37-1/2"	47-1/4"	57"	67"	76-3/4"
24"	min. 22-1/2"	21"	22-1/2"	37-1/2"	47-1/4"	57"	67"	76-3/4"

FIND OUT THE RIGHT SIZE YOU NEED

The **frame** comes in 5 different heights. Each frame is **telescopic**. Identify your cabinet size and whether you want to have a Silver or Lava frame. Choose your **basket design** and preferred **color version**. Your chosen frame height defines the recommended amount of baskets, the internal cabinet width defines the width of the baskets.



Size	Cab. opening height	Height adjustable	Recommended amount of baskets
1	37-1/2"-47-1/4"	10"	3
2	47-1/4"-57"	10"	4
3	57"-67"	10"	4
4	67"-76-3/4"	10"	5
5	76-3/4"-84-1/4"	10"	5



Saphir Platinum



Saphir Lava



Scalea Lava / Walnut



Scalea Lava / Lava




Planero® Lava Walnut



Planero® Lava / Lava


SAPHIR

Cabinet Opening Height 37-1/2"-47-1/4" Cabinet Opening Height 47-1/4"-57" Cabinet Opening Height 57"-67" Cabinet Opening Height 67"-76-3/4" Cabinet Opening Height 76-3/4"-84-1/4"

Fitting: silver Baskets: platinum




Cabinet width	1. Cabinet opening height 1 (3 baskets)	2. Cabinet opening height 2 (4 baskets)	3. Cabinet opening height 3 (4 baskets)	4. Cabinet opening height 4 (5 baskets)	5. Cabinet opening height 5 (5 baskets)
12"	90092000329	90092000339	90092000349	90092000359	90092000384
15"	90092000331	90092000341	90092000351	90092000361	90092000385
18"	90092000333	90092000343	90092000353	90092000363	90092000386
21"	90092000335	90092000345	90092000355	90092000365	90092000387
24"	90092000337	90092000347	90092000357	90092000367	90092000388

Fitting and Baskets: lava




Cabinet width	1. Cabinet opening height 1 (3 baskets)	2. Cabinet opening height 2 (4 baskets)	3. Cabinet opening height 3 (4 baskets)	4. Cabinet opening height 4 (5 baskets)	5. Cabinet opening height 5 (5 baskets)
12"	90092000209	90092000239	90092000269	90092000299	90092000379
15"	90092000215	90092000245	90092000275	90092000305	90092000380
18"	90092000221	90092000251	90092000281	90092000312	90092000381
21"	90092000227	90092000257	90092000287	90092000317	90092000382
24"	90092000233	90092000263	90092000293	90092000323	90092000383

SCALEA

Cabinet Opening Height 37-1/2"-47-1/4" Cabinet Opening Height 47-1/4"-57" Cabinet Opening Height 57"-67" Cabinet Opening Height 67"-76-3/4" Cabinet Opening Height 76-3/4"-84-1/4"

Fitting: silver Baskets: platinum / maple









Cabinet width	1. Cabinet opening height 1 (3 baskets)	2. Cabinet opening height 2 (4 baskets)	3. Cabinet opening height 3 (4 baskets)	4. Cabinet opening height 4 (5 baskets)	5. Cabinet opening height 5 (5 baskets)
12"	90092000330	90092000340	90092000350	90092000360	90092000404
15"	90092000332	90092000342	90092000352	90092000362	90092000405
18"	90092000334	90092000344	90092000354	90092000364	90092000406
21"	90092000336	90092000346	90092000356	90092000366	90092000407
24"	90092000338	90092000348	90092000358	90092000368	90092000408



Fitting: lava Baskets: lava / maple









Cabinet width	1. Cabinet opening height 1 (3 baskets)	2. Cabinet opening height 2 (4 baskets)	3. Cabinet opening height 3 (4 baskets)	4. Cabinet opening height 4 (5 baskets)	5. Cabinet opening height 5 (5 baskets)
12"	90092000211	90092000241	90092000271	90092000301	90092000394
15"	90092000217	90092000247	90092000277	90092000307	90092000395
18"	90092000223	90092000253	90092000283	90092000313	90092000396
21"	90092000229	90092000259	90092000289	90092000319	90092000397
24"	90092000235	90092000265	90092000295	90092000325	90092000398


SCALEA

	Cabinet Opening Height 37-1/2"-47-1/4"	Cabinet Opening Height 47-1/4"-57"	Cabinet Opening Height 57"-67"	Cabinet Opening Height 67"-76-3/4"	Cabinet Opening Height 76-3/4"-84-1/4"
Fitting: lava Baskets: lava / walnut					
					
Cabinet width	1. Cabinet opening height 1 (3 baskets)	2. Cabinet opening height 2 (4 baskets)	3. Cabinet opening height 3 (4 baskets)	4. Cabinet opening height 4 (5 baskets)	5. Cabinet opening height 5 (5 baskets)
12"	90092000212	90092000242	90092000272	90092000302	90092000399
15"	90092000218	90092000248	90092000278	90092000308	90092000400
18"	90092000224	90092000254	90092000284	90092000314	90092000401
21"	90092000230	90092000260	90092000290	90092000320	90092000402
24"	90092000236	90092000266	90092000296	90092000326	90092000403

	1. Cabinet opening height 1 (3 baskets)	2. Cabinet opening height 2 (4 baskets)	3. Cabinet opening height 3 (4 baskets)	4. Cabinet opening height 4 (5 baskets)	5. Cabinet opening height 5 (5 baskets)
Fitting and Baskets: lava					
					
Cabinet width	1. Cabinet opening height 1 (3 baskets)	2. Cabinet opening height 2 (4 baskets)	3. Cabinet opening height 3 (4 baskets)	4. Cabinet opening height 4 (5 baskets)	5. Cabinet opening height 5 (5 baskets)
12"	90092000210	90092000240	90092000270	90092000300	90092000389
15"	90092000216	90092000246	90092000276	90092000306	90092000390
18"	90092000222	90092000252	90092000282	90092000312	90092000391
21"	90092000228	90092000258	90092000288	90092000318	90092000392
24"	90092000234	90092000264	90092000294	90092000324	90092000393

PLANERO®

	Cabinet Opening Height 37-1/2"-47-1/4"	Cabinet Opening Height 47-1/4"-57"	Cabinet Opening Height 57"-67"	Cabinet Opening Height 67"-76-3/4"	Cabinet Opening Height 76-3/4"-84-1/4"
Fitting: lava Trays: lava / walnut					
					
Cabinet width	1. Cabinet opening height 1 (3 trays)	2. Cabinet opening height 2 (4 trays)	3. Cabinet opening height 3 (4 trays)	4. Cabinet opening height 4 (5 trays)	5. Cabinet opening height 5 (5 trays)
12"	90092000214	90092000244	90092000274	90092000304	90092000374
15"	90092000220	90092000250	90092000280	90092000310	90092000375
18"	90092000226	90092000256	90092000286	90092000316	90092000376
21"	90092000232	90092000262	90092000292	90092000322	90092000377
24"	90092000238	90092000268	90092000298	90092000328	90092000378

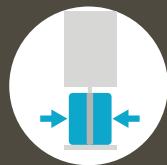
	1. Cabinet opening height 1 (3 trays)	2. Cabinet opening height 2 (4 trays)	3. Cabinet opening height 3 (4 trays)	4. Cabinet opening height 4 (5 trays)	5. Cabinet opening height 5 (5 trays)
Fitting: lava Trays: lava / lava					
					
Cabinet width	1. Cabinet opening height 1 (3 trays)	2. Cabinet opening height 2 (4 trays)	3. Cabinet opening height 3 (4 trays)	4. Cabinet opening height 4 (5 trays)	5. Cabinet opening height 5 (5 trays)
12"	90092000213	90092000243	90092000273	90092000303	90092000369
15"	90092000219	90092000249	90092000279	90092000309	90092000370
18"	90092000225	90092000255	90092000285	90092000315	90092000371
21"	90092000231	90092000261	90092000291	90092000321	90092000372
24"	90092000237	90092000267	90092000297	90092000327	90092000373



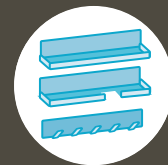
VS Pantry Flex

FLEX TRAYS FOR THE TAL PANTRY

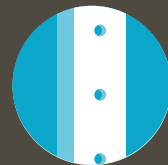
FEATURES



Front and back can be used in different ways



Various trays for different applications



Hole pattern for simple adjustment to various heights



Compatible with VS SUB® Pantry and VS TAL® Pantry



For kitchen and utility area, frame customisable with filling



Modular coordination with VS ADD® Box and VS ADD® Separator

SETS VS SUB® PANTRY



Pantry Flex Broom



Pantry Flex Wash



Pantry Flex Tool



Pantry Flex Iron

VS
TOP



VS TOP® – WALL CABINETS

Taking advantage of every possible space – that is the highest imperative in the development of our top cabinet solutions. It makes no difference whether it's full-fledged storage for dishes or a well-arranged

spice container shelf. Organization and optimal use of space support everyday work in the kitchen and make space for the beautiful things in life.

SMALL COMPONENTS WITH A HUGE BENEFIT.

THE PERFECT
FIT FOR YOUR
CABINET



VS TOP® Hang 26 CABINET / CLOSET HANGER

FEATURES



3D adjustment



Up to 229 lbs per set load capacity



Made completely of steel and anti-corrosion zinc coating



Automated installation possible





For steel rail, hook and wood rail suspension with hooks



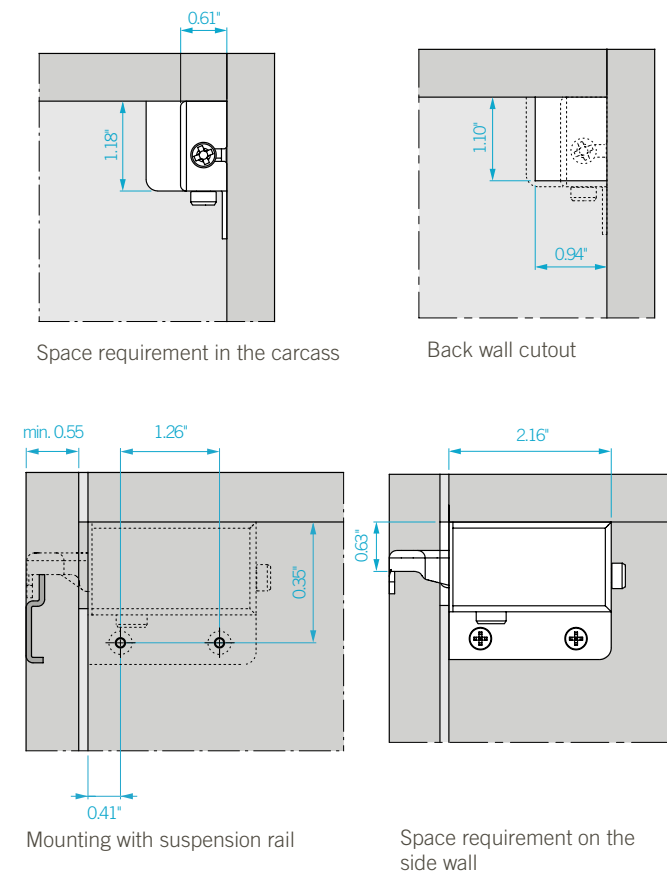
LGA-certificated high-end quality

DETAILS VS TOP® Hang 26

- Load capacity of up to 229 lbs per wall cabinet as per DIN EN 15939
- Made completely of steel
- Bearing arm open
- Suitable for very heavy loads
- Visible installation with low space requirements
- For steel rail
- Quick and precise adjustment using a cross-head screwdriver Pozidriv PZ2
- Automated installation possible

- **Surface finish:** nickel 
- white 

DIMENSIONS




white 	nickel 	Installation side
10048259233	10048261223	Left
10048260233	10048264223	Right


OPTIONAL: ADD A SUSPENSION RAIL AND COVER

Also suitable for the VS TOP® Hang 40



Zinc 	Rail length	Material	Surface	HTS Code
9005500003	93"	Metal	Zinc	83024200



Cover 	Material
9005500004	Plastic

SMALL COMPONENTS WITH A HUGE BENEFIT.

THE PERFECT
FIT FOR YOUR
CABINET

VS TOP® Hang 40 CABINET / CLOSET HANGER

FEATURES



3D adjustment



Up to 202 lbs per set load capacity



Cover caps available in different colors and silver metalized



Automated installation possible



Made in Germany



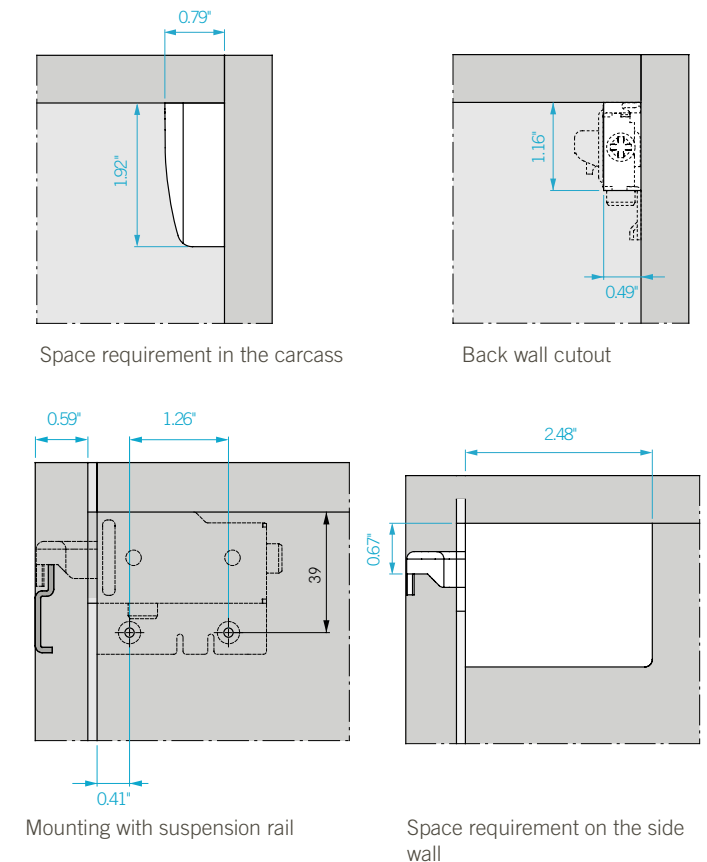
LGA-certificated high-end quality

DETAILS

- Load capacity of up to 202 lbs per set as per DIN EN 15939
- Made completely of steel, anti-corrosion zinc coating
- Bearing arm open
- Suitable for very heavy loads
- Visible installation with low space requirements
- For steel rail hook and wood rail suspension with hooks
- Screw fixing prevents accidental unscrewing
- Automated installation possible

- Finish color caps:
 - white
 - gray
 - black
 - pearlwhite / almond
 - brown

DIMENSIONS



STEP 1: CHOOSE A VS TOP® Hang 40



Steel	Installation Side
10045067233	Left
10045068233	Right

STEP 2: CHOOSE A VS TOP® Hang 40 COVER CAP

1.	2.	3.	4.	5.	Installation Side
10045038133	10045062133	10045077133	10045060133	10045061133	Left
10045039133	10045066133	10045078133	10045064133	10045065133	Right



VS
ADD



VS ADD® - ACCESSORIES

It's often the small things that make our lives more beautiful. Our add-on solutions are the best example of this. They provide more organization and convenience at home and complete

the kitchen, turning it into a modern, cross-generational living space. After all, everyone should feel comfortable there, down to the last detail.



EVERYTHING ON BOARD.
ANYWHERE.



VS ADD® Board

VERSATILE, CUSTOMISABLE WALL SHELF



FEATURES



Additional storage space made of high quality powder-coated, bevelled sheet steel



Combinable
Can be combined with the VS ADD® Box and VS ADD® Separator



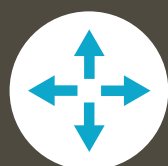
Universal use
for the kitchen, bathroom, utility room or lounge



Raised front edge to prevent boxed and stored items from slipping



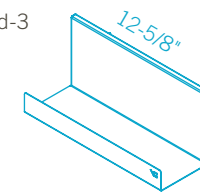
Easy installation
Simple, invisible wall mounting



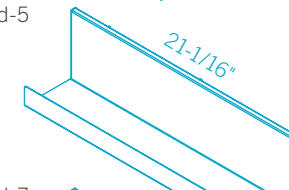
2D adjustment + locking mechanism
Simple, invisible fixing with 2D adjustment system and locking mechanism

DETAILS

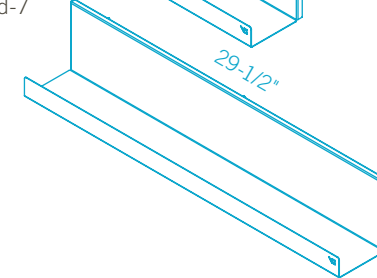
VS ADD® Board-3



VS ADD® Board-5



VS ADD® Board-7



Product dimensions:

VS ADD® Board 3:
5-9/16" (H) x 12-5/8" (W) x 4-3/4" (D)

VS ADD® Board 5:
5-9/16" (H) x 21-1/16" (W) x 4-3/4" (D)

VS ADD® Board 7:
5-9/16" (H) x 29-1/2" (W) x 4-3/4" (D)

- **Capacities:** 11 lbs
15.5 lbs
19.8 lbs

- **Finish:**
 - Silk matt**
white silver lava
 - Matt structure**
aluST* stoneST* neroST*

SINGLE BOARDS

1. white <input type="radio"/>	2. silver <input type="radio"/>	3. lava <input type="radio"/>	4. aluST* <input type="radio"/>	5. stoneST* <input type="radio"/>	6. neroST <input type="radio"/>	Board
10090009712	10090009716	10090009715	10090009713	10090009714	10090009717	VS ADD® Board-3
10090009724	10090009727	10090009728	10090009725	10090009726	10090009729	VS ADD® Board-5
10090009736	10090009739	10090009740	10090009737	10090009738	10090009741	VS ADD® Board-7

VS ADD® Board SETS

VS ADD® Board-3 Box-M Set



Consists of:
1 x ADD® Board-3
1 x ADD® Box M3 1x1
1 x ADD® Box M2 1x1

VS ADD® Board-5 Box-M Set



Consists of:
1 x ADD® Board-5
1 x ADD® Box M3 2x1
1 x ADD® Box M2 2x1

VS ADD® Board-7 Box-M Set



Consists of:
1 x ADD® Board-7
1 x ADD® Box M3 2x1
1 x ADD® Box M3 1x1
1 x ADD® Box M2 2x1
1 x ADD® Box M2 1x1

1. white <input type="radio"/>	2. silver <input type="radio"/>	3. lava <input type="radio"/>	4. aluST* <input type="radio"/>	5. stoneST* <input type="radio"/>	6. neroST <input type="radio"/>	Board width
10090009718	10090009722	10090009721	10090009719	10090009720	10090009723	VS ADD® Board-3
10090009730	10090009733	10090009734	10090009731	10090009732	10090009735	VS ADD® Board-5
10090009742	10090009745	10090009746	10090009743	10090009744	10090009747	VS ADD® Board-7

* stoneST and aluST are available upon request from Germany.

BEAUTIFULLY TIDY, INSIDE AND OUT



VS ADD® Box

METAL OR PLASTIC BOXES FOR ORGANISING THE INTERIOR

Watch it!



FEATURES



Easy to clean metal boxes with open corners for ease of cleaning



Compatible Design complements the Planero® and Essentio® range



Universal use for the kitchen, bathroom, utility room or lounge



Plastic boxes and lids are dishwasher-safe



Metal boxes have rubber pads: for non-slip, noise reduction and to prevent scratches



Plastic lids and boxes have an antimicrobial finish

DETAILS

• **Product dimensions and volumes:**

VS ADD Box is available in 4 different sizes as a metal (M) or plastic version (P).

• **Metal**

VS ADD® Box M2 1x1: 4-5/32" (W) x 2-3/4" (H) x 4-5/32" (D)

VS ADD® Box M2 2x1: 8-3/8" (W) x 2-3/4" (H) x 4-5/32" (D)

VS ADD® Box M3 1x1: 4-5/32" (W) x 5-1/2" (H) x 4-5/32" (D)

VS ADD® Box M3 2x1: 8-3/8" (W) x 5-1/2" (H) x 4-5/32" (D)

• **Plastic**

VS ADD® Box P2 1x1: 4-5/32" (W) x 2-3/4" (H) x 4-5/32" (D); volume 0,6l

VS ADD® Box P2 2x1: 8-3/8" (W) x 2-3/4" (H) x 4-5/32" (D); volume 1,3l

VS ADD® Box P3 1x1: 4-5/32" (W) x 5-1/2" (H) x 4-5/32" (D); volume 1,3l

VS ADD® Box P3 2x1: 8-3/8" (W) x 5-1/2" (H) x 4-5/32" (D); volume 2,7l

• **Finish: Silk matt**

white

silver

lava

Matt structure

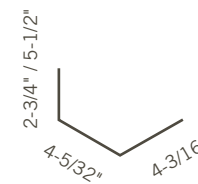
aluST*

stoneST*

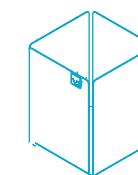
neroST*

BOXES METAL

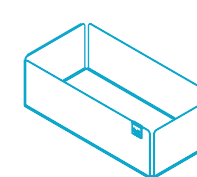
PRODUCT MEASUREMENTS



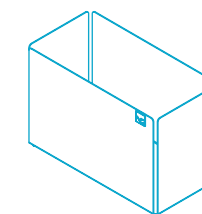
VS ADD® Box M2 1x1



VS ADD® Box M3 1x1



VS ADD® Box M2 2x1



VS ADD® Box M3 2x1

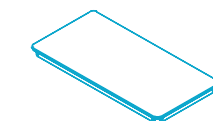
LIDS



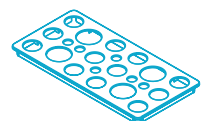
VS ADD® Box M Lid 1x1



VS ADD® Box M Lid-hole 1x1



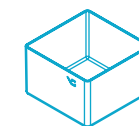
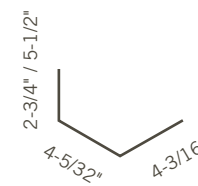
VS ADD® Box M Lid 2x1



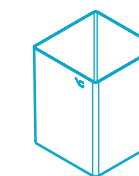
VS ADD® Box M Lid-hole 2x1

BOXES PLASTIC

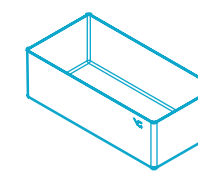
PRODUCT MEASUREMENTS



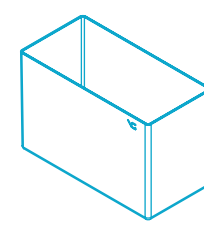
VS ADD® Box P2 1x1



VS ADD® Box P3 1x1



VS ADD® Box P2 2x1



VS ADD® Box P3 2x1

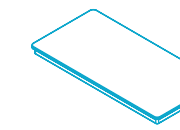
LIDS



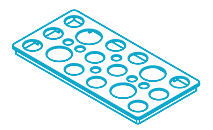
VS ADD® Box P Lid 1x1



VS ADD® Box P Lid-hole 1x1



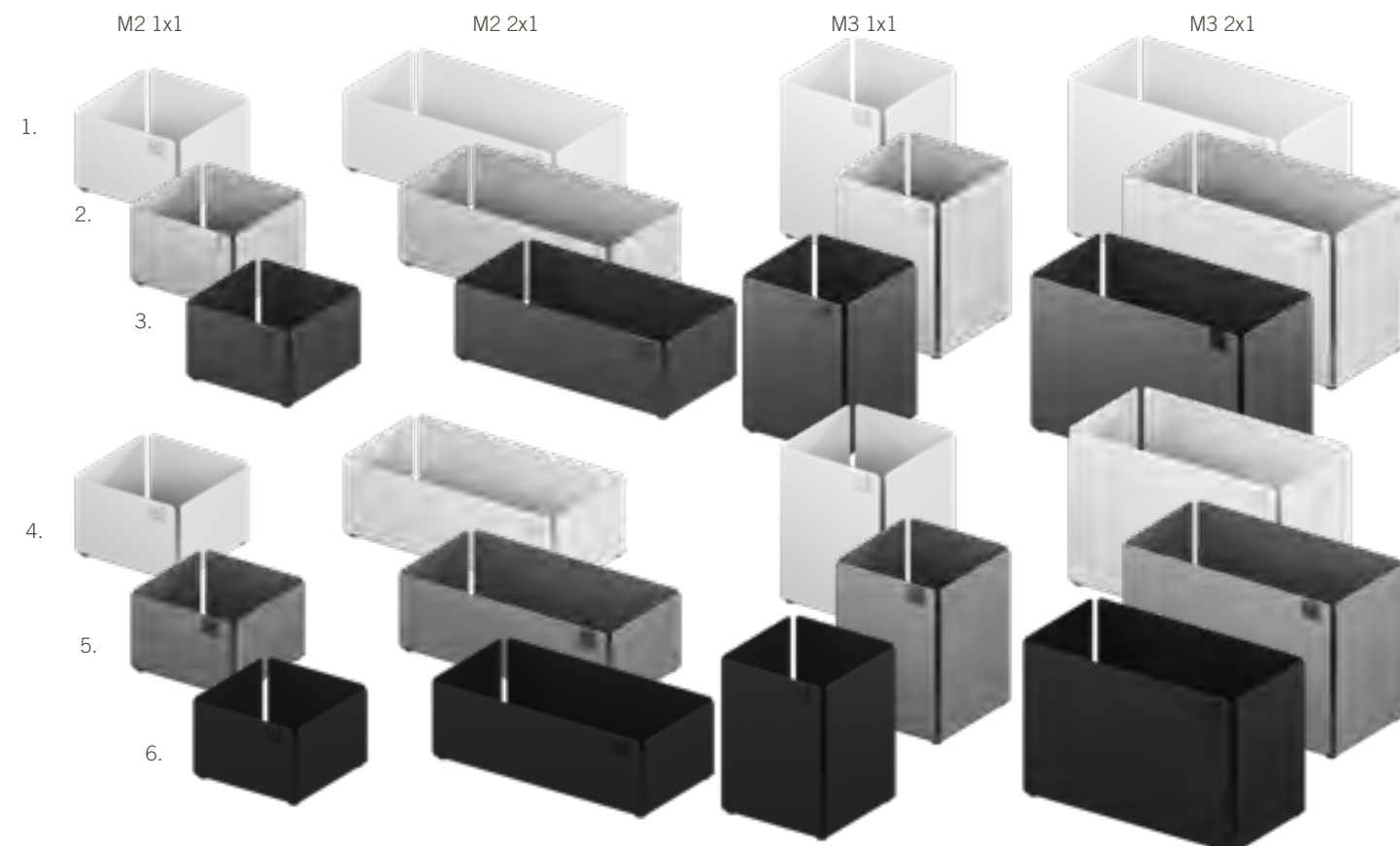
VS ADD® Box P Lid 2x1



VS ADD® Box P Lid-hole 2x1

* stoneST, aluST and neroST are available upon request from Germany.

METAL BOXES

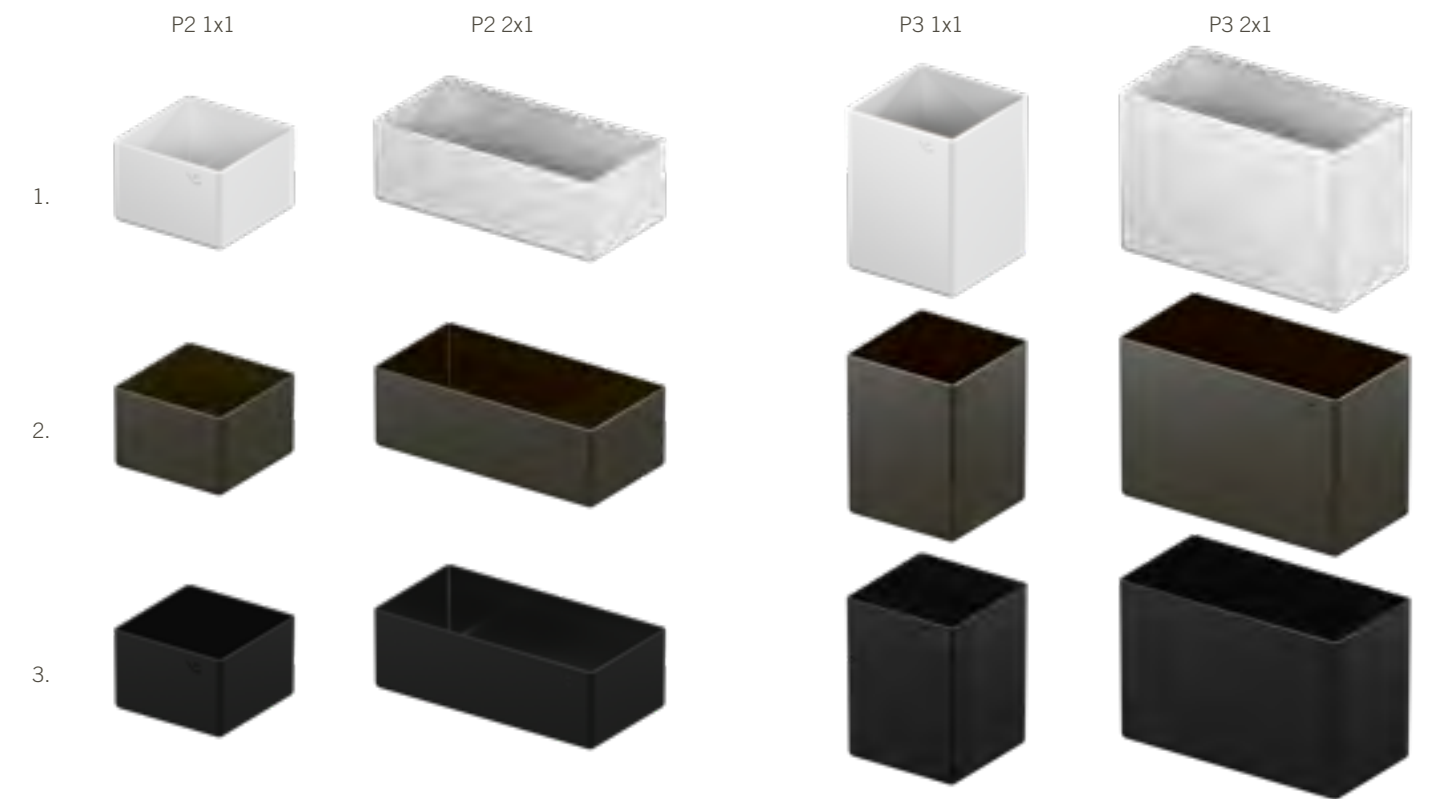


1. white 2. silver 3. lava 4. aluST* 5. stoneST* 6. neroST* Box

10090009688	10090009690	10090009692	10090009689	10090009691	10090009693	M2 1x1
10090009694	10090009696	10090009698	10090009695	10090009697	10090009699	M2 2x1
10090009700	10090009702	10090009704	10090009701	10090009703	10090009705	M3 1x1
10090009706	10090009708	10090009710	10090009707	10090009709	10090009711	M3 2x1

* aluST, stoneST and neroST are available upon request from Germany.

PLASTIC BOXES

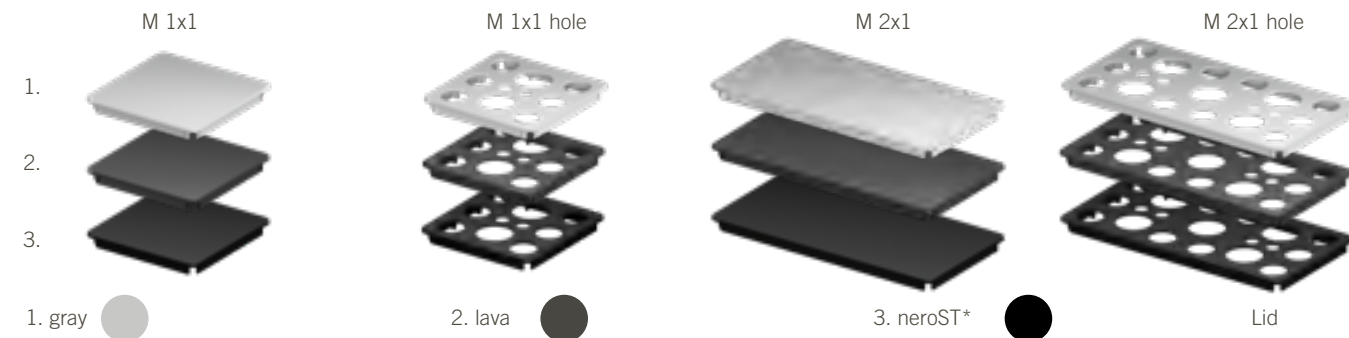


1. white 2. lava 3. neroST* Box

10090009654	10090009652	10090009653	P2 1x1
10090009657	10090009655	10090009656	P2 2x1
10090009660	10090009658	10090009659	P3 1x1
10090009663	10090009661	10090009662	P3 2x1

* neroST is available upon request from Germany.

PLASTIC LIDS FOR METAL BOXES

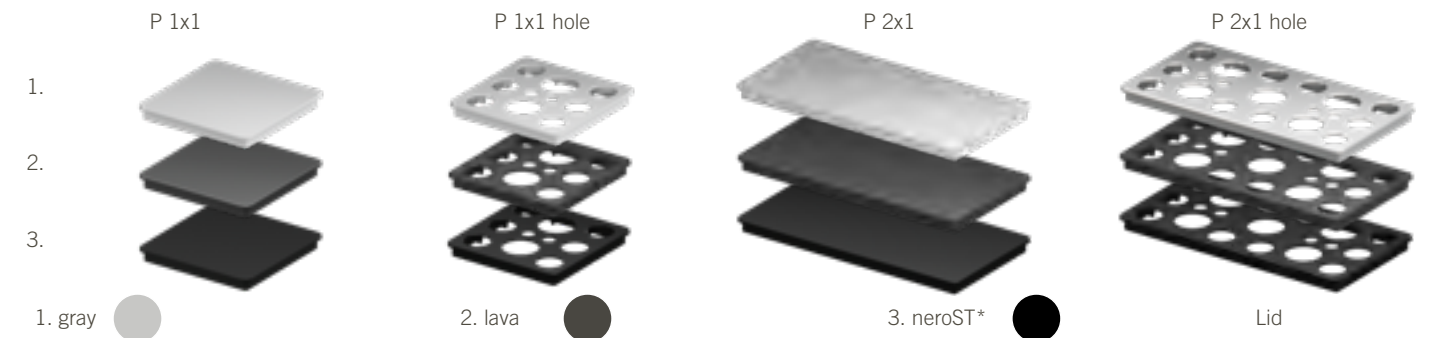


1. gray 2. lava 3. neroST* Lid

10090009676	10090009677	10090009678	M 1x1
10090009682	10090009683	10090009684	M 2x1
10090009679	10090009680	10090009681	M 1x1 hole
10090009685	10090009686	10090009687	M 2x1 hole

* neroST is available upon request from Germany.

PLASTIC LIDS FOR PLASTIC BOXES



1. gray 2. lava 3. neroST* Lid

10090009668	10090009667	10090009669	P 1x1
10090009671	10090009670	10090009672	P 2x1
10090009665	10090009664	10090009666	P 1x1 hole
10090009674	10090009673	10090009675	P 2x1 hole

* neroST is available upon request from Germany.

PERFECTLY POSITIONED
FOR ORGANISED
INTERIORS.



VS ADD® Separator
A MAGNET FOR ORDER



Watch it!

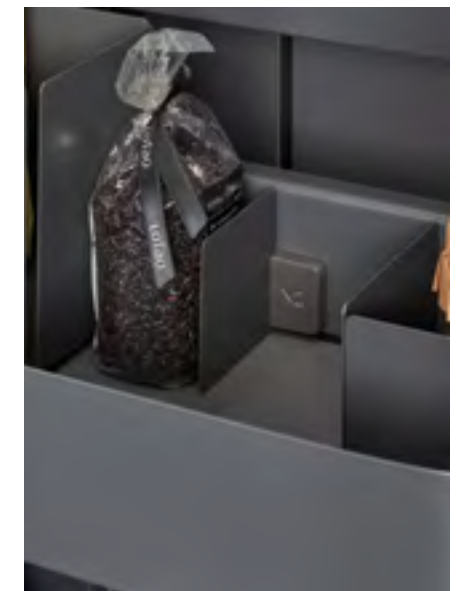
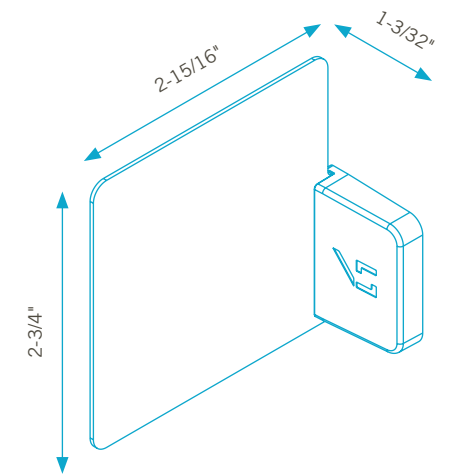
DETAILS

• **Product dimensions:**

- 2-3/4" (H)
- 1-3/32" (W)
- 2-15/16" (D)

• **Finish:**

- Silk matt**
- white 
 - silver 
 - lava 
 - 
- Matt structure**
- aluST* 
 - stoneST* 
 - neroST 
 - 



FEATURES



Universal use
for the kitchen, bathroom,
utility room or lounge



Stick without scratching thanks to
rubber pads.



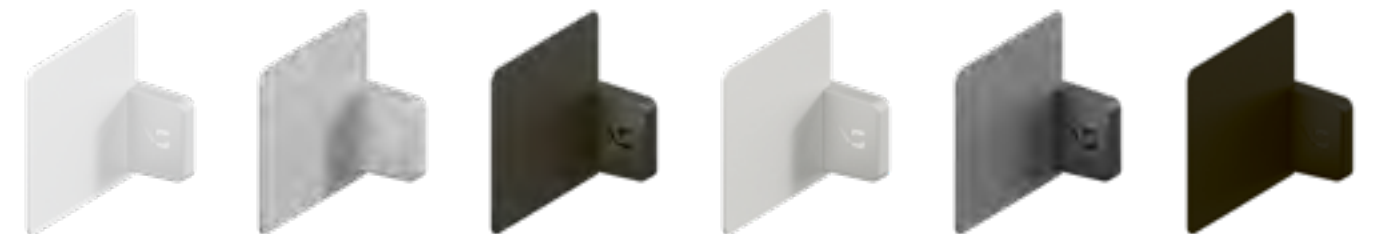
Perfect for organised storage inside the
VS sheet-steel ranges Planero® and
Essentio®: same materials, proportions and
finishes.



Compatible with the Essentio® and
Planero® shelf stop.



For flexible use without the need for
drilled holes: two integrated magnets allow the
boxes to be fixed to metallic surfaces



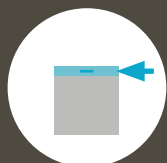
- 1. white  10090009750
- 2. silver  10090009752
- 3. lava  10090009751
- 4. aluST*  10090009748
- 5. stoneST*  10090009749
- 6. neroST  10090009753

* aluST and stoneST are available upon request from Germany.

AN EASY WAY,
FOR EVERY DAY.

VS ADD® Iron
PULL-OUT IRONING BOARD

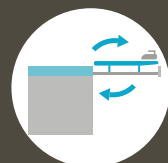
FEATURES



Extendable ironing board
for mounting behind a drawer front



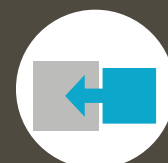
The ironing board is pulled out in front of the
cabinet on a telescopic guide and pivots
automatically to a comfortable working height



Optimal use of space



High quality stable, solid construction



Can be installed in existing cabinetry

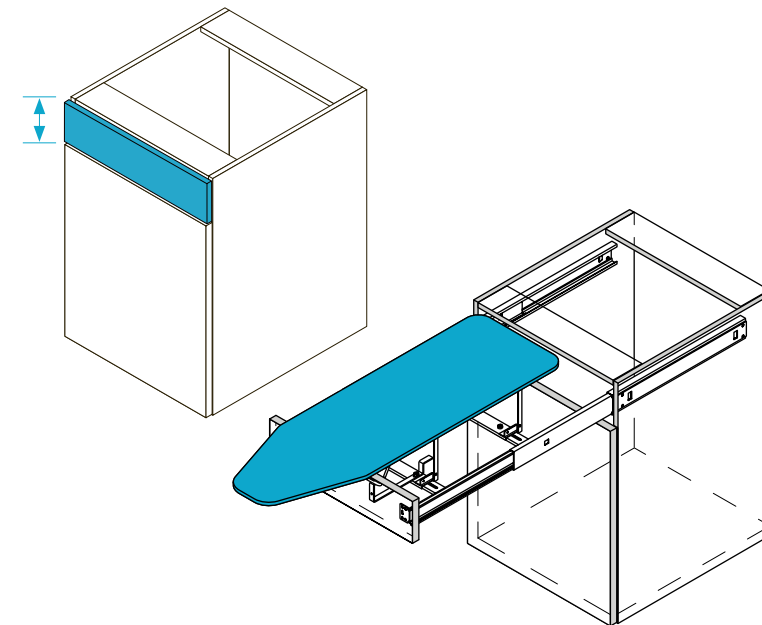
DETAILS

- Cabinet widths (CAB): 15-3/4" to 16-11/16"
- Installation depth: min. 20"
- Installation height: min. 4-3/4"
- Ironing board dimensions: 37-13/32" x 11-13/16"

- Finish: white

FL

min. 4-3/4"



FOR
FRAMELESS
KITCHEN



white

10090000120

VS WASH



VS WASH®

The VS WASH® is the neat solution for dirty laundry. With our laundry system, dirty laundry can finally be sorted, stored and transported not only neatly, but also completely out of sight.

The concealed drop is perfectly integrated into any utility room. Technically and visually, VS WASH® is based on the proven waste separation systems of the VS ENVI® range, creating a uniform look

for both recycling and laundry solutions. The new laundry hampers in a unique variety of types are perforated to ensure optimal air circulation. The perforations are even rounded on the container interior, making a unique contribution to the gentle handling of the laundry. Thanks to the handle, the way to the washing machine is easier than ever before – even with two laundry hampers at once.



LAUNDRY
TO GO.

VS WASH® SPACE XX
VS WASH® SPACE XX PRO
LAUNDRY HAMPER SYSTEMS



Watch it!

FEATURES



Handles make it possible to carry up to two containers at the same time



Gentle on delicate laundry thanks to rounded edges, which also ensure the best possible air circulation



Various bin sizes



Powder-coated lid for extra storage

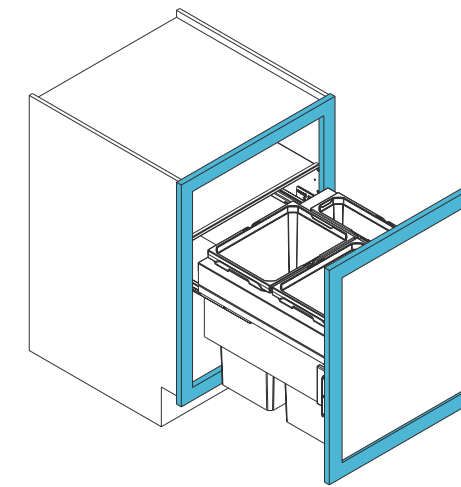


Synchronised runners with over extension



Cam shaft 3-D adjustment

DETAILS



- **Cabinet widths (CAB):** 15", 18", 21" and 24"
- **Cabinet opening (MCO):**
 - FF 12", 15", 18" and 21"
 - FL 13-1/2", 16-1/2", 19-1/2" and 22-1/2"
- **FF width:** 1-1/2"
- **Installation depth:** min. 20-1/2"
- **Installation height:**
 - VS WASH® Space XX: min. 19-1/2"
 - VS WASH® Space XX Pro: min. 23"
- **Capacity:** 31qt to 93qt
- **Finish Fitting:**
 - silver
 - lava
- **Container/handle color variations:**
 - white/gray
 - lava/lava
- **Additionally available:** VS ENVI® Kick

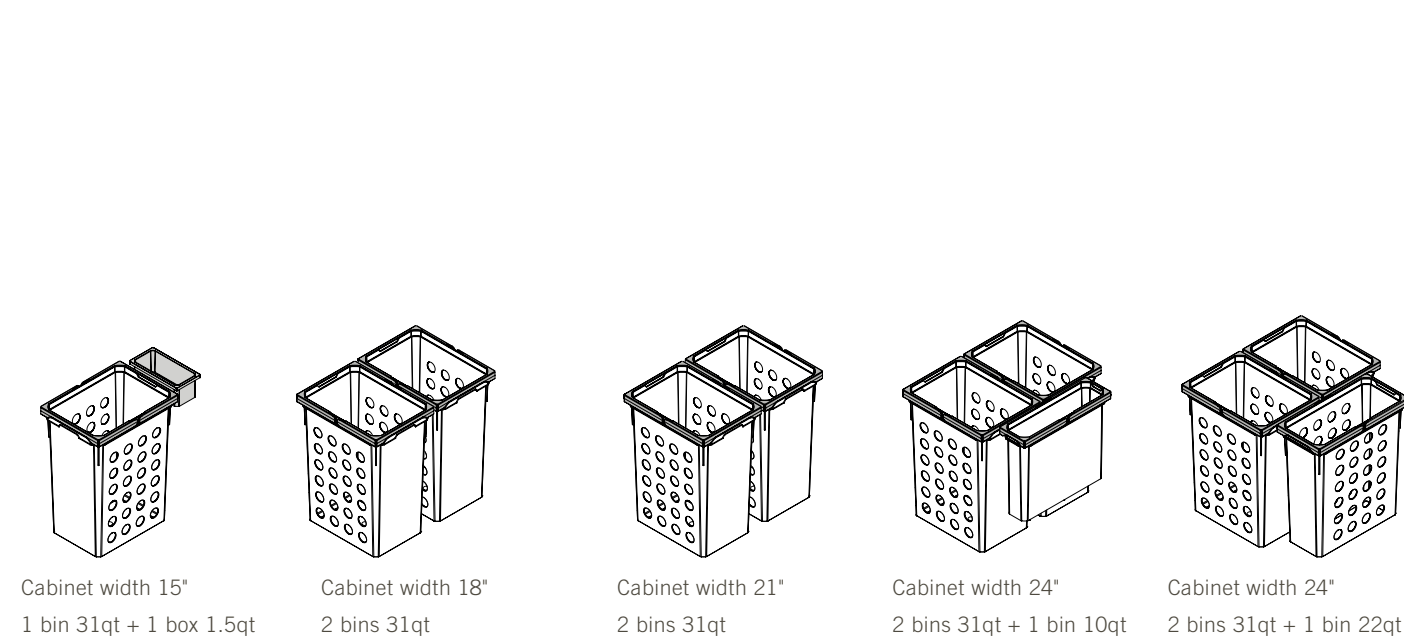
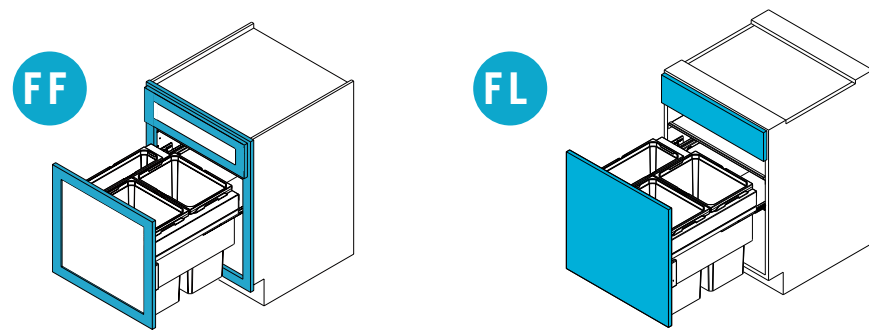
CABINET DIMENSIONS

FF	CAB	MCO	Installation depth (D)	Installation height (H)	
				VS WASH® Space XX	VS WASH® Space XX Pro
	15"	12"	20-1/2"	19-1/2"	23"
	18"	15"	20-1/2"	19-1/2"	23"
	21"	18"	20-1/2"	19-1/2"	23"
	24"	21"	20-1/2"	19-1/2"	23"

FL	CAB	MCO	Installation depth (D)	Installation height (H)	
				VS WASH® Space XX	VS WASH® Space XX Pro
	15"	13-1/2"	20-1/2"	19-1/2"	23"
	18"	16-1/2"	20-1/2"	19-1/2"	23"
	21"	19-1/2"	20-1/2"	19-1/2"	23"
	24"	22-1/2"	20-1/2"	19-1/2"	23"

UNDER DRAWER

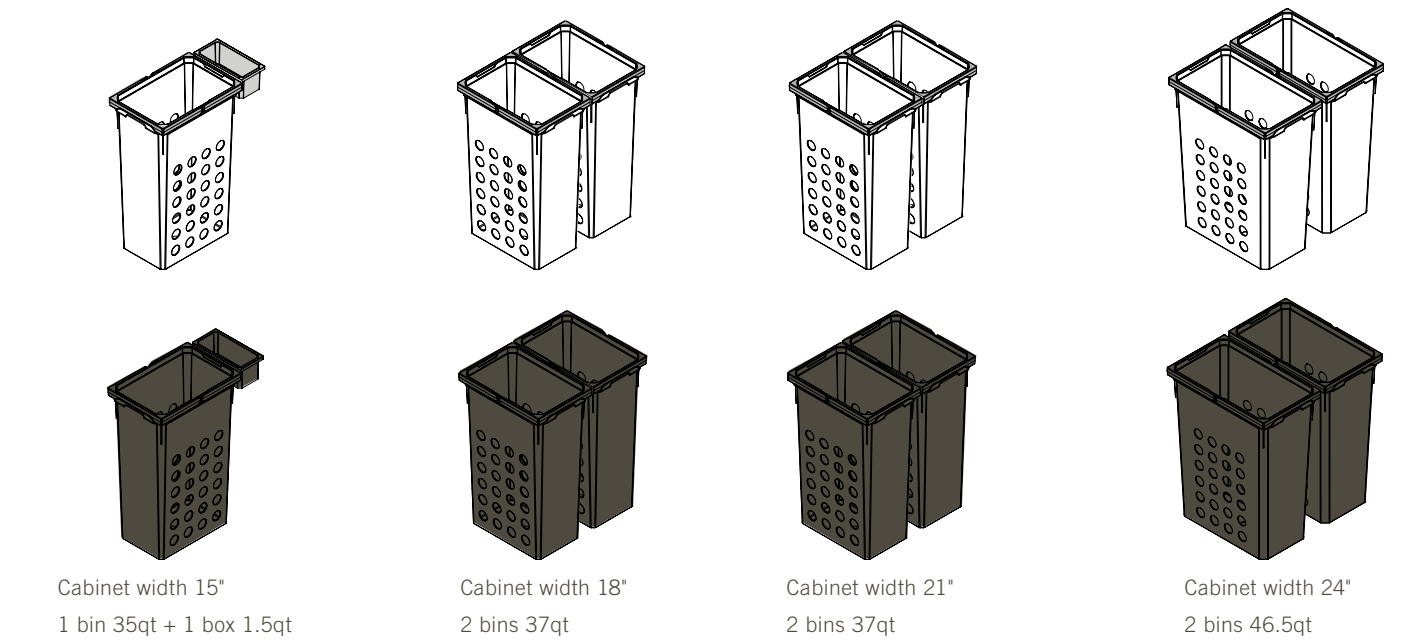
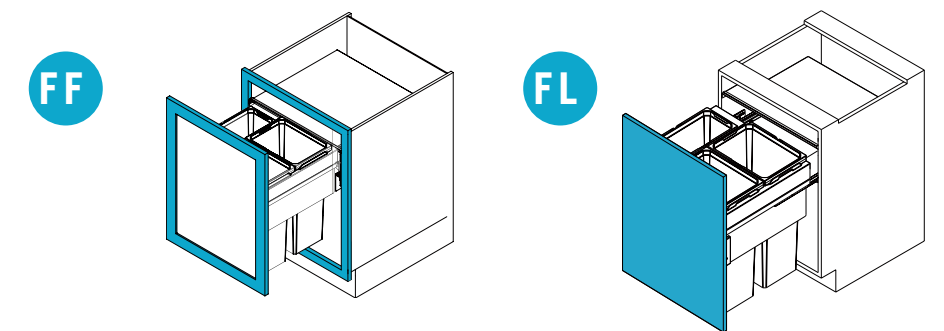
- Under cabinet / drawer wash bin
- Top mounted
- Pullouts with soft-close



	Fitting color silver	Bin color white / gray	Cabinet width	Cabinet opening	Product height	Product width	Product depth	Capacity
FF	10090010497	15"	12"	19-1/6"	13-1/2"	20-3/8"	1 bin 31qt + 1 box 1.5qt	
FL	10090010485	15"	13-1/2"	19-1/6"	13-1/2"	20-3/8"	1 bin 31qt + 1 box 1.5qt	
FF	10090010500	18"	15"	19-1/6"	16-1/2"	20-3/8"	2 bins 31qt	
FL	10090010488	18"	16-1/2"	19-1/6"	16-1/2"	20-3/8"	2 bins 31qt	
FF	10090010503	21"	18"	19-1/6"	19-1/2"	20-3/8"	2 bins 31qt	
FL	10090010491	21"	19-1/2"	19-1/6"	19-1/2"	20-3/8"	2 bins 31qt	
FF	10090010478	24"	21"	19-1/6"	22-1/2"	20-3/8"	2 bins 31qt + 1 bin 10qt	
FL	10090010494	24"	22-1/2"	19-1/6"	22-1/2"	20-3/8"	2 bins 31qt + 1 bin 22qt	

FULL HEIGHT

- Full height wash bin
- Top mounted
- Pullouts with soft-close



	Fitting color silver	Fitting color lava	Bin color white / gray	Bin color lava / lava	Cabinet width	Cabinet opening	Product height	Product width	Product depth	Capacity
FF	10090010496	10090010495	15"	12"	22-5/8"	13-1/2"	20-3/8"	1 bin 35qt + 1 box 1.5qt		
FL	10090010484	10090010483	15"	13-1/2"	22-7/16"	13-1/2"	20-3/8"	1 bin 35qt + 1 box 1.5qt		
FF	10090010499	10090010498	18"	15"	22-5/8"	16-1/2"	20-3/8"	2 bins 37qt		
FL	10090010487	10090010486	18"	16-1/2"	22-7/16"	16-1/2"	20-3/8"	2 bins 37qt		
FF	10090010502	10090010501	21"	18"	22-5/8"	19-1/2"	20-3/8"	2 bins 37qt		
FL	10090010490	10090010489	21"	19-1/2"	22-7/16"	19-1/2"	20-3/8"	2 bins 37qt		
FF	10090010477	10090010504	24"	21"	22-5/8"	22-1/2"	20-3/8"	2 bins 46.5qt		
FL	10090010493	10090010492	24"	22-1/2"	22-7/16"	22-1/2"	20-3/8"	2 bins 46.5qt		

Vauth-Sagel USA LP
1821 Baker Road
High Point, NC 27263
USA



Phone +1 (336) 861 0740

Toll free +1 855 770 9121

Fax +1 336 861 0741

Email vsusasales@vauth-sagel.com

Internet www.vauth-sagel.de/us/en



Imprint

All parts of this brochure are the property of Vauth-Sagel. Reproduction of the brochure or parts thereof in any form is prohibited without our approval. We reserve all rights under copyright law. Any liability for typographical mistakes or errors is excluded. The dimensions are non-binding. We reserve the right to make design and technical changes.

Publisher

Vauth-Sagel | Neue Straße 27 | 33034 Brakel-Erkeln | Telephone: +49 (0) 5272 601-01
Email: vs@vauth-sagel.com | www.vauth-sagel.com

Version: July 2024 | © by Vauth-Sagel | All Rights Reserved.

VAUTH-SAGEL USA LP

1821 Baker Road | High Point, NC 27263

+1 (336) 861 0740

vsusasales@vauth-sagel.com

www.vauth-sagel.com

Follow us on

