



**Coplanar Sliding Door System** ***SALICE***





**Slider S10** • Page 5



**Slider L70** • Page 29



**Slider S20** • Page 13



**Clipper** • Page 37



**Slider M50+** • Page 23



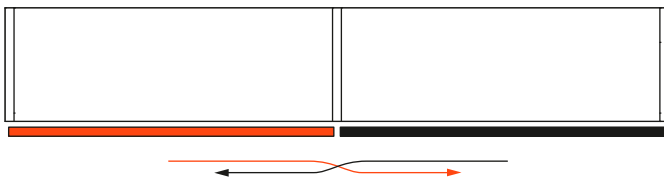


# Slider S10

Assembly instructions  
and order form



**Slider S10 - Wall and base cabinet**



**Coplanar sliding door system for double door wall and base cabinets with soft opening and soft closing feature.**

**Product overview**

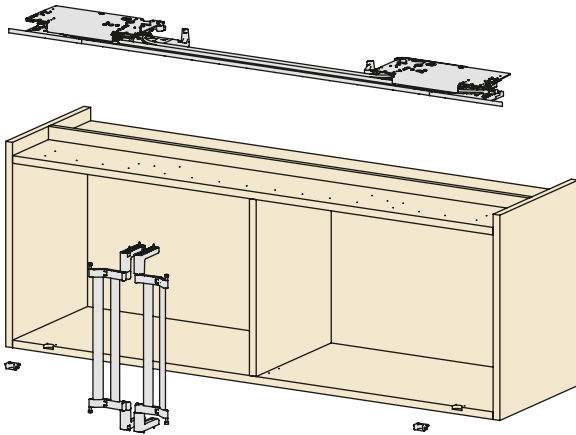
- For wood doors

**Tech features:**

- Max. weight capacity per door: 10 kg (22 lbs)
- Width of the door: min. 450 mm (17 - 11/16")  
max. 1200 mm (47 - 1/4")
- Max. height of the door: 800 mm (31 - 1/2")
- Thickness of the door: min. 16 mm (5/8")  
max. 30 mm (1 - 3/16")
- Max. thickness of the door with handle: 40 mm (1 - 9/16")
- Min. distance of the handle from the edge of the door: 10 mm (3/8")
- Door height adjustment:  $\pm 5.0$  mm ( $\pm 3/16$ ")
- Door side adjustment:  $\pm 2.5$  mm ( $\pm 1/8$ ")
- Door depth:
  - wall:  $\pm 2.0$  ( $\pm 1/16$ ")
  - base:  $\pm 2.5$  ( $\pm 1/8$ ")

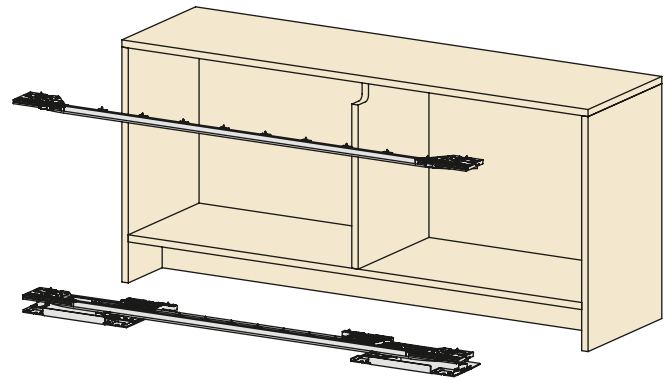
**Wall Cabinet**

Mechanism attached to the top of the cabinet.



**Base Cabinet**

Upper guide track attached under the top panel.



Mechanism attached under the bottom panel.

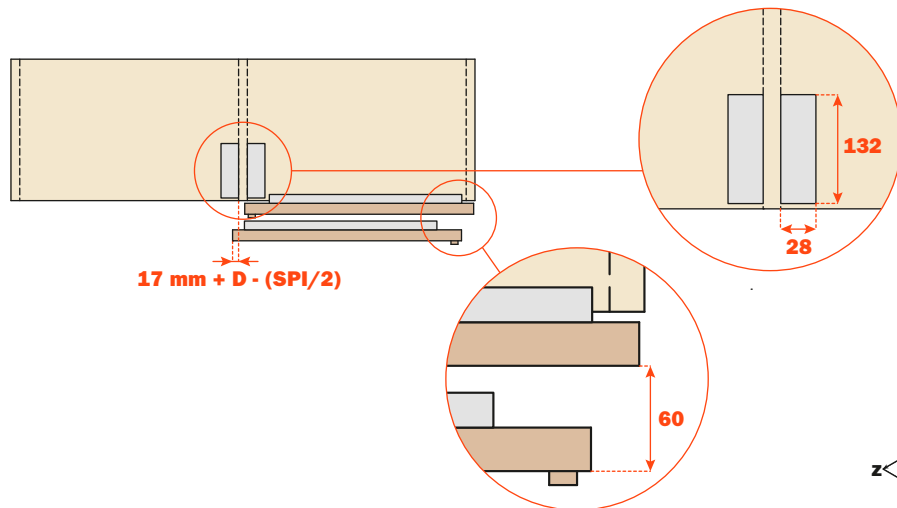
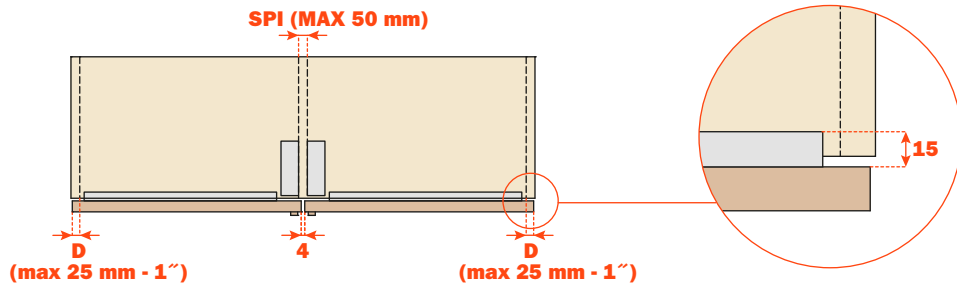
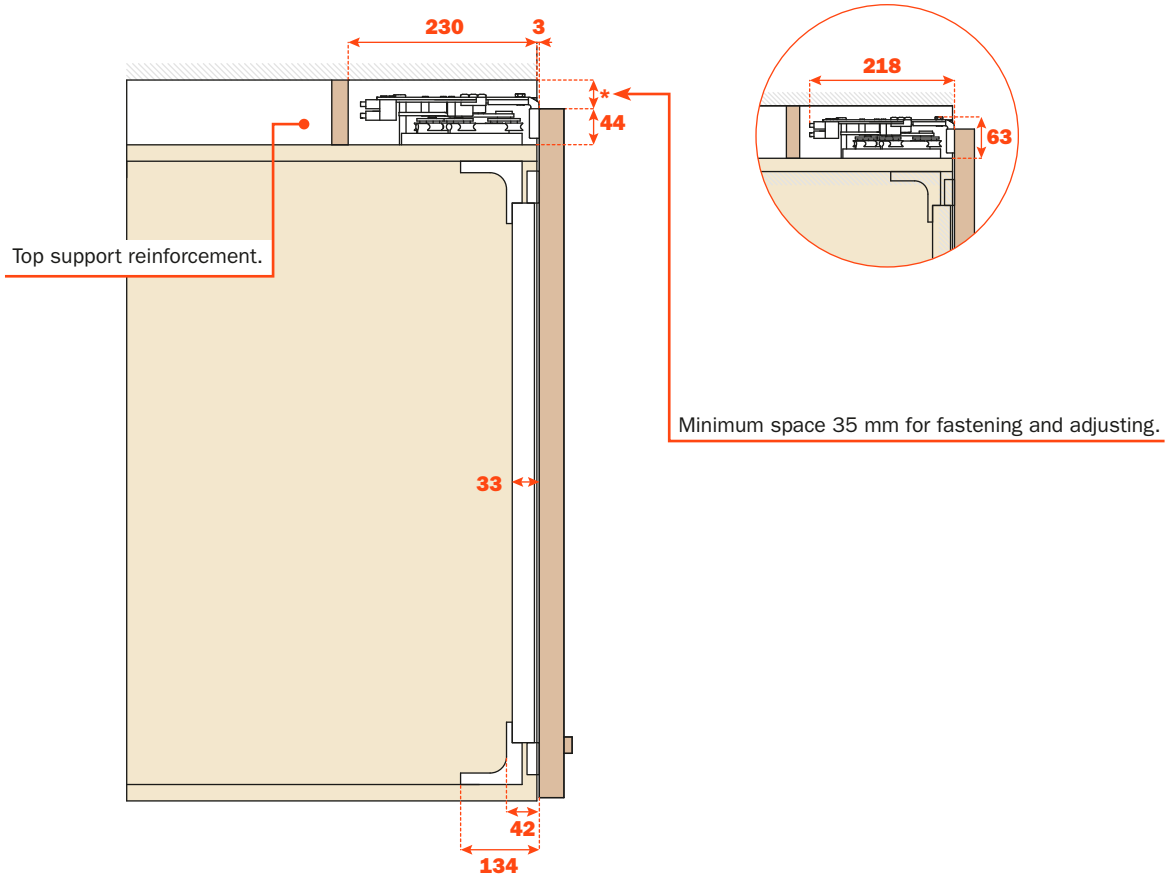
**KEY FEATURES:**

- Innovative sliding door system.
- Extremely easy to customize and assemble.
- Secured with screws. No need for machining the doors.
- Single-piece sliding track.
- Innovative suspended slider with double horizontal wheels.
- Soft opening and soft close feature.
- Full adjustment of the doors.

**CODE REFERENCES**

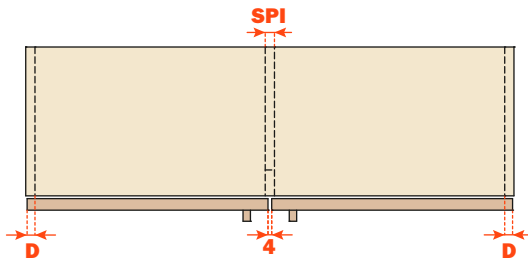
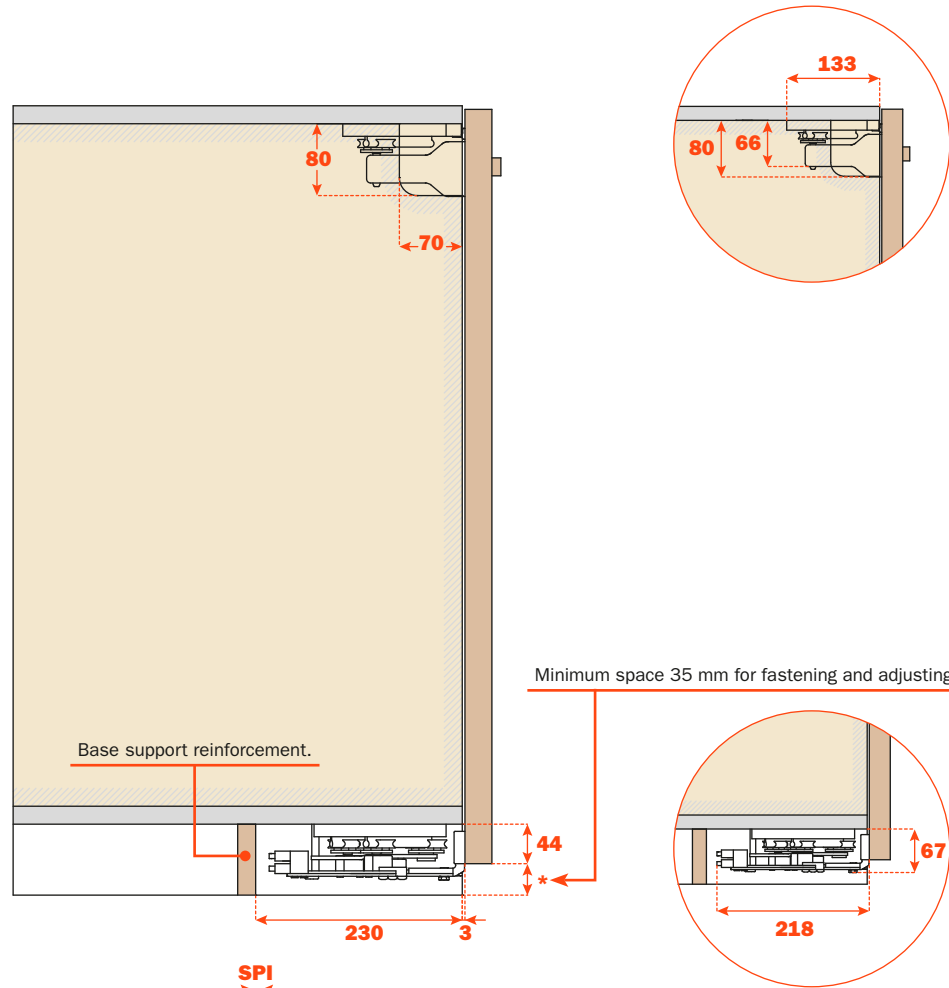
- LI** Internal cabinet width
- TL** Door width
- SPI** Center panel thickness
- D** Door overlay on side

# Wall Cabinet - Types of assembly

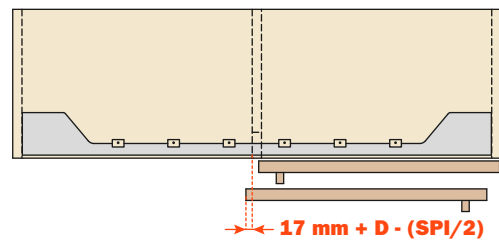


**Slider S10 - Types of assembly**

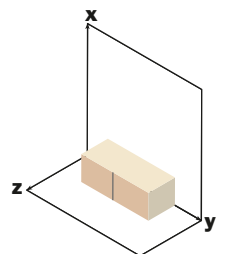
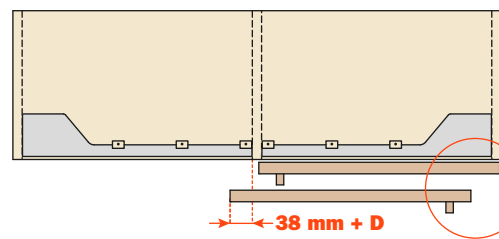
**Base Cabinet**



Single-piece sliding track.



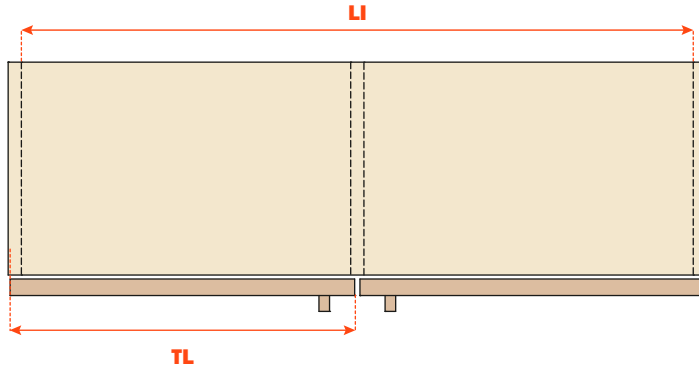
Two-piece sliding track  
(Only for custom orders).



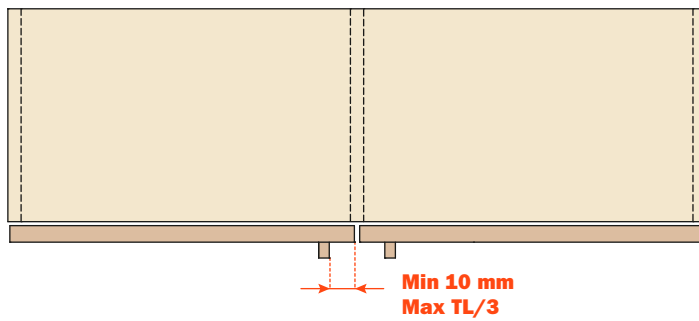


## Technical specifications

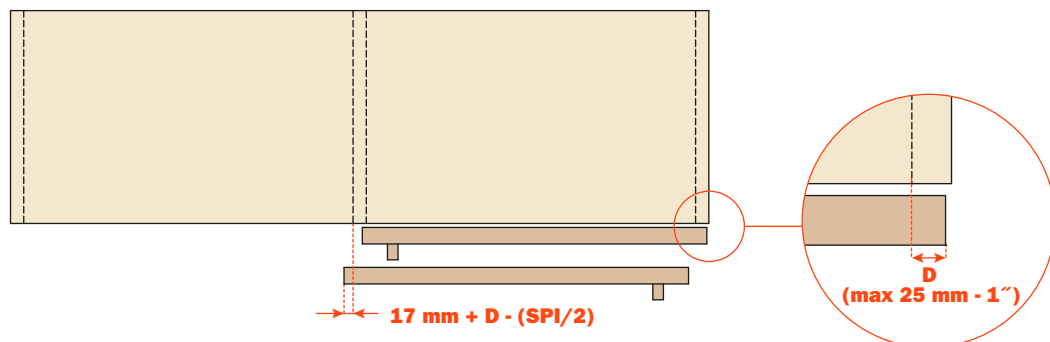
Slider S10 is a flexible system that can be adapted to the internal width of the cabinet (**LI**) with a minimum of 860 mm (33 - 7/8") to a maximum of 2400 mm (94 - 1/2").



The handle must be positioned at a minimum 10 mm (3/8") from the edge of the door and a maximum of one third of its width (**TL**).



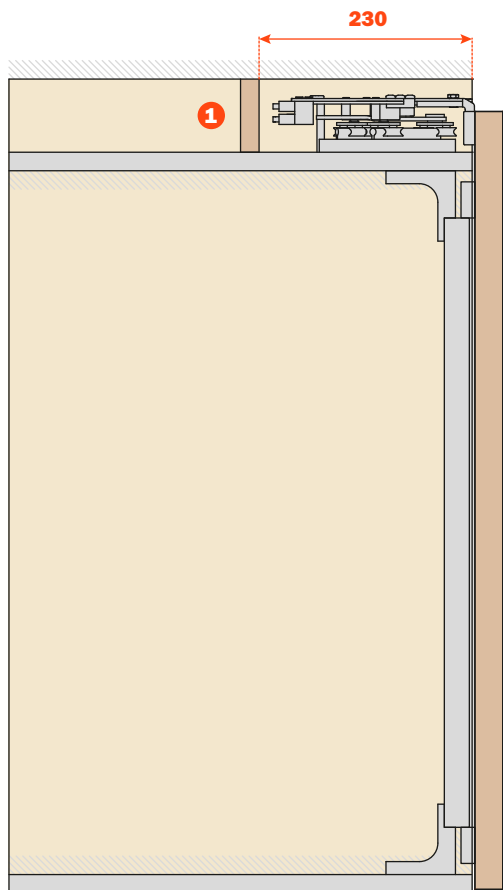
The maximum overlay on the side panel is 25 mm (1").



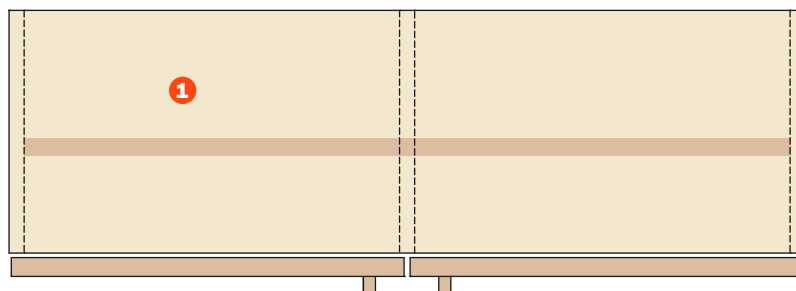
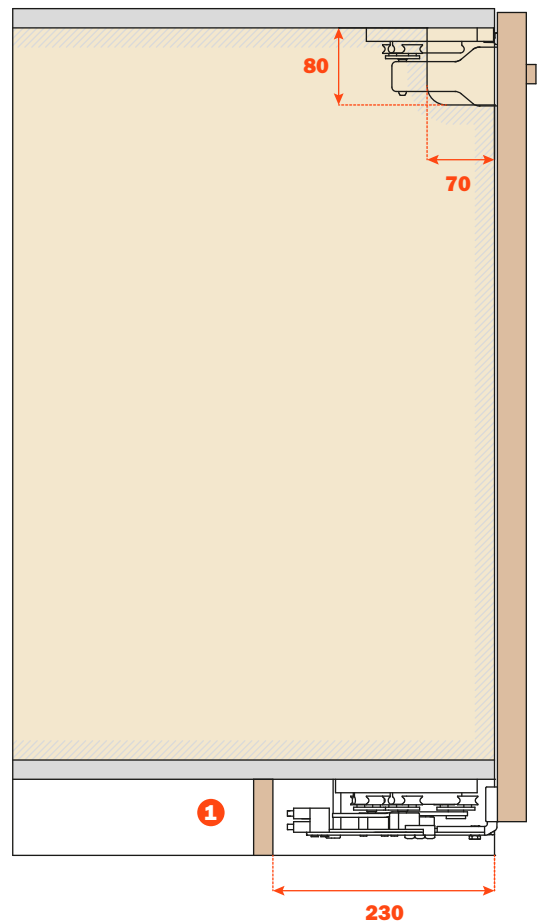
## Slider S10

The cabinet has to be constructed so that the bottom panel of the base unit, or the top panel of the wall unit is sufficiently rigid to prevent it from bending. For this reason, some reinforcement is always recommended **1**.

### Wall Cabinet



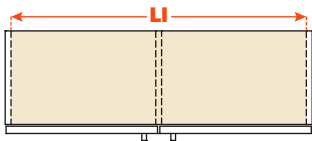
### Base Cabinet



## Product codes

### Slider S10

A solution for a whole range of applications that requires the aluminum and PVC profiles to be measured and cut, and the mechanism assembled. Depending on the internal width of the unit (**LI**), the mechanism is put together using a carriage kit **1** and a profile kit **2** and base cabinet **M** or wall cabinet **P** accessories.



		LI (mm)						
		860 ÷ 987	988 ÷ 1115	1116 ÷ 1371	1372 ÷ 1627	1628 ÷ 1883	1884 ÷ 2139	2140 ÷ 2400
<b>M</b> <b>P</b>	<b>1</b>	YE57KIT0101	<b>M</b> - <b>P</b>					
		YE57KIT0102		<b>M</b> - <b>P</b>				
		YE57KIT0103			<b>M</b> - <b>P</b>			
		YE57KIT0104				<b>M</b> - <b>P</b>		
		YE57KIT0105					<b>M</b> - <b>P</b>	
		YE57KIT0106						<b>M</b> - <b>P</b>
		YE57KIT0107						
<b>M</b>	<b>2</b>	YE57KIT0201	<b>M</b>	<b>M</b>	<b>M</b>	<b>M</b>		
		YE57KIT0202					<b>M</b>	<b>M</b>
<b>P</b>	<b>2</b>	YE57KIT0301	<b>P</b>	<b>P</b>	<b>P</b>	<b>P</b>		
		YE57KIT0302					<b>P</b>	<b>P</b>

**Slider S10**
**Packaging details**

	<b>Weight (kg)</b>	<b>Volume (m<sup>3</sup>)</b>	<b>Dimensions (mm)</b>
YE57KIT0101	6,05	0,0212	470 x 300 x 150
YE57KIT0102	6,40	0,0225	500 x 300 x 150
YE57KIT0103	6,74	0,0240	535 x 300 x 150
YE57KIT0104	7,43	0,0270	600 x 300 x 150
YE57KIT0105	8,12	0,0297	660 x 300 x 150
YE57KIT0106	8,81	0,0326	725 x 300 x 150
YE57KIT0107	9,50	0,0355	790 x 300 x 150
YE57KIT0201	3,80	0,0252	1750 x 160 x 90
YE57KIT0202	4,30	0,036	2500 x 160 x 90
YE57KIT0301	4,80	0,0252	1750 x 160 x 90
YE57KIT0302	5,30	0,036	2500 x 160 x 90

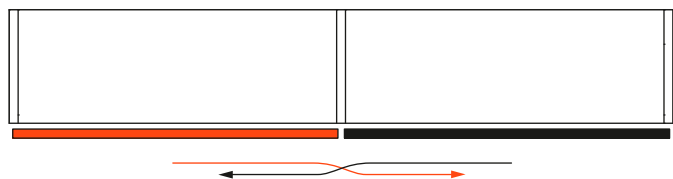


# Slider S20

Assembly instructions  
and order form



**Slider S20 - Wall cabinet**



**Coplanar sliding door system for double door wall cabinets with soft opening and soft closing feature.**

**Product overview**

- For wood or glass with aluminum-framed doors;

**Tech features:**

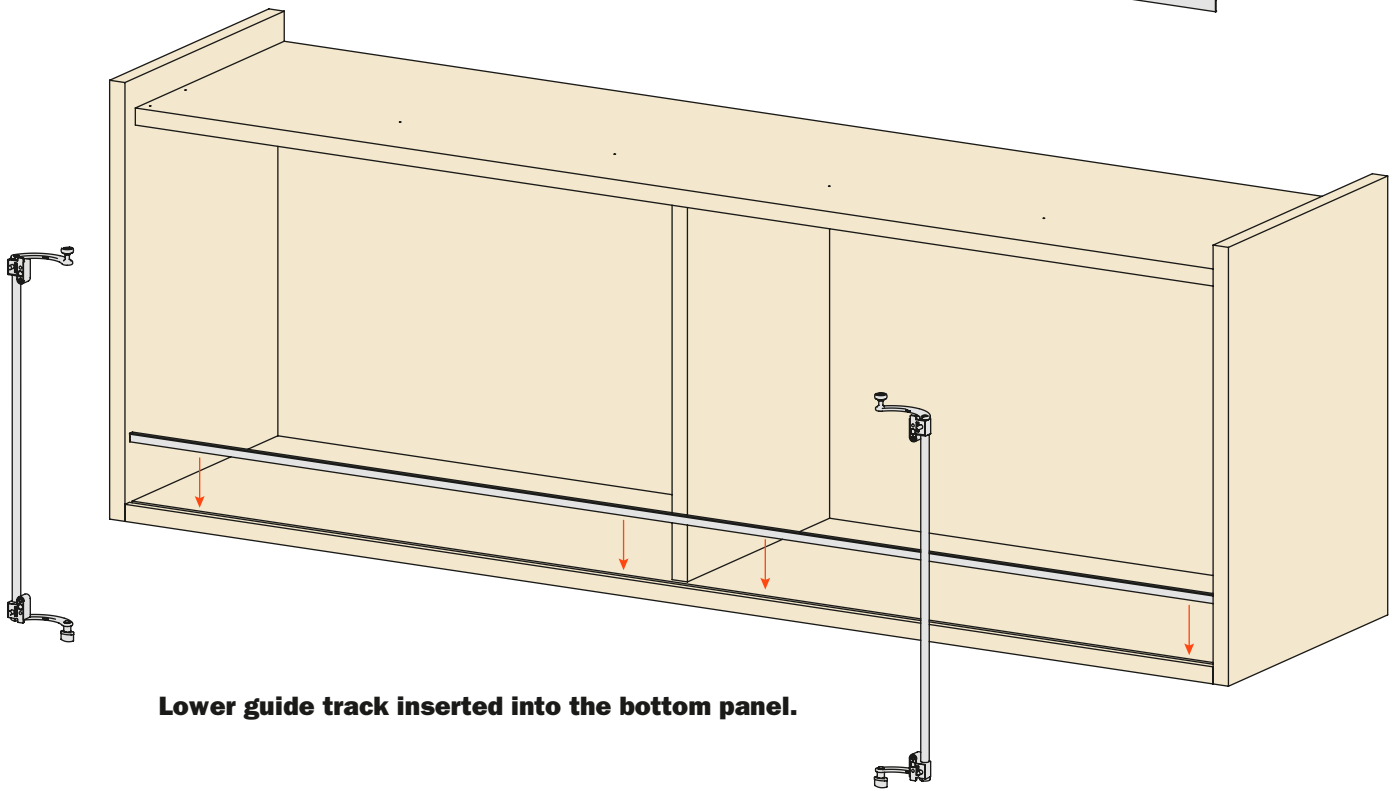
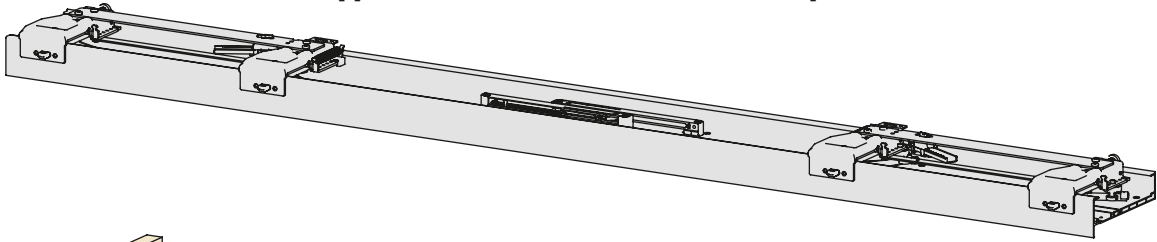
- Max. weight capacity per door: 20 kg (44 lbs)
- Width of the door: min. 600 mm (23 - 5/8"), max. 1500 mm (59")
- Max. height of the door: 1200 mm (47 - 7/32")
- Thickness of the door: min. 19 mm (3/4"), max. 30 mm (1 - 3/16")
- Max. thickness of the door with handle: 45 mm (1 - 3/4")
- Min. distance of the handle from the edge of the door: 10 mm (3/8")
- Door height adjustment:  $\pm 4.5\text{mm}$  ( $\pm 3/16"$ )
- Door side adjustment:  $\pm 3\text{mm}$  ( $\pm 1/8"$ )
- Available in single-door and/or custom widths only upon request as a custom order.

**System components**

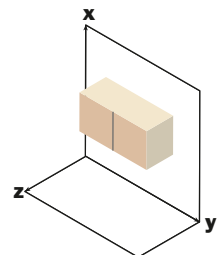


**Position the adjuster blocks on the doors.**

**Upper slide mechanism fixed to the top of the cabinet.**



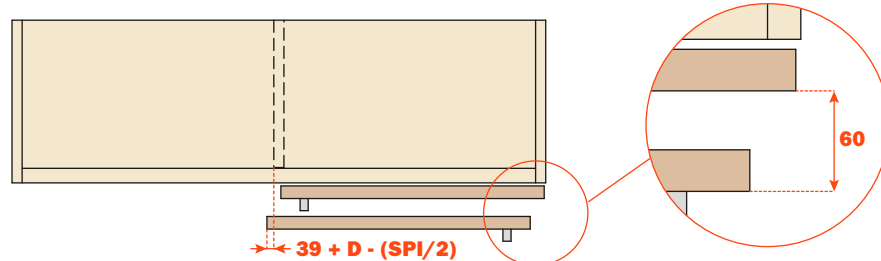
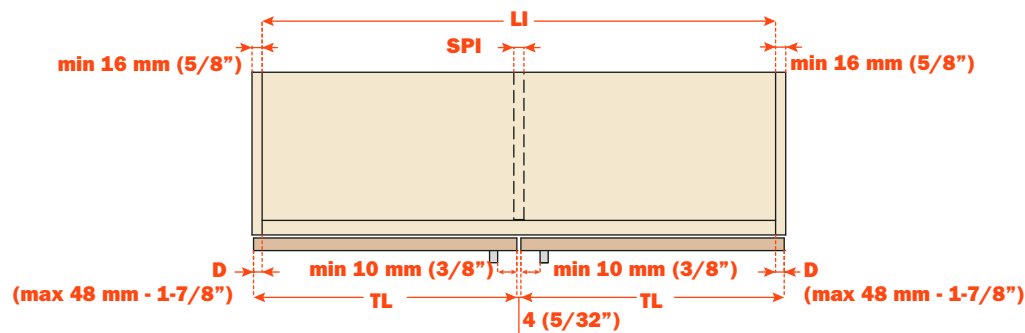
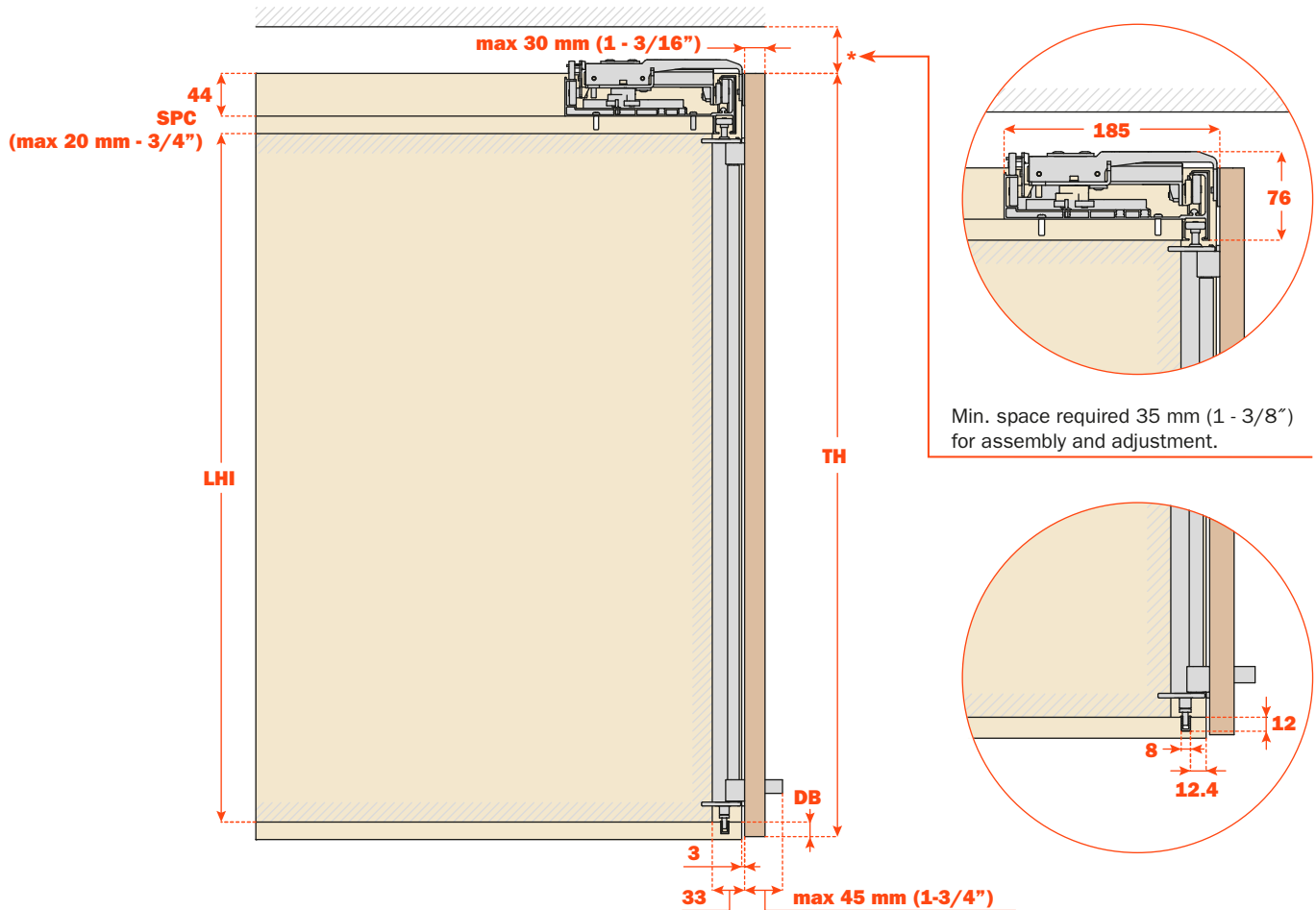
**Lower guide track inserted into the bottom panel.**



**Slider S20 - Wall cabinet**

**CODE REFERENCES**

- |            |                              |            |                            |
|------------|------------------------------|------------|----------------------------|
| <b>LI</b>  | Internal cabinet width       | <b>D</b>   | Door overlay on side panel |
| <b>TL</b>  | Door width                   | <b>SPC</b> | Top panel thickness        |
| <b>LHI</b> | Internal cabinet height      | <b>TH</b>  | Door height                |
| <b>SPI</b> | Center panel thickness       | <b>A/B</b> | See chart                  |
| <b>DB</b>  | Door overlay on bottom panel |            |                            |



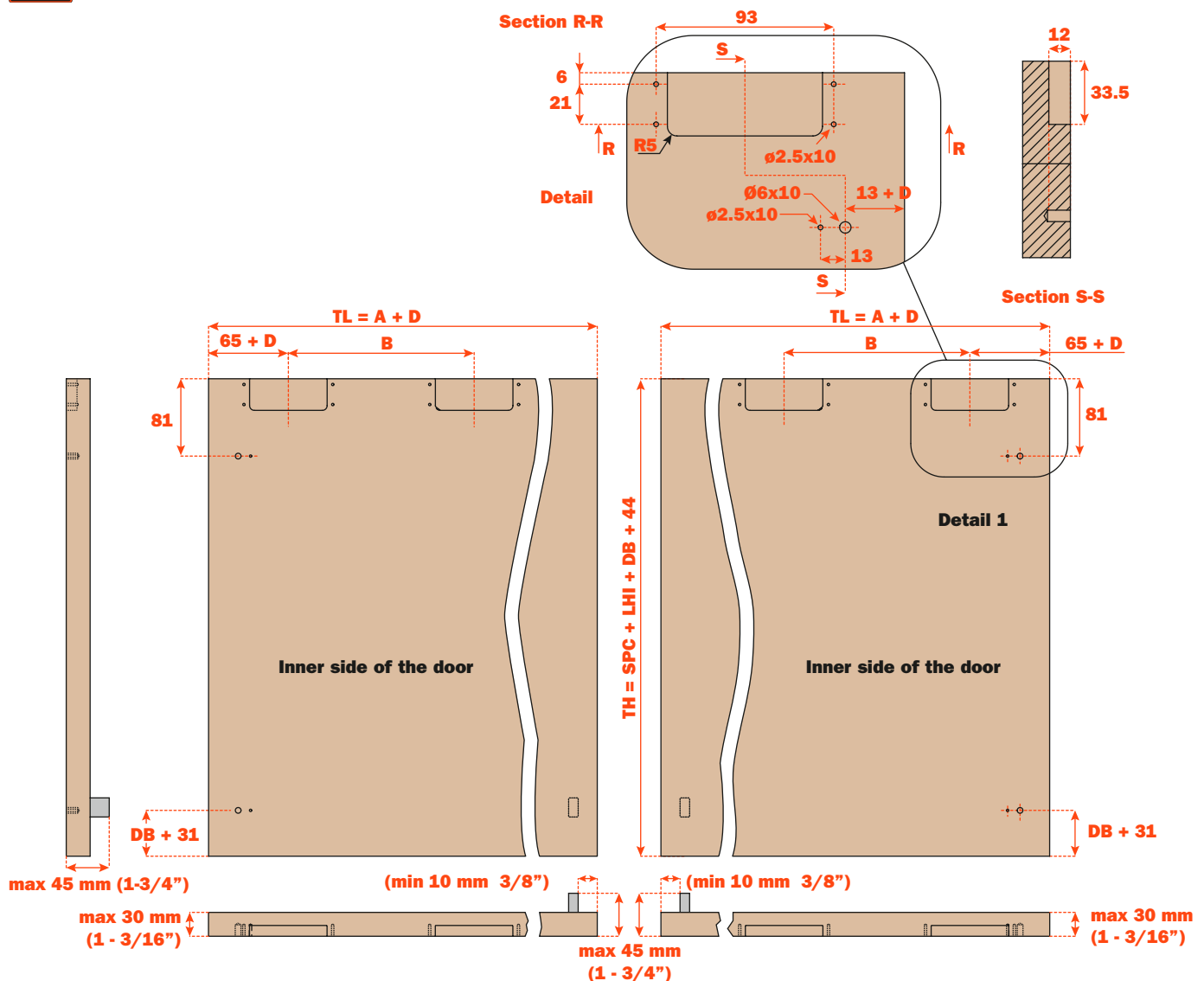


## Product codes and assembly specifications

Item	Mechanism Length mm	LI	Overlay (SAE) mm	A	B	Packaging	
						Weight Kg	Dimensions cm
YE292AP1200SA	1161	1162	1 - 48	579	205.5	6.6	131 x 22 x 10
YE292AP1400SA	1361	1362	1 - 48	679	255.5	7.7	151 x 22 x 10
YE292AP1600SA	1561	1562	1 - 48	779	305.5	8.9	171 x 22 x 10
YE292AP1800SA	1761	1762	1 - 48	879	355.5	10	181 x 22 x 10
YE292AP2000SA	1961	1962	1 - 48	979	405.5	11	211 x 22 x 10
YE292AP2200SA	2161	2162	1 - 48	1079	455.5	11.9	231 x 22 x 10
YE292AP2400SA	2361	2362	1 - 48	1179	505.5	12.8	251 x 22 x 10
YE292AP2600SA	2561	2562	1 - 48	1279	555.5	14.3	271 x 22 x 10
YE292AP2800SA	2761	2762	1 - 48	1379	605.5	15.4	291 x 22 x 10
YE292AP3000SA	2961	2962	1 - 48	1479	655.5	16.4	311 x 22 x 10
YE29DP00048SU	1179	1180	1 - 48	588	210	7.7	133,4 x 20 x 8,5
YE29DP00060SU	1484	1485	1 - 48	740,5	286	10	164 x 20 x 8,5
YE29DP00072SU	1789	1790	1 - 48	893	362,5	11	194,4 x 20 x 8,5



**As you are in the design phase it will be important to determine the weight of your doors and provide for it with adequate panels thickness.**



**Slider S20 - Base cabinet**



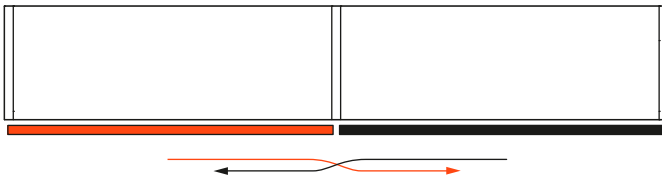
**Coplanar Sliding Door System for double door base cabinets with soft opening and soft closing feature.**

**Product overview**

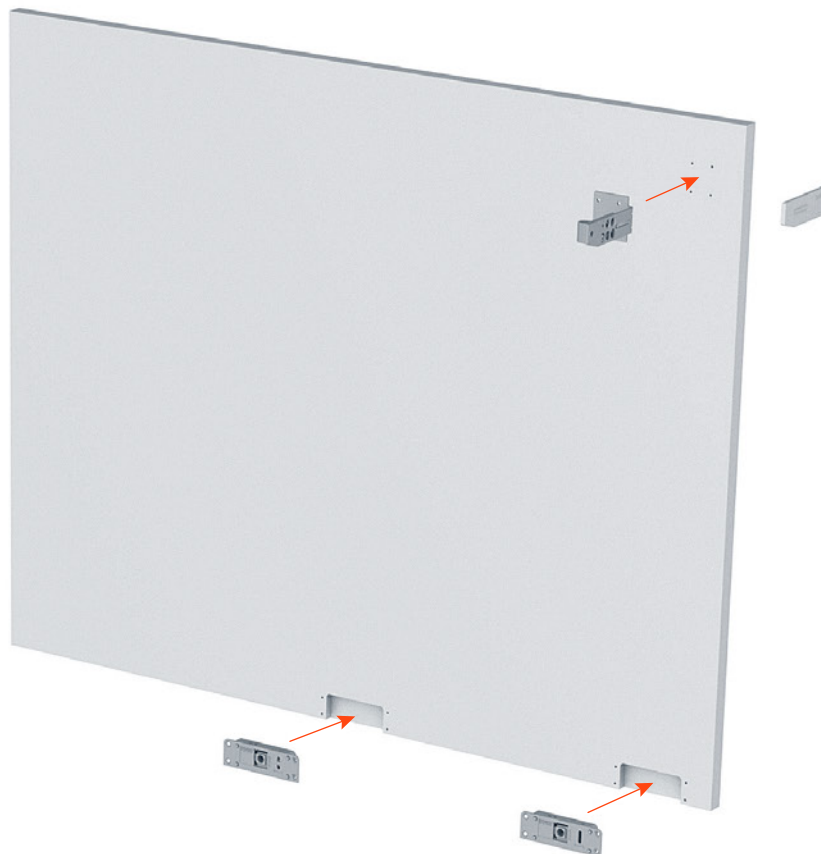
- For wood or glass with aluminum-framed doors

**Tech features:**

- Max. weight capacity per door: 20 kg (44 lbs)
- Width of the door: min. 600 mm (23 - 5/8"), max. 1500 mm (59")
- Max. height of the door: 1200 mm (47 - 7/32")
- Thickness of the door: min. 19 mm (3/4"), max. 30 mm (1 - 3/16")
- Max. thickness of the door with handle: 45 mm (1 - 3/4")
- Min. distance of the handle from the edge of the door: 10 mm (3/8")
- Door height adjustment:  $\pm 4.5\text{mm}$  ( $\pm 3/16"$ )
- Door side adjustment:  $\pm 3\text{mm}$  ( $\pm 1/8"$ )
- Push release version kit available
- Available in single-door and/or custom width versions only upon request as a custom order.

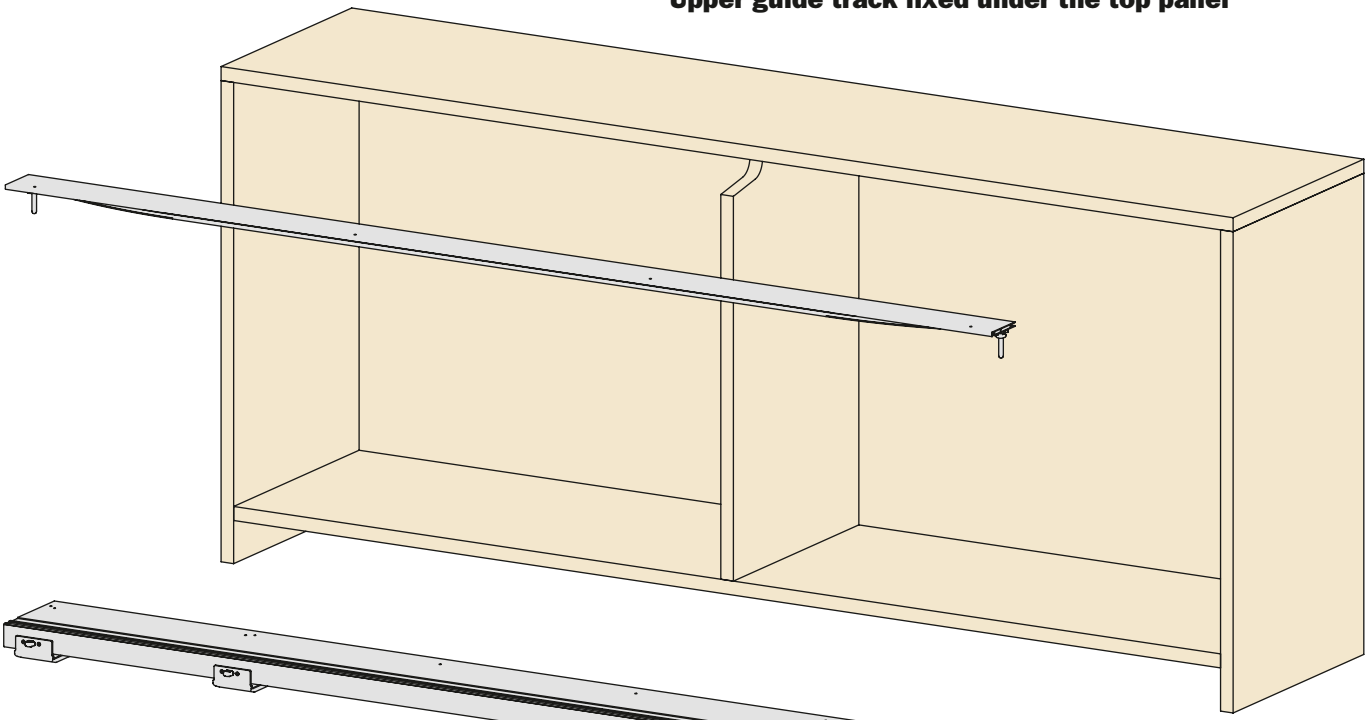


**System components**

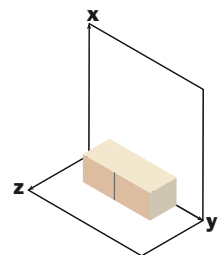
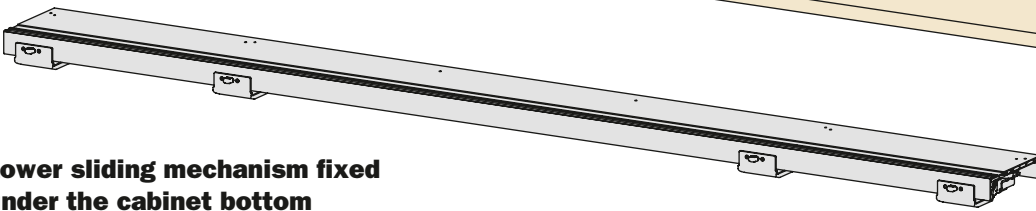


**Position the adjuster blocks on the doors**

**Upper guide track fixed under the top panel**



**Lower sliding mechanism fixed under the cabinet bottom**

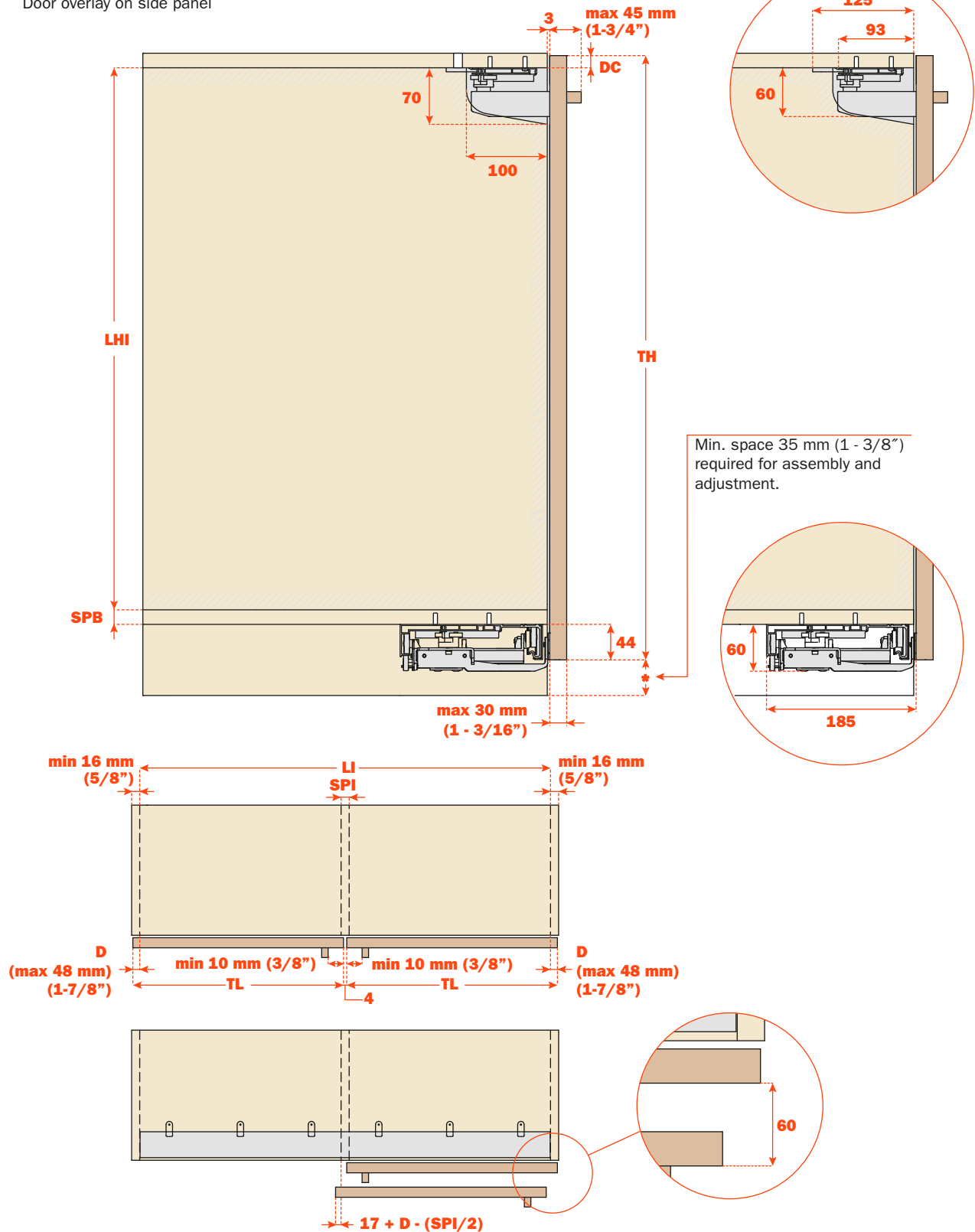


**Slider S20 - Base cabinet**

**CODE REFERENCES**

- LI** Internal cabinet width
- TL** Door width
- LHI** Internal cabinet height
- SPI** Central panel thickness
- D** Door overlay on side panel

- DC** Door overlay on top panel
- SPB** Bottom panel thickness
- TH** Door height
- A/B** See chart

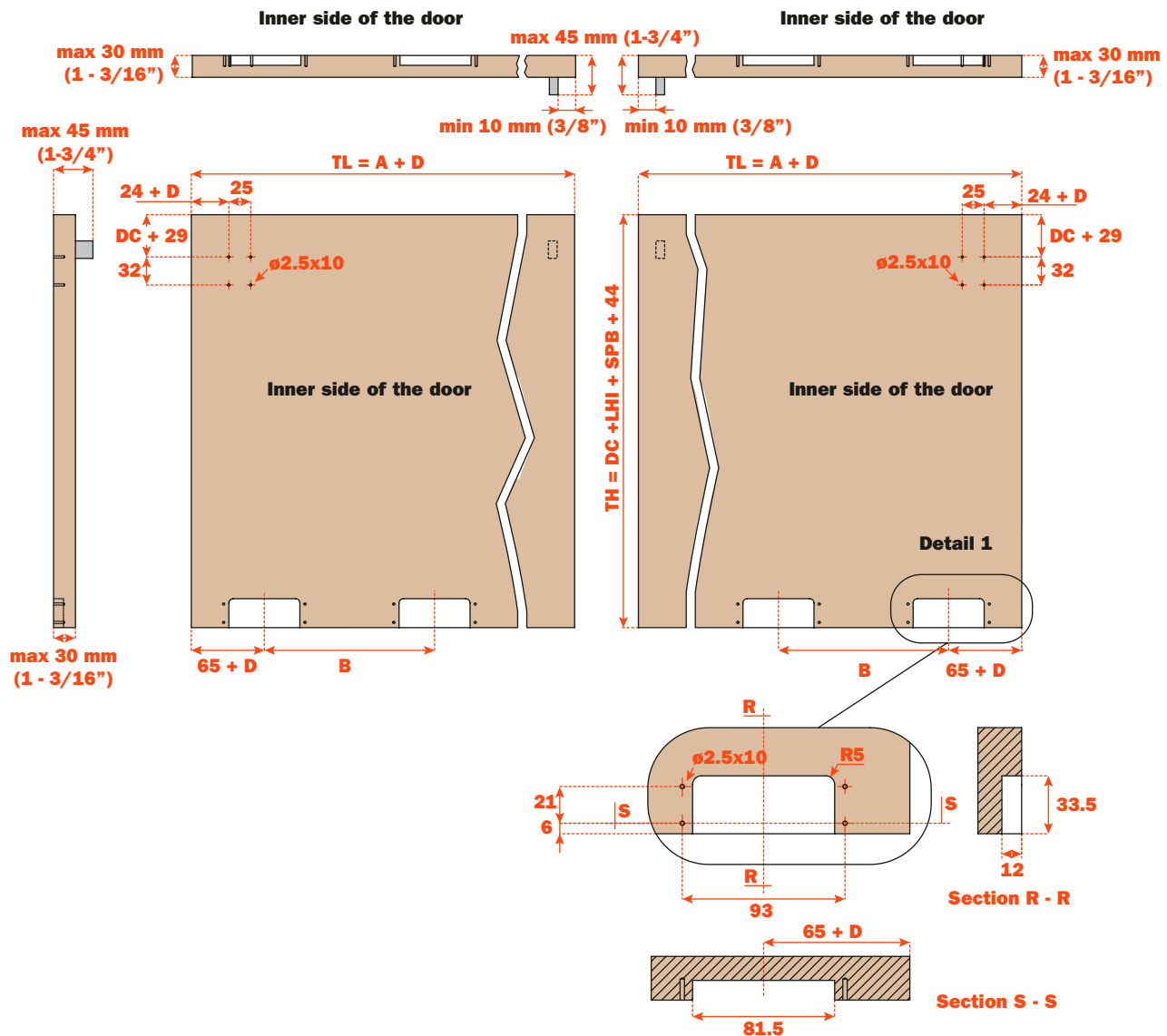


## Product codes and assembly specifications

Item	Mechanism Length mm	LI	Overlay (SAE) mm	A	B	Packaging	
						Weight kg	Dimensions cm
YE292AM1200SA	1161	1162	1 - 48	579	194.5	6.6	131 x 22 x 10
YE292AM1400SA	1361	1362	1 - 48	679	244.5	7.7	151 x 22 x 10
YE292AM1600SA	1561	1562	1 - 48	779	294.5	8.9	171 x 22 x 10
YE292AM1800SA	1761	1762	1 - 48	879	344.5	10	181 x 22 x 10
YE292AM2000SA	1961	1962	1 - 48	979	394.5	11	211 x 22 x 10
YE292AM2200SA	2161	2162	1 - 48	1079	444.5	11.9	231 x 22 x 10
YE292AM2400SA	2361	2362	1 - 48	1179	494.5	12.8	251 x 22 x 10
YE292AM2600SA	2561	2562	1 - 48	1279	544.5	13.8	271 x 22 x 10
YE292AM2800SA	2761	2762	1 - 48	1379	594.5	14.9	291 x 22 x 10
YE292AM3000SA	2961	2962	1 - 48	1479	644.5	15.9	311 x 22 x 10
YE29DM00048SU	1179	1180	1 - 48	588	199	8,1	135 x 20x8,5
YE29DM00060SU	1484	1485	1 - 48	740,5	275	10,4	166,4 x 20 x 8,5
YE29DM00072SU	1789	1790	1 - 48	893	351,5	11,4	197 x 20 x 8,5



As you are in the design phase it will be important to determine the weight of your doors and provide for it with adequate panels thickness.





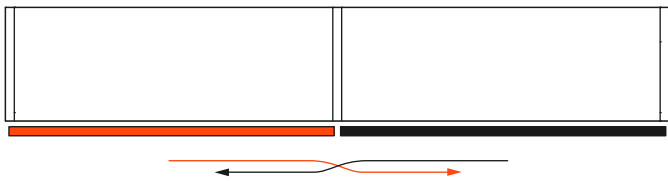


# Slider M50+

Assembly instructions  
and order form



**Slider M50+**



**Coplanar Sliding Door System for tall double door cabinets with soft opening and closing feature with magnetic technology.**

**Product overview**

**For wood or glass with aluminum-framed doors**

**Tech features:**

- Maximum weight capacity per door: 50 Kg (110 lbs)
- Width of the door: min 600 mm (23 - 5/8")  
max 2000 mm (78 - 3/4")
- Height of the door from floor level: 17 mm (11/16")
- Thickness of the door: min. 19 mm (3/4"), max. 30 mm (1 - 3/16")
- Max. thickness of the door with handle: 45 mm (1 - 3/4")
- Door height adjustment: ± 5 mm (3/16")
- Door side adjustment: ± 3.5 mm (1/8")
- Compatible with our Clipper-aluminum door system
- Available in single-door and/or custom-width versions only upon request as a custom order.

**Specifications for mechanisms with overall lengths between 1199 mm (47 - 7/32") and 1599 mm (63")**

- Max. door height: 2400 mm (94 - 1/2")
- Adaptability to cabinets up to 100 mm (4") wider than the track

**Specifications for mechanisms with overall lengths between 1600 mm (63") and 1999 mm (78 - 3/4")**

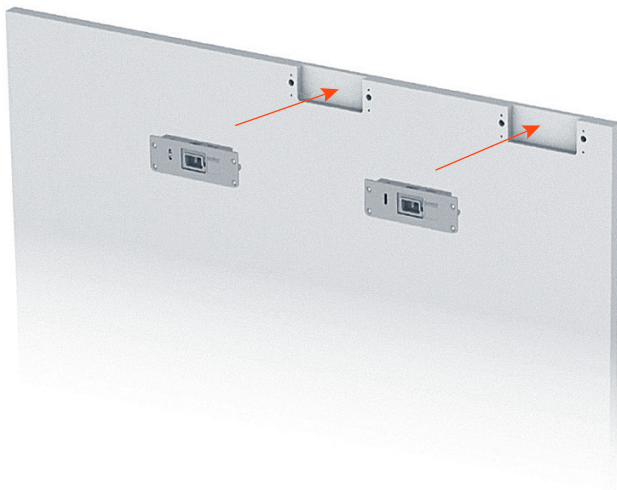
- Max. door height: 2700 mm (106 - 19/64")
- Adaptability to cabinets up to 200 mm (7 - 7/8") wider than the track

**Specifications for mechanisms with overall lengths between 2000 mm (78 - 3/4") - 2799 mm (110 - 3/16")**

- Max. door height: 3000 mm (118 - 1/8")
- Adaptability to cabinets up to 200 mm (7 - 7/8") wider than the track

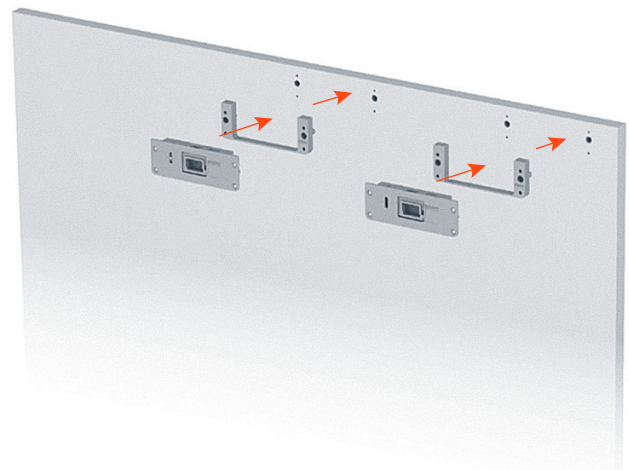
**Recess-mounted adjusters**

Door thickness: min 19 mm (3/4"), max. 45 mm (1 - 3/4") (including handle protrusion)



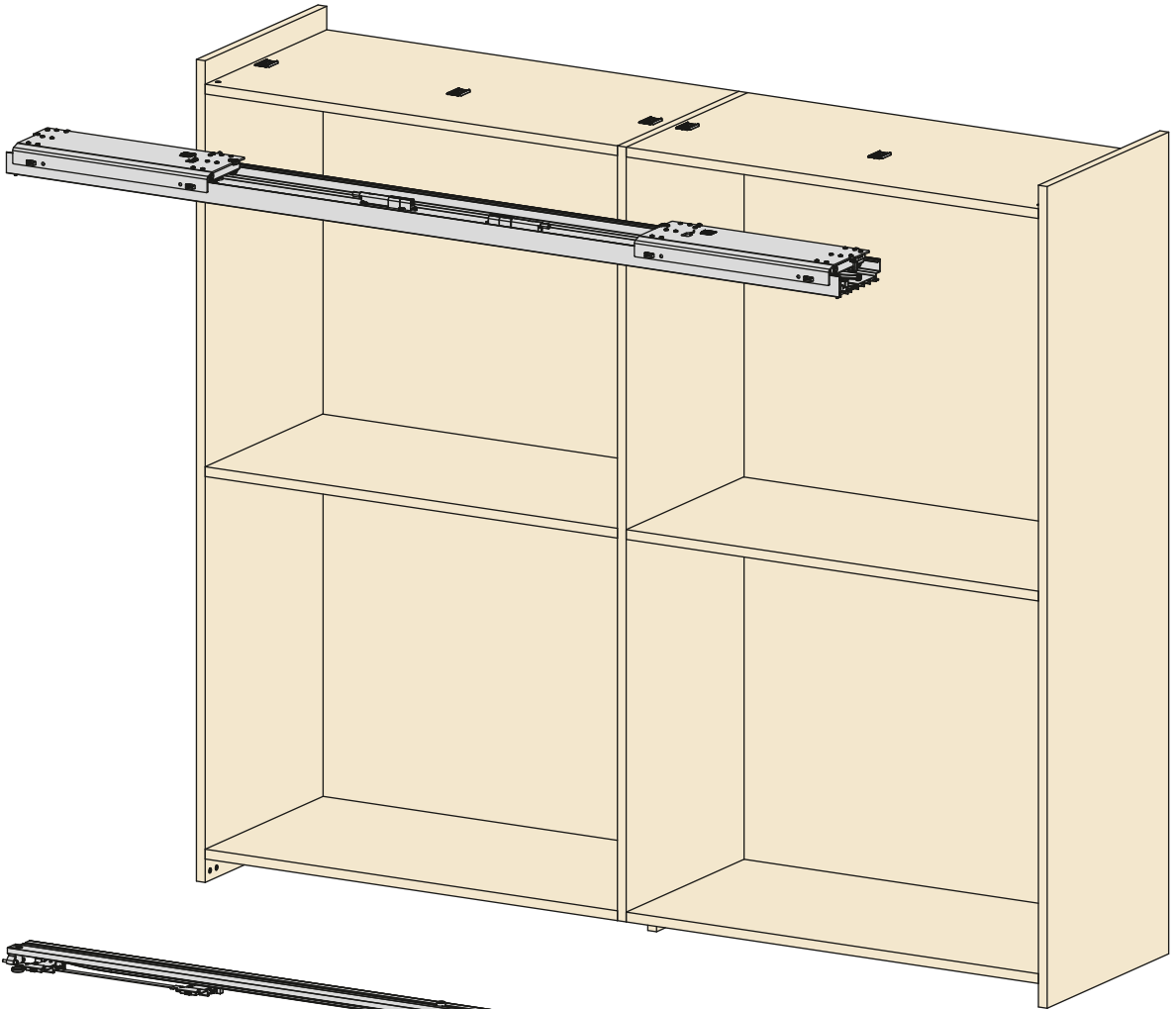
**surface-mounted adjusters**

Door thickness: min 19 mm (3/4"), max. 40 mm (1 - 9/16") (including handle protrusion)

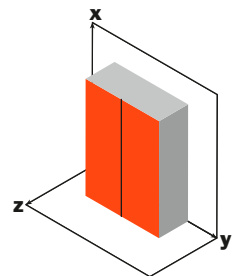




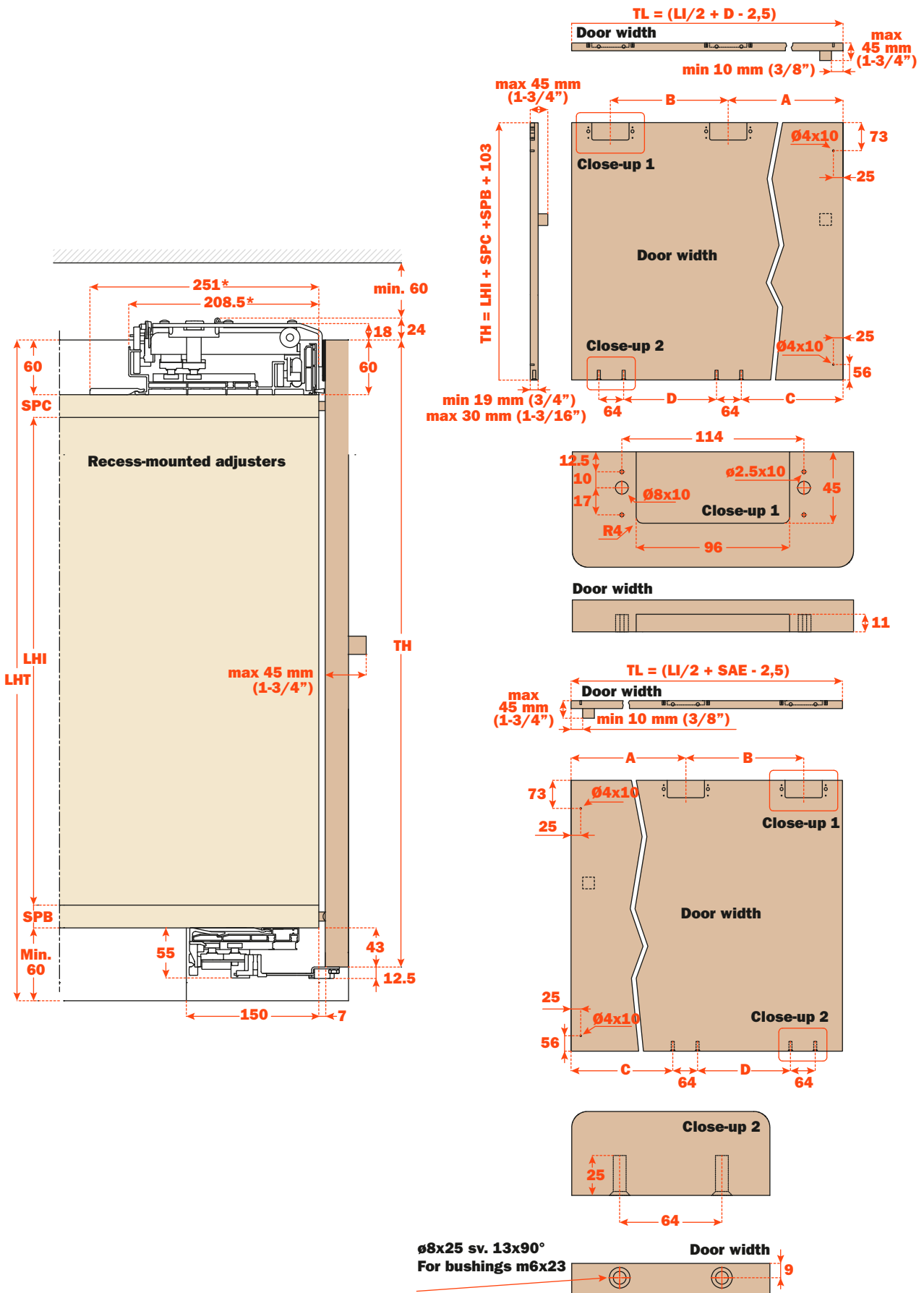
**Upper sliding mechanism fixed to the top of the cabinet**

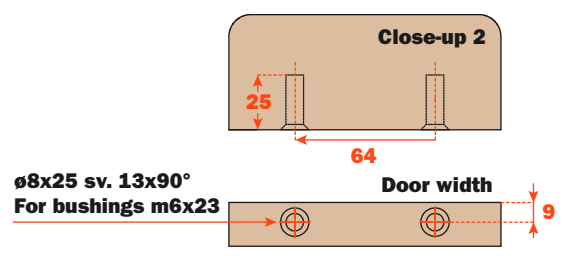
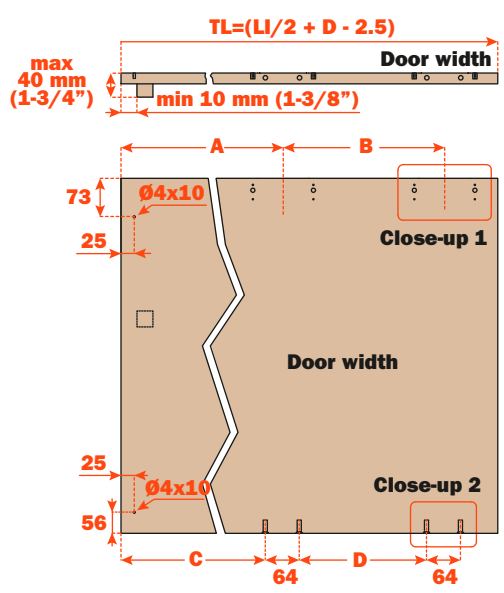
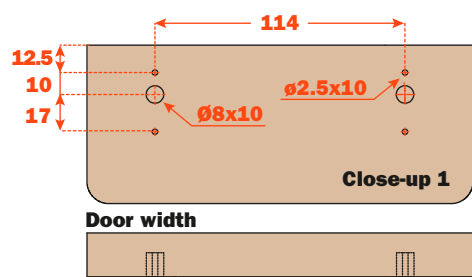
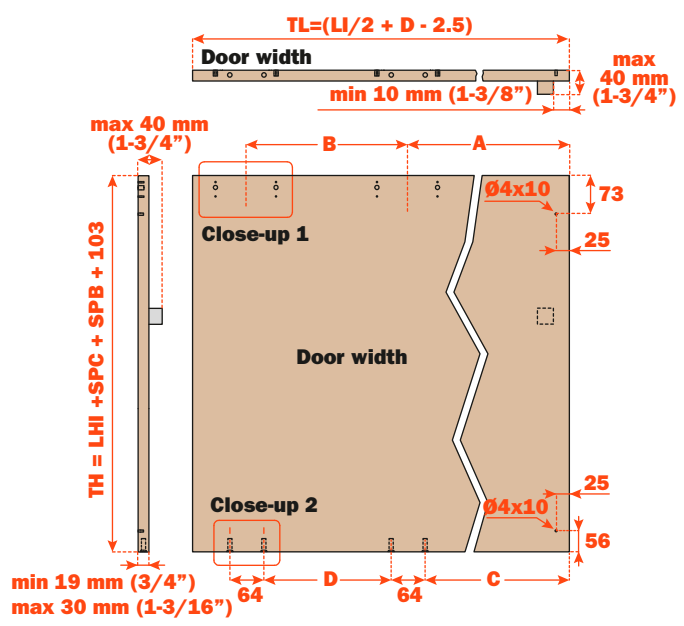
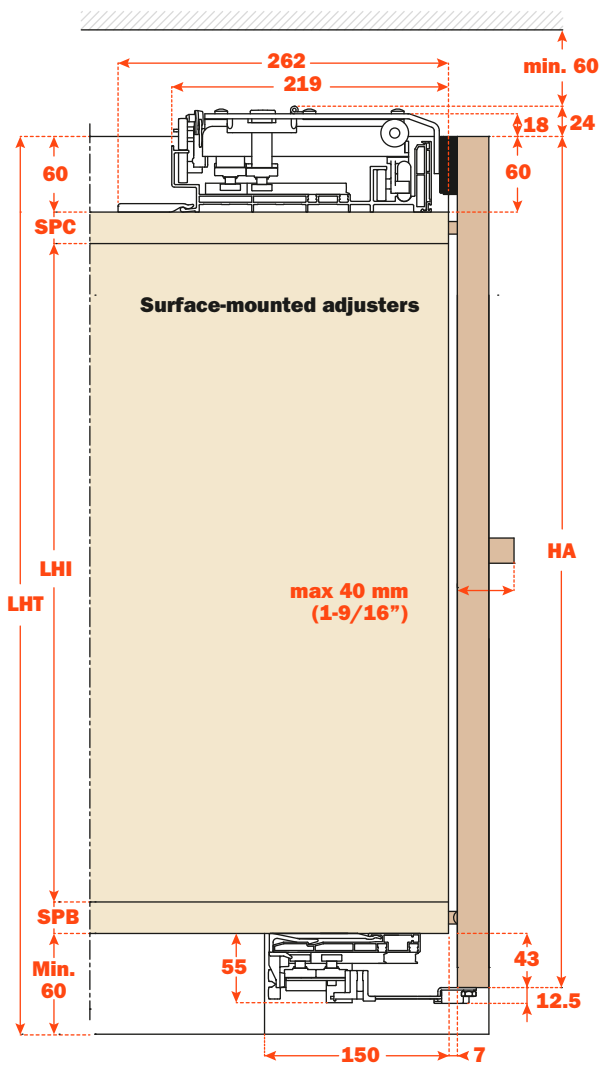


**Lower sliding mechanism  
fixed under the cabinet bottom**



**Slider M50+ • Product codes and assembly specifications**





**Slider M50+ - Product codes and assembly specifications**

Item #	Track length (Cp) mm	Li	Overlay (SAE) mm	A	B	C	D	Packaging		Clipper frame	Max door Height mm
								Kg	cm		
YE51FC01200SU	1199	1200 - 1300	1 - 25	344	179	310.4	126.6	17.8	132 x 25 x 17	NO	2400
YE51FC01300SU	1299	1300 - 1400	1 - 25	369	204	335.4	151.6	18.7	142 x 25 x 17	NO	2400
YE51FC01400SU	1399	1400 - 1500	1 - 25	394	204	360.4	151.6	19.6	152 x 25 x 17	NO	2400
YE51FC01500SU	1499	1500 - 1600	1 - 25	419	254	385.4	176.6	20.7	162 x 25 x 17	NO	2400
YE51FC01600SU	1599	1600 - 1800	1 - 25	444	254	410.4	176.6	21.5	172 x 25 x 17	YES	2700
YE51FC01800SU	1799	1800 - 2000	1 - 25	494	304	460.4	226.6	23.3	192 x 25 x 17	YES	2700
YE51FC02000SU	1999	2000 - 2200	1 - 25	544	354	510.4	276.6	25	212 x 25 x 17	YES	3000
YE51FC02200SU	2199	2200 - 2400	1 - 25	594	404	560.4	326.6	26.8	232 x 25 x 17	YES	3000
YE51FC02400SU	2399	2400 - 2600	1 - 25	644	454	610.4	376.6	28.6	252 x 25 x 17	YES	3000
YE51FC02600SU	2599	2600 - 2800	1 - 25	694	504	660.4	426.6	30.5	272 x 25 x 17	YES	3000
YE51FC02800SU	2799	2800 - 3000	1 - 25	744	554	710.4	476.6	32.3	292 x 25 x 17	YES	3000
YE51FC03000SU	2999	3000 - 3200	1 - 25	794	604	760.4	526.6	34.1	312 x 25 x 17	YES	3000
YE51FC03200SU	3199	3200 - 3400	1 - 25	844	654	810.4	576.6	35.9	322 x 25 x 17	NO	3000
YE51FC03400SU	3399	3400 - 3600	1 - 25	894	704	860.4	626.6	37.7	352 x 25 x 17	NO	3000
YE51FC03600SU	3599	3600 - 3800	1 - 25	944	754	910.4	676.6	39.5	372 x 25 x 17	NO	3000
YE51FC03800SU	3799	3800 - 4000	1 - 25	994	804	960.4	726.6	41.3	392 x 25 x 17	NO	3000



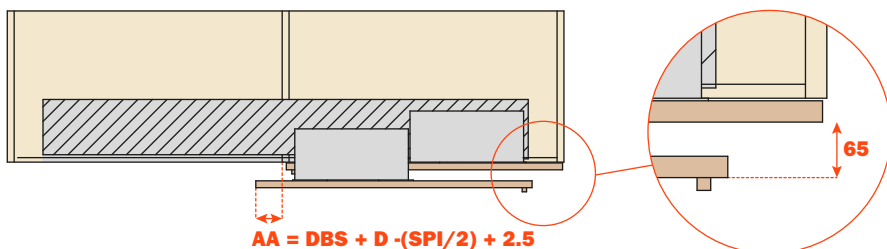
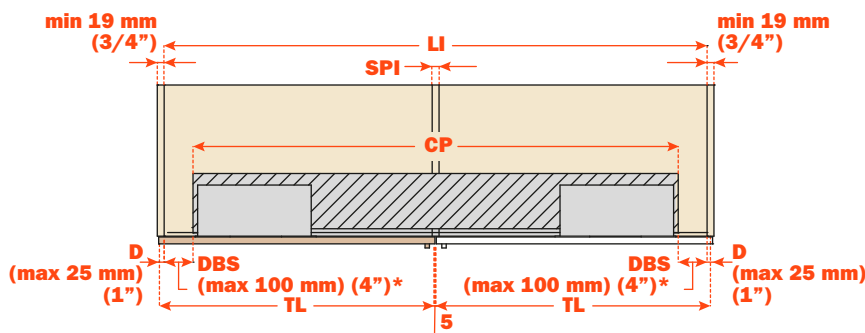
As you are in the design phase it will be important to determine the weight of your doors and provide for it with adequate panels thickness.

The M50 + Stock size slider mechanisms can be installed on a carcass which may exceed the dimensions of the track itself by 100/200 mm (4" to 7 - 7/8"). The protrusion of the door in an open position is described with the formula:  
 $DBS + SAE - (SPI/2) + 2.5$

**CODE REFERENCES**

- LI** Internal cabinet width
- TL** Door width
- LHI** Internal cabinet height
- SPI** Support panel thickness
- D** Door overlay on side panel
- SPC** Top panel thickness
- SPB** Bottom panel thickness
- TH** Door height
- LHT** Total cabinet height
- DBS** Space between track and side panel
- CP** Track length
- AA** Door protrusion

\* **DBS** max 50 mm (2") for mechanisms between 1199 mm (47 - 7/32") and 1499 mm (59")





# Slider L70

Assembly instructions  
and order form



**Slider L70**



**Coplanar Sliding Door System for tall double door cabinets with soft door opening and soft closing feature with magnetic technology -heavy duty.**

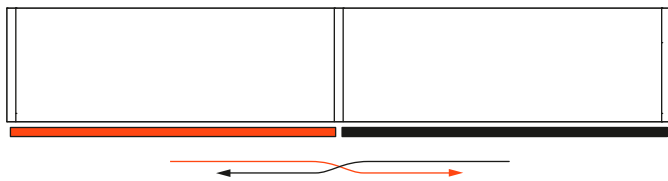
**Product overview**

**- For wood or glass with aluminum-framed doors**

**Tech features:**

- Max. weight capacity per door: 70 kg (154 lbs)
- Width of the door: min. 800 mm (31 - 1/2")  
max. 2000 mm (78 - 3/4")
- Max. height of the door: 3000 mm (118 - 1/8")
- Height of the door from floor level: 33 mm (1 - 11/32")
- Min. thickness of the door: min. 19 mm (3/4")
- Max. thickness of the door with handle: 45 mm (1 - 3/4")
- Door height adjustment:  $\pm 5$  mm ( $\pm 3/16$ " )
- Door side adjustment:  $\pm 3.5$  mm ( $\pm 1/8$ " )
- Door distance from the floor level 33 mm (1 - 11/32")
- Compatible with our Clipper-aluminum door system
- Available for cabinets with dimensions up to 200 mm (7 - 7/8") longer than the mechanism
- Front levelling feet

**- Applications with 3 doors possible only upon request as a custom order**

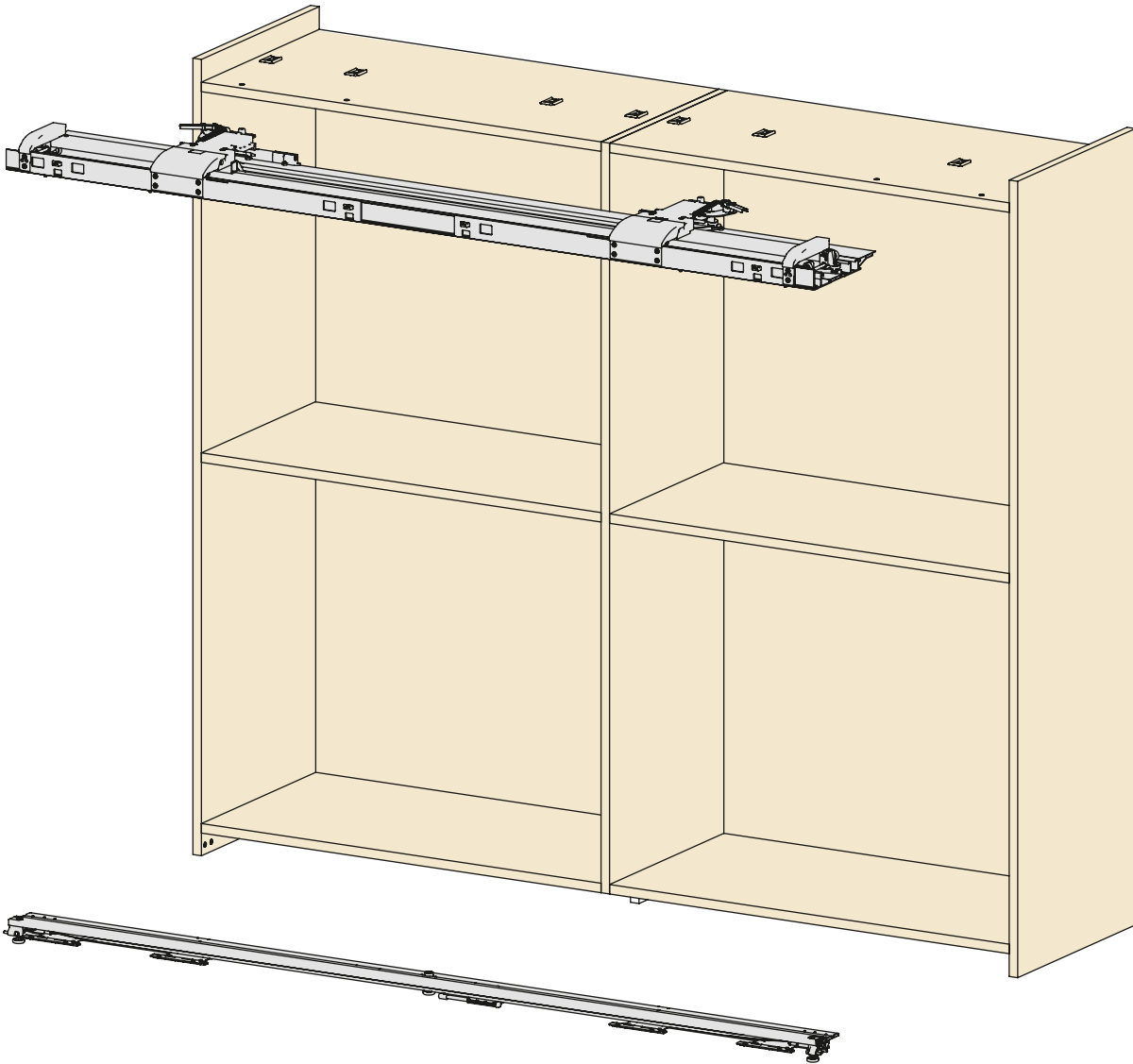


**System components**

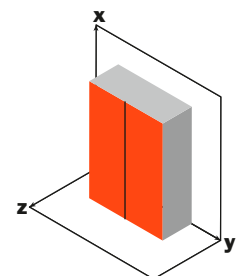


**Position the adjuster blocks on the doors**

**Upper sliding mechanism fixed to the top of the cabinet**



**Lower sliding mechanism fixed under the cabinet bottom**

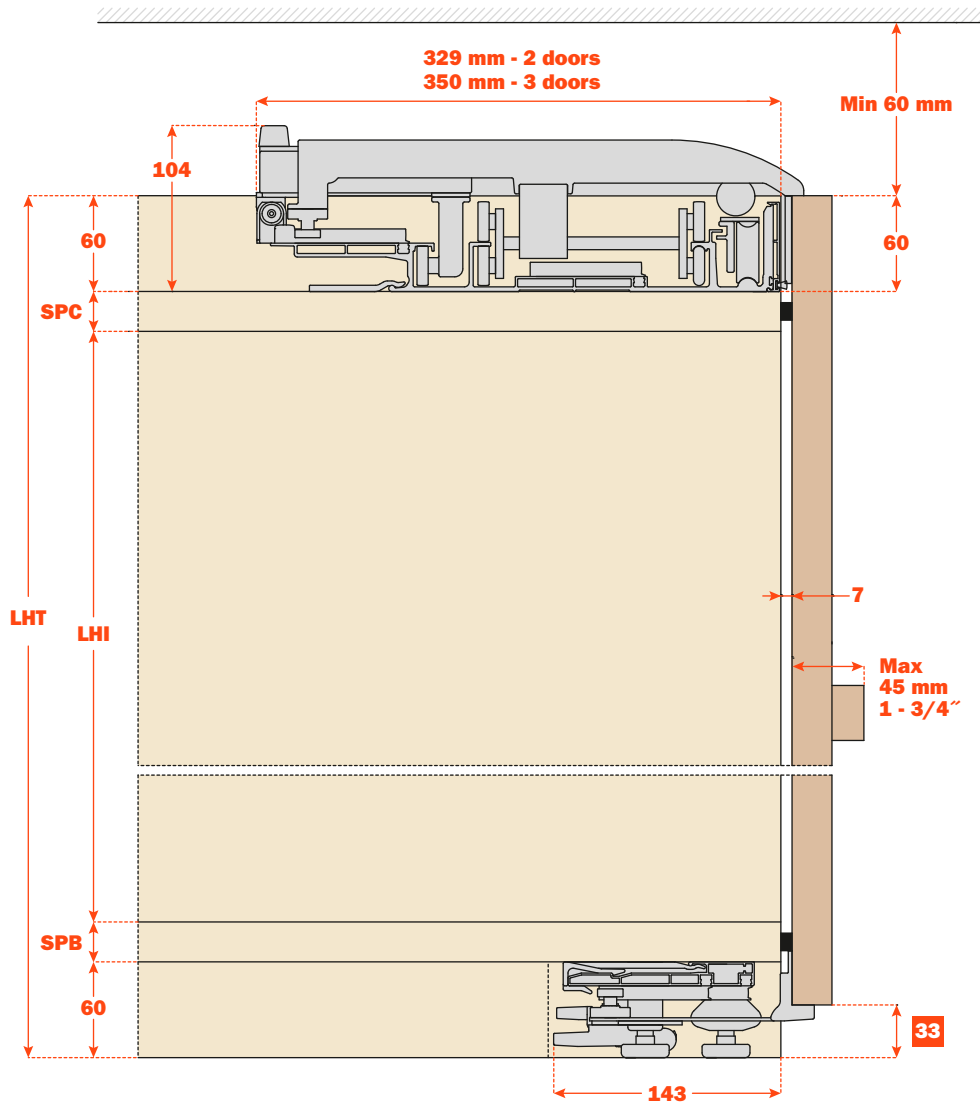


# Slider L70

## CODE REFERENCES

- LI** Internal cabinet width
- TL** Door width
- LHI** Internal cabinet height
- SPI** Support panel thickness
- D** Door overlay on side panel
- TH** Door height

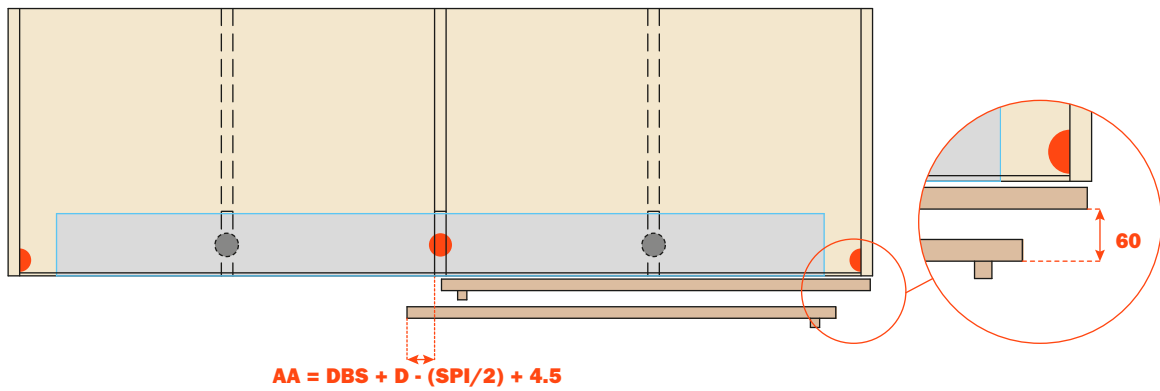
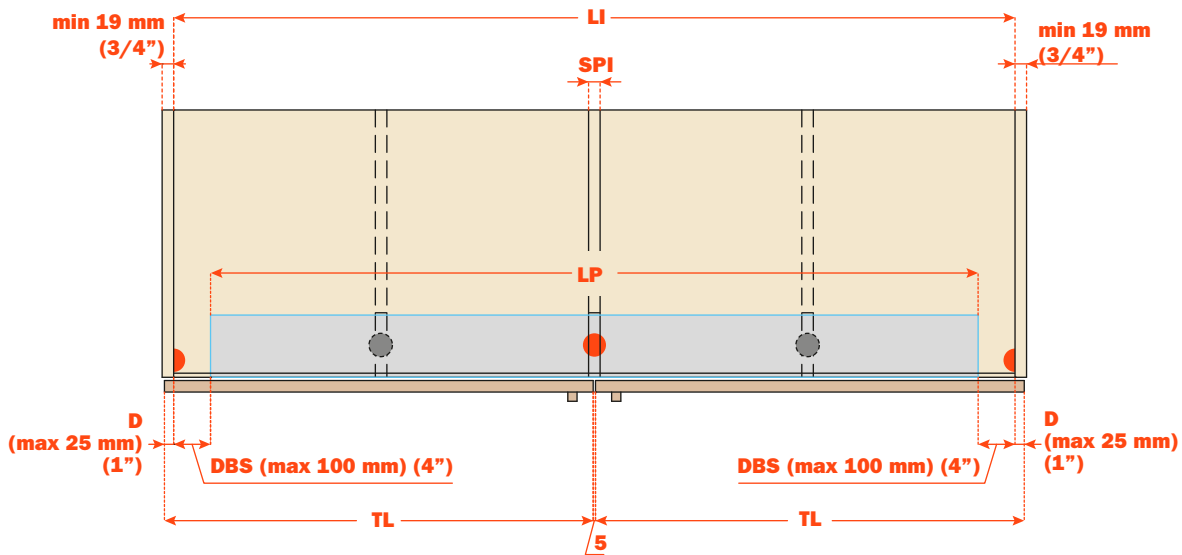
- LHT** Total cabinet height
- S** Side panel thickness
- DBS** Space between track and side panel
- SPC** Top panel thickness
- SPB** Bottom panel thickness
- CP** Track length
- AA** Door protrusion





## FLEXIBILITY OF INSTALLATION

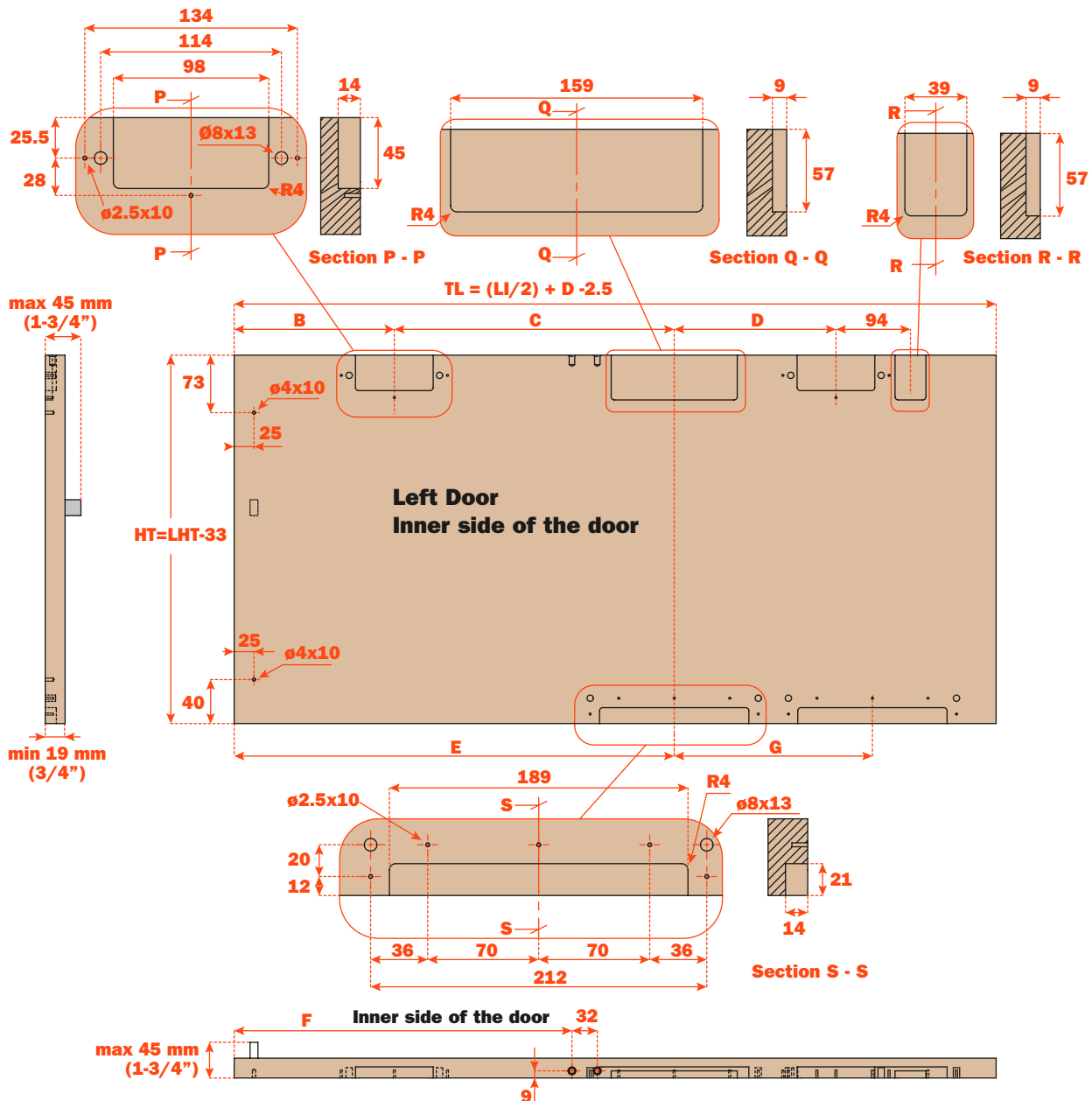
The L70 2 doors stock size slider mechanisms can be installed on a carcass which may exceed the dimensions of the track itself by 200 mm (7 - 7/8"). The protrusion of the door in the open position is described with the formula:  $DBS + D - (SPI/2) + 4.5$



- Feet supplied with the track.
- Additional feet supplied on track (LP) over 2999 mm (118-1/8").

**Slider L70 - Product codes and assembly specifications LEFT DOOR**

Item #	Mechanism length (Lp) mm	Li	Overlay (D) mm	B	C	D	E	F	G	Packaging		Clipper frame	Max door Height mm
										Weight kg	Dimensions cm		
YE30FA01600NN	1599	1600-1800	1 - 25	169	303	154	472	341	-	26	175 x 46 x 19	YES	2700
YE30FA01800NN	1799	1800-2000	1 - 25	169	353	204	522	391	-	29.4	195 x 46 x 19	YES	2700
YE30FA02000NN	1999	2000-2200	1 - 25	169	403	254	572	441	-	32.8	215 x 46 x 19	YES	3000
YE30FA02200NN	2199	2200-2400	1 - 25	169	453	304	622	491	-	36.2	235 x 46 x 19	YES	3000
YE30FA02400NN	2399	2400-2600	1 - 25	169	503	354	672	541	-	39.6	255 x 46 x 19	YES	3000
YE30FA02600NN	2599	2600-2800	1 - 25	219	503	354	722	591	425	41.2	275 x 46 x 19	YES	3000
YE30FA02800NN	2799	2800-3000	1 - 25	269	503	354	772	641	475	43.4	295 x 46 x 19	YES	3000
YE30FA03000NN	2999	3000-3200	1 - 25	319	503	354	822	691	525	46.8	315 x 46 x 19	YES	3000
YE30FA03200NN	3199	3200-3400	1 - 25	369	503	354	872	741	575	49.2	335 x 46 x 19	NO	3000
YE30FA03400NN	3399	3400-3600	1 - 25	419	503	354	922	791	625	51.9	355 x 46 x 19	NO	3000
YE30FA03600NN	3599	3600-3800	1 - 25	469	503	354	972	841	675	54.6	375 x 46 x 19	NO	3000
YE30FA03800NN	3799	3800-4000	1 - 25	519	503	354	1022	891	725	57.3	395 x 46 x 19	NO	3000



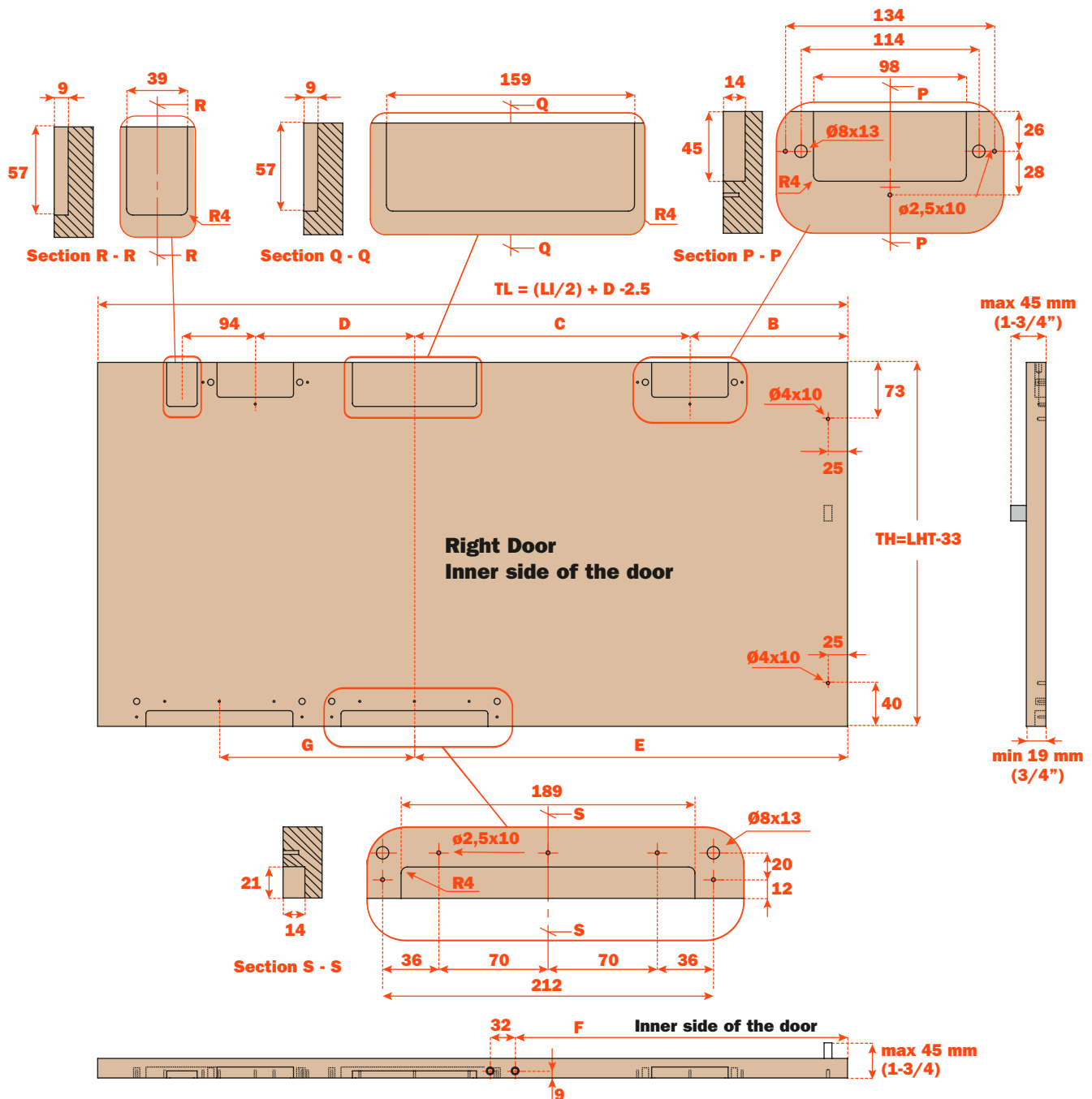
## Product codes and assembly specifications RIGHT DOOR



As you are in the design phase it will be important to determine the weight of your doors and provide for it with adequate panels thickness.

### CODE REFERENCES

- LI** Internal cabinet width
- TL** Door width
- LHI** Internal cabinet height
- SPI** Support panel thickness
- D** Door overlay on side panel
- TH** Door height
- B/C/D/E/F/G** See chart

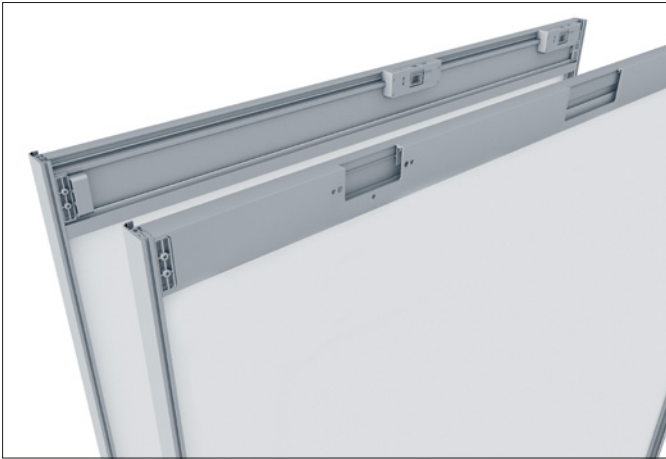






# Clipper

## Clipper

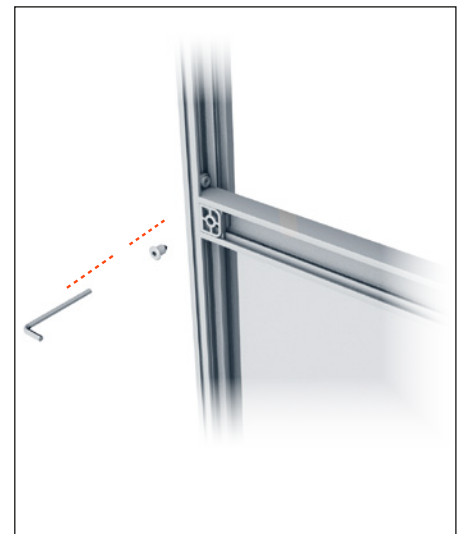
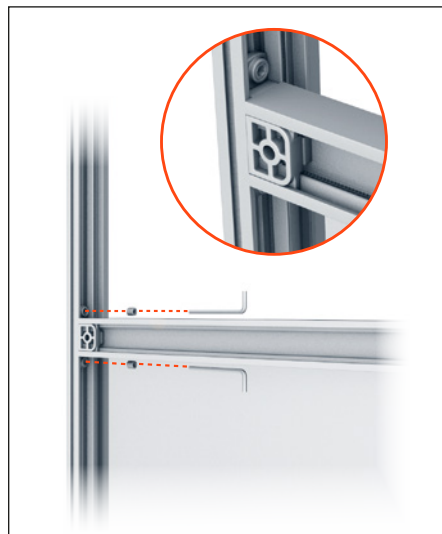
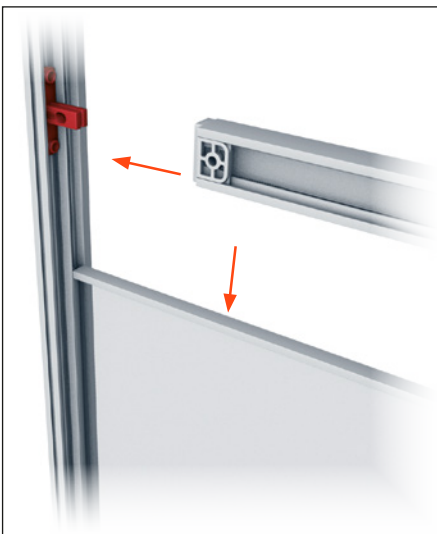
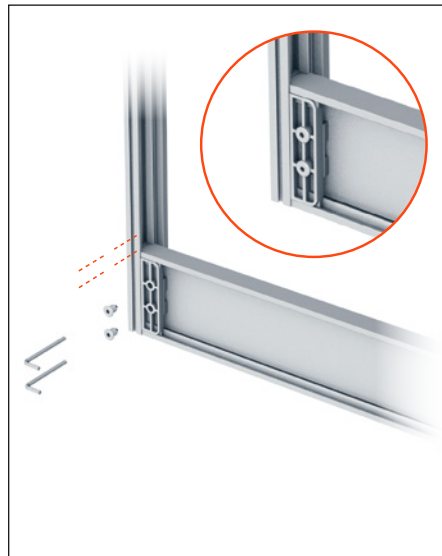
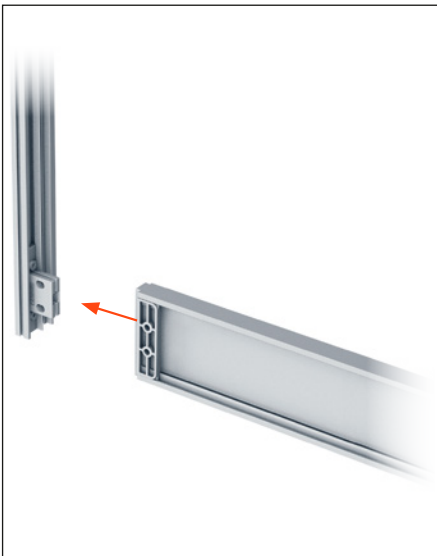


**Aluminum-framed door system to be used with M50+ and L70 coplanar systems.**

### Product overview

- Crossbeams in anodized silver aluminum ARC 10, L = 3000 mm (118 - 1/8")
- Max. width of the door: 1500 mm (59")
- Standbeams in anodized silver aluminum ARC 10, L = 2650mm (104 - 1/4")
- Max. height of the door: 2650 mm (104 - 1/4")
- Rubber gasket for 4 mm (5/32") glass
- Rubber gasket for 8 mm (5/16") panels
- Possibility to combine the door with more elements (glass or panels) thanks to the intermediate crossbeams
- For the slider Large system it is necessary to carry out processes on the upper and lower crossbeams with the methods indicated in the technical documentation of the mechanism

### Patented joint system



## Formula for profiles and glass sizing

**TL** = door width

**TH** = door height

**N** = number of intermediate profiles

Intermediate profiles length

**(TL - 26)**

Crossbeam length

**TH**

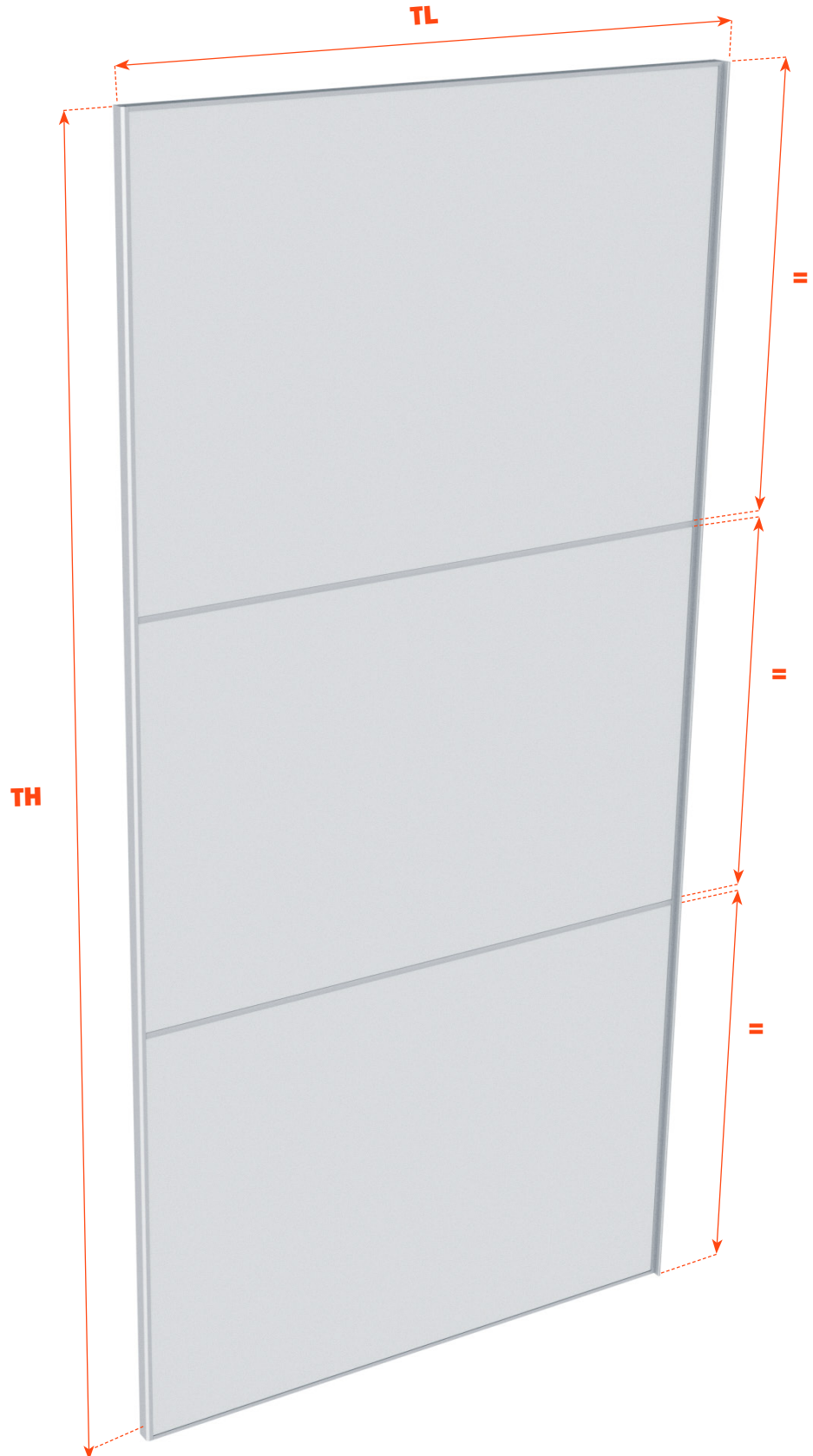
Glass (or panel) length

**(TL - 18.6)**


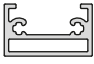
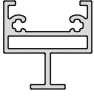

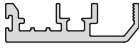
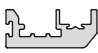



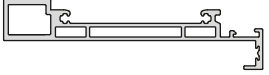
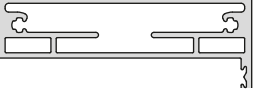

Glass (or panel) height

**[TH - 8.6 - (3.4 x N)] : (N + 1)**

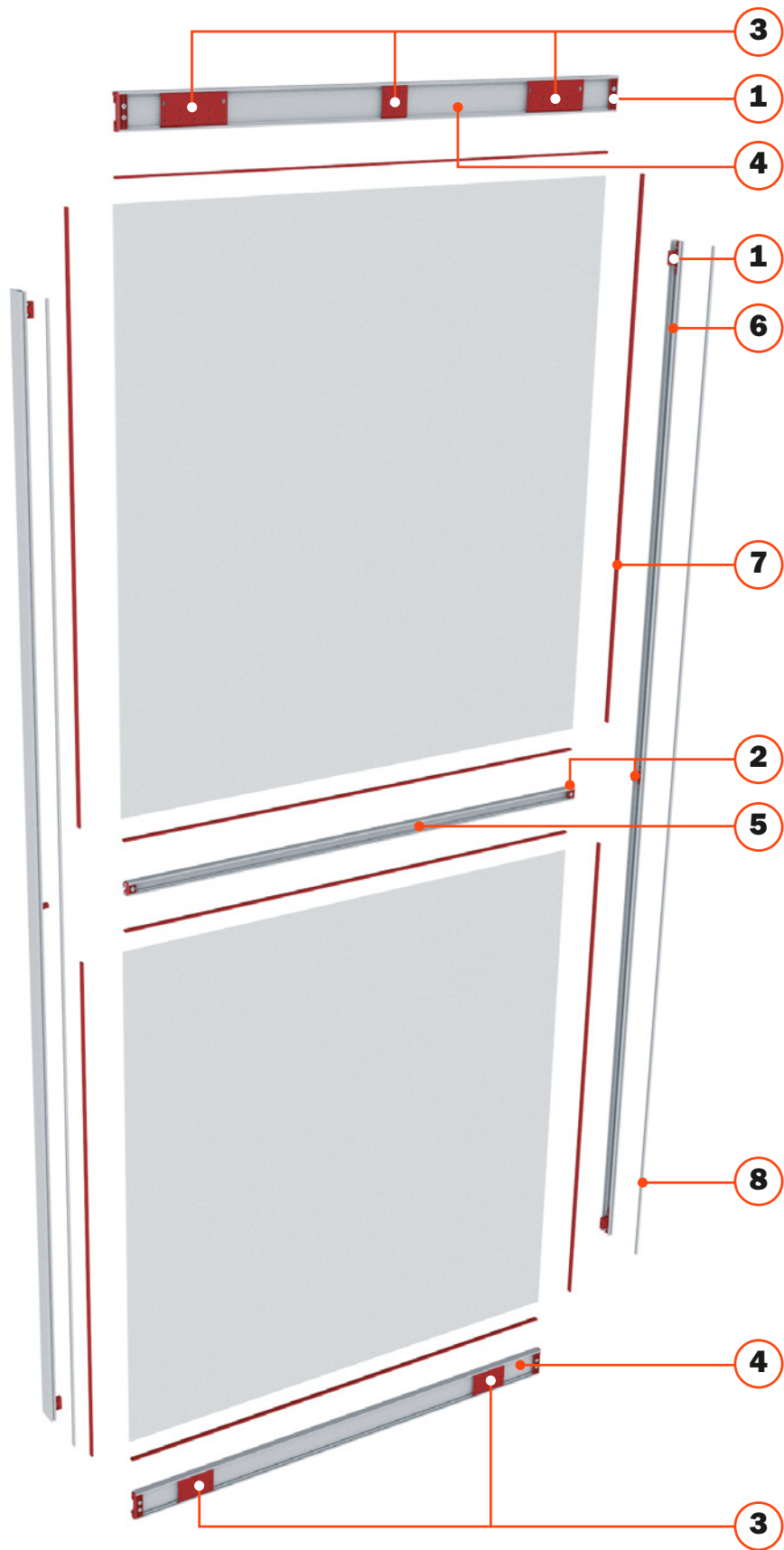
For doors with a whole panel or glass N = 0



**Clipper - System components**

<p><b>1</b></p> <p>Details for assembly of the corners</p> 	<p><b>5</b></p> <p>Crossbeam brace</p>  <p>Intermediate crossbeam</p> 
<p><b>2</b></p> <p>Details for assembly of the crossbeams</p> 	<p><b>6</b></p> <p>Side standbeam with handle</p>  <p>Side standbeam</p> 
<p><b>3</b></p> <p>Elements for application on M50+</p> 	<p><b>7</b></p> <p>Rubber gasket for 4 mm glass</p>  <p>Rubber gasket for 8 mm panels</p> 
<p><b>4</b></p> <p>Crossbeam for M50+</p>  <p>Crossbeam for L70</p> 	<p><b>8</b></p> <p>Dust strip</p> 

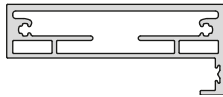
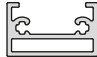
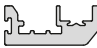










# Clipper

## How to order Clipper frames for Slider L70 by kit

Kit for glass door of maximum width 1500 mm.

Item	(mm)	KIT YE43KIT1300 Silver · YE43KIT1300S7 metal Grey · pcs.	
3 Upper and lower crossbeam	3000	1	
4 Concealed intermediate crossbeam	1500	1	
5 Vertical profile without handle	2650	1	
5 Side standbeam with handle	2650	1	
6 Rubber gasket for 4 mm glass	3000	4	
7 Grey brush H7	6000	1	
1 Corner joint kit	-	1	 <b>x 4      x 4      x 8      x 8      x 8</b>
2 Crossbeam joint kit	-	1	 <b>x 2      x 2      x 4      x 4      x 2</b>
Screws kit for adjuster	-	1	 <b>x 16</b>

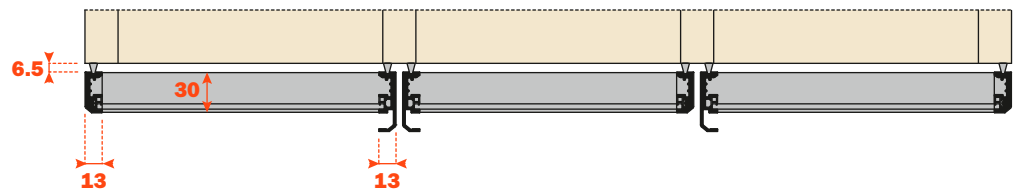
## Optional

Item	(mm)	KIT YE43KIT1400 pcs.	KIT YE43KIT1500 pcs.	
4 Junction kit for concealed and dividing intermediate crossbeam	1500	1	-	 x 2   x 2   x 4   x 4x 2
6 Rubber gasket for 8 mm panels	3000	-	4	

## Examples

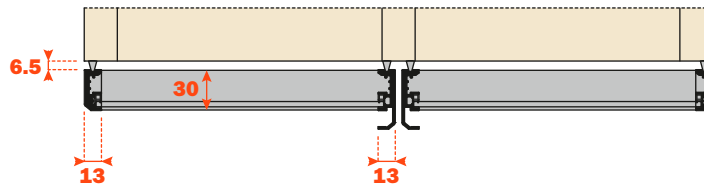
### 3 x YE43KIT1300

Slider L70 3 doors



### 2 x YE43KIT1300

Slider L70 2 doors


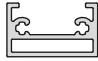










**The upper and lower horizontal profiles must be machined as indicated in the technical documentation provided with the mechanism.**

# Clipper

## How to order Clipper frames for M50+ by kit

Kit for door with glass of a maximum width of 1500 mm.

Item	mm	KIT • <b>YE43KIT1200</b> Silver • <b>YE43KIT1200S7</b> metal Grey • pcs.	
<b>5</b> Upper and lower crossbeam	3000	1	
<b>6</b> Concealed intermediate crossbeam	1500	1	
<b>7</b> Vertical profile without handle	2650	1	
<b>7</b> Vertical profile with handle	2650	1	
<b>8</b> Rubber gasket for 4 mm glass	3000	4	
<b>9</b> Grey brush H7	6000	1	
<b>9</b> Grey brush H5	6000	1	
<b>1</b> Corner joint kit	-	1	 <p style="text-align: center;"> <span>x 4</span>   <span>x 4</span>   <span>x 8</span>   <span>x 8</span>   <span>x 8</span> </p>
<b>2</b> Crossbeam joint kit	-	1	 <p style="text-align: center;"> <span>x 2</span>   <span>x 2</span>   <span>x 4</span>   <span>x 4</span>   <span>x 2</span> </p>
<b>3</b> Carriage connector and buffer kit <b>4</b>	-	1	 <p style="text-align: center;"> <span>x 2</span>   <span>x 2</span>   <span>x 8</span>   <span>x 2</span>   <span>x 2</span>   <span>x 8</span> </p>

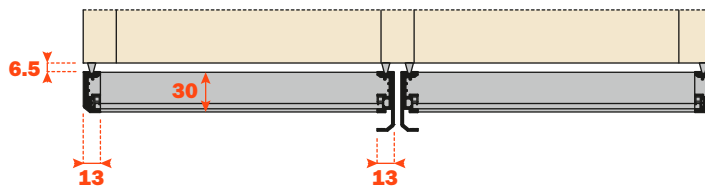
## Optional

Item	mm	KIT YE43KIT1400 pcs.	KIT YE43KIT1500 pcs.	
5 Junction kit for concealed and dividing intermediate crossbeam	1500	1	-	
7 Rubber gasket for 8 mm panels	3000	-	4	

## Examples

2 x **YE43KIT1200**


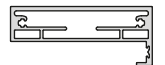

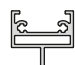


Slider M50+ 2 doors



## Clipper

How to order Clipper frames by item.

### PROFILES

	Length mm	Item	Pack. pcs.	Dimensions mm	
④ Crossbeam <b>M50+</b>	3000	YE43BTL03000A	2	110 x 30	
④ Crossbeam <b>L70</b>	3000	YE43BTB03000A	2	27 x 30	
⑤ Bracing crossbeam	3000	YE43BTC03000A	2	30 x 18	
⑤ Intermediate crossbeam	3000	YE43BTD03000A	2	30 x 30	
⑥ Side standbeam with handle	2650	YE43BTH02650A	2	45 x 13	
⑥ Side standbeam	2650	VE43BTG02650A	2	31 x 13	

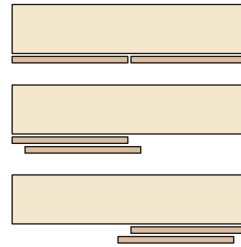
### RUBBER GASKET

	Length mm	Item	Pack. pcs.	Weight Kg	Volume mc	Dimensions mm	
Rubber gasket for 4 mm glass	3000	YE43TAG0500	10	6.8	0.03	110 x 85 x 3050	
Rubber gasket for 8 mm panels	3000	YE43TAG0510	10	5.5	0.03	110 x 85 x 3050	
Dust strip H 7 mm for <b>M50+</b>		YE43PB4829G	10	2.2	0.02		

## JOINTS AND PLATES

	Length mm	Item	Pack. pcs.	Weight Kg	Volume mc	Dimensions mm	
Corner joint kit	-	YE43KIT0001	2	8.3	0.007	290 x 285 x 80	 x 4    x 4    x 8    x 8    x 8
Crossbeam joint kit	-	YE43KIT0002	2	3.9	0.004	240 x 200 x 85	 x 2    x 2    x 4    x 4    x 2
Carriage hook up kit <b>M50+</b>	-	YE43KIT0006	2	6.8	0.001	330 x 310 x 110	 x 2    x 2    x 2    x 2    x 8    x 8
Screws kit for adjuster <b>L70</b>	-	YE43KIT0005	2	0.45	0.001	125 x 115 x 115	 x 16

**STANDARD 2 Doors**



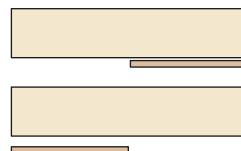
- **S10**
- **S20**
- **M35**
- **M35Top**
- **M50+**
- **L70**

**ONE 1 Door**



- **S10**
- **S20**
- **M35**
- **M35Top**
- **M50+**
- **L70**

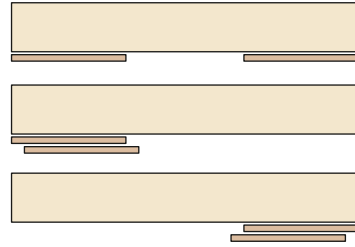
**ONE 1 Door**



- **S10**
- **S20**
- **M35**
- **M35Top**
- **M50+**
- **L70**

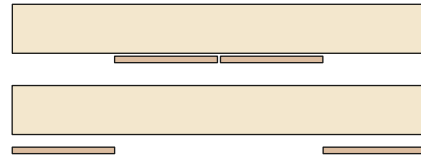


**STEP 2 Doors**



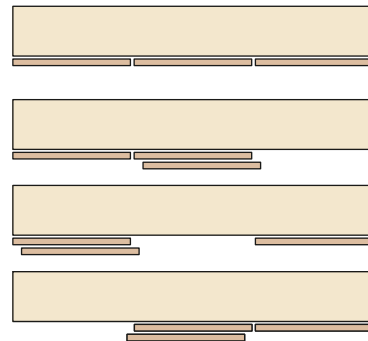
- **S20**
- **M35**
- **M35Top**
- **M50+**
- **L70**

**REVERSO 2 Doors**



- **S10**
- **S20**
- **M35**
- **M35Top**
- **M50+**
- **L70**

**STANDARD 3 Doors**



- **L70**





**SALICE AMERICA INC.**

2123 CROWN CENTRE DRIVE  
CHARLOTTE NC. 28227  
TEL. 704 841 7810  
FAX. 704 841 7808  
info.salice@saliceamerica.com  
www.saliceamerica.com

**SALICE CANADA INC.**

3500 RIDGEWAY DRIVE, UNIT#1  
MISSISSAUGA, ONTARIO, L5L 0B4  
TEL. 905 820 8787  
FAX. 905 820 7226  
info.salice@salicecanada.com  
www.salicecanada.com