



KNAPE & VOGT®

For 120 years, Knappe and Vogt has been innovating products that make our day-to-day lives easier, more organized, and more productive. Our hardware is functional in a wide range of applications.

Drawer Slides



8400 Series



8450 FM Series



Muv HD

Standards & Brackets



80 & 180 Series



85 & 185 Series



87 & 187 Series

Kitchen & Bath



USC15-2-35 PT



BBCS-R-15-FN



SP27-FN



PKN28ST-W

Ergonomics



Hopper Monitor Arm



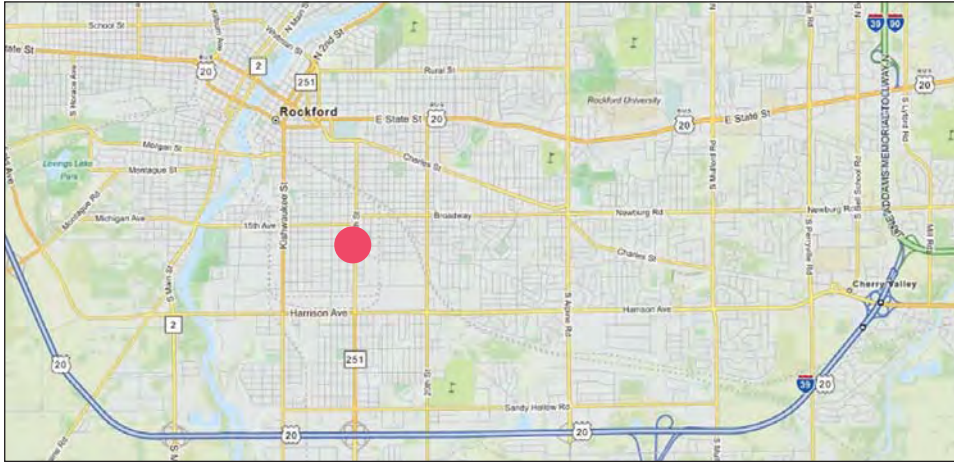
KD-55



SD-47

Our products are designed to move people to action, to organize, to customize. They make workplaces and homes work seamlessly. They create space where there wasn't any. They allow people to access what they want when they want it.

Now With 4 Locations to Serve You Better

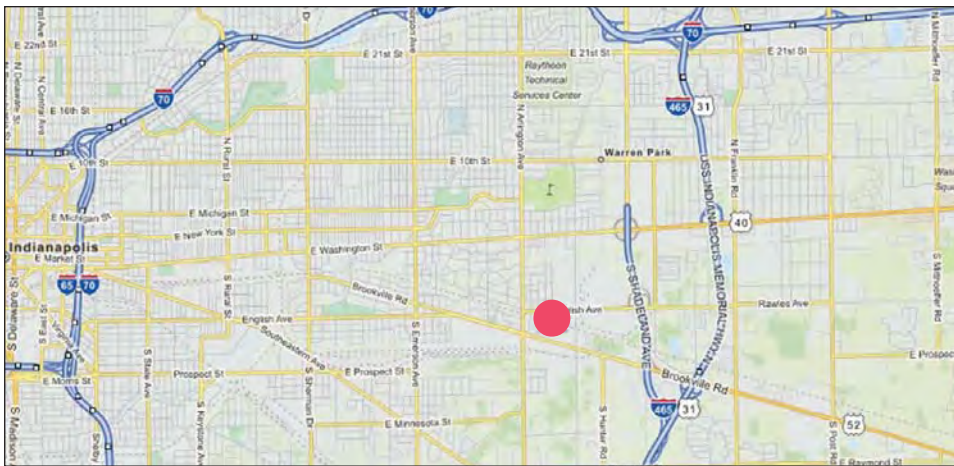
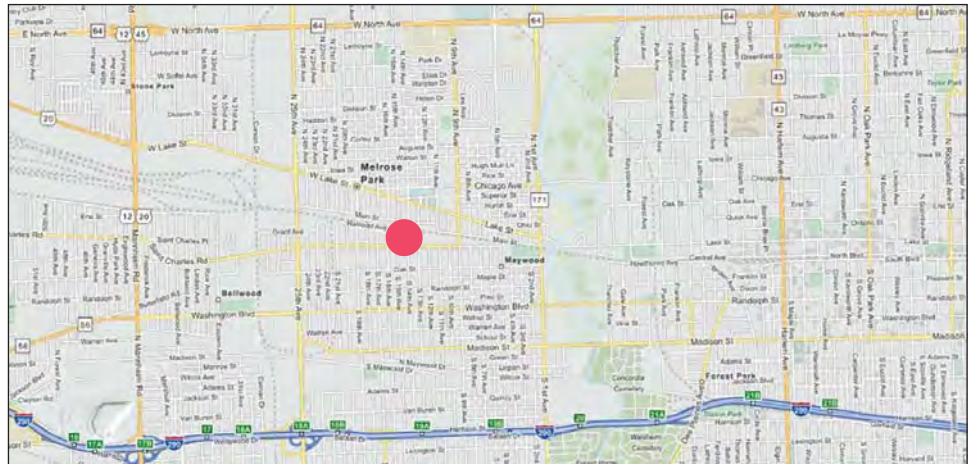


ROCKFORD, ILLINOIS

1931 Eleventh Street
Rockford, IL 61104
TEL: 815-968-0921
FAX: 815-968-4720

CHICAGO, ILLINOIS

1401 St. Charles Road
Maywood, IL 60153
TEL: 708-343-1515
FAX: 708-343-1616

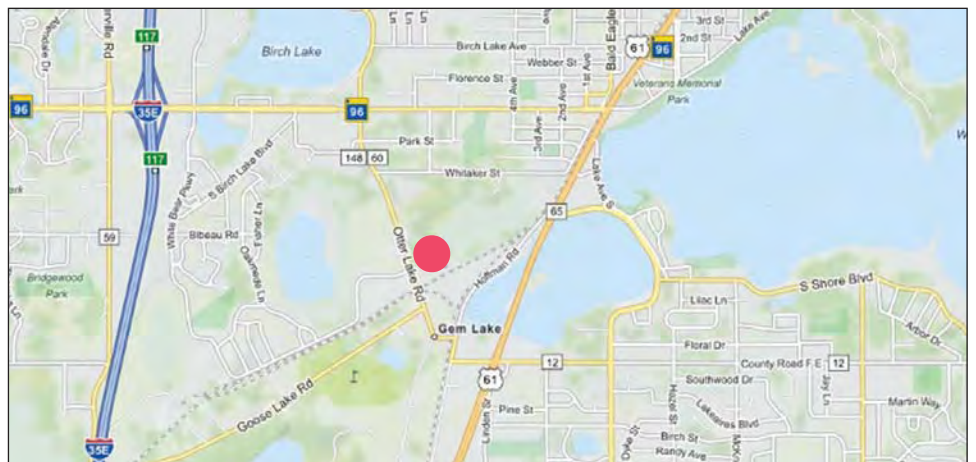


INDIANAPOLIS, INDIANA

6350 Brookville Road
Indianapolis, IN 46219
TEL: 317-353-6281
FAX: 317-356-3503

TWIN CITIES, MINNESOTA

4250 Otter Lake Road
White Bear Lake, MN 55110
TEL: 651-407-2800
FAX: 651-407-2801





Aetna Hardware Deliveries

Hardware ground shipment fees. Due to the flat rate structure, method of delivery is determined by Aetna .

Order Value	Shipping Charges
\$1 to \$99.99	\$18.00
\$100 to \$199.99	\$21.00
\$200 to \$299.99	\$24.00
\$300 to \$599.99	\$26.00
\$600+	Free

Back orders

Seller will pay the ground freight on all back orders of stock items. Expedited freight services (Next Day Air, Courier, etc.) as requested by the customer will be billed in full. C.O.D. charges are \$17.50, or a minimum \$39.00 via Common Carrier. A large package surcharge of \$9.00 will be added to items 6 feet in length or longer.

Will Call

All orders for customer pick-up require a 4 hour advance notice. Orders under \$100 will carry a \$15.00 minimum order charge.

Payment Terms

All accounts must have a current and approved account application on file.

Acceptable methods of payment are Visa, MasterCard, Discover, company check, cash or cash equivalent.

Open account terms are 1% 10 net 30 days. Past Due invoices are assessed a finance charge of 2% per month.

Pricing

Prices are subject to change without notice. We make every effort to avoid mistakes in our catalogs. However, should any errors appear, we reserve the right to correct them.

Returns

All returned shipments must have Return Authorization (RA) from Aetna Plywood's Hardware Center. (RA number must appear clearly on package.) RA expires 15 days after issue. Unauthorized returns will be refused.

Return must be clean and in like new condition, in original packaging and resellable. Return freight must be paid by the customer. Obsolete, discontinued or clearance items cannot be returned.

Restocking charge will be applied against all returned items as follows: 20% within 60 days of sale, 25% within 90 days. No returns allowed after 90 days.

Special order products and power tools (pneumatic or electric) will not receive return authorization, unless product is determined to be defective and covered under manufacturer's warranty.

Allow minimum of 2 weeks to process and issue any credit. Credit may be denied or additional charges applied for material returned in unsatisfactory condition.

Shortages / Damaged Shipments

Buyer must notify Aetna within 48 hours of receiving any order with a shortage. Damaged shipments must be noted with the delivering carrier's agent upon receipt. Aetna will assist in filing claims with the carrier, but is not liable for damage in transit.

Warranties

Liability is limited to the value of the manufacturer's warranty. No liability for damage to property or person caused by purchased material will be assumed. No guarantee is made for the accuracy of specifications, suitability or descriptions in the catalog. Seller assumes no liability for labor, time, or expenses incurred.

Non Stock or Special Orders

Non stock or special orders will be handled as a separate order and may require payment in advance. Any shipping charges incurred will be added to the order. Special orders are not returnable and may not be cancelled.

Delivery Dates

Delivery dates given in advance of actual shipments are estimates based on the most current information received from our suppliers and shall not be deemed to represent fixed or guaranteed shipping dates. Delivery dates are not guaranteed, and Aetna shall not be liable to the buyer, or ultimate user, for any claims arising from delay in shipment or delivery.

Fasteners	1–31	A
Drawer Slides & Specialty Slides.....	32–67	B
Drawer Systems & Components.....	68–76	C
Hinges & Mounting Plates	77–105	D
Kitchen Convenience Hardware	106–135	E
Entertainment & Computer Hardware	136–160	F
Closet & Shelving Hardware	161–181	G
Decorative Hardware.....	182–196	H
Abrasives	197–220	I
Adhesives, Putty & Caulk	221–226	J
Decorative Wood Products	227–236	K
Lighting	237–249	L
Element Designs Doors,Shelves & Sliding Door Hardware ..	250–269	M
Casters & Levelers	270–273	N
Solid Surfacing	274–278	O
Bits & Blades	279–298	P
Safety & Shop Supplies	299–323	Q
Tools & Clamps	324–336	R

AETNA PLYWOOD, INC.

1401 St. Charles Rd., Maywood, IL 60153

Continued on page 2 of form, this is page 1

(708) 343-1515 fax (708) 343-1101

Legal Name of Business		<input type="checkbox"/> Proprietorship <input type="checkbox"/> Partnership
		<input type="checkbox"/> Corporation <input type="checkbox"/> Limited Liability Corp (LLC)
Years in business	Number of employees	Federal Identification Number

Mailing Address (street and number)	Phone
	Fax
City/State/Zip	E-Mail Address

Your Ship To Address, if different from mailing address	Special delivery instructions
	<input type="checkbox"/> Hand unload <input type="checkbox"/> Side unload <input type="checkbox"/> Drive on <input type="checkbox"/> 40' truck okay
Nearby major intersecting streets, highways or roads:	Receiving Hours _____

Owners, Partners, or Corporate Officers:	
(1) Name and title	
(2) Name and title	
(3) Name and title	

The undersigned hereby consents to Aetna Plywood Inc.'s use of a non-business consumer credit report on the undersigned in order to further evaluate the credit worthiness of the undersigned as principal, proprietor, partner and/or guarantor in connection with the extension of business credit as contemplated by this credit application. The undersigned hereby authorizes Aetna Plywood Inc. to utilize a consumer credit report on the undersigned from time to time in connection with the extension or continuation of the business credit represented by the credit application. The undersigned as individual hereby knowingly consents to the use of such credit report consistent with the Federal Fair Credit Reporting Act.

Applicant's signature: ✓ _____

Print Name: _____ Date: _____

PERSONAL GUARANTY

The undersigned hereby personally guarantees any existing or hereinafter created indebtedness by the Applicant to Aetna Plywood, Inc, and waives presentment and demand for payment, notice of payment, notice of non-payment, protest and notice of protest, and consents without notice of any extensions of time or increase in the amount of the credit given. This is intended to be continuing guarantee and shall continue as to all new indebtedness incurred unless and until a written notice is served upon Aetna Plywood, Inc. by certified mail-return receipt requested; declaring said personal guarantee shall not apply to future purchases. Guarantor consents to allow Aetna Plywood Inc. to change or modify the terms of sale without notice to or authorization of the guarantor. Guarantor assumes all responsibility for staying advised as to the Applicant's financial condition and risk.

Guarantor's Signature as individual: ✓ _____ Date: _____
(not in the capacity of corporate officer)

For Office Use Only				
Class:	Salesperson:	Mailing:	Customer Number:	Approved/Date:

Trade References: *Where* do you purchase these products and *how many* dollars do you purchase each month?

Plastic Laminate	Particle Board	Hardwood Lumber	Other:
_____	_____	_____	_____
\$ _____	\$ _____	\$ _____	\$ _____

Do you have open account with your current suppliers? Yes <input type="checkbox"/> No <input type="checkbox"/>	Do you prefer COD terms from Aetna? Yes <input type="checkbox"/> No <input type="checkbox"/>
--	--

Primary Business Classification

Cabinets and Tops Millwork Displays Other, _____

Who is authorized to place orders? _____	Who do we speak to about accounts payable? _____
---	---

AGREEMENT FOR A COMMERCIAL ACCOUNT WITH AETNA PLYWOOD, INC.

Applicant hereby applies to Aetna Plywood, Inc. ("Aetna") to open a commercial account in Applicant's name and hereby requests Aetna from time to time to extend credit to enable Applicant to buy merchandise from Aetna for business or commercial purposes only. As an inducement to Aetna to extend credit, and in consideration of Aetna agreeing to extend credit to Applicant, Applicant states as follows:

- Applicant represents and warrants that all information including but not limited to the information on the Application for Credit, given in connection with this Application and Agreement ("Agreement") is true and correct as of the date of this application. Applicant agrees to provide Aetna with notice of changes to the information contained on the face and back of this agreement as they occur.
- Applicant agrees to pay within thirty days of the date of the invoice for all merchandise delivered on that invoice. ("Payment Due Date")
- If any invoice remains unpaid after the Payment Due Date then Aetna has the right to not deliver further orders and need not notify Applicant.
- If any amount due for any merchandise remains unpaid on the last business day of the month in which the Payment Due Date falls, Applicant shall pay to Aetna a late charge on all past due amounts from the first day of the month immediately following the month in which the Payment Due Date falls until such amounts are paid in full.
- The late charge shall be two percent per month, equaling an annual percentage rate of twenty-four percent.
- If applicant pays any invoice with a check, and the check is returned from Applicant's bank unpaid for any reason, Applicant will pay a service charge of thirty-five dollars or one half of one percent of the face amount of the check, whichever is greater. The service charge will be along with any late charges that may be applicable.
- Applicant agrees that for any merchandise to be returned, if approved by Aetna, applicant will incur a restocking charge and further responsibility for shipping and handling charges.
- This agreement shall be a continuing agreement and shall apply to each purchase of merchandise. Applicant agrees that Aetna can change or amend any of the terms of this Agreement. Applicant's continued use of the commercial charge account after the effective date of the amendment or change shall be deemed acceptance of the changed terms.
- Applicant may terminate this Agreement at will at any time by written notice to Aetna. Such termination to be effective following the receipt of the notice. Termination of this Agreement shall result in all subsequent purchases to be shipped on a prepaid basis only.
- Applicant agrees to hold harmless Aetna Plywood, Inc. for any damages resulting from the withholding and/or delaying of the shipment of merchandise to applicant resulting from events outside the control of Aetna Plywood, Inc.
- Applicant understands and agrees that Aetna's liability of damages as a result of a failure of any product shall be limited to the cost of the replacement of the goods supplied, and Aetna shall not be liable for any incidental or consequential damages arising therefrom.
- Applicant agrees to submit to the jurisdiction of the Circuit Court of Cook County, Illinois.
- Applicant and Aetna hereby waive the right to a jury trial for any claim arising from the enforcement of this agreement.
- Applicant will pay all expenses, including reasonable attorneys' fees, incurred by Aetna in the enforcement of the agreement and the collection of any charges due thereunder.
- Aetna's failure to exercise any of its rights hereunder shall not be deemed a waiver of Aetna's rights under this agreement.

The applicant, whose signature appears below, ("Applicant") hereby authorizes Aetna to request and to obtain credit information from Applicant's trade, bank and personal references. Applicant authorizes the references contacted by Aetna to release to Aetna the information concerning the status and conduct of the Applicant's business and personal credit. Applicant states that they have read all the terms and conditions stated on page 1 and page 2 of this form. Applicant agrees that those terms and conditions govern this application for an account.

Applicant's signature: ✓ _____

Print Name: _____ **Date:** _____



CRT-61 Certificate of Resale

Step 1: Identify the seller

1 Name Aetna Plywood, Inc.

2 Business address _____

City State Zip

Step 2: Identify the purchaser

3 Name _____

4 Business address _____

City State Zip

5 Complete the information below. Check only one box.

The purchaser is registered as a retailer with the Illinois Department of Revenue. _____
Account ID number

The purchaser is registered as a reseller with the Illinois Department of Revenue. _____
Resale number

The purchaser is authorized to do business out-of-state and will resell and deliver property only to purchasers located outside the state of Illinois. See Line 5 instructions.

Step 3: Describe the property

6 Describe the property that is being purchased for resale or list the invoice number and the date of purchase.

Step 4: Complete for blanket certificates

7 Complete the information below. Check only one box.

I am the identified purchaser, and I certify that all of the purchases that I make from this seller are for resale.

I am the identified purchaser, and I certify that the following percentage, _____ %, of all of the purchases that I make from this seller are for resale.

Step 5: Purchaser's signature

I certify that I am purchasing the property described in Step 3 from the stated seller for the purpose of resale.

Purchaser's signature

____/____/____
Date

Note: It is the seller's responsibility to verify that the purchaser's Illinois account ID or Illinois resale number is valid and active. You can confirm this by visiting our web site at tax.illinois.gov and using the Verify a Registered Business tool.

General information

When is a Certificate of Resale required?

Generally, a Certificate of Resale is required for proof that no tax is due on any sale that is made tax-free as a sale for resale. The purchaser, at the seller's request, must provide the information that is needed to complete this certificate.

Who keeps the Certificate of Resale?

The seller must keep the certificate. We may request it as proof that no tax was due on the sale of the specified property.

Do not mail the certificate to us.

Can other forms be used?

Yes. You can use other forms or statements in place of this certificate but whatever you use as proof that a sale was made for resale must contain

- the seller's name and address;
- the purchaser's name and address;
- a description of the property being purchased;
- a statement that the property is being purchased for resale;
- the purchaser's signature and date of signing; and
- either an Illinois account ID number, an Illinois resale number, or a certification of resale to an out-of-state purchaser.

Note: A purchase order signed by the purchaser may be used as a Certificate of Resale if it contains all of the above required information.

When is a blanket certificate of resale used?

The purchaser may provide a blanket certificate of resale to any seller from whom all purchases made are sales for resale. A blanket certificate can also specify that a percentage of the purchases made from the identified seller will be for resale. In either instance, blanket certificates should be kept up-to-date. If a specified percentage changes, a new certificate should be provided. Otherwise, all certificates should be updated at least every three years.

Specific instructions

Step 1: Identify the seller

Lines 1 and 2 Write the seller's name and mailing address.

Step 2: Identify the purchaser

Lines 3 and 4 Write the purchaser's name and mailing address.

Line 5 Check the statement that applies to the purchaser's business, and provide any additional requested information.

Note: A statement by the purchaser that property will be sold for resale will not be accepted by the department without supporting evidence (e.g., proof of out-of-state registration).

Step 3: Describe the property

Line 6 On the lines provided, briefly describe the tangible personal property that was purchased for resale or list the invoice number and date of purchase.

Step 4: Complete for blanket certificates

Line 7 The purchaser must check the statement that applies, and provide any additional requested information.

Step 5: Purchaser's signature

The purchaser must sign and date the form.

Indiana Department of Revenue
General Sales Tax Exemption Certificate

Indiana registered retail merchants and businesses located outside Indiana may use this certificate. The claimed exemption must be allowed by Indiana code. Exemption statutes of other states are not valid for purchases from Indiana vendors. This exemption certificate cannot be issued for the purchase of Utilities, Vehicles, Watercraft, or Aircraft. Purchaser must be registered with the Department of Revenue or the appropriate taxing authority of the purchaser's state of residence.

Sales tax must be charged unless all information in each section is fully completed by the purchaser. Purchasers not able to provide all required information must pay the tax and may file a claim for refund (Form GA-110L) directly with the Department of Revenue.

Section 1 (print only)
Name of Purchaser
Business Address City State Zip
Purchaser must provide minimum of one ID number below.*
Provide your Indiana Registered Retail Merchant's Certificate TID and LOC Number as shown on your Certificate. TID# (10 digits) LOC# (3 digits)
If not registered with the Indiana DOR, provide your State Tax ID Number from another State. State ID# State of Issue
*See instructions on the reverse side if you do not have either number.

Section 2
Is this a blanket purchase exemption request or a single purchase exemption request? (check one)
Description of items to be purchased.

Section 3
Purchaser must indicate the type of exemption being claimed for this purchase. (Check one or explain)
Sales to a retailer, wholesaler, or manufacturer for resale only.
Sale of manufacturing machinery, tools, and equipment to be used directly in direct production.
Sales to nonprofit organizations claiming exemption pursuant to Sales Tax Information Bulletin #10. (May not be used for personal hotel rooms and meals.)
Sales of tangible personal property predominately used (greater than 50 percent) in providing public transportation - provide USDOT#. A person or corporation who is hauling under someone else's motor carrier authority, or has a contract as a school bus operator, must provide their SS# or FID# in lieu of a State ID# in Section #1. USDOT#
Sales to persons, occupationally engaged as farmers, to be used directly in production of agricultural products for sale. Note: A farmer not possessing a State Business License# may enter a FID# or a SS# in lieu of a State ID# in Section #1.
Sales to a contractor for exempt projects (such as public schools, government, or nonprofits).
Sales to Indiana Governmental Units (agencies, cities, towns, municipalities, public schools, and state universities).
Sales to the United States Federal Government - show agency name. Note: A U.S. Government agency should enter its Federal Identification Number (FID#) in Section #1 in lieu of a State ID#.
Other - explain.

Section 4
I hereby certify under the penalties of perjury that the property purchased by the use of this exemption certificate is to be used for an exempt purpose pursuant to the State Gross Retail Sales Tax Act, Indiana Code 6-2.5, and the item purchased is not a utility, vehicle, watercraft, or aircraft.
I confirm my understanding that misuse, (either negligent or intentional), and/or fraudulent use of this certificate may subject both me personally and/or the business entity I represent to the imposition of tax, interest, and civil and/or criminal penalties.
Signature of Purchaser Date
Printed Name Title

The Indiana Department of Revenue may request verification of registration in another state if you are an out-of-state purchaser.
Seller must keep this certificate on file to support exempt sales.

Michigan Sales and Use Tax Certificate of Exemption

DO NOT send to the Department of Treasury. Certificate must be retained in the seller's records. This certificate is invalid unless all four sections are completed by the purchaser.

SECTION 1: TYPE OF PURCHASE

A. One-Time Purchase
Order or Invoice Number: _____

C. Blanket Certificate
Expiration Date (maximum of four years): _____

B. Blanket Certificate. Recurring Business Relationship

The purchaser hereby claims exemption on the purchase of tangible personal property and selected services made from the vendor listed below. This certifies that this claim is based upon the purchaser's proposed use of the items or services, OR the status of the purchaser.

Vendor's Name and Address <p style="text-align: center;">Aetna Plywood, Inc. 1401 St Charles Rd, Maywood, IL 60153</p>

SECTION 2: ITEMS COVERED BY THIS CERTIFICATE

Check one of the following:

- All items purchased.
- Limited to the following items: _____

SECTION 3: BASIS FOR EXEMPTION CLAIM

Check one of the following:

- For Lease. Enter Use Tax Registration Number: _____
- For Resale at Retail. Enter Sales Tax License Number: _____

The following exemptions DO NOT require the purchaser to provide a number:

- Agricultural Production. Enter percentage: _____%
- Church, Government Entity, Nonprofit School, or Nonprofit Hospital (Circle type of organization).
- Contractor (must provide *Michigan Sales and Use Tax Contractor Eligibility Statement* (Form 3520)).
- For Resale at Wholesale.
- Industrial Processing. Enter percentage: _____%
- Nonprofit Internal Revenue Code Section 501(c)(3) or 501(c)(4) Exempt Organization (must provide IRS authorized letter with this form).
- Nonprofit Organization with an authorized letter issued by the Michigan Department of Treasury prior to June 1994 (must provide copy of letter with this form).
- Rolling Stock purchased by an Interstate Motor Carrier.
- Other (explain): _____

SECTION 4: CERTIFICATION

I declare, under penalty of perjury, that the information on this certificate is true, that I have consulted the statutes, administrative rules and other sources of law applicable to my exemption, and that I have exercised reasonable care in assuring that my claim of exemption is valid under Michigan law. In the event this claim is disallowed, I accept full responsibility for the payment of tax, penalty and any accrued interest, including, if necessary, reimbursement to the vendor for tax and accrued interest.

Business Name	Type of Business (see codes on page 2)
Business Address	City, State, ZIP Code
Business Telephone Number (include area code)	Name (Print or Type)
Signature and Title	Date Signed

Certificate of Exemption

Purchaser: Complete this certificate and **give it to the seller.**

Seller: If this certificate is not fully completed, you must charge sales tax. Keep this certificate as part of your records.

This is a blanket certificate, unless one of the boxes below is checked, and remains in force as long as the purchaser continues making purchases, or until otherwise cancelled by the purchaser.

Check if this certificate is for a single purchase and enter the related invoice/purchase order # _____.

If you are a contractor and have a purchasing agent agreement with an exempt organization, check the box to make multiple purchases for a specific job. Enter the exempt entity name and specific project:

Exempt entity name _____ Project description _____

Type or print

Name of purchaser _____

Business address _____ City _____ State _____ Zip code _____

Purchaser's tax ID number _____ State of issue _____

If no tax ID number, enter one of the following:	FEIN	Driver's license number/State issued ID number
		state of issue number

Name of seller from whom you are purchasing, leasing or renting _____

Seller's address _____ City _____ State _____ Zip code _____

Type of business

Type of business. Circle the number that describes your business.

- | | |
|---|---------------------------------------|
| 01 Accommodation and food services | 11 Transportation and warehousing |
| 02 Agricultural, forestry, fishing, hunting | 12 Utilities |
| 03 Construction | 13 Wholesale trade |
| 04 Finance and insurance | 14 Business services |
| 05 Information, publishing and communications | 15 Professional services |
| 06 Manufacturing | 16 Education and health-care services |
| 07 Mining | 17 Nonprofit organization |
| 08 Real estate | 18 Government |
| 09 Rental and leasing | 19 Not a business (explain) _____ |
| 10 Retail trade | 20 Other (explain) _____ |

Reason for exemption

Reason for exemption. Circle the letter that identifies the reason for the exemption.

- | | |
|---|---|
| A Federal government (department) _____ | J Agricultural production |
| B Specific government exemption (from list on back) _____ | K Industrial production/manufacturing |
| C Tribal government (name) _____ | L Direct pay authorization |
| D Foreign diplomat # _____ | M Multiple points of use (services, digital goods, or computer software delivered electronically) |
| E Charitable organization # _____ | N Direct mail |
| F Educational organization # _____ | O Other (enter number from back page) _____ |
| G Religious organization # _____ | P Percentage exemption |
| H Resale | <input type="checkbox"/> Advertising (enter percentage) _____% |
| I Capital Equipment | <input type="checkbox"/> Utilities (enter percentage) _____% |
| | <input type="checkbox"/> Electricity (enter percentage) _____% |

Sign here

I declare that the information on this certificate is correct and complete to the best of my knowledge and belief. (PENALTY: If you try to evade paying sales tax by using an exemption certificate for items or services that will be used for purposes other than those being claimed, you may be fined \$100 under Minnesota law for each transaction for which the certificate is used.)

Signature of authorized purchaser _____ Print name here _____ Title _____ Date _____

This is a multi-state form. Not all states allow all exemptions listed on this form. **Purchasers are responsible for knowing if they qualify to claim exemption from tax in the state that would otherwise be due tax on this sale.** The seller may be required to provide this exemption certificate (or the data elements required on the form) to a state that would otherwise be due tax on this sale.

The purchaser will be held liable for any tax and interest, and possibly civil and criminal penalties imposed by the member state, if the purchaser is not eligible to claim this exemption. A seller may not accept a certificate of exemption for an entity-based exemption on a sale made at a location operated by the seller within the designated state if the state does not allow such an entity-based exemption.

- 1.** Check if you are attaching the Multi-state Supplemental form.
 If not, enter the two-letter postal abbreviation for the state under whose laws you are claiming exemption.

- 2.** Check if this certificate is for a single purchase and enter the related invoice/purchase order # _____.

3. Please print

Name of purchaser				
Business Address		City	State	Zip Code
Purchaser's Tax ID Number		State of Issue	Country of Issue	
If no Tax ID Number Enter one of the following:	FEIN	Driver's License Number/State Issued ID Number	Foreign diplomat number	
		State of Issue: Number		
Name of seller from whom you are purchasing, leasing or renting				
Seller's address		City	State	Zip code

4. Type of business. Check the box that describes your business

- | | |
|---|---|
| <p>01 <input type="checkbox"/> Accommodation and food services</p> <p>02 <input type="checkbox"/> Agricultural, forestry, fishing, hunting</p> <p>03 <input type="checkbox"/> Construction</p> <p>04 <input type="checkbox"/> Finance and insurance</p> <p>05 <input type="checkbox"/> Information, publishing and communications</p> <p>06 <input type="checkbox"/> Manufacturing</p> <p>07 <input type="checkbox"/> Mining</p> <p>08 <input type="checkbox"/> Real estate</p> <p>09 <input type="checkbox"/> Rental and leasing</p> <p>10 <input type="checkbox"/> Retail trade</p> | <p>11 <input type="checkbox"/> Transportation and warehousing</p> <p>12 <input type="checkbox"/> Utilities</p> <p>13 <input type="checkbox"/> Wholesale trade</p> <p>14 <input type="checkbox"/> Business services</p> <p>15 <input type="checkbox"/> Professional services</p> <p>16 <input type="checkbox"/> Education and health-care services</p> <p>17 <input type="checkbox"/> Nonprofit organization</p> <p>18 <input type="checkbox"/> Government</p> <p>19 <input type="checkbox"/> Not a business</p> <p>20 <input type="checkbox"/> Other (<i>explain</i>) _____</p> |
|---|---|

5. Reason for exemption. Check the box that identifies the reason for the exemption.

- | | |
|--|---|
| <p>A <input type="checkbox"/> Federal government (<i>department</i>) _____</p> <p>B <input type="checkbox"/> Wisconsin state or local government unit
(<i>name</i>) _____</p> <p>C <input type="checkbox"/> Wisconsin tribal government
(<i>name</i>) _____</p> <p>D <input type="checkbox"/> Foreign diplomat # _____</p> <p>E <input type="checkbox"/> Charitable organization # _____</p> <p>F <input type="checkbox"/> Religious or educational organization # _____</p> <p>G <input type="checkbox"/> Resale # _____</p> | <p>H <input type="checkbox"/> Agricultural production _____</p> <p>I <input type="checkbox"/> Industrial production/manufacturing _____</p> <p>J <input type="checkbox"/> Direct pay permit # _____</p> <p>K <input type="checkbox"/> Direct mail _____</p> <p>L <input type="checkbox"/> Other (<i>explain</i>) _____</p> |
|--|---|

6. Sign here. *I declare that the information on this certificate is correct and complete to the best of my knowledge and belief.*

Signature of Authorized Purchaser	Print Name Here	Title	Date
--	------------------------	--------------	-------------



Screws Undercut Flat Head

For hinges and drawer slides. Seats flush in countersunk holes for finished look. Phillips drive. Type 17 auger point. Reduces "clicking" noise.



Zinc



Antique Brass



Bright Brass



Standard Flat Heads may penetrate into the wood, causing it to split. The head may also protrude slightly above the countersink holes in the hinge.



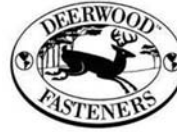
The *Undercut Flat Head* seats flush in the countersink holes providing a more aesthetically pleasing look in the finished product.

Product Code	Size	Finish	Box Qty.	List	1-4	5+
76-01-002	#6 x 7/16"	Zinc	1000	\$17.03	\$9.78	\$9.10
76-01-003	#6 x 7/16"	Zinc	5000	79.36	45.56	42.42
76-10-008	#6 x 7/16"	Zinc	35,000	502.74	288.61	268.70
76-10-009	#6 x 7/16"	Zinc	35,000	406.14	233.15	217.07
76-01-005	#6 x 1/2"	Zinc	1000	20.12	11.55	10.75
76-01-006	#6 x 1/2"	Zinc	5000	83.60	47.99	44.68
76-01-017	#6 x 1/2"	Antique Brass	1000	23.24	13.34	12.42
76-01-011	#6 x 1/2"	Bright Brass	1000	24.75	14.21	13.23
76-01-012	#6 x 1/2"	Bright Brass	5000	114.17	65.54	61.02
76-01-008	#6 x 5/8"	Zinc	1000	13.58	8.10	7.52
76-01-009	#6 x 5/8"	Zinc	5000	55.80	33.26	30.89
76-10-068	#6 x 5/8"	Zinc	25,000	425.87	244.48	227.62
76-01-015	#6 x 5/8"	Bright Brass	5000	119.18	68.42	63.70
76-01-020	#6 x 5/8"	Antique Brass	1000	24.75	14.21	13.23
76-01-021	#6 x 5/8"	Antique Brass	5000	117.26	67.31	62.67
76-03-168	#6 x 3/4"	Zinc	1000	22.88	13.14	12.23
76-03-169	#6 x 3/4"	Zinc	5000	104.35	59.90	55.77

*Represents #6 body with #5 head.

We have four locations to serve you:

- Maywood, IL
- Rockford, IL
- Indianapolis, IN
- White Bear Lake, MN



Hardware Screws

Phillips Drive – Flat Head

For installing overlay or “slab” hinges to outside of cabinet frame.



Product Code	Size	Finish	Box Qty.	List	1-4	5+
76-01-111	#5 x 5/8"	Zinc	5000	\$42.58	\$25.39	\$23.58
76-10-015	#5 x 5/8"	Zinc	32,000	260.36	160.22	148.78
76-03-031	#6 x 1/2"	Zinc	1000	11.12	6.63	6.16
76-03-034	#6 x 1/2"	Zinc	5000	91.36	54.46	50.57
76-03-043	#6 x 5/8"	Zinc	1000	10.10	6.02	5.59
76-03-046	#6 x 5/8"	Zinc	5000	49.12	29.28	27.19
76-01-100	#6 x 5/8"	Zinc	30,000	279.56	166.66	154.76
76-03-055	#6 x 3/4"	Zinc	1000	10.68	6.37	5.91
76-03-059	#6 x 1"	Zinc	1000	13.66	8.40	7.80
76-03-060	#6 x 1"	Zinc	13,500	182.42	112.26	104.24
76-03-061	#6 x 1-1/4"	Zinc	1000	14.76	9.08	8.43
76-03-062	#6 x 1-1/4"	Zinc	10,500	153.66	94.56	87.80
76-03-063	#6 x 1-1/2"	Zinc	1000	29.76	18.31	17.00
76-03-064	#6 x 1-1/2"	Zinc	8500	150.78	92.79	86.16
76-03-065	#8 x 5/8"	Zinc	1000	13.94	8.58	7.97
76-03-067	#8 x 3/4"	Zinc	1000	18.34	11.29	10.48
76-03-068	#8 x 3/4"	Zinc	15,000	216.92	133.49	123.95
76-01-121	#6 x 1"	Nickel	1000	21.28	12.22	11.37
76-01-110	#7 x 5/8"	Nickel	1000	17.06	10.17	9.44
76-01-123	#7 x 5/8"	Nickel	5000	118.59	68.08	63.38
76-01-124	#7 x 3/4"	Nickel	5000	106.00	63.19	58.68
76-01-122	#7 x 1"	Nickel	1000	25.17	14.45	13.45
76-03-085	#8 x 3/4"	Plain	1000	21.34	12.25	11.40
76-03-086	#8 x 3/4"	Plain	15,000	194.09	111.42	103.74

Visit our Web site at
www.aetnaplywood.com!



Hardware Screws

Flat Head

Product Code	Size	Finish	Box Qty.	List	1-4	5+
Phillips Drive						
76-01-131*	#6 x 1/2"	Nickel	1000	\$17.39	\$9.98	\$9.30
76-01-132*	#6 x 5/8"	Nickel	1000	18.55	10.65	9.91
76-01-129*	#6 x 5/8"	Nickel	5000	84.79	48.67	45.32
76-01-130*	#6 x 3/4"	Nickel	5000	90.99	52.24	48.63
76-10-040†	#6 x 1/2"	Zinc	25,000	339.81	195.07	181.62
76-10-062†	#6 x 5/8"	Zinc	30,000	323.44	199.04	184.82
76-10-098†	#6 x 3/4"	Zinc	24,000	292.56	180.04	167.18
76-10-136†	#8 x 5/8"	Zinc	14,000	250.54	143.83	133.91
76-10-154†	#8 x 3/4"	Zinc	12,000	250.71	143.93	134.00
76-10-211†	#9 x 3/4"	Zinc	10,000	232.37	133.40	124.20
#2 Square Drive						
76-03-428	#8 x 3/4"	Black	1000	17.44	10.73	9.96
76-03-103	#8 x 3/4"	Black	12,000	214.76	132.16	122.72
Combo Drive						
76-10-030	#6 x 1/2"	Zinc	25,000	207.00	118.83	110.64
76-10-420	#6 x 5/8"	Zinc	5000	80.10	45.98	42.81
76-10-053	#6 x 5/8"	Zinc	25,000	347.97	199.76	185.98

*.275" OD head allows use with hinge plates and drawer slides featuring tightly countersunk holes.

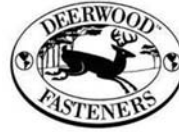
† Type 17 point.



Drawer Slide Screws

For use with full-extension ball bearing slides. Coarse Quick\$crews® thread pattern provides increased holding power while reducing "spin out" and "pull out".

Product Code	Size	Finish	Drive	Box Qty.	List	1-4	5+
Low-Profile Round Washer Head							
76-01-029	#8 x 7/16"	Zinc	Phillips	1000	\$24.42	\$14.02	\$13.05
76-01-030	#8 x 7/16"	Zinc	Phillips	5000	110.34	63.34	58.98
76-10-114	#8 x 7/16"	Zinc	Phillips	20,000	370.97	212.96	198.28
76-01-032	#8 x 1/2"	Zinc	Phillips	1000	21.66	12.44	11.58
76-01-031	#8 x 1/2"	Zinc	Phillips	5000	95.18	54.64	50.87
76-10-131	#8 x 1/2"	Zinc	Phillips	14,000	249.29	143.11	133.24
Truss Head							
76-01-127	#8 x 7/16"	Zinc	Combo	1000	22.44	12.88	11.99
76-03-467	#8 x 7/16"	Zinc	Combo	5000	102.36	58.76	54.71



Hinge Screws

For use with compact, institutional and knife hinges, as well as magnetic catches and mending plates. Features Type 17 auger point for reduced splitting when working near edge of material. QuickScrews® thread pattern provides increased holding power while reducing "spin out" and "pull out".



Truss Head Phillips



Washer Head Combo

Product Code	Size	Finish	Box Qty.	List	1-4	5+
Truss Head – Phillips Drive						
76-03-025	#8 x 5/8"	Antique Brass	1000	\$37.57	\$21.57	\$20.08
76-01-116	#8 x 5/8"	Antique Brass	10,000	309.54	177.70	165.44
76-03-023	#8 x 5/8"	Zinc	1000	27.07	15.54	14.47
76-01-114	#8 x 5/8"	Zinc	10,000	240.39	138.00	128.48
76-01-120	#8 x 3/4"	Zinc	1000	21.60	12.88	11.96
76-01-112	#8 x 3/4"	Zinc	10,000	219.02	130.57	121.24
Round Washer Head – Combo Drive						
76-10-178	#8 x 5/8"	Plain	12,000	206.32	126.96	117.89
76-01-113	#8 x 3/4"	Plain	1000	30.21	17.34	16.15
76-03-445	#8 x 3/4"	Zinc	1000	24.64	15.16	14.08
76-03-446	#8 x 3/4"	Zinc	10,000	202.40	124.55	115.66

Drawer Slide Screws

Euro Screw – Flat Head

For installing European drawer slide cabinet members into cabinets with 32mm system. 5mm diameter boring needed. Nickel finish.



Pozi



Square

Product Code	Size mm	Box Qty.	List	1-4	5+
Pozi Drive					
76-01-022	6.3 x 10	1000	\$17.92	\$10.69	\$9.92
76-01-023	6.3 x 10.5	1000	31.73	18.21	16.96
76-01-024	6.3 x 11.5	1000	20.24	12.07	11.20
76-01-025	6.3 x 13	1000	22.88	13.64	12.67
76-10-223	6.3 x 13	10,000	212.18	130.57	121.24
76-01-033	6.3 x 14.5	1000	24.22	14.44	13.41
76-01-034	6.3 x 14.5	10,000	228.22	136.05	126.34
76-03-466	6.3 x 18	1000	306.42	175.91	163.77
76-01-026	6.3 x 25	1000	49.08	29.26	27.17
Square Drive					
76-01-027*	6.3 x 13	1000	36.35	20.87	19.43
76-01-128*	6.3 x 13	10,000	340.40	195.41	181.94
Phillips Drive					
76-01-137	6.3 x 13	500	11.26	6.71	6.23
76-01-138	6.3 x 13	10,000	215.56	128.50	119.33

*For use with Grass® drawer slides requiring 7.5mm to 7.8mm screw heads.



Screws

Pan Head – Phillips Drive

Type 17 Auger Point. Reduces splitting when working near edge of material.



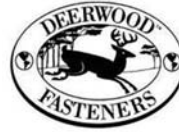
Standard Point



Type 17 Auger Point

Product Code	Size	Finish	Box Qty.	List	1-4	5+
Standard Point						
76-10-875	#8 x 3/4"	Black	1000	\$28.28	\$16.24	\$15.12
76-10-186	#8 x 3/4"	Black	10,000	228.81	131.36	122.30
76-10-188	#8 x 3/4"	Zinc	10,000	173.28	106.63	99.02
76-03-464	#8 x 1-1/4"	Zinc	9000	285.53	163.91	152.61
76-01-133	#10 x 3/4"	Nickel	1000	40.54	23.27	21.67
76-01-125	#10 x 3/4"	Nickel	9000	285.53	163.91	152.61
Type 17 Auger Point						
76-03-170	#6 x 1/2"	Zinc	1000	19.30	11.87	11.03
76-03-171	#6 x 1/2"	Zinc	5000	77.18	47.49	44.10
76-10-020	#6 x 1/2"	Zinc	30,000	335.80	206.65	191.89
76-01-117	#6 x 1/2"	Antique Brass	5000	140.11	80.43	74.88
76-03-172	#6 x 5/8"	Zinc	1000	28.64	16.44	15.31
76-03-173	#6 x 5/8"	Zinc	5000	110.34	63.34	58.98
76-10-072	#6 x 5/8"	Zinc	25,000	572.03	328.39	305.74
76-01-119	#6 x 5/8"	Antique Brass	1000	24.71	14.78	13.73
76-01-118	#6 x 5/8"	Antique Brass	5000	113.58	67.95	63.10
76-03-174	#8 x 5/8"	Zinc	1000	21.32	13.12	12.18
76-03-175	#8 x 5/8"	Zinc	12,000	262.64	161.62	150.08
76-03-176	#8 x 3/4"	Zinc	1000	29.41	16.88	15.72
76-03-177	#8 x 3/4"	Zinc	10,000	263.24	151.12	140.70
76-03-178	#8 x 1"	Zinc	1000	31.40	18.03	16.78
76-03-179	#8 x 1"	Zinc	9000	250.80	143.98	134.05
76-03-448	#10 x 5/8"	Nickel	1000	30.34	18.67	17.33
76-03-449	#10 x 3/4"	Nickel	1000	30.90	19.02	17.66
76-03-450	#10 x 1"	Nickel	1000	37.12	22.84	21.21
76-03-180	#12 x 5/8"	Zinc	1000	51.10	29.34	27.31
76-03-181	#12 x 3/4"	Zinc	1000	54.96	31.55	29.38
76-03-182	#12 x 1"	Zinc	1000	68.11	39.10	36.40
76-10-508	#12 x 1"	Zinc	5000	247.51	142.09	132.29

**Phone or FAX
your order today!!**



Machine Screws

Truss Head – Phillips/Slotted Drive

For use on knobs, pulls, handles and similar hardware. #8-32 thread pattern. Zinc finish.



Product Code	Length In.	Box Qty.	List	1-4	5+
76-03-411	7/8	100	\$2.16	\$1.32	\$1.23
76-03-412	7/8	1000	17.66	10.86	10.09
76-03-413	1	100	2.38	1.47	1.36
76-03-414	1	1000	19.58	12.05	11.19
76-03-415	1-1/8	100	2.58	1.59	1.48
76-03-416	1-1/8	1000	21.24	13.08	12.14
76-03-417	1-1/4	100	2.80	1.72	1.60
76-03-418	1-1/4	1000	23.04	14.17	13.16
76-03-419	1-3/8	100	3.04	1.87	1.73
76-03-420	1-3/8	1000	24.92	15.34	14.24
76-03-421	1-1/2	100	3.18	1.96	1.82
76-03-422	1-1/2	1000	26.20	16.12	14.97
76-03-423	1-3/4	100	3.60	2.22	2.06
76-03-424	1-3/4	1000	29.58	18.21	16.91
76-03-425	2	100	3.92	2.41	2.24
76-03-426	2	1000	32.20	19.82	18.40

Metric Machine Screws

Truss Head – Phillips/Slotted Drive

For use on knobs, pulls, handles and similar hardware. M4 thread pattern. Zinc finish.



Product Code	Length mm	Box Qty.	List	1-4	5+
76-03-395	22	100	\$3.71	\$2.13	\$1.98
76-03-396	22	1000	34.04	19.54	18.19
76-03-397	25	100	4.04	2.32	2.16
76-03-398	25	1000	35.58	20.43	19.02
76-10-335	25	7000	227.69	130.71	121.69
76-03-399	30	100	4.24	2.44	2.27
76-03-400	30	1000	36.35	20.87	19.43
76-03-401	35	100	4.48	2.57	2.40
76-03-402	35	1000	37.93	21.77	20.27
76-03-403	38	100	4.63	2.66	2.47
76-03-404	38	1000	41.04	23.56	21.94
76-03-405	40	100	4.84	2.78	2.59
76-03-406	40	1000	42.20	24.23	22.56
76-03-407	45	100	5.07	2.91	2.71
76-03-408	45	1000	46.86	26.90	25.05
76-03-409	50	100	5.22	3.00	2.79
76-03-410	50	1000	48.76	27.99	26.06



Breakaway Machine Screws Truss Head – Phillips/Slotted Drive

Breaks in 1/8" increments. Zinc finish. it # 3748034



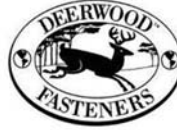
Product Code	Size	Box Qty.	List	1-4	5+
76-03-320	#8-32 x 1-3/4"	100	\$50.82	\$31.27	\$29.04
76-03-321	#8-32 x 1-3/4"	1000	41.74	25.69	23.85
76-03-322	M4 x 45mm	100	4.98	3.07	2.85
76-03-323	M4 x 45mm	1000	40.94	25.19	23.39

Drawer Front Adjusting Screws Large Round Washer Head

Zinc finish.



Product Code	Size	Box Qty.	List	1-4	5+
Phillips Drive – Standard Point					
76-02-091	#8 x 1"	1000	\$39.11	\$22.45	\$20.91
76-01-102	#8 x 1"	7000	249.08	142.99	133.13
76-02-092	#8 x 1-1/8"	1000	41.04	23.56	21.94
76-01-103	#8 x 1-1/8"	6000	225.43	129.41	120.49
76-02-093	#8 x 1-1/4"	1000	42.56	24.43	22.75
76-02-094	#8 x 1-1/4"	6000	236.83	135.96	126.58
Combo Drive – Standard Point					
76-03-367	#8 x 1"	1000	34.84	20.00	18.62
76-03-368	#8 x 1"	7000	219.79	126.18	117.47
76-03-369	#8 x 1-1/8"	1000	40.66	23.34	21.73
76-03-370	#8 x 1-1/8"	6000	220.80	126.76	118.01
76-03-371	#8 x 1-1/4"	1000	41.79	23.99	22.33
76-03-372	#8 x 1-1/4"	6000	227.57	130.64	121.63
Phillips Drive – Type 17 Point					
76-03-361	#8 x 1"	1000	36.16	22.25	20.66
76-03-362	#8 x 1"	7000	207.90	127.93	118.80
76-03-363	#8 x 1-1/8"	1000	37.56	23.11	21.46
76-03-364	#8 x 1-1/8"	6500	200.52	123.40	114.58
76-03-365	#8 x 1-1/4"	1000	40.18	24.73	22.96
76-03-366	#8 x 1-1/4"	5000	214.54	132.02	122.59
Combo Drive – Type 17 Point					
76-01-134	#8 x 1"	7000	205.66	122.61	113.85
76-10-896	#8 x 1"	1000	34.66	21.32	19.80
76-10-923	#8 x 1-1/8"	1000	45.67	26.22	24.41
76-01-135	#8 x 1-1/8"	6500	197.72	117.88	109.46
76-10-940	#8 x 1-1/4"	1000	48.76	27.99	26.06
76-10-341	#8 x 1-1/4"	6000	222.94	127.98	119.16



Face Frame/Pocket Hole Screws

Type 17 point. Plain finish.



Pan Head Phillips



Modified Pan Head Square

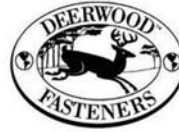


Washer Head Square

Product Code	Size	Thread	Finish	Box Qty.	List	1-4	5+
Pan Head – Phillips Drive							
76-03-013	#6 x 1-1/4"	Fine	Black	1000	\$26.26	\$15.65	\$14.54
76-03-014	#6 x 1-1/4"	Fine	Black	10,000	204.16	121.71	113.01
76-03-015	#6 x 1-1/2"	Fine	Black	1000	30.50	18.18	16.88
76-03-016	#6 x 1-1/2"	Fine	Black	8500	199.96	119.21	110.70
Pan Head – Square Drive							
76-03-480	#6 x 1-1/4"	Fine	Black	1000	22.24	13.68	12.71
76-03-481	#6 x 1-1/4"	Fine	Black	7500	156.34	96.21	89.34
76-03-482	#6 x 1-1/2"	Fine	Black	1000	24.62	15.14	14.06
76-03-483	#6 x 1-1/2"	Fine	Black	6000	137.44	84.58	78.54
Modified Pan Head – Square Drive							
76-10-463	#6 x 1	Fine	Plain	10,000	255.52	146.69	136.57
76-03-001	#6 x 1-1/4"	Fine	Plain	1000	28.62	17.06	15.84
76-03-002	#6 x 1-1/4"	Fine	Plain	7500	165.82	98.86	91.79
76-03-009*	#6 x 1-1/4"	Fine	Plain	1000	36.35	20.87	19.43
76-03-010*	#6 x 1-1/4"	Fine	Plain	8000	263.30	151.15	140.73
76-03-003	#6 x 1-1/2"	Fine	Plain	1000	25.96	15.48	14.38
76-03-004	#6 x 1-1/2"	Fine	Plain	7000	157.58	93.95	87.24
76-03-011*	#6 x 1-1/2"	Fine	Plain	1000	40.24	23.10	21.51
76-03-012*	#6 x 1-1/2"	Fine	Plain	7000	241.19	138.46	128.91
76-03-005	#7 x 1-1/4"	Hi-Lo	Plain	1000	28.46	16.96	15.75
76-03-006	#7 x 1-1/4"	Hi-Lo	Plain	8000	164.94	98.32	91.30
76-03-007	#7 x 1-1/2"	Hi-Lo	Plain	1000	33.68	20.07	18.64
76-03-008	#7 x 1-1/2"	Hi-Lo	Plain	7000	158.84	94.69	87.93
76-03-183	#7 x 1-1/4"	Coarse	Plain	1000	23.44	14.42	13.39
76-03-184	#7 x 1-1/4"	Coarse	Plain	8000	163.92	100.87	93.66
76-03-185	#7 x 1-1/2"	Coarse	Plain	1000	25.96	15.98	14.84
76-03-186	#7 x 1-1/2"	Coarse	Plain	7000	145.42	89.49	83.10
Round Washer Head – Square Drive							
76-03-191	#7 x 1-1/4"	Fine	Plain	1000	37.93	21.77	20.27
76-03-192	#7 x 1-1/4"	Fine	Plain	8000	272.32	156.33	145.55
76-03-193	#7 x 1-1/2"	Fine	Plain	1000	43.36	24.89	23.17
76-03-194	#7 x 1-1/2"	Fine	Plain	6000	227.57	130.64	121.63
76-10-284	#8 x 1	Coarse	Plain	8000	260.21	149.38	139.08
76-03-187	#8 x 1-1/4"	Coarse	Plain	1000	25.10	15.45	14.34
76-03-188	#8 x 1-1/4"	Coarse	Plain	8000	143.34	88.21	81.91
76-03-189	#8 x 1-1/2"	Coarse	Plain	1000	30.48	18.76	17.42
76-03-190	#8 x 1-1/2"	Coarse	Plain	7000	125.20	77.05	71.55

* Indicates Double Auger: type 17 tip with side cutter.

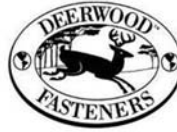
**Our pledge is
dedication to outstanding
customer service.**



Assembly Screws Flat Head – Phillips Drive

Product Code	Size	Finish	Box Qty.	List	1-4	5+
76-01-115	#8 x 1-1/2"	Black	7000	\$157.68	\$94.00	\$87.29
76-01-105	#8 x 1-3/4"	Black	4000	123.94	73.88	68.61
76-01-106	#8 x 2"	Black	4000	114.80	68.43	63.55
76-01-107	#8 x 2-1/2"	Black	2500	93.34	55.64	51.67
76-01-108	#8 x 3"	Black	2000	90.58	54.00	50.14
76-03-087	#8 x 1"	Plain	1000	23.24	13.34	12.42
76-03-088	#8 x 1"	Plain	10,000	212.79	122.16	113.73
76-03-089	#8 x 1-1/4"	Plain	1000	25.55	14.67	13.66
76-03-090	#8 x 1-1/4"	Plain	9000	209.14	120.06	111.78
76-03-091	#8 x 1-1/2"	Plain	1000	32.41	18.60	17.32
76-03-092	#8 x 1-1/2"	Plain	7000	184.27	105.78	98.49
76-03-093	#8 x 1-5/8"	Plain	1000	32.53	18.67	17.38
76-03-094	#8 x 1-5/8"	Plain	5000	152.99	87.83	81.77
76-03-095	#8 x 1-3/4"	Plain	1000	34.04	19.54	18.19
76-03-096	#8 x 1-3/4"	Plain	5000	154.77	88.85	82.72
76-03-097	#8 x 2"	Plain	1000	45.32	26.02	24.22
76-03-098	#8 x 2"	Plain	4000	155.03	89.00	82.86
76-03-099	#8 x 2-1/2"	Plain	500	24.19	13.89	12.93
76-03-100	#8 x 2-1/2"	Plain	2500	110.25	63.29	58.93
76-03-101	#8 x 3"	Plain	500	29.05	16.68	15.53
76-03-102	#8 x 3"	Plain	2000	112.42	64.54	60.09
76-03-070	#8 x 1"	Zinc	11,000	191.64	117.94	109.51
76-03-071	#8 x 1-1/4"	Zinc	1000	21.70	13.36	12.40
76-03-072	#8 x 1-1/4"	Zinc	9000	177.24	109.07	101.28
76-03-073	#8 x 1-1/2"	Zinc	1000	28.46	17.51	16.26
76-03-074	#8 x 1-1/2"	Zinc	7000	163.62	100.69	93.50
76-03-075	#8 x 1-5/8"	Zinc	1000	31.30	19.26	17.88
76-03-076	#8 x 1-5/8"	Zinc	5500	141.36	86.99	80.78
76-03-077	#8 x 1-3/4"	Zinc	1000	33.00	20.31	18.86
76-03-078	#8 x 1-3/4"	Zinc	4800	130.14	80.08	74.36
76-03-079	#8 x 2"	Zinc	1000	29.50	18.15	16.86
76-03-080	#8 x 2"	Zinc	4000	85.44	52.58	48.83
76-03-081	#8 x 2-1/2"	Zinc	1000	22.56	13.88	12.89
76-03-082	#8 x 2-1/2"	Zinc	2500	92.64	57.01	52.94
76-03-083	#8 x 3"	Zinc	1000	28.12	17.31	16.07
76-03-084	#8 x 3"	Zinc	2000	92.40	56.86	52.80

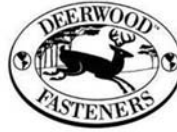
We appreciate your business!



Assembly Screws Flat Head – Square Drive

Product Code	Size	Finish	Box Qty.	List	1-4	5+
76-03-429	#8 x 1"	Black	1000	\$16.64	\$10.24	\$9.51
76-03-104	#8 x 1"	Black	11,000	183.42	112.88	104.81
76-01-109	#8 x 1-1/4"	Zinc	9000	182.70	108.91	101.13
76-03-431	#8 x 1-1/4"	Black	1000	20.50	12.62	11.71
76-03-105	#8 x 1-1/4"	Black	9000	175.44	107.96	100.25
76-03-430	#8 x 1-1/2"	Black	1000	22.80	14.03	13.03
76-03-106	#8 x 1-1/2"	Black	7000	151.34	93.13	86.48
76-03-432	#8 x 1-3/4"	Black	1000	31.72	19.51	18.12
76-03-107	#8 x 1-3/4"	Black	4000	104.20	64.12	59.54
76-03-433	#8 x 2"	Black	1000	31.54	19.41	18.02
76-03-108	#8 x 2"	Black	3000	83.40	51.33	47.66
76-03-434	#8 x 2-1/2"	Black	500	20.78	12.78	11.87
76-03-109	#8 x 2-1/2"	Black	2500	95.56	58.80	54.60
76-03-435	#8 x 3"	Black	500	20.22	12.45	11.56
76-03-110	#8 x 3"	Black	2000	78.72	48.44	44.98

**Not all the products we carry
are listed in this catalog.
If you don't see what you're looking for,
please contact your local branch
for assistance.**



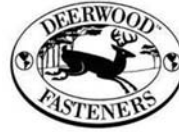
Assembly Screws

Flat Head w/ Nibs – Phillips Drive

Self-countersinking. Features smooth shank, Type 17 auger point and Zip Driver thread pattern.

Product Code	Size	Finish	Box Qty.	List	1-4	5+
76-03-111	#8 x 1"	Black	1000	\$19.58	\$12.05	\$11.19
76-03-112	#8 x 1"	Black	11,000	198.60	122.22	113.49
76-10-205	#8 x 1-1/8"	Black	10,000	255.52	146.69	136.57
76-03-113	#8 x 1-1/4"	Black	1000	87.40	53.78	49.94
76-03-114	#8 x 1-1/4"	Black	9000	186.56	114.81	106.61
76-03-115	#8 x 1-1/2"	Black	1000	24.82	15.27	14.18
76-03-116	#8 x 1-1/2"	Black	7000	162.00	99.70	92.58
76-03-117	#8 x 1-5/8"	Black	1000	25.94	15.96	14.82
76-03-118	#8 x 1-5/8"	Black	5500	138.68	85.34	79.24
76-03-119	#8 x 1-3/4"	Black	1000	29.02	17.85	16.58
76-03-120	#8 x 1-3/4"	Black	4800	129.16	79.49	73.81
76-03-121	#8 x 2"	Black	1000	30.54	18.79	17.45
76-03-122	#8 x 2"	Black	4000	116.38	71.62	66.50
76-03-123	#8 x 2-1/4"	Black	1000	34.44	21.20	19.68
76-03-124	#8 x 2-1/4"	Black	3500	113.90	70.10	65.09
76-03-125	#8 x 2-1/2"	Black	500	22.94	14.12	13.11
76-03-126	#8 x 2-1/2"	Black	2500	94.22	57.99	53.84
76-03-127	#8 x 3"	Black	500	27.72	17.06	15.84
76-03-128	#8 x 3"	Black	2000	91.08	56.05	52.05
76-03-129	#8 x 1"	Zinc	1000	19.10	11.75	10.91
76-03-130	#8 x 1"	Zinc	11,000	200.50	123.39	114.57
76-03-131	#8 x 1-1/4"	Zinc	1000	22.52	13.85	12.86
76-03-132	#8 x 1-1/4"	Zinc	9000	187.86	115.60	107.34
76-03-133	#8 x 1-1/2"	Zinc	1000	24.58	15.13	14.05
76-03-134	#8 x 1-1/2"	Zinc	7000	164.02	100.94	93.73
76-03-135	#8 x 1-5/8"	Zinc	1000	27.00	16.61	15.43
76-03-136	#8 x 1-5/8"	Zinc	5500	140.26	86.31	80.15
76-03-137	#8 x 1-3/4"	Zinc	1000	28.76	17.69	16.43
76-03-138	#8 x 1-3/4"	Zinc	4800	129.58	79.74	74.05
76-03-139	#8 x 2"	Zinc	1000	30.80	18.95	17.60
76-03-140	#8 x 2"	Zinc	4000	117.30	72.18	67.03
76-03-141	#8 x 2-1/4"	Zinc	1000	33.70	20.74	19.25
76-03-142	#8 x 2-1/4"	Zinc	3500	113.60	69.91	64.92
76-03-143	#8 x 2-1/2"	Zinc	500	20.28	12.47	11.58
76-03-144	#8 x 2-1/2"	Zinc	2500	94.80	58.34	54.17
76-03-145	#8 x 3"	Zinc	500	28.08	17.27	16.04
76-03-146	#8 x 3"	Zinc	2000	92.24	56.76	52.70





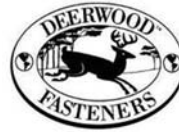
Assembly Screws

Flat Head w/ Nibs – Combo Drive

Self-countersinking. Features smooth shank, Type 17 auger point and Zip Driver thread pattern.

Product Code	Size	Finish	Box Qty.	List	1-4	5+
76-03-148	#8 x 1"	Black	1000	\$19.40	\$11.94	\$11.09
76-03-147	#8 x 1"	Black	11,000	206.52	127.08	118.01
76-02-077	#8 x 1-1/4"	Black	1000	22.44	13.38	12.42
76-02-078	#8 x 1-1/4"	Black	9000	192.58	114.81	106.61
76-02-079	#8 x 1-1/2"	Black	1000	24.36	14.53	13.49
76-02-080	#8 x 1-1/2"	Black	7000	170.76	101.80	94.53
76-02-081	#8 x 1-5/8"	Black	1000	25.76	15.36	14.26
76-02-082	#8 x 1-5/8"	Black	5500	141.68	84.46	78.43
76-03-149	#8 x 1-3/4"	Black	1000	110.18	67.80	62.95
76-03-150	#8 x 1-3/4"	Black	4800	127.38	78.38	72.79
76-02-083	#8 x 2"	Black	1000	36.34	21.67	20.12
76-02-084	#8 x 2"	Black	4000	119.42	71.19	66.11
76-02-085	#8 x 2-1/4"	Black	1000	40.82	24.34	22.60
76-02-086	#8 x 2-1/4"	Black	3500	117.38	69.97	64.98
76-02-087	#8 x 2-1/2"	Black	1000	47.58	28.37	26.34
76-02-088	#8 x 2-1/2"	Black	2500	97.72	58.25	54.09
76-02-089	#8 x 3"	Black	1000	28.38	16.92	15.71
76-02-090	#8 x 3"	Black	2000	93.24	55.59	51.62
76-03-151	#8 x 1"	Zinc	1000	19.26	11.85	11.01
76-03-152	#8 x 1"	Zinc	11,000	211.26	130.00	120.72
76-03-153	#8 x 1-1/4"	Zinc	1000	21.96	13.52	12.55
76-03-154	#8 x 1-1/4"	Zinc	9000	187.86	115.60	107.34
76-03-155	#8 x 1-1/2"	Zinc	1000	24.44	15.04	13.96
76-03-156	#8 x 1-1/2"	Zinc	7000	162.82	100.19	93.04
76-03-157	#8 x 1-5/8"	Zinc	1000	25.54	15.71	14.59
76-03-158	#8 x 1-5/8"	Zinc	5500	139.16	85.63	79.51
76-10-487	#8 x 1-3/4"	Zinc	4800	201.21	115.51	107.54
76-03-159	#8 x 2"	Zinc	1000	30.56	18.81	17.46
76-03-160	#8 x 2"	Zinc	4000	117.64	72.40	67.23
76-03-161	#8 x 2-1/4"	Zinc	1000	35.24	21.69	20.14
76-03-162	#8 x 2-1/4"	Zinc	3500	114.42	70.41	65.38
76-03-163	#8 x 2-1/2"	Zinc	1000	23.08	14.20	13.19
76-03-164	#8 x 2-1/2"	Zinc	2500	94.80	58.34	54.17
76-03-165	#8 x 3"	Zinc	1000	27.84	17.13	15.91
76-03-166	#8 x 3"	Zinc	2000	91.48	56.30	52.28





Assembly Screws

Flat Head w/ Nibs – Square Drive

Self-countersinking. Features smooth shank, Type 17 auger point and ZipDriver thread pattern.



Product Code	Size	Finish	Box Qty.	List	1-4	5+
76-10-917	#8 x 1"	Black	1000	\$24.75	\$14.21	\$13.23
76-10-171	#8 x 1"	Black	11,000	246.80	141.68	131.91
76-10-958	#8 x 1-1/4"	Black	1000	22.06	13.57	12.60
76-10-252	#8 x 1-1/4"	Black	9000	184.74	113.69	105.57
76-10-988	#8 x 1-1/2"	Black	1000	34.46	19.78	18.42
76-10-323	#8 x 1-1/2"	Black	7000	216.67	124.39	115.81
76-11-007	#8 x 1-5/8"	Black	1000	37.93	21.77	20.27
76-10-356	#8 x 1-5/8"	Black	5500	211.36	121.34	112.97
76-10-543	#8 x 2"	Black	4000	162.63	93.36	86.92
76-10-619	#8 x 2-1/2"	Black	2500	154.25	88.55	82.44
76-10-655	#8 x 3"	Black	2000	139.42	80.04	74.52
76-10-918	#8 x 1"	Zinc	1000	25.55	14.67	13.66
76-10-172	#8 x 1"	Zinc	11,000	246.80	141.68	131.91
76-10-989	#8 x 1-1/4"	Zinc	1000	33.68	19.34	18.00
76-10-253	#8 x 1-1/4"	Zinc	9000	244.93	140.61	130.91
76-10-620	#8 x 2-1/2"	Zinc	2500	150.09	86.16	80.22
76-10-654	#8 x 3"	Zinc	2000	135.51	77.79	72.43
76-10-675	#10 x 3-1/2"	Zinc	1500	146.90	84.33	78.52

We carry products from the world's largest and best manufacturers.

Centralize your purchases with us!



Hardwood Assembly Screws

Flat Head w/ Nibs – Phillips Drive

Features QuickCutter™ extra-coarse thread pattern for increased holding power. Does not require pilot hole. Double auger. Type 17 point.



Product Code	Size	Finish	Box Qty.	List	1-4	5+
76-02-001	#8 x 1"	Zinc	1000	\$37.13	\$21.31	\$19.84
76-02-002	#8 x 1"	Zinc	11,000	340.49	195.47	181.99
76-02-003	#8 x 1-1/4"	Zinc	1000	41.13	23.61	21.98
76-02-004	#8 x 1-1/4"	Zinc	9000	307.96	176.79	164.60
76-02-005	#8 x 1-1/2"	Zinc	1000	47.22	27.11	25.24
76-02-006	#8 x 1-1/2"	Zinc	7000	282.32	162.07	150.90
76-02-007	#8 x 1-5/8"	Zinc	1000	52.74	30.27	28.19
76-02-008	#8 x 1-5/8"	Zinc	6000	272.26	156.30	145.52
76-02-009	#8 x 1-3/4"	Zinc	1000	55.02	31.59	29.41
76-02-010	#8 x 1-3/4"	Zinc	5000	232.23	133.31	124.12
76-02-011	#8 x 2"	Zinc	1000	60.75	34.87	32.47
76-02-012	#8 x 2"	Zinc	4000	219.85	126.21	117.51
76-02-013	#8 x 2-1/4"	Zinc	1000	69.21	39.73	36.99
76-02-014	#8 x 2-1/4"	Zinc	3000	185.72	106.62	99.26
76-02-015	#8 x 2-1/2"	Zinc	500	40.66	23.34	21.73
76-02-016	#8 x 2-1/2"	Zinc	2500	178.95	102.73	95.65
76-02-017	#8 x 3"	Zinc	500	51.10	29.34	27.31
76-02-018	#8 x 3"	Zinc	2000	169.58	97.35	90.64
76-02-019	#10 x 3-1/2"	Zinc	250	41.49	23.82	22.18
76-02-020	#10 x 3-1/2"	Zinc	1000	148.59	85.30	79.42
76-02-021	#10 x 4"	Zinc	250	52.47	30.12	28.04
76-02-022	#10 x 4"	Zinc	1000	182.25	104.62	97.41
76-02-039	#8 x 1"	Plain	1000	34.37	19.73	18.37
76-02-040	#8 x 1"	Plain	11,000	332.33	190.78	177.62
76-02-041	#8 x 1-1/4"	Plain	1000	41.90	24.06	22.40
76-02-042	#8 x 1-1/4"	Plain	9000	306.36	175.87	163.74
76-02-043	#8 x 1-1/2"	Plain	1000	48.17	27.65	25.74
76-02-044	#8 x 1-1/2"	Plain	7000	261.96	150.39	140.01
76-02-045	#8 x 1-5/8"	Plain	1000	49.56	28.45	26.49
76-02-046	#8 x 1-5/8"	Plain	6000	253.21	145.36	135.34
76-02-047	#8 x 1-3/4"	Plain	1000	62.03	35.61	33.15
76-02-048	#8 x 1-3/4"	Plain	5000	222.58	127.78	118.97
76-02-049	#8 x 2"	Plain	1000	64.52	37.04	34.48
76-02-050	#8 x 2"	Plain	4000	209.05	120.01	111.73
76-02-051	#8 x 2-1/4"	Plain	1000	70.19	40.29	37.51
76-02-052	#8 x 2-1/4"	Plain	3000	175.39	100.69	93.74
76-02-053	#8 x 2-1/2"	Plain	500	38.64	22.18	20.65
76-02-054	#8 x 2-1/2"	Plain	2500	151.87	87.19	81.17
76-02-055	#8 x 3"	Plain	500	54.25	31.14	29.00
76-02-056	#8 x 3"	Plain	2000	154.80	88.87	82.74
76-02-057	#10 x 3-1/2"	Plain	250	40.78	23.41	21.79
76-02-058	#10 x 3-1/2"	Plain	1000	126.93	72.87	67.84
76-02-059	#10 x 4"	Plain	250	45.08	25.88	24.09
76-02-060	#10 x 4"	Plain	1000	156.79	90.01	83.80



Hardwood Assembly Screws

Combo Drive

Features QuickCutter™ extra-coarse thread pattern for increased holding power. Does not require pilot hole. Double auger with type 17 point.



Flat Head



Washer Head

Product Code	Size	Finish	Box Qty.	List	1-4	5+
Flat Head w/ Nibs						
76-02-023	#8 x 1-1/4"	Zinc	1000	\$42.47	\$24.38	\$22.70
76-02-024	#8 x 1-1/4"	Zinc	9000	323.99	185.99	173.17
76-02-025	#8 x 1-1/2"	Zinc	1000	56.18	32.25	30.03
76-02-026	#8 x 1-1/2"	Zinc	7000	284.81	163.50	152.23
76-02-027	#8 x 1-5/8"	Zinc	1000	61.91	35.54	33.09
76-02-028	#8 x 1-5/8"	Zinc	6000	267.81	153.74	143.14
76-02-029	#8 x 1-3/4"	Zinc	1000	65.08	37.36	34.79
76-02-030	#8 x 1-3/4"	Zinc	5000	235.49	135.19	125.87
76-02-031	#8 x 2"	Zinc	1000	72.71	41.74	38.86
76-02-032	#8 x 2"	Zinc	4000	208.69	119.80	111.54
76-02-033	#8 x 2-1/4"	Zinc	1000	82.03	47.09	43.84
76-02-034	#8 x 2-1/4"	Zinc	3000	171.74	98.59	91.79
76-02-035	#8 x 2-1/2"	Zinc	500	44.28	25.42	23.67
76-02-036	#8 x 2-1/2"	Zinc	2500	148.46	85.23	79.35
76-02-037	#8 x 3"	Zinc	500	47.51	27.28	25.40
76-02-038	#8 x 3"	Zinc	2000	159.07	91.32	85.02
Round Washer Head						
76-02-061	#8 x 1-1/4"	Plain	1000	41.82	24.01	22.35
76-02-062	#8 x 1-1/4"	Plain	9000	294.61	169.13	157.46
76-02-063	#8 x 1-1/2"	Plain	1000	46.95	26.95	25.09
76-02-064	#8 x 1-1/2"	Plain	7000	261.96	150.39	140.01
76-02-067	#8 x 1-3/4"	Plain	1000	54.75	31.43	29.27
76-02-068	#8 x 1-3/4"	Plain	5000	214.12	122.92	114.44
76-02-069	#8 x 2"	Plain	1000	60.13	34.52	32.14
76-02-070	#8 x 2"	Plain	4000	188.39	108.15	100.69
76-02-071	#8 x 2-1/4"	Plain	1000	69.71	40.02	37.26
76-02-072	#8 x 2-1/4"	Plain	3000	164.26	94.30	87.80
76-02-073	#8 x 2-1/2"	Plain	500	37.51	21.53	20.05
76-02-074	#8 x 2-1/2"	Plain	2500	147.57	84.72	78.87
76-02-075	#8 x 3"	Plain	500	48.11	27.62	25.71
76-02-076	#8 x 3"	Plain	2000	150.41	86.34	80.39
Round Washer Head						
76-10-492	#8 x 1-3/4"	Plain	5000	226.59	130.08	121.11
76-10-565	#8 x 2-1/4"	Plain	3000	168.45	96.70	90.03

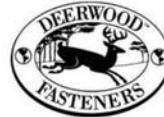


Rigid Assembly System Screws

Hi-Lo™ – System 1

Features twin-thread design for faster insertion. Funnel head eliminates need for countersinking. Case-hardened steel construction with phosphate finish. 7.6mm head diameter.

Product Code	Length mm	Case Qty.	List	1-4	5+
76-03-329	33	7000	\$203.09	\$154.73	\$144.41
76-03-335	38	5000	170.63	130.00	121.33
76-03-338	45	250	11.07	8.43	7.87
76-03-341	45	4000	141.65	107.92	100.73
76-03-343	50	250	17.60	13.40	12.51
76-03-347	55	250	26.27	20.01	18.67
76-03-348	55	3000	252.12	192.09	179.28



Connecting Screws – Conformat Style

Flat head, Pozi drive. Industrial strength furniture fasteners provide tight-fitting panel joints with reduced "spin out" and "pull out". 7mm x 50mm. Zinc finish. 2500 per box.

Note: Requires pre-drilled pilot hole in most applications.



Blunt Tip

Sharp Point

Product Code	Description	List	1-4	5+
76-03-017	Blunt tip	\$115.50	\$68.86	\$63.94
76-03-018	Nibs and blunt tip	162.16	93.09	86.67
76-03-019	Nibs and sharp point	142.98	85.23	79.14
75-17-838	Conformat bit for 5mm bore	34.04	20.94	19.45
75-17-839	Conformat bit for 7mm bore	36.56	22.50	20.89

Spiral Point Funnel Head Screws

The **Spiral Point** allows the screw to be driven into almost any material without a pilot hole. The **Funnel Head** countersinks into the material, and stops right below the surface, leaving a clean hole void of chips and cracks. **Less torque is required to drive the screws.** The result is a reduction in user fatigue. **Single Drive Draw Down in all types of wood.** The QuickCutter® Thread is designed to force the wood dust up and out of the hole, eliminating the need to back the screw out and re-drive it.



Spiral Funnel Head

Product Code	Size	Finish	Box Qty.	List	1-4	5+
76-11-300	8 x 1"	Zinc	1000	\$47.01	\$26.99	\$25.13
76-11-301	8 x 1"	Zinc	11,000	470.42	270.05	251.43
76-11-302	8 x 1-1/8"	Zinc	1000	49.03	28.15	26.20
76-11-303	8 x 1-1/8"	Zinc	10,000	446.05	256.07	238.41
76-11-304	8 x 1-1/4"	Zinc	1000	51.94	29.81	27.76
76-11-305	8 x 1-1/4"	Zinc	9000	424.15	243.49	226.70
76-11-306	8 x 1-3/8"	Zinc	1000	53.09	30.48	28.38
76-11-307	8 x 1-3/8"	Zinc	8000	386.28	221.75	206.46
76-11-308	8 x 1-1/2"	Zinc	1000	55.62	31.93	29.73
76-11-309	8 x 1-1/2"	Zinc	7000	353.58	202.98	188.98
76-11-310	8 x 1-5/8"	Zinc	1000	58.64	33.67	31.34
76-11-311	8 x 1-5/8"	Zinc	6000	320.69	184.10	171.41
76-11-312	8 x 1-3/4"	Zinc	1000	64.52	37.04	34.48
76-11-313	8 x 1-3/4"	Zinc	5000	293.21	168.33	156.72
76-11-314	8 x 2"	Zinc	1000	68.20	39.15	36.45
76-11-315	8 x 2"	Zinc	4000	247.63	142.16	132.35
76-11-316	8 x 2-1/2"	Zinc	500	41.46	23.80	22.16
76-11-317	8 x 2-1/2"	Zinc	2500	167.75	96.30	89.66
76-11-318	8 x 3"	Zinc	500	46.80	26.87	25.01
76-11-319	8 x 3"	Zinc	2000	151.18	86.79	80.80
76-11-320	8 x 3-1/2"	Zinc	250	32.41	18.60	17.32
76-11-321	8 x 3-1/2"	Zinc	1500	176.64	101.40	94.41
76-11-322	8 x 4"	Zinc	250	36.50	20.96	19.51
76-11-323	8 x 4"	Zinc	1000	133.43	76.60	71.32

Chicago, IL

Phone: 708-343-1515
FAX: 708-343-1616

Rockford, IL

Phone: 815-968-0921
FAX: 815-968-4720

Indianapolis, IN

Phone: 317-353-6281
FAX: 317-356-3503

Twin Cities, MN

Phone: 651-407-2800
FAX: 651-407-2801



Combo Drive



Phillips Drive

Cabinet Installation Screws

Round Washer Head

Product Code	Size	Finish	Box Qty.	List	1-4	5+
Combo Drive – QuickCutter™						
76-03-373	#10 x 2-1/2"	Zinc	500	\$58.02	\$33.31	\$31.01
76-03-374	#10 x 2-1/2"	Zinc	1500	153.80	88.29	82.21
76-03-375	#10 x 3"	Zinc	500	73.18	42.01	39.12
76-03-376	#10 x 3"	Zinc	1500	175.30	100.64	93.70
76-03-377	#10 x 3-1/2"	Zinc	250	48.34	27.75	25.84
76-03-378	#10 x 3-1/2"	Zinc	1000	162.54	93.31	86.88
76-03-379	#10 x 4"	Zinc	250	53.39	30.65	28.54
76-03-380	#10 x 4"	Zinc	1000	202.31	116.14	108.13
#3 Phillips Drive – QX2™ – Extra Sharp Point w/ Side Cutter						
76-03-381	#10 x 2-1/2"	Zinc w/white head	500	79.36	45.56	42.42
76-03-382	#10 x 2-1/2"	Zinc w/white head	1500	194.49	111.65	103.95
76-03-383	#10 x 3"	Zinc w/white head	500	98.68	56.65	52.74
76-03-384	#10 x 3"	Zinc w/white head	1500	228.68	131.28	122.23
76-03-389	#10 x 3"	Zinc w/ black head	500			
76-03-390	#10 x 3"	Zinc w/ black head	1500	194.49	111.65	103.95
76-03-385	#10 x 3-1/2"	Zinc w/white head	250	77.01	44.21	41.16
76-03-386	#10 x 3-1/2"	Zinc w/white head	1000	181.09	103.96	96.79
76-03-387	#10 x 4"	Zinc w/white head	250	82.03	47.09	43.84
76-03-388	#10 x 4"	Zinc w/white head	1000	201.21	115.51	107.54
76-03-391	#14 x 2-1/2"	Zinc	1500	267.01	153.28	142.71
76-03-392	#14 x 3"	Zinc	1200	250.75	143.95	134.02
76-03-393	#14 x 3-1/2"	Zinc	1000	284.52	163.33	152.07
76-03-394	#14 x 4"	Zinc	700	260.05	149.29	138.99



Installation Screws

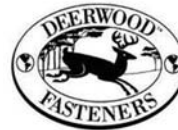
Phillips Drive – Twinfast

Features half thread. #8 x 2-1/2".

Bugle Head. For frame to cabinet applications.

Truss Head. For wood and light-gauge metal studs.

Product Code	Finish	Box Qty.	List	1-4	5+
Bugle Head – Type 17 Auger Point					
76-03-359	Black	500	\$30.95	\$17.77	\$16.54
76-03-360	Black	2500	130.65	75.01	69.83
Truss Head					
76-03-300	Zinc w/white head	500	50.84	29.18	27.17
76-03-302	Zinc	500	36.86	21.16	19.70



Installation Screws

Sheet Metal – Truss Head – Phillips Drive

Features sheet metal thread with self drilling point for use on light or medium ga. metal studs. Measures #10 x 2-1/2". 500 per box.

Product Code	Finish	List	1-4	5+
76-03-311	Zinc	35.46	21.82	20.26



Trim Head Screws

Specially designed for applications in which the head of the screw needs to be as small as possible. The small head results in a smaller hole for wood fitting and finishing. Holds well in wood and also in light gauge steel studs.

Product Code	Size	Finish	Box Qty.	List	1-4	5+
76-03-314	#6 x 1-5/8"	Black	1000	\$26.74	\$16.46	\$15.28
76-03-315	#6 x 1-5/8"	Black	5000	109.82	67.58	62.76
76-03-316	#6 x 2-1/4"	Black	1000	31.64	19.47	18.08
76-03-317	#6 x 2-1/4"	Black	3000	77.98	47.98	44.55



Finish Washers

Product Code	Size	Finish	Box Qty.	List	1-4	5+
76-03-451	#8	Black	1000	\$20.82	\$12.81	\$11.89
76-03-452	#8	Black	25,000	97.32	59.89	55.61
76-03-453	#8	Zinc	1000	21.30	13.11	12.17
76-03-454	#8	Zinc	25,000	101.92	62.72	58.24
76-03-456	#10	Black	5000	67.28	41.40	38.44
76-03-457	#10	Nickel	1000	49.95	28.67	26.70



Insert Bits

Product Code	Drive	Length				
		In.	List	1-9	10-99	100+
75-43-058	#1 Phillips	1	\$0.26	\$0.17	\$0.16	\$0.14
75-43-061	#2 Phillips	1	0.26	0.16	0.15	0.14
75-43-064	#2 Phillips	2	0.50	0.31	0.29	0.27
75-43-075	#3 Phillips	1	0.30	0.20	0.18	0.17
75-43-076	#3 Phillips	2	0.48	0.30	0.27	0.25
75-43-043	#1 Square	1	0.46	0.28	0.26	0.24
75-43-046	#2 Square	1	0.46	0.28	0.26	0.24
75-43-049	#2 Square	2	0.54	0.33	0.31	0.28
75-43-056	#2 Square	6	0.84	0.52	0.48	0.44
75-43-079	#1 Pozi	1	0.30	0.20	0.18	0.17
75-43-082	#2 Pozi	1	0.30	0.20	0.18	0.17
75-43-085	#2 Pozi	2	1.04	0.66	0.61	0.57



Insert Bits

Combination

Features #2 Phillips/square drive.

Product Code	Length In.	List	1-9	10-99	100+
75-43-081	1	\$0.82	\$0.52	\$0.48	\$0.45
75-43-090	2	1.24	0.79	0.73	0.68

Bit Holders

Magnetic

1/4" shank.



75-43-094 75-43-097 75-43-093

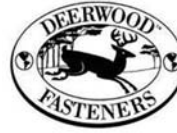
Product Code	Description	Length In.	List	1-9	10-99	100+
75-43-094	Two piece with C-ring	2-7/8	\$4.58	\$2.87	\$2.65	\$2.46
75-43-097	Quick release	2-3/8	4.40	2.75	2.54	2.36
75-43-098	Quick release	3	11.28	7.22	6.68	6.22
75-43-093	Super magnetic	2-3/8	11.28	7.22	6.68	6.22



Insert Bit Kits

10-Piece – Quick Bit

Product Code	Description	List	1-9	10+
75-43-099	10-pc. Quick Bit kit	\$16.06	\$9.17	\$8.56



Draw Bolts

Hex Head

For joining countertops and panels. Measures 1/4"-20 x 3-1/2". Zinc finish.

Product Code	Case Qty.	List	Each	Case
76-03-020	100	\$30.28	\$18.05	\$16.76
76-03-021	500	124.34	74.12	68.83



Countertop Joiners

Zip Bolt

Features integrated gearing system driven by universal 5mm hex drive, allowing user to tension bolt with hand-held hex driver or power drill. Nickel finish. 60/box; 6 boxes/case. Includes 5mm hex driver bit.



Product Code	Description	Case Qty.	List	Each	Box	Case
76-03-515	Countertop joiners	360	\$3.04	\$1.86	\$1.73	1.62
75-81-100	5mm hex bit	10	0.66	0.44	0.41	0.38



Tite-Joint™ Fasteners

Designed for 3/4" thick wood. Applies even, controlled pressure between joint members, eliminating twisting and buckling. 25 per box.

Product Code	Case Qty.	List	Each	Box	Case
76-03-530	100	\$3.26	\$1.84	\$1.73	\$1.68



Fluted Dowel Pins



Non-glued



Pre-glued

Product Code	Dimensions Diameter x Length	Case Qty.	List	1-4	5-9	10+
Non-Glued						
76-77-069	8mm x 30mm	500	\$13.12	\$7.57	\$7.29	\$7.03
76-77-070	8mm x 30mm	10,000	190.66	110.00	105.93	102.14
76-77-071	8mm x 35mm	500	14.42	8.32	8.01	7.73
76-77-072	8mm x 35mm	10,000	209.74	121.00	116.52	112.36
76-77-079	1/4" x 1"	500	13.70	7.91	7.61	7.34
76-77-080	1/4" x 1"	5000	99.74	57.54	55.41	53.43
76-77-081	1/4" x 1-1/4"	500	14.62	8.43	8.12	7.83
76-77-082	1/4" x 1-1/4"	10,000	212.66	122.69	118.15	113.93
76-77-083	1/4" x 1-1/2"	500	17.14	9.89	9.53	9.19
76-77-084	1/4" x 1-1/2"	10,000	249.34	143.85	138.52	133.57
76-77-091	3/8" x 1-1/4"	500	14.62	8.43	8.12	7.83
76-77-092	3/8" x 1-1/4"	10,000	212.66	122.69	118.15	113.93
76-77-093	3/8" x 1-1/2"	500	16.74	9.66	9.30	8.97
76-77-094	3/8" x 1-1/2"	10,000	243.46	140.46	135.26	130.43
76-77-095	3/8" x 2"	500	20.26	11.69	11.26	10.86
76-77-096	3/8" x 2"	10,000	294.80	170.08	163.78	157.93
Pre-Glued						
76-77-075	8mm x 30mm	500	19.26	11.11	10.70	10.31
76-77-076	8mm x 30mm	10,000	280.14	161.62	155.63	150.07
76-77-077	8mm x 35mm	500	20.88	12.05	11.60	11.19
76-77-078	8mm x 35mm	8500	303.60	175.15	168.67	162.64
76-77-085	1/4" x 1"	500	20.08	11.58	11.16	10.76



Biscuits

Wood construction with diagonal fiber orientation for added breaking strength. Features smooth sanded edges, raised guide rails and recessed and embossed glue surfaces. 1000 per case.

Product Code	Size	List	1-4 Cases	5+ Cases
76-77-042	#20	\$77.70	\$44.40	\$41.44
76-77-045	#10	76.20	43.55	40.64
76-77-048	#0	74.46	42.55	39.71



Joining Plates

Solid Surface

For use with solid surface materials. Translucent plastic construction. 250 per case.

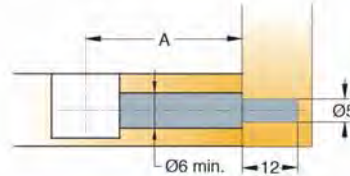
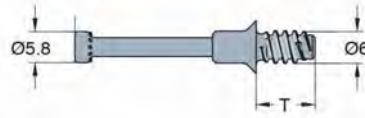
Product Code	Dimensions mm	List	1-4 Cases	5+ Cases
76-77-060	60 x 23 x 4	\$109.20	\$57.91	\$56.21



Proudly Serving the Midwest



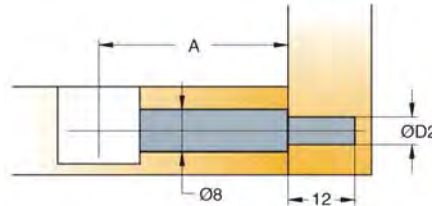
Dowels System 5 – Combi Dowel



For panel-to-panel applications. Provides strong, vibration-proof connection. Thread pattern allows faster insertion. Zinc construction. Phillips drive.

Product Code	Diameter	Drilling Distance	Case Qty.	List	1-4	5+
76-50-398	3.5	24	2000	\$127.79	\$97.36	\$90.87
76-50-399	3.5	34	2000	140.55	107.09	99.95

Dowels System 5 – Quickfit

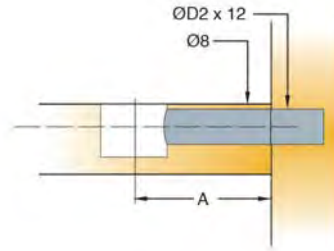


For panel-to-panel or edge-inserted applications. Provides strong, vibration-proof connection. Depth stop collar prevents over-insertion. Light gray finish.

Product Code	Diameter	Drilling Distance	Case Qty.	List	1-4	5+
76-50-433	10	24	100	\$18.75	\$14.29	\$13.34
76-50-436	10	24	1000	149.94	114.23	106.62
76-50-437	10	24	2000	239.90	182.77	170.59
76-50-383	8	24	1000	141.62	107.90	100.70
76-50-384	8	24	2000	226.59	172.63	161.13



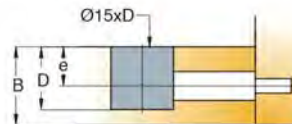
Dowels System 5 – Quickfit TL2



For panel-to-panel or edge-inserted applications. Provides strong, vibration-proof connection. 8mm diameter. Dark gray finish.

Product Code	Length mm	Case Qty.	List	1-4	5+
76-50-377	24	100	\$16.88	\$12.86	\$12.00
76-50-381	24	2000	215.91	164.50	153.53
76-50-389	34	1000	113.94	86.81	81.02

Cams System 5 – Cam 2000

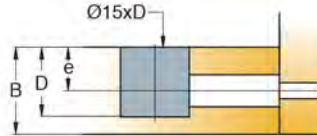
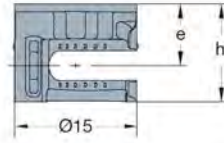


For use with all Titus dowels. Provides strong, vibration-proof connection. Linear profile allows smooth rotation and dowel pull-up. 15mm diameter. Zinc construction.

Product Code	For Panel Thickness mm	Case Qty.	List	1-4	5+
76-50-439	12	100	\$15.63	\$11.91	\$11.11
76-50-440	12	2000	199.92	152.31	142.16
76-50-441	16	100	13.02	9.92	9.26
76-50-445	16	2000	166.59	126.92	118.46
76-50-449	19	100	13.55	10.32	9.63
76-50-452	19	1000	108.32	82.52	77.02
76-50-453	19	2000	173.30	132.03	123.23



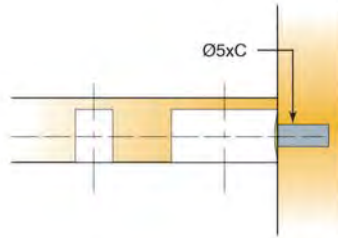
Cams System 5 – Cam 3000



For use with all Titus dowels. Provides strong, vibration-proof connection. Linear profile allows smooth rotation and dowel pull-up. 15mm diameter. Zinc construction. #2 Pozi drive.

Product Code	For Panel Thickness in.	Case Qty.	List	1-4	5+
76-50-454	15/16	2000	\$129.38	\$98.57	\$92.00

Dowels System 6 – Screw in Zinc

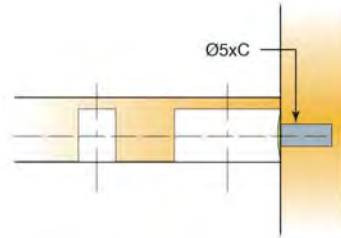


For screw-in, knock-in or spiked hole applications. Provides strong, vibration-proof connection. Built-in skirt functions as insertion stop. 5mm diameter. Zinc construction.

Product Code	Length mm	Drilling Depth mm	Case Qty.	List	1-4	5+
76-50-527	7.5	8	100	\$7.28	\$5.54	\$5.17
76-50-528	7.5	8	1000	58.10	44.27	41.31
76-50-529	7.5	8	5000	232.40	177.06	165.26
76-50-530	11	11.5	100	7.08	5.39	5.03
76-50-531	11	11.5	1000	56.61	43.13	40.25
76-50-532	11	11.5	5000	226.41	172.50	161.00



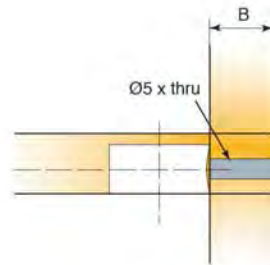
Dowels System 6 – Screw in Steel



For screw-in, knock-in or spiked hole applications. Provides strong, vibration-proof connection. Built-in skirt functions as insertion stop. 5mm diameter. Steel construction.

Product Code	Length mm	Drilling Depth mm	Case Qty.	List	1-4	5+
76-50-701	7.5	8	1000	\$35.37	\$26.95	\$25.16
76-50-702	7.5	8	5000	113.21	86.25	80.50

End Dowels System 6

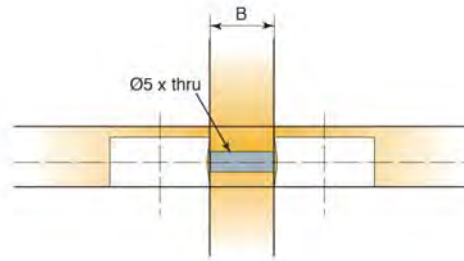


Provides strong, vibration-proof connection. 9.5mm head diameter. Zinc construction.

Product Code	For Panel Thickness mm	Case Qty.	List	1-4	5+
76-50-533	16	100	\$10.31	\$7.85	\$7.33
76-50-535	16	2500	206.13	157.05	146.58
76-50-536	19	100	13.82	10.52	9.82
76-50-538	19	2500	220.85	168.26	157.04



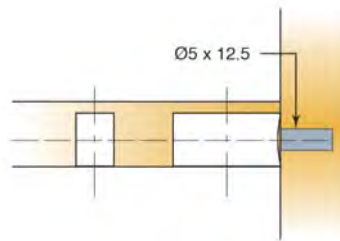
Double-Ended Dowels System 6



Provides strong, vibration-proof connection. 5.8mm head diameter. Zinc construction.

Product Code	For Panel Thickness mm	Case Qty.	List	1-4	5+
76-50-539	16	100	\$12.89	\$9.82	\$9.17
76-50-541	16	2500	206.13	157.05	146.58
76-50-542	19	100	12.39	9.44	8.81
76-50-543	19	250	24.77	18.87	17.61
76-50-544	19	2500	198.11	150.94	140.87

Expanding Dowels System 6 – Quickfit-Expando



For panel-to-panel, panel-to-hollow profile or back-to-back applications. Provides strong, vibration-proof connection. Built-in depth stop collar prevents over-insertion. Dark gray finish. 5mm dia. x 12.5mm drilling depth.

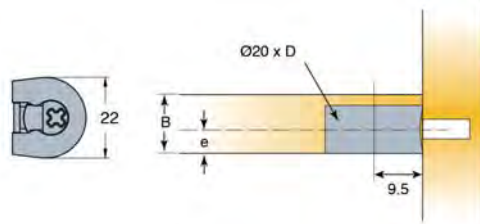
Product Code	Case Qty.	List	1-4	5+
76-50-545	100	\$10.62	\$8.09	\$7.55
76-50-546	1000	84.90	64.69	60.37
76-50-547	5000	339.62	258.75	241.50



Knock-In Housings 19mm System 6 – Non-Outrigger



White



For drop-on applications in 19mm thick panels. Compatible with screw-in and Quickfit dowels. Provides strong, vibration-proof connection. Measures 22mm W with 14mm drilling depth. Plastic construction.



Almond



Brown



Black



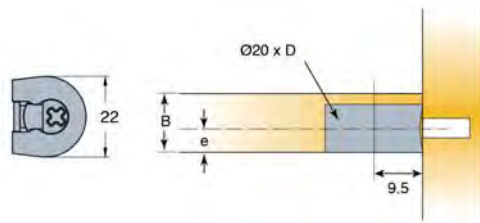
Candlelight



Nickel

Product Code	Color	Case Qty.	List	1-4	5+
76-50-493	White	100	\$26.55	\$20.23	\$18.88
76-50-494	White	500	106.13	80.86	75.47
76-50-495	White	2500	424.52	323.44	301.87
76-50-496	Almond	100	26.55	20.23	18.88
76-50-497	Almond	500	106.13	80.86	75.47
76-50-498	Almond	2500	424.52	323.44	301.87
76-50-499	Brown	100	26.55	20.23	18.88
76-50-500	Brown	500	106.13	80.86	75.47
76-50-501	Brown	2500	424.52	323.44	301.87
76-50-502	Black	100	26.55	20.23	18.88
76-50-503	Black	500	106.13	80.86	75.47
76-50-504	Black	2500	424.52	323.44	301.87
76-60-620	Silver	100	26.55	20.23	18.88
76-60-621	Silver	500	106.13	80.86	75.47
76-60-622	Silver	2500	424.52	323.44	301.87
76-60-623	Candlelight	100	26.55	20.23	18.88
76-60-624	Candlelight	500	106.13	80.86	75.47
76-60-625	Candlelight	2500	424.52	323.44	301.87

Knock-In Housings 16mm System 6 – Non-Outrigger – Quickfit



For drop-on applications. Compatible with screw-in and Quickfit dowels. Provides strong, vibration-proof connection. Measures 22mm wide.

Product Code	For Panel Thickness mm	Drilling Depth mm	Finish	Case Qty.	List	1-4	5+
Plastic Construction							
76-50-505	16	12.5	White	100	\$26.55	\$20.23	\$18.88
76-50-506	16	12.5	White	500	106.13	80.86	75.47
76-50-507	16	12.5	White	2500	424.52	323.44	301.87
76-50-510	16	12.5	Almond	2500	424.52	323.44	301.87
76-50-511	16	12.5	Brown	100	26.55	20.23	18.88
76-50-513	16	12.5	Brown	2500	424.52	323.44	301.87
76-50-514	16	12.5	Black	100	26.55	20.23	18.88
76-50-515	16	12.5	Black	500	106.13	80.86	75.47
76-50-516	16	12.5	Black	2500	424.52	323.44	301.87
Zinc Construction							
76-50-522	16	12.5	Nickel	2500	294.45	224.34	209.39
76-50-519	19	14	Nickel	1000	309.15	235.54	219.84



Expanding Housing 16mm System 6 – Outrigger – Quickfit-Expando



Brown



Black



White



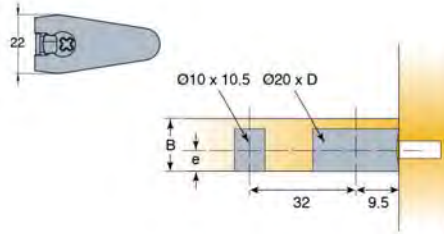
Silver



Almond



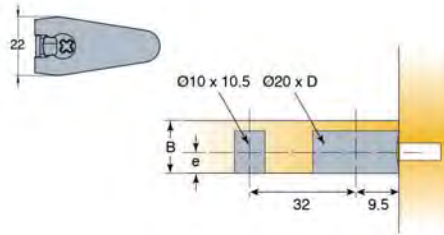
Candlelight



For drop-on applications. Compatible with screw-in and Quickfit dowels. Provides strong, vibration-proof connection. Measures 22mm W.

Product Code	Drilling Depth mm	Finish	Case Qty.	List	1-4	5+
Plastic Construction						
76-50-489	12.5	Brown	1250	\$226.41	\$172.50	\$161.00
76-50-492	12.5	Black	1250	226.41	172.50	161.00
76-50-483	12.5	White	1250	226.41	172.50	161.00
Zinc Construction						
76-50-525	12.5	Nickel	100	74.12	56.47	52.71
76-50-526	12.5	Nickel	500	296.49	210.83	197.66

Expanding Housings 19mm System 6 – Outrigger – Quickfit-Expando

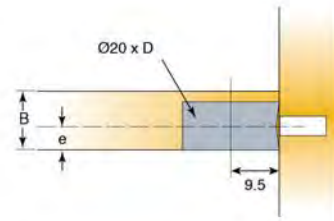


For drop-on applications. Compatible with screw-in and Quickfit dowels. Provides strong, vibration-proof connection. Measures 22mm wide.

Product Code	Drilling Depth mm	Finish	Case Qty.	List	1-4	5+
Plastic Construction						
76-50-676	14	Brown	250	\$56.61	\$43.13	\$40.25
76-50-677	14	Brown	1250	226.41	172.50	161.00
76-50-678	14	Black	100	28.32	21.58	20.14
76-50-679	14	Black	250	56.61	43.13	40.25
76-50-680	14	Black	1250	226.41	172.50	161.00
76-50-672	14	Almond	100	28.32	21.58	20.14
76-50-673	14	Almond	250	56.61	43.13	40.25
76-50-674	14	Almond	1250	226.41	172.50	161.00
76-50-669	14	White	100	28.32	21.58	20.14
76-50-670	14	White	250	56.61	43.13	40.25
76-50-671	14	White	1250	226.41	172.50	161.00
76-50-682	14	Silver	250	56.61	43.13	40.25
76-50-683	14	Silver	1250	226.41	172.50	161.00
76-50-693	14	Candlelight	250	56.61	43.13	40.25
76-50-694	14	Candlelight	1250	226.41	172.50	161.00
Zinc Construction						
76-50-523	14	Nickel	100	101.07	77.01	71.87
76-50-524	14	Nickel	500	404.30	287.50	269.53



Knock-In Housings 16mm System 6 – Wedgefix – Quickfit

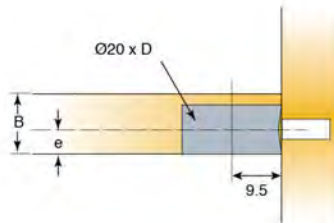


For use with Quickfit dowels; provides toolless fastening. Measures 22mm W. Plastic construction without inner cam.

Product Code	Drilling Depth mm	Color	Case Qty.	List	1-4	5+
76-50-576	12.5	Brown	2500	\$339.11	\$258.36	\$241.14
76-50-569	12.5	Black	500	84.78	64.59	60.29
76-50-570	12.5	Black	2500	339.11	258.36	241.14
76-50-572	12.5	Almond	500	84.78	64.59	60.29
76-50-573	12.5	Almond	2500	339.11	258.36	241.14
76-50-566	12.5	White	500	84.78	64.59	60.29
76-50-567	12.5	White	2500	339.11	258.36	241.14



Knock-In Housings 19mm System 6 – Wedgefix – Quickfit



For use with Quickfit dowels; provides toolless fastening. Measures 22mm W. Plastic construction without inner cam.

Product Code	Drilling Depth mm	Color	Case Qty.	List	1-4	5+
76-50-586	14	Brown	100	\$23.57	\$17.95	\$16.76
76-50-588	14	Brown	2500	376.79	287.08	267.94
76-50-580	14	Black	100	23.57	17.95	16.76
76-50-581	14	Black	500	94.20	71.77	66.98
76-50-582	14	Black	2500	376.79	287.08	267.94
76-50-583	14	Almond	100	23.57	17.95	16.76
76-50-585	14	Almond	2500	376.79	287.08	267.94
76-50-577	14	White	100	23.57	17.95	16.76
76-50-578	14	White	500	94.20	71.77	66.98
76-50-579	14	White	2500	376.79	287.08	267.94



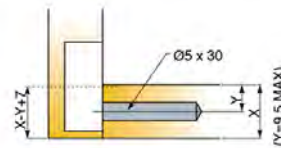
Drawer Front Adjusters

One-piece plastic housing with 7/8" zinc locking screw. Features multi-directional adjustment. Measures 25mm dia. x 12.5mm H.

Product Code	Case Qty.	List	1-999	1000+
74-17-465	2500	\$0.35	\$0.45	\$0.36



Screw Dowels System 3



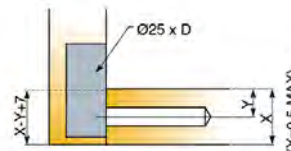
X, Y - depends on board thickness

For face and edge boring applications. Twin-thread design allows faster insertion. Steel construction with zinc plated finish.

Product Code	Diameter mm	Drilling Depth mm	Case Qty.	List	1-4	5+
76-50-113	3	25	100	\$19.07	\$15.88	\$13.61
76-50-116	3	25	500	76.19	63.49	54.42



Concealed Housings System 3



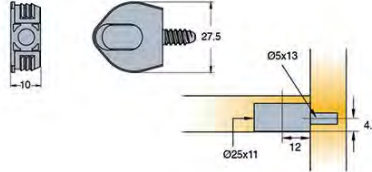
X, Y - depends on board thickness

For face and edge boring applications. One-turn locking reduces assembly time. Plastic construction. White.

Product Code	Diameter mm	Drilling Depth mm	Case Qty.	List	1-4	5+
76-50-105	25	12.5	100	\$37.23	\$31.02	\$26.59



Flush Block Assemblies System 4 – Flushbloc™



For face boring applications. 27.5mm Plastic housing with 5mm x 13mm zinc-plated screw. 25mm drilling diameter.

Product Code	Color	Case Qty.	List	1-4	5+
76-50-550	Black	2500	\$571.35	\$435.32	\$406.30
76-50-548	White	500	260.58	198.53	185.30
76-50-551	Brown	500	142.85	108.83	101.57



Space Balls

Helps eliminate stain lines and panel rattle in doors. Automatically centers panels and compresses if panel expands. Features non-bleeding construction. Black.

Product Code	Qty.	List	Each
76-75-100	1000	\$41.70	\$21.95
76-75-103	5000	189.72	99.54



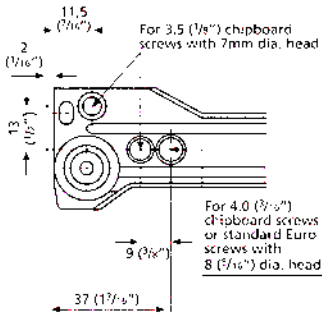
**Don't see it here?
We can get it for you.
Call us!**



Drawer Slides

3/4 Extension 100 Lb. Euro Slide – Harn®

Features double out-stop safety and 32mm mounting system. Self-closing. 1/2" side clearance. White epoxy finish. 1.2mm thick. 100-lb. capacity. 25 pair per case.



Drawer Slides

Product Code	Length		List	Each	Case
	In.	mm			
74-01-099	10	250	\$2.72	\$1.62	\$1.50
74-01-100	12	300	2.84	1.70	1.58
74-01-101	14	350	3.16	1.88	1.75
74-01-102	16	400	3.44	2.05	1.90
74-01-103	18	450	3.76	2.24	2.08
74-01-104	20	500	4.04	2.40	2.23
74-01-105	22	550	4.38	2.60	2.42
74-01-106	24	600	5.32	3.17	2.95
74-01-107	26	650	5.76	3.44	3.19
74-01-108	28	700	6.28	3.74	3.48

Rear Sockets

Product Code	Case Qty.	List	Each	Case
74-01-158	50 pair	\$1.58	\$0.97	\$0.90

Drawer Slides

3/4 Extension 100 Lb. Euro Slide – Economy

Features double out-stop safety and 32mm mounting system. Self-closing. 1/2" side clearance. White epoxy finish. 1.2mm thick. 100-lb. capacity. 25 pair per case.

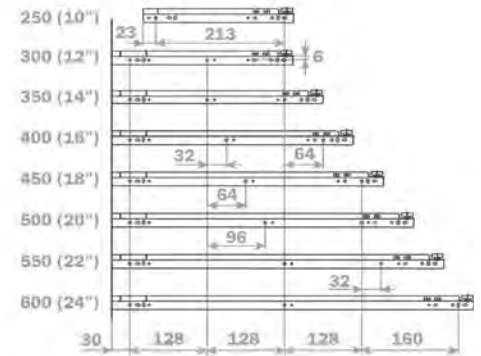
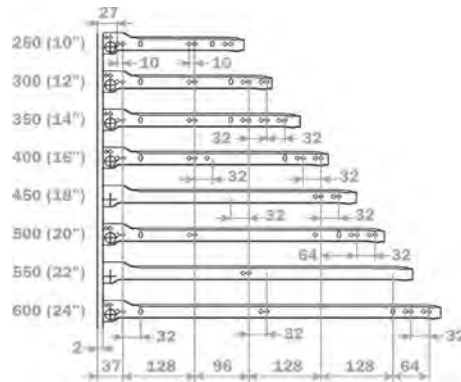
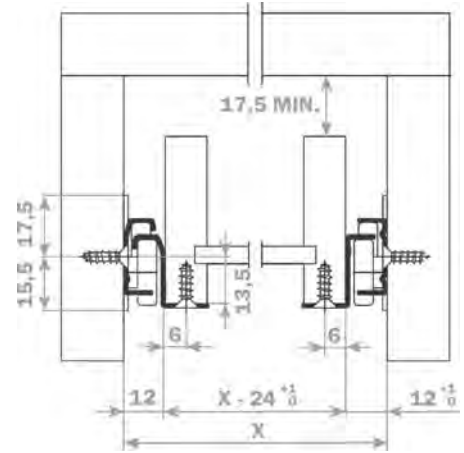
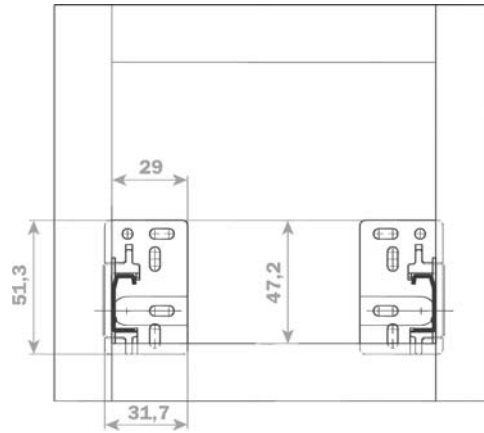
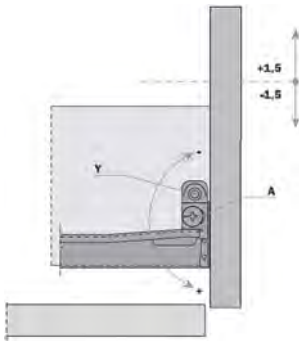


Drawer Slides

Product Code	Length		List	Each	Case
	In.	mm			
74-01-150	10	250	\$1.96	\$1.20	\$1.11
74-01-151	12	300	2.28	1.40	1.30
74-01-152	14	350	2.60	1.60	1.49
74-01-153	16	400	2.90	1.78	1.66
74-01-154	18	450	3.22	1.98	1.84
74-01-155	20	500	3.50	2.15	2.00
74-01-156	22	550	3.86	2.37	2.20
74-01-157	24	600	4.22	2.60	2.41

SALICE

Drawer Slides Cam Adjustable 100 Lb. Euro Slide



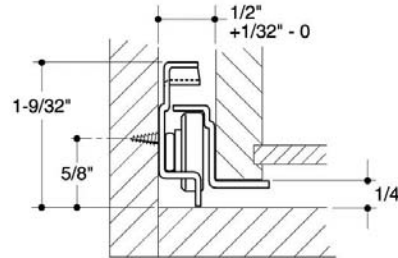
Pressure-sliding design prevents drawer from tottering. Features double safety stop and automatic closure. Height adjustment (± 1.5 mm). **It is possible to adjust the drawer vertically by ± 1.5 mm by rotating the cam.** Fix position by inserting screw. White epoxy finish. 100-lb. capacity.

Product Code	Length		List	Each	Case
	In.	mm			
74-01-200	12	300	\$5.12	\$2.99	\$2.80
74-01-201	14	350	5.12	2.99	2.80
74-01-202	16	400	5.26	3.07	2.87
74-01-203	18	450	5.42	3.16	2.97
74-01-204	20	500	5.60	3.26	3.06
74-01-205	22	550	6.04	3.52	3.30
74-01-206	24	600	6.36	3.71	3.48



Roller Slides

3/4" Extension – Epoxy-Coated – 100-lb. – 1284 Series



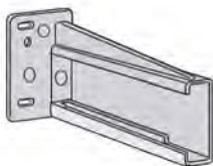
Designed for medium duty applications where a lift-out disconnect is desired and the maximum weight load is not to exceed 100 pounds. 20 pair per case.

Roller Slides

Product Code	Length In.	Finish	Pairs/Case	List	Each	Case
74-01-166	14	White	20	\$7.38	\$4.19	\$3.93
74-01-167	16	White	20	7.84	4.45	4.17
74-01-168	18	White	20	8.14	4.62	4.33
74-01-169	20	White	20	8.58	4.86	4.56
74-01-170	22	White	20	9.02	5.11	4.79
74-01-171	24	White	20	9.82	5.57	5.22
74-01-172	26	White	20	10.64	6.03	5.65
74-01-173	14	Almond	20	7.38	4.19	3.93
74-01-174	16	Almond	20	7.84	4.45	4.17
74-01-175	18	Almond	20	8.14	4.62	4.33
74-01-176	20	Almond	20	8.58	4.86	4.56
74-01-177	22	Almond	20	9.02	5.11	4.79
74-01-178	24	Almond	20	9.82	5.57	5.22
74-01-179	26	Almond	20	10.64	6.03	5.65

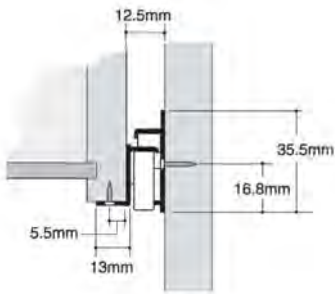
Accessories

Product Code	Description	Pairs/Case	List	Each	Case
74-01-190	Backsockets	25	\$3.24	\$1.84	\$1.73

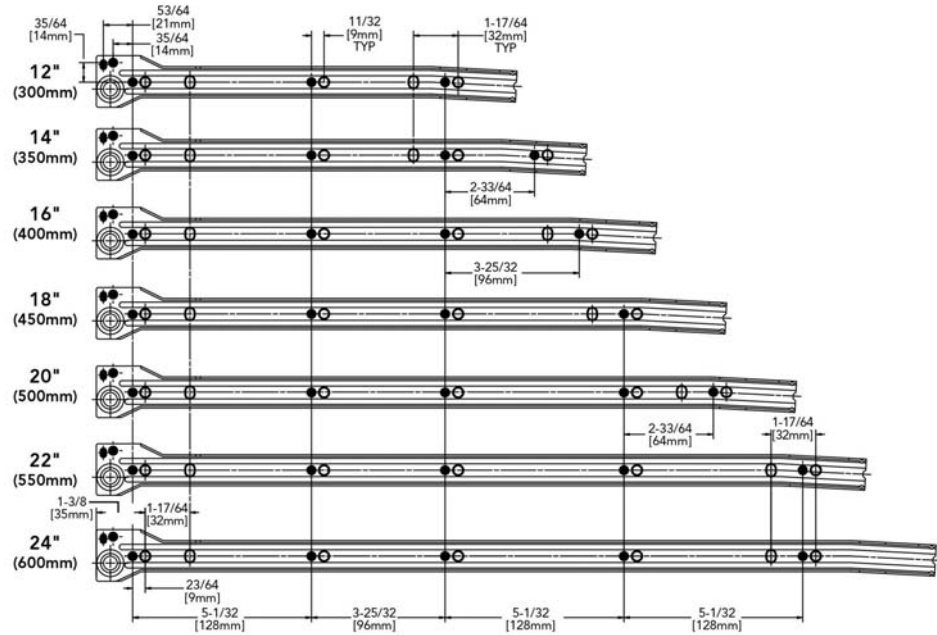


Quality Products

Quality People



Euro-Style Drawer Slides 3/4" Extension – 75-lb. – 1805 Series



Epoxy coated. Self-Close. Designed for applications where a lift-out disconnect is desired. 20 pair per case.

Product Code	Length In.	Finish	Pairs/Case	List	Each	Case
74-01-340	12	White	20	\$2.48	\$1.41	\$1.32
74-01-341	14	White	20	2.48	1.41	1.32
74-01-342	16	White	20	2.86	1.63	1.52
74-01-343	18	White	20	3.08	1.75	1.64
74-01-344	20	White	20	3.40	1.93	1.81
74-01-345	22	White	20	3.74	2.12	1.98
74-01-346	24	White	20	3.98	2.25	2.11
74-01-350	12	Almond	20	2.48	1.41	1.32
74-01-351	14	Almond	20	2.48	1.41	1.32
74-01-352	16	Almond	20	2.86	1.63	1.52
74-01-353	18	Almond	20	3.08	1.75	1.64
74-01-354	20	Almond	20	3.40	1.93	1.81
74-01-355	22	Almond	20	3.74	2.12	1.98
74-01-356	24	Almond	20	3.98	2.25	2.11

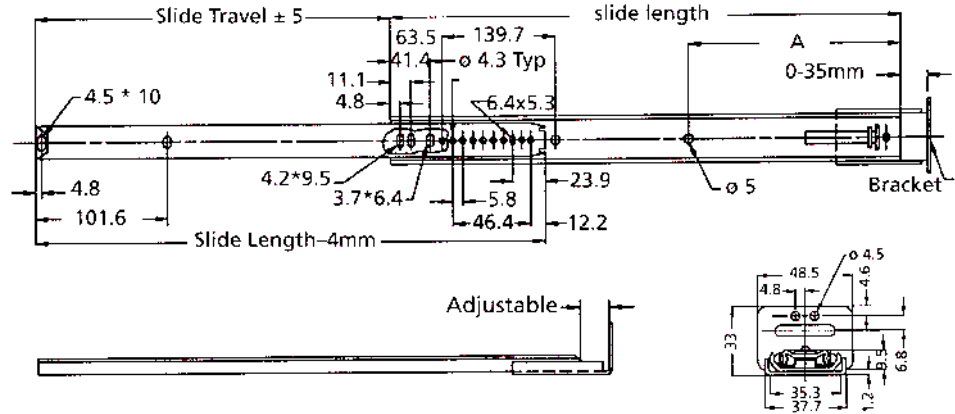
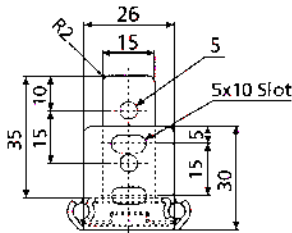
Backsockets

Product Code	Description	Length	Case Qty.	List	Each	Case
74-01-188	LH	2-3/8" Long	50	\$0.56	\$0.37	\$0.35
74-01-189	RH	2-3/8" Long	50	0.56	0.37	0.35
74-01-195	LH	4" Long	50	1.44	0.81	0.76
74-01-196	RH	4" Long	50	1.44	0.81	0.76

U.S. Futaba, Inc.

Drawer Slides

3/4 Extension – 35 Lb. – Bottom Mount – Dynaslide® –3508

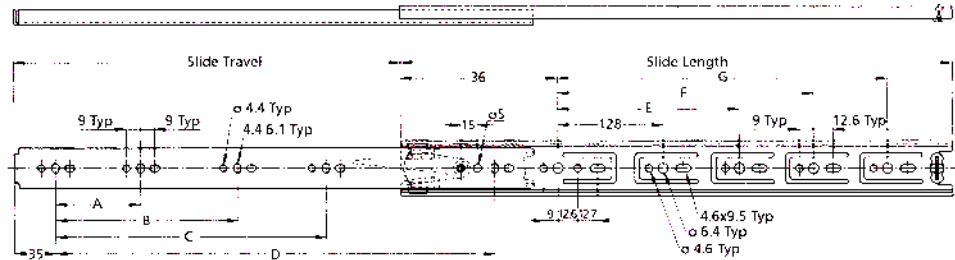


Features stay-closed design with friction disconnect and rear mounting bracket for depth adjustment. Zinc plated finish. 35-lb. capacity. 40 per case.

Product Code	Length In.	Travel In.	List	Each	Case
74-17-010	18-3/4	12-9/16	\$14.24	\$8.22	\$7.63
74-17-013	20-3/4	15-31/64	17.38	10.04	9.32

Drawer Slides

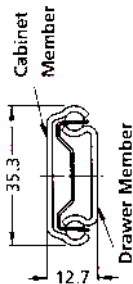
3/4 Extension – 75 Lb. – Dynaslide® 3611



Features trigger release disconnect; hold-in detent and detent-in closed position. Zinc plated finish. 75-lb. capacity. 20 pair per case.

Note: Requires 1/2" side spacing.

Product Code	Length In.	Length mm	Travel In.	List	Each	Case
74-11-320	10	250	6-1/64	\$10.10	\$6.02	\$5.59
74-11-322	12	300	8-5/64	10.70	6.39	5.93
74-11-325	14	350	9-1/32	11.26	6.71	6.23
74-11-328	16	400	11-13/16	12.08	7.20	6.69
74-11-331	18	350	13-5/16	12.70	7.57	7.03
74-11-334	20	500	14-49/64	13.30	7.93	7.36
74-11-337	22	550	16-1/4	13.80	8.24	7.65
74-11-340	24	600	17-23/32	17.60	10.50	9.75

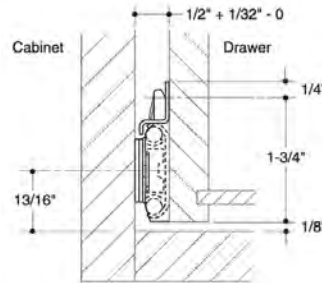




KNAPE & VOGT

Box Drawer Slides

With Quick Disconnect Rail Box – 3/4" Extension – 75-lb. – 8300 Series



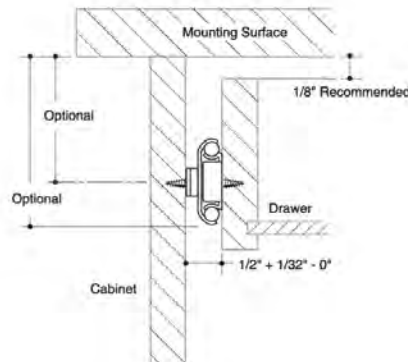
Designed for use on box drawer applications where the maximum weight load is not to exceed 75 pounds. Product features a quick-disconnect rail for easy drawer removal. Zinc.

Product Code	Length In.	Pairs/Case	Pricing		
			List	Each	Case
74-14-340	12	10	\$23.08	\$13.03	\$12.24
74-14-341	14	10	23.68	13.37	12.56
74-14-342	16	10	24.16	13.64	12.81
74-14-343	18	10	24.74	13.96	13.12
74-14-344	20	10	25.48	14.38	13.51
74-14-345	22	10	26.58	15.00	14.09
74-14-346	24	10	27.78	15.69	14.73
74-14-347	26	10	28.42	16.04	15.07
74-14-348	28	10	29.38	16.59	15.58
74-14-349	30	10	30.62	17.29	16.24



Box Drawer Slides

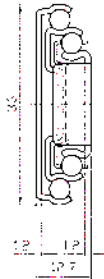
3/4" Extension – 75-lb. – 8350 Series



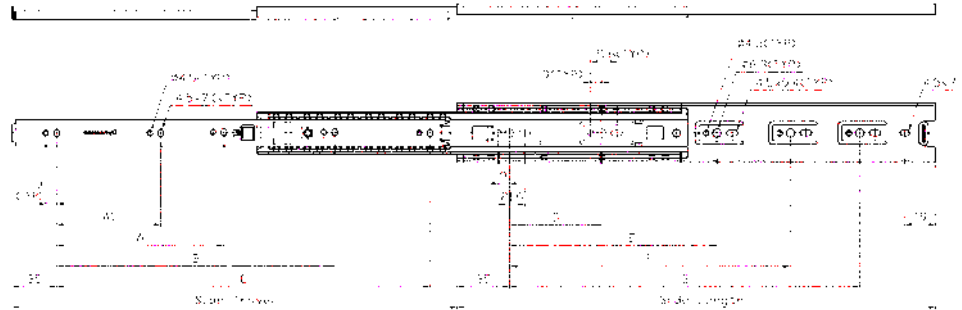
Designed for use on box drawer applications where the maximum weight load is not to exceed 75 pounds. 32 mm hole pattern, lever disconnect. Zinc. 10 pairs per case.

Product Code	Length In.	Pairs/Case	Pricing		
			List	Each	Case
74-14-350	12	10	\$15.92	\$8.99	\$8.45
74-14-351	14	10	16.50	9.32	8.75
74-14-352	16	10	17.20	9.70	9.12
74-14-353	18	10	17.90	10.11	9.49
74-14-354	20	10	18.50	10.45	9.81
74-14-355	22	10	19.30	10.89	10.23
74-14-356	24	10	19.96	11.26	10.58
74-14-357	26	10	20.88	11.78	11.07
74-14-358	28	10	21.52	12.15	11.42
74-14-359	30	10	22.40	12.64	11.88



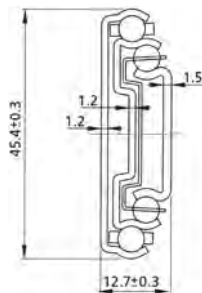


Drawer Slides Full Extension 75 Lb. Low Profile – Dynaslide® 3601

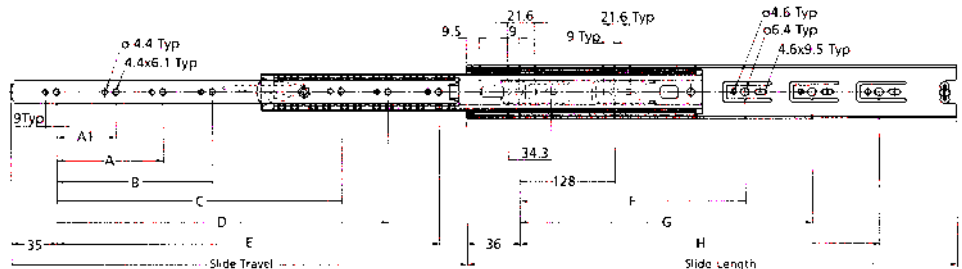


Features latch release design, face frame hole and 32mm screw mounting system. Zinc plated finish. 20 pair per case. **Note:** Requires 1/2" side spacing.

Product Code	Length In.	List	Each	Case
74-11-487	12	\$8.86	\$5.18	\$4.85



Drawer Slides Overtravel 100 Lb. – Side Mount – Dynaslide® 4634



Features butterfly disconnect release, ball retainer and hold-in detents. 1" overtravel. Zinc plated finish. 10" - 16" 20/case; 18" - 28" 10/case. **Note:** Requires 1/2" side spacing.

Drawer Slides

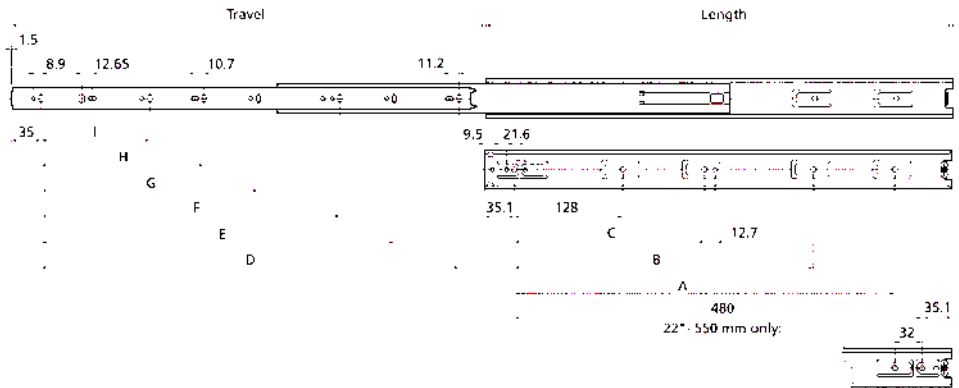
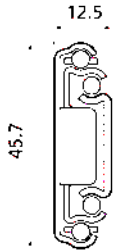
Product Code	Length In.	mm	Load Rating Lbs.	List	Each	Case
74-11-101	10	250	120	\$11.80	\$6.96	\$6.29
74-11-104	12	300	115	12.00	7.08	6.39
74-11-107	14	350	110	12.22	7.20	6.51
74-11-110	16	400	105	14.16	8.35	7.54
74-11-113	18	450	100	14.76	8.70	7.86
74-11-116	20	500	100	16.00	9.43	8.52
74-11-119	22	550	100	16.46	9.70	8.77
74-11-122	24	600	85	18.30	10.79	9.75
74-11-125	26	650	80	19.52	11.50	10.39
74-11-128	28	700	75	21.80	12.85	11.60

Accessories

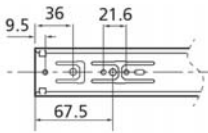
Product Code	Description	Finish	Case Qty.	List	Each	Case
74-73-005	Rear mounting bracket	Zinc	200	\$1.00	\$0.70	\$0.61



Drawer Slides Overtravel 100 Lb. – Side Mount – 1931 Series



14" - 350 mm only:



Length Inches mm	Travel Inches mm	A Inches mm	B Inches mm	C Inches mm	D Inches mm	E Inches mm	F Inches mm	G Inches mm	H Inches mm	I Inches mm	Load lbs kg
10 250	11 279				7-9/16 192						65 29
12 300	13 330			8-13/16 224	9-1/2 242				5 128	72 33	
14 350	15 381			5 128	11-3/4 298					81 36	
16 400	17 432		12-9/16 320	8-13/16 224	13-1/2 342				5 128	90 40	
18 450	19 483		13-7/8 352	8-13/16 224	15-7/16 392		12-9/16 320		5 128	100 45	
20 500	21 534		16-3/8 416	8-13/16 224	17-3/8 442		12-9/16 320		5 128	90 40	
22 550	23 584		12-13/16 325	8-13/16 224	19-3/8 492	16-3/8 416			5 128	81 36	
24 600	25 635	18-7/8 480	13-7/8 352	8-13/16 224	12-3/8 542		16-3/8 416		8-13/16 224	5 128	72 33
26 650	27 686	21-7/16 544	13-7/8 352	8-13/16 224	23-5/16 592	21-3/8 544	16-3/8 416		8-13/16 224	5 128	65 29
28 700	29 737	21-7/16 544	13-7/8 352	8-13/16 224	25-1/4 642	21-3/8 544	16-3/8 416	11-3/8 288	8-13/16 224	5 128	59 26

Features hold-in detent and unhanded trigger release. Compatible with 32mm screw mount system. 1" overtravel. 100-lb. capacity. 10 pair per case.

Note: Requires 1/2" side spacing.

Product Code	Length mm/in.	List	Each	Case	10 Case
Zinc Plated					
74-12-005	250/10	\$6.46	\$4.20	\$3.82	\$3.50
74-12-006	300/12	6.86	4.46	4.05	3.72
74-12-007	350/14	6.78	4.62	4.23	3.91
74-12-008	400/16	7.78	5.31	4.87	4.49
74-12-009	450/18	8.58	5.85	5.37	4.95
74-12-010	500/20	9.10	6.20	5.68	5.25
74-12-011	550/22	9.98	6.80	6.23	5.75
74-12-012	600/24	10.82	7.38	6.77	6.25
74-12-013	650/26	11.98	8.16	7.48	6.91
74-12-014	700/28	12.88	8.78	8.05	7.43
Black					
74-12-025	250/10	6.26	4.27	3.92	3.62
74-12-026	300/12	6.64	4.53	4.15	3.83
74-12-027	350/14	7.58	5.16	4.73	4.37
74-12-028	400/16	8.72	5.95	5.45	5.03
74-12-029	450/18	9.62	6.56	6.02	5.55
74-12-030	500/20	10.18	6.95	6.37	5.88
74-12-031	550/22	11.14	7.60	6.97	6.43
74-12-032	600/24	12.14	8.27	7.58	7.00
74-12-033	650/26	13.42	9.15	8.38	7.74
74-12-034	700/28	14.42	9.84	9.02	8.32

Accessories

Product Code	Description	Finish	Case Qty.	List	Each	Case
74-73-005	Rear mounting bracket	Zinc	200	\$1.00	\$0.70	\$0.61
74-73-010	Rear bracket with large return	Zinc	200	1.26	0.77	0.67





Box/File Drawer Slides

Full Extension – Medium-Duty – 100-lb. – 8400 Series

Designed for use on box drawer applications up to 24" wide and where the maximum weight load is not to exceed 100 pounds. Product features a lever disconnect for easy drawer removal. 10 pairs/case.



Product Code	Length In.	Finish	List	Each	Case
74-14-001	8	Zinc	\$14.40	\$7.83	\$7.61
74-14-002	10	Zinc	14.68	7.98	7.75
74-14-003	12	Zinc	15.00	8.16	7.93
74-14-004	14	Zinc	15.42	8.39	8.15
74-14-005	16	Zinc	15.96	8.69	8.44
74-14-006	18	Zinc	16.56	9.01	8.75
74-14-007	20	Zinc	17.08	9.30	9.03
74-14-008	22	Zinc	17.72	9.65	9.37
74-14-009	24	Zinc	18.32	9.97	9.69
74-14-010	26	Zinc	18.98	10.32	10.03
74-14-011	28	Zinc	19.74	10.74	10.44
74-14-012	8	Ebony Black	15.34	8.35	8.11
74-14-013	10	Ebony Black	15.40	8.38	8.14
74-14-014	12	Ebony Black	15.72	8.55	8.31
74-14-015	14	Ebony Black	16.22	8.82	8.57
74-14-016	16	Ebony Black	16.76	9.12	8.86
74-14-017	18	Ebony Black	17.38	9.46	9.19
74-14-018	20	Ebony Black	17.96	9.77	9.49
74-14-019	22	Ebony Black	18.60	10.12	9.83
74-14-020	24	Ebony Black	19.28	10.49	10.19
74-14-021	26	Ebony Black	19.92	10.84	10.53
74-14-022	28	Ebony Black	20.68	11.26	10.93
74-14-059	8	White	16.98	9.24	8.98
74-14-049	10	White	17.26	9.39	9.12
74-14-050	12	White	17.56	9.55	9.28
74-14-051	14	White	18.06	9.82	9.54
74-14-052	16	White	18.62	10.13	9.84
74-14-053	18	White	19.18	10.43	10.13
74-14-054	20	White	19.76	10.76	10.45
74-14-055	22	White	20.46	11.14	10.82
74-14-056	24	White	21.04	11.45	11.12
74-14-057	26	White	21.74	11.82	11.49
74-14-058	28	White	22.40	12.19	11.84



8401



8402



8404

Accessories

Product Code	Description	Pairs/Case	List	Each	Case
74-14-026	8401 Bracket	20	\$1.84	\$1.18	\$1.02
74-14-025	8402 Bracket	20	1.60	1.09	0.91
74-14-028	8404 Bracket	20	1.06	0.72	0.60



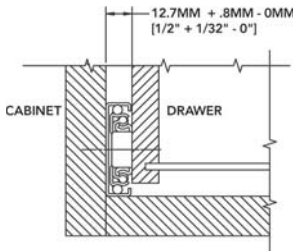
KNAPE & VOGT



Drawer Slides

Full Extension 100 Lb. — Ball Bearing — Tru-Trac

Features a non-handed design, industry standard 1/2" side clearance and a lever disconnect for easy drawer removal. Ball-bearing construction delivers a smooth operation and a positive stop bumper provides an anti-rebound feature. 100 lb. capacity. 10 per case.



Drawer Slides

Product Code	Length mm/in.	List	Each	Case	10 Case
74-11-600	250/10	\$6.10	\$3.68	\$3.44	\$3.05
74-11-601	300/12	6.76	4.08	3.81	3.38
74-11-602	350/14	7.42	4.18	4.05	3.71
74-11-603	400/16	8.20	4.63	4.49	4.10
74-11-604	450/18	8.92	5.03	4.87	4.46
74-11-605	500/20	9.40	5.46	5.29	4.70
74-11-606	550/22	10.14	5.71	5.37	5.07
74-11-607	600/24	10.98	6.18	5.82	5.49
74-11-608	650/26	11.68	6.57	6.18	5.84
74-11-609	700/28	12.40	6.97	6.56	6.20

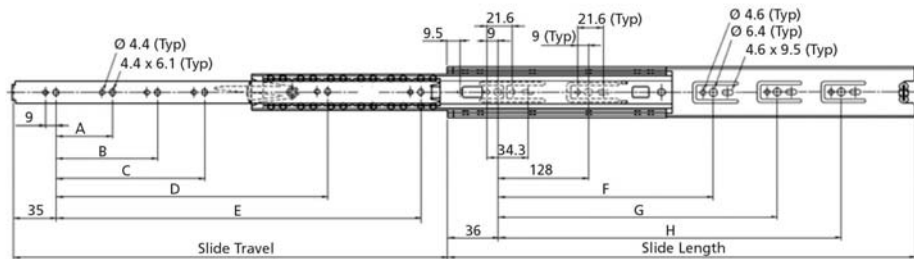
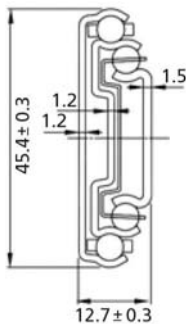
Accessories

Product Code	Description	Case Qty.	List	Each	Case
74-11-610	Tru-Trac back socket	20	\$1.20	\$0.92	\$0.65



Drawer Slides

Full Extension 100 Lb. – 304 Stainless Steel – 4658

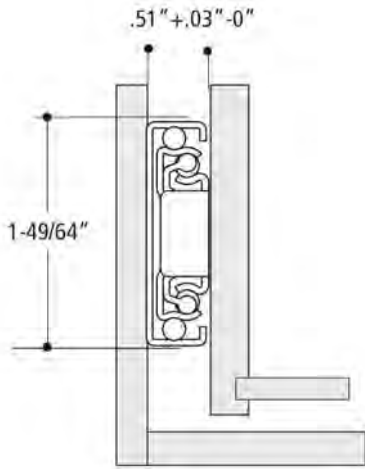
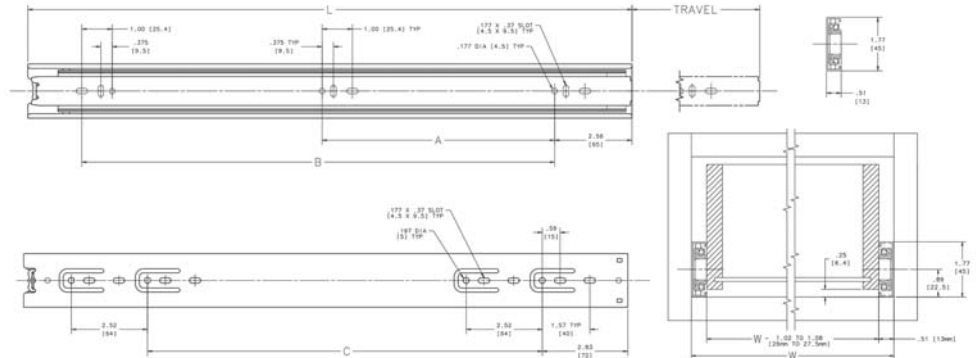


Features positive stop and catch, and non-handed front disconnect. High corrosion resistance ROHS compliant. Great for outdoor and medical uses. Available in 10" to 28" travel. Sold in pairs. Case qty. 10 pair.

Product Code	Length mm/in.	List	Each	Case
74-11-502	350/14	\$43.42	\$25.05	\$23.26
74-11-504	400/16	49.28	28.44	26.40
74-11-506	450/18	55.16	31.82	29.55
74-11-508	500/20	61.02	35.20	32.69
74-11-510	550/22	68.06	39.27	36.46



Stainless Steel Drawer Slides Full Extension – 75-lb. – 6400 Series



Designed for use in watercraft, wash down environments, food preparation areas, and outdoor kitchens.

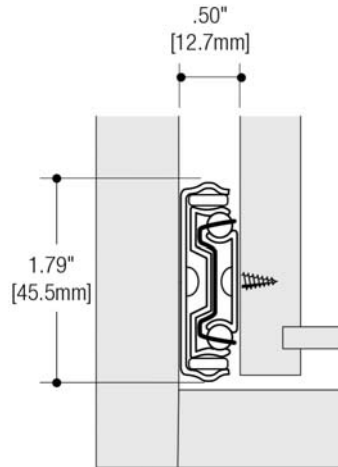
Product Code	Length In.	Pairs/Case	List	Each	Case
74-14-115	16	10	\$41.06	\$23.95	\$22.45
74-14-116	18	10	44.48	25.94	24.32
74-14-117	20	10	48.00	28.00	26.25
74-14-118	22	10	49.00	28.58	26.80

**Our pledge is
dedication to outstanding
customer service.**



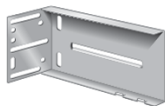
KNAPE & VOGT

Box/File Drawer Slides with 1" Overtravel 3/4" Extension – 100-lb. – 8405 Series

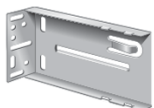


Designed for use of box drawer applications up to 24" wide and where the maximum weight load is not to exceed 100 pounds. Product features 1" overtravel and a lever disconnect for easy drawer removal.

Product Code	Length In.	Finish	Pairs/Case	List	Each	Case
74-14-030	10	Zinc	10	\$15.50	\$8.75	\$8.22
74-14-031	12	Zinc	10	15.86	8.95	8.41
74-14-032	14	Zinc	10	16.30	8.91	8.39
74-14-033	16	Zinc	10	16.88	9.23	8.69
74-14-034	18	Zinc	10	17.50	9.57	9.01
74-14-035	20	Zinc	10	18.06	9.88	9.30
74-14-036	22	Zinc	10	18.74	10.25	9.65
74-14-037	24	Zinc	10	19.38	10.60	9.97
74-14-038	26	Zinc	10	20.06	10.97	10.32
74-14-039	28	Zinc	10	20.88	11.41	10.74
74-14-040	10	Ebony Black	10	16.28	9.19	8.63
74-14-041	12	Ebony Black	10	16.62	9.38	8.81
74-14-042	14	Ebony Black	10	17.14	9.37	8.82
74-14-043	16	Ebony Black	10	17.72	9.69	9.12
74-14-044	18	Ebony Black	10	18.38	10.05	9.46
74-14-045	20	Ebony Black	10	18.98	10.38	9.77
74-14-046	22	Ebony Black	10	19.66	10.75	10.12
74-14-047	24	Ebony Black	10	20.38	11.14	10.49



8401



8402



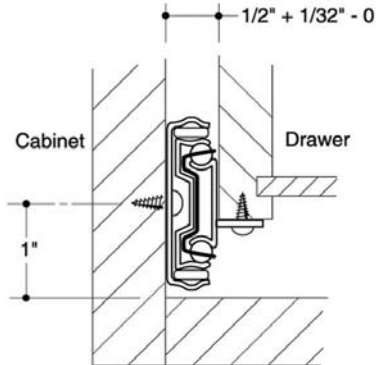
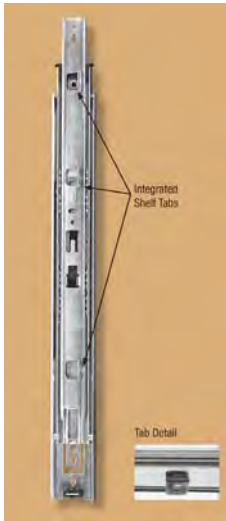
8404

Accessories

Product Code	Description	Pairs/Case	List	Each	Case
74-14-026	8401 Bracket	20	\$1.84	\$1.18	\$1.02
74-14-025	8402 Bracket	20	1.60	1.09	0.91
74-14-028	8404 Bracket	20	1.06	0.72	0.60



Roll-Out Tray/Desk Slides With Shelf Tabs – Full Extension – 100-lb. – 8407 Series



Designed for use on box drawer applications up to 24" wide and where the maximum weight load is not to exceed 100 pounds. Product features built-in shelf tabs and a lever disconnect for easy drawer removal. Zinc. 10 per box.

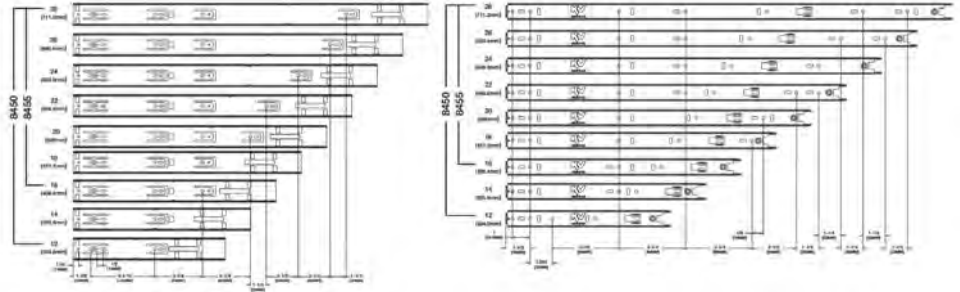
Product Code	Length In.	Pairs/Case	List	Each	Case
74-14-150	10	10	\$24.96	\$13.62	\$12.84
74-14-151	12	10	24.96	13.62	12.84
74-14-152	14	10	25.10	13.69	12.91
74-14-153	16	10	25.24	13.77	12.99
74-14-154	18	10	26.06	14.13	13.18
74-14-155	20	10	26.98	14.63	13.64
74-14-156	22	10	27.94	15.14	14.12
74-14-157	24	10	28.90	15.67	14.61
74-14-158	26	10	29.42	15.95	14.87
74-14-159	28	10	29.96	16.24	15.14

MANUFACTURERS' CATALOGS

We shall be glad to send manufacturers' catalogs and other available publications and data on request.



Soft-Close Drawer Slides Full Extension – 8450, 8455 Series

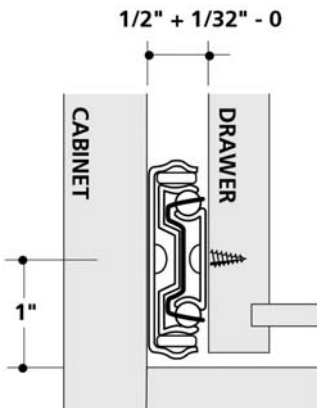


8450 Soft-Close Full Extension Drawer Slide

Designed for use on box drawer applications upto 24" wide where the maximum weight load is not to exceed 100 pounds. Product features a "soft-close" feature that eliminates drawer slamming.

8455 Soft-Close Overtravel Drawer Slide

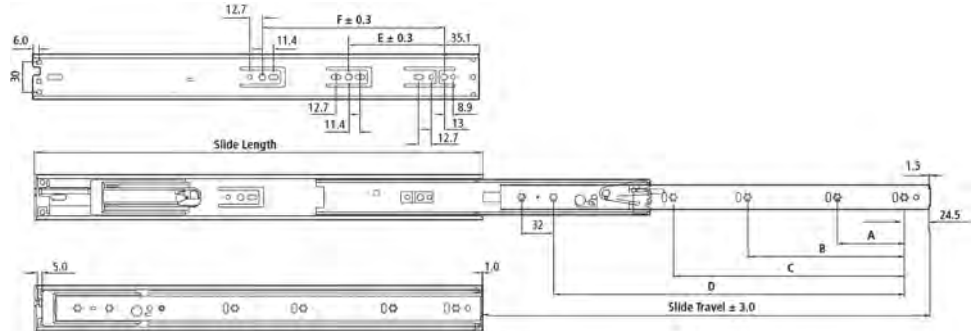
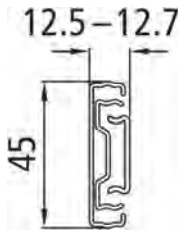
Designed for use on box drawer applications upto 24" wide where the maximum weight load is not to exceed 90 pounds. Product features a "soft-close" feature that eliminates drawer slamming.



Product Code	Length In.	Finish	Pairs/Case	List	Each	Case
100# Soft Close Full Extension						
74-14-060	12	Zinc	10	\$25.10	\$14.12	\$13.29
74-14-061	14	Zinc	10	25.10	14.12	13.29
74-14-062	16	Zinc	10	25.10	14.12	13.29
74-14-063	18	Zinc	10	25.42	14.30	13.46
74-14-064	20	Zinc	10	25.74	14.48	13.62
74-14-065	22	Zinc	10	26.14	14.71	13.84
74-14-066	24	Zinc	10	26.42	14.86	13.99
74-14-067	26	Zinc	10	26.80	15.08	14.19
74-14-068	28	Zinc	10	27.02	15.20	14.30
74-14-070	16	Black	10	26.42	14.86	13.99
74-14-071	18	Black	10	26.68	15.01	14.12
74-14-072	20	Black	10	27.02	15.20	14.30
74-14-073	22	Black	10	27.44	15.44	14.53
90# Soft Close 1" Overtravel						
74-14-075	16	Zinc	10	25.10	14.12	13.29
74-14-076	18	Zinc	10	25.42	14.30	13.46
74-14-077	20	Zinc	10	25.74	14.48	13.62
74-14-078	22	Zinc	10	26.14	14.71	13.84
74-14-079	24	Zinc	10	26.42	14.86	13.99
74-14-080	26	Zinc	10	26.80	15.08	14.19
74-14-081	28	Zinc	10	27.02	15.20	14.30
74-14-085	16	Black	10	26.42	15.85	14.86
74-14-086	18	Black	10	26.68	16.01	15.01
74-14-087	20	Black	10	27.02	16.21	15.20
74-14-088	22	Black	10	27.44	16.47	15.44

U.S. Futaba, Inc.

Drawer Slides Ball Bearing – Soft Close – 100- lb. – Series 1402



Length		Travel		A		B		C		D		E		F		Load	
Inches	mm	Inches	mm	Inches	mm	Inches	mm	Inches	mm	Inches	mm	Inches	mm	Inches	mm	lbs	kg
12	300	8-1/2	215	2-1/2	64					7-9/16	192					50	22.7
14	350	11-3/8	290	3-3/4	96					10-1/16	256	3-3/4	96			60	27.2
16	400	14-3/8	365	6-1/4	160					11-5/16	288	6-1/4	160			60	27.2
18	450	17-5/16	440	3-3/4	96	7-9/16	192			13-7/8	352	3-3/4	96	7-9/16	192	100	45.4
20	500	19-11/16	500	3-3/4	96	8-13/16	224			15-1/8	384	5	128	10	256	100	45.4
22	550	21-11/16	550	3-3/4	96	8-13/16	224			17-5/8	448	6-1/4	160	12-9/16	320	100	45.4
24	600	23-5/8	600	5	128	8-13/16	224	16-3/8	416	19-1/2	496	7-9/16	192	13-7/8	352	100	45.4
26	650	25-9/16	650	5	128	11-5/16	288	17-5/8	448	21-3/8	544	7-9/16	192	16-3/8	416	80	36.2
28	700	27-9/16	700	5	128	11-5/16	288	18-7/8	480	23-1/4	592	8-13/16	224	17-5/8	448	70	31.8

Features ball bearing design, cushioned out-stop and 2" stroke. Compatible with 32mm screw mounting system. Zinc plated finish. 100-lb. capacity at 22".
Note: Requires 1/2" side spacing overall.



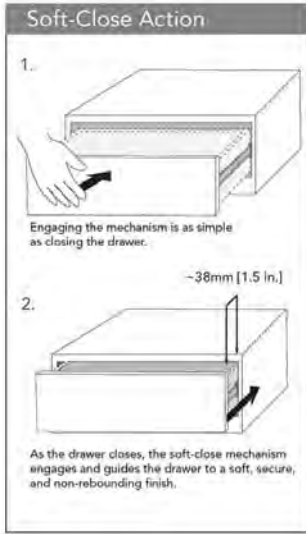
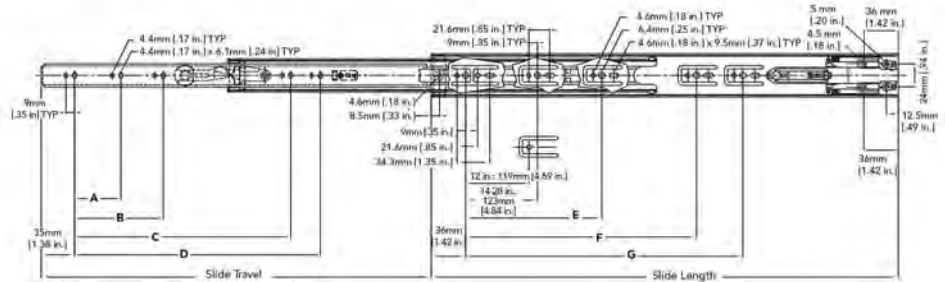
Product Code	Length		Travel mm	Pairs/Case	List	Each	Case
	In.	mm					
74-12-150	12	300	215	10	\$17.30	\$9.55	\$9.23
74-12-152	14	350	290	10	17.60	9.52	9.15
74-12-154	16	400	365	10	18.20	9.84	9.46
74-12-156	18	450	440	10	19.22	10.40	9.99
74-12-158	20	500	500	10	20.38	11.02	10.59
74-12-160	22	550	550	10	21.66	11.71	11.25
74-12-162	24	600	600	10	23.00	12.44	11.95
74-12-164	26	650	650	10	23.88	12.91	12.41
74-12-166	28	700	700	10	24.90	13.46	12.94

Accessories

Product Code	Description	Finish	Case Qty.	List	Each	Case
74-73-015	Rear mounting bracket	Zinc	200	\$1.96	\$1.20	\$1.04

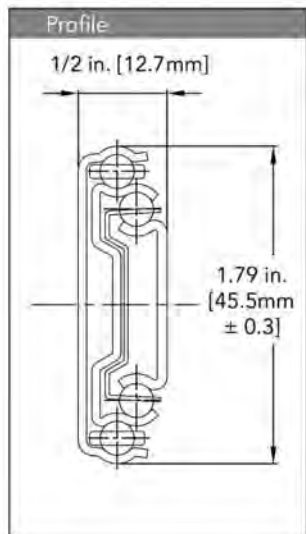


Drawer Slides Ball Bearing 100 Lb. — Soft Close — Series 4270



Features non-handed design with industry standard 1/2" side clearance and lever disconnect for easy drawer removal. Ball-bearing construction delivers a smooth operation with a gentle, effective closure action. The 1-1/2" long pneumatic cylinder provides a quality soft-close action. 100-lb capacity. Case qty. 10 pair.

Product Code	Length mm/In.	Travel	Case Qty.	List	Each	Case
74-12-200	300/12	8-1/2	10	\$16.86	\$8.96	\$8.68
74-12-201	350/14	12	10	17.20	9.14	8.87
74-12-202	400/16	16	10	17.80	9.46	9.17
74-12-203	450/18	18	10	18.70	9.93	9.63
74-12-204	500/20	20	10	19.86	10.55	10.23
74-12-205	550/22	22	10	21.08	11.20	10.86
74-12-206	600/24	24	10	22.38	11.89	11.53
74-12-207	650/26	26	10	23.56	12.52	12.14
74-12-208	700/28	28	10	24.74	13.14	12.74



Accessories

Product Code	Description	Case Qty.	List	1-19	20+
74-12-210	1401-2 Rear mounting bracket	20	\$1.20	\$0.92	\$0.75

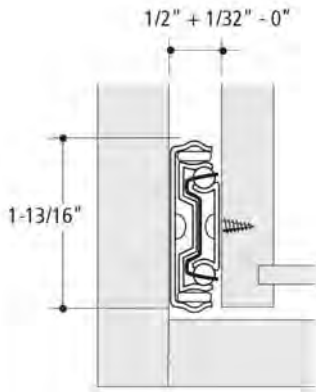


KNAPE & VOGT

Self-Close Precision Drawer Slides

100-lb. – 8417, 8419 Series

Designed for use of box drawer applications up to 18" wide and where the maximum weight load is not to exceed 100 pounds. Features a self-close function that is ideal for kitchen cabinets..



Product Code	Length In.	Finish	Pairs/Case	List	Each	Case
8417–Self-Closing						
74-14-090	12	Zinc	10	\$17.86	\$10.05	\$9.46
74-14-091	14	Zinc	10	18.34	10.32	9.71
74-14-092	16	Zinc	10	18.94	10.65	10.03
74-14-093	18	Zinc	10	19.60	11.03	10.38
74-14-094	20	Zinc	10	20.18	11.36	10.69
74-14-095	22	Zinc	10	20.88	11.75	11.05
74-14-096	24	Zinc	10	21.56	12.13	11.42
74-14-097	26	Zinc	10	22.34	12.56	11.82
8419–Self-Closing w/ 1" Overtravel						
74-14-100	14	Zinc	10	18.34	10.32	9.71
74-14-101	16	Zinc	10	18.94	10.65	10.03
74-14-102	18	Zinc	10	19.60	11.03	10.38
74-14-103	20	Zinc	10	20.18	11.36	10.69
74-14-104	22	Zinc	10	20.88	11.75	11.05
74-14-105	24	Zinc	10	21.56	12.13	11.42
74-14-106	26	Zinc	10	22.34	12.56	11.82

Stay Close Drawer Slides

100-lb - 8400 RV Series

The 8400 RV Stay-Close slide is designed to help keep a drawer closed. This is especially important for RVs and mobile carts. The 8400 RV series will accommodate loads up to 100 pounds.

Product Code	Length In.	Finish	Pairs/Case	List	Each	Case
74-14-140	10"	Zinc	10	\$23.10	\$12.23	\$11.88
74-14-141	12"	Zinc	10	23.10	12.23	11.88
74-14-142	14"	Zinc	10	22.98	12.16	11.82
74-14-143	16"	Zinc	10	23.70	12.54	12.18
74-14-144	18"	Zinc	10	24.44	12.93	12.56
74-14-145	20"	Zinc	10	25.10	13.29	12.91
74-14-146	22"	Zinc	10	25.92	13.72	13.33
74-14-147	24"	Zinc	10	26.76	14.17	13.76
74-14-148	26"	Zinc	10	27.66	14.64	14.22
74-14-149	28"	Zinc	10	29.10	15.41	14.97



Accessories

Product Code	Description	Pairs/Case	List	Each	Case
74-14-027	8403 Bracket	10	\$1.60	\$1.09	\$0.91
74-14-028	8404 Bracket	10	1.06	0.72	0.60



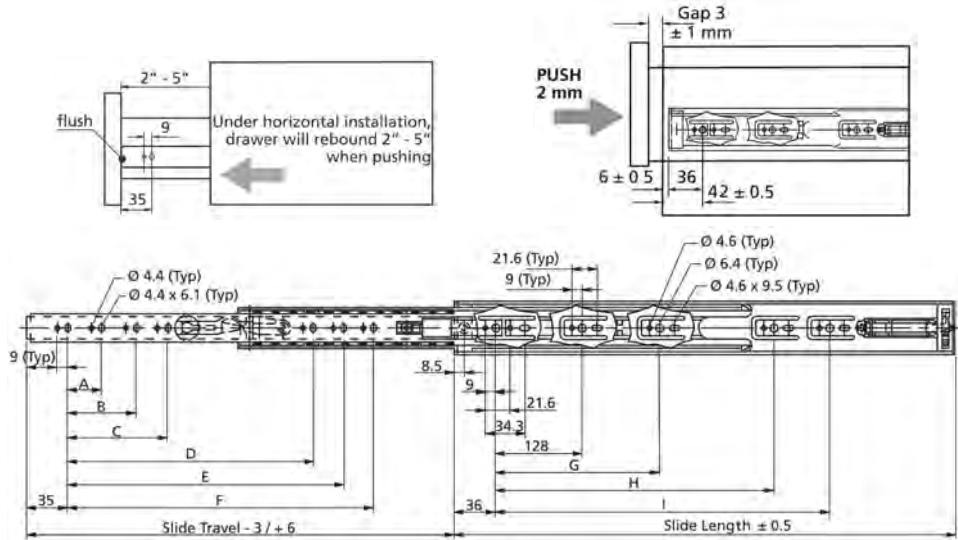
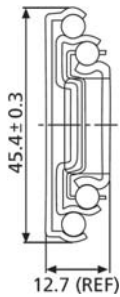
KNAPE & VOGT

Drawer Slides

Full Extension – Touch to Open – 100-lb. – 4260 Series

B

Drawer Slides & Specialty Slides



Features nonhanded disconnect release and 2" to 5" push rebound. Electro-zinc plated steel construction with chromate finish. 100-lb. load rating.

Note: Requires 1/2" side spacing.

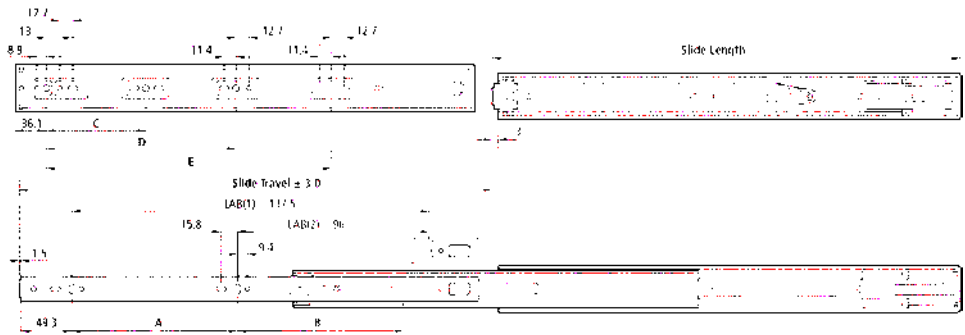
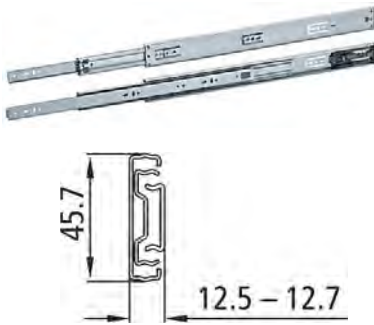
Product Code	Length		Travel mm	Maximum Drawer Width mm	Pairs/Case	List	Each	Case
	In.	mm						
74-12-130	10	250	238	450	20	\$13.90	\$7.39	\$7.16
74-12-132	12	300	305	500	20	14.58	7.75	7.51
74-12-134	14	350	356	550	20	15.02	7.98	7.74
74-12-136	16	400	406	600	20	15.62	8.30	8.04
74-12-138	18	450	457	650	10	16.64	8.84	8.57
74-12-140	20	500	508	700	10	17.50	9.30	9.02
74-12-142	22	550	559	750	10	18.70	9.93	9.63
74-12-144	24	600	610	800	10	19.86	10.55	10.23
74-12-146	26	650	660	850	10	21.08	11.20	10.86
74-12-148	28	700	711	900	10	22.24	11.82	11.46

Our customer service department has the answers you need!



Drawer Slides

Full Extension – Touch to Open – 100-lb. – 1952 Series

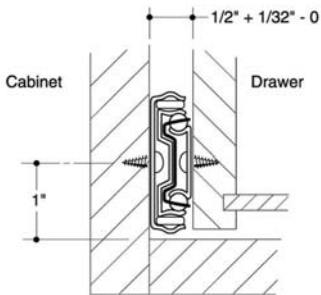


Features smooth motion with cushioned out-stop and touch release mechanism. Drawer rebounds at least 2/3 when properly installed. Compatible with 32mm screw mounting system. Zinc plated finish. 100-lb. load rating at 22°.

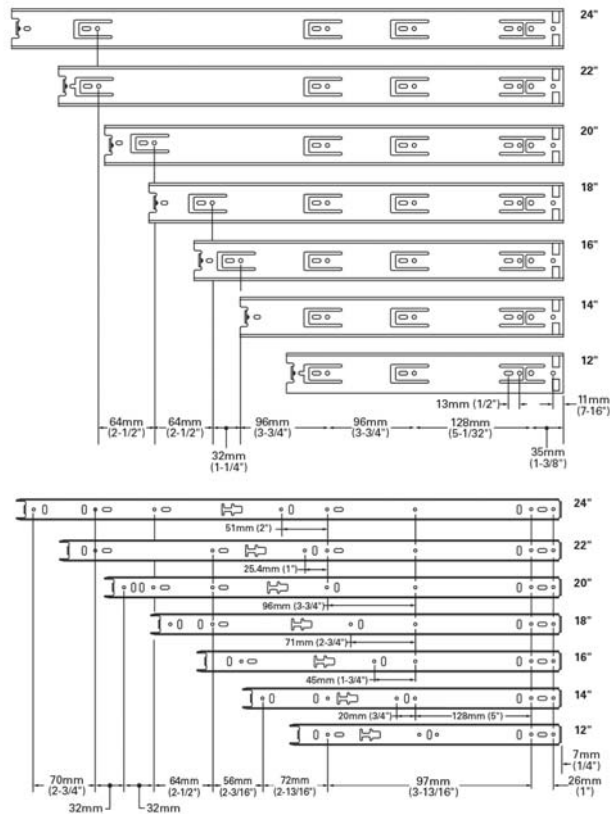
Note: Requires 1/2" side spacing.

Product Code	Length		Travel mm	Pairs/Case	List	Each	Case
	In.	mm					
74-12-170	9-7/8	250	230	10	\$14.32	\$7.75	\$7.45
74-12-172	11-7/8	300	305	10	14.92	8.07	7.76
74-12-174	13-13/16	350	356	10	15.28	8.26	7.94
74-12-176	15-13/16	400	406	10	15.88	8.59	8.25
74-12-178	17-3/4	450	457	10	17.16	9.28	8.91
74-12-180	19-11/16	500	508	10	18.10	9.79	9.41
74-12-182	21-5/8	550	559	10	19.16	10.36	9.95
74-12-184	23-11/16	600	610	10	20.46	11.06	10.63
74-12-186	25-5/8	650	660	10	21.56	11.65	11.20
74-12-188	27-9/16	700	711	10	22.60	12.22	11.75

Our pledge is
dedication to outstanding
customer service.



Precision Drawer Slides With Hold Out – Full Extension – 100-lb. – 8414 Series

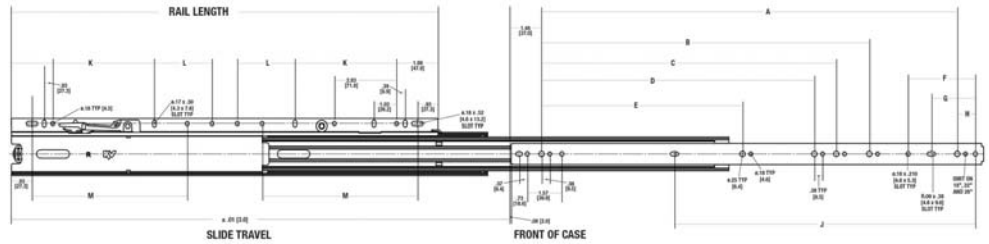


Designed for use on box drawer applications up to 24" wide and where the maximum weight load is not to exceed 100 pounds. The 8414 features a hold-out feature that is ideal for keyboard trays and auxiliary writing surfaces. Zinc..

Product Code	Length In.	Pairs/Case	List	Each	Case
74-14-120	10	10	\$21.44	\$11.70	\$11.03
74-14-121	12	10	22.18	12.10	11.41
74-14-122	14	10	22.78	12.42	11.71
74-14-123	16	10	23.38	12.76	12.03
74-14-124	18	10	24.26	13.23	12.47
74-14-125	20	10	24.84	13.55	12.77
74-14-126	22	10	25.74	14.04	13.24
74-14-127	24	10	26.50	14.46	13.63

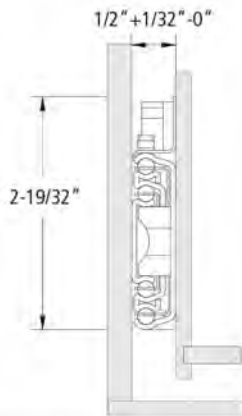


1" Over Travel Drawer Slide With Quick Disconnect Rail – 125-lb. – 6505 Series –



Designed for use in desk drawers, credenzas, store fixtures and hotel/institutional furniture where the maximum weight load is not to exceed 125 pounds. Zinc finish.

Product Code	Length In.	Pairs/Case	List	Each	Case
74-14-200	12	5	\$22.64	\$13.20	\$12.38
74-14-201	14	5	24.02	13.62	12.77
74-14-202	16	5	24.40	13.83	12.97
74-14-203	18	5	25.12	13.77	12.94
74-14-204	20	5	26.16	14.35	13.48
74-14-205	22	5	27.20	14.91	14.01
74-14-206	24	5	28.24	15.49	14.55
74-14-207	26	5	30.42	16.68	15.67
74-14-208	28	5	33.58	18.42	17.30



We carry products from the world's largest and best manufacturers.

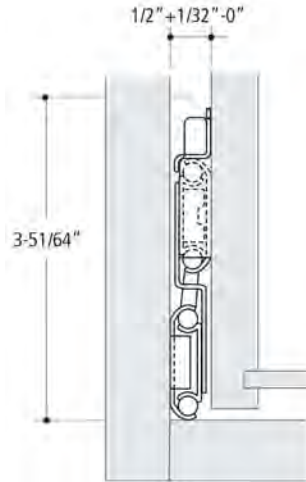
Centralize your purchases with us!



74-14-189



Lateral File Drawer Slides Heavy-Duty – 150-lb. – 8505 Series



8505 Heavy-Duty Lateral File Slide with 1-1/2" Overtravel

Designed for use on lateral file applications where 1-1/2" of drawer overtravel is needed and maximum weight load is not to exceed 150 lbs. Zinc.

Product Code	Length In.	Pairs/Case	List	Each	Case
1.5" Overtravel					
74-14-189	12	5	\$33.98	\$19.12	\$17.99
74-14-190	14	5	34.84	19.59	18.44
74-14-191	16	5	35.94	20.21	19.02
74-14-192	18	5	37.66	21.19	19.94
74-14-193	20	5	39.80	22.38	21.07
74-14-194	22	5	42.34	23.82	22.42
74-14-195	24	5	45.84	25.79	24.27
74-14-196	26	5	49.52	27.86	26.22
74-14-197	28	5	53.48	30.09	28.32
74-14-198	30	5	57.98	32.62	30.70



74-14-180

Lateral File Drawer Slides

Extra Heavy-Duty – 175-lb. – 8520, 8525 Series

8520 Extra Heavy-Duty Lateral File Slide - Full Extension

Designed for use on lateral file applications where the maximum weight load is not to exceed 175 lbs.

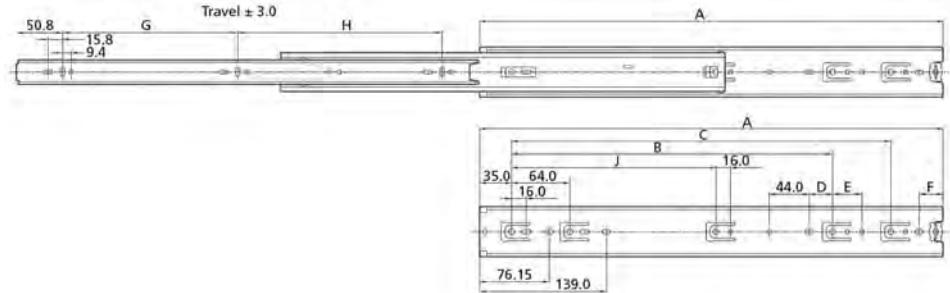
8525 Extra Heavy-Duty Lateral File Slide with 1-1/2" Overtravel

Designed for use on lateral file applications where the maximum weight load is not to exceed 175 lbs.

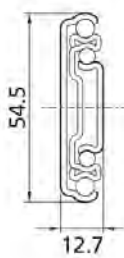
Product Code	Length In.	Pairs/Case	List	Each	Case
Full Extension					
74-14-180	16	5	\$45.64	\$25.67	\$24.16
74-14-181	18	5	47.68	26.82	25.25
74-14-182	20	5	50.54	28.43	26.76
1.5" Overtravel					
74-14-185	16	5	43.82	24.65	23.20
74-14-186	18	5	45.98	25.86	24.34
74-14-187	20	5	48.50	27.28	25.68



Drawer Slides Full Extension – 200 lb – 3031 Series

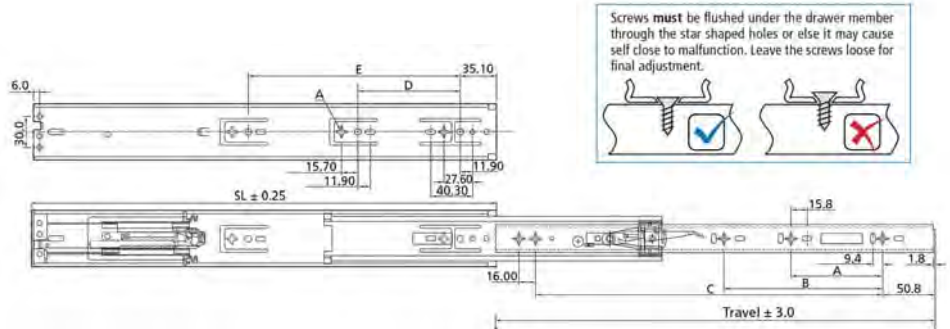


200lb load capacity slide with 1/2" side clearance. Full extension slide has a 2-9/64" height with a trigger release for easy and safe drawer removal. Breather tabs allow the slide to self adjust to accommodate variation in side clearance. Slides are non-handed and Anti-rebound. Screw mounting is 32mm compatible. Cabinet members have an easy access window that allows installation without the need to remove the drawer member. Zinc finish.



Product Code	Length	Load capacity		Case Quantity	List	Each	Case
		lbs					
74-12-220	10" / 250mm	131		10	\$17.43	\$10.72	\$9.96
74-12-221	12" / 300mm	145		10	19.70	12.12	11.26
74-12-222	14" / 350mm	162		10	21.98	13.52	12.56
74-12-223	16" / 400mm	180		10	24.10	14.83	13.77
74-12-224	18" / 450mm	200		10	26.20	16.12	14.97
74-12-225	20" / 500mm	200		5	28.33	17.43	16.19
74-12-226	22" / 550mm	200		5	30.60	18.83	17.49
74-12-227	24" / 600mm	180		5	32.73	20.14	18.70
74-12-228	26" / 650mm	162		5	35.43	21.80	20.24
74-12-229	28" / 700mm	145		5	37.98	23.37	21.70
74-12-230	30" / 750mm	131		5	40.80	25.11	23.31
74-12-231	32" / 800mm	118		5	43.50	26.77	24.86

Drawer Slides Soft Close Full Extension – 130 lb – 3131 Series



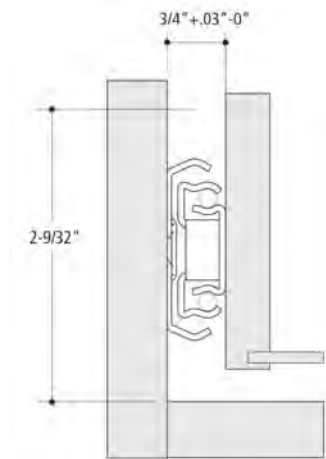
130lb load capacity Soft Close slide with 1/2" side clearance and 2" Soft Close stroke. Full extension slide has a 2-9/64" height with a trigger release for easy and safe drawer removal. Breather tabs allow the slide to self adjust to accommodate variation in side clearance. Slides are non-handed and Anti-rebound.

Screw mounting is 32mm compatible. Cabinet members have an easy access window that allows installation without the need to remove the drawer member. Use only flat head screws to mount. Zinc finish.

Product Code	Length	Load capacity		Case Quantity	List	Each	Case
		lbs					
74-12-237	18" / 450mm	130		10	\$35.38	\$21.77	\$20.21
74-12-238	20" / 500mm	130		5	37.75	23.23	21.57
74-12-239	22" / 550mm	130		5	39.78	24.48	22.73



Drawer Slides
Full Extension – Heavy Duty – 200-lb. – 8800 Series



3/4" Side. Designed for heavy-duty applications where the maximum weight load is not to exceed 200 lbs.

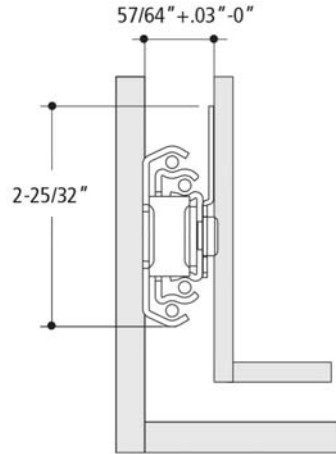
Product Code	Length In.	Pairs/Case	List	Each	Case
74-14-210	12	4	\$37.50	\$20.57	\$19.62
74-14-211	14	4	39.40	21.63	20.62
74-14-212	16	4	41.22	22.62	21.57
74-14-213	18	4	45.10	24.75	23.60
74-14-214	20	4	48.00	26.34	25.11
74-14-215	22	4	50.80	27.88	26.58
74-14-216	24	4	53.84	29.55	27.69
74-14-217	26	4	56.66	31.09	29.14
74-14-218	28	4	60.38	33.14	31.06

Visit our Web site at
www.aetnaplywood.com!



Drawer Slides

With 1" Overtravel – Heavy-Duty – 200-lb. – 8805 Series



7/8" Side. Designed for heavy-duty applications where 1" overtravel and a quick disconnect rail are needed. Maximum weight load is not to exceed 200 lbs. .

Product Code	Length In.	Pairs/Case	List	Each	Case
74-14-220	12	4	\$39.40	\$21.63	\$20.27
74-14-221	14	4	41.56	22.80	21.74
74-14-222	16	4	43.52	23.88	22.77
74-14-223	18	4	47.50	26.07	24.86
74-14-224	20	4	50.68	27.81	26.52
74-14-225	22	4	53.52	29.37	28.00
74-14-226	24	4	56.66	31.09	29.65
74-14-227	26	4	59.64	32.73	30.68
74-14-228	28	4	63.66	34.94	32.74

Think of AETNA
for all your product needs!

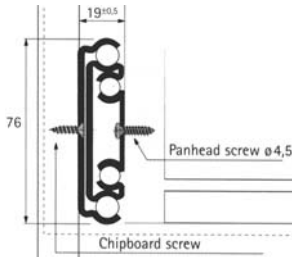


Drawer Slides

High Load – Full Extension – 500-Lb. – Series 3320

Chromated steel construction. Features overtravel, ball bearing design, pull-out stop and roll-out prevention. 3/4" side clearance. 5 sets per case.

Note: Available in 14" to 60" lengths.



Product Code	Length In.	List	Each	Case
74-11-300	14	\$101.92	\$58.24	\$54.35
74-11-301	16	110.70	63.26	59.04
74-11-304	18	120.32	68.76	64.17
74-11-307	20	127.76	73.01	68.14
74-11-310	22	138.78	79.30	74.02
74-11-313	24	152.80	87.31	81.49
74-11-316	26	163.20	93.26	87.04
74-11-319	28	173.32	99.04	92.44

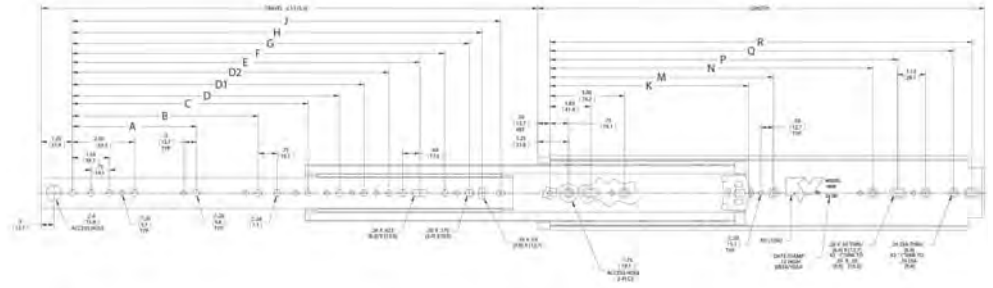
Not all the products we carry
are listed in this catalog.
If you don't see what you're looking for,
please contact your local branch
for assistance.



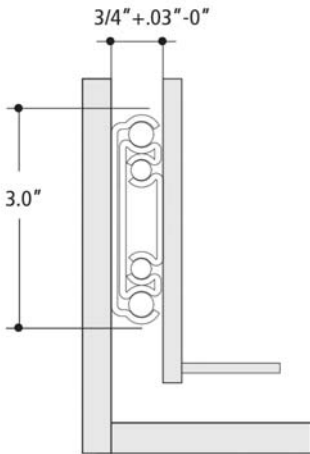
KNAPE & VOGT

Drawer Slides

Full Extension – Extra Heavy-Duty – 500-lb. – 8900 Series



3/4" Side. Designed for extra heavy-duty applications where the maximum weight load is not to exceed 500 lbs.

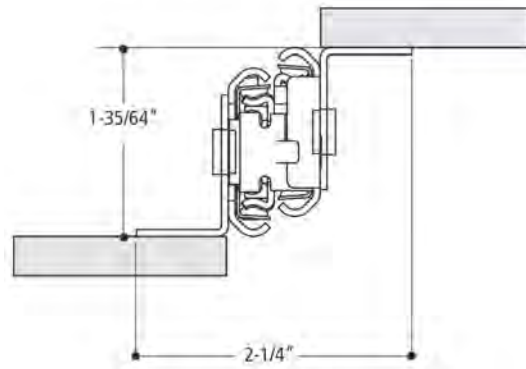


Product Code	Length In.	Pairs/Case	List	Each	Case
74-14-230	10	4	\$101.78	\$53.89	\$50.89
74-14-231	12	4	92.12	48.77	46.06
74-14-232	14	4	97.40	51.56	48.70
74-14-233	16	4	106.04	56.13	53.02
74-14-234	18	4	115.20	60.99	57.60
74-14-235	20	4	122.24	64.71	61.12
74-14-236	22	3	132.74	70.27	66.37
74-14-237	24	3	146.28	77.44	73.14
74-14-238	26	3	156.06	82.62	78.03
74-14-239	28	3	165.50	87.62	82.75
74-14-240	30	2	178.58	94.54	89.29
74-14-241	32	2	192.72	102.03	96.36
74-14-242	34	2	206.06	109.09	103.03
74-14-243	36	2	213.00	112.77	106.50
74-14-244	40	2	255.66	135.35	127.83
74-14-245	42	2	280.12	148.30	140.06
74-14-246	44	2	313.50	165.97	156.75
74-14-247	48	2	356.24	188.60	178.12
74-14-248	60	2	485.00	256.76	242.50

Lock In, Lock Out & Lockin/Lockout versions are available.



Undermount Pantry Slides 130-lb. – 8000 Series



Designed for use with kitchen pantries, computer and entertainment centers, or where a pull-out shelf is needed. This slide features removable brackets that allow for fast and easy installation. Maximum weight load is 130 pounds.

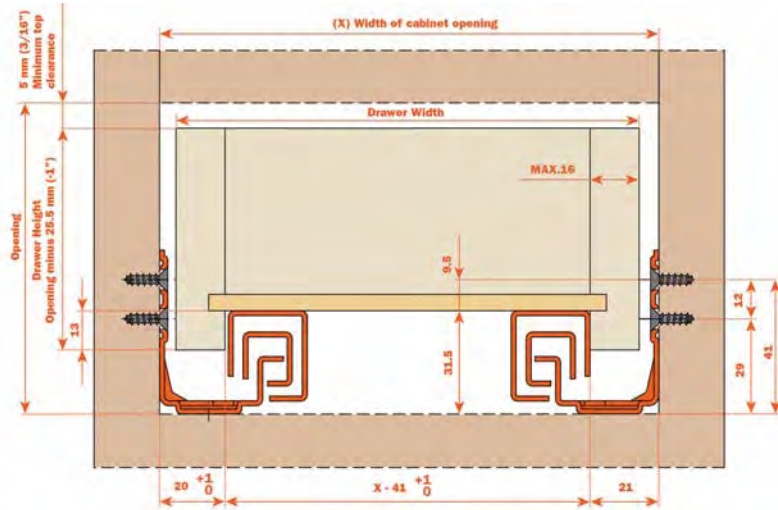
Product Code	Length In.	Pairs/Case	List	Each	Case
74-14-500	12	5	\$69.44	\$37.87	\$35.91
74-14-501	14	5	70.90	38.67	36.67
74-14-502	16	5	71.66	39.09	37.06
74-14-503	18	5	73.16	39.91	37.84
74-14-504	20	5	74.24	40.49	38.40
74-14-505	22	5	76.14	41.53	39.38
74-14-506	24	5	78.36	42.74	40.53
74-14-507	26	5	80.56	43.94	41.66
74-14-508	28	5	82.86	45.19	42.85

**We have four locations
to serve you:**

- Maywood, IL
- Rockford, IL
- Indianapolis, IN
- White Bear Lake, MN

SALICE

Drawer Slides Undermount – Soft Close – Futura 5/8"



Features fully integrated Smove in runner to decelerate closing action, safety system to prevent turnover and +2.5mm height adjustment. 100-lb. static /75-lb. dynamic load capacity. Bright zinc-plated finish. 6 per case. Maximum 5/8" side thickness.

Note: Requires one pair of front fixing clips for installation (not included).

Drawer Slides

Product Code	Length In.	List	Each	Case	5 Case
74-01-235	9	\$25.98	\$14.50	\$13.70	\$13.38
74-01-236	12	26.54	13.88	13.12	13.70
74-01-237	15	24.62	14.04	13.27	12.67
74-01-238	18	23.86	13.42	12.63	12.27
74-01-239	21	25.22	14.19	13.35	12.97



74-01-220

Accessories

Product Code	Description	Case Qty.	List	Each	Case
74-01-221	Standard front clip set	6 pr	\$1.72	\$1.32	\$1.08
74-01-241	6 Way adjustable front clip set	6 pr	5.58	3.51	3.24
74-01-220	Rear mounting bracket	12 ea	0.72	0.53	0.46
74-01-228	Self adjusting plastic rear mounting bracket 12" & up	30 ea	1.26	0.91	0.74
74-01-229	Rear mounting bracket for narrow drawers	30 ea	0.72	0.54	0.43
74-01-230	Plastic rear mounting bracket for 9"	30 ea	2.84	2.06	1.68
74-01-227	Drilling jig for drawer mounting hole	1 ea	39.97	29.95	-
74-01-207	Boring jig for standard front fixing clips	1 ea	41.60	25.21	-
74-01-208	Boring jig for 6 way front fixing clips	1 ea	41.60	25.21	-



74-01-221

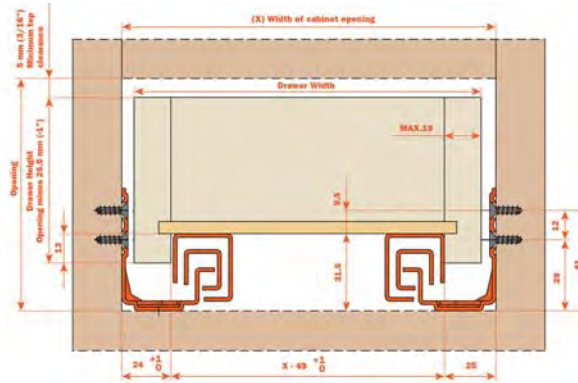


74-01-241

SALICE



Drawer Slides Undermount – Soft Close – Futura 3/4"



Features fully integrated Smove in runner to decelerate closing action, safety system to prevent turn-over and +2.5mm height adjustment. 100-lb. static /75-lb. dynamic load capacity. Bright zinc-plated finish. Designed for 3/4" thick side material. 6 per case.

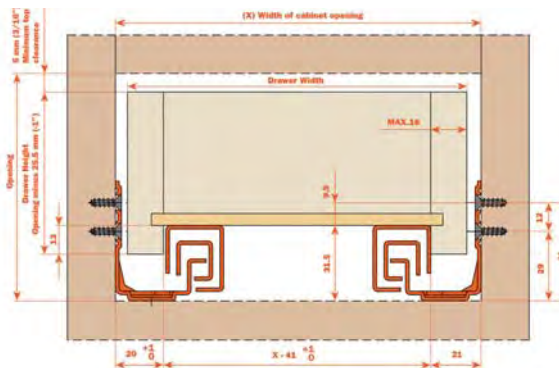
Note: Requires one pair of front fixing clips for installation (not included).

Drawer Slides

Product Code	Length In.	List	Each	Case	5 Case
74-01-242	12	\$27.76	\$15.23	\$14.75	\$14.31
74-01-243	15	28.14	15.43	14.95	14.49
74-01-244	18	30.08	16.50	15.98	15.50
74-01-245	21	31.84	17.46	16.92	16.40



Drawer Slides Undermount – Push to Open – Futura Push



Features push opening system and drawer height adjustment. Safety system prevents drawer from over-turning. 100-lb. static/75-lb. dynamic load capacity. Bright zinc-plated finish. 6 pair per case.

Product Code	Drawer Length		Runner Length	List	Each	Case
	In.	mm	mm			
74-01-223	12	305	315	\$25.18	\$13.89	\$12.99
74-01-224	15	381	391	25.84	14.26	13.34
74-01-225	18	457	467	27.84	15.36	14.37
74-01-226	21	533	543	29.64	16.36	15.30

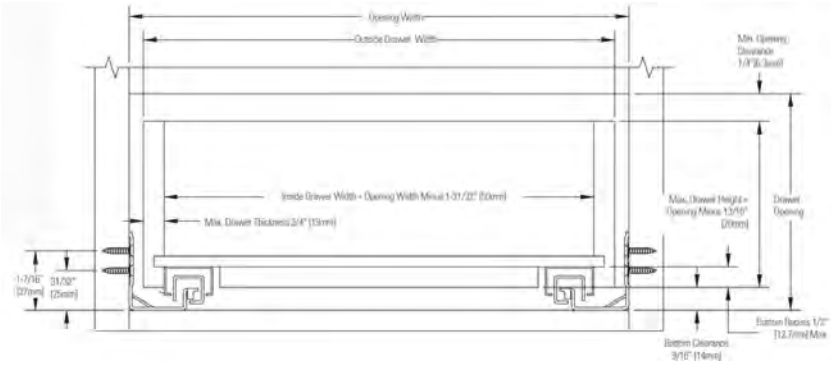
Futura front clips and accessories can be found on page 61.



Drawer Slides

Full Extension — Undermount — Soft Close — MuV

Stabilizing cassette rollers keep closed drawer fronts aligned and true. Hydraulic soft-close cylinder eliminates drawer "bounce-back". Features 32mm mounting hole pattern and elongated front and rear mounting holes. Accommodates deep drawer box size in standard cabinets. 75 lb dynamic capacity. 100 lb static. Front fixing clips included.



Drawer Slides

Product Code	Length mm/In.	Case Qty.	List	Each	Case
74-17-520	9	4	\$29.60	\$15.70	\$14.80
74-17-521	10	4	29.60	15.70	14.80
74-17-522	12	4	29.60	15.70	14.80
74-17-523	14	6	29.60	15.70	14.80
74-17-524	15	6	29.92	15.86	14.96
74-17-525	16	6	30.18	16.00	15.09
74-17-526	18	6	30.52	16.18	15.26
74-17-527	20	6	30.84	16.35	15.42
74-17-528	21	6	31.12	16.50	15.56
74-17-529	22	6	31.62	16.77	15.81

Accessories

Product Code	Description	Case Qty.	List	Each	Case
74-17-535*	MuV rear bracket 9" to 12"	4 pair	\$1.74	\$1.13	\$0.94
74-17-536	MuV rear bracket 14"+	12 each	0.92	0.77	0.53
74-17-537	MuV slide mounting jig	1	68.68	36.63	-

*These are sold by the pair.



74-17-535



74-17-536

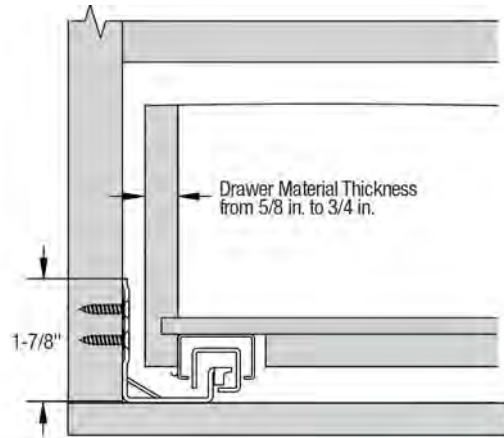


74-17-537



KNAPE & VOGT

Undermount Drawer Slides Full Extension – MuV34 Series



Drawer Slides

Product Code	Length In.	Pairs/Case	List	Each	Case
74-17-540	9	4	\$30.50	\$17.79	\$16.68
74-17-541	10	4	30.50	16.68	15.42
74-17-542	12	4	30.50	16.68	15.42
74-17-543	14	6	30.50	16.17	15.42
74-17-544	15	6	30.80	16.34	15.58
74-17-545	16	6	31.10	16.49	15.73
74-17-546	18	6	31.44	16.67	15.90
74-17-547	20	6	31.76	16.84	16.06
74-17-548	21	6	32.06	17.01	16.22
74-17-549	22	6	32.56	17.27	16.47

Accessories

Product Code	Description	Case Qty.	List	Each	Case
74-17-535	Plastic rear mounting brackets (sizes 9-12")	4 Pr.	\$1.74	\$1.13	\$0.94
74-17-536	Metal rear mounting brackets (sizes 14"+)	12 Ea.	0.92	0.77	0.53
74-17-537	Installation Jig	1	68.68	36.63	-



74-17-535



74-17-536

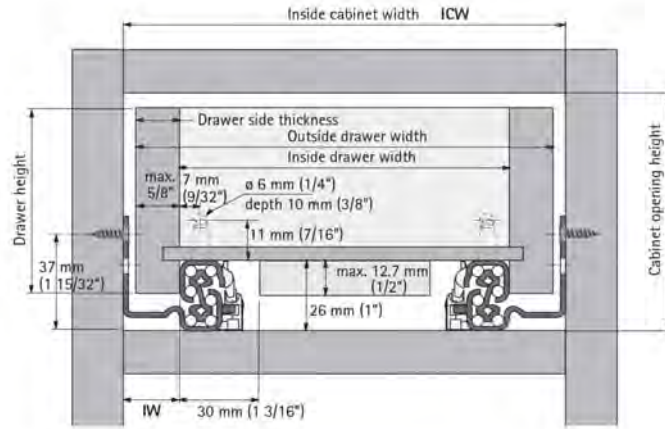


74-17-537



Drawer Slides

Undermount – Soft Close – Quadro IW21



Soft Close

For use with wooden drawers 9" to 21" in length. Features precision-guided steel balls, spring-operated self-close mechanism, and slide-on assembly. 75-lb. dynamic capacity; 100-lb. static. 10 pairs per case. **Soft-Close.** Features dampening device to close drawer softly and soundlessly.

Drawer Slides

Product Code	Drawer Length In.	Cabinet Depth In.	List	Each	Case
Soft-Close					
74-17-610	9	9-9/16 to 13-1/8	\$34.90	\$19.14	\$18.20
74-17-612	12	12-3/4 to 15-3/8	31.76	17.41	16.56
74-17-614	15	15-3/4 to 18-3/8	29.70	16.29	15.49
74-17-616	18	18-3/4 to 21-3/8	28.28	15.51	14.75
74-17-618	21	21-3/4 to 24-3/8	29.08	15.95	15.17



Front Fixing Clip Set



Rear Attachment Set

Accessories

Product Code	Desc.	List	Each	Case
74-17-623	Front fixing clip set for 1/2" material	\$1.62	\$1.06	\$0.88
74-17-622	Front fixing clip set for 5/8" material	1.54	1.03	0.84
74-17-620	Rear attachment set; includes (2) metal brackets and plastic sledges	2.46	1.49	1.31



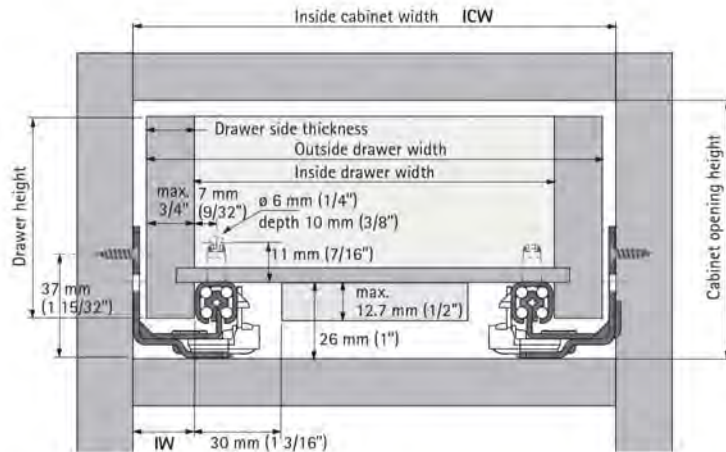
Drawer Slides Undermount Full Access – FAQ Series



Face Frame Slides



Frameless Slides



Face frame or frameless construction. 75 lbs dynamic and 100 lbs static load rating. Full Access Travel - 7/8 extension. Zinc galvanized finish. For 1/2" or 5/8" drawer material. Built-in side to side adjustment with right hand slide. Integrated damping device closes the drawer softly and quietly. Easy drawer removal with front fixing clips. Maintenance free self cleaning tracks. 5 pair per Case.

Face Frame w/ Silent System

Product Code	Length In.	Min. Cabinet Depth	List	Each	Case
74-17-650	9	11-1/8"	\$20.76	\$11.76	\$10.69
74-17-651	12	14-1/8"	19.98	11.32	10.29
74-17-652	15	17-1/8"	18.16	10.30	9.36
74-17-653	18	20-1/8"	18.42	10.44	9.49
74-17-654	21	23-1/8"	18.68	10.59	9.63

Frameless w/ Silent System

Product Code	Length In.	Min. Cabinet Depth	List	Each	Case
74-17-660	15	16-3/4"	\$20.62	\$11.69	\$10.63
74-17-661	18	19-3/4"	20.88	11.84	10.76
74-17-662	21	22-3/4"	21.14	11.98	10.89



Front Fixing Clip Set



Rear Attachment Set

Accessories

Product Code	Desc.	List	Each	Case
74-17-620	Rear attachment set; includes (2) metal brackets and plastic sledges	2.46	1.49	\$1.31
74-17-622	Front fixing clip set for 5/8" material	1.54	1.03	0.84
74-17-623	Front fixing clip set for 1/2" material	\$1.62	\$1.06	0.88



Drawer Slide Spacers

Features 2 mounting holes spaced 32mm apart to mount to cabinet, Euro-screw hole and 2 holes for #6 wood screws for mounting slides.

Product Code	Size In.	Color	List	1-49	50-499	500+
76-77-006	1/2	White	\$0.34	\$0.23	\$0.21	\$0.19
76-77-021	1/2	Almond	0.28	0.23	0.21	0.19
76-77-009	3/4	White	0.30	0.23	0.21	0.19
76-77-024	3/4	Almond	0.28	0.23	0.21	0.19
76-77-012	1	White	0.52	0.23	0.21	0.19
76-77-035	1	Tan	0.28	0.23	0.21	0.19
76-77-027	1	Almond	0.28	0.23	0.21	0.19
76-77-015	1-1/4	White	0.62	0.44	0.40	0.36
76-77-030	1-1/4	Almond	0.58	0.44	0.40	0.36
76-77-018	1-1/2	White	1.06	0.84	0.76	0.69
76-77-033	1-1/2	Almond	0.54	0.43	0.39	0.35



Protective Bumpers

Bumpon™

For use on cabinet doors and drawers, and as feet, stops or spacers. Adhesive backed polyurethane bumper.



Hexagonal Cone



Round



Cylindrical

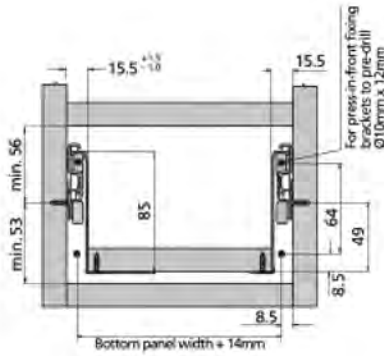
Product Code	Color	Shape	Thickness In.	Pieces/Sheet	Sheets/Case	List	Sheet	Case
76-71-001	Light brown	Hexagonal	.08	132	23	\$4.85	\$3.73	\$3.46
76-71-004	Clear	Round	.2	56	54	4.46	3.43	3.18
76-71-007	Clear	Round	.085	144	21	12.29	9.45	8.78
76-71-022	Clear	Cylindrical	.14	56	90	4.59	3.53	3.28
76-71-027	Clear	Hexagonal cone	.12	132	38	7.08	5.45	5.06
76-71-030	Clear	Hemispherical	.15	132	38	7.22	5.55	5.15

Our daily objective is to meet and greet our customers in a prompt, kind and courteous manner.

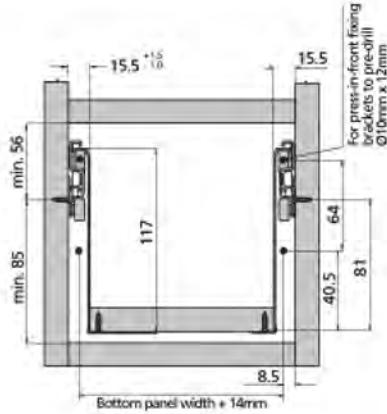
U.S. Futaba, Inc.

Front Installation

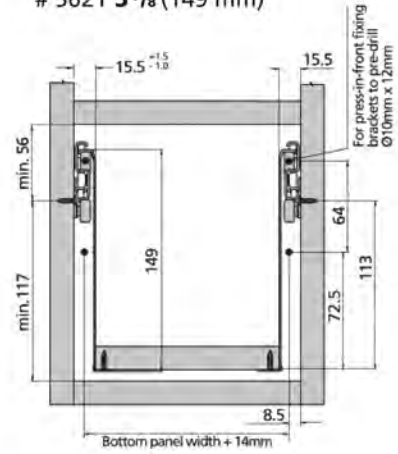
5021 $3\frac{11}{32}$ (85 mm)



5321 $4\frac{19}{32}$ (117 mm)

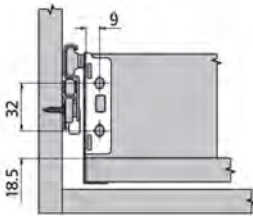


5621 $5\frac{7}{8}$ (149 mm)

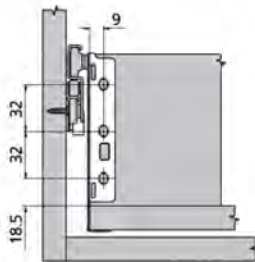


Back Installation

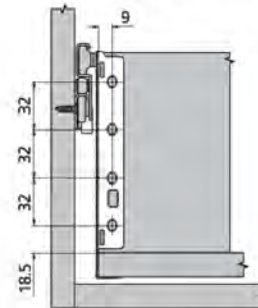
5021 $3\frac{11}{32}$ (85 mm)



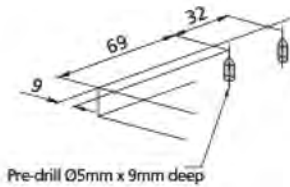
5321 $4\frac{19}{32}$ (117 mm)



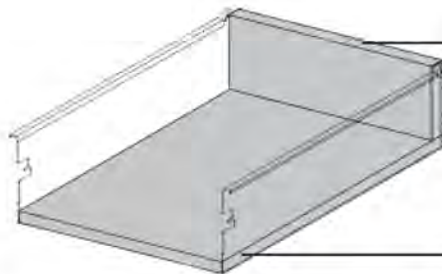
5621 $5\frac{7}{8}$ (149 mm)



Drilling Dimensions of bottom panel for RTA.



Cutting Dimensions for 16 mm chipboard. Plug-in fixing for easy assembly.



Back Panel

Width = Internal carcase width - 31 mm

Heights: # 5021 = 71 mm

5321 = 103 mm

5621 = 135 mm

also available: Steel Back Panel - ask us for details!

Bottom Panel

Width = Internal carcase width - 31 mm

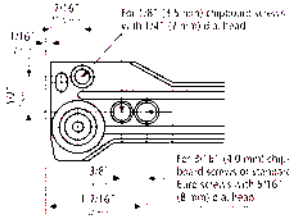
Length = Drawer length - 2 mm



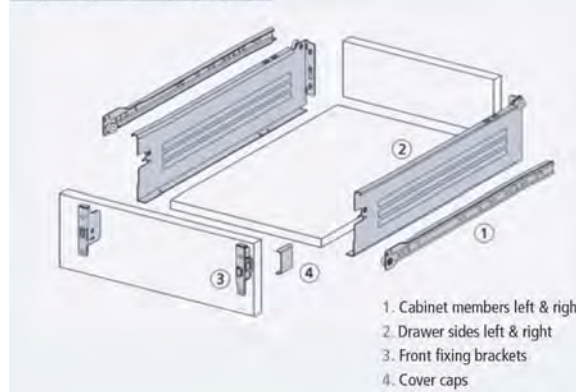
Metal Drawer Systems

3/4 Extension – Impaz – Harn®

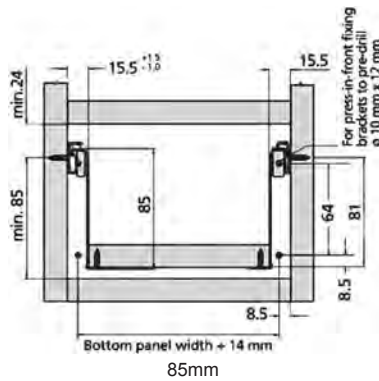
Features flexible two-dimensional front adjustment, double out-stop safety, and smooth rolling mechanism. Self-closing. Locks in position when extended. Includes left and right cabinet members, drawer sides, left and right cabinet members, drawer sides. White epoxy finish. 100-lb. capacity



Complete drawer assembly requires:

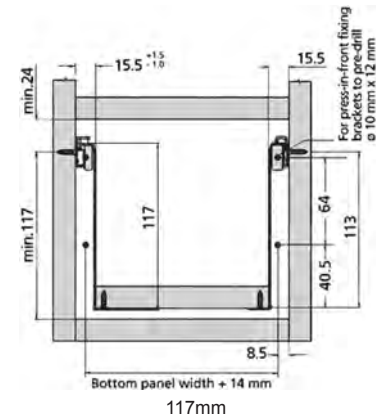


1. Cabinet members left & right
2. Drawer sides left & right
3. Front fixing brackets
4. Cover caps



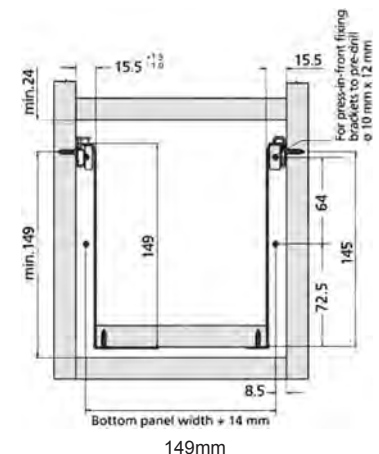
85mm Drawer Height

Product Code	Drawer Length		Minimum Cabinet Depth In.	Case Qty.	List	Each	Case
	Nom., In.	Actual, mm					
74-06-300	11	270	11-7/8	10	\$8.30	\$4.96	\$4.60
74-06-302	14	350	13-7/8	10	8.78	5.44	5.04
74-06-304	16	400	15-7/8	10	9.32	5.78	5.35
74-06-306	18	450	17-13/16	10	9.88	6.13	5.68
74-06-308	20	500	19-13/16	10	10.48	6.50	6.02
74-06-310	22	550	21-13/16	10	11.28	7.00	6.48



117mm Drawer Height

Product Code	Drawer Length		Minimum Cabinet Depth In.	Case Qty.	List	Each	Case
	Nom., In.	Actual, mm					
74-06-314	14	350	13-7/8	5	\$11.66	\$7.24	\$6.70
74-06-316	16	400	15-7/8	5	12.08	7.49	6.94
74-06-318	18	450	17-13/16	5	12.52	7.76	7.19
74-06-320	20	500	19-13/16	5	12.92	8.02	7.43
74-06-322	22	550	21-13/16	5	13.90	8.63	7.99



149mm Drawer Height

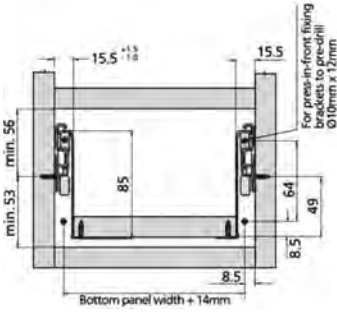
Product Code	Drawer Length		Minimum Cabinet Depth In.	Case Qty.	List	Each	Case
	Nom., In.	Actual, mm					
74-06-326	14	350	13-7/8	5	\$14.48	\$8.98	\$8.32
74-06-328	16	400	15-7/8	5	14.96	9.28	8.60
74-06-330	18	450	17-13/16	5	15.50	9.62	8.91
74-06-332	20	500	19-13/16	5	16.06	9.96	9.22
74-06-334	22	550	21-13/16	5	17.22	10.68	9.89



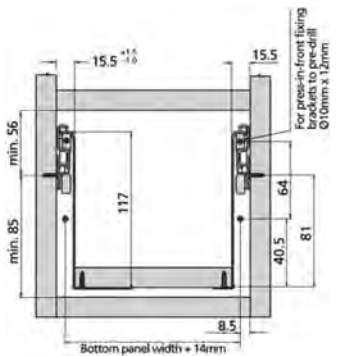
Metal Drawer Systems

Full Extension – Impaz – Harn®

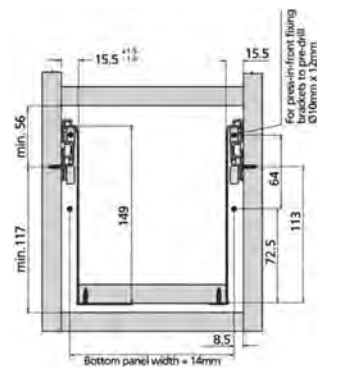
Features flexible 2-dimensional front adjustment, double out-stop safety, and smooth rolling mechanism. Self closing. Locked-in position when extended. Includes cabinet members left and right, drawer sides left and right. White epoxy coated finish. 100-lb. capacity. 5 sets per case.



85mm



117mm

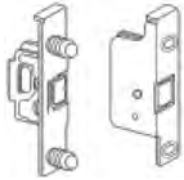


149mm

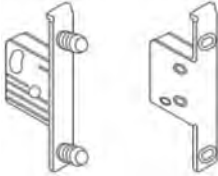
Product Code	Drawer Length		Minimum Cabinet Depth In.	List	Each	Case
	Nominal In.	Actual, mm				
85mm Drawer Height						
74-06-340	14	350	14-1/8	\$21.94	\$13.60	\$12.60
74-06-342	16	400	16-1/16	23.22	14.40	13.34
74-06-344	18	450	18-1/16	24.60	15.25	14.12
74-06-346	20	500	20	26.06	16.16	14.97
74-06-348	22	550	21-15/16	28.02	17.38	16.09

Product Code	Drawer Length		Minimum Cabinet Depth In.	List	Each	Case
	Nominal In.	Actual, mm				
117mm Drawer Height						
74-06-350	14	350	14-1/8	\$25.84	\$16.02	\$14.83
74-06-352	16	400	16-1/16	26.66	16.53	15.31
74-06-354	18	450	18-1/16	27.46	17.03	15.77
74-06-356	20	500	20	28.42	17.62	16.32
74-06-358	22	550	21-15/16	30.50	18.92	17.52

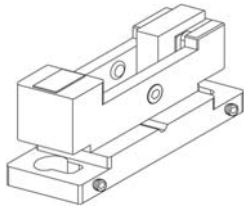
Product Code	Drawer Length		Minimum Cabinet Depth In.	List	Each	Case
	Nominal In.	Actual, mm				
149mm Drawer Height						
74-06-360	14	350	14-1/8	\$29.32	\$18.18	\$16.83
74-06-362	16	400	16-1/16	26.66	16.53	15.31
74-06-364	18	450	18-1/16	27.46	17.03	15.77
74-06-366	20	500	20	32.52	20.16	18.67
74-06-368	22	550	21-15/16	34.96	21.68	20.08



Slide-On



Clip-On



Mounting Brackets

Drawer Front – Impaz – Harn®

Zinc finish. 250 per case.

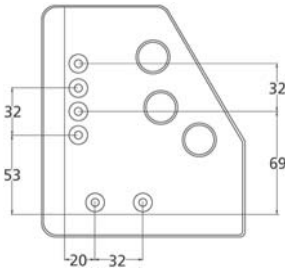
Product Code	Bracket Type	Side	List	Each	Case
Slide-On					
74-06-370	Screw-on	Left	\$1.22	\$0.76	\$0.70
74-06-372	Screw-on	Right	1.22	0.76	0.70
74-06-374	Press-in	Left	1.58	0.98	0.91
74-06-376	Press-in	Right	1.58	0.98	0.91
Clip-On					
74-06-378	Screw-on	Left	2.40	1.49	1.38
74-06-380	Screw-on	Right	2.40	1.49	1.38
74-06-382	Press-in	Left	2.78	1.73	1.60
74-06-384	Press-in	Right	2.78	1.73	1.60

Insertion Rams

Impaz – Harn®

For use with press-in front fixing brackets. Gray.

Product Code	For Bracket Type	List	Each
74-06-396	Slide-on	\$119.50	\$63.74
74-06-398	Clip-on	118.90	63.42

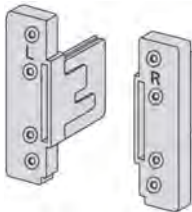


Drilling Template

Harn®

For drilling or marking bottom and back panels. Gray.

Product Code	Description	List	Each
74-06-394	Drilling template	\$149.78	\$79.88



Marking Jigs

Drawer Front – Harn®

Includes (6) marking pins. Gray.

Product Code	Description	List	Each
74-06-390	Left and right hand jigs	\$4.52	\$2.79



Marking Jigs

Railing – Harn®

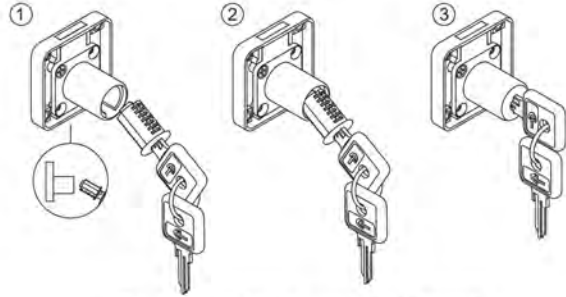
For use in front panel single and double railing applications. Gray.

Product Code	Description	List	Each
74-06-392	Single and double railing	\$2.96	\$1.82

Removable Core System



► Insertion of cylinder core

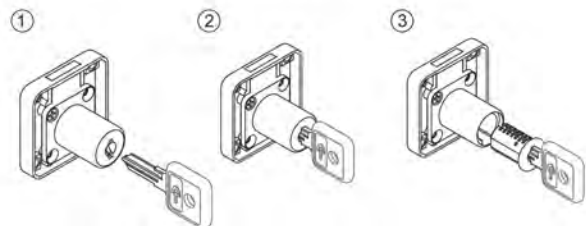


(lock must be in open position)

► 1 & 2 Install cylinder core with key inserted into the cylinder housing. (be sure to align the two diamond shaped objects on both the cylinder core and the cylinder housing)

► 3 Apply light pressure until cylinder core snaps into place.

► Removal of cylinder core



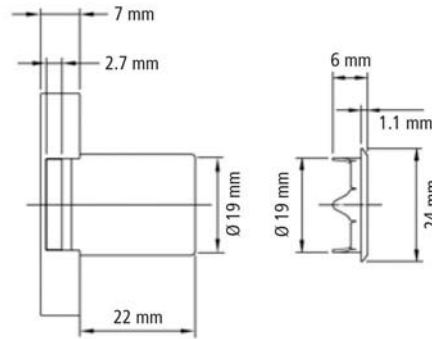
(lock must be in open position)

► 1 & 2 Insert removal key into cylinder core.

► 3 Remove cylinder core with removal key from cylinder housing.



Drawer Locks Round Housing

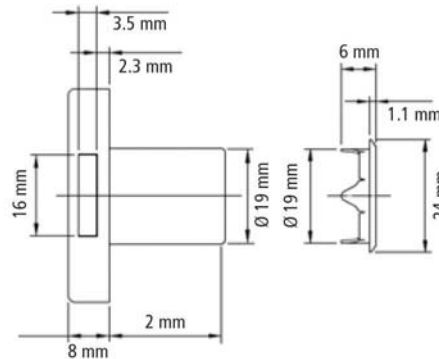


Features click action mechanism. Key can be removed in locked or unlocked position. Die cast zinc alloy construction. Includes lock housing, bezel and strike plate. Requires 3/4" drill hole for installation. Measures 1-5/8" dia. x 1/8" thick. 25 per case.

Note: Must order keys and cores separately.

Product Code	Finish	List	Each	Case
74-71-126	Nickel	\$3.68	\$2.21	\$2.05
74-71-128	Brass	3.92	2.36	2.18
74-71-130	Black	3.76	2.26	2.09

Drawer Locks Square Housing



Features click action mechanism. Key can be removed in locked or unlocked position. Die cast zinc alloy construction. Includes lock housing, bezel and strike plate. Requires 3/4" drill hole for installation. Measures 1-5/8" W x 1-5/8" H x 3/8" thick. 25 per case.

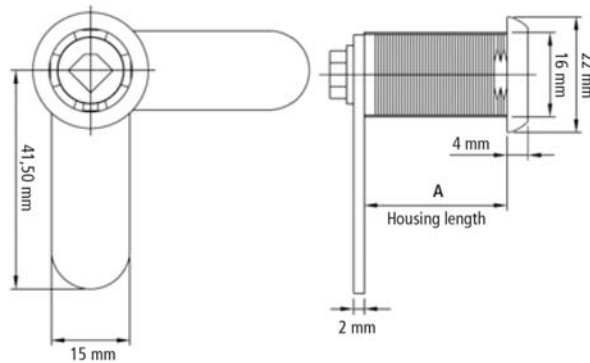
Note: Must order keys and cores separately.

Product Code	Finish	List	Each	Case
74-71-104	Nickel	\$3.68	\$2.21	\$2.05
74-71-106	Brass	3.92	2.36	2.18
74-71-108	Black	3.86	2.32	2.15



U.S. Futaba, Inc.

Drawer Locks Cam Housing



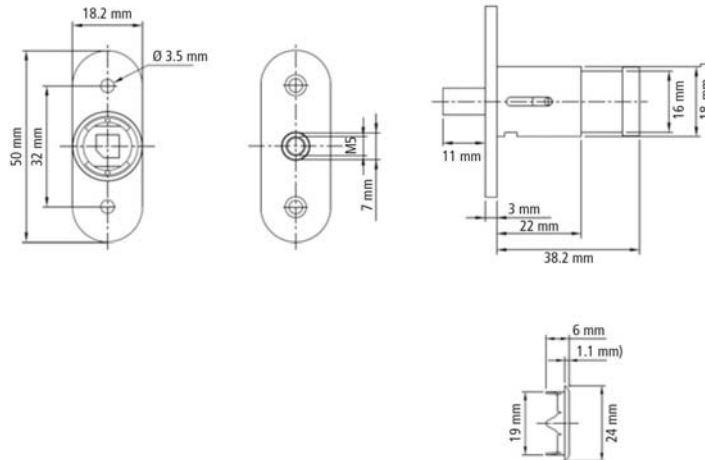
Features 30mm long cylinder housing, two-way lock and 90° convertible rotary cam movement. Includes lock housing, straight and offset cams, mounting screw, washer and steel nut. Key can be removed in locked or unlocked position. Die cast zinc alloy construction. Requires 3/4" drill hole for installation. 25 per case.

Note: Must order keys and cores separately.

Product Code	Finish	List	Each	Case
74-71-120	Nickel	\$3.74	\$2.24	\$2.08
74-71-122	Brass	3.86	2.32	2.15
74-71-124	Black	4.02	2.42	2.24
74-71-182	Nickel	4.08	2.48	2.31
74-71-184	Nickel	4.70	2.74	2.57
74-71-185*	Nickel	3.54	2.13	1.98
74-71-187	Nickel	2.24	1.35	1.25

* Back install.

Drawer Locks Push-In



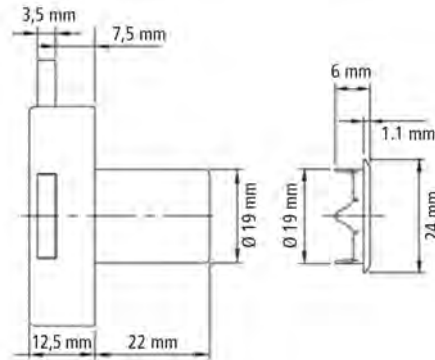
Features M5 internal thread locking pin. Does not require key when locking. Includes lock housing and bezel. Key can be removed in locked or unlocked position. Die cast zinc alloy construction. Requires 3/4" drill hole for installation. Measures 2" H x 3/4" W x 1-1/2" D. 25 per case.

Note: Must order keys and cores separately.

Product Code	Finish	List	Each	Case
74-71-114	Nickel	\$3.54	\$2.13	\$1.98
74-71-116	Brass	3.86	2.32	2.15
74-71-118	Black	3.68	2.21	2.05



Drawer Locks Double Bolt



For use in two-drawer and swing door cabinets. Features click action mechanism. Key can be removed in locked or unlocked position. Die cast zinc alloy construction. Includes lock housing, (2) screws, bezel, L-bracket and strike plate. Requires 3/4" drill hole for installation. Measures 1-5/8" W x 1-5/8" H x 1/2" thick. 20 per case.

Note: Must order keys and cores separately.

Product Code	Finish	List	Each	Case
74-71-152	Nickel	\$6.46	\$3.88	\$3.59
74-71-154	Brass	6.78	4.07	3.77
74-71-156	Black	6.58	3.96	3.66



Side Mount

Gang Locks

Includes lock housing, cylinder core, (2) keys, set screws, bezel, 23-5/8" aluminum bar and (2) bar guides. Key can be removed in locked or unlocked position. Die cast zinc alloy construction with nickel finish. Requires 3/4" drill hole for installation. 50 per case.

Front Mount. Features 180° rotary lifting pin movement.

Product Code	Description	Application	List	Each	Case
74-71-110	Side mount	Desk drawer	\$11.52	\$6.92	\$6.40
74-71-112	Front mount	Multiple drawers	11.84	7.11	6.58



Front Mount



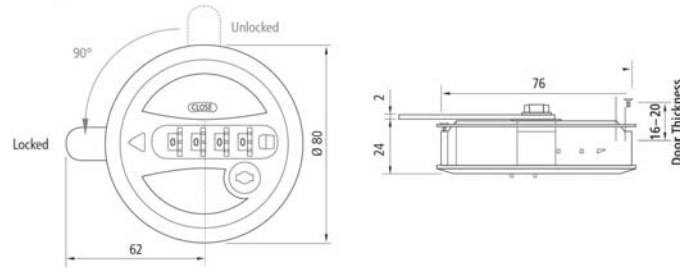
Keys & Cores

Product Code	Description	Color	Case Qty.	List	Each	Case
74-71-100	M1 master key	Blue	100	\$2.42	\$1.46	\$1.35
74-71-102	M1 core removal key	Red	100	2.42	1.46	1.35
74-71-158	M1 core and mixed key (0001-1000)	Nickel	50	3.76	2.26	2.09
74-71-160	M1 core and 2 keys (0001)	Nickel	50	3.76	2.26	2.09
74-71-162	M1 core and 2 keys (0001)	Brass	50	4.06	2.44	2.26
74-71-164	M1 core and 2 keys (0001)	Black	50	3.92	2.36	2.18

Additional key numbers available and in stock.

U.S. Futaba, Inc.

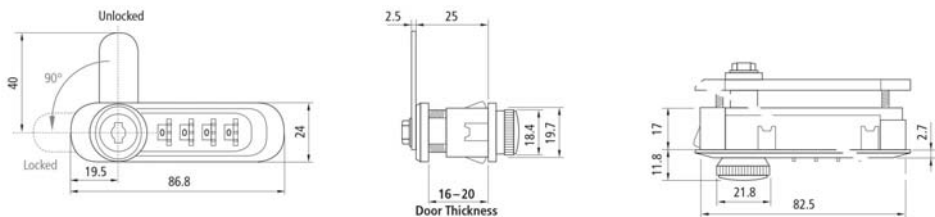
Combination Locks – 4 Digit – Round



10,000 possible combinations. Each lock comes with 2 modes: Public for multiple users, and Personal for single users. Features black plastic housing and metal inner workings. Suitable for thickness 16-20 mm.

Product Code	Description	Case Qty.	List	Each	Case
74-71-190	4 digit round lock	10	\$24.38	\$14.63	\$13.55

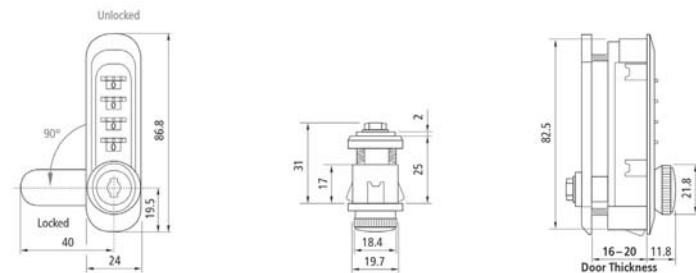
Combination Locks – 4 Digit – Horizontal



10,000 possible combinations. Each lock comes with 2 modes: Public for multiple users, and Personal for single users. Features black plastic housing and metal inner workings. Suitable for thickness 16-20 mm.

Product Code	Description	Case Qty.	List	Each	Case
74-71-191	4 digit horizontal lock	10	\$18.24	\$10.95	\$10.14

Combination Locks – 4 Digit – Vertical



10,000 possible combinations. Each lock comes with 2 modes: Public for multiple users, and Personal for single users. Features black plastic housing and metal inner workings. Suitable for thickness 16-20 mm.

Product Code	Description	Case Qty.	List	Each	Case
74-71-192	4 digit vertical lock	10	\$18.24	\$10.95	\$10.14

SALICE HINGE QUICK REFERENCE TO COMMON OVERLAY APPLICATIONS

Overlay: Frameless Cabinets Using 4mm (5/32") TAB Distance (K)

What is TAB (K) Distance?	Hinge Overlay Choices				★ Indicates preferred choice
	Full Overlay Hinge	1/2" Overlay Hinge	Half (3/8") Overlay Hinge	Inset Hinge	
Mounting Plate Thickness Choices ↓	"A"	"D"	"G"	"P"	Desired Overlay
0mm	3/4" Overlay 19mm	9/16" Overlay 14mm	★ 3/8" Overlay 10mm		
2mm	11/16" Overlay 17mm	1/2" Overlay 12.5mm	★ 5/16" Overlay 8mm	Inset Door Plus Adjustment	
3mm	5/8" Overlay 16mm	7/16" Overlay 11mm	★ 9/32" Overlay 7mm (Plus Adjustment)	★ Inset Door	
6mm	★ 1/2" Overlay 12.5mm	5/16" Overlay 8mm	5/32" Overlay 4mm		
9mm	3/8" Overlay 10mm	3/16" Overlay 5mm (Plus Adjustment)	Inset Door Plus Adjustment		
12mm	1/4" Overlay 6mm	3/32" Overlay 2mm (Plus Adjustment)	Inset Door		
18mm	Inset Door Plus Adjustment				

Overlay: Face Frame Cabinets Using 4mm (5/32") TAB Distance (K)

1" = 25.4mm Mounting Plate Thickness Choices ↓	Hinge Overlay Choices				★ Indicates preferred choice
	Full Overlay Hinge	1/2" Overlay Hinge	Half (3/8") Overlay Hinge	Inset Hinge	
1mm	3/4" Overlay 19mm	1/2" Overlay 12.5mm	★ 3/8" Overlay 10mm	For inset doors, on face frame cabinets, using a "P" style hinge, refer to the "SAP" mounting plate system chart. 	
4mm	9/16" Overlay 15mm	3/8" Overlay 10mm	1/4" Overlay 6mm		
BAL3R59		Inset Door (Use 3mm Tab)	★ Inset Door		
BAM3R09	1 1/4" Overlay 32mm (Use 6mm Tab (K))				

Remaining Steps To Complete Hinge & Mounting Plate Selection

1. Select the angle of opening of the hinge.	94 Degree	110 Degree	120 Degree	155 degree	165 Degree	Adjustment Range
2. Select the fixing method to attach the hinge to the door.	Screw-on	Press-in dowel	Rapido	Logica		
3. Select hinge closing style.	Self closing	Soft Closing "Silentia"	Self Opening "Push"	Free swinging		3/16" (4.5mm)
4. Select mounting plate grade:	Premium (2 cam adjustment)	Economy (1 cam adjustment)				 1/16" (1.5mm)
5. Select fixing method to attach the mounting plate to the cabinet.	Wood screw	Euro screw	Expanding dowel			
6. For "Silentia" hinges: Verify cup boring depth with customer:	Series 100 = 12mm	Series 200 = 15.5mm	Series 700 = 13.5mm			
7. For "Push" hinges: Select a release device style:	Mechanical release device	Magnetic release device				
Finding The Mounting Plate Thickness In The Part Number						
BAR3R09 = 0mm thick	BAR3R39 = 3mm thick	BAR3R99 = 9mm thick	BAR3RV9 = 18mm thick	BAU3R49 = 4mm thick		
BAR3R29 = 2mm thick	BAR3R69 = 6mm thick	BAR3RC9 = 12mm thick	BAU3R19 = 1mm thick	BAL3R59 = 5mm thick		

2.29.12

Please refer to Salice catalog for additional details for special applications.

Technical assistance
800.222.9652

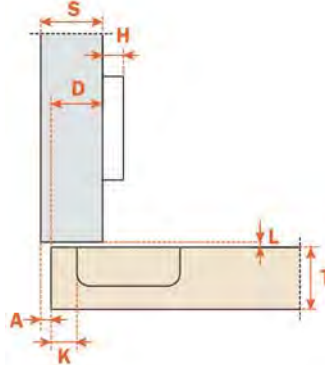
SALICE



Full Overlay

Hinges Series 200

For kitchen cabinets and furniture. Lifetime warranty. 300 per case.



How to calculate your overlay:

Full overlay hinge.

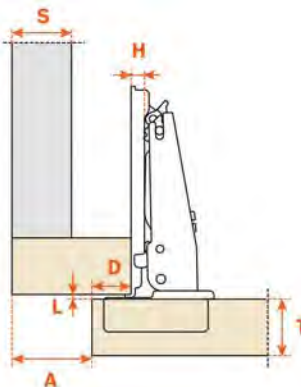
Crank "A".

$$D = (15 + K) - H$$

Product Code	Opening Angle	Hinge Type	Mount Type	Salice #	1-49	50-299	300+
Full Overlay (3/4")							
74-30-001	94°	Free-swinging	Screw-in	C2PAA99	\$1.49	\$1.29	\$1.21
74-30-011	94°	Free-swinging	Knock-in	C2RAA99	1.56	1.35	1.27
74-30-022	94°	Self-closing	Screw-in	C2PBA99	1.57	1.36	1.28
74-30-034	94°	Self-closing	Knock-in	C2RBA99	1.64	1.42	1.34
74-30-046	94°	Self-closing	Rapido	C27BA99	1.87	1.62	1.52
74-30-004	110°	Free-swinging	Screw-in	C2P4A99	1.44	1.25	1.17
74-30-013	110°	Free-swinging	Knock-in	C2R4A99	1.52	1.31	1.23
74-30-020	110°	Free-swinging	Rapido	C274A99	1.74	1.51	1.42
74-30-025	110°	Self-closing	Screw-in	C2P6A99	1.08	0.94	0.88
74-30-037	110°	Self-closing	Knock-in	C2R6A99	1.05	0.91	0.86
74-30-049	110°	Self-closing	Rapido	C276A99	1.29	1.12	1.05
74-30-056	110°	Self-closing	Logica	C2J6A99	1.50	1.30	1.22



1/2" Overlay



1/2" overlay face frame hinge.

Crank "D".

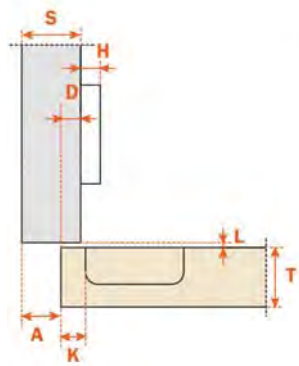
$$D = (10 + K) - H$$

Product Code	Opening Angle	Hinge Type	Mount Type	Salice #	1-49	50-299	300+
1/2" Overlay							
74-30-058	110°	Self-closing	Screw-in	C2P6D99	\$1.10	\$0.95	\$0.89
74-30-067	110°	Self-closing	Knock-in	C2R6D99	1.15	1.00	0.94
74-30-076	110°	Self-closing	Rapido	C276D99	1.31	1.14	1.07
74-30-083	110°	Self-closing	Logica	C2J6D99	1.52	1.32	1.24

SALICE



Half Overlay



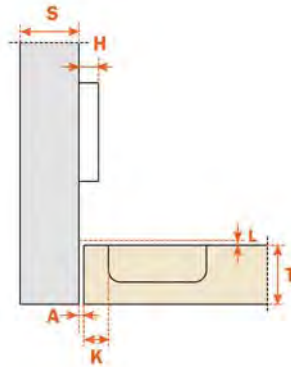
Half overlay hinge.
Crank "G".

$$D = (6 + K) - H$$

Product Code	Opening Angle	Hinge Type	Mount Type	Salice #	1-49	50-299	300+
Half Overlay (3/8")							
74-30-097	94°	Free-swinging	Knock-in	C2RAG99	\$1.63	\$1.41	\$1.32
74-30-109	94°	Self-closing	Screw-in	C2PBG99	1.63	1.42	1.33
74-30-121	94°	Self-closing	Knock-in	C2RBG99	1.71	1.48	1.39
74-30-132	94°	Self-closing	Rapido	C27BG99	1.93	1.68	1.57
74-30-088	110°	Free-swinging	Screw-in	C2P4G99	1.51	1.31	1.22
74-30-100	110°	Free-swinging	Knock-in	C2R4G99	1.58	1.37	1.28
74-30-112	110°	Self-closing	Screw-in	C2P6G99	1.12	0.97	0.91
74-30-124	110°	Self-closing	Knock-in	C2R6G99	1.18	1.02	0.96
74-30-133	110°	Self-closing	Rapido	C276G99	1.34	1.16	1.09
74-30-140	110°	Self-closing	Logica	C2J6G99	1.55	1.34	1.26



Inset

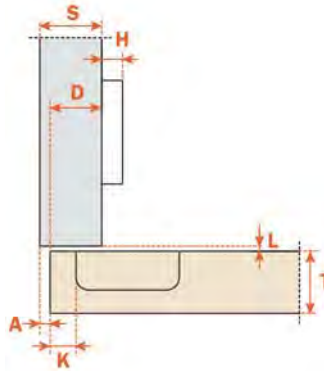


Inset door hinge.
Crank "P".

$$H = (-2 + K) + A$$

Product Code	Opening Angle	Hinge Type	Mount Type	Salice #	1-49	50-299	300+
Inset							
74-30-142	94°	Free-swinging	Screw-in	C2PAP99	\$1.62	\$1.40	\$1.31
74-30-148	94°	Free-swinging	Knock-in	C2RAP99	1.69	1.47	1.37
74-30-154	94°	Self-closing	Screw-in	C2PBP99	1.70	1.47	1.38
74-30-160	94°	Self-closing	Knock-in	C2RBP99	1.77	1.53	1.44
74-30-165	94°	Self-closing	Rapido	C27BP99	2.00	1.73	1.62
74-30-141	94°	Self-closing	Logica	C2JBP99	2.29	1.99	1.86
74-30-143	110°	Free-swinging	Screw-in	C2P4P99	1.59	1.37	1.29
74-30-149	110°	Free-swinging	Knock-in	C2R4P99	1.66	1.44	1.35
74-30-155	110°	Self-closing	Screw-in	C2P6P99	1.18	1.02	0.96
74-30-159	110°	Self-closing	Logica	C2J6P99	1.61	1.39	1.31
74-30-161	110°	Self-closing	Knock-In	C2R6P99	1.23	1.07	1.00
74-30-162	110°	Self-closing	Rapido	C276P99	1.40	1.21	1.13

SALICE



How to calculate your overlay:

Full overlay hinge.

Crank "A".

$$D = (15 + K) - H$$

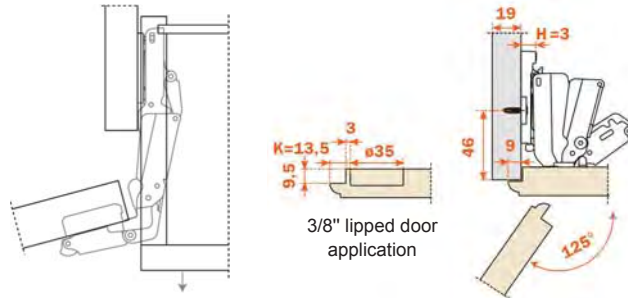
Product Code	Opening Angle	Hinge Type	Mount Type	Salice #	1-49	50-299	300+
Full Overlay (3/4")							
74-30-007	120°	Free-swinging	Screw-in	C2P8A99	\$1.59	\$1.38	\$1.29
74-30-016	120°	Free-swinging	Knock-in	C2R8A99	1.67	1.44	1.35
74-30-028	120°	Self-closing	Screw-in	C2P9A99	1.19	1.03	0.96
74-30-040	120°	Self-closing	Knock-in	C2R9A99	1.15	1.00	0.94
74-30-052	120°	Self-closing	Rapido	C279A99	1.40	1.21	1.14
74-30-054	120°	Self-closing	Logica	C2J9A99	1.61	1.40	1.31
1/2" Overlay							
74-30-061	120°	Self-closing	Screw-in	C2P9D99	1.21	1.05	0.98
74-30-070	120°	Self-closing	Knock-in	C2R9D99	1.26	1.09	1.02
74-30-079	120°	Self-closing	Rapido	C279D99	1.42	1.23	1.16
74-30-081	120°	Self-closing	Logica	C2J9D99	1.63	1.41	1.33
Half Overlay (3/8")							
74-30-091	120°	Free-swinging	Screw-in	C2P8G99	1.66	1.44	1.35
74-30-103	120°	Free-swinging	Knock-in	C2R8G99	1.73	1.50	1.41
74-30-115	120°	Self-closing	Screw-in	C2P9G99	1.23	1.07	1.00
74-30-127	120°	Self-closing	Knock-in	C2R9G99	1.28	1.11	1.04
74-30-136	120°	Self-closing	Rapido	C279G99	1.45	1.25	1.18
74-30-137	120°	Self-closing	Logica	C2J9G99	1.66	1.44	1.35

**We are continually
adding new products.
Call us with your
inquiries.**

SALICE



165° Hinges Series 200



165° opening angle. For kitchen cabinets and furniture. Lifetime warranty. 100 per case.

Product Code	Hinge Type	Mount Type	Salice #	1-49	50-99	100+
Full Overlay						
74-30-010	Free-swinging	Screw-in	C2PEA99	\$3.12	\$2.70	\$2.54
74-30-019	Free-swinging	Knock-in	C2REA99	3.18	2.76	2.59
74-30-021	Free-swinging	Rapido				
74-30-031	Self-closing	Screw-in	C2PFA99	3.27	2.83	2.66
74-30-043	Self-closing	Knock-in	C2RFA99	3.33	2.89	2.71
74-30-055	Self-closing	Rapido	C27FA99	3.56	3.08	2.89
74-30-057	Self-closing	Logica	C2JFA99	4.96	4.30	4.03
1/2" Overlay						
74-30-064	Self-closing	Screw-in	C2PFD99	3.39	2.93	2.75
74-30-073	Self-closing	Knock-in	C2RFD99	3.45	2.99	2.80
74-30-082	Self-closing	Rapido	C27FD99	3.67	3.18	2.99
74-30-084	Self-closing	Logica	C2JFD99	5.08	4.40	4.13
Half Overlay						
74-30-094	Free-swinging	Screw-in	C2PEG99	3.35	2.90	2.72
74-30-106	Free-swinging	Knock-in	C2REG99	3.41	2.96	2.77
74-30-118	Self-closing	Screw-in	C2PFG99	3.50	3.03	2.84
74-30-130	Self-closing	Knock-in	C2RFG99	3.56	3.09	2.89
74-30-138	Self-closing	Logica	C2JFG99	5.19	4.50	4.22
74-30-139	Self-closing	Rapido	C27FG99	3.78	3.28	3.08
Inset						
74-30-145	Free-swinging	Screw-in	C2PEP99	4.28	3.71	3.48
74-30-151	Free-swinging	Knock-in	C2REP99	4.35	3.77	3.53
74-30-157	Self-closing	Screw-in	C2PFP99	4.43	3.84	3.60
74-30-163	Self-closing	Knock-in	C2RFP99	3.56	3.09	2.89
74-30-164	Self-closing	Rapido	C27FP99	4.72	4.09	3.83
74-30-158	Self-closing	Logica	C2JFP99	6.13	5.31	4.98

155° Hinges Series 200 – Zero Protrusion



155° opening angle. For kitchen cabinets and furniture. Lifetime warranty. 100 per case.

Product Code	Hinge Type	Mount Type	Salice #	1-49	50-99	100+
Full Overlay						
74-30-328	Self-closing	Screw-in	C2PMA99	\$4.08	\$3.54	\$3.32
74-30-329	Self-closing	Knock-in	C2RMA99	4.16	3.61	3.38

SALICE

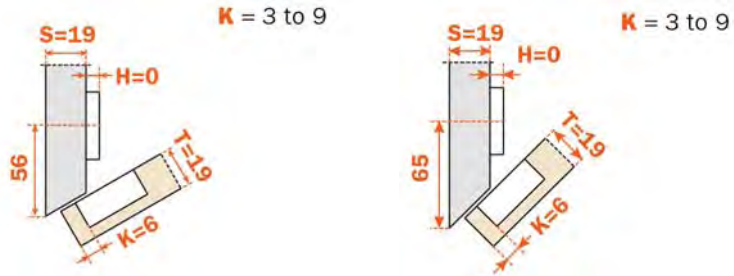


-30°



-45°

Negative Angle Hinges Series 200



For kitchen cabinets and furniture. Self-closing. Lifetime warranty. 150 per case.

Product Code	Opening Angle*	Mount Type	Salice #	1-49	50-149	150+
74-30-211	-30°	Screw-in	C2PBW99	\$2.66	\$2.30	\$2.16
74-30-214	-30°	Knock-in	C2RBW99	2.78	2.41	2.26
74-30-217	-30°	Rapido	C27BW99	2.96	2.56	2.40
74-30-220	-45°	Screw-in	C2PBH99	2.66	2.30	2.16
74-30-223	-45°	Knock-in	C2RBH99	2.78	2.41	2.26
74-30-226	-45°	Rapido	C27BH99	2.96	2.56	2.40

* When used with 0mm mounting plate.

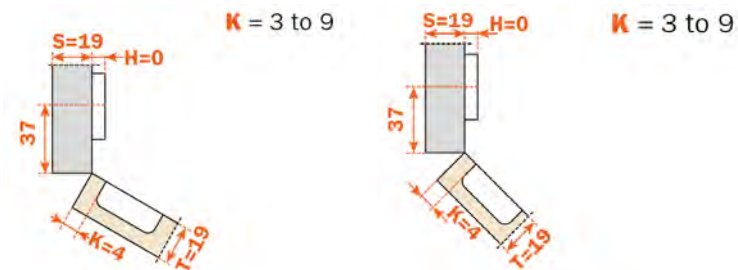


+30°



+45°

Corner Hinges Series 200



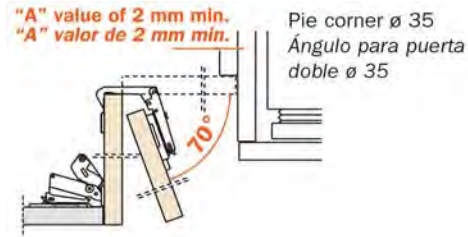
For kitchen cabinets and furniture. Self-closing. Lifetime warranty. 150 per case.

Product Code	Hinge Type	Mount Type	Salice #	1-49	50-149	150+
74-30-184	Corner hinge +30°	Screw-in	C2PBE99	\$2.66	\$2.30	\$2.16
74-30-187	Corner hinge +30°	Knock-in	C2RBE99	2.78	2.41	2.26
74-30-296	Corner hinge +30°	Rapido	C277E99	2.96	2.56	2.40
74-30-190	Corner hinge +45°	Screw-in	C2PBM99AC	2.66	2.30	2.16
74-30-193	Corner hinge +45°	Knock-in	C2RBM99AC	2.78	2.41	2.26
74-30-297	Corner hinge +45°	Rapido	C27BM99AC	2.96	2.56	2.40

SALICE



Pie Corner Hinges
Series 200



Product Code	Hinge Type	Mount Type	Salice #	1-49	50-149	150+
74-30-202	Pie corner hinge	Screw-in	C2PYA99	\$4.06	\$3.52	\$3.30
74-30-205	Pie corner hinge	Knock-in	C2RYA99	4.18	3.62	3.40
74-30-208	Pie corner hinge	Rapido	C2TYA99	4.36	3.78	3.54

Pie Corner hinge installation: Selecting & positioning the mounting plate
Instalación bisagra ángulo para puerta doble: selección y posición de la base

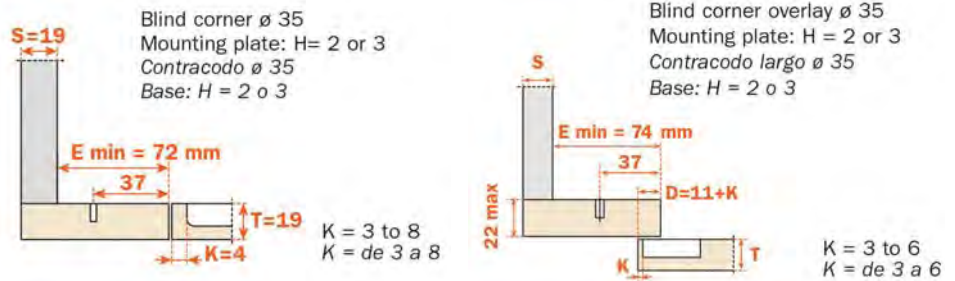
If Door thickness is: Esesor de la puerta:	Use mounting plate height Altura de la base (H)	Mounting plate location Door edge to screw center Distancia de taladro para base en cruz (B)	Door edge to hinge cup edge bore distance Distancia de taladro (K)
16 mm (5/8") (T)	6 mm	31 mm (1-1/4")	4 mm
19 mm (3/4")	2 mm or 3 mm	28 mm (1-1/8")	4 mm
22 mm (7/8")	0 mm	25 mm (1")	4mm

165° hinges - pie cut hinges
105° hinges - pie cut hinges



Blind Corner

Blind Corner Hinges
Series 200



Blind Corner Overlay

For kitchen cabinets and furniture. Self-closing. Lifetime warranty. 150 per case.

Product Code	Mount Type	Salice #	1-49	50-149	150+
Blind Corner					
74-30-196	Screw-in	C2PBN99AC	\$2.66	\$2.30	\$2.16
74-30-199	Knock-in	C2R7N99AC	2.78	2.41	2.26
Blind Corner Overlay					
74-30-273	Screw-in	C2P6N99AM	2.66	2.30	2.16
74-30-274	Knock-in	C2R6N99AM	2.78	2.41	2.26

D

Hinges & Mounting Plates

SALICE

Thick Door Hinges



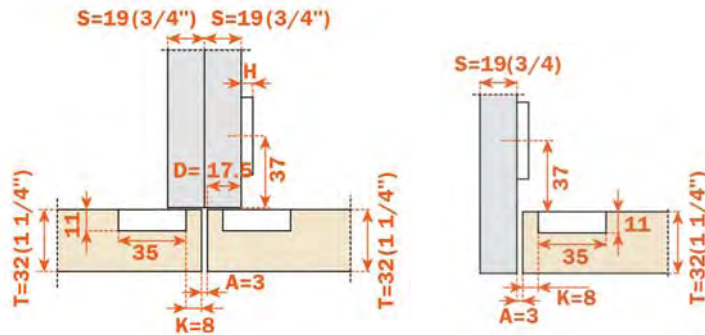
Full Overlay



Half Overlay



Inset



For doors up to 1-1/2" thick. Side adjustment -0.5mm, +5.5mm. Screw mounted. 40mm cup. Lifetime warranty. 300 per case.

Product Code	Opening Angle	Hinge Type	Salice #	1-49	50-299	300+
Full Overlay						
74-30-166	94°	Free-swinging	CFA5A99	\$2.76	\$2.40	\$2.25
74-30-168	94°	Self-closing	C2RBA99	1.64	1.42	1.34
74-30-169	94°	Self-closing	CFA7A99	2.85	2.47	2.32
74-30-350	155°	Self-closing	C2RDA99	5.52	4.79	4.49
Half Overlay						
74-30-172	94°	Free-swinging	CFA5G99	2.89	2.50	2.35
74-30-175	94°	Self-closing	CFA7G99	2.98	2.58	2.42
74-30-352	155°	Self-closing	C2RDD99	5.67	4.92	4.61
74-30-354	155°	Self-closing	C2RDG99	5.81	5.04	4.72
Inset						
74-30-178	94°	Free-swinging	CFA5P99	3.06	2.66	2.49
74-30-181	94°	Self-closing	CFA7P99	3.15	2.73	2.56

Concealed Hinges

110° Opening – B Series



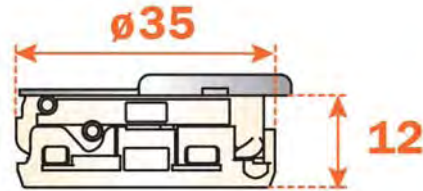
For use on 3/8" lipped doors and mitered 45° doors. 150 per case.

Product Code	Drilling Distance Range (K)	Salice #	1-49	50-149	150+
74-30-330	3mm to 18mm	CBP2A99	\$7.22	\$6.26	\$5.87

SALICE



Concealed Hinges 105° Opening – Silentia Soft Close – 100 Series



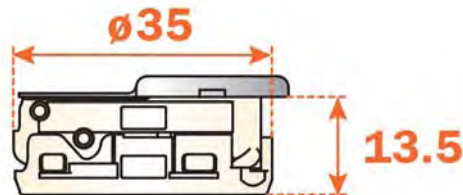
Features integrated decelerating closing action, independent vertical, horizontal and depth adjustments, and 12mm cup depth. Lifetime warranty. 300 per case

Product Code	Mounting Type	Salice #	1-49	50-299	300+
Full Overlay					
74-30-450	Dowel	C1R6AD9	\$2.35	\$2.04	\$1.91
74-30-460	Rapido	C176AD9	2.50	2.16	2.03
1/2" Overlay					
74-30-451	Dowel	C1R6DD9	2.38	2.06	1.93
74-30-461	Rapido	C176DD9	2.52	2.18	2.05
Half Overlay					
74-30-452	Dowel	C1R6GD9	2.41	2.09	1.96
74-30-462	Rapido	C176GD9	2.55	2.21	2.07
Inset					
74-30-453	Dowel	C1R6PD9	2.46	2.13	2.00
74-30-463	Rapido	C176PD9	2.60	2.25	2.11



Full Overlay

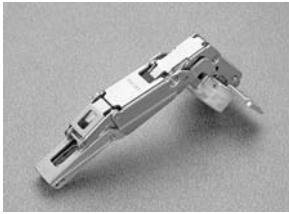
Concealed Hinges 110° Opening – Silentia Soft Close – 700 Series



Features integrated decelerating closing action, independent vertical, horizontal and depth adjustments, and 13.5mm cup depth. Nickel finish. Lifetime warranty. 300 per case.

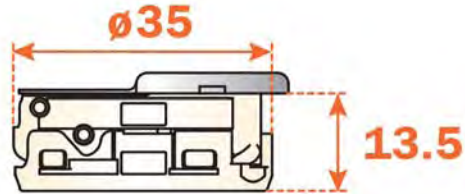
Product Code	Mounting Type	Salice #	1-49	50-299	300+
Full Overlay					
74-30-429	Screw-in	C7P6AD9	\$2.28	\$1.98	\$1.85
74-30-426	Rapido	C776AD9	2.55	2.21	2.07
74-30-421	Logica	C7J6AD9	2.81	2.44	2.29
1/2" Overlay					
74-30-418	Dowel	C7R6DD9	2.37	2.06	1.93
74-30-427	Rapido	C776DD9	2.58	2.23	2.09
74-30-422	Logica	C7J6DD9	2.84	2.46	2.31
Half Overlay					
74-30-419	Dowel	C7R6GD9	2.40	2.08	1.95
74-30-428	Rapido	C776GD9	2.61	2.26	2.12
74-30-423	Logica	C7J6GD9	2.87	2.49	2.33
Inset					
74-30-424	Logica	C7J6PD9	2.93	2.54	2.38

SALICE



Concealed Hinges

155° Degree Opening – Silentia Soft Close – 700 Series



Features decelerating closing action and independent vertical, horizontal and depth adjustments. Mounts with dowels. Nickel finish. Lifetime warranty. 13.5mm cup depth. 100 per case.

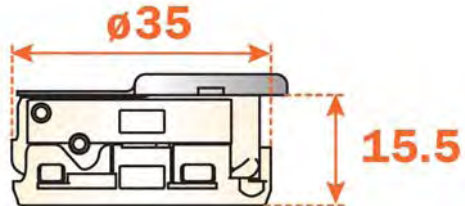
Product Code	Overlay	Salice #	1-49	50-99	100+
74-30-430	Full	C2RMAD9	\$6.48	\$5.62	\$5.27
74-30-431	1/2"	C2RMDD9	6.71	5.81	5.45
74-30-432	Half	C2RMGD9	6.85	5.93	5.56



Full Overlay

Concealed Hinges

Thick Door – Silentia Soft Close – 700 Series



Features decelerating closing action, independent vertical, horizontal and depth adjustments, and 15.5mm cup depth. For use with doors up to 1-1/4" thick. Mounts with dowels. Nickel finish. Lifetime warranty. 150 per case.

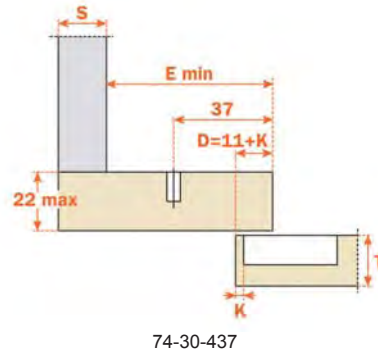
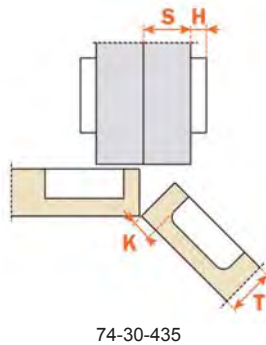
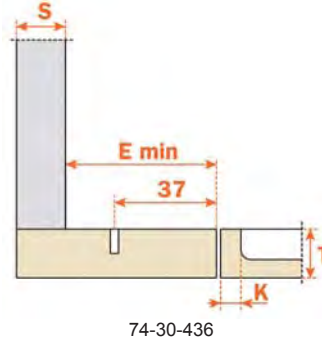
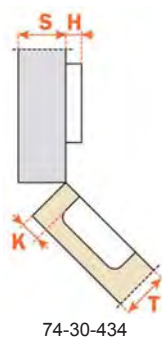
Product Code	Opening Angle	Case Qty.	Salice #	1-49	50-149	150+
Full Overlay						
74-30-438	94°	300	C2RBAD9	\$2.68	\$2.32	\$2.18
74-30-441	155°	100	C2RDAD9	7.92	6.87	6.44
Half Overlay						
74-30-439	94°	300	C2RBGD9	2.74	2.38	2.23
74-30-443	155°	100	C2RDDD9	8.21	7.11	6.67
Inset						
74-30-440	94°	300	C2RBPD9	2.85	2.47	2.32

SALICE

Concealed Hinges Angle Hinges – Silentia Soft Close



Blind Corner



Features decelerating closing action, independent vertical, horizontal and depth adjustments, and 13.5mm cup depth. Mounts with dowels. Nickel finish. Lifetime warranty. 150 per case.

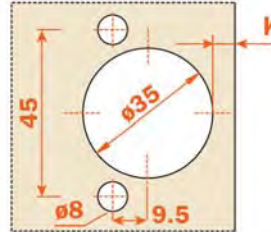
Product Code	Description	Salice #	1-49	50-149	150+
Inset					
74-30-434	45° Corner	C7R6MD9	\$4.09	\$3.55	\$3.32
74-30-436	Blind corner	C7R6ND9AC	4.09	3.55	3.32
Overlay					
74-30-435	45° Corner	C7R6MD9AC	4.09	3.55	3.32
74-30-437	Blind corner	C7R6ND9AM	4.09	3.55	3.32

D

Hinges & Mounting Plates

SALICE

Push Hinges Self Opening Hinges



For use with all handle-free doors. Use with latches and catches on page 89.

Product Code	Opening Angle	Overlay	Mount Type	Salice #	1-49	50-299	300+
74-30-401	110	Full	Screw-In	C2PPA99	\$3.11	\$2.69	\$2.53
74-30-402	110	Full	Knock-In	C2RPA99	3.18	2.76	2.59
74-30-403	110	Half	Screw-In	C2PPG99	3.17	2.75	2.58
74-30-404	110	Half	Knock-In	C2RPG99	3.25	2.81	2.64
74-30-405	110	Inset	Screw-In	C2PPP99	4.58	3.97	3.73
74-30-406	110	Inset	Knock-In	C2RPP99	4.66	4.04	3.79
74-30-407	165	Full	Screw-In	C2P99	6.34	5.50	5.15
74-30-408	165	Full	Knock-In	C2R99	6.42	5.57	5.22
74-30-409	165	Half	Screw-In	C2PSG99	6.63	5.75	5.39
74-30-410	165	Half	Knock-In	C2RSG99	6.71	5.81	5.45
74-30-411	165	Inset	Screw-In	C2PSP99	7.80	6.76	6.34
74-30-412	165	Inset	Knock-In	C2RSP99	7.88	6.83	6.40

SALICE

Push System Latches & Catches

Features self-opening design. For use with push hinges for handle-free doors. 100 per case.



76-71-201



76-71-203



76-71-205



76-71-207



76-71-209



76-71-211



76-71-215



76-71-215 Plate



76-71-217

Product Code	Description	Color	Salice #	Each	Case
76-71-201	Single latch fixed	Beige	DP3SNBR	\$3.85	\$3.57
76-71-202	Single latch fixed	Black	DP3SN3R	3.85	3.57
76-71-203	Single latch adjustable	Beige	DP4SNB	4.73	4.39
76-71-204	Single latch adjustable	Black	DP4SN3	4.73	4.39
76-71-205	Double latch adjustable	Beige	DP5SNB	9.23	8.57
76-71-206	Double latch adjustable	Black	DP5SN3	9.23	8.57
76-71-207	Catch Knock-in	Beige	DP29SNB	0.27	0.25
76-71-208	Catch Knock-in	Black	DP29SN3	0.27	0.25
76-71-209	Catch Surface mount	Beige	DP29SNBR	0.82	0.76
76-71-210	Catch Surface mount	Black	DP29SN3R	0.82	0.76

Accessories

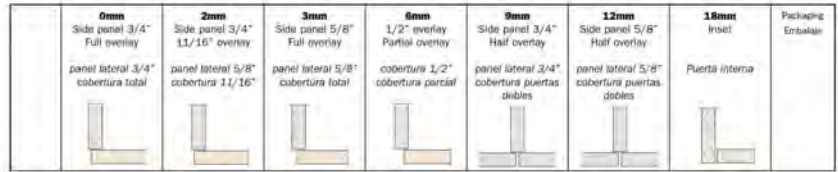
Product Code	Description	Salice #	1-99	100+
76-71-211	Push alignment tool	DP50SNO	\$0.27	\$0.25
76-71-215	Magnetic catch with screw-in plate	DPMB289	5.23	4.86
76-71-217	Single magnetic adapter	DP84SNBR	0.73	0.68

SALICE

Hinge Mounting Plates Inline Cam-Adjustment – Domi® – 2 Cams

Based on using full overlay hinges.

Utilizando bisagras para puertas externas



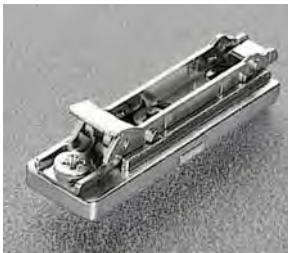
Screw-In



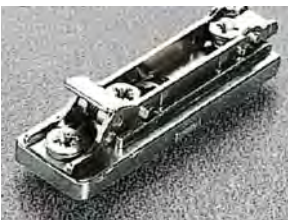
Pre-Mounted Euro Screws



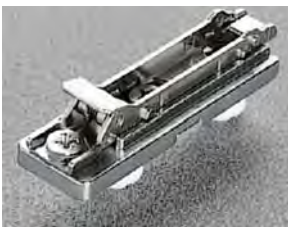
5mm Expansion Dowels



Screw-In



Pre-Mounted Euro Screws



Knock-In

Turning front adjustment cam or vertical adjustment cam automatically positions hinge. 32mm hole spacing. 37mm hole center to edge. Die-cast construction. Lifetime warranty. 300 per case.

Product Code	Height mm	Salice #	1-49	50-299	300+
Screw-In					
74-40-203	0	BAR3R09	\$0.73	\$0.63	\$0.59
74-40-181	2	BAR3R29	0.75	0.65	0.61
74-40-182	3	BAR3R39	0.77	0.67	0.63
74-40-183	6	BAR3R69	0.89	0.77	0.72
74-40-206	9	BAR3R99	1.17	1.01	0.95
74-40-207	12	BAR3RC9	1.27	1.10	1.03
74-40-212	18	BAR3RV9	2.03	1.76	1.65
Pre-Mounted Euro Screws					
74-40-204	0	BARGR09/16	0.80	0.69	0.65
74-40-196	2	BARGR29/16	0.83	0.72	0.67
74-40-197	3	BARGR39/16	0.85	0.73	0.69
74-40-198	6	BARGR69/16	0.96	0.83	0.78
74-40-208	9	BARGR99/16	1.24	1.08	1.01
74-40-209	12	BARGRC9/16	1.34	1.17	1.09
74-40-235	18	BARGRV9/16	2.10	1.82	1.71
5mm Expansion Dowels					
74-40-205	0	BAR4R09/16	0.81	0.70	0.66
74-40-178	2	BAR4R29/16	0.83	0.72	0.68
74-40-179	3	BAR4R39/16	0.85	0.74	0.69
74-40-180	6	BAR4R69/16	0.96	0.84	0.78

Hinge Mounting Plates – Inline Cam-Adjustment – Domi® – 2 Cams

Turning front or vertical adjustment cam automatically positions hinge. Die-cast construction. 32mm hole spacing; 21mm hole center to edge. Lifetime warranty. 300 per case.

Product Code	Height mm	Salice #	1-49	50-299	300+
Screw-In					
74-40-225	0	BAP3R09	\$0.77	\$0.67	\$0.63
74-40-226	2	BAP3R29	0.79	0.69	0.64
74-40-227	3	BAP3R39	0.82	0.71	0.67
74-40-228	6	BAP3R69	0.94	0.82	0.77
74-40-229	9	BAP3R99	1.13	0.98	0.92
74-40-230	12	BAP3RC9	1.24	1.08	1.01
Pre-Mounted Euro Screws					
74-40-186	0	BAPGR09/16	0.77	0.67	0.62
74-40-187	2	BAPGR29/16	0.79	0.68	0.64
74-40-188	3	BAPGR39/16	0.81	0.70	0.66
74-40-189	6	BAPGR69/16	0.94	0.81	0.76
10mm Knock-In Dowels					
74-40-191	3	BAP7R39	0.82	0.71	0.66
74-40-192	6	BAP7R69	0.94	0.81	0.76

SALICE



Hinge Mounting Plates

Cam-Adjustment – Domi® – 2 Cams

Turning front or vertical adjustment cam automatically positions hinge. 32mm hole spacing; 37mm hole center to edge. Steel construction. Lifetime warranty. 300 per case.

Product Code	Height mm	Salice #	1-49	50-299	300+
Screw-In – Requires #6x5/8" #2 Phillips Screws					
74-40-167	0	BAR3L09F	\$1.54	\$1.34	\$1.25
74-40-168	3	BAR3L39F	0.67	0.58	\$0.54
74-40-169	6	BAR3L69F	0.70	0.61	0.57
Pre-Mounted Euro Screws					
74-40-170	0	BARGL09F/16	0.73	0.63	0.59
74-40-171	3	BARGL39F/16	0.74	0.64	0.60
74-40-172	6	BARGL69F/16	0.77	0.67	0.63



Screw-In

Hinge Mounting Plates

Clip-On – Cam-Adjustment – Domi® – 1 Cam

Features eccentric cam for depth. 32mm hole spacing; 37mm hole center to edge. Lifetime warranty. 300 per case.

Product Code	Description	Height mm	Salice #	1-49	50-299	300+
Screw-In						
74-40-088	Steel	0	BAV3E09F	\$0.47	\$0.41	\$0.39
74-40-091	Steel	3	BAV3E39F	0.50	0.43	0.41
74-40-076	Die-Cast	6	BAV3E69F	1.17	1.01	0.95
74-40-079	Die-Cast	9	BAV3E99F	1.21	1.05	0.99
74-40-082	Die-Cast	12	BAV3EC9F	1.26	1.09	1.02
74-40-085	Die-Cast	18	BAV3EV9F	1.54	1.33	1.25
Pre-Mounted Euro Screws						
74-40-109	Steel	0	BAVGL09F/16	0.55	0.47	0.44
74-40-112	Steel	3	BAVGL39F/16	0.57	0.49	0.46
74-40-094	Die-Cast	0	BAVGE09F/16	0.94	0.81	0.76
74-40-097	Die-Cast	3	BAVGE39F/16	0.98	0.85	0.80
74-40-100	Die-Cast	6	BAVGE69F/16	1.25	1.09	1.02
74-40-103	Die-Cast	9	BAVGE99F/16	1.30	1.12	1.05
74-40-106	Die-Cast	12	BAVGEC9F/16	1.34	1.16	1.09
74-40-107	Die-Cast	18	BAVGEV9F/16	1.62	1.41	1.32
5mm Expansion Dowels						
74-40-163	Steel	0	BAV4L09F/16	0.55	0.47	0.44
74-40-166	Steel	3	BAV4L39F/16	0.57	0.49	0.46



Pre-Mounted Euro Screws



5mm Expansion Dowels



Screw-In

Steel Hinge Mounting Plates

Features eccentric cam for depth. 32mm hole spacing; 37mm hole center to edge. Lifetime warranty. 300 per case.

Product Code	Description	Height mm	Salice #	1-49	50-299	300+
Screw-In						
74-40-248	Steel	0	BAV3M09F	\$0.40	\$0.34	\$0.32
74-40-249	Steel	2	BAV3M29F	0.41	0.35	0.33
74-40-250	Steel	3	BAV3M39F	0.41	0.35	0.33
Pre-Mounted Euro Screws						
74-40-251	Steel	0	BAVGM09F/16	0.47	0.41	0.38
74-40-252	Steel	2	BAVGM29F/16	0.48	0.42	0.39
74-40-253	Steel	3	BAVGM39F/16	0.48	0.42	0.39



Pre-Mounted Euro Screws



74-40-115 & 74-40-118



74-40-119 & 74-40-120



74-40-193



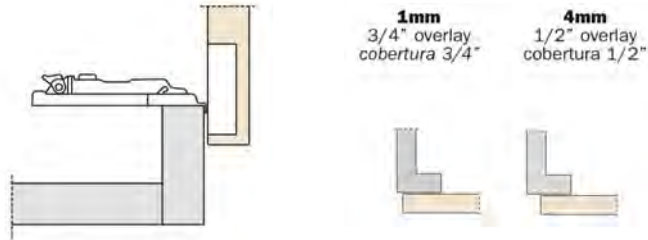
74-40-195



74-40-213

SALICE

Hinge Mounting Plates Face Frame – Cam-Adjustment

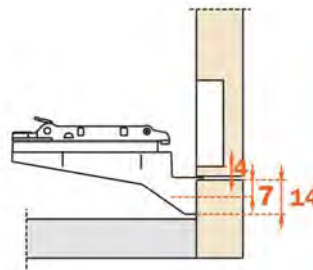


Screw-in mounting; requires #8 wood screws. 48mm hole spacing; 10mm hole center to edge. Lifetime warranty. 300 per case.

Nos. 74-40-193 & 74-40-194. Double-cam design allows vertical and depth adjustment.

Product Code	Description	Height mm	Salice #	1-49	50-299	300+
Single Cam						
74-40-115	Die-Cast	1	BAU3E19	\$1.03	\$0.89	\$0.84
74-40-118	Die-Cast	4	BAU3E49	1.07	0.93	0.87
74-40-119	Steel	1	BAU3L19	0.60	0.52	0.49
74-40-120	Steel	4	BAU3L49	0.64	0.56	0.52
Double Cam						
74-40-193	Die-Cast	1	BAU3R19	1.03	0.90	0.84
74-40-194	Die-Cast	4	BAU3R49	1.09	0.94	0.88

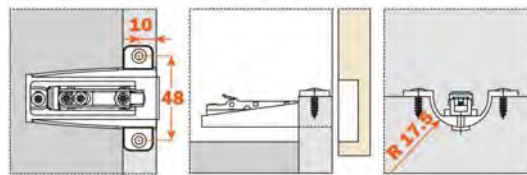
Hinge Mounting Plates Face Frame – Inset



Screw-in installation; requires #8 wood screws. Die-cast construction. Lifetime warranty. 300 per case.

Product Code	Hole Spacing mm	Height mm	Salice #	1-49	50-299	300+
74-40-195	32	7	BAL3R59	\$1.95	\$1.69	\$1.59

Hinge Mounting Plates Face Frame – Large Overlay



HINGE	OVERLAY	Drilling distance (K)
Full Overlay ("A" crank) 110° - 120° opening	1 - 1/4" overlay	K = 6 mm
Full Overlay ("A" crank) 94° - 165° opening	1 - 3/8" overlay	K = 8 mm + 400 g. min. cr. adjustment
Full Overlay ("A" crank) 165° + reduction clip S2AF37A3 = 125° opening	1 - 1/2" overlay	K = 12 mm
Full Overlay ("A" crank) 165° + reduction clip S2AF37A3 = 125° opening	1 - 9/16" overlay	K = 14 mm

Screw-in installation; requires #8 wood screws. Die-cast construction. Lifetime warranty. 300 per case.

Product Code	Salice #	1-49	50-299	300+
74-40-213	BAM3R09	\$1.94	\$1.68	\$1.57

SALICE



Screw-In



Pre-Mounted Euro Screws

Hinge Mounting Plates Slide-On

Features steel construction and 3-way adjustment. Lifetime warranty. 600 per case.
No. 74-40-019. Feature one-screw height adjustment.

Product Code	Height mm	Salice #	1-49	50-99	100+
Screw-In					
74-40-001	0	B2V3H09/15	\$0.18	\$0.16	\$0.15
74-40-004	3	B2V3H39/15	0.20	0.17	0.16
74-40-007	6	B2V3H69/15	0.24	0.21	0.19
74-40-010	9	B2V3H99/15	0.30	0.26	0.24
74-40-013*	12	B2V3BC9/15	0.98	0.85	0.79
74-40-015*	18	B2V3BV9/15	1.36	1.18	1.11
Pre-Mounted Euro Screws					
74-40-022	0	B2VGH09/17	0.27	0.23	0.22
74-40-025	3	B2VGH39/17	0.28	0.25	0.23
74-40-028	6	B2VGH69/17	0.33	0.28	0.27
74-40-034*	12	B2VGBC9/17	1.07	0.93	0.87
74-40-035*	18	B2VGBV9/17	1.45	1.26	1.18
Pre-Mounted Wood Screws					
74-40-019	3	B2V1H39	0.29	0.27	0.25

* Die-cast.



Screw-In



Pre-Mounted Euro Screws

Hinge Mounting Plates Slide-On – Cam-Adjustment

Height adjustment with cam for adjusting height. Screw-in attachment. 32mm hole spacing; 37mm hole center to edge. Die-cast construction. Lifetime warranty.

Product Code	Height mm	Case Qty.	Salice #	1-49	50-299	300+
Screw-In						
74-40-037	0	600	B2R3E09/15	\$0.55	\$0.48	\$0.45
74-40-040	3	600	B2R3E39/15	0.60	0.52	0.49
74-40-043	6	300	B2R3E69/15	0.75	0.65	0.61
74-40-046	9	300	B2R3E99/15	0.85	0.73	0.69
Pre-Mounted Euro Screws						
74-40-049	0	600	B2RGE09/17	0.63	0.55	0.51
74-40-052	3	600	B2RGE39/17	0.68	0.59	0.55
74-40-055	6	300	B2RGE69/17	0.83	0.72	0.67
74-40-058	9	300	B2RGE99/17	0.92	0.80	0.75



74-40-145



74-40-151



74-40-157

Hinge Mounting Plates Angle

Slide-on hinge mounting. Use with angled arm hinge for variety of angled door applications. 2-way adjustment. Screw-in design; requires #8 wood screws. Die-cast construction. Lifetime warranty. 50 per case.

Product Code	Adjustment Angle	Salice #	1-49	50+
74-40-145	+15°	B2V3BW9/15	\$1.00	\$0.86
74-40-151	-7.5° to 7.5° variable	B2V3BW9R/15	1.35	1.17
74-40-157	+10° to +30° variable	B2V3BW9S/15	1.81	1.57

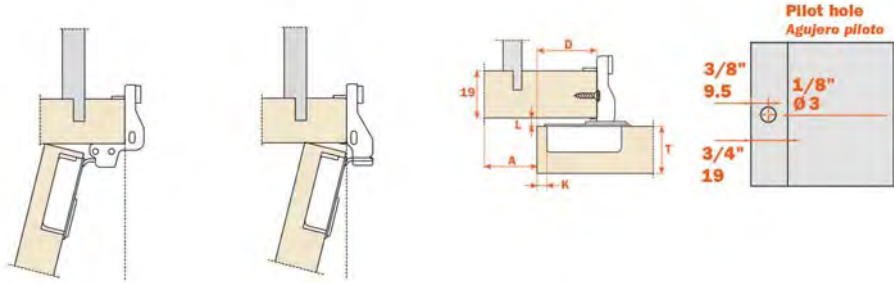
D

Hinges & Mounting Plates

SALICE ecentra



Face Frame Hinges Soft Close – Excentra – 2 Cam

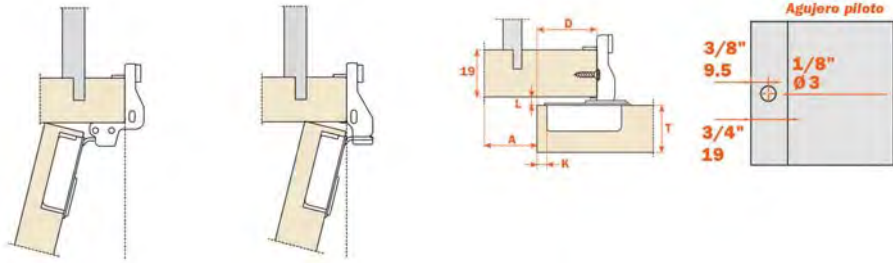


106° opening angle. Integrated soft close face frame hinge with activation switch. Cam adjustment for sided to side and depth. Stamped steel construction 11mm cup depth. Mounts with #10 screws. All hinges with 3/4" and greater overlay have zero door protrusion. Lifetime warranty. 300 per case. Nickel finish.

Product Code	Overlay	Mounting Type	Salice #	1-49	50-299	300+
74-30-600	1/2"	Screw-in	CUP37D9	\$2.40	\$2.08	\$1.95
74-30-601	1/2"	Knock-in	CUR37D9	2.45	2.12	1.99
74-30-602	9/16"	Screw-in	CUP36D9	2.40	2.08	1.95
74-30-603	9/16"	Knock-in	CUR36D9	2.45	2.12	1.99
74-30-604	5/8"	Screw-in	CUP35D9	2.40	2.08	1.95
74-30-605	5/8"	Knock-in	CUR35D9	2.45	2.12	1.99
Zero Door Protrusion						
74-30-606	3/4"	Screw-in	CUP34D9	2.40	2.08	1.95
74-30-607	3/4"	Knock-in	CUR34D9	2.45	2.12	1.99
74-30-608	1"	Screw-in	CUP32D9	2.40	2.08	1.95
74-30-609	1"	Knock-in	CUR32D9	2.45	2.12	1.99
74-30-610	1-1/4"	Screw-in	CUP3AD9	2.40	2.08	1.95
74-30-611	1-1/4"	Knock-in	CUR3AD9	2.45	2.12	1.99
74-30-612	1-5/16"	Screw-in	CUP3BD9	2.40	2.08	1.95
74-30-613	1-5/16"	Knock-in	CUR3BD9	2.45	2.12	1.99
74-30-614	1-3/8"	Screw-in	CUP3CD9	2.40	2.08	1.95
74-30-615	1-3/8"	Knock-in	CUR3CD9	2.45	2.12	1.99

**Phone or FAX
your order today!!**

Face Frame Hinges Series S – Excentra – 2 Cam



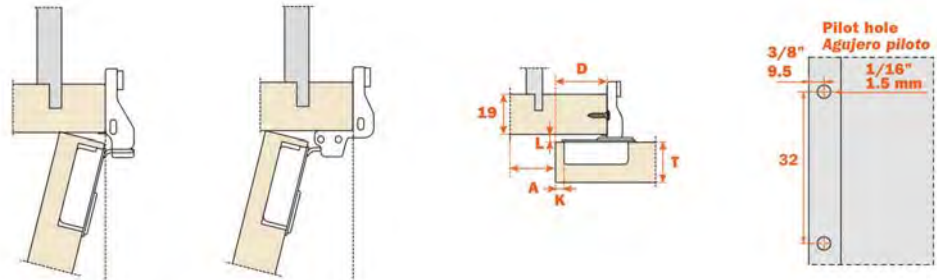
106° opening angle. Stamped steel construction. 11mm cup depth. Mounts with #10 screws. All hinges with 1/2" overlay and greater have zero door protrusion. Lifetime warranty. 300 per case. 0

Product Code	Overlay In.	Mount Type	Salice #	1-49	50-299	300+
74-30-259	1/4	Screw-in	CSP3Y99	\$1.32	\$1.15	\$1.08
74-30-260	1/4	Knock-in	CSR3Y99	1.37	1.19	1.11
74-30-261	5/16	Screw-in	CSP3Z99	1.32	1.15	1.08
74-30-262	5/16	Knock-in	CSR3Z99	1.37	1.19	1.11
74-30-263	3/8	Screw-in	CSP3999	1.32	1.15	1.08
74-30-264	3/8	Knock-in	CSR3999	1.37	1.19	1.11
74-30-265	7/16	Screw-in	CSP3899	1.32	1.15	1.08
74-30-266	7/16	Knock-in	CSR3899	1.37	1.19	1.11
Zero Door Protrusion						
74-30-251	1/2	Screw-in	CSP3799	0.99	0.86	0.80
74-30-252	1/2	Knock-in	CSR3799	1.03	0.89	0.84
74-30-267	9/16	Screw-in	CSP3699	1.31	1.14	1.07
74-30-268	9/16	Knock-in	CSR3699	1.36	1.18	1.10
74-30-269	5/8	Screw-in	CSP3599	1.10	0.95	0.89
74-30-270	5/8	Knock-in	CSR3599	1.14	0.99	0.93
74-30-253	3/4	Screw-in	CSP3499	1.10	0.95	0.89
74-30-254	3/4	Knock-in	CSR3499	1.14	0.99	0.93
74-30-283	1	Knock-in	CSR3299N	1.30	1.12	1.05
74-30-284	1-1/8	Screw-in	CSP3199N	1.25	1.08	1.02
74-30-285	1-1/8	Knock-in	CSR3199N	1.30	1.12	1.05
74-30-286	1-1/4	Screw-in	CSP3A99N	1.13	0.98	0.92
74-30-287	1-1/4	Knock-in	CSR3A99N	1.17	1.01	0.95
74-30-289	1-5/16	Knock-in	CSR3B99N	1.30	1.12	1.05
74-30-290	1-3/8	Screw-In	CSP3C99P	1.25	1.08	1.02
74-30-291	1-3/8	Knock-in	CSR3C99P	1.30	1.13	1.06
74-30-292	1-7/16	Screw-In	CSP3D99P	1.25	1.08	1.02
74-30-293	1-7/16	Knock-In	CSR3D99P	1.30	1.13	1.06

SALICE **ExcenThree**



Face Frame Hinges Series S – Soft Close – ExcenThree – 3 Cam

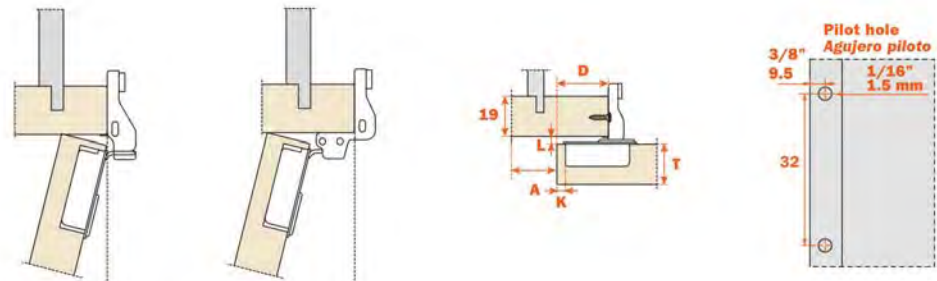


106° opening angle. Integrated soft close face frame hinge with activation switch. Cam adjustment for sided to side and depth. Stamped steel construction 11mm cup depth. Mounts with #10 screws. All hinges with 3/4" and greater overlay have zero door protrusion. Lifetime warranty. 300 per case. Nickel finish.

Product Code	Overlay In.	Mount Type	Salice #	1-49	50-299	300+
74-30-640	1/2	Screw-in	CUP37D9R	\$2.60	\$2.26	\$2.12
74-30-641	1/2	Knock-in	CUR37D9R	2.66	2.30	2.16
74-30-645	5/8	Knock-in	CUR35D9R	2.66	2.30	2.16
Zero Door Protrusion						
74-30-646	3/4	Screw-in	CUP34D9R	2.60	2.26	2.12
74-30-647	3/4	Knock-in	CUR34D9R	2.66	2.30	2.16
74-30-650	1-1/4	Screw-in	CUP3AD9R	2.60	2.26	2.12
74-30-651	1-1/4	Knock-in	CUR3AD9R	2.66	2.30	2.16
74-30-653	1-5/16	Knock-in	CUR3BD9R	2.66	2.30	2.16
74-30-654	1-3/8	Screw-in	CUP3CD9R	2.60	2.26	2.12
74-30-655	1-3/8	Knock-in	CUR3CD9R	2.66	2.30	2.16



Face Frame Hinges Series S – ExcenThree – 3 Cam



106° opening angle. Cam adjustment for sided to side and depth. Stamped steel construction 11mm cup depth. Mounts with #10 screws. All hinges with 3/4" and greater overlay have zero door protrusion. Lifetime warranty. 300 per case. Nickel finish.

Product Code	Overlay In.	Mount Type	Salice #	1-49	50-299	300+
74-30-306	1/2	Screw-in	CSP3799XR	\$1.18	\$1.03	\$0.96
74-30-307	1/2	Knock-in	CSR3799XR	1.22	1.06	0.99
74-30-309	9/16	Knock-in	CSR3699XR	1.36	1.18	1.10
74-30-310	5/8	Screw-in	CSP3599XR	1.31	1.14	1.07
74-30-311	5/8	Knock-in	CSR3599XR	1.36	1.18	1.10
74-30-312	3/4	Screw-in	CSP3499XR	1.31	1.14	1.07
74-30-313	3/4	Knock-in	CSR3499XR	1.36	1.18	1.10
74-30-326	1-1/4	Screw-in	CSP3A99NR	1.47	1.27	1.19
74-30-327	1-1/4	Knock-in	CSR3A99NR	1.51	1.31	1.23
74-30-321	1-5/16	Knock-in	CSR3B99XR	1.51	1.31	1.23
74-30-323	1-3/8	Knock-in	CSR3C99NR	1.51	1.31	1.23
74-30-324	1-7/16	Screw-in	CSP3D99NR	1.47	1.27	1.19
74-30-325	1-7/16	Knock-in	CSR3D99NR	1.51	1.31	1.23

SALICE



Smove Soft Closing System

Smove Holder

32mm hole spacing. Screw-in design; requires wood screws. Lifetime warranty. 500 per case.

Product Code	Description	Salice #	1-49	50-149	150+
76-71-125	For use with normal doors with 2-3 hinges	D0SHSNG	\$2.42	\$2.24	\$2.09
76-71-126	For use with heavy doors with 3+ hinges	D0S8SNG	2.42	2.24	2.09
76-71-127	For use with very heavy doors with multiple hinges	D0S9SNG	2.42	2.24	2.09



Adapter Plates

Only to be used with the cruciform mounting plates 37 x 32 mm. For use with mounting plates to be fixed with euro screw or woodscrew, use a screw with an 8mm head and 16mm length.

Product Code	Description	Mounting Plate Material	Salice #	1-49	50-149	150+
76-71-128	For use with Full Overlay hinges	Steel	D2VX09	\$0.47	\$0.43	\$0.41
76-71-129	For use with Full Overlay hinges	Die-Cast	DARX09	0.47	0.43	0.41
76-71-130	For use with 1/2" Overlay hinges	Steel	D2VX59	0.66	0.61	0.57
76-71-131	For use with 1/2" Overlay hinges	Die-Cast	DARX59	0.66	0.61	0.57
76-71-132	For use with Half Overlay hinges	Steel	D2VX99	0.85	0.79	0.74
76-71-133	For use with Half Overlay hinges	Die-Cast	DARX99	0.85	0.79	0.74
76-71-134	For use with Inset hinges	Steel	D2VXP9	1.19	1.10	1.03
76-71-135	For use with Inset hinges	Die-Cast	DARXP9	1.19	1.10	1.03



Smove for S Series Hinges

The new soft closing piston for S series hinges Excentra and Excentree. Includes overlays up to 1-7/16". For best results, select the position and fix the smove on the hinge side in relation to the overlay of the door.

Product Code	Description	Salice #	1-49	50-149	150+
76-71-120	To be used in the right corner of opening	DOUROG	\$2.83	\$2.61	\$2.42
76-71-121	To be used in the left corner of opening	DOULOG	2.83	2.61	2.42
76-71-122	To be used in either corner of opening	DOUXHG	3.10	2.86	2.65



Smove Holder with Assembly Stop Devices

For Full, 1/2", and half overlay applications position the part with the wing in contact with the side of the cabinet. Inset: Position the holes 11mm + door thickness and approx. 5mm from the edge of the door in the fully open position.

Product Code	Description	Salice #	1-49	50-149	150+
76-71-136	For use with normal doors with 2-3 hinges	D0LHSNG	\$2.65	\$2.46	\$2.29
76-71-137	For use with heavy doors with 3 + hinges	D0L8SNG	2.65	2.46	2.29
76-71-138	For use with very heavy doors with multiple hinges	D0L9SNG	2.65	2.46	2.29

SALICE

Smove Soft Closing System

Smove Adapters

32mm hole spacing. Screw-in design; requires wood screws. Lifetime warranty. 500 per case.



76-71-105



76-71-107



76-71-110



76-71-112



76-71-113



76-71-115



76-71-117



76-71-118

Product Code	Description	Finish	Salice #	1-99	100-299	300+
76-71-105	With front tabs. Use with all Salice hinges except S series	Beige	D066SNBN	\$0.28	\$0.26	\$0.24
76-71-106	With front tabs. Use with all Salice hinges except S series	Brown	D066SNQN	0.28	0.26	0.24
76-71-107	With front tabs. Use with S series face frame hinges	Beige	D067SNBN	0.28	0.26	0.24
76-71-108	With front tabs. Use with S series face frame hinges	Brown	D067SNQN	0.28	0.26	0.24
76-71-110	With front tab	Beige	D064SNBN	0.28	0.26	0.24
76-71-112	Without Front tab. For inset use	Beige	D065SNBR	0.28	0.26	0.24
76-71-113	Double adapter with front tabs. Use with all Salice hinges except S series. Use with light action pistons	Brown	D070SNQN	0.51	0.47	0.44
76-71-114	Double adapter with front tabs. Use with all Salice hinges except S series. Use with light action pistons	Beige	D070SNBN	0.51	0.47	0.44
76-71-115	Double adapter with front tabs. Use with all Salice hinges except S series. Use with light action pistons	Brown	D070SNQR	0.51	0.47	0.44
76-71-116	Double adapter with front tabs. Use with all Salice hinges except S series. Use with light action pistons	Beige	D070SNBR	0.51	0.47	0.44
76-71-117	With front tabs. Zinc die cast	Nickel	D076SN9	0.78	0.72	0.67
76-71-118	Without front tabs. Zinc die cast	Nickel	D076XX9R	0.78	0.72	0.67



Proudly Serving the Midwest

SALICE



76-71-103



76-71-104

Smove Soft Closing System

Smove Pistons

For use with doors 18" to 24" wide; can be inserted directly or used with adapter. Measures 2" (50mm) L x 25/64" (10mm) Dia. Lifetime warranty. 250 per case

Light Action. For installation into cabinet side opposite hinges.

Medium Action. For installation in center of cabinet top or base panel.

Strong Action. For installation in cabinet top or base panel. 1-1/16" from hinged side.

Product Code	Description	Color	Salice #	1-49	50-249	250+
76-71-099	Light Action	Beige	D005SNB	\$2.30	\$2.13	\$1.97
76-71-100	Light Action	Brown	D005SNQ	2.30	2.13	1.97
76-71-101	Medium Action	Beige	D006SNB	2.30	2.13	1.97
76-71-102	Medium Action	Brown	D006SNQ	2.30	2.13	1.97
76-71-103	Strong Action	Beige	D008SNB	2.43	2.24	2.08
76-71-104	Strong Action	Brown	D008SNQ	2.43	2.24	2.08



Smove Soft Closing System

Assembly Test Blocks

Lifetime warranty. Allows user to find optimal placement position of Smove into cabinet.

Product Code	Description	Salice #	Each
76-71-021	Smove test block	D071SNO	\$3.54



Screwdriver

Product Code	Description	Salice #	Each
75-49-100	Screwdriver	D2A7XCXCP	\$3.49



74-30-242 & 74-30-246

Angle Reduction Clips

For use with 94° and 165° hinges. Lifetime warranty. 300 per case.

Product Code	Opening Limit	Use w/ Opening Angle	Salice #	1-49	50-299	300+
74-30-275	86°	94°	S2A637XF	\$0.22	\$0.19	\$0.18
74-30-242	120°	165°	S2AF37X3	0.16	0.14	0.13
74-30-246	110°	165°	S2BF37XY	0.16	0.14	0.13



Hinge Boring Bits

For use with boring machines and drill presses. Features two wings with spurs. 57mm length. 10mm shank diameter. 10 per case.

Product Code	Description	Diameter mm	List	Each
75-17-322	Left hand	20	\$70.34	\$37.59
75-17-350	Right hand	35	69.96	37.40
75-17-361	Right hand	40	88.26	47.17

Boring Bits

Brad Point

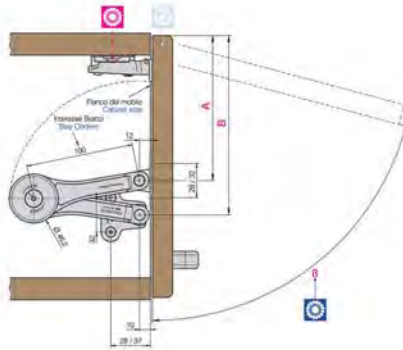
10mm Shank diameter. 10 per case.



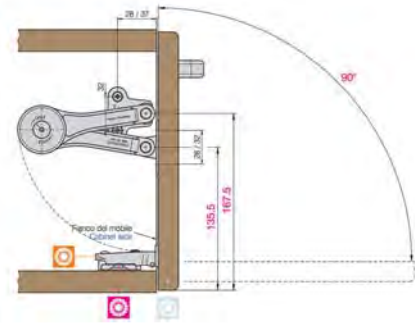
Product Code	Description	Diameter mm	List	Each
57mm Length				
75-17-234	Right hand	5	\$27.80	\$14.86
75-17-405	Left hand	5	27.80	14.86
75-17-237	Right hand	8	31.80	16.99
75-17-408	Left hand	8	31.80	16.99
75-17-239	Right hand	10	38.68	20.68
75-17-410	Left hand	10	38.68	20.68
70mm Length				
75-17-372	Right hand	5	29.18	16.67
75-17-450	Left hand	5	30.12	16.10
75-17-375	Right hand	8	32.42	18.52
75-17-453	Left hand	8	33.46	17.88
75-17-377	Right hand	10	41.48	23.71
75-17-474	Left hand	10	42.82	22.89



Flap Joint Stays
Klok



74-30-576



74-30-574

Holds door at any angle. Features adjustable friction force. 100 per case.

Product Code	Action	Application	List	Each	Case
74-30-574	Stay closed	Flip-down	\$28.18	\$15.97	\$14.97
74-30-576	Stay open	Flip-up	28.18	15.97	14.97

D

Hinges & Mounting Plates

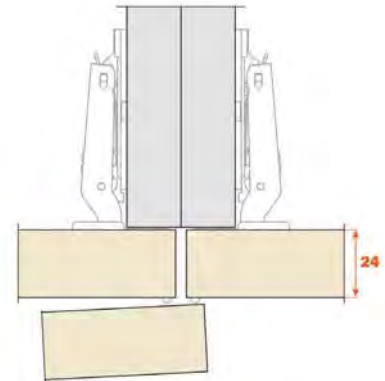
SALICE

Grade 1 Institutional Hinges M Series



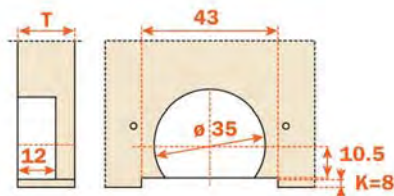
Use the chart below to verify that full 270° opening is possible.

Full 270° opening is possible only with R value ≥ 0 and mounting plates H=0 mm. Otherwise the actual opening must be checked with a practical test.

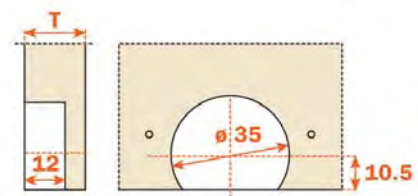


180° opening with door thickness max. 24mm

		Door thickness T Espesor puerta T		
		18	19	20
Side thickness S Espesor lateral S	20	2.25	1.25	0.25
	19	3.25	2.25	1.25
	18	4.25	3.25	2.25
R value Valor R				



Boring measurements for recessed knuckle



Boring measurements for external knuckle

Features 3-knuckle design, integrated stay close and die cast zinc construction with bright nickel, corrosive resistant finish. Variable overlay controlled by mounting plate height. Self lubricating and fully adjustable. Uses standard mounting plates. 100/case.

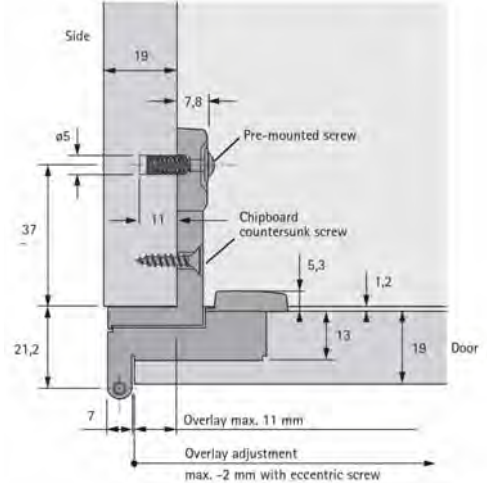
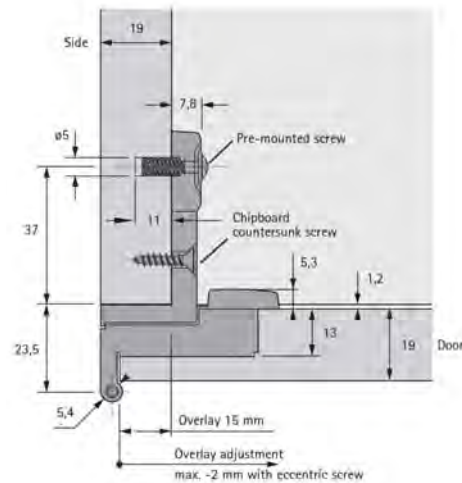
Product Code	Mounting Type	Finish	Opening Angle Deg.	Salice #	List	Each	Case
74-30-361	Knock-in	Nickel	270	CMR3A99	\$11.28	\$7.37	\$6.39
74-30-362	Screw-in	Nickel	270	CMP3A99	10.50	6.86	5.95
74-30-495	Knock-in	Titanium	270	CMR3A66	12.42	8.12	7.04



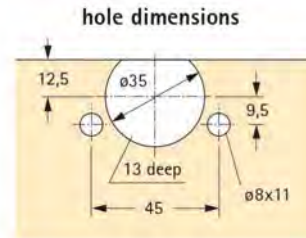
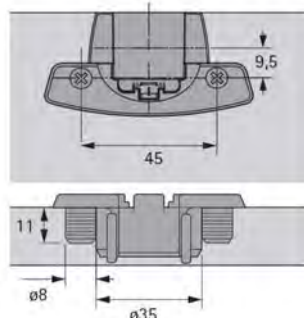
Single Pivot Hinges Snap-On – Selektä Pro 2000



Hinge Body



Hinge Cup



For single cabinet or storage wall applications. Features overlay and height adjustment, 35mm cup diameter, 39mm knuckle length and hinge arm with pre-mounted pan head screws. Self-closing. Die-cast zinc construction with nickel plated finish. 200 per case.

Note: Hinge body and hinge cup required to make complete hinge.

Hinge Body

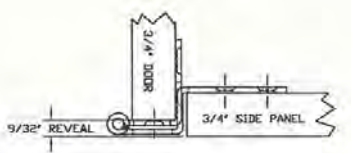
Product Code	Opening Angle Deg.	Door Overlay mm	List	Each	Case
74-29-100	270	15	\$5.58	\$3.33	\$3.09
74-29-101	180 to 230	11 or 5.5	5.96	3.56	3.30

Hinge Cup

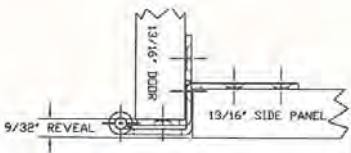
Product Code	Description	Case Qty.	List	Each	Case
74-29-102	Press-In cup with dowels	200	\$1.38	\$0.82	\$0.76

D

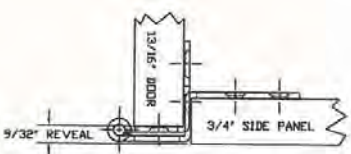
Hinges & Mounting Plates



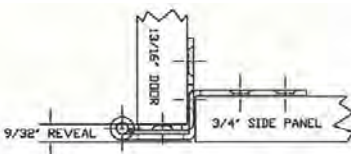
454 Series



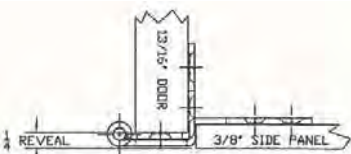
455 Series



376 Series



456 Series



849 Series



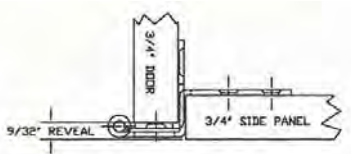
Overlay Hinges Institutional



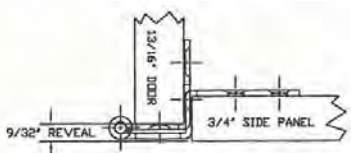
5-knuckle design for 32mm line boring or 45mm insertion systems. 2-3/4" height, .095" thick. 9/32" reveal. 270° opening angle. Countersunk mounting holes for #8 flat head screws.
No. 74-55-046. Side panel designed for 32mm line boring system. .090" thick.
Nos. 74-55-056, -059 & -062. Staggered side panel mounting holes. 1/4" reveal.

Product Code	Series	Side Panel Size In.	For Door Thickness In.	Overlay In.		Finish	1-99	100+
				Hinge	Door			
Full Overlay								
74-55-029	454	3/4	3/4	23/32	15/32	26D	\$2.93	\$2.74
74-55-032	454	3/4	3/4	23/32	15/32	Dove gray	2.61	2.45
74-55-035	454	3/4	3/4	23/32	15/32	White	2.74	2.56
74-55-038	455	13/16	13/16	25/32	17/32	26D	3.77	3.52
74-55-041	455	13/16	13/16	25/32	17/32	Gray	3.22	3.01
74-55-044	455	13/16	13/16	25/32	17/32	White	3.34	3.13
74-55-046	376	3/4	13/16	23/32	15/32	Stainless steel	5.80	5.43
74-55-047	456	3/4	13/16	23/32	15/32	26D	2.93	2.74
74-55-050	456	3/4	13/16	23/32	15/32	Gray	2.61	2.45
74-55-053	456	3/4	13/16	23/32	15/32	White	2.74	2.56
74-55-054	456	3/4	13/16	23/32	15/32	Black	2.61	2.45
Half Overlay								
74-55-056	849	3/8	13/16	11/32	1/8	26D	4.00	3.74
74-55-059	849	3/8	13/16	11/32	1/8	Gray	3.63	3.40
74-55-062	849	3/8	13/16	11/32	1/8	White	3.71	3.47

Economy Hinges Institutional



74 Series



76 Series



For 3/4" side panel. 23/32" hinge overlay, 15/32" door overlay.

Product Code	Series	For Door Thickness In.	Finish	1-99	100+
74-55-081	74	3/4	Chrome	1.65	1.53
74-55-082	74	3/4	Brushed chrome	1.65	1.53
74-55-083	76	13/16	Black	1.65	1.53
74-55-084	76	13/16	Chrome	1.65	1.53
74-55-085	76	13/16	Brushed chrome	1.65	1.53



Flush Hinges

Inset

For 13/16" door thickness. Features 2-3/4" barrel height, 1/4" door clearance, and hospital tips. Includes screws.

Product Code	Finish	List	1-99	100+
74-55-065	Dull chrome	\$6.46	\$3.57	\$3.34
74-55-068	Dove gray	5.80	3.21	3.00
74-55-071	White	6.02	3.33	3.11



Piano Hinges

Institutional

Steel construction.

Straight. Features countersunk screw holes on 2" centers.

Coil. Features .065" diameter steel pin and 5/8" joint length. European gauge; countersunk #5 screw holes on 60mm centers.

Product Code	Description	Dimensions L x W	Thickness In.	Case Qty.	List	Each	Case
Nickel Finish							
74-51-001	Straight	72" x 1-1/16"	.030	25	\$3.98	\$2.36	\$1.99
74-51-010	Straight	72" x 1-1/4"	.040	25	9.22	5.67	5.27
74-51-019	Straight	72" x 1-1/2"	.040	25	10.44	5.99	5.58
74-51-038	Straight	72" x 2"	.040	25	12.50	6.89	6.45
74-51-031	Coil	100' x 1-1/4"	.030	5	192.26	110.37	102.76
74-51-037	Coil	100' x 1-1/2"	.030	5	187.22	107.47	100.06
Brass Finish							
74-51-004	Straight	72" x 1-1/16"	.030	25	3.98	2.36	1.99
74-51-013	Straight	72" x 1-1/4"	.040	25	10.98	6.19	5.49
74-51-022	Straight	72" x 1-1/2"	.040	25	10.44	5.99	5.58
74-51-028	Coil	100' x 1-1/4"	.030	5	187.94	107.89	100.45
74-51-034	Coil	100' x 1-1/2"	.030	5	212.08	121.75	113.36



Hinges

Duplex

Two-piece, detachable design. Packaged 10 pair per case.

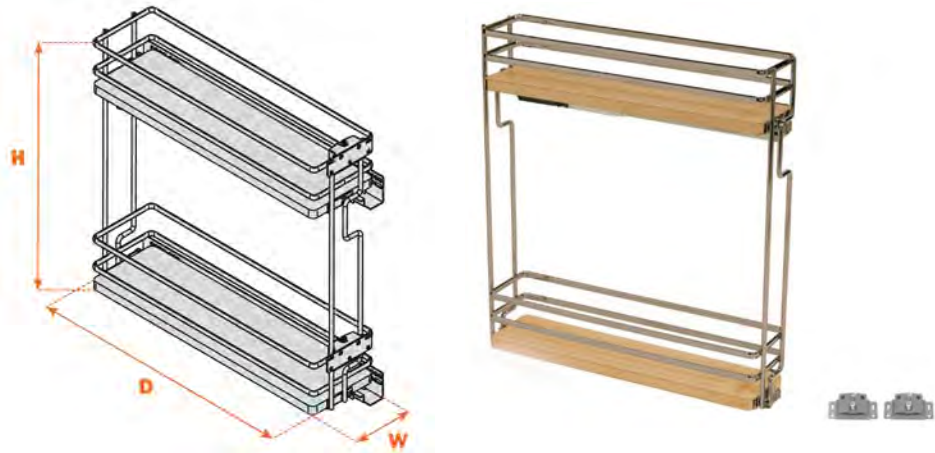
Product Code	Finish	List	1-4	5+
74-55-020	Black	\$142.54	\$78.40	\$73.50
74-55-023	Brass	187.10	102.90	96.47
74-55-026	Nickel plated	142.54	78.40	73.50

SALICE

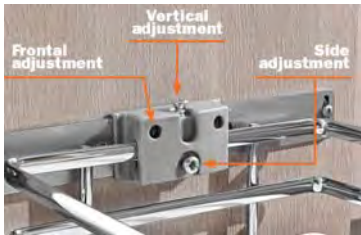
VIBO



Pull Out Base Filler
Vibo – Soft Close



Minimum opening 6", 2-tier base organizer, full extension soft close, non slip melamine surface, for frame and frameless cabinets, load capacity 75 lbs (35 kg), 3-way door adjustment, comes fully assembled ready to be installed. Kit contents: 2-tier side pull-out unit, full extension soft close slide, adjustable door-mounting bracket, assembly instructions and drilling template. Door-mount bracket: Patented system; 3 way adjustability for alignment of the cabinet door: height (+/- 2 mm), side (+/- 3 mm) and depth (+ 4 mm) adjustments, easy installation with only two screws; suitable for standard style doors and five piece doors as well and also - Use a #2 pozi driver to adjust.



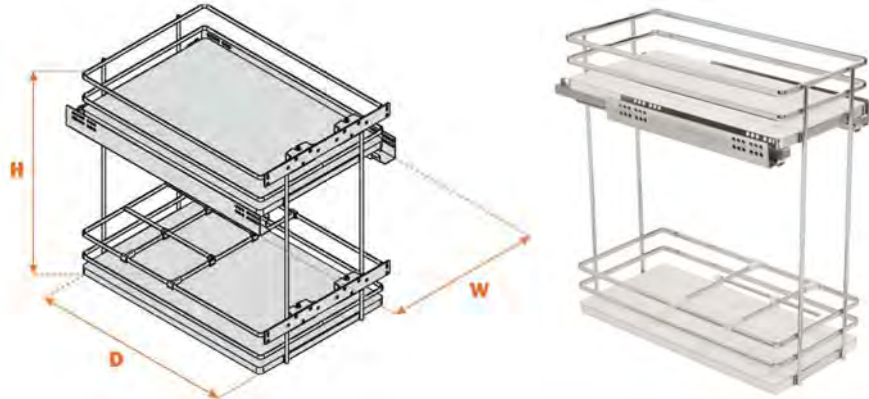
Product Code	Salice #	Version	Depth In.	Width In.	Height In.	1-4	5 +
Champagne Wire w/ Maple Melamine Bottom							
77-01-540	QELQAM6DXOMVCH	Right	21-3/8	6	21	\$121.69	\$114.08
77-01-541	QELQAM6SXOMVCH	Left	21-3/8	6	21	121.69	114.08
Chrome Wire w/ White Melamine Bottom							
77-01-550	QELQAM6DXOMC	Right	21-3/8	6	21	119.78	112.30
77-01-551	QELQAM6SXOMC	Left	21-3/8	6	21	119.78	112.30

Not all the products we carry are listed in this catalog. If you don't see what you're looking for, please contact your local branch for assistance.

SALICE



Pull Out Organizer
Vibo – Soft Close



2-tier base organizer, offering easy access, full extension soft close, non slip melamine surface, for frame and frameless cabinets, load capacity 75 lbs (35 kg), 3-way door adjustment, comes fully assembled ready to be installed. Kit contents: 2-tier base organizer, full extension soft close slide, adjustable door-mounting bracket, snap-on pull-out dividers, assembly instructions and drilling template. Door-mount bracket: Patented system; 3 way adjustability for alignment of the cabinet door: height (+/- 2 mm), side (+/- 3 mm) and depth (+ 4 mm) adjustments, easy installation with only two screws; suitable for standard style doors and five piece doors as well and also - Use a #2 pozi driver to adjust.

Product Code	Salice #	Depth		Width		Height	
		In.	In.	In.	In.	1-4	5 +
Champagne wire w/ maple melamine bottom							
77-01-542	QEGTAM12B2OMVCH	21-3/8	12	20		\$157.27	\$147.44
77-01-543	QEGTAM15B2OMVCH	21-3/8	15	20		166.75	156.32
77-01-544	QEGTAM18B2OMVCH	21-3/8	18	20		189.33	177.50
Chrome wire w/ white melamine bottom							
77-01-552	QEGTAM12B2OMC	21-3/8	12	20		\$154.63	\$144.97
77-01-553	QEGTAM15B2OMC	21-3/8	15	20		63.91	153.67
77-01-554	QEGTAM18B2OMC	21-3/8	18	20		86.05	174.42

W

Kitchen Convenience Hardware

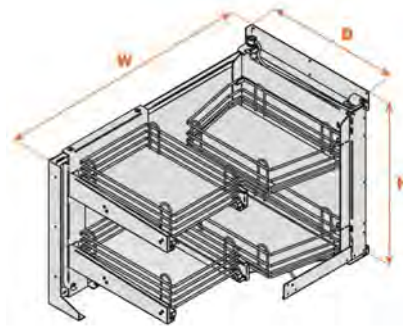
Quality Products

Quality People

SALICE



Smart Corner
ViBO – Soft Close



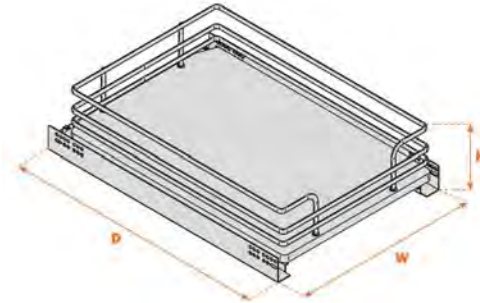
Smart Corner unit requires a minimum 17-1/2" door opening. Easy assembly, full extension and soft closing system, open in one movement, automatically allows free access to the rear baskets, non slip surface, for frameless cabinets, load capacity: back shelves 44 lbs (20 kg) - front shelves 22 lbs (10 kg). Inside height minimum 22-3/8". Non reversible. Kit contents: base corner unit system, set of 4 baskets (2 front and 2 rear), full extension soft close slides, adjustable door mounting bracket, assembly instructions.

Product Code	Salice #	Version	Depth In.	Width In.	Height In.	1-4	5 +
Champagne Wire w/ Maple Melamine Bottom							
77-01-600	QSMC45DXFMOMC	Right	19-1/4	33-5/16	22-3/8	\$603.49	\$565.77
77-01-601	QSMC45SXFOMC	Left	19-1/4	33-5/16	22-3/8	603.49	565.77
Chrome Wire w/ White Melamine Bottom							
77-01-602	QSMC45DXFMOMVCH	Right	19-1/4	33-5/16	22-3/8	615.78	577.29
77-01-603	QSMC45SXFOMVCH	Left	19-1/4	33-5/16	22-3/8	615.78	577.29

SALICE



Wire Pull Out Drawers
Vibo – Soft Close



Easy drawer insertion and removal; full extension soft close, non slip melamine surface, for frame and frameless cabinets, load capacity: 75 lbs (35 kg). Side and bottom mount. Kit contents: 1 drawer pull-out unit, full extension soft close slides, adjustable door-mounting bracket, assembly instructions and drilling template.

Product Code	Salice #	Depth In.	Width In.	Height In.	1-4	5 +
Chrome Wire w/ White Melamine Bottom						
77-01-560	QCCTAM12OMC	21-3/8	12	5-3/8	\$100.98	\$94.67
77-01-561	QCCTAM15OMC	21-3/8	15	5-3/8	108.56	101.78
77-01-562	QCCTAM18OMC	21-3/8	18	5-3/8	112.20	105.19
77-01-563	QCCTAM21OMC	21-3/8	21	5-3/8	121.44	113.85
Champagne Wire w/ Maple Melamine Bottom						
77-01-570	QCCTAM12OMVCH	21-3/8	12	5-3/8	102.52	96.11
77-01-571	QCCTAM15OMVCH	21-3/8	15	5-3/8	110.23	103.35
77-01-572	QCCTAM18OMVCH	21-3/8	18	5-3/8	114.00	106.88
77-01-573	QCCTAM21OMVCH	21-3/8	21	5-3/8	123.38	115.67

Product Code	Salice #	Description	1-4	5 +
77-01-580	QCCKDA	Face frame mounting kit	\$15.61	\$14.67

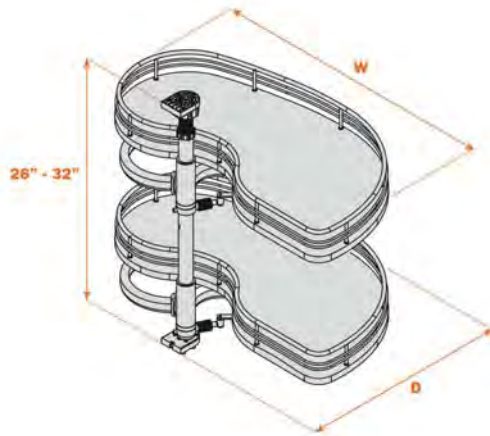
W

Kitchen Convenience Hardware

SALICE



Fly Moon Vibo



An innovative and unique space saving corner unit. The shelves can be pulled-out independently, trays are designed to increase storage surface, height adjustable shaft, easy to install: the mechanism is a patented system and can be easily fixed in on one side of the cabinet, non slip melamine surface, for frame and frameless cabinets, load capacity 44 lbs (20kg) per shelf, minimum door opening 85°, height of the shelf rail 70 mm (2-3/4"). Kit contents: 2 pull-out pivoting shelves; mechanism with height adjustable shaft; assembly instructions and drilling template, extension pipe. Soft close version available.

Shelf Kits



Product Code	Salice #	Version	Min. opening	Depth In.	Width In.	1-4	5 +
Chrome wire w/ white melamine bottom							
77-01-500	QFLY40DXM2OMC	Right	13-5/8	16-1/32	29	\$159.79	\$149.81
77-01-501	QFLY40SXM2OMC	Left	13-5/8	16-1/32	29	159.79	149.81
77-01-502	QFLY45DXM2OMC	Right	16	17-3/8	32-3/16	159.79	149.81
77-01-503	QFLY45SXM2OMC	Left	16	17-3/8	32-3/16	159.79	149.81
77-01-504	QFLY60DXM2OMC	Right	21	18-3/4	38-7/16	199.14	186.70
77-01-505	QFLY60SXM2OMC	Left	21	18-3/4	38-7/16	199.14	186.70
Champagne Wire With Maple Melamine Bottom							
77-01-510	QFLY40DXM2OMVCH	Right	13-5/8	16-1/32	29	163.02	152.83
77-01-511	QFLY40SXM2OMVCH	Left	13-5/8	16-1/32	29	163.02	152.83
77-01-512	QFLY45DXM2OMVCH	Right	16	17-3/8	32-3/16	163.02	152.83
77-01-513	QFLY45SXM2OMVCH	Left	16	17-3/8	32-3/16	163.02	152.83
77-01-514	QFLY60DXM2OMVCH	Right	21	18-3/4	38-7/16	203.22	190.52
77-01-515	QFLY60SXM2OMVCH	Left	21	18-3/4	38-7/16	203.22	190.52



Fly Moon Mechanism



Product Code	Salice #	Version	Min. opening	Depth	Width	1-4	5 +
Champagne							
77-01-520	QFLYAST2DXVCH	Right	13-5/8	26	32	\$176.78	\$165.73
77-01-521	QFLYAST2SXVCH	Left	13-5/8	26	32	176.78	165.73
77-01-522	QFLYAST602DXVCH	Right	21	26	32	176.78	165.73
77-01-523	QFLYAST602SXVCH	Left	21	26	32	176.78	165.73
Epoxy coated gray							
77-01-530	QFLYAST2DXVG	Right	13-5/8	26	32	176.78	165.73
77-01-531	QFLYAST2SXVG	Left	13-5/8	26	32	176.78	165.73
77-01-532	QFLYAST602DXVG	Right	21	26	32	176.78	165.73
77-01-533	QFLYAST602SXVG	Left	21	26	32	176.78	165.73

Soft Close Fly Moon Mechanism

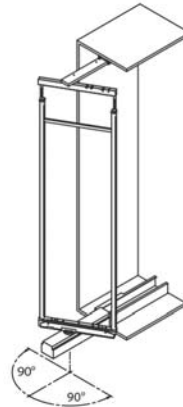
Product Code	Salice #	Version	Min. opening	Min. Height	Max. Height	1-4	5 +
Champagne							
77-01-524	QFLYASTM2DXVCH	Right	13-5/8	26	32	\$229.53	\$215.19
77-01-525	QFLYASTM2SXVCH	Left	13-5/8	26	32	229.53	215.19
77-01-526	QFLYAST60M2DXVCH	Right	21	26	32	229.53	215.19
77-01-527	QFLYAST60M2SXVCH	Left	21	26	32	229.53	215.19
Epoxy coated gray							
77-01-534	QFLYASTM2DXVG	Right	13-5/8	26	32	229.53	215.19
77-01-535	QFLYASTM2SXVG	Left	13-5/8	26	32	229.53	215.19
77-01-536	QFLYAST60M2DXVG	Right	21	26	32	229.53	215.19
77-01-537	QFLYAST60M2SXVG	Left	21	26	32	229.53	215.19



SALICE

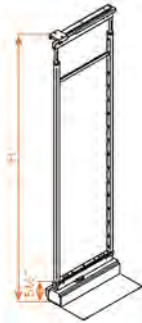


Rotating Pantry Unit Vibo



Frame

Height-adjustable frame, for overlay and inset doors.



Product Code	Salice #	Depth In.	Width In.	Full Set Height In.	Recommended # of baskets	1-4	5 +
Epoxy coated gray							
77-01-660	QCE1204VG	19-9/16	1-3/16	46-7/32-65-3/8	3	\$89.55	\$83.96
77-01-661	QCE1604VG	19-9/16	1-3/16	65-3/8-79-9/32	4	97.47	91.38
77-01-662	QCE1904VG	19-9/16	1-3/16	73-25/32-91-3/32	5	105.42	98.84
Champagne							
77-01-663	QCE1204VCH	19-9/16	1-3/16	46-7/32-65-3/8	3	89.55	83.96
77-01-664	QCE1604VCH	19-9/16	1-3/16	65-3/8-79-9/32	4	97.47	91.38
77-01-665	QCE1904VCH	19-9/16	1-3/16	73-25/32-91-3/32	5	105.42	98.84

Baskets

Easy insertion and removal, non slip melamine surface, height adjustable basket assembly.



Product Code	Salice #	Depth In.	Width In.	Height In.	1-4	5 +
Chrome wire w/ white melamine bottom						
77-01-636	QCC30ASAOMC	16-3/16	9-11/16	3-11/16	\$63.05	\$59.11
77-01-637	QCC40ASAOMC	16-3/16	13-5/8	3-11/16	68.24	63.98
77-01-638	QCC45ASAOMC	16-3/16	15-5/8	3-11/16	68.24	63.98
77-01-639	QCC60ASAOMC	16-3/16	21-1/2	3-11/16	79.70	74.72
Champagne wire w/ maple melamine bottom						
77-01-640	QCC30ASAOMVCH	16-3/16	9-11/16	3-11/16	63.05	59.11
77-01-641	QCC40ASAOMVCH	16-3/16	13-5/8	3-11/16	68.24	63.98
77-01-642	QCC45ASAOMVCH	16-3/16	15-5/8	3-11/16	68.24	63.98
77-01-643	QCC60ASAOMVCH	16-3/16	21-1/2	3-11/16	79.70	74.72

SALICE



Pantry Units *Continued*

Vibo



Soft-Close Drawer Slide

Full extension pivoting slide with soft close return. 90° rotation of the frame to the right or to the left side. Load capacity 220 lbs (100 kg).

Product Code	Salice #	Description	Length In.	Price	
				1-4	5 +
77-01-668	QGCFTM/13	265 lb capacity pantry straight slide	18-7/8	\$151.74	\$142.26
77-01-669	QGCFTMR	220 lb capacity pantry rotating slide	19-11/16	393.54	368.94



Brackets

Adjustable door-mounting bracket, fast application to frame internal holes.

Product Code	Salice #	Depth In.	Width In.	Height In.	Price	
					1-4	5 +
Epoxy coated gray						
77-01-646	QCK130NVG	1-5/8	9-7/8	1-13/16	\$7.42	\$6.96
77-01-647	QCK140NVG	1-5/8	13-13/16	1-13/16	10.44	9.79
77-01-648	QCK145NVG	1-5/8	15-3/4	1-13/16	10.44	9.79
77-01-649	QCK160NVG	1-5/8	21-5/8	1-13/16	11.92	11.18
Champagne						
77-01-650	QCK130NVCH	1-5/8	9-7/8	1-13/16	7.42	6.96
77-01-651	QCK140NVCH	1-5/8	13-13/16	1-13/16	10.44	9.79
77-01-652	QCK145NVCH	1-5/8	15-3/4	1-13/16	10.44	9.79
77-01-653	QCK160NVCH	1-5/8	21-5/8	1-13/16	11.92	11.18

MANUFACTURERS' CATALOGS

We shall be glad to send manufacturers' catalogs and other available publications and data on request.

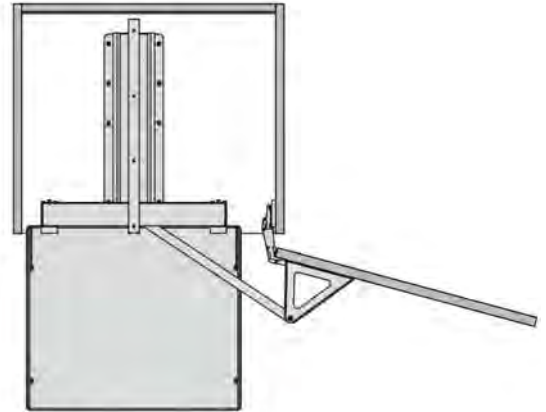
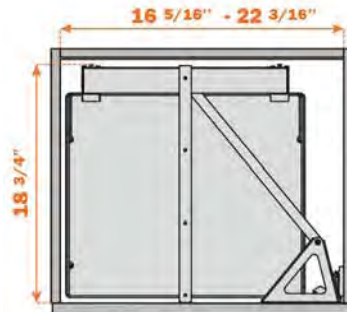


Kitchen Convenience Hardware

SALICE



Maxi Pantry Unit
Vibo



Integrated system that allows the pullouts to move forward as the door is opened. Tall pantry system that allows easy and full access to contents. Requires 165° opening hinges for a 16-5/16" or 22-3/16" minimum opening. Load capacity 175 lbs (80 kgs). Reversible, for left or right hand doors.

Frames

Pull-out frame for maxi-pantry unit. Minimum cabinet opening 16-5/16" or 22-3/16".



Product Code	Salice #	Min. Opening	Depth In.	Width In.	Height In.	Rec. # of Baskets		
						1-4	5 +	
Epoxy coated gray								
77-01-610	QCEM45BVG	16-5/16	18-3/4	12-7/8	48-1/32 - 61-13/16	3	\$235.63	\$220.91
77-01-611	QCEM60BVG	22-3/16	18-3/4	18-3/4	48-1/32 - 61-13/16	3	269.29	252.46
77-01-614	QCEM45MVG	16-5/16	18-3/4	12-7/8	61-13/16-75-5/8	4	261.80	245.44
77-01-615	QCEM60MVG	22-3/16	18-3/4	18-3/4	61-13/16-75-5/8	4	299.21	280.51
77-01-618	QCEM45VG	16-5/16	18-3/4	12-7/8	75-5/8-85-7/8	5	290.90	272.72
77-01-619	QCEM60SVG	22-3/16	18-3/4	18-3/4	75-5/8-85-7/8	5	332.45	311.67
Champagne								
77-01-612	QCEM45BVCH	16-5/16	18-3/4	12-7/8	48-1/32 - 61-13/16	3	235.63	220.91
77-01-613	QCEM60BVCH	22-3/16	18-3/4	18-3/4	48-1/32 - 61-13/16	3	269.29	252.46
77-01-616	QCEM45MVCH	16-5/16	18-3/4	12-7/8	61-13/16-75-5/8	4	261.80	245.44
77-01-617	QCEM60MVCH	22-3/16	18-3/4	18-3/4	61-13/16-75-5/8	4	299.21	280.51
77-01-620	QCEM45SVCH	16-5/16	18-3/4	12-7/8	75-5/8-85-7/8	5	290.90	272.72
77-01-621	QCEM60SVCH	22-3/16	18-3/4	18-3/4	75-5/8-85-7/8	5	332.45	311.67

Baskets

Basket for maxi-pantry unit. Easy insertion and removal, non slip melamine surface, height adjustable basket assembly with "Easy Fit System".



Product Code	Salice #	Min. Opening	Depth In.	Width In.	Height In.	Rec. # of Baskets	
						1-4	5 +
Chrome wire w/ white melamine bottom							
77-01-622	QCEM45ACMOMC	16-5/16	16-3/16	12-5/8	6-1/4	\$73.30	\$68.72
77-01-623	QCEM60ACMOMC	22-3/16	16-3/16	18-1/2	6-1/4	85.74	80.38
Champagne wire w/ maple melamine bottom							
77-01-624	QCEM45ACMOMVCH	16-5/16	16-3/16	12-5/8	6-1/4	74.79	70.11
77-01-625	QCEM60ACMOMVCH	22-3/16	16-3/16	18-1/2	6-1/4	87.52	82.05

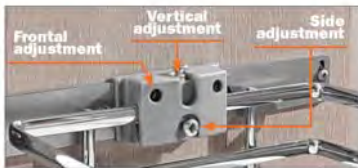
SALICE



Waste Bins
Vibo – Soft-Close



Bottom mount full extension soft close drawer slides. Bins are equipped with handles to easily keep your trash bag inside and lift cans up. Easy installation with only 4 screws. Kit includes: Door mount brackets and clip on handle. Waste Bins: Recyclable, non toxic material. Resistant to low & high temperatures. Non deformable. Integrated handles for easy removal. Door-mount bracket: Patented system; 3 way adjustability for alignment of the cabinet door: height (+/-2mm), Side (+/-3mm) and depth (+ 4mm), easy installation with only two screws; suitable for standard style doors and five piece doors as well Use a #2 pozi driver to adjust.



Product Code	Salice #	Description	Depth In.	Width In.	Height In.	1-4	5 +
77-01-590	QPAM12135C	Single 35 quart	19-5/8	12	19-1/2	\$78.51	\$73.60
77-01-594	QPAM15228C	Double 32 quart	19-5/8	15	19-1/2	103.74	97.25
77-01-592	QPAM18228C	Double 32 quart	19-5/8	18	19-1/2	114.49	107.33
77-01-593	QPAM21235C	Double 35 quart	19-5/8	21	19-1/2	135.84	127.35



Replacement Bins

Product Code	Salice #	Description	Depth In.	Width In.	Height In.	1-4	5 +
77-01-588	QPAM128C	32 quart w/ handles	14-3/8	8-5/8	18-7/64	\$20.87	\$19.57
77-01-589	QPAM135C	35 quart w/ handles	17-15/64	8-5/8	18-7/64	22.03	20.65

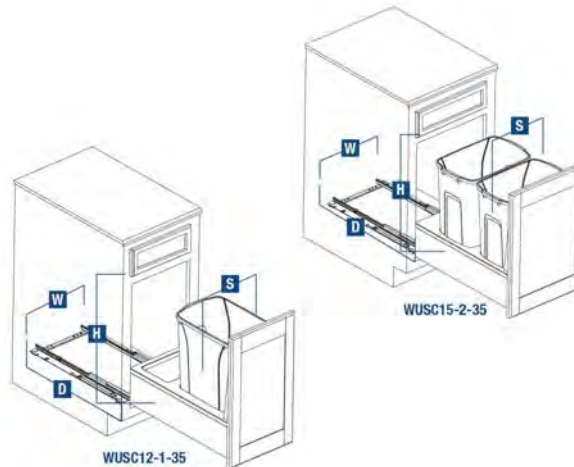
W

Kitchen Convenience Hardware



KNAPE & VOGT

Waste & Recycling Bins Undermount – Wood – Soft Close



Wood drawer box captures bin and provides a clean neutral look. Single bin units include a storage space for trash bags or cleaning products. Heavy Duty undermount soft close slides. Easy installation with self aligning brackets with only 6 screws. Washable solid floor.

Product Code	Size In.	Dimensions In. H x W x D	Capacity Qt	Color	List	1-4	5+
Single Bin Units							
77-03-880	12	19-1/4 x 11-1/4 x 22-3/8	35	Platinum	\$267.00	\$137.32	\$133.50
77-03-881	12	19-1/4 x 11-1/4 x 22-3/8	35	White	261.46	134.47	130.73
77-03-882	12	23-5/16 x 11-1/4 x 22-3/8	50	Platinum	278.14	143.05	139.07
77-03-883	12	23-5/16 x 11-1/4 x 22-3/8	50	White	272.58	140.18	136.29
Double Bin Units							
77-03-884	12	19-5/8 x 11-5/8 x 22-3/8	27	Platinum	275.06	141.46	137.53
77-03-885	12	19-5/8 x 11-5/8 x 22-3/8	27	White	269.68	138.70	134.84
77-03-886	15	19-1/4 x 14-5/8 x 22-3/8	35	Platinum	283.70	145.90	141.85
77-03-887	15	19-1/4 x 14-5/8 x 22-3/8	35	White	278.14	143.05	139.07
77-03-888	18	23-1/32 x 16-5/8 x 22-7/16	50	Platinum	311.52	160.21	155.76
77-03-889	18	23-1/32 x 16-5/8 x 22-7/16	50	White	305.98	157.36	152.99

**Think of AETNA
for all your product needs!**



Waste & Recycling Bins

Under Mount – Door Mount – Soft Close

Designed with washable backsplash and floor for easy cleaning. Features heavy-duty undermount slides with soft-close technology, concealed slide hardware, and self-aligning brackets.

Product Code	Size In.	Dim. In. H x W x L	Capacity Qt.	Color	List	Each
Single Bin						
77-03-001	12	19-3/16 x 11-13/16 x 22-7/16	35	Platinum	\$220.04	\$113.16
77-03-003	12	19-3/16 x 11-13/16 x 22-7/16	35	White	217.42	111.82
77-03-005	12	23-1/4 x 11-13/16 x 22-7/16	50	Platinum	230.52	118.55
77-03-007	12	23-1/4 x 11-13/16 x 22-7/16	50	White	225.28	115.85
Double Bin						
77-03-009	15	19-3/16 x 14-13/16 x 22-7/16	35	Platinum	233.14	119.90
77-03-011	15	19-3/16 x 14-13/16 x 22-7/16	35	White	230.52	118.55
77-03-013	18	23-1/4 x 15-3/8 x 22-7/16	50	Platinum	256.70	132.02
77-03-015	18	23-1/4 x 15-3/8 x 22-7/16	50	White	251.46	129.33



Waste & Recycling Bins

Top Mount – Door Mount – Soft Close

Design eliminates slamming. Features soft-close mechanism with over-travel ball-bearing slides, easy-to-clean steel side panels and concealed slide hardware. Face frame adapter accommodates 1-1/2" or 1-3/4" face frame cabinets allowing installation in openings 1/2" smaller than standard sizes. Measures 17-1/2" H x 23-3/16" D. 35 qt. capacity. 50 qt. version available.

Product Code	Size In.	Width In.	Color	List	Each
Single Bin					
77-03-019	12	11-1/2	Platinum	\$178.88	\$92.00
77-03-021	12	11-1/2	White	173.30	89.12
77-03-023	15	14-1/2	Platinum	195.78	100.69
77-03-025	15	14-1/2	White	190.24	97.84
Double Bin					
77-03-031	15	15	Platinum	196.54	101.08
77-03-033	15	15	White	190.98	98.22
77-03-035	18	17-1/2	Platinum	228.08	117.30
77-03-037	18	17-1/2	White	222.54	114.45





Waste & Recycling Bins

Bottom Mount – Soft Close

Features soft-close technology with over-travel ball-bearing slides, concealed slide hardware, easy open handle, and contemporary finish. Door mount optional.



Product Code	Size In.	Dim. In. H x W x L	Bin Capacity Qt.	Color	List	Each
Single Bin						
77-03-041	9	17-5/16 x 8-3/4 x 20-1/8	20	Platinum	\$107.12	\$54.49
77-03-043	9	17-5/16 x 8-3/4 x 20-1/8	20	White	101.52	51.64
77-03-045	10	18-13/16 x 9-3/4 x 20-1/8	35	Platinum	133.06	67.69
77-03-047	10	18-13/16 x 9-3/4 x 20-1/8	35	White	127.50	64.86
Double Bin						
77-03-063	15	18-13/16 x 14-3/4 x 23-1/8	35	Platinum	178.36	90.74
77-03-065	15	18-13/16 x 14-3/4 x 23-1/8	35	White	172.72	87.87
Triple Bin						
77-03-067	15	17-9/16 x 14-3/4 x 23-1/8	20	Platinum	224.62	114.27
77-03-069	15	17-9/16 x 14-3/4 x 23-1/8	20	White	219.02	111.42
Four Bin						
77-03-071	24	19 x 23-3/4 x 23-1/8	27	White	237.34	120.73



Single Bin

Waste & Recycling Bins

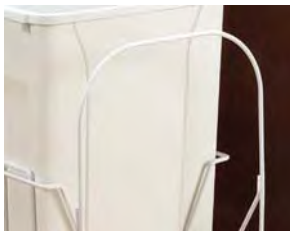
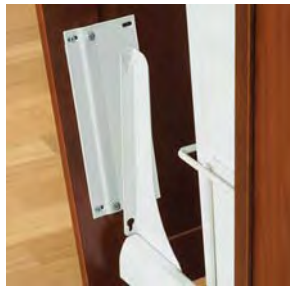
Top Mount – Door Mount

Features 1" over-travel ball-bearing slides and birch veneered tops with soft-radius edges. Includes accessory basket. Measures 17-1/2" H x 22-1/2" D. White. 35 qt. capacity. Lids ordered separately.



Double Bin

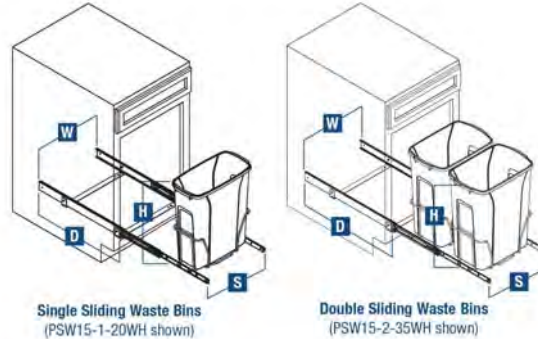
Product Code	Width In.	List	Each
Single Bin			
77-03-075	11.5	\$121.00	\$62.28
77-03-077	12	121.00	62.28
77-03-079	14.5	161.34	83.04
Double Bin			
77-03-081	15	153.54	79.03
77-03-085	18	185.98	95.72
77-03-087	21	214.70	110.51



KNAPE & VOGT

Waste & Recycling Bins

Bottom Mount



Features 1" over-travel ball-bearing slides and easy open handle. White. Door mount optional.

Product Code	Size In.	Dim. In. H x W x L	Capacity Qt.	List	Each
Single Bin					
77-03-109	9	17-5/16 x 8-5/16 x 20	20	\$60.50	\$32.09
77-03-095	10	18-3/4 x 9-5/16 x 20	35	86.90	46.08
77-03-097	12	22-3/4 x 11-5/16 x 12	50	100.34	53.21
77-03-099	15	17-5/16 x 14-5/16 x 16	20	85.54	45.36
77-03-101	15	18-3/4 x 14-5/16 x 16	35	91.50	48.52
Double Bin					
77-03-091	12	19 x 11-5/16 x 23	27	127.26	65.50
77-03-103	15	17-9/16 x 14-5/16 x 20	20	121.54	64.46
77-03-105	15	18-3/4 x 14-5/16 x 22-9/16	35	133.04	70.55
Triple Bin					
77-03-107	15	17-9/16 x 14-5/16 x 22-9/16	20	180.16	95.54
Four Bin					
77-03-093	24	19 x 23-5/16 x 22-3/4	27	198.86	102.35

Door Mount Kits

Bottom Mount

For use with pull-out waste and recycle units. Adapts standard width openings up to door sizes three inches wider and eliminates sub-panel support behind cabinet doors. Features 6-way adjustable design for door alignment with "drop-in" keyhole attachment.

Product Code	Finish	List	Each
77-03-113	Frosted Nickel	\$28.96	\$14.91
77-03-115	White	28.96	14.91

Waste Bin Handles

Bottom Mount

For use with single and double bin bottom mount waste and recycling units. Features large, easy grip design.

Product Code	Width In.	List	Each
Platinum			
77-03-119	9	\$28.96	\$15.36
77-03-123	10	28.96	15.36
77-03-127	12	28.96	15.36
77-03-131	15	28.96	15.36
White			
77-03-121	9	28.96	15.36
77-03-125	10	28.96	15.36
77-03-129	12	28.96	15.36
77-03-133	15	28.96	15.36



Recycling Centers

Corner

Designed for use with 36" base corner cabinets. (3) Removable 32 qt. waste bins rotate on 1" diameter post. White. Measures 28" D x 27-5/8" L.

Product Code	Description	Post Range Ht. In.	List	Each
77-03-137	Without door mount	28-1/2 to 30-1/2	\$224.42	\$119.69
77-03-139	With door mount	25 to 33	289.66	154.48



Waste Bins

Door Mount

White polymer removable bin mounts on white frame. Installs with (2) screws.

Product Code	Dim. In. H x W x D	Capacity Qt.	List	Each
77-03-147	11-1/8 x 9-1/2 x 7	9	\$24.62	\$13.95



Platinum



White

Waste Bins

Replacement

For use with pull-out waste and recycling units.

Product Code	Dim. In. H x W x D	Capacity Qt.	List	Each
Platinum				
77-03-151	16 x 14-15/16 x 7-1/4	20	\$17.22	\$9.19
77-03-159	17-1/2 x 14-15/16 x 9-5/16	35	18.80	10.03
77-03-163	21-5/8 x 15-3/8 x 11-1/8	50	24.26	12.94
White				
77-03-153	16 x 14-15/16 x 7-1/4	20	15.64	8.34
77-03-155	17-3/4 x 11-7/16 x 11-7/16	27	24.26	12.94
77-03-157	20 x 14 x 11-3/4	32	28.30	15.09
77-03-161	17-1/2 x 14-15/16 x 9-5/16	35	17.22	9.19
77-03-165	21-5/8 x 15-3/8 x 11-1/8	50	25.80	13.75

Waste Bin Lids

Conceals waste and traps odors inside waste bin.



Product Code	Description	List	Each
Platinum			
77-03-171	Fits 20 qt.	\$12.50	\$6.67
77-03-175	Fits 35 qt.	15.64	8.34
White			
77-03-173	Fits 20 qt.	10.98	5.86
77-03-177	Fits 35 qt.	14.08	7.51



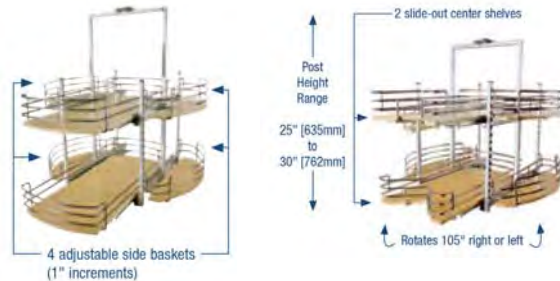
77-03-181



77-03-185



Polymer Lazy Susans Wood – Drawer Systems



Features full-extension, in-line undermount slides with soft-close technology. Heavy gauge frosted nickel wire construction. 1/2" thick shelves. UV-cured clear coat finish. Post height range 25" to 30".

Product Code	Shape	Diameter In.	Extension In.	List	Each
77-03-181	Full round	28	21	\$894.90	\$477.28
77-03-185	Kidney	28-7/8	20	894.90	477.28



Polymer Lazy Susans Full Round

Features polymer white shelves with individual rotation, steel bearing pins and zinc-plated telescoping post. 1" dia. post and 1" rim height.

Product Code	Post Height Range In.	Diameter In.	List	Each
2 Trays				
77-03-211	25-1/2 to 31-1/2	18	\$59.72	\$30.74
77-03-217	25-1/2 to 31-1/2	20	66.58	34.27
77-03-221	25-1/2 to 31-1/2	24	78.34	40.32
77-03-225	25-1/2 to 31-1/2	28	102.96	53.00
77-03-229	25-1/2 to 31-1/2	32	129.16	66.48
3 Trays				
77-03-207	35-1/2 to 40-1/4	18	93.74	48.25
77-03-213	35-1/2 to 40-1/4	20	100.44	51.70



Polymer Lazy Susans Kidney-Shaped – 2-Shelf

Features polymer white shelves with individual rotation, steel bearing pins and zinc-plated telescoping post. 1" dia. post and 1" rim height. Post height 25-1/2" to 31-1/2" H.

Product Code	Dia. In.	List	Each
77-03-233	18	\$58.32	\$30.02
77-03-237	24	76.42	39.33
77-03-241	28	98.80	50.86
77-03-245	32	115.82	59.61



Polymer Lazy Susans D-Shaped – 5-Shelf

For use in pantries or tall utility cabinets. Features polymer white shelves with individual rotation, steel bearing pins and zinc-plated telescoping post. 1" dia. post and 1" rim height.

Product Code	Width In.	Post Ht. In.	List	Each
77-03-249	22	55-15/16 to 61-5/16	\$287.34	\$147.89



Polymer Lazy Susans

Pie-Cut – Door Mount

Allows stored items to swing out of cabinet while door passes through. Features polymer white shelves, steel bearing pins and zinc-plated telescoping post. 1" dia. post and 1" rim height. Post height 25" to 33" H.

	Diameter In.	List	Each
77-03-257	24	\$85.78	\$44.15
77-03-261	28	107.02	55.08



Wire Lazy Susans

Kidney-Shaped

Features steel wire construction with contemporary design. Includes (2) shelves. Post height 28-1/2" to 30-1/2" H.

Product Code	Post Ht. In.	Diameter In.	List	Each
Frosted Nickel				
77-03-293	28-1/2 to 30-1/2	28	\$243.74	\$125.46
77-03-297	28-1/2 to 30-1/2	32	259.86	133.75
White				
77-03-295	28-1/2 to 30-1/2	28	178.84	92.05
77-03-299	28-1/2 to 30-1/2	32	192.52	99.09



Wire Lazy Susans

Half-Moon

For use in base blind corner cabinets. Steel wire shelf construction. Shelf edge measures 1-1/2" H. 21-5/8" travel length on heavy duty ball bearing drawer slides.

Product Code	Dim. In. D x W	List	Each
Frosted Nickel			
77-03-305	24-13/16 x 12-3/4	\$146.48	\$75.45
77-03-313	27-13/16 x 14-1/4	149.28	76.90
77-03-325	33-13/16 x 17-1/4	159.00	81.91
White			
77-03-307	24-13/16 x 12-3/4	114.70	59.09
77-03-317	27-13/16 x 14-1/4	113.70	58.57
77-03-327	33-13/16 x 17-1/4	121.00	62.34



Sink Front Trays

Stainless Steel

For use with scissor or euro-tray hinges (not included). Measures 3" H and 2" D. 10 per case.

Product Code	Width In.	List	Each	Case
77-03-435	11-5/16	\$12.46	\$6.81	\$6.41
77-03-439	14	13.10	7.16	6.74
77-03-443	19-1/16	14.64	8.01	7.54
77-03-447	25-1/16	17.16	9.39	8.84
77-03-451	31-1/16	18.30	10.01	9.42



Sink Front Trays

White Polymer

Available in standard or shallow depth (for solid surface countertops). Measures 3" H with white finish. 10 per case.

Nos. 77-03-523 & 77-03-535. Includes ring holder.

Product Code	Dim. In. W x D	List	Each	Case
Standard Depth				
77-03-523	11 x 2	\$6.70	\$3.56	\$3.35
77-03-525	11 x 2	6.58	3.48	3.29
77-03-535	14 x 2	7.26	3.85	3.63
77-03-537	14 x 2	7.04	3.74	3.52
77-03-541	24-1/4 x 2	8.80	4.67	4.40
77-03-545	30-1/4 x 2	9.60	5.09	4.80
Shallow Depth				
77-03-519	11 x 1-5/8	6.92	3.67	3.46
77-03-531	14 x 1-5/8	7.68	4.07	3.84



Sink Front Hinges

Euro

For use with sink front trays and bread boards. Allows opening angle of 45° to 90°. Mounting pattern fits both frame and frameless cabinetry. Nickel finish. 10 per case.

Product Code	Dim. In. H x W x D	List	Each	Case
77-03-577	2-7/8 x 3-3/4 x 2-1/4	\$11.56	\$6.53	\$6.13



Sink Front Hinges

Scissor

Features spring loaded, self-closing design and internal stop. 40° opening angle. Nickel finish. 10 pair/case.

Product Code	Dim. In. H x W x D	List	Each	Case
77-03-579	3-13/16 x 2-7/8 x 1-7/8	\$8.34	\$4.56	\$4.29

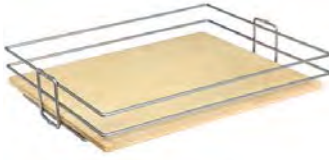
Pantries

Center Mount

Features heavy duty full extension ball-bearing slides and platinum finish. Measures 3-13/16" W x 22" L x 22-1/4" D. Baskets not included. Mounts with (4) screws.



Product Code	Height In.	List	Each
77-03-609	46-1/2 to 53-3/8	\$164.86	\$84.86
77-03-611	54-1/2 to 61-3/8	177.72	91.47

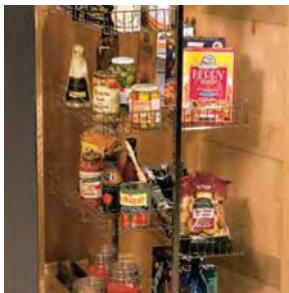


Pantry Baskets

Center Mount

Features heavy duty wire basket with frosted nickel finish and baltic birch platform. 4-1/8" H x 20-7/16" D.

Product Code	Width In.	List	Each
77-03-591	5	\$45.26	\$24.00
77-03-593	8	49.86	26.44
77-03-595	11	54.72	29.02
77-03-597	14	61.72	32.73
77-03-599	17	67.34	35.71
77-03-601	20	68.82	36.49



Pantry Rollouts

Side Mount

Side-Mount baskets mount to hooks on side of side-mount pantry roll-out. Available in either eco-friendly frosted nickel finish or white. Basket height is adjustable in 4" increments. Measures 3-13/16" W x 22-1/4" D.

Rollouts

Product Code	Height In.	List	Each
Frosted Nickel			
77-03-693	46-1/2 to 53-3/8	\$292.48	\$150.54
77-03-695	54-1/2 to 61-3/8	313.16	161.19
White			
77-03-699	46-1/2 to 53-3/8	216.64	111.51
77-03-703	54-1/2 to 61-3/8	232.00	119.41

Hangs from either side of pantry roll-outs. Measures 21-1/2" L x 3-1/4" H. 10 per case.

Baskets



Product Code	Width In.	List	Each
Frosted Nickel			
77-03-659	4	\$22.38	\$11.86
77-03-661	5	23.90	12.67
77-03-663	6	23.90	12.67
77-03-665	7	26.44	14.02
77-03-667	8	26.94	14.29
77-03-669	9	26.94	14.29
77-03-671	10	28.12	14.92
77-03-673	12	31.46	16.69
White			
77-03-675	4	16.56	8.78
77-03-679	6	17.80	9.44
77-03-683	8	19.98	10.59
77-03-687	10	20.90	11.08
77-03-689	12	23.32	12.36



Base Cabinet Roll-Outs

Slide-out frame supports up to (4) baskets on each side. Features steel construction. Baskets sold separately. White.

Note: For use with basket numbers 77-03-675 to 77-03-683.

Rollouts

Product Code	Dim. In. W x H x D	List	Each
77-03-725	7-9/16 x 19-1/4 x 21-11/16	\$90.38	\$47.92



Base Cabinet Organizers

Side Mount

Features (6) vertical basket positions. White.

Note: For use with basket numbers 77-03-675 to 77-03-683.

Product Code	Dim. In. D x L x H	List	Each
77-03-721	1-3/4 x 22 x 25-5/8	\$87.46	\$46.38



Rollout Baskets

Product Code	Width In.	List	Each
77-03-675	4	\$16.56	\$8.78
77-03-679	6	17.80	9.44
77-03-683	8	19.98	10.59



Pantry Organizers

Pot & Pan

Features heavy duty wire pull-out with (6) moveable hooks with rubber grips and frosted nickel/wood finish. Mounted to precision ball bearing slides.

Product Code	Dim. In. H x W	Depth In.	List	Each
77-03-587	19-3/8 x 17-3/4	23-5/8 to 24-5/8	\$312.12	\$160.65



Multi-Use Baskets

Fits around obstacles found in sink base cabinets. Includes handle. Measures 18-7/8" D x 15-1/2" H.

Product Code	Width In.	List	Each
White			
77-03-735	12-1/8	\$86.00	\$48.73
77-03-737	15-1/8	95.06	53.87
Platinum			
77-03-739	12-1/8	148.16	79.01
77-03-741	15-1/8	163.76	87.34



Appliance Lifts

Gas

For raising and lowering kitchen appliances. Features gas powered lifting mechanism. Can be outfitted with a custom block platform or a quality KV pre-made maple wood platform.

Appliance Lift

Product Code	Width In.	Height In.	Depth In.	Finish	List	Each
77-03-753	Platform surface +2-1/2"	23-61/64	Max. of 13" or platform depth	Platinum	\$280.38	\$149.53

Accessories.



Product Code	Description	Dim. In. W x H x D	Finish	List	Each
77-03-755	Accessory basket	9-7/8 x 4-7/8 x 12-7/8	Black w/ maple base	\$73.46	\$39.18
77-03-757	Maple block platform	13-1/2 x 1-1/2 x 18	Maple	73.76	43.03
77-03-759	Maple block platform	16-1/2 x 1-1/2 x 18	Maple	86.32	50.35

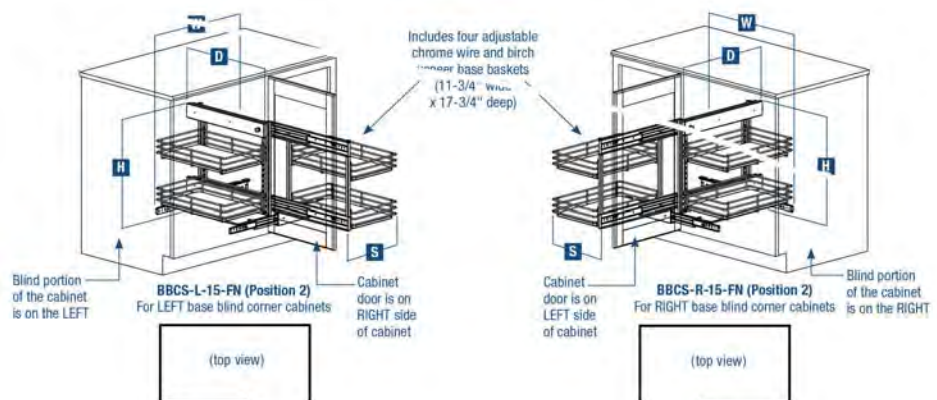
No. 77-03-755. Mounts beneath platform for added storage. Measures 12-1/2" L x 5" H



Right blind corner cabinet shown

Slide-Outs

Base Blind Corner



Can be assembled for left and right hand applications. Opens by manually pulling each half of the unit out of the cabinet in three easy steps. Features (4) adjustable frosted nickel and wood baskets with ball bearing slides. 14" sliding width.

Product Code	Dim. In. H x W x D	Description.	List	Each
77-03-615	19-3/4 x 26-3/16 x 22-3/16	For left base blind corner cabinets	\$871.46	\$462.13
77-03-617	19-3/4 x 26-3/16 x 22-3/16	For right base blind corner cabinets	871.46	462.13
77-03-619	26-3/4 x 26-3/16 x 22-3/16	For left base blind corner cabinets	958.58	508.34
77-03-621	26-3/4 x 26-3/16 x 22-3/16	For right base blind corner cabinets	958.58	508.34



Tray Dividers

Roll-Out – Birch Veneer

For organizing baking sheets and serving dishes. Slides out on heavy-duty, full-extension ball bearing slides. Features frosted nickel wire tray dividers mounted to baltic birch platform. Measures 22-1/4" D x 14" H.

Product Code	Width In.	List	Each
77-03-629	6	\$160.90	\$93.86
77-03-631	9	190.36	111.04



Tray Dividers

Roll-Out – White Melamine

Rolls out for easy access to trays. Features euro slides mounted to 1/2" thick melamine base. White. Measures 22" D x 19-1/2" H.

Product Code	Width In.	List	Each
77-03-729	6	\$110.72	\$64.58
77-03-731	9	133.42	77.83



Tray Dividers

For organizing baking sheets and serving dishes. Installs with (4) attachment clips. Measures 15/16" W x 19-1/2" D. 10 per case.

Product Code	Height In.	List	Each	Case
Frosted Nickel				
77-03-853	12	\$22.30	\$12.19	\$11.47
77-03-861	18	25.52	13.96	13.14
White				
77-03-855	12	18.56	10.15	9.55
77-03-863	18	19.60	10.72	10.09



Hampers

Roll-out – Wire

White. Hamper is removable.

Product Code	Dim. In. W x H x D	Construction	List	Each
77-03-763	12-1/8 x 14-5/8 x 18-3/4	Wire	\$99.82	\$53.24
77-03-769	12-1/8 x 18-7/8 x 18-3/4	Wire	103.84	55.38



Hampers

Tilt-Out – Wire

Designed for use with bottom-hinged cabinet doors. Removable. Measures 18-13/16" D x 17-3/4" H. White. 4 per case.

Product Code	Width In.	List	Each
77-03-777	10-1/2	\$60.30	\$35.17
77-03-781	13-1/2	63.04	36.77
77-03-785	16-1/2	64.92	37.87



Tableware Trays

Single-Tiered

Organizes flatware into compartments. Features high-impact polystyrene construction with high gloss finish. White. Trim to fit.

Product Code	Fits Drawer Width In.	Depth Range In.	List	Each
77-03-385	8-3/4 to 11-3/4	17-5/16 to 21	\$20.08	\$11.38
77-03-389	12-3/8 to 14-5/8	17-5/16 to 21	21.86	12.39
77-03-393	15-3/8 to 17-5/8	17-5/16 to 21	26.46	15.00
77-03-397	18-3/8 to 21-1/8	17-5/16 to 21	30.36	17.20



Drawer Inserts

Cosmetic Tray

Designed for use with vanity cabinets. Features angled storage compartments and various other shaped compartments. White. Includes accessory tray. 10/Case.

Product Code	Fits Drawer Depth In.	Fits Drawer Width In.	Ht. In.	List	Each
77-03-405	16-1/4 to 21	5 to 21-1/2	2-7/8	\$45.26	\$30.18



77-03-415

Spice Tray Inserts

Features tiered shelves and large rear compartment. Organizes spices or small items into 4 rows. No. 77-03-415 features cut-to-fit design and polystyrene construction with high-gloss finish. Allows for easy cleanup.

	Fits Drawer Depth In.	Width In.	Ht. In.	List	Each
White Plastic					
77-03-415	16-1/4 to 21	14-3/4	3-3/8	\$23.50	\$12.53
77-03-427	19-1/2	16-1/8	1-13/16	68.74	37.59
77-03-429	19-1/2	19-1/8	1-13/16	82.10	44.89
Birch Plywood					
77-03-423	19-1/2	10-1/8	1-13/16	47.40	25.92
77-03-425	19-1/2	13-1/8	1-13/16	60.38	33.02



77-03-423



Towel Bar

Door Mount

For storing and accessing dish towels. Features 3-tiered design. White. Mounts with (2) screws.

Product Code	Dim. In. W x D x H	List	Each
77-03-837	12-7/16 x 3-3/8 x 5-1/2	\$16.84	\$8.99



Utility Rack

Wire basket with attached towel rack is ideal for storing cleaning supplies in sink base cabinets.

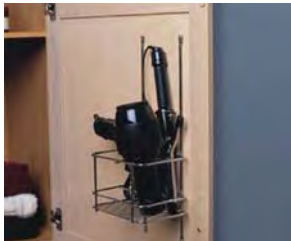
Product Code	Dim. In. W x D x H	List	Each
77-03-845	9-9/16 x 6 x 9	\$30.06	\$15.97



Iron Holder

Stores iron when not in use. Can be installed on cabinet door or wall. Frosted nickel finish.

Product Code	Dim. In. W x H x D	List	Each
77-03-871	8-1/8 x 8-5/16 x 5-1/8	\$24.84	\$12.80



Storage Racks

Grooming – Door Mount

Provides storage for hand-held hair dryer, (2) cans hair spray and (2) curling irons. Frosted nickel finish.

Product Code	Dim. In. W x H x D	List	Each
77-03-875	9-3/16 x 16-1/2 x 5-1/4	\$54.94	\$28.28



Storage Racks

Toilet Paper – Door Mount

Provides storage for (4) rolls of toilet paper. Mounts to doors or walls. Installs with (2) screws. White.

Product Code	Dim. In. W x H x D	List	Each
77-03-879	5-3/8 x 16 x 5-1/2	\$25.34	\$14.78

We carry products from the world's largest and best manufacturers.

Centralize your purchases with us!

Sink Front Trays

Tip-Out – Standard

Polypropylene construction. Measures 3-1/4" H x 2" D. White. 10 per case.

Tip-Out Tray w/Tab Stops. Requires hinges.



Tip-Out Tray



Tip-Out Tray w/Tab Stops

Product Code	Width In.	List	Each	Case
Tip-Out Trays				
77-02-101	11	\$2.82	\$1.57	\$1.49
Tip-Out Trays w/Tab Stops				
77-02-125	11	3.26	1.81	1.71
77-02-128	14	3.91	2.17	2.06

Sink Front Trays

Tip-Out – Deluxe w/ Ring Holder

Polypropylene construction. Measures 3-1/4" H x 2" D. White. 10 per case.

Tip-Out Tray w/Tab Stops. Require custom concealed hinges.



Product Code	Width In.	List	Each	Case
Tip-Out Trays w/Tab Stops				
77-02-134	11	\$3.26	\$1.81	\$1.71
77-02-137	14	3.91	2.17	2.06



Sink Front Trays

Stainless Steel

Measures 3" H x 2" D. 10 per case.



Product Code	Length In.	List	Each	Case
77-02-175	11	\$9.94	\$5.52	\$5.23

Note: Order hinges (page 123) separately.

Sink Front Trays

Extruded – Slim Line

White polypropylene construction. Measures 3-1/4" H x 45mm W. Cut to desired length. 20 per case.

Note: Hinges and end caps sold separately.



Product Code	Length In.	List	Each	Case
77-02-167	36	\$11.72	\$6.51	\$6.17

Sink Front Trays

Extruded

White polypropylene construction. Measures 3-1/4" H x 60mm W. Cut to desired length. 20 per case.

Note: Hinges and end caps sold separately.



Product Code	Length In.	List	Each	Case
77-02-157	36	\$12.54	\$6.97	\$6.60
77-02-158	72	24.95	13.86	13.13

Sink front hinges are on p. 123.



Waste Bin Systems

Pull-Out

Includes frame, slides, uprights, door hardware, and door mount bracket. Universal design accommodates bins of various size (sold separately). 100-lb. full extension ballbearing slide. Measures 19-1/16" H x 19-5/8" D. Chrome finish.

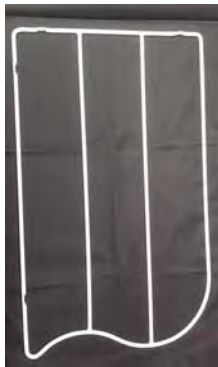
Product Code	Description	Width In.	List	Each
77-01-157	Single	10-3/16	\$76.60	\$40.78
77-01-158	Double	19-5/8	88.14	46.92



Waste Bins

Measures 18" H x 9-21/64" D. 5 per case.

Product Code	Capacity Qt.	Width In.	Color	List	Each
77-01-159	16	9-21/64	White	\$20.96	\$12.58
77-01-163	37	18-55/64	White	26.22	15.73

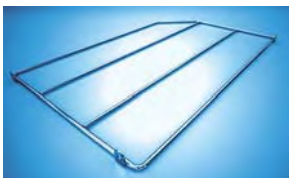


Tray Dividers

Wire

For organizing baking sheets and serving dishes. Screws directly to cabinet interior; requires no fastening clips. Measures 20" D. 10 per case.

Product Code	Height In.	Finish	List	Each	Case
77-02-232	12	White	\$5.98	\$4.52	\$4.20



Tray Dividers

Divides base cabinets and pantry units. Measures 18" deep. Mounts with clips and screws. Chrome finish. 10 per case.

Product Code	Height In.	List	Each
77-01-155	12	\$13.44	\$7.15
77-01-156	18	15.88	8.46

U.S. Futaba, Inc.



Single Basket



Three Basket

Pull-Out Baskets

Base mount. Includes frame, slides and basket(s). Chrome finish. 5 per case.

Product Code	Height	Width	Depth	Cabinet Min. Opening	List	Each
Single Basket						
77-01-135	5"	7-1/2"	20-1/16"	9-7/8"	\$42.66	\$30.48
77-01-136	5"	9-1/4"	20-1/16"	11-13/16"	44.24	31.60
77-01-138	5"	17-1/8"	20-1/16"	19-11/16"	49.00	35.00
77-01-139	5"	21-5/8"	20-1/16"	23-5/8"	52.50	38.50
Three Basket						
77-01-141	19-11/16"	7-1/2"	20-1/16"	9-7/8"	98.50	76.72
77-01-142	19-11/16"	9-7/8"	20-1/16"	11-13/16"	105.80	75.09
77-01-143	19-11/16"	13-3/4"	20-1/16"	15-3/4"	117.51	83.40
77-01-144	19-11/16"	17-3/4"	20-1/16"	19-11/16"	129.26	91.73
77-01-145	19-11/16"	21-5/8"	20-1/16"	23-5/8"	142.68	101.26



Pull-Outs

Tall Pantry Unit

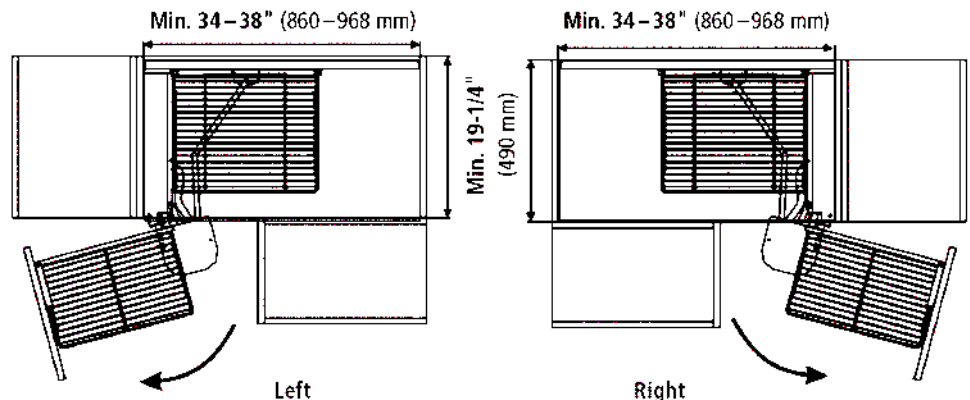
Includes frame, clip-on baskets and heavy runner. Gray epoxy finish on frame and runner; chrome baskets.

Product Code	Height In.	Width	Depth	Basket Width	No. Baskets	List	Each
77-01-146	50 to 61-7/8	9-3/4"	19-11/16"	5"	8	\$283.26	\$201.02
77-01-147	50 to 61-7/8	13-7/8"	19-11/16"	7"	8	292.38	207.50
77-01-148	61-7/8 to 73-5/8	9-3/4"	19-11/16"	5"	10	319.79	226.95
77-01-149	61-7/8 to 73-5/8	13-7/8"	19-11/16"	7"	10	342.71	243.22
77-01-150	73-5/8 to 85-1/2	9-3/4"	19-11/16"	5"	12	353.34	250.77
77-01-151	73-5/8 to 85-1/2	13-7/8"	19-11/16"	7"	12	374.97	266.11



Blind Corner Pull-Outs

One Action w/ Soft Close



Can be assembled for left or right hand applications. Includes frame, (2) door member clip-on baskets and (2) inner member clip-on baskets. Measures 540mm H x 490mm D. Chrome finish.

Product Code	Minimum Width mm	List	Each
77-01-153	860 to 968 (34" - 38")	\$374.57	\$265.82



Chef Pantry Systems

Includes (2) frames, door member clip-on basket and inner member clip-on basket. Measures 864mm W x 510mm D. Chrome finish.

Product Code	Height mm	No. Baskets	List	Each
77-01-134	1270	10 door, 20 inner	\$1301.20	\$735.42
77-01-169	1845	14 door, 28 inner	1780.15	960.12



Lazy Susans – Banded Wood 2 Shelf with Pole

Beautiful wood susans look elegant in any kitchen. 2 tray units include top and bottom mount telescoping posts. Trays rotate independently. Tray bottoms are 1/2" thick birch plywood. 1/2" thick by 1-5/8" tall surrounds are glued and doweled. Post range: 26"-33".



Product Code	Diameter	List	1-4	5+
Full Round				
77-48-805	18"	\$152.70	\$91.03	\$84.53
77-48-806	20"	164.38	98.00	91.00
77-48-807	24"	193.08	115.11	106.89
77-48-808	28"	220.94	131.71	122.30
77-48-809	32"	268.82	160.26	148.81
Kidney				
77-48-810	24"	201.70	120.24	111.65
77-48-811	28"	235.92	140.65	130.60
77-48-812	32"	274.00	163.34	151.67

Lazy Susans – Banded Wood Tray & Swivel

Pre-assembled swivels with bump stop and sub-floor make the susans simple add-ons to your project. Tray bottoms are 1/2" thick birch plywood. 1/2" thick by 1-5/8" tall surrounds are glued and doweled. All mounting hardware is included.



Product Code	Description	List	1-4	5+
Full Round				
77-48-820	18"	\$60.90	\$36.30	\$33.71
77-48-821	20"	68.46	40.82	37.90
77-48-822	24"	85.62	51.04	47.39
77-48-823	28"	97.16	57.93	53.79
77-48-824	32"	123.72	73.75	68.48
Kidney				
77-48-815	24"	90.32	53.85	50.00
77-48-816	28"	105.72	63.02	58.52
77-48-817	32"	126.30	75.29	69.91

Easy Installation

Wine Logic's in-cabinet wine racks can be easily installed (or removed) from your kitchen cabinets in minutes!

In the time it takes most people to unpack and organize a box full of pieces, you will already be enjoying a relaxing glass of wine.

Each wine storage unit includes a set of simple directions to guide you through the process. Nothing more than a Phillips-Head screwdriver is needed to complete the job.

Space Efficient

The horizontal design of our wine storage solution allows for the most effective use of space possible. Depending on which model you choose, the units will hold 18, 24, or 30 bottles of wine while occupying only a small amount of cabinet space.



Reduces Clutter

Are you tired of running to the basement to retrieve a few bottles of wine? Wine Logic conveniently keeps them close at hand.

Storing bottles of wine in your home is a recipe for cluttered counters, but Wine Logic is both out of the way and out of sight, without sacrificing accessibility or convenience.

Quality Construction

Wine Logic wine racks are constructed from high-quality, solid maple.

Each unit is meticulously crafted by career woodworkers, right here in the U.S. Full extension ball-bearing slides allow each tray to glide smoothly in and out of the rack.

The bottom tray has a sturdy, 75 lb capacity, while the top two trays max out at 100 lbs each.

High-end Solution At An Affordable Price

The Wine Logic storage system offers the quality and appearance of a custom-built solution without the custom built price.

Did you know luxury wine refrigerators or the services of a skilled cabinet maker can cost well over a thousand dollars?

Wine Logic wine racks offer many of the same features at a fraction of the price.

Optimal Wine Storage

The horizontal design also ensures that corks remain moist and swelled which helps wine from unwanted contact with the air and keeps sediment far enough away from the cork end of the bottle to prevent spoilage when pouring.

Plus, by installing racks inside your cabinets, your wine is protected from light degradation from the darkened conditions.

Problem(S) Solved

Wine Logic wine racks approach home wine storage with thoughtful design, quality craftsmanship and a connoisseur's insight. The result is a high-end wine storage solution that easily resolves the challenges of space, clutter, cost and more.



WL-MAPLE18
18 Bottle Capacity
22.25"d x 16.125"w x 11"h

77-49-390



WL-MAPLE24
24 Bottle Capacity
22.25"d x 16.125"w x 14.625"h

77-49-391

**NEW
SIZE**



WL-MAPLE30
30 Bottle Capacity
22.25"d x 16.125"w x 18.25"h

77-49-392

**NEW
SIZE**



WL-MAPLEBASE
For use outside of cabinets
22.25"d x 16.125"w x 18.25"h

77-49-393



Part #	Description	1-4	5+
77-49-390	18 bottle	\$237.35	\$225.88
77-49-392	30 bottle	\$394.88	\$379.97

Part #	Description	1-4	5+
77-49-391	24 bottle	\$324.98	\$309.88
77-49-393	Maple Base	\$34.85	\$31.97

With Our Innovative Design, Installation Is As Easy As 1, 2, 3.

1. Slide the collapsed frame into the cabinet and expand the sides until the brackets are fully extended and in their fully locked position.
2. Insert the bottom wine drawer into the frame, pull the entire unit to the front of the cabinet and mount the frame to the cabinet with the four screws provided.
3. Insert the middle and top drawers into the frame.

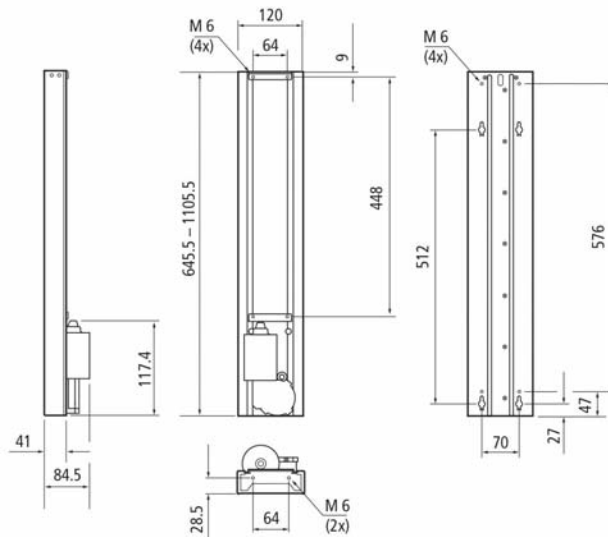


U.S. Futaba, Inc.

TV Lifts
Flat Panel – VersaLift™



VersaLift™



Remote-control lift for raising/lowering TVs, desk monitors, and cabinet shelves. Suitable for limited-space applications in boats, RVs, footboards, end tables, and flat mounted in base cabinets. UL listed.

Product Code	Max. TV/ Monitor Size	Description	Travel In.	Weight Capacity Lbs.	List	Each
74-69-008	26"	Without bracket	18	110	\$335.10	\$297.87
74-69-009	26"	With bracket	18	110	987.84	702.47

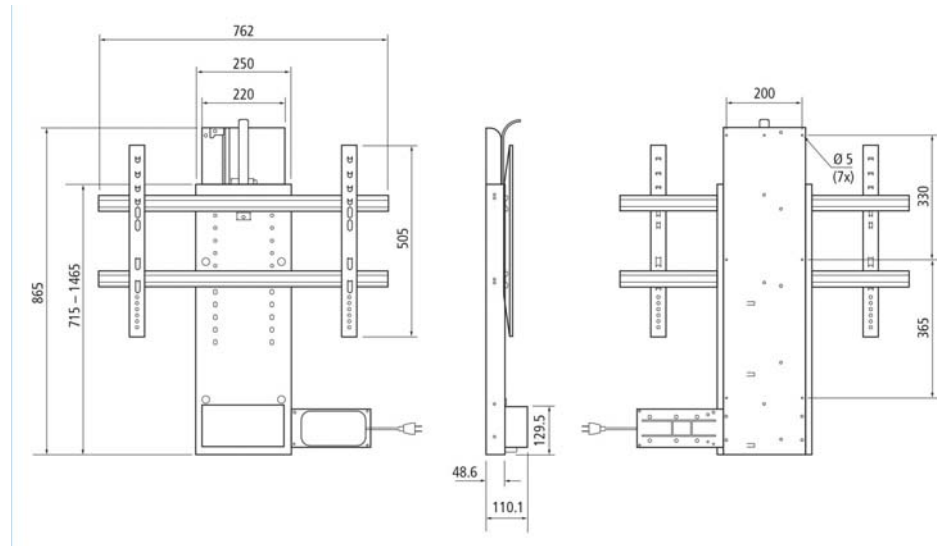
Expect more from us.

Call AETNA First!



Whisper Ride™

TV Lifts
Flat Panel – Whisper Ride™



Rack and pinion design with stability system and quiet operation. Includes remote control. UL listed.

Product Code	Depth Req. Behind TV	Unit Height	Travel In.	Weight Capacity Lbs.	List	Each
74-69-010	2-3/4"	34-1/6"	29-1/2"	200	\$942.95	\$670.54

Our customer service department has the answers you need!

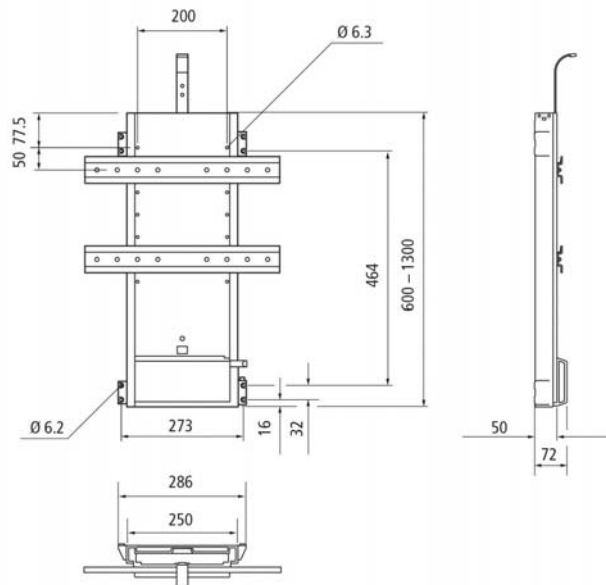
Entertainment & Computer Hardware

U.S. Futaba, Inc.

TV Lifts
Flat Panel – Whisper 700



Whisper 700



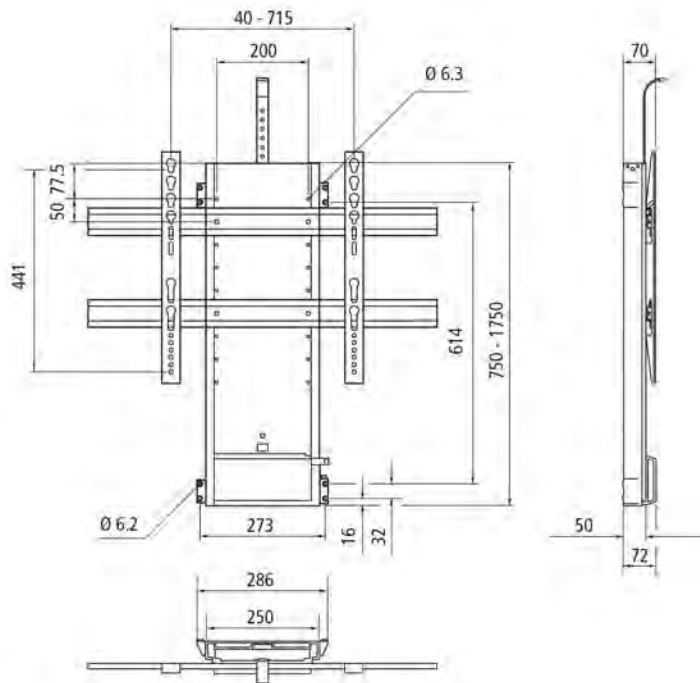
Rack and pinion design with stability system and quiet operation. Adjustable travel length. Reverse safety function. Includes remote control. UL listed.

Product Code	Depth Req. Behind TV	Unit Height	Travel In.	Weight Capacity Lbs.	List	Each
74-69-006	2-13/16"	23-5/8"	27-3/16	220	\$1040.94	\$793.10



Whisper 1000

TV Lifts
Flat Panel – Whisper 1000



Rack and pinion design with stability system and quiet operation. Reverse safety function. Remote control available. UL listed.

Product Code	Depth Req. Behind TV	Req. Build-In Height	Travel In.	Weight Capacity Lbs.	List	Each
74-69-007	2-13/16"	29-1/2"	39-3/8	225	\$1157.79	\$882.13





77-40-503

Keyboard & Mouse Tray

77-40-503. Integral, adjustable wrist rest. Adjustable drop height. Friction latch in open position. Mouse tray opens to either left or right side. 21.75" x 18" tray size. 75 pound weight class.

Product Code	KV Part #	Description	List	1-4	5+
77-40-503	5710SP BLK 18	Keyboard & mouse tray	\$109.20	\$57.90	\$56.20



77-40-504

Keyboard Drawer

77-40-504. Mouse fits inside tray. Precision ball bearing slides with lock out. 25.75" x 10" Tray size. 75 pound class. Fits 29" wide spaces.

Product Code	KV Part #	Description	List	1-4	5+
77-40-504	KD-1000	Keyboard drawer	\$144.52	\$76.64	\$74.38



77-40-506

Keyboard Tray

77-40-506. Economy keyboard drawer. Precision ball bearing slides with lock out. 20" x 10" Tray size. Adjustable – 7 positions from 2.25" to 3.60". Fits 23" wide spaces.

Product Code	KV Part #	Description	List	1-4	5+
77-40-506	KD-55	Keyboard tray	\$29.16	\$15.46	\$15.00



77-40-513

Optimal

77-40-513. 6" Vertical height range. Single soft touch knob to adjust tilt. 30 degree tilt range (+/- 15 degrees). 360 degree swivel at track. 18" track with EZ-Glide system. Great for keyboard only applications.

Product Code	KV Part #	Description	List	1-4	5+
77-40-513	SD-2	Optimal	\$119.44	\$63.34	\$61.48



77-40-530

System

77-40-530. Lift & Lock intuitive height adjustment. 7.5" vertical height range. Single soft touch knob to adjust tilt. 30 degree tilt range (+/- 15 degrees). 21" track with EZ-Glide system. Slide out mouse platform.

Product Code	KV Part #	Description	List	1-4	5+
77-40-530	SD-47-21	System	\$256.00	\$135.76	\$131.76



77-40-566

Monitor Arm

77-40-566. Spring lift assist. Single adjustable arm. 180 degree swivel at monitor. 360 degree swivel at base. Includes clamp & grommet mounts.

Product Code	KV Part #	Description	List	1-4	5+
77-40-566	HPR-3B	Monitor arm	\$398.22	\$211.18	\$204.97



77-40-568

CPU Holder

77-40-568. CPU's from Width: 15" – 23" Height: 4.75" – 8.5" Slide and swivel design with 18" track. All metal construction. 50 pound weight capacity.

Product Code	KV Part #	Description	List	1-4	5+
77-40-568	CPU-3	CPU holder	\$132.84	\$70.45	\$68.38



Mounting Brackets

Flat Screen TV/Monitor

Includes mounting hardware. Powder coat finish.



74-69-020



74-69-026

Mounting Brackets – Gray Finish

Product Code	Description	Fits TV Size In.	Capacity Lbs.	Case Qty.	List	Each	Case
74-69-020	90° Roll; 12° Tilt	10 to 32	60	6	\$80.50	\$46.00	\$42.93
74-69-026	90° Roll; 12° Tilt	25 to 42	80	2	140.88	80.50	75.13

Accessories

Product Code	Description	Finish	Case Qty.	List	Each	Case
74-69-030*	Adapter mount for LCD monitors	Gray	60	\$9.34	\$5.75	\$5.34

* Allows multiple hole patterns on back of LCD monitors to fit mounting brackets.



TV Swivels

Medium-Duty

Features removable plate, 180° swivel, forward extension, and precision engineered ball bearing slide system. 112 lb. load capacity. Brown epoxy coated finish. Top plate measures 12-5/8" square. 5 per case.



Product Code	Dimensions In. Length x Width x Height	Extension In.	List	Each	Case
77-40-201	14.5 x 12.7 x 1.7	9	\$110.20	\$71.40	\$65.91
77-40-202	14.5 x 12.7 x 2	14.5	142.30	93.18	86.02



Lazy Susan Swivels

Ball bearing design.



Product Code	Capacity Lbs.	Outer Diameter In.	Inner Diameter In.	Case Qty.	List	Each	Case
74-69-012	200	3	1-1/4	100	\$2.64	\$1.53	\$1.42
74-69-014	300	4	2-5/32	100	3.02	1.74	1.62
74-69-016	500	6	4-11/16	100	4.16	2.40	2.23
74-69-018	1000	12	6-9/32	25	12.38	7.14	6.63



Aluminum Swivels

Heavy-Duty

Features rubber pads for quiet operation. Outer ring features 1/4"-20 threaded holes for machine screws. Inner ring has countersunk holes for wood screws.



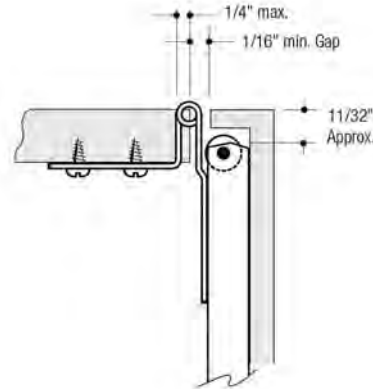
Product Code	Inner Diameter In.	Outer Diameter In.	Height In.	Capacity Lbs.	List	Each
74-69-002	10-1/2	12-3/4	1/2	175	\$32.10	\$25.37
74-69-003	15	17-1/2	9/16	275	85.40	67.47
74-69-004	20-1/2	23-5/8	5/8	660	262.55	200.03
74-69-005	26-3/8	29-1/2	5/8	990	438.08	333.78

F

Entertainment & Computer Hardware



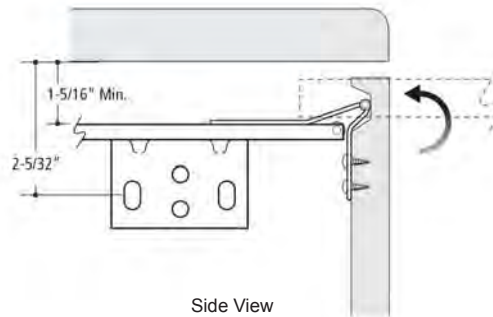
Overhead Hinged Door Slides 20-lb. – 8040 Series



Zinc finish. Designed for "up-and-over" flipper door applications.

Product Code	Length In.	Pairs/		
		Case	Each	Case
Up-and-Over				
74-14-510	12	\$34.80	\$19.58	\$18.43
74-14-511	14	35.98	20.24	19.05
74-14-512	16	37.00	20.82	19.59
74-14-513	18	38.12	21.45	20.19
74-14-514	20	39.20	22.05	20.75
74-14-515	22	40.30	22.67	21.34
74-14-516	24	41.38	23.27	21.90

Overhead Hinged Door Slides Up & Under – 3/4" Extension – 20-lb. – 8050 Series

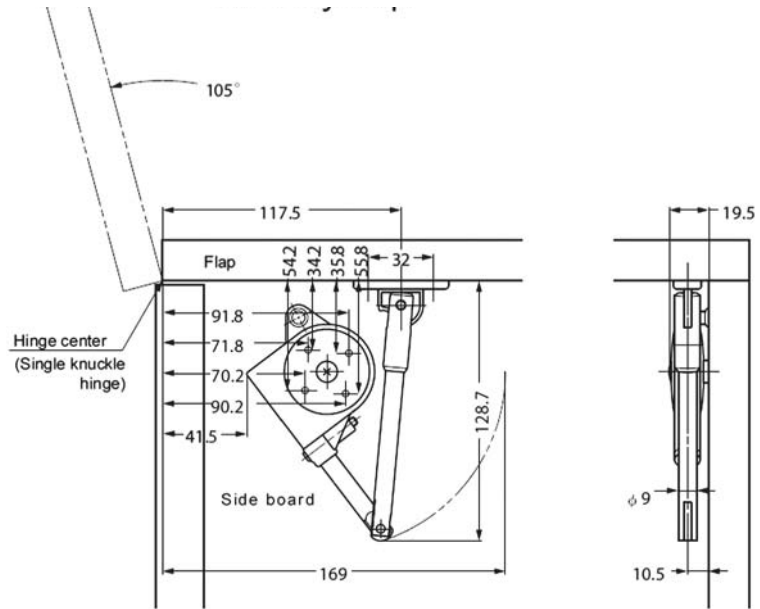


Zinc finish. Designed for "up-and-under" flipper door applications. 10 pair/case.

Product Code	Length In.	Travel In.	List		
			Each	Case	
Up-and-Under					
74-14-360	12	8-1/2	\$39.10	\$21.99	\$20.70
74-14-361	14	10-1/2	39.62	22.28	20.97
74-14-362	16	12-1/2	40.68	22.89	21.54
74-14-363	18	13-1/2	41.14	23.14	21.78
74-14-364	20	15-1/2	41.60	23.40	22.03
74-14-365	22	17-1/2	41.98	23.62	22.23
74-14-366	24	19-1/2	42.42	23.86	22.46



Dampening Mechanisms Soft-Down Stay SDS-210



Provides smooth movement and latching for vanity or toy box lids up to 20mm thick. Maximum opening angle 105°. Includes screws. Case qty. 20.
Torque calculator = Door height x 1/2 x door weight.

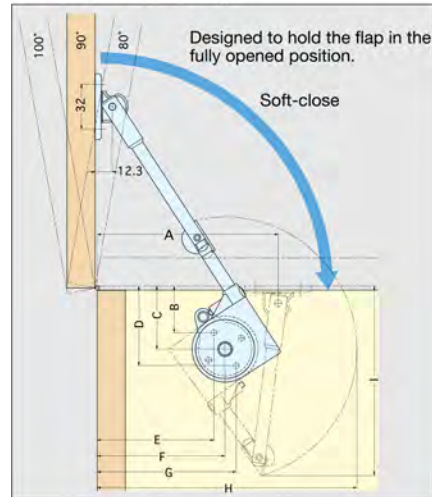
Product Code	Color	List	Each	Case
74-71-037	White	\$25.24	\$14.56	\$13.52
74-71-041	Gray	25.24	14.56	13.52

We are continually adding new products.
Call us with your inquiries.



Dampening Mechanisms Soft-Down Stay – Upward-Opening – SDS-C301N

With Single Knuckle Hinge



Provides smooth downward movement and latching for 20mm thick doors. Compact, non-handed design can be used with concealed or single knuckle hinges. Constructed of plastic, steel and zinc alloy with nickel finish. Includes screws. Case qty. 20.
Torque calculator = Door height x 1/2 x door weight.

Specifications

Hinge Type	Coverage	Dimensions (mm, per piece)		
		A	B	C
Concealed	Unspecified	108	143	232
Single Knuckle	Overlay	100	135	223
Single Knuckle	Inset	97	132	220

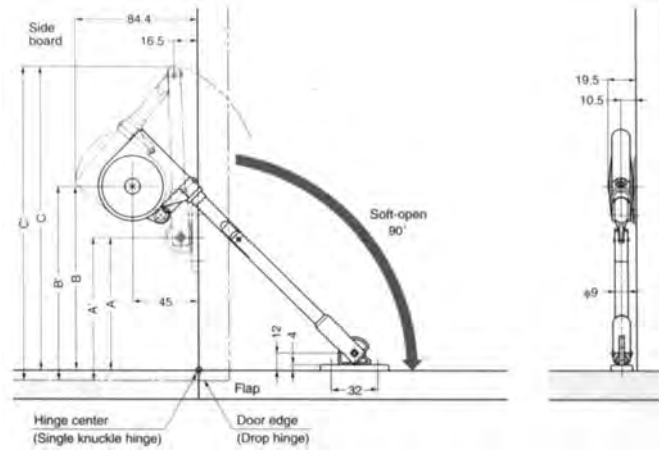
Dampening Mechanisms

Product Code	Color	List	Each	Case
74-71-017	White	\$24.64	\$14.22	\$13.20
74-71-025	Black	24.64	14.22	13.20

**Phone or FAX
your order today!!**



Dampening Mechanisms Soft-Down Stay – Downward-Opening



Designed to hold door in closed position. Provides smooth downward movement and latching for 20mm thick doors. Compact, non-handed design can be used with single knuckle or drop hinges. Constructed of plastic, steel and zinc alloy. Nickel finish. Includes screws. Case qty. 20.

Torque Calculation: door height x 1/2 x door weight.
Per Piece: 30 to 43 lbs/inch. Per Pair: 60 to 86 lbs/inch.

Specifications

Hinge Type	A	A'	B	B'	C	C'
Single Knuckle	100	—	135	—	218	—
Drop	—	107	—	142	—	225

Dampening Mechanisms

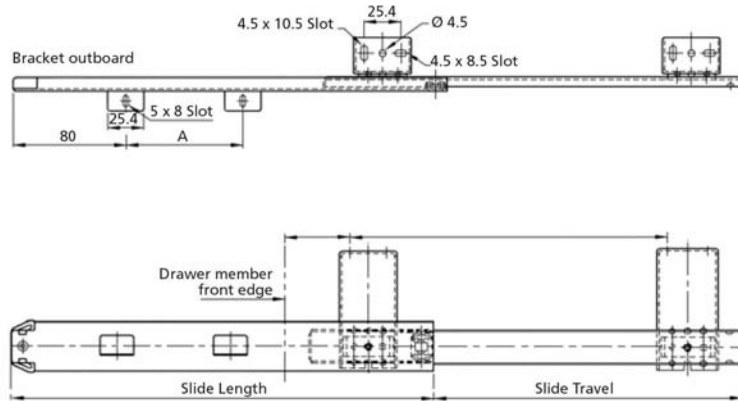
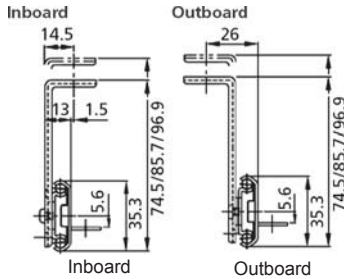
Product Code	Color	List	Each	Case
74-71-029	White	\$22.88	\$13.20	\$12.26
74-71-033	Black	22.88	13.20	12.26

**Our customer service
department has the
answers you need!**



Keyboard Slides

3/4 Extension – Light-Duty – Dynaslide®, Series 3544

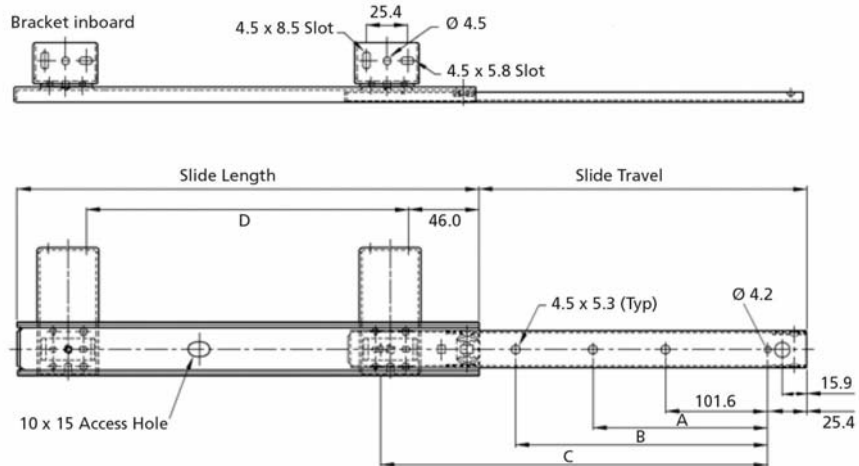
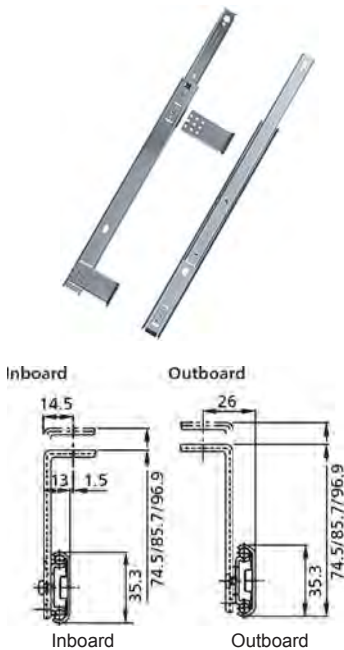


Features mounting tabs for keyboard shelf, positive detent-in and detent-out and adjustable height bracket. For use in inboard/outboard applications. Adjustable height: 2-7/8", 3-3/8" and 3-3/4". Zinc plated finish. 60-lb. capacity. 20 pair per case.

Product Code	Length In.	Travel In.	A	B	List	Each	Case
74-11-465	12	8	3-1/4"	8-3/8"	\$18.28	\$11.43	\$9.75
74-11-468	14	9-1/2	5-1/4"	10-3/8"	19.00	11.88	10.14
74-11-471	16	11	6-1/4"	12-3/8"	19.92	12.46	10.63
74-11-474	18	12-1/2	7-1/4"	14-3/8"	20.68	12.93	11.03

Pencil Drawer Slides

3/4 Extension – Dynaslide®, Series 3554



For light-duty applications. Features in/out detents, height adjustments 2-7/8", 3-3/8", 3-3/4" and adjustable inboard/outboard brackets. 60-lb. capacity. Zinc plated finish. 20 pair per carton.

Product Code	Dimensions In.				List	Each	Case
	Length	Travel	A	B			
74-11-401	14"	9-5/16"	8"	12"	\$19.62	\$11.70	\$10.56
74-11-405	16"	11-3/8"	10"	14"	20.56	12.27	11.07
74-11-409	18"	12-15/16"	8"	12"	21.34	12.73	11.49

U.S. Futaba, Inc.

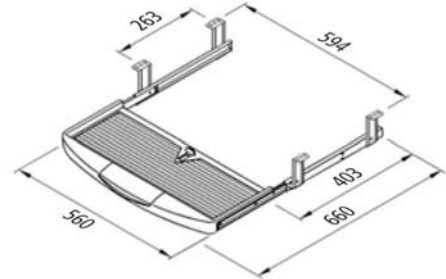
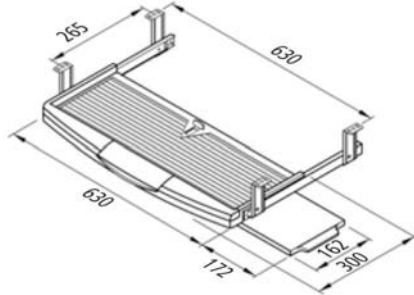
Keyboard Drawers



77-40-001



77-40-108

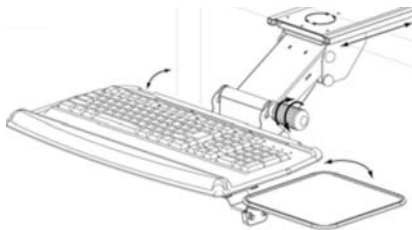


No. 77-40-001. Features top-mounted ball bearing slides, adjustable height mounting brackets, adjustable keyboard stopper, pull-out mouse tray, wrist rest, and accessory compartment. Hold-in/hold-out detent. Measures 23" L x 1-3/4" W x 3" H. Requires 8 screws for installation. Black. 5 per case.

No. 77-40-108. Features ball-bearing glides, L-brackets, pencil box with cover and adjustable keyboard stopper. Fits PC/AT (101) keyboards.

Product Code	Description	List	Each	Case
77-40-001	Keyboard drawer w/ pull-out mouse tray	\$86.16	\$49.71	\$46.16
77-40-108	Keyboard drawer	44.48	27.02	25.16

Keyboard Arm & Tray



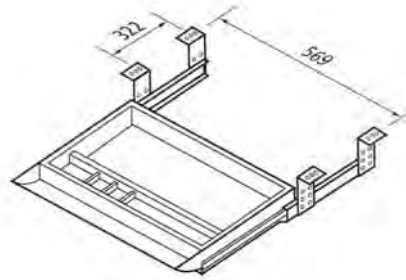
Features friction track, height adjustment, gel wrist rest and swivel mouse tray. 270° of tilt. Weight capacity 99 lbs.

Product Code	Rotation °	Color	List	Each
77-40-107	360	Black	\$222.04	\$122.50

We are continually adding new products. Call us with your inquiries.



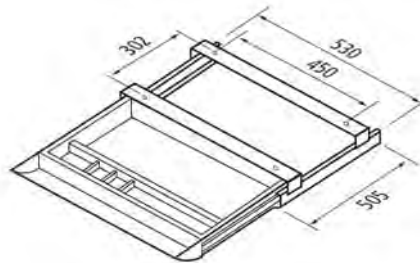
Pencil Drawers



Features compartmentalized tray mounted on ball bearing slides. Mounts under desktop using adjustable brackets. Measures 20-7/8" L x 18-1/2" W x 1-7/8" H. 5 per case.

Product Code	Tray	Finish	Slide	List	Each	Case
77-40-003	Gray		Black	\$43.04	\$27.30	\$24.27
77-40-004	Black		Black	44.98	28.12	25.00

Pencil Drawers



Features compartmentalized tray mounted to metal frame with roller slides. Mounts under desktop. Black. 5 per case.

Product Code	Dimensions In. L x W x H	List	Each	Case
77-40-006	20-7/8 x 18-1/2 x 1-7/8	\$44.30	\$27.69	\$24.61

CUSTOM ACCENTS

Desk Drawers



For holding pencils, pens, paper clips and other common desk drawer items. Drawer measures 22" W x 19.19" D. Centered finger tab for easy opening. Ribbed back compartment holds items in place. Ball bearing slides. Black. 10 per case.

Product Code	Description	List	Each	Case
77-40-002	Desk drawer	\$42.98	\$25.66	\$23.88
77-40-005	Desk drawer w/ lock	50.90	33.93	31.32

Drawer Organizers

Pencil Tray



For holding pencils, pens, paper clips and other common desk drawer items. Measures 12-3/4" W x 5-7/8" D. Fits drawers down to 11-1/2" wide.

Product Code	No. Compartments	Color	Case Qty.	List	Each	Case
77-40-007	4	Black	10	\$2.60	\$1.73	\$1.60

CUSTOM ACCENTS



77-40-021



77-40-022

Media Storage Racks

Portable, compatible for use in standard-size hanging file drawers or file cabinets. Black.
No. 77-40-021. Holds up to 24 CDs or DVDs.
No. 77-40-022. Holds up to 24 CDs, 56 floppy discs, or combination of both.

Product Code	Description	Dimensions In. L x W x H	Case Qty.	List	Each	Case
77-40-021	Snaprack CD holder	12.69 x 5.52 x 6.24	100	\$6.32	\$4.03	\$3.72
77-40-022	Media bin	12.80 x 5.53 x 5.51	12	11.36	7.24	6.68



Media Storage Trays

Pull-Out – Soho™

Can be attached to drawer front or used as standalone desktop unit. Features runner wheels and built-in handle. Black plastic construction.

Product Code	Description	Capacity	Case Qty.	List	Each	Case
77-15-055	DVD/CD pull-out tray	18	75	\$3.11	\$2.25	\$1.90



Hanging File Rails

Converts file drawers from letter to legal folder size. Clip-on installation; fits drawers 1/2", 7/16", and 5/8" thick. Black. Crossbar not included.

Product Code	Description	Case Qty.	List	Each	Case
77-40-086	File rail 1/2" W x 96" L	100	\$5.02	\$3.35	\$3.09
77-40-089	File rail clip	1000	0.42	0.28	0.26

U.S. Futaba, Inc.

Magnetic Catches

Includes strike plate and mounting screws. Single. Measures 40mm L x 13mm H x 19.5mm W. 250 per case.



Product Code	Finish	List	Each	Case
76-75-019	White	\$0.66	\$0.46	\$0.39
76-75-022	Black	0.66	0.46	0.39
76-75-025	Brown	0.66	0.46	0.39



Magnetic Catches

Features aluminum case. Includes strike plate and screws. Single.

Product Code	Dimensions mm	Case Qty.	List	Each	Case
	H x D x W				
76-75-065	15 x 25 x 58	500	\$1.48	\$1.04	\$0.87



Magnetic Catches

Double

Aluminum construction. Includes strike plate and screws.

Product Code	Dimensions mm	Case Qty.	List	Each	Case
	H x D x W				
76-75-066	21 x 25.5 x 53	500	\$2.48	\$1.74	\$1.45



Single



Double

Push Latches

Magnetic

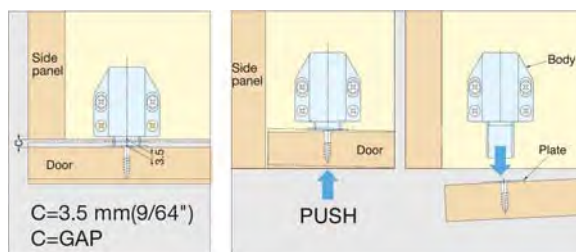
Includes strike plate and mounting screws.

Product Code	Color	Case Qty.	List	Each	Case
Single – 40.5mm L x 28mm W					
76-75-001	White	250	\$0.82	\$0.58	\$0.49
76-75-004	Black	250	0.98	0.68	0.57
76-75-007	Brown	250	0.98	0.68	0.57
Double – 60mm L x 57mm W					
76-75-010	White	125	1.86	1.30	1.09
76-75-013	Black	125	1.86	1.30	1.09
76-75-016	Brown	125	1.86	1.30	1.09



Touch Latches

Magnetic



Installation

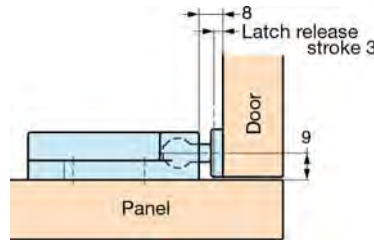
Features ABS plastic body with yellow zinc chromate finished steel latch and strike plate. Holding force 3.5 lbs. 1-27/64" wide. Sold each. Case qty. 20.

Note: Allow 9/64" gap between door and cabinet when using in overlay door applications.

Product Code	Body Color	List	Each	Case
76-75-034	White	\$4.40	\$2.57	\$2.37
76-75-037	Black	4.40	2.57	2.37



Touch Latches Non-Magnetic – Safety Push Latch



Features ABS plastic body. Body measures 40mm W x 57mm L. Holding force 17.6 lbs. Case qty. 30.
Note: Overlay door applications require 1/8" gap between door and cabinet frame for pushing space.

Product Code	Color	List	Each	Case
76-75-028	Black	\$8.70	\$5.07	\$4.68
76-75-031	White	8.70	5.07	4.68

Catch



Rotary Catches Non-Magnetic

Features polyacetal catch and strike with polyethylene rollers. 7 lbs. pull force; 4.8 lbs. push force. Measures 1-15/64" wide. White. Screws not included.

Product Code	UOM	Case Qty.	List	Each	Case
76-75-038	Each	100	\$0.56	\$0.32	\$0.30



Automatic Double Door Bolts



Black ABS plastic. Comes with locking and catch plate. Mounting screws not included. 100 per case.

Product Code	Description	List	Each	Case
74-71-188	Left hand	\$2.26	\$1.36	\$1.26
74-71-189	Right hand	2.26	1.36	1.26



Catches Self-Aligning

Supports doors. Features adjustable mounting.

Product Code	Finish	Case Qty.	List	Each	Case
76-75-040	Bronze	500	\$0.89	\$0.51	\$0.48



Ball Catches

100 per case.

Product Code	Size mm	Finish	List	Each	Case
76-75-043	43	Dull brass	\$2.44	\$1.39	\$1.30
76-75-046	43	Dull chrome	2.44	1.39	1.30
76-75-049	50	Dull brass	2.80	1.60	1.49
76-75-052	50	Dull chrome	2.80	1.60	1.49
76-75-055	60	Dull brass	4.46	2.55	2.38
76-75-058	60	Dull chrome	4.46	2.55	2.38
76-75-061	70	Dull brass	7.08	4.04	3.77
76-75-064	70	Dull chrome	7.08	4.04	3.77



Bead Catches

Double

Brass construction. 20 per case.

Product Code	Dimensions mm	List	Each	Case
76-75-042	43 x 8	\$1.94	\$1.14	\$1.05
76-75-048	50 x 9	2.38	1.39	1.28
76-75-054	60 x 11	3.48	2.04	1.88



Elbow Catches

Chrome plated brass construction. Includes strike and screw. 100 per case.

Product Code	Dimensions mm	List	Each	Case
76-75-069	16 x 29	\$4.46	\$3.12	\$2.60



Elbow Catches

Includes strike and mounting screws. Measures 28.5mm W x 34mm D.

Product Code	Finish	Case Qty.	List	Each	Case
76-75-067	Zinc	1000	\$1.00	\$0.70	\$0.59



Drawer Openers

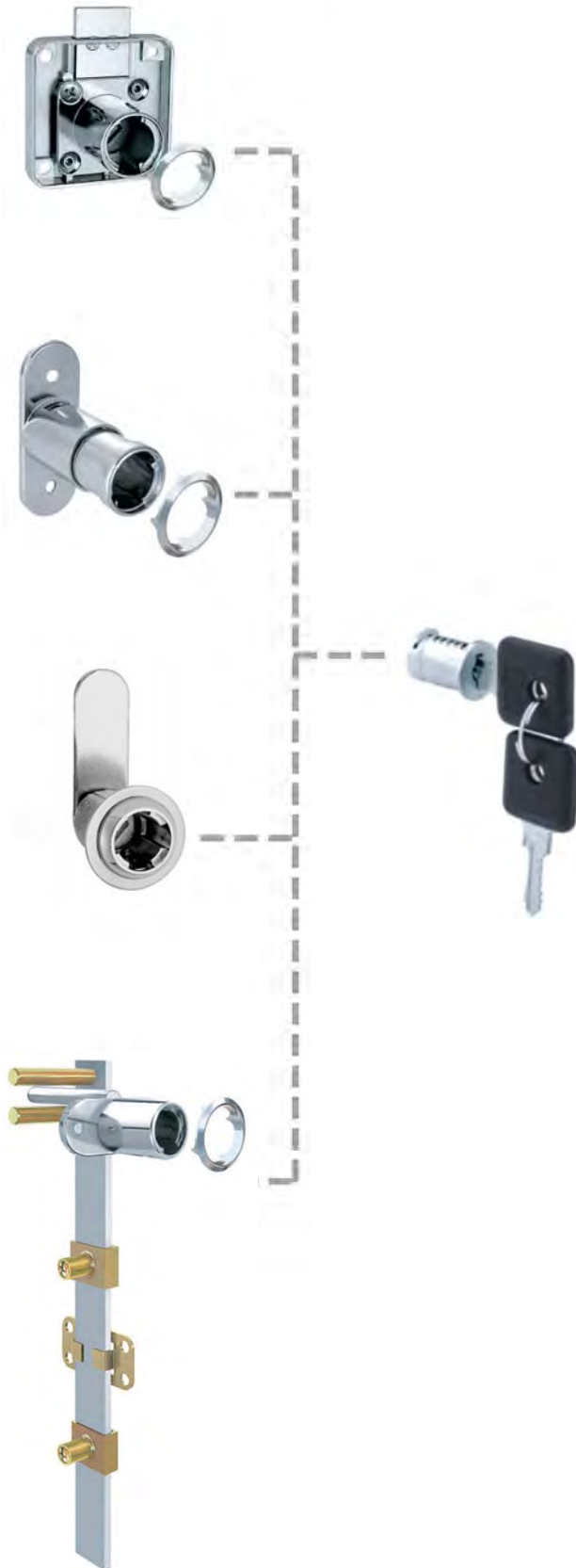
Flexa Touch

Designed to open drawers by pushing on drawer front. Adjustable for flush alignment. Adjustment 7/8" with 2-1/8" minimum to 3" maximum.

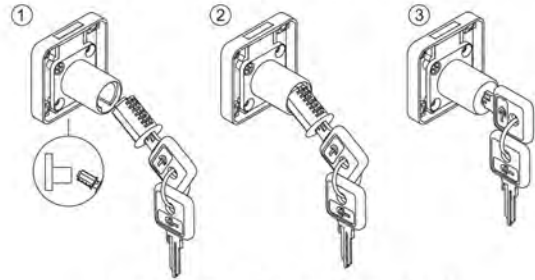
Product Code	Description	List	1-49	50-499	500+
76-77-039	Flex Touch	\$6.56	\$4.07	\$3.77	\$3.51



Removable Core System



► Insertion of cylinder core

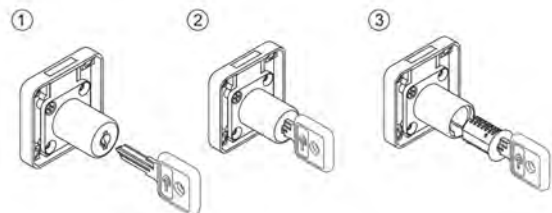


(lock must be in open position)

► 1 & 2 Install cylinder core with key inserted into the cylinder housing. (be sure to align the two diamond shaped objects on both the cylinder core and the cylinder housing)

► 3 Apply light pressure until cylinder core snaps into place.

► Removal of cylinder core



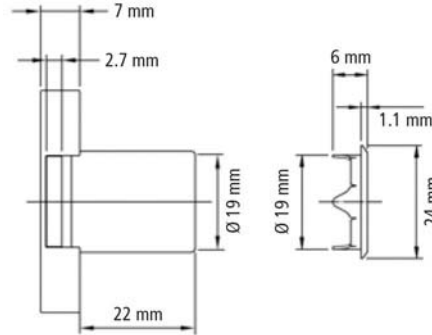
(lock must be in open position)

► 1 & 2 Insert removal key into cylinder core.

► 3 Remove cylinder core with removal key from cylinder housing.



Drawer Locks Round Housing



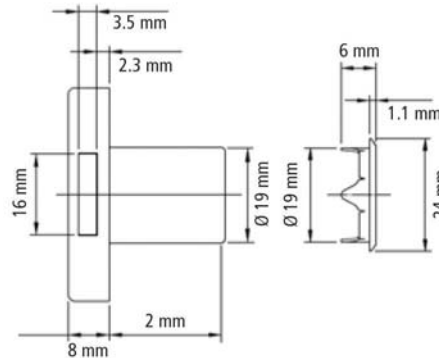
Features click action mechanism. Key can be removed in locked or unlocked position. Die cast zinc alloy construction. Includes lock housing, bezel and strike plate. Requires 3/4" drill hole for installation. Measures 1-5/8" dia. x 1/8" thick. 25 per case.

Note: Must order keys and cores separately.

Product Code	Finish	List	Each	Case
74-71-126	Nickel	\$3.68	\$2.21	\$2.05
74-71-128	Brass	3.92	2.36	2.18
74-71-130	Black	3.76	2.26	2.09



Drawer Locks Square Housing



Features click action mechanism. Key can be removed in locked or unlocked position. Die cast zinc alloy construction. Includes lock housing, bezel and strike plate. Requires 3/4" drill hole for installation. Measures 1-5/8" W x 1-5/8" H x 3/8" thick. 25 per case.

Note: Must order keys and cores separately.

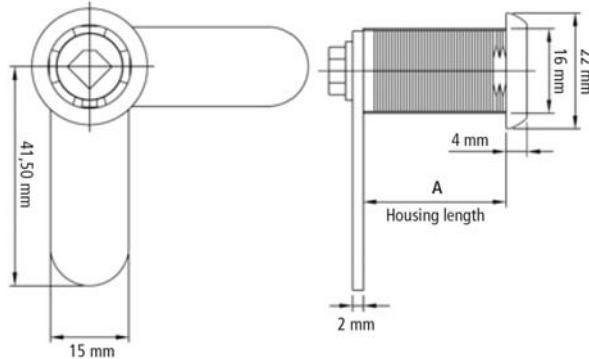
Product Code	Finish	List	Each	Case
74-71-104	Nickel	\$3.68	\$2.21	\$2.05
74-71-106	Brass	3.92	2.36	2.18
74-71-108	Black	3.86	2.32	2.15



U.S. Futaba, Inc.



Drawer Locks Cam Housing



Features 30mm long cylinder housing, two-way lock and 90° convertible rotary cam movement. Includes lock housing, straight and offset cams, mounting screw, washer and steel nut. Key can be removed in locked or unlocked position. Die cast zinc alloy construction. Requires 3/4" drill hole for installation. 25 per case.

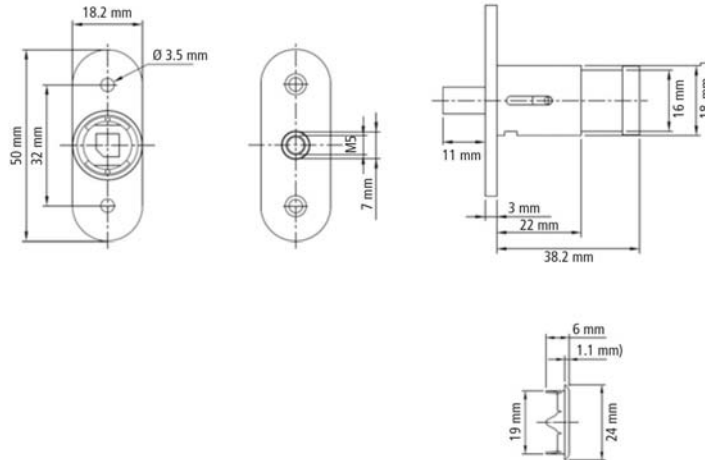
Note: Must order keys and cores separately.

Product Code	Finish	List	Each	Case
74-71-120	Nickel	\$3.74	\$2.24	\$2.08
74-71-122	Brass	3.86	2.32	2.15
74-71-124	Black	4.02	2.42	2.24
74-71-185*	Nickel	3.54	2.13	1.98

* Back install.



Drawer Locks Push-In



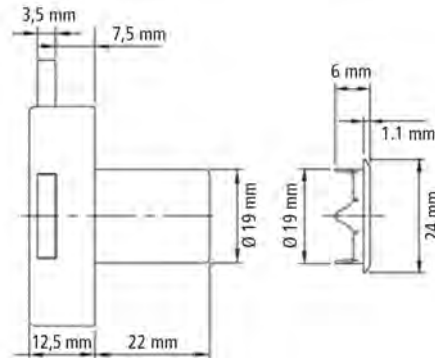
Features M5 internal thread locking pin. Does not require key when locking. Includes lock housing and bezel. Key can be removed in locked or unlocked position. Die cast zinc alloy construction. Requires 3/4" drill hole for installation. Measures 2" H x 3/4" W x 1-1/2" D. 25 per case.

Note: Must order keys and cores separately.

Product Code	Finish	List	Each	Case
74-71-114	Nickel	\$3.54	\$2.13	\$1.98
74-71-116	Brass	3.86	2.32	2.15
74-71-118	Black	3.68	2.21	2.05



Drawer Locks Double Bolt



For use in two-drawer and swing door cabinets. Features click action mechanism. Key can be removed in locked or unlocked position. Die cast zinc alloy construction. Includes lock housing, (2) screws, bezel, L-bracket and strike plate. Requires 3/4" drill hole for installation. Measures 1-5/8" W x 1-5/8" H x 1/2" thick. 20 per case.

Note: Must order keys and cores separately.

Product Code	Finish	List	Each	Case
74-71-152	Nickel	\$6.46	\$3.88	\$3.59
74-71-154	Brass	6.78	4.07	3.77
74-71-156	Black	6.58	3.96	3.66



Side Mount



Front Mount

Gang Locks

Includes lock housing, cylinder core, (2) keys, set screws, bezel, 23-5/8" aluminum bar and (2) bar guides. Key can be removed in locked or unlocked position. Die cast zinc alloy construction with nickel finish. Requires 3/4" drill hole for installation. 50 per case.

Front Mount. Features 180° rotary lifting pin movement.

Product Code	Description	Application	List	Each	Case
74-71-110	Side mount	Desk drawer	\$11.52	\$6.92	\$6.40
74-71-112	Front mount	Multiple drawers	11.84	7.11	6.58

Keys & Cores



Product Code	Description	Color	Case Qty.	List	Each	Case
74-71-100	M1 master key	Blue	100	\$2.42	\$1.46	\$1.35
74-71-102	M1 core removal key	Red	100	2.42	1.46	1.35
74-71-158	M1 core and mixed key (0001-1000)	Nickel	50	3.76	2.26	2.09
74-71-160	M1 core and 2 keys (0001)	Nickel	50	3.76	2.26	2.09
74-71-223	M1 core and 2 keys (0003)	Brass	50	4.06	2.44	2.26
74-71-164	M1 core and 2 keys (0001)	Black	50	3.92	2.36	2.18

Additional key numbers available and in stock.



Wire Grommets

Round

Plastic construction. Includes cover.

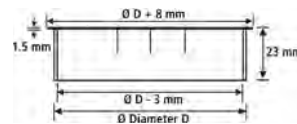


Product Code	Diameter		Color	List	1-49	50-99	100+
	In.						
77-24-148	1		White	\$1.34	\$0.83	\$0.77	\$0.72
77-24-151	1		Black	1.34	0.83	0.77	0.72
77-24-154	1		Brown	1.34	0.83	0.77	0.72
77-24-157	1		Almond	1.34	0.83	0.77	0.72
77-24-160	1		Gray	1.34	0.83	0.77	0.72
77-24-133	1-1/2		White	1.66	1.03	0.95	0.89
77-24-136	1-1/2		Black	1.66	1.03	0.95	0.89
77-24-139	1-1/2		Brown	1.66	1.03	0.95	0.89
77-24-142	1-1/2		Almond	1.66	1.03	0.95	0.89
77-24-145	1-1/2		Gray	1.66	1.03	0.95	0.89
77-24-161	1-3/4		White	1.82	1.13	1.04	0.97
77-24-162	1-3/4		Black	1.82	1.13	1.04	0.97
77-24-163	1-3/4		Brown	1.82	1.13	1.04	0.97
77-24-165	1-3/4		Gray	1.82	1.13	1.04	0.97
77-24-118	2		White	1.98	1.22	1.13	1.05
77-24-121	2		Black	1.98	1.22	1.13	1.05
77-24-124	2		Brown	1.98	1.22	1.13	1.05
77-24-127	2		Almond	1.98	1.22	1.13	1.05
77-24-130	2		Gray	1.98	1.22	1.13	1.05
77-24-103	2-1/2		White	2.24	1.38	1.28	1.19
77-24-106	2-1/2		Black	2.24	1.38	1.28	1.19
77-24-109	2-1/2		Brown	2.24	1.38	1.28	1.19
77-24-112	2-1/2		Almond	2.24	1.38	1.28	1.19
77-24-115	2-1/2		Gray	2.24	1.38	1.28	1.19
77-24-088	3		White	2.60	1.61	1.49	1.39
77-24-091	3		Black	2.60	1.61	1.49	1.39
77-24-094	3		Brown	2.60	1.61	1.49	1.39
77-24-097	3		Almond	2.60	1.61	1.49	1.39
77-24-100	3		Gray	2.60	1.61	1.49	1.39



Wire Grommets

Zinc Alloy



Features snap-in cover. Bristle hair cable management. 2-3/8" (60mm) diameter.

Product Code	Finish	List	1-9	10+
77-24-180	Matte Black	\$22.86	\$12.70	\$11.83
77-24-181	Matte chrome	26.06	14.48	13.48
77-24-182	Polished chrome	27.62	15.35	14.29

CUSTOM ACCENTS

Wire Grommets

Round

For managing wire and cable feeds to desktops. 3-piece top allows hole adjustment. 25mm depth.



Product Code	Top Diameter mm	Color	List	1-49	50-99	100+
50mm Base Diameter						
77-24-001	61	Black	\$1.58	\$1.05	\$0.97	\$0.90
77-24-004	61	White	1.58	1.05	0.97	0.90
77-24-007	61	Brown	1.58	1.05	0.97	0.90
77-24-010	61	Gray	1.58	1.05	0.97	0.90
77-24-013	61	Almond	1.58	1.05	0.97	0.90
60mm Base Diameter						
77-24-016	71	Black	1.88	1.25	1.15	1.07
77-24-019	71	White	1.88	1.25	1.15	1.07
77-24-022	71	Brown	1.88	1.25	1.15	1.07
77-24-025	71	Gray	1.88	1.25	1.15	1.07
77-24-028	71	Almond	1.88	1.25	1.15	1.07
80mm Base Diameter						
77-24-031	91	Black	2.16	1.43	1.32	1.23
77-24-034	91	White	2.16	1.43	1.32	1.23
77-24-037	91	Brown	2.16	1.43	1.32	1.23
77-24-040	91	Gray	2.16	1.43	1.32	1.23
77-24-043	91	Almond	2.16	1.43	1.32	1.23

Wire Grommets

Flexigrom®

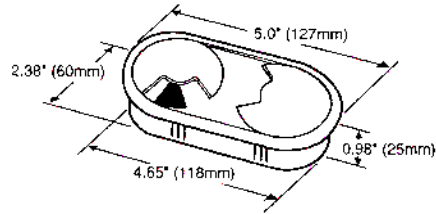
For managing wire and cable feeds to desktops. Flexible top. One-piece construction eliminates lost inserts. 100 per case.



Product Code	Base Diameter mm	Color	List	1-49	50-99	100+
77-24-166	60	Black	\$2.02	\$1.35	\$1.25	\$1.16
77-24-167	60	White	2.02	1.35	1.25	1.16
77-24-168	60	Brown	2.02	1.35	1.25	1.16
77-24-169	60	Gray	2.02	1.35	1.25	1.16
77-24-170	60	Almond	2.02	1.35	1.25	1.16
77-24-171	80	Black	2.38	1.58	1.46	1.36
77-24-172	80	White	2.38	1.58	1.46	1.36
77-24-173	80	Brown	2.38	1.58	1.46	1.36
77-24-174	80	Gray	2.38	1.58	1.46	1.36
77-24-175	80	Almond	2.38	1.58	1.46	1.36

CUSTOM ACCENTS

Wire Grommets Oval



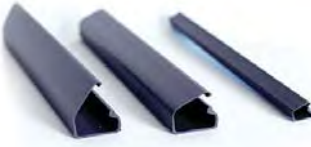
For managing wire and cable feeds to desktops. 3-piece top allows hole adjustment. 100 per case.

Product Code	Color	List	1-49	50-99	100+
77-24-046	Black	\$2.76	\$1.83	\$1.69	\$1.57
77-24-049	White	2.76	1.83	1.69	1.57
77-24-052	Gray	2.76	1.83	1.69	1.57



Trash Grommets Black

Product Code	Size In.	List	1-49	50-99	100+
77-24-101	6	\$6.92	\$4.10	\$3.96	\$3.69



Wire Channels

Allows wires to be hidden from view.

Product Code	Description	Case Qty.	List	1-9	10-19	20+
77-40-008	Latching wire channel, 1-1/2" W x 96" L	10	\$21.70	\$14.47	\$13.35	\$12.40
77-40-011	Latching wire clip, 1-1/2" W x 1" L	1000	0.50	0.33	0.31	0.29

Visit our Web site at
www.aetnaplywood.com!

Cabinet Hanging Rails



Hanging Rail

Hanging Rails

Electro-plated steel construction. 25 per case.

Product Code	Length Ft.	List	Each	Case
77-46-123	8	\$6.96	\$3.98	\$3.71



Rail Cover

Rail Covers

8-ft. length. 50 per case.

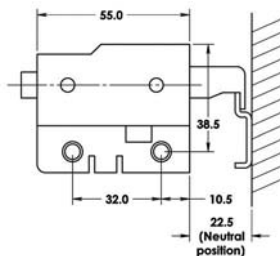
Product Code	Color	List	Each	Case
77-46-126	Almond	\$3.90	\$2.25	\$2.11
77-46-127	White	3.90	2.25	2.11
77-46-128	Brown	4.08	2.25	2.11
77-46-132	Black	4.08	2.25	2.11



Hanging Brackets

Screw Mount

For use with steel rails, hooks or wooden rails. Metal construction. Features cross-slotted screws for up to 14mm height and 11mm depth adjustment. Attaches with Euro screws. Nickel finish. 200 per case.



Product Code	Mounting Side	List	Each	Case
77-46-111	Left	\$1.58	\$1.02	\$0.92
77-46-107	Right	1.58	1.02	0.92



Cover Caps

Fits over hanging bracket housing. 200 per case.

Product Code	Mounting Side	Finish	List	Each	Case
77-46-407	Left	Almond	\$0.34	\$0.23	\$0.21
77-46-406	Right	Almond	0.34	0.23	0.21
77-46-405	Left	Brown	0.34	0.23	0.21
77-46-404	Right	Brown	0.34	0.23	0.21
77-46-403	Left	White	0.34	0.23	0.21
77-46-402	Right	White	0.34	0.23	0.21
77-46-408	Left	Black	0.34	0.23	0.21
77-46-409	Right	Black	0.34	0.23	0.21
77-46-411	Left	Gray	0.34	0.23	0.21
77-46-410	Right	Gray	0.34	0.23	0.21
77-46-413	Left	Light Brown	0.34	0.23	0.21
77-46-412	Right	Light Brown	0.34	0.23	0.21

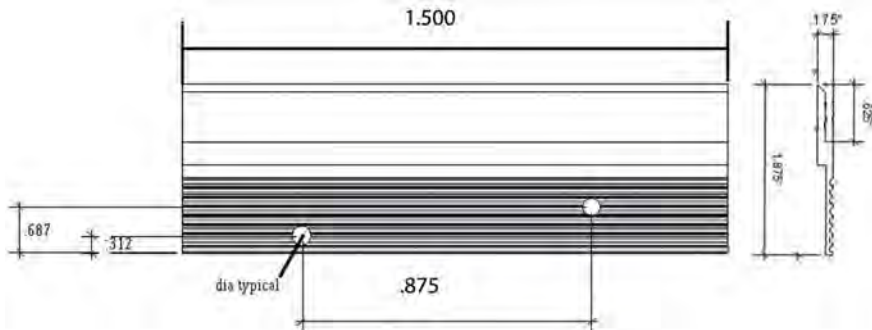
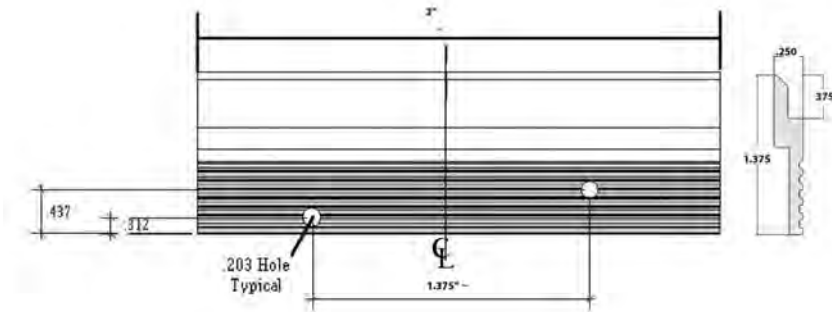
Panel Clips



3/8" Offset



5/8" Offset

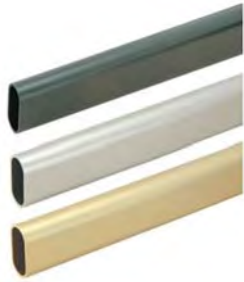


These aluminum clips are simple to use and cost effective. Allows for easy removal of panels if needed. Available in 2 offsets and multiple lengths. Extremely strong. Load limits are dependent on construction material and type and quality of fasteners used. 144" (12ft) lengths are only available via Will Call or delivered via truck. If shipped common carrier additional shipping fees will apply. Not able to be shipped via UPS due to length restrictions.

Product Code	Offset	Length	Case Qty.	List	Each	Case
With Mounting Holes						
77-46-360	3/8"	2"	500	\$0.44	\$0.26	\$0.25
77-46-370	5/8"	1-1/2"	500	0.44	0.26	0.25
Without Mounting Holes						
77-46-362	3/8"	72"	40	10.80	6.36	5.93
77-46-366	3/8"	144"	20	20.86	12.29	11.47
77-46-372	5/8"	72"	40	10.14	5.98	5.58
77-46-376	5/8"	144"	20	20.30	11.96	11.16

We carry products from the world's largest and best manufacturers.

Centralize your purchases with us!



Closet Rods

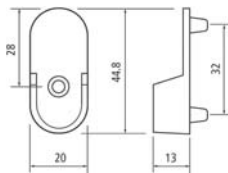
Oval – Seamless – Aluminum

16 gauge construction. Measures 1-3/16" H x 19-32" W (30mm x 15mm). 8-ft. length.

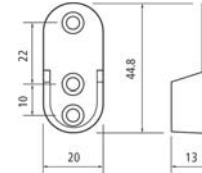
Product Code	Finish	Case Qty.	List	Each	Case
77-46-295	Dull brass	20	\$21.22	\$11.75	\$11.34
77-46-296	Dull chrome	20	18.20	10.08	9.73
77-46-297	Dull nickel	20	18.20	10.08	9.73
77-46-298	Matte black	20	18.20	10.08	9.73
77-46-299	Oil rubbed bronze	20	19.66	10.89	10.52

Closet Rod Supports

Oval



5mm Dowel



Screw-on

Zinc alloy construction. For 30mm x 15mm oval rods. 100 per case.

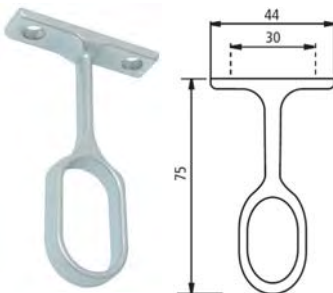
Product Code	Mounting Type	Finish	List	Each	Case
77-46-322	5mm Dowel	Dull brass	\$1.36	\$0.82	\$0.74
77-46-321	5mm Dowel	Dull chrome	1.36	0.82	0.74
77-46-320	5mm Dowel	Dull nickel	1.36	0.82	0.74
77-46-323	5mm Dowel	Matte black	1.16	0.70	0.63
77-46-324	5mm Dowel	Oil rubbed bronze	1.36	0.82	0.74
77-46-327	Screw-on	Dull brass	1.24	0.74	0.67
77-46-326	Screw-on	Dull chrome	1.24	0.74	0.67
77-46-325	Screw-on	Dull nickel	1.24	0.74	0.67
77-46-328	Screw-on	Matte black	1.00	0.60	0.54
77-46-329	Screw-on	Oil rubbed bronze	1.24	0.74	0.67



Closet Rod Center Supports

Center

Closed type. Screw mount. 100 per case.



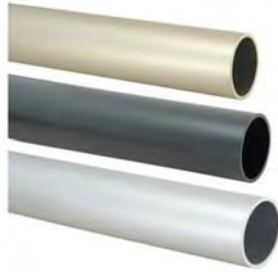
Product Code	Finish	List	Each	Case
Oval – For Rod Dim. 1-1/8" x 5/8"				
77-46-336	Dull brass	\$1.70	\$1.02	\$0.92
77-46-337	Dull chrome	1.70	1.02	0.92
77-46-338	Dull nickel	1.70	1.02	0.92
77-46-339	Matte black	1.32	0.79	0.71
77-46-340	Oil rubbed bronze	1.32	0.79	0.71

U.S. Futaba, Inc.

Closet Rods

Round – Seamless – Aluminum

14 gauge construction. 2mm thickness.



Product Code	Diameter In.	Length Ft.	Finish	Case Qty.	List	Each	Case
77-46-290	1-5/16	8	Dull brass	20	\$35.32	\$19.56	\$18.89
77-46-291	1-5/16	8	Dull chrome	20	30.68	16.99	16.40
77-46-292	1-5/16	8	Dull nickel	20	30.68	16.99	16.40
77-46-293	1-5/16	8	Matte black	20	34.74	19.23	18.57
77-46-294	1-5/16	8	Oil rubbed bronze	20	36.50	20.20	19.51

Closet Rod Supports

Round

Zinc alloy construction. 100 per case. Screws included.



1-5/16" Screw-On Closed



1-5/16" Screw-On Open



1-5/16" Knock-In Closed



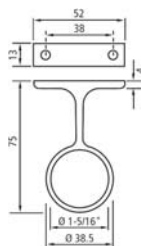
1-5/16" Knock-In Open

Product Code	For Rod Diameter In.	Finish	List	Each	Case
Screw-On Closed					
77-46-300	1-5/16	Dull nickel	\$3.80	\$2.27	\$2.03
77-46-301	1-5/16	Dull chrome	3.80	2.27	2.03
77-46-302	1-5/16	Dull brass	3.80	2.27	2.03
77-46-303	1-5/16	Matte black	3.48	2.08	1.87
77-46-304	1-5/16	Oil rubbed bronze	3.80	2.27	2.03
Screw-On Open					
77-46-305	1-5/16	Dull nickel	3.92	2.34	2.10
77-46-306	1-5/16	Dull chrome	3.92	2.34	2.10
77-46-307	1-5/16	Dull brass	3.92	2.34	2.10
77-46-308	1-5/16	Matte black	3.56	2.13	1.91
77-46-309	1-5/16	Oil rubbed bronze	3.92	2.34	2.10
Knock-In Closed					
77-46-310	1-5/16	Dull nickel	2.38	1.42	1.27
77-46-311	1-5/16	Dull chrome	2.64	1.57	1.41
77-46-312	1-5/16	Dull brass	2.64	1.57	1.41
77-46-313	1-5/16	Matte black	2.40	1.44	1.29
77-46-314	1-5/16	Oil rubbed bronze	2.64	1.57	1.41
Knock-In Open					
77-46-315	1-5/16	Dull nickel	1.98	1.19	1.07
77-46-316	1-5/16	Dull chrome	2.22	1.33	1.19
77-46-317	1-5/16	Dull brass	2.22	1.33	1.19
77-46-318	1-5/16	Matte black	1.94	1.16	1.04
77-46-319	1-5/16	Oil rubbed bronze	2.22	1.33	1.19

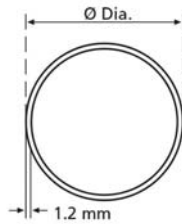
Closet Rod Center Supports

Center

Closed type. Screw mount. 100 per case.



Product Code	Finish	List	Each	Case
Round – For Rod ø 1-5/16"				
77-46-330	Dull brass	\$2.14	\$1.28	\$1.15
77-46-331	Dull chrome	2.14	1.28	1.15
77-46-332	Dull nickel	2.14	1.28	1.15
77-46-333	Matte black	1.72	1.04	0.93
77-46-334	Oil rubbed bronze	1.72	1.04	0.93



Closet Rods Round – Seamless – Steel

18 gauge construction. 1.2mm thickness.

Product Code	Diameter In.	Length Ft.	Case Qty.	List	Each	Case
77-46-059	1-1/16	8	10	\$11.96	\$9.97	\$8.86
77-46-080*	1-1/16	12	10	191.02	-	136.45

* Sold only in full case qty. Must be picked up or delivered on Aetna trucks.



1-1/16" Screw-On Closed



1-1/16" Screw-On Open

Closet Rod Supports Round – Chrome

Zinc alloy construction. 100 per case.

Product Code	For Rod Diameter In.	Finish	List	Each	Case
Screw-On Closed					
77-46-083	1-1/16	Chrome	\$0.96	\$0.77	\$0.67
Screw-On Open					
77-46-095	1-1/16	Chrome	1.50	1.20	1.04

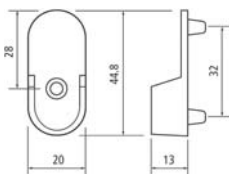


Closet Rods Oval – Seamless – Steel

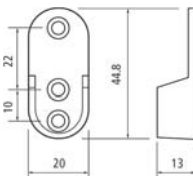
20 gauge construction. Measures 1-3/16" H x 19-32" W (30mm x 15mm). Chrome.

Product Code	Length	Case Qty.	List	Each	Case
Steel*					
77-46-071	8'	10	\$7.18	\$5.99	\$5.13
77-46-078*	12'	10	127.32	-	97.94

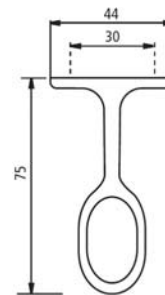
* Sold only in full case qty. Must be picked up or delivered on Aetna trucks.



5mm Dowel



Screw-on



Closet Rod Supports Oval

Zinc alloy construction. For 30mm x 15mm oval rods. 100 per case.

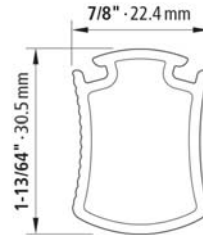
Product Code	Mounting Type	Finish	List	Each	Case
77-46-058	Screw-on	Chrome	\$0.56	\$0.40	\$0.39
77-46-067	5mm Dowel	Chrome	0.40	0.34	0.29
77-46-335	Center Support	Chrome	1.84	1.10	0.98



U.S. Futaba, Inc.



Closet Rods Hourglass – Aluminum

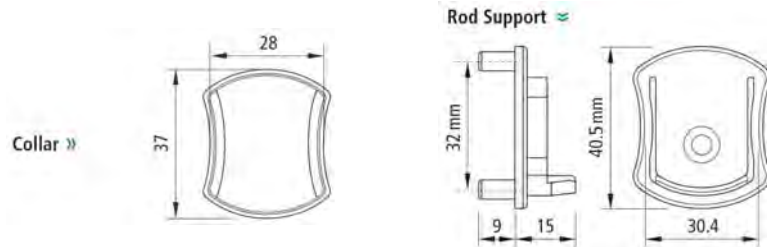


Material Thickness: .07" - 1.8 mm - 15 gauge. Seamless. Unique hourglass shape. Reversible design, ribbed on one side, smooth on one side. Includes a protective clear strip. Locking collar secures the rod in position. Dimensions: 1-13/64"H x 7/8"W x 8'L. 10 per case.

Product Code	Finish	List	Each	Case
77-46-420	Dull Chrome	\$36.28	\$20.73	\$19.35
77-46-421	Dull Nickel	36.28	20.73	19.35
77-46-422	Oil Rubbed Bronze	36.28	20.73	19.35

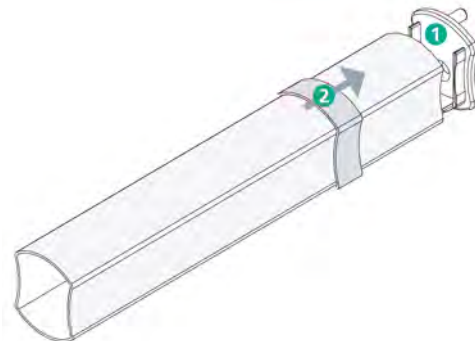


Closet Rod Supports Hourglass – Aluminum



Installation

Insert support mounting base to desired height. Cut rod to desired length. Slide collars onto closet rod ends. Place closet rod onto support mounting base (1) and slide collar (2) over support mounting base to secure in place.

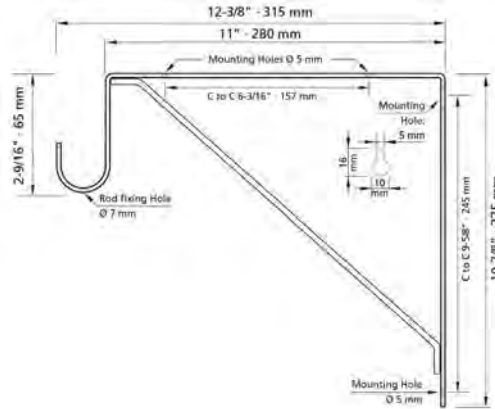


2 Piece design (Support + Collar). 32 mm system with 5mm pins. Hole for fixing screw. Covers rod ends for a clean appearance. Easy repositioning for added flexibility. 50 per case.

Product Code	Finish	List	Each	Case
77-46-425	Dull Chrome	\$3.52	\$2.01	\$1.88
77-46-426	Dull Nickel	3.52	2.01	1.88
77-46-427	Oil Rubbed Bronze	3.52	2.01	1.88



Closet Rod & Shelf Supports Round – 1-5/16"

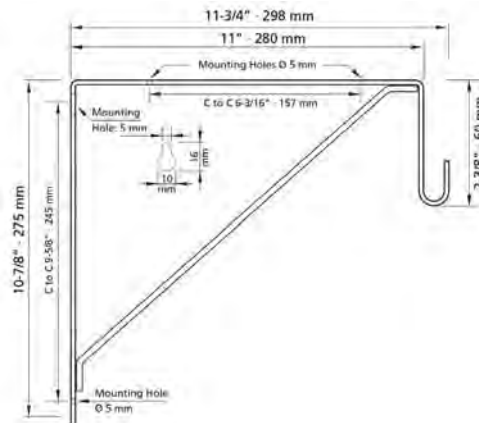


Attractive matching finish. Steel, 3 mm thickness. Supports round rod up to 1-5/16" (34mm) diameter. Shelf material up to 14" deep. Load capacity: 110 lbs - 50 kgs. Rod fixing hole. Screws not included. Dimensions: 10-7/8"H x 1"W x 12-3/8"D. 10 per case.

Product Code	Finish	List	Each	Case
77-46-430	Chrome	\$7.03	\$4.02	\$3.75
77-46-431	Dull Brass	7.03	4.02	3.75
77-46-432	Dull Chrome	7.03	4.02	3.75
77-46-433	Dull Nickel	7.03	4.02	3.75
77-46-434	Matte Black	7.03	4.02	3.75
77-46-435	Oil Rubbed Bronze	7.03	4.02	3.75
77-46-436	White	7.03	4.02	3.75



Closet Rod & Shelf Supports Oval



Attractive matching finish. Steel, 3 mm thickness. Supports 30 x 15mm oval rod. Shelf material up to 14" deep. Load capacity: 110 lbs - 50 kgs. Screws not included. Dimensions: 10-7/8"H x 1"W x 11-3/4"D. 10 per case.

Product Code	Finish	List	Each	Case
77-46-440	Chrome	\$7.03	\$4.02	\$3.75
77-46-441	Dull Brass	7.03	4.02	3.75
77-46-442	Dull Chrome	7.03	4.02	3.75
77-46-443	Dull Nickel	7.03	4.02	3.75
77-46-444	Matte Black	7.03	4.02	3.75
77-46-445	Oil Rubbed Bronze	7.03	4.02	3.75
77-46-446	White	7.03	4.02	3.75





Ironing Boards

Supra – Vasa®

For face frame or frameless cabinets in kitchens, laundry rooms and closets. 4-3/4" height clearance. Includes board cover.

Ironing Boards

Product Code	Minimum Inside Cabinet Dimensions mm W x D	Board Dimensions mm L x W	List	Each
77-46-261	362 x 500	950 x 300	\$280.75	\$185.66

Accessories

Product Code	Desc.	List	Each
77-46-262	Replacement ironing board cover	\$40.82	\$25.06



Closet Rod Pull Down Mechanisms

Single

For installation on side wall of closet or cabinet. Gray. Includes mounting plate, distance plate, base and lift arm, hanger pipe, top and end cap, pull bar and grip, and mounting screw. 756mm H x 795mm W.

Product Code	Mounting Side	Load Capacity	List	Each
77-46-081	Right	17.6 lbs.	\$279.54	\$148.50
77-46-082	Left	17.6 lbs.	279.54	148.50



Closet Rod Pull Down Mechanisms

Double

For installation on side walls of closet or cabinet, using full width. Gray. Includes mounting plates, distance plates, bases and lift arms, adjustable-length hanger pipe and end cap, pull bar and grip, and mounting screws.

Product Code	Load Capacity	Height mm	Width mm	List	Each
77-46-076	33 lbs.	752	800 to 1180	\$491.78	\$261.25



Closet Rod Lift Mechanisms

T-Type

For front-facing installation in closet or cabinet. Gray. Includes mounting plate, base and lift arm, hanger pipe with (2) top caps, pull bar and grip.

Product Code	Load Capacity	List	Each
77-46-085	17.6 lbs.	\$269.18	\$143.00



Heavy Duty Standards

80 Series

Standards can be mounted to most any type of wall. 80 series standards and 180 series brackets offer the widest range of color and sizes of all KV™ shelving systems. Reinforced brackets lock into slotted standards for strong, secure, weight-bearing support. Brackets are vertically adjustable in 1" increments. Dimensions: 5/8" wide x 13/32" deep. 16-gauge steel construction. Holds up to 320lbs per pair. BHMA Grade 2 compliant. Made in the USA. Anochrome Finish. 10 per case.

Product Code	Length In.	List	1-9	10-49	50 +
80 Standards					
76-79-510	12	\$3.24	\$1.84	\$1.73	\$1.62
76-79-511	18	3.70	2.10	1.97	1.85
76-79-512	24	3.66	2.07	1.83	1.77
76-79-513	36	5.38	3.27	2.69	2.62
76-79-514	48	7.14	4.34	3.57	3.47
76-79-515	60	8.76	5.32	4.38	4.26
76-79-516	72	9.96	6.05	4.98	4.84
76-79-517	84	12.26	6.95	6.13	5.95
76-79-518	96	14.04	7.70	7.02	6.82

Other Finishes Available

Heavy Duty Brackets

180 Series

16-gauge steel construction: 4"- 12" brackets. 14-gauge steel construction: 14" - 20" brackets. Vertically adjustable in 1" increments. Made in the USA. Anochrome finish. 10 per case

Product Code	Length In.	List	1-9	10-49	50 +
180 Brackets					
76-79-100	4	\$3.14	\$1.78	\$1.67	\$1.57
76-79-101	6	2.82	1.59	1.50	1.41
76-79-102	8	2.86	1.63	1.52	1.43
76-79-103	10	3.12	1.76	1.65	1.56
76-79-104	12	3.46	1.96	1.84	1.73
76-79-105	14	3.84	2.18	2.04	1.92
76-79-106	16	4.66	2.64	2.47	2.33
76-79-107	18	5.34	3.02	2.83	2.67
76-79-108	20	6.16	3.50	3.28	3.08

Other Finishes Available





Heavy Duty Standards

82 Series

Standards can be mounted to any type of wall. 82 series standards and 182 series brackets offer smooth and rounded corners, giving a softer and less intrusive appearance without compromising the strength needed to hold heavy loads. The recessed groove design provides a streamlined surface where the bracket meets the standard. Double-lug bracket design helps prevent shelves and contents from falling if bumped. A broad range of standard and bracket sizes support virtually any size shelf, from 6" to 24" deep. Brackets are vertically adjustable in 1" increments. Dimensions: 1-1/16" wide x 11/16" deep. 14 gauge steel construction. Holds up to 450lbs per pair. BHMA Grade 2 compliant. Made in the USA. 10 per case.



Product Code	Length In.	List	1-9	10-49	50 +
82 Standards					
White					
76-79-542	16.5	\$4.40	\$2.60	\$2.42	\$2.27
76-79-543	28	6.32	3.73	3.48	3.26
76-79-544	39	8.30	4.90	4.57	4.28
76-79-545	48	10.38	6.11	5.70	5.35
76-79-546	63	13.54	7.98	7.45	6.99
76-79-547	78	16.46	9.64	9.02	8.48
76-79-548	94	20.98	12.29	11.50	10.8
Black					
76-79-549	16.5	4.40	2.60	2.42	2.34
76-79-550	28	6.32	3.73	3.48	3.37
76-79-551	39	8.30	4.90	4.57	4.42
76-79-552	48	10.38	6.11	5.70	5.52
76-79-553	63	13.54	7.98	7.45	7.21
76-79-554	78	16.96	9.99	9.32	9.02
76-79-555	94	21.60	12.73	11.88	11.14

Other Finishes Available

Heavy Duty Brackets

182 Series

16 gauge steel construction. Vertically adjustable in 1-1/4" increments. Has 4 locking teeth. Made in the USA. 10 per case.



Product Code	Length In.	List	1-9	10-49	50 +
182 Brackets					
White					
76-79-184	5	\$2.70	\$1.69	\$1.48	\$1.39
76-79-185	7	3.04	1.91	1.67	1.57
76-79-186	9	3.44	2.15	1.88	1.77
76-79-187	10.5	4.20	2.60	2.36	2.1
76-79-188	12.5	4.48	2.78	2.52	2.24
76-79-189	14.5	5.22	3.24	2.93	2.61
76-79-190	18.5	8.36	5.19	4.70	4.18
76-79-191	24	11.30	6.56	6.35	5.65
Black					
76-79-199	7	2.86	1.79	1.57	1.48
76-79-200	9	3.44	2.15	1.88	1.77
76-79-201	10.5	4.04	2.51	2.27	2.02
76-79-202	12.5	4.32	2.68	2.43	2.16
76-79-203	14.5	5.04	3.13	2.83	2.52
76-79-204	18.5	8.18	5.08	4.60	4.09
76-79-205	24	11.16	6.49	6.28	5.58

Other Finishes Available



KNAPE & VOGT

Heavy Duty Oversized Standards

83 Series

The oversized width of the 83 Series oversized standard provides added strength and stability to allow for heavier weight loads. These standards are compatible with 1" vertically adjustable brackets. The 183 series flanged brackets are designed with flanges containing keyhole style mounting holes to allow the quick and easy mounting of shelving. Brackets and shelving remain firmly in place when used in applications that involve heavy usage. Use with the 83 series oversized standards for optimal installation. Dimensions: 3/4" wide x 1/2" deep. 14-gauge steel construction. Holds up to 460lbs per pair. BHMA Grade 2 compliant. Made in the USA.



Product Code	Length In.	List	1-9	10-49	50 +
83 Standard					
76-79-557	24	\$5.60	\$3.40	\$3.17	\$2.98
76-79-558	36	7.66	4.65	4.34	4.07
76-79-559	48	10.22	6.21	5.80	5.43
76-79-560	60	12.46	7.52	6.81	6.41
76-79-561	72	14.86	8.96	8.12	7.64
76-79-562	84	17.42	10.52	9.53	8.97
76-79-563	96	19.88	11.99	10.87	10.23

Other Finishes Available

Heavy Duty Oversized Brackets

183 Series

16-gauge steel construction. Vertically adjustable in 1" increments. Flanges make attachment of wood shelves to brackets quick and simple. Double flange (Center) support for joining two shelves. Made in the USA. 10 per case.



Product Code	Length In.	List	1-9	10-49	50 +
183 Bracket- Right Hand					
76-79-208	8	\$6.28	\$3.65	\$3.54	\$3.33
76-79-209	10	6.92	4.02	3.90	3.67
76-79-210	12	7.66	4.45	4.21	3.97
76-79-211	14	8.74	5.07	4.80	4.52
76-79-212	16	9.96	5.79	5.47	5.16
76-79-213	18	11.10	6.44	6.09	5.74
76-79-214	20	12.20	7.08	6.69	6.31
183 Bracket- Left Hand					
76-79-215	8	6.28	3.65	3.54	3.33
76-79-216	10	6.92	4.02	3.90	3.67
76-79-217	12	7.66	4.45	4.21	3.97
76-79-218	14	8.74	5.07	4.80	4.52
76-79-219	16	9.96	5.79	5.47	5.16
76-79-220	18	11.10	6.44	6.09	5.74
76-79-221	20	12.20	7.08	6.69	6.31
183 Bracket- Center					
76-79-222	8	9.84	5.61	5.37	5.21
76-79-223	10	10.36	5.90	5.65	5.48
76-79-224	12	11.16	6.36	6.09	5.91
76-79-225	14	12.26	6.99	6.69	6.49
76-79-226	16	13.58	7.73	7.40	7.02
76-79-227	18	15.02	8.56	8.20	7.77
76-79-228	20	16.36	9.32	8.92	8.46

Other Finishes Available





Extra Duty Standards

85 Series

A broad range of sizes accommodates virtually any configuration and can be quickly adjusted to changing storage needs. The double lug pattern and double slot design is built to withstand high weight load demands. Accessories for the 85 series standard & 185 series bracket system allow use with hang rods, attachment of decorative panels for store fixturing needs, or to create long extended runs of shelving. 180 Series Brackets and all other KV 1" adjustable brackets can also be used with 85 series standards. Dimensions: 1-1/4" wide x 1/2" deep. 16-gauge steel construction. BHMA Grade 2 compliant. Holds up to 680lbs per pair. Made in the USA.



Product Code	Length In.	List	1-9	10-49	50 +
85 Standards					
Anochrome					
76-79-565	24	\$5.18	\$3.22	\$2.92	\$2.75
76-79-566	36	7.76	4.82	4.37	4.11
76-79-567	48	10.42	6.47	5.87	5.52
76-79-568	60	12.86	7.98	7.23	6.81
76-79-569	72	15.58	9.35	8.55	8.25
76-79-570	84	18.00	10.79	9.87	9.52
76-79-571	96	20.64	12.39	11.33	10.93
White					
76-79-572	24	5.18	3.22	2.92	2.75
76-79-573	36	7.76	4.82	4.37	4.11
76-79-574	48	10.42	6.47	5.87	5.52
76-79-575	60	12.86	7.98	7.23	6.81
76-79-576	72	15.58	9.35	8.55	8.25
76-79-577	84	18.00	10.79	9.87	9.52
76-79-578	96	20.64	12.39	11.33	10.93

Other Finishes Available

Extra Duty Brackets

185 Series

16-gauge steel construction: 8"- 12" brackets. 14-gauge steel construction: 14" - 24" brackets. Shelf retaining clip on brackets. Has 4 locking teeth and 2 ears. Vertically adjustable in 1" increments. Made in the USA. 10 per case.



Product Code	Length In.	List	1-9	10-49	50 +
185 Brackets					
Anochrome					
76-79-229	8	\$9.00	\$5.40	\$5.06	\$4.76
76-79-230	10	9.44	5.66	5.31	4.99
76-79-231	12	10.06	6.04	5.66	5.33
76-79-232	14	10.64	6.38	5.98	5.63
76-79-233	16	11.28	6.54	6.15	5.86
76-79-234	18	12.04	6.99	6.57	6.26
76-79-235	20	13.36	7.76	7.29	6.95
76-79-236	22	19.06	11.07	10.40	9.92
76-79-237	24	20.12	11.68	10.97	10.46
White					
76-79-238	8	9.00	5.40	5.06	4.76
76-79-239	10	9.44	5.66	5.31	4.99
76-79-240	12	10.06	6.04	5.66	5.33
76-79-241	14	10.64	6.38	5.98	5.63
76-79-242	16	11.28	6.76	6.34	5.97
76-79-243	18	12.04	7.22	6.77	6.37
76-79-244	20	13.36	8.02	7.52	7.08
76-79-245	22	19.06	11.44	10.72	10.09
76-79-246	24	20.12	12.07	11.31	10.65

Other Finishes Available



Super Duty Standards

87 Series

12-gauge steel construction: Anochrome and White. 14-gauge 304-grade stainless steel construction: Stainless Steel and Galvanized Steel. Reinforced brackets lock into slotted standards that mount to every type of wall. To ensure the brackets stay in place and the shelving remains stable, every bracket includes an easy-to-operate lock mechanism. Strong, durable, secure weight-bearing support. Dimensions: 7/8" wide x 11/16" deep. BHMA Grade 2 compliant. Holds up to 1060lbs per pair. Made in the USA. 5 per case.



Product Code	Length In.	List	1-9	10-49	50 +
87 Standards					
White					
76-79-582	24	\$9.66	\$5.43	\$5.11	\$4.97
76-79-583	36	14.50	8.15	7.67	7.45
76-79-584	48	19.34	10.88	10.24	9.95
76-79-585	60	24.00	13.50	12.70	12.34
76-79-586	72	28.80	16.20	15.25	14.81
76-79-587	84	33.70	18.96	17.85	17.34
76-79-588	96	38.70	21.76	20.48	19.90
Anochrome					
76-79-589	24	9.66	5.43	5.11	4.97
76-79-590	36	14.50	8.15	7.67	7.45
76-79-591	48	19.34	10.88	10.24	9.95
76-79-592	60	24.00	13.50	12.70	12.34
76-79-593	72	28.80	16.20	15.25	14.81
76-79-594	84	33.70	18.96	17.85	17.34
76-79-595	96	38.66	21.75	20.47	19.89
304 Stainless Steel					
76-79-597	36	56.78	31.94	30.06	29.20
76-79-598	48	82.60	46.46	43.73	42.48
76-79-599	60	121.44	68.31	64.29	62.45
76-79-600	72	151.16	85.03	80.03	77.74

Other Finishes Available

We have four locations to serve you:

- Maywood, IL
- Rockford, IL
- Indianapolis, IN
- White Bear Lake, MN





Super Duty Brackets

187 Series

12-gauge steel construction: Anochrome and White. 14-gauge 304-grade stainless steel construction: Stainless Steel and Galvanized Steel. Vertically adjustable in 2" increments. Unique, single molded, nylon, cam lock lever allows for easy installation while securing bracket to standard. 187 brackets include 3 lugs for additional support. Made in the USA. 10 per case.



Product Code	Length In.	List	1-9	10-49	50 +
187 Brackets					
White					
76-79-255	8	\$7.76	\$4.24	\$4.00	\$3.88
76-79-256	10	8.20	4.48	4.22	4.10
76-79-257	12	10.20	5.56	5.24	5.10
76-79-258	14	11.02	6.01	5.67	5.51
76-79-259	16	11.98	6.54	6.16	5.99
76-79-260	18	12.58	6.86	6.47	6.29
76-79-261	20	13.68	7.46	7.03	6.84
76-79-262	22	15.56	8.49	8.00	7.78
76-79-263	24	18.74	10.22	9.63	9.37
Anochrome					
76-79-264	8	7.76	4.66	4.37	4.11
76-79-265	10	8.20	4.62	4.34	4.10
76-79-266	12	10.20	5.74	5.40	5.10
76-79-267	14	11.02	6.20	5.83	5.51
76-79-268	16	11.98	6.74	6.35	5.99
76-79-269	18	12.58	7.07	6.66	6.29
76-79-270	20	13.68	7.69	7.24	6.84
76-79-271	22	15.56	8.76	8.24	7.78
76-79-272	24	18.74	10.54	9.92	9.37
304 Stainless					
76-79-273	8	20.86	11.37	10.72	10.43
76-79-274	10	24.54	13.38	12.62	12.27
76-79-275	12	31.72	17.30	16.31	15.86
76-79-276	14	35.54	19.39	18.28	17.77
76-79-277	16	40.10	21.87	20.62	20.05
76-79-278	18	43.30	23.61	22.26	21.65
76-79-279	20	55.94	30.51	28.77	27.97
76-79-280	24	64.58	35.23	33.21	32.29

Other Finishes Available



Work Station Brackets

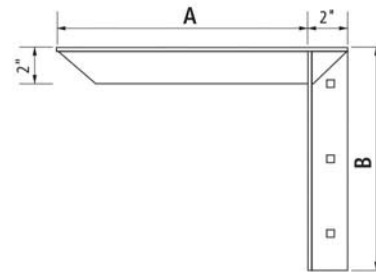
1/8" steel construction. Features multiple 1/4" mounting holes on each side, and 3" x 3", 45° notch for wall cleat and wire clearance. Textured powder coat finish. 1000 lb. capacity.

Product Code	Dimensions In.	Color	Case Qty.	Case		
				List	Each	Case
77-40-332	5 x 8	White	10	\$5.24	\$3.72	\$2.82
77-40-333	5 x 8	Black	10	5.24	3.72	2.82
77-40-318	5 x 8	Almond	10	5.24	3.72	2.82
77-40-334	5 x 8	Gray	10	5.24	3.72	2.82
77-40-330*	8 x 12	White	10	10.04	6.52	5.93
77-40-331*	8 x 12	Black	10	10.04	6.52	5.93
77-40-317	8 x 12	Almond	10	8.98	6.08	4.84
77-40-335	8 x 12	Gray	10	8.98	6.08	4.84
77-40-326	12 x 18	White	6	12.74	7.87	6.85
77-40-327	12 x 18	Black	6	12.74	7.87	6.85
77-40-316	12 x 18	Almond	6	12.74	7.87	6.85
77-40-336	12 x 18	Gray	6	12.74	7.87	6.85
77-40-320	15 x 21	White	6	14.92	9.22	8.04
77-40-321	15 x 21	Black	6	14.92	9.22	8.04
77-40-319	15 x 21	Almond	6	14.92	9.22	8.04
77-40-337	15 x 21	Gray	6	14.92	9.22	8.04
77-40-322	18 x 24	White	6	20.00	11.91	10.72
77-40-323	18 x 24	Black	6	20.00	11.91	10.72
77-40-315	18 x 24	Almond	6	20.00	11.91	10.72
77-40-338	18 x 24	Gray	6	20.00	11.91	10.72
77-40-328	24 x 24	White	6	26.02	15.29	13.96
77-40-329	24 x 24	Black	6	26.02	15.29	13.96
77-40-314	24 x 24	Almond	6	26.02	15.29	13.96
77-40-339	24 x 24	Gray	6	26.02	15.29	13.96
77-40-324	24 x 29	White	4	31.38	18.11	16.82
77-40-325	24 x 29	Black	4	31.38	18.11	16.82
77-40-313	24 x 29	Almond	4	31.38	18.11	16.82
77-40-340	24 x 29	Gray	4	31.38	18.11	16.82
Stainless Steel						
77-40-352	8 x 12	–	10	33.00	18.70	17.54
77-40-353	15 x 21	–	6	75.18	42.60	39.94
77-40-354	18 x 24	–	6	100.06	56.70	53.15

* Without 45° notch.



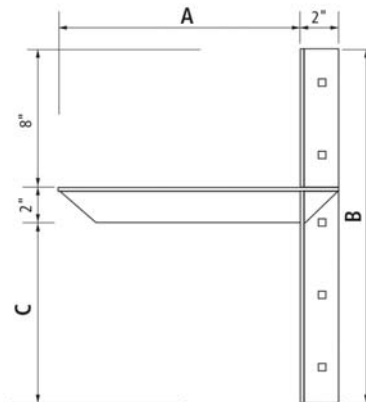
Concealed Brackets Standard



Steel construction. Texture powder coated finish. Load capacity per pair: 1,590 to 4,520 lbs. Square mounting holes to lock bolt in place for single tool tightening. Mounting bolts, nuts, lock & flat washers included (3/8" x 3"). Sold by the pair.

Product Code	Support Arm (A)	Height (B)	Finish	List	1-4 Pair	5+ Pair
77-40-363	9	12	Black	\$73.58	\$42.45	\$39.42
77-40-365	9	12	White	73.58	42.45	39.42
77-40-367	12	12	Black	78.86	45.50	42.25
77-40-369	12	12	White	78.86	45.50	42.25
77-40-371	18	18	Black	97.78	56.42	52.39
77-40-373	18	18	White	97.78	56.42	52.39
77-40-375	24	18	Black	107.30	61.91	57.49
77-40-377	24	18	White	107.30	61.91	57.49

Concealed Brackets Extended

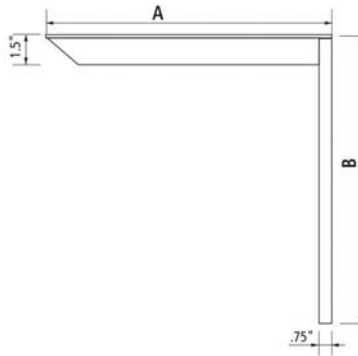


Steel construction. Texture powder coated finish. Load capacity per pair: 1,590 to 4,520 lbs. Square mounting holes to lock bolt in place for single tool tightening. Mounting bolts, nuts, lock & flat washers included (3/8" x 3"). Sold by the pair.

Product Code	Support Arm (A)	Height (B)	Height (C)	Finish	List	1-4 Pair	5+ Pair
77-40-383	9	20	12	Black	\$81.06	\$46.77	\$43.43
77-40-385	9	20	12	White	81.06	46.77	43.43
77-40-387	12	20	12	Black	86.94	50.16	46.58
77-40-389	12	20	12	White	86.94	50.16	46.58
77-40-391	18	26	18	Black	106.18	61.27	56.89
77-40-393	18	26	18	White	106.18	61.27	56.89
77-40-395	24	26	18	Black	118.74	68.51	63.62
77-40-397	24	26	18	White	118.74	68.51	63.62



Concealed Brackets Hybrid



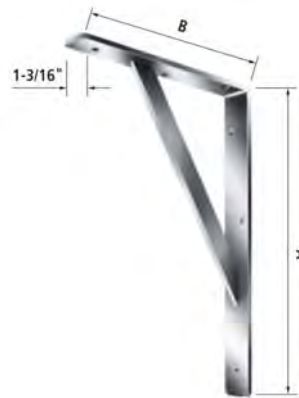
Installation

Concealed applications require ripping a 2 x 4 lengthwise, and mounting the ripped 2 x 4 to the side of a standard 2 x 4 stud. Bracket is then mounted to the recessed (ripped) 2 x 4. Install dry-wall around support arm.

Surface or concealed mounting for floating shelf appearance. Texture powder coated finish. Non-handed. Vertical tubular arm: 1-1/2" (width) x 3/4" (Thickness). Horizontal arm (T-shape): 1-1/2" x 1-1/2". Load rate per pair: 1,050 to 2,200 lbs. Multiple mounting holes on support arm and vertical tube. Includes plastic finishing caps for bottom of tube, and to conceal tube mounting screws. Mounting hardware not included. Packaging: 2 brackets per box. Sold by the pair.

Product Code	Support Arm (A)	Height (B)	Finish	List	1-4 Pair	5+ Pair
77-40-414	12	12	Black	\$65.76	\$37.94	\$35.23
77-40-415	12	12	White	65.76	37.94	35.23
77-40-416	18	18	Black	90.58	52.27	48.53
77-40-417	18	18	White	90.58	52.27	48.53
77-40-418	24	24	Black	114.50	66.07	61.35
77-40-419	24	24	White	114.50	66.07	61.35

Shelf Brackets Heavy-Duty



For support of countertops, bookshelves, closet shelving or work surfaces. 5mm steel construction with epoxy finish. Secures to wall stud with 5/16" lag screws; shelves attach with #8 wood screws (not provided). 500-lb. capacity when properly installed. 10 per case.

Product Code	Dimensions (In.)		Finish	List	1-9	10-19	20+
	A x B						
77-40-303	11-13/16 x 8-1/4		White	\$7.78	\$4.91	\$4.52	\$4.18
77-40-304	15-3/4 x 10-5/8		White	10.80	8.24	7.45	6.80
77-40-305	19-11/16 x 13		White	12.78	9.75	8.82	8.06
77-40-306	21-11/16 x 14-3/16		White	14.94	11.39	10.31	9.41
77-40-307	11-13/16 x 8-1/4		Black	7.78	5.94	5.38	4.91
77-40-308	15-3/4 x 10-5/8		Black	10.80	8.24	7.45	6.80
77-40-309	19-11/16 x 13		Black	12.78	9.75	8.82	8.06
77-40-310	21-11/16 x 14-3/16		Black	14.94	11.39	10.31	9.41

* Non-reversible. Longest dimension is horizontal (shelf) member.

U.S. Futaba, Inc.

Shelf Supports

Bracket Type w/ Sleeve

Vinyl coated steel construction. Plug-in design. Measures 17mm H x 13.5mm W x 18mm D. 1.4mm thick. 1/4" dia. pin. Antique copper/brown finish.



Product Code	UOM	List	1-4	5+
76-78-065	100	\$25.10	\$15.06	\$13.95
76-78-066	1000	200.78	120.47	111.55

Shelf Supports

Bracket Type

Features plug-in design with hole for securing screw. 1.5mm thick.



Product Code	Pin Diameter	Finish	UOM	List	1-4	5+
76-78-004	1/4"	Nickel	100	\$12.86	\$8.04	\$7.42
76-78-005	1/4"	Nickel	1000	118.24	73.90	68.22
76-78-012	1/4"	Brass	100	13.22	8.27	7.64
76-78-013	1/4"	Brass	1000	121.78	76.12	70.27
76-78-020	5mm	Nickel	100	13.38	8.04	7.44
76-78-021	5mm	Nickel	1000	107.14	64.29	59.53
76-78-028	5mm	Brass	100	13.84	8.31	7.69
76-78-029	5mm	Brass	1000	110.66	66.40	61.49

Shelf Supports

Bracket Type w/ Sleeve

3/4" x .245" with screw hole to secure shelves. Antique copper finish.



Product Code	Pin Diameter In.	UOM	List	1-4	5+
76-78-126	1/4	1000	\$146.15	\$84.32	\$78.30

Shelf Supports

Spoon Type

Steel construction. Flat, plug-in design.



Product Code	Finish	UOM	List	1-4	5+
1/4" Pin Diameter					
76-78-032	Nickel	100	\$5.44	\$3.27	\$3.03
76-78-033	Nickel	1000	43.54	26.13	24.20
76-78-036	Brass	100	5.44	3.27	3.03
76-78-037	Brass	1000	43.54	26.13	24.20
5mm Pin Diameter					
76-78-040	Nickel	100	3.92	2.36	2.18
76-78-041	Nickel	1000	31.28	18.77	17.38
76-78-044	Brass	100	3.92	2.36	2.18
76-78-045	Brass	1000	31.28	18.77	17.38
7mm Pin Diameter					
76-78-073	Nickel	100	9.54	5.73	5.31
76-78-074	Nickel	1000	76.38	45.83	42.43
76-78-075	Brass	100	9.54	5.73	5.31
76-78-076	Brass	1000	76.38	45.83	42.43



Shelf Supports

Plastic

Plug-in design. Plastic support with 5mm diameter x 8mm length steel pin.



Product Code	Color	UOM	List	1-4	5+
76-78-052	Clear	100	\$6.08	\$3.65	\$3.38
76-78-053	Clear	1000	48.54	29.12	26.97
76-78-060	White	100	6.08	3.65	3.38
76-78-061	White	1000	48.54	29.12	26.97

Shelf Supports

Thermo-Rubber

Features 5mm dia. pin with 8mm (5/16") length. Prevents slipping of glass and wood shelves.



Product Code	Color	UOM	List	1-4	5+
76-78-014	Black	100	\$27.62	\$15.94	\$14.80
76-78-015	Black	1000	221.12	127.57	118.46
76-78-016	White	100	27.62	15.94	14.80
76-78-017	White	1000	221.12	127.57	118.46
76-78-018	Clear	100	27.62	15.94	14.80

Shelf Supports

Pin Type

Plug-in design. Features 5mm dia. pin.



76-78-070 thru 76-78-072



76-78-081 & 76-78-082



76-78-085 thru 76-78-088

Product Code	Length mm	Finish	UOM	List	1-4	5+
With Stop – 7mm Body Diameter						
76-78-070	15	Nickel	1000	\$109.78	\$65.88	\$60.97
76-78-072	15	Brass	1000	109.78	65.88	60.97
With Stop – 5mm Body Diameter						
76-78-081	16	Zinc	100	2.80	1.68	1.56
76-78-082	16	Zinc	1000	22.34	13.41	12.42
Without Stop – 5mm Body Diameter						
76-78-085	25	Nickel	100	5.10	3.06	2.83
76-78-086	25	Nickel	1000	40.80	24.48	22.67
76-78-087	25	Yellow zinc	100	5.10	3.06	2.83
76-78-088	25	Yellow zinc	1000	40.80	24.48	22.67

Shelf Support Sleeves

Steel construction. 5 per case.



Product Code	Inner Diameter	Outer Diameter mm	Length mm	Finish	UOM	List	1-4	5+
76-78-077	7mm	7.5	9	Nickel	100	\$8.62	\$5.17	\$4.79
76-78-078	7mm	7.5	9	Nickel	1000	68.96	41.38	38.32
76-78-079	7mm	7.5	9	Brass	100	8.66	5.20	4.82
76-78-080	7mm	7.5	9	Brass	1000	69.30	41.59	38.51
76-78-089	1/4"	7.2	8	Nickel	100	7.36	4.42	4.09
76-78-090	1/4"	7.2	8	Nickel	1000	58.88	35.33	32.72
76-78-091	1/4"	7.2	8	Brass	100	7.36	4.42	4.09
76-78-092	1/4"	7.2	8	Brass	1000	58.88	35.33	32.72



U.S. Futaba, Inc.

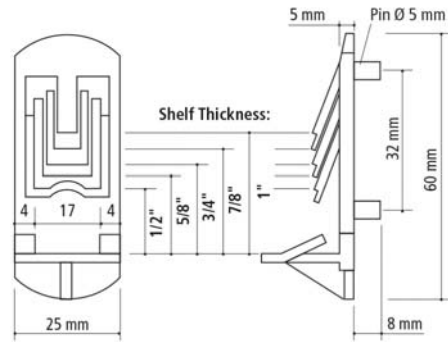
Shelf Supports Locking – Multi – Thickness



Translucent



White



Prevents movement top to bottom, and front to back. Accommodates shelves 1/2", 5/8", 3/4", 7/8" and 1". No tools or screws needed to install, remove or adjust. Grade level 1 ANSI/BHMA approved. 5 mm pins, 32 mm system. Uses: Transporting of cabinets with shelves installed.

Product Code	Color	UOM	List	1-4	5+
76-78-046	Translucent	100	\$85.28	\$51.17	\$47.38
76-78-047	White	100	85.28	51.17	47.38

Shelf Supports

Locking

1000 per box.



Product Code	Shelf Thickness In.	Color	List	Each
5mm Dia. Pin				
76-78-093	5/8	Clear	\$45.22	\$25.44
1/4" Dia. Pin				
76-78-096	5/8	Clear	45.22	25.44
76-78-098	3/4	White	45.22	25.44

Angle Brackets

Galvanized steel construction. Use #8 screws. Zinc finish.



Product Code	Dimensions mm		Case Qty.	List	Each	Case
	L	W				
76-77-123	30	30	500	\$0.38	\$0.26	\$0.22
76-77-124	40	40	500	0.46	0.32	0.27
76-77-125	50	50	250	0.54	0.38	0.32
76-77-126	60	60	250	0.60	0.42	0.35
76-77-127	70	70	250	0.72	0.50	0.42
76-77-128	80	80	250	0.86	0.60	0.50
76-77-129	100	100	200	0.78	0.78	0.65

Corner Braces

For corner blocks. Screw or staple in place.

Corner Braces with Covers. Attaches inside corners of shelves and conceals screw heads.



Corner Braces



Corner Braces with Covers

Product Code	Size In.	Color	List	1-49	50-499	500+
Corner Braces						
76-77-000*	2-1/2 x 2-1/2 x 3/4	Natural	0.14	0.11	0.10	0.09
76-77-003	2-1/2 x 2-1/2 x 3/4	Natural	0.28	0.20	0.19	0.17
76-77-104	3/4 x 3/4 x 6	Black	0.58	0.36	0.33	0.31
76-77-107	3/4 x 3/4 x 2	White	0.30	0.18	0.17	0.16
76-77-108	3/4 x 3/4 x 2	Black	0.30	0.18	0.17	0.16
76-77-111	3/4 x 3/4 x 3-5/8	White	0.40	0.25	0.23	0.22
76-77-112	3/4 x 3/4 x 3-5/8	Black	0.40	0.25	0.23	0.22
76-77-115	1-1/2 x 1-1/2 x 3	White	0.76	0.46	0.43	0.4
Corner Braces with Covers						
76-77-119	1-1/4 x 1-1/4 x 1-3/4	White	0.36	0.09	0.08	0.07
76-77-120	1-1/4 x 1-1/4 x 1-3/4	Black	0.36	0.09	0.08	0.07
76-77-121	1-1/4 x 1-1/4 x 1-3/4	Tan	0.36	0.09	0.08	0.07
76-77-122	1-1/4 x 1-1/4 x 1-3/4	Brown	0.36	0.09	0.08	0.07

*Includes wing.

Not all the products we carry are listed in this catalog. If you don't see what you're looking for, please contact your local branch for assistance.





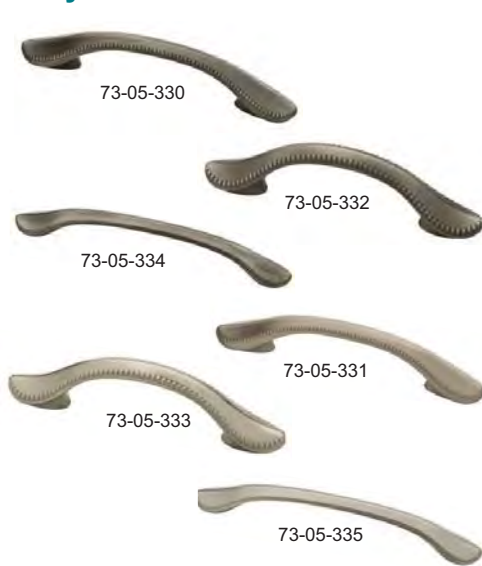
Cabinet Shop Collection



Aetna #	Description	Finish	Box Qty	List	Each	Box
73-05-469	3" Pull	Satin Nickel	12	\$4.67	\$2.78	\$2.58
73-05-470	3" Pull	Bronze w/ Copper	12	\$4.67	\$2.78	\$2.58
73-05-471	1-3/8" Knob	Satin Nickel	12	\$3.50	\$2.09	\$1.94
73-05-472	1-3/8" Knob	Bronze w/ Copper	12	\$3.50	\$2.09	\$1.94
73-05-473	3" Pull	Satin Nickel	12	\$4.67	\$2.78	\$2.58
73-05-474	3" Pull	Bronze w/ Copper	12	\$4.67	\$2.78	\$2.58
73-05-475	3" Pull	Satin Nickel	12	\$4.67	\$2.78	\$2.58
73-05-476	3" Pull	Bronze w/ Copper	12	\$4.67	\$2.78	\$2.58
73-05-477	1-3/8" Knob	Satin Nickel	12	\$4.67	\$2.78	\$2.58
73-05-478	1-3/8" Knob	Bronze w/ Copper	12	\$4.67	\$2.78	\$2.58
73-05-479	128mm Pull	Satin Nickel	12	\$5.84	\$3.48	\$3.23
73-05-480	128mm Pull	Bronze w/ Copper	12	\$5.84	\$3.48	\$3.23
73-05-481	3" Pull	Satin Nickel	25	\$3.25	\$1.94	\$1.80
73-05-482	3" Pull	Bronze w/ Copper	12	\$3.25	\$1.94	\$1.80
73-05-483	3" Pull	Bronze w/ Copper	12	\$2.33	\$1.39	\$1.29
73-05-484	3" Pull	Satin Nickel	12	\$2.80	\$1.67	\$1.55
73-05-485	64mm Pull	Bronze w/ Copper	12	\$5.84	\$3.48	\$3.23
73-05-486	64mm Pull	Satin Nickel	12	\$5.84	\$3.48	\$3.23
73-05-487	1-1/4" Knob	Venetian Bronze®	12	\$2.21	\$1.32	\$1.22
73-05-488	1-1/4" Knob	Satin Nickel	12	\$2.21	\$1.32	\$1.22
73-05-489	3" Pull	Satin Nickel	12	\$3.50	\$2.09	\$1.94
73-05-490	3" Pull	Venetian Bronze®	12	\$3.50	\$2.09	\$1.94
73-05-491	1-1/4" Knob	Venetian Bronze®	12	\$3.50	\$2.09	\$1.94
73-05-492	1-1/4" Knob	Satin Nickel	12	\$3.50	\$2.09	\$1.94
73-05-493	30mm Knob	Satin Nickel	12	\$3.50	\$2.09	\$1.94
73-05-494	30mm Knob	Venetian Bronze®	12	\$3.50	\$2.09	\$1.94
73-05-495	96mm Pull	Satin Nickel	25	\$7.01	\$4.18	\$3.88
73-05-496	96mm Pull	Venetian Bronze®	25	\$7.01	\$4.18	\$3.88



Taryn Collection



Aetna #	Description	Finish	Box Qty	List	Each	Box
73-05-330	128mm Pull	Heirloom Silver	12	\$8.18	\$4.88	\$4.53
73-05-331	128mm Pull	Satin Nickel	12	\$8.18	\$4.88	\$4.53
73-05-332	3"or 3-3/4" Pull	Heirloom Silver	12	\$5.84	\$3.48	\$3.23
73-05-333	3"or 3-3/4" Pull	Satin Nickel	12	\$5.84	\$3.48	\$3.23
73-05-334	10 or 12" Pull	Heirloom Silver	12	\$58.49	\$34.87	\$32.38
73-05-335	10 or 12" Pull	Satin Nickel	12	\$58.49	\$34.87	\$32.38
73-05-336	1-3/8" Knob	Heirloom Silver	12	\$4.67	\$2.78	\$2.58
73-05-337	1-3/8" Knob	Satin Nickel	12	\$4.67	\$2.78	\$2.58
73-05-338	1-3/4" Pull	Heirloom Silver	12	\$5.84	\$3.48	\$3.23
73-05-339	1-3/4" Pull	Satin Nickel	12	\$5.84	\$3.48	\$3.23

Avante Rubbed Bronze Collection



Aetna #	Description	Finish	Box Qty	List	Each	Box
73-05-340	1-1/4" Knob	Rubbed Bronze	12	\$3.50	\$2.09	\$1.94
73-05-342	33mm Knob	Rubbed Bronze	12	\$4.67	\$2.78	\$2.58
73-05-344	3" Pull	Rubbed Bronze	12	\$4.67	\$2.78	\$2.58
73-05-346	3" Pull	Rubbed Bronze	12	\$5.25	\$3.13	\$2.91
73-05-348	31mm Knob	Rubbed Bronze	12	\$5.25	\$3.13	\$2.91
73-05-349	31mm Knob	Rubbed Bronze	12	\$3.50	\$2.09	\$1.94
73-05-350	30mm Knob	Rubbed Bronze	12	\$4.67	\$2.78	\$2.58
73-05-351	30mm Knob	Rubbed Bronze	12	\$5.25	\$3.13	\$2.91
73-05-352	3" Ornate Pull	Rubbed Bronze	12	\$3.50	\$2.09	\$1.94
73-05-355	4" (102mm) Pull	Rubbed Bronze	12	\$5.84	\$3.48	\$3.23
73-05-358	33mm Knob	Rubbed Bronze	12	\$4.67	\$2.78	\$2.58
73-05-360	33mm Knob	Rubbed Bronze	12	\$5.84	\$3.48	\$3.23
73-05-362	31mm Knob	Rubbed Bronze	12	\$3.50	\$2.09	\$1.94
73-05-364	1-1/4" Knob	Rubbed Bronze	12	\$4.67	\$2.78	\$2.58
73-05-366	3" Plain Cup Pull	Rubbed Bronze	12	\$4.67	\$2.78	\$2.58
73-05-368	3" Plain Cup Pull	Rubbed Bronze	12	\$4.67	\$2.78	\$2.58



Carlton Collection



Aetna #	Description	Finish	Box Qty	List	Each	Box
73-05-440	96mm Pull	Flat Black	100	\$1.39	\$0.83	\$0.77
73-05-441	96mm Pull	Satin Nickel	100	\$1.57	\$0.93	\$0.87
73-05-442	128mm Pull	Satin Nickel	100	\$1.80	\$1.07	\$1.00
73-05-443	128mm Pull	Flat Black	100	\$6.42	\$3.83	\$3.56
73-05-444	128mm Pull	Matte Chrome	25	\$6.42	\$3.83	\$3.56
73-05-445	96mm Pull	Matte Chrome	25	\$5.25	\$3.13	\$2.91
73-05-446	160mm Pull	Flat Black	25	\$7.59	\$4.53	\$4.20
73-05-447	160mm Pull	Matte Chrome	25	\$7.59	\$4.53	\$4.20
73-05-448	160mm Pull	Satin Nickel	25	\$7.59	\$4.53	\$4.20
73-05-449	224mm Pull	Flat Black	25	\$11.69	\$6.97	\$6.47
73-05-450	224mm Pull	Matte Chrome	25	\$11.69	\$6.97	\$6.47
73-05-451	224 mm Pull	Satin Nickel	25	\$11.69	\$6.97	\$6.47
73-05-452	288mm Pull	Flat Black	20	\$11.69	\$6.97	\$6.47
73-05-453	288mm Pull	Matte Chrome	25	\$11.69	\$6.97	\$6.47
73-05-454	288 mm Pull	Satin Nickel	25	\$11.69	\$6.97	\$6.47

Avante Collection



Aetna #	Description	Finish	Box Qty	List	Each	Box
73-04-525	12" Pull	Rubbed Bronze	5	\$35.09	\$20.92	\$19.42
73-04-531	160mm Pull	Rubbed Bronze	20	\$11.45	\$6.83	\$6.34
73-04-533	4" Pull	Rubbed Bronze	25	\$7.36	\$4.39	\$4.07
73-04-535	124mm Knob	Rubbed Bronze	25	\$13.44	\$8.01	\$7.44
73-04-537	68mm Knob	Rubbed Bronze	25	\$7.71	\$4.60	\$4.27
73-04-539	85mm Knob	Rubbed Bronze	25	\$10.05	\$5.99	\$5.56
73-04-559	96mm Pull	Rubbed Bronze	25	\$4.90	\$2.92	\$2.71
73-04-527	33mm Knob	Rubbed Bronze	25	\$7.01	\$4.18	\$3.88
73-04-529	1-1/2" Knob	Rubbed Bronze	25	\$7.59	\$4.53	\$4.20
73-04-561	128mm Pull	Rubbed Bronze	25	\$5.25	\$3.13	\$2.91
73-04-563	2-1/2" T-Knob	Rubbed Bronze	25	\$12.39	\$7.39	\$6.86
73-04-565	96mm Pull	Rubbed Bronze	25	\$8.18	\$4.88	\$4.53
73-04-567	96mm Pull	Rubbed Bronze	25	\$8.76	\$5.22	\$4.85
73-04-569	35mm Knob	Rubbed Bronze	25	\$12.86	\$7.67	\$7.12



Cup Pulls



73-03-649

73-03-651

73-03-653

73-03-655

73-03-659



73-03-637



73-03-639



73-03-641



73-03-643



73-03-647

Aetna #	Description	Finish	Box Qty	List	Each	Box
73-03-637	36mm Round Knob	Copper Kettle	25	\$4.67	\$2.78	\$2.58
73-03-639	36mm Round Knob	Antique Iron	25	\$4.67	\$2.78	\$2.58
73-03-641	36mm Round Knob	Satin Nickel	25	\$4.67	\$2.78	\$2.58
73-03-643	36mm Round Knob	Dark Oil Rubbed Bronze	25	\$4.67	\$2.78	\$2.58
73-03-647	36mm Round Knob	Polished Chrome	25	\$4.67	\$2.78	\$2.58
73-03-649	64mm/3" Cup Pull	Copper Kettle	25	\$5.72	\$3.41	\$3.17
73-03-651	64mm/3" Cup Pull	Antique Iron	25	\$5.72	\$3.41	\$3.17
73-03-653	64mm/3" Cup Pull	Satin Nickel	25	\$5.72	\$3.41	\$3.17
73-03-655	64mm/3" Cup Pull	Dark Oil Rubbed Bronze	25	\$5.72	\$3.41	\$3.17
73-03-659	64mm/3" Cup Pull	Polished Chrome	25	\$5.72	\$3.41	\$3.17

Avante Collection



73-05-341

73-05-359

73-05-361

73-05-345

73-05-353

73-05-347



73-05-363



73-05-354



73-05-365



73-05-356



73-05-357



73-05-367



73-05-369

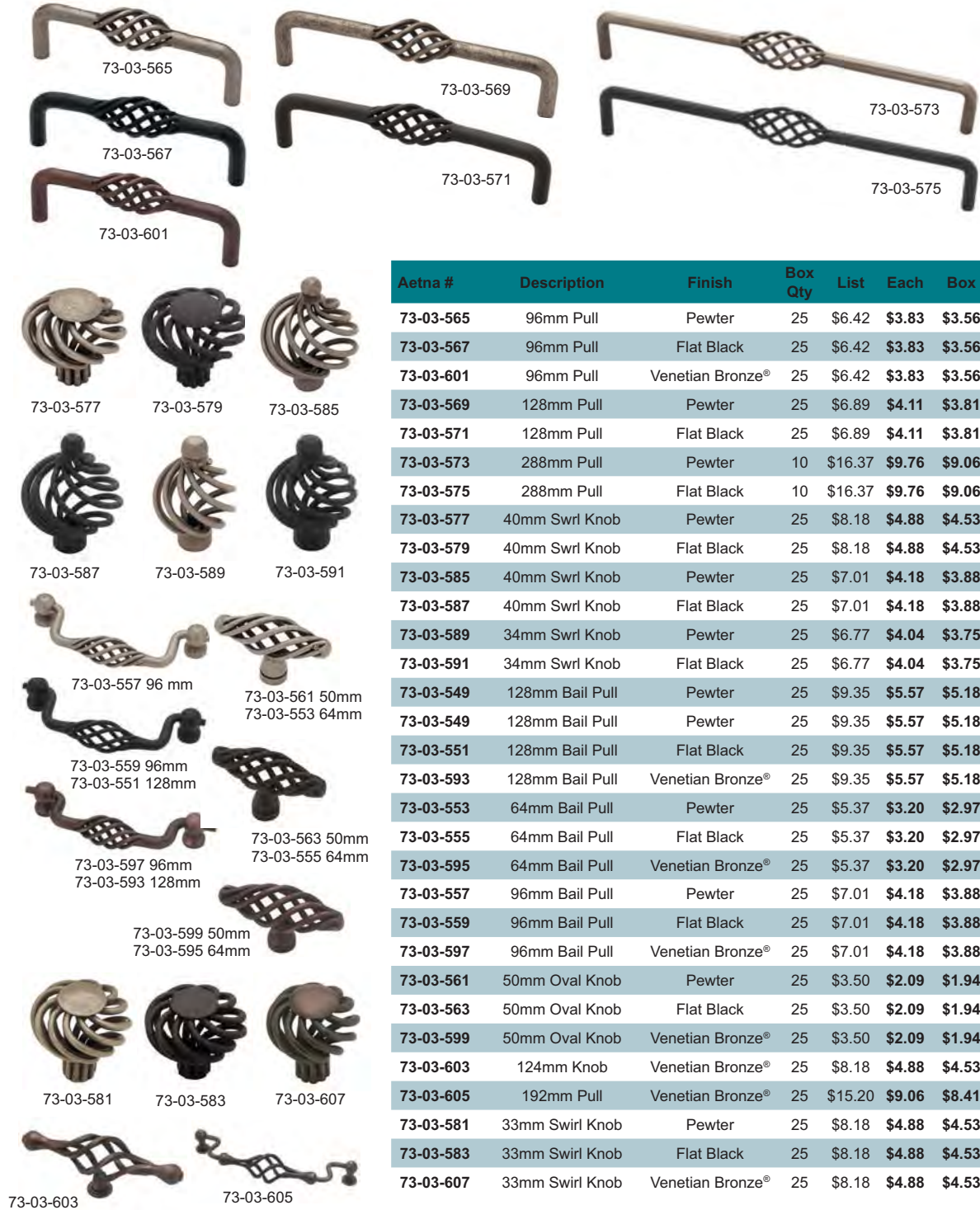
Aetna #	Description	Finish	Box Qty	List	Each	Box
73-05-341	1-1/4" Knob	Venetian Bronze®	12	\$3.50	\$2.09	\$1.94
73-05-345	3" Pull	Venetian Bronze®	12	\$4.67	\$2.78	\$2.58
73-05-347	3" Pull	Venetian Bronze®	12	\$5.25	\$3.13	\$2.91
73-05-353	3" Ornate Pull	Venetian Bronze®	12	\$3.50	\$2.09	\$1.94
73-05-354	3" Pull	Venetian Bronze®	12	\$4.67	\$2.78	\$2.58
73-05-356	4" (102mm) Pull	Venetian Bronze®	12	\$5.84	\$3.48	\$3.23
73-05-357	3" Pull	Venetian Bronze®	12	\$4.67	\$2.78	\$2.58
73-05-359	33mm Knob	Venetian Bronze®	12	\$4.67	\$2.78	\$2.58
73-05-361	33mm Knob	Venetian Bronze®	12	\$5.84	\$3.48	\$3.23
73-05-363	31mm Knob	Venetian Bronze®	12	\$3.50	\$2.09	\$1.94
73-05-365	1-1/4" Knob	Venetian Bronze®	12	\$4.67	\$2.78	\$2.58
73-05-367	3" Plain Cup Pull	Venetian Bronze®	12	\$4.67	\$2.78	\$2.58
73-05-369	3" Plain Cup Pull	Venetian Bronze®	12	\$4.67	\$2.78	\$2.58

H

Decorative Hardware



Forged Iron Collection



Aetna #	Description	Finish	Box Qty	List	Each	Box
73-03-565	96mm Pull	Pewter	25	\$6.42	\$3.83	\$3.56
73-03-567	96mm Pull	Flat Black	25	\$6.42	\$3.83	\$3.56
73-03-601	96mm Pull	Venetian Bronze®	25	\$6.42	\$3.83	\$3.56
73-03-569	128mm Pull	Pewter	25	\$6.89	\$4.11	\$3.81
73-03-571	128mm Pull	Flat Black	25	\$6.89	\$4.11	\$3.81
73-03-573	288mm Pull	Pewter	10	\$16.37	\$9.76	\$9.06
73-03-575	288mm Pull	Flat Black	10	\$16.37	\$9.76	\$9.06
73-03-577	40mm Swrl Knob	Pewter	25	\$8.18	\$4.88	\$4.53
73-03-579	40mm Swrl Knob	Flat Black	25	\$8.18	\$4.88	\$4.53
73-03-585	40mm Swrl Knob	Pewter	25	\$7.01	\$4.18	\$3.88
73-03-587	40mm Swrl Knob	Flat Black	25	\$7.01	\$4.18	\$3.88
73-03-589	34mm Swrl Knob	Pewter	25	\$6.77	\$4.04	\$3.75
73-03-591	34mm Swrl Knob	Flat Black	25	\$6.77	\$4.04	\$3.75
73-03-549	128mm Bail Pull	Pewter	25	\$9.35	\$5.57	\$5.18
73-03-549	128mm Bail Pull	Pewter	25	\$9.35	\$5.57	\$5.18
73-03-551	128mm Bail Pull	Flat Black	25	\$9.35	\$5.57	\$5.18
73-03-593	128mm Bail Pull	Venetian Bronze®	25	\$9.35	\$5.57	\$5.18
73-03-553	64mm Bail Pull	Pewter	25	\$5.37	\$3.20	\$2.97
73-03-555	64mm Bail Pull	Flat Black	25	\$5.37	\$3.20	\$2.97
73-03-595	64mm Bail Pull	Venetian Bronze®	25	\$5.37	\$3.20	\$2.97
73-03-557	96mm Bail Pull	Pewter	25	\$7.01	\$4.18	\$3.88
73-03-559	96mm Bail Pull	Flat Black	25	\$7.01	\$4.18	\$3.88
73-03-597	96mm Bail Pull	Venetian Bronze®	25	\$7.01	\$4.18	\$3.88
73-03-561	50mm Oval Knob	Pewter	25	\$3.50	\$2.09	\$1.94
73-03-563	50mm Oval Knob	Flat Black	25	\$3.50	\$2.09	\$1.94
73-03-599	50mm Oval Knob	Venetian Bronze®	25	\$3.50	\$2.09	\$1.94
73-03-603	124mm Knob	Venetian Bronze®	25	\$8.18	\$4.88	\$4.53
73-03-605	192mm Pull	Venetian Bronze®	25	\$15.20	\$9.06	\$8.41
73-03-581	33mm Swirl Knob	Pewter	25	\$8.18	\$4.88	\$4.53
73-03-583	33mm Swirl Knob	Flat Black	25	\$8.18	\$4.88	\$4.53
73-03-607	33mm Swirl Knob	Venetian Bronze®	25	\$8.18	\$4.88	\$4.53



Sophisticates Collection



Aetna #	Description	Finish	Box Qty	List	Each	Box
73-03-817	64mm Pull	Distressed Oil Rubbed Bronze	25	\$3.50	\$2.09	\$1.94
73-03-819	64mm Pull	Satin Nickel	25	\$3.50	\$2.09	\$1.94
73-03-821	96mm Pull	Distressed Oil Rubbed Bronze	25	\$3.85	\$2.29	\$2.13
73-03-823	96mm Pull	Satin Nickel	25	\$3.85	\$2.29	\$2.13
73-03-833	128mm Pull	Distressed Oil Rubbed Bronze	25	\$8.06	\$4.81	\$4.46
73-03-835	128mm Pull	Satin Nickel	25	\$8.06	\$4.81	\$4.46
73-03-839	288mm Pull	Satin Nickel	10	\$15.20	\$9.06	\$8.41
73-03-867	96mm Pull	Polished Brass	100	\$1.48	\$0.88	\$0.82
73-03-869	96mm Pull	Satin Nickel	100	\$1.60	\$0.95	\$0.88
73-04-135	128mm Pull	Flat Black	100	\$1.60	\$0.95	\$0.88
73-03-871	128mm Pull	Polished Brass	100	\$1.86	\$1.11	\$1.03
73-03-873	128mm Pull	Satin Nickel	100	\$1.95	\$1.16	\$1.08
73-03-843	96mm Pull	Distressed Oil Rubbed Bronze	25	\$3.50	\$2.09	\$1.94
73-03-847	64mm Pull	Distressed Oil Rubbed Bronze	25	\$2.68	\$1.60	\$1.48
73-03-849	64mm Pull	Satin Nickel	25	\$2.68	\$1.60	\$1.48
73-03-851	96mm Pull	Distressed Oil Rubbed Bronze	25	\$5.25	\$3.13	\$2.91
73-03-853	96mm Pull	Satin Nickel	25	\$5.25	\$3.13	\$2.91
73-03-857	128mm Pull	Matte Chrome	25	\$5.84	\$3.48	\$3.23
73-03-859	128mm Pull	Distressed Oil Rubbed Bronze	25	\$5.84	\$3.48	\$3.23
73-03-863	224mm Pull	Distressed Oil Rubbed Bronze	25	\$12.86	\$7.67	\$7.12
73-03-865	224mm Pull	Satin Nickel	25	\$12.86	\$7.67	\$7.12

H

Decorative Hardware



Chrome Highlites Collection



Aetna #	Description	Finish	Box Qty	List	Each	Box
73-05-455	3" Arch Pull	Polished Chrome	12	\$4.67	\$2.78	\$2.58
73-05-456	1-3/8" Harmon Knob	Polished Chrome	12	\$3.50	\$2.09	\$1.94
73-05-457	96mm Arch Pull	Polished Chrome	12	\$5.25	\$3.13	\$2.91
73-05-458	128mm Arch Pull	Polished Chrome	12	\$5.84	\$3.48	\$3.23
73-05-459	96mm Knuckle Pull	Polished Chrome	12	\$4.08	\$2.43	\$2.26
73-05-460	128mm Knuckle Pull	Polished Chrome	12	\$8.18	\$4.88	\$4.53
73-05-461	25mm Mia Knob	Polished Chrome	12	\$2.33	\$1.39	\$1.29

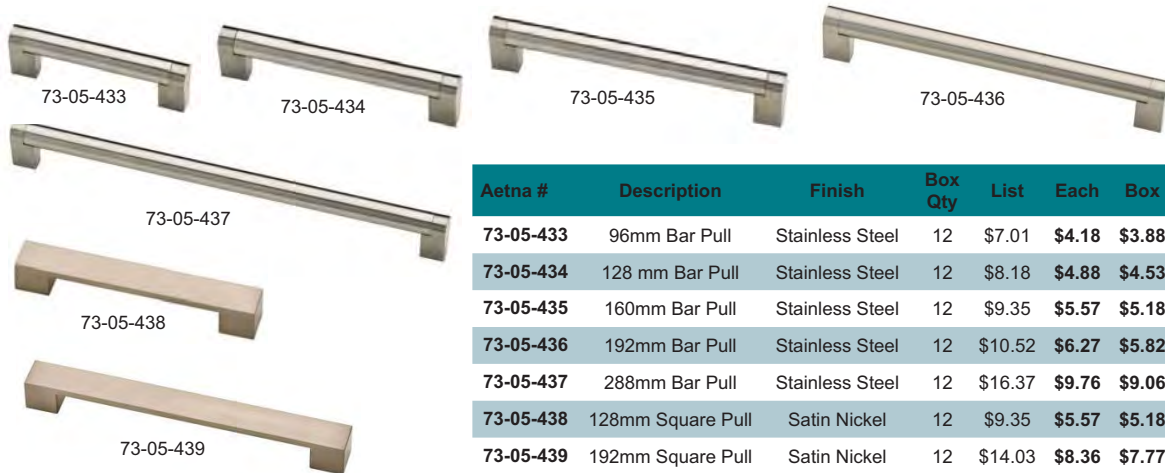
Design Facets Collection



Aetna #	Description	Finish	Box Qty	List	Each	Box
73-05-370	1-7/16" Knob	Satin Nickel & Clear	12	\$7.01	\$4.18	\$3.88
73-05-371	30mm Knob	Mercury Glass	12	\$7.01	\$4.18	\$3.88
73-05-372	3" Pull	Clear	12	\$8.18	\$4.88	\$4.53
73-05-373	30mm Knob	Clear	12	\$4.67	\$2.78	\$2.58
73-05-374	1-3/16 Knob	Chrome & Clear	25	\$4.08	\$2.43	\$2.26
73-05-375	1-1/4" Knob	Statuary Bronze & Amber	12	\$8.18	\$4.88	\$4.53
73-05-376	1-1/4" Knob	Chrome & Red	12	\$8.18	\$4.88	\$4.53
73-05-377	1-1/4" Knob	Satin Nickel & Clear	12	\$7.01	\$4.18	\$3.88
73-05-378	1-1/4" Knob	Chrome & Clear	25	\$7.01	\$4.18	\$3.88
73-05-379	1-1/4" Knob	Brass & Clear	25	\$7.01	\$4.18	\$3.88
73-05-380	1-1/4" Knob	Statuary Bronze & Clear	12	\$4.67	\$2.78	\$2.58
73-05-381	1-1/4" Knob	Chrome & Clear	25	\$4.67	\$2.78	\$2.58
73-05-382	1-1/4" Knob	Clear	25	\$4.67	\$2.78	\$2.58
73-05-383	1-1/4" Knob	Statuary Bronze & Celadon	12	\$4.67	\$2.78	\$2.58
73-05-384	1-1/4" Knob	Oil Rubbed Bronze & Clear	12	\$4.64	\$2.77	\$2.57
73-05-385	3" Pull	Oil Rubbed Bronze & Clear	12	\$6.98	\$4.16	\$3.87
73-05-386	1-1/4" Knob	Satin Nickel & Vintage Green	12	\$5.81	\$3.47	\$3.22
73-05-387	3" Pull	Satin Nickel & Vintage Green	12	\$8.15	\$4.86	\$4.51



Stratford Collection



Aetna #	Description	Finish	Box Qty	List	Each	Box
73-05-433	96mm Bar Pull	Stainless Steel	12	\$7.01	\$4.18	\$3.88
73-05-434	128 mm Bar Pull	Stainless Steel	12	\$8.18	\$4.88	\$4.53
73-05-435	160mm Bar Pull	Stainless Steel	12	\$9.35	\$5.57	\$5.18
73-05-436	192mm Bar Pull	Stainless Steel	12	\$10.52	\$6.27	\$5.82
73-05-437	288mm Bar Pull	Stainless Steel	12	\$16.37	\$9.76	\$9.06
73-05-438	128mm Square Pull	Satin Nickel	12	\$9.35	\$5.57	\$5.18
73-05-439	192mm Square Pull	Satin Nickel	12	\$14.03	\$8.36	\$7.77

Abella Collection



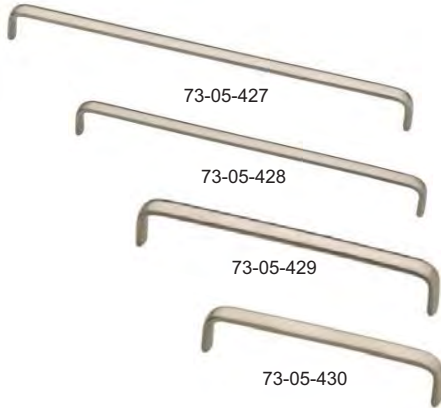
Aetna #	Description	Finish	Box Qty	List	Each	Box
73-05-388	4" Pull	Vintage Nickel	12	\$7.01	\$4.18	\$3.88
73-05-389	4" Pull	Soft Iron	12	\$7.01	\$4.18	\$3.88
73-05-390	4" Pull	Venetian Bronze®	12	\$7.01	\$4.18	\$3.88
73-05-391	128mm Pull	Vintage Nickel	12	\$9.35	\$5.57	\$5.18
73-05-392	128mm Pull	Soft Iron	12	\$9.35	\$5.57	\$5.18
73-05-393	128mm Pull	Venetian Bronze®	12	\$9.35	\$5.57	\$5.18
73-05-394	160mm Pull	Vintage Nickel	12	\$10.52	\$6.27	\$5.82
73-05-395	160mm Pull	Soft Iron	12	\$10.52	\$6.27	\$5.82
73-05-396	160mm Pull	Venetian Bronze®	12	\$10.52	\$6.27	\$5.82
73-05-397	1-1/4" Knob	Vintage Nickel	12	\$4.67	\$2.78	\$2.58
73-05-398	1-1/4" Knob	Soft Iron	12	\$4.67	\$2.78	\$2.58
73-05-399	1-1/4" Knob	Venetian Bronze®	12	\$4.67	\$2.78	\$2.58
73-05-400	1-1/4" Knob	Vintage Nickel	12	\$4.67	\$2.78	\$2.58
73-05-401	1-1/4" Knob	Soft Iron	12	\$4.67	\$2.78	\$2.58
73-05-402	1-1/4" Knob	Venetian Bronze®	12	\$4.67	\$2.78	\$2.58

H

Decorative Hardware



Lyndall Collection



Aetna #	Description	Finish	Box Qty	List	Each	Box
73-05-427	288mm Pull	Stainless Steel	12	\$16.37	\$9.76	\$9.06
73-05-428	224mm Pull	Stainless Steel	12	\$15.20	\$9.06	\$8.41
73-05-429	160mm Pull	Stainless Steel	12	\$12.86	\$7.67	\$7.12
73-05-430	128mm Pull	Stainless Steel	12	\$10.52	\$6.27	\$5.82
73-05-431	96mm Pull	Stainless Steel	12	\$8.18	\$4.88	\$4.53
73-05-432	76mm Pull	Stainless Steel	12	\$7.01	\$4.18	\$3.88

Ashtyn Collection



Aetna #	Description	Finish	Box Qty	List	Each	Box
73-05-403	Rectangular Knob	Charcoal	12	\$4.67	\$2.78	\$2.58
73-05-404	Rectangular Knob	Polished Chrome	12	\$4.67	\$2.78	\$2.58
73-05-405	Rectangular Knob	Satin Nickel	12	\$4.67	\$2.78	\$2.58
73-05-406	3" Pull	Charcoal	12	\$7.01	\$4.18	\$3.88
73-05-407	3" Pull	Polished Chrome	12	\$7.01	\$4.18	\$3.88
73-05-408	3" Pull	Satin Nickel	12	\$7.01	\$4.18	\$3.88
73-05-409	4" Pull	Charcoal	12	\$8.18	\$4.88	\$4.53
73-05-410	4" Pull	Polished Chrome	12	\$8.18	\$4.88	\$4.53
73-05-411	4" Pull	Satin Nickel	12	\$8.18	\$4.88	\$4.53
73-05-412	128mm Pull	Charcoal	12	\$9.35	\$5.57	\$5.18
73-05-413	128mm Pull	Polished Chrome	12	\$9.35	\$5.57	\$5.18
73-05-414	128mm Pull	Satin Nickel	12	\$9.35	\$5.57	\$5.18
73-05-415	12" Pull	Charcoal	12	\$46.79	\$27.89	\$25.90
73-05-416	12" Pull	Polished Chrome	12	\$46.79	\$27.89	\$25.90
73-05-417	12" Pull	Satin Nickel	12	\$46.79	\$27.89	\$25.90
73-05-418	1-1/4" Knob	Charcoal	12	\$4.08	\$2.43	\$2.26
73-05-419	1-1/4" Knob	Polished Chrome	12	\$4.08	\$2.43	\$2.26
73-05-420	1-1/4" Knob	Satin Nickel	12	\$4.08	\$2.43	\$2.26



South Hampton Collection



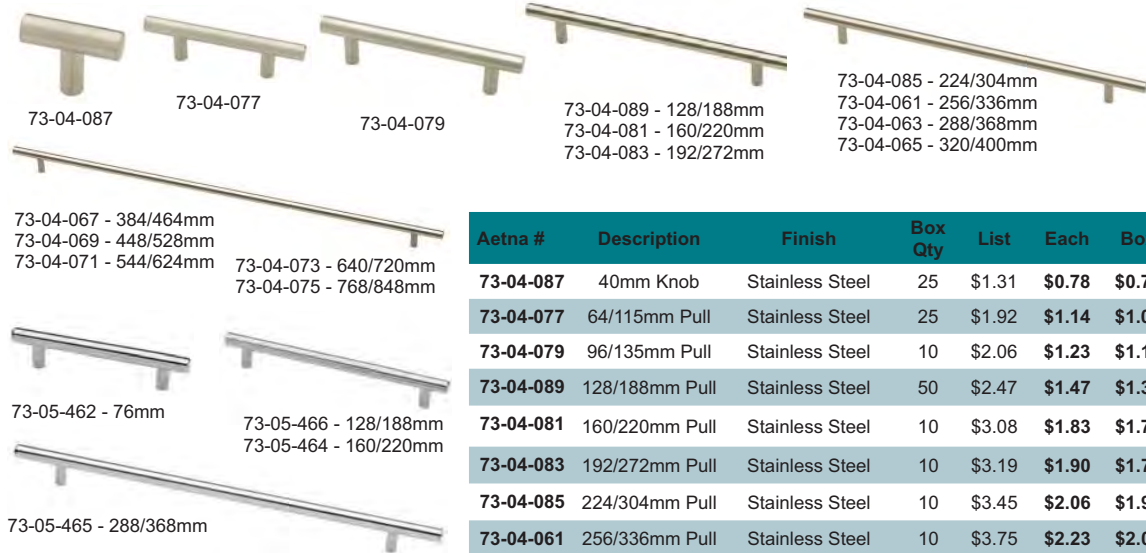
Aetna #	Description	Finish	Box Qty	List	Each	Box
73-05-137	32mm Knob	Satin Nickel	25	\$3.50	\$2.09	\$1.94
73-05-121	32mm Knob	Bronze w/ Copper	25	\$3.50	\$2.09	\$1.94
73-05-129	30mm Knob	Satin Nickel	25	\$3.50	\$2.09	\$1.94
73-05-113	30mm Knob	Bronze w/ Copper	25	\$3.50	\$2.09	\$1.94
73-05-127	3"/96mm Pull	Satin Nickel	25	\$4.67	\$2.78	\$2.58
73-05-111	3"/96mm Pull	Bronze w/ Copper	25	\$4.67	\$2.78	\$2.58
73-05-131	3" Pull	Satin Nickel	25	\$4.67	\$2.78	\$2.58
73-05-115	3" Pull	Bronze w/ Copper	25	\$4.67	\$2.78	\$2.58
73-05-139	3"/96mm Pull	Satin Nickel	25	\$4.67	\$2.78	\$2.58
73-05-123	3"/96mm Pull	Bronze w/ Copper	25	\$4.67	\$2.78	\$2.58
73-05-133	32mm Knob	Satin Nickel	25	\$3.50	\$2.09	\$1.94
73-05-117	32mm Knob	Bronze w/ Copper	25	\$3.50	\$2.09	\$1.94
73-05-135	3"/96mm Pull	Satin Nickel	25	\$4.67	\$2.78	\$2.58
73-05-119	3"/96mm Pull	Bronze w/ Copper	25	\$4.67	\$2.78	\$2.58
73-05-141	29mm Knob	Satin Nickel	25	\$3.50	\$2.09	\$1.94
73-05-125	29mm Knob	Bronze w/ Copper	25	\$3.50	\$2.09	\$1.94
73-05-421	128mm Pull	Satin Nickel	12	\$7.01	\$4.18	\$3.88
73-05-422	128mm Pull	Bronze w/ Copper	12	\$7.01	\$4.18	\$3.88
73-05-423	128mm Pull	Satin Nickel	12	\$7.01	\$4.18	\$3.88
73-05-424	128mm Pull	Bronze w/ Copper	12	\$7.01	\$4.18	\$3.88
73-05-425	128mm Pull	Satin Nickel	12	\$8.18	\$4.88	\$4.53
73-05-426	128mm Pull	Bronze w/ Copper	12	\$8.18	\$4.88	\$4.53

H

Decorative Hardware



Builders Collection



Aetna #	Description	Finish	Box Qty	List	Each	Box
73-04-087	40mm Knob	Stainless Steel	25	\$1.31	\$0.78	\$0.72
73-04-077	64/115mm Pull	Stainless Steel	25	\$1.92	\$1.14	\$1.06
73-04-079	96/135mm Pull	Stainless Steel	10	\$2.06	\$1.23	\$1.14
73-04-089	128/188mm Pull	Stainless Steel	50	\$2.47	\$1.47	\$1.37
73-04-081	160/220mm Pull	Stainless Steel	10	\$3.08	\$1.83	\$1.70
73-04-083	192/272mm Pull	Stainless Steel	10	\$3.19	\$1.90	\$1.77
73-04-085	224/304mm Pull	Stainless Steel	10	\$3.45	\$2.06	\$1.91
73-04-061	256/336mm Pull	Stainless Steel	10	\$3.75	\$2.23	\$2.07
73-04-063	288/368mm Pull	Stainless Steel	10	\$4.04	\$2.41	\$2.23
73-04-065	320/400mm Pull	Stainless Steel	10	\$4.33	\$2.58	\$2.39
73-04-067	384/464mm Pull	Stainless Steel	10	\$5.08	\$3.03	\$2.81
73-04-069	448/528mm Pull	Stainless Steel	10	\$5.69	\$3.39	\$3.15
73-04-071	544/624mm Pull	Stainless Steel	10	\$6.68	\$3.98	\$3.70
73-04-073	640/720mm Pull	Stainless Steel	10	\$7.52	\$4.48	\$4.16
73-04-075	768/848mm Pull	Stainless Steel	10	\$8.62	\$5.14	\$4.77
73-05-462	76mm Pull	Polished Chrome	12	\$7.01	\$4.18	\$3.88
73-05-463	96/135mm Pull	Polished Chrome	12	\$7.59	\$4.53	\$4.20
73-05-466	128/188mm Pull	Polished Chrome	12	\$8.18	\$4.88	\$4.53
73-05-464	160/220mm Pull	Polished Chrome	12	\$8.76	\$5.22	\$4.85
73-05-465	288/368mm Pull	Polished Chrome	12	\$10.52	\$6.27	\$5.82
73-04-131	1-1/4" Knob	Satin Nickel	25	\$1.05	\$0.62	\$0.58
73-04-121	1-1/4" Knob	Aluminum	100	\$1.10	\$0.66	\$0.61
73-04-125	1-1/4" Knob	Satin Chrome	100	\$1.16	\$0.69	\$0.64
73-04-127	1-1/4" Knob	Polished Brass	25	\$1.16	\$0.69	\$0.64
73-04-129	1-1/4" Knob	Polished Chrome	25	\$1.16	\$0.69	\$0.64
73-04-123	1-1/4" Knob	Rubbed Bronze	100	\$1.19	\$0.71	\$0.66
73-04-145	1-1/4" Knob	Rubbed Bronze	100	\$1.25	\$0.74	\$0.69
73-04-141	1-1/4" Knob	Aluminum	100	\$1.28	\$0.76	\$0.71
73-04-143	1-1/4" Knob	Flat Black	100	\$1.28	\$0.76	\$0.71
73-04-147	1-1/4" Knob	Polished Brass	100	\$1.28	\$0.76	\$0.71
73-04-149	1-1/4" Knob	Polished Chrome	100	\$1.28	\$0.76	\$0.71
73-04-151	1-1/4" Knob	Satin Chrome	100	\$1.28	\$0.76	\$0.71
73-04-153	1-1/4" Knob	Satin Nickel	100	\$1.28	\$0.76	\$0.71



Aetna #	Description	Finish	Box Qty	List	Each	Box
73-04-101	96mm Bow Pull	Aluminum	100	\$1.51	\$0.90	\$0.84
73-04-103	96mm Bow Pull	Flat Black	100	\$1.39	\$0.83	\$0.77
73-04-105	96mm Bow Pull	Dark Oil Rubbed Bronze	100	\$1.51	\$0.90	\$0.84
73-04-109	96mm Bow Pull	Polished Chrome	100	\$1.54	\$0.92	\$0.85
73-04-111	96mm Bow Pull	Satin Nickel	100	\$1.57	\$0.93	\$0.87
73-04-091	128mm Bow Pull	Aluminum	100	\$1.63	\$0.97	\$0.90
73-04-093	128mm Bow Pull	Dark Oil Rubbed Bronze	100	\$1.86	\$1.11	\$1.03
73-04-097	128mm Bow Pull	Polished Chrome	100	\$1.80	\$1.07	\$1.00
73-04-099	128mm Bow Pull	Satin Nickel	100	\$1.80	\$1.07	\$1.00
73-04-115	96mm Tapered Bow Pull	Flat Black	100	\$1.51	\$0.90	\$0.84
73-04-117	96mm Tapered Bow Pull	Dark Oil Rubbed Bronze	100	\$1.68	\$1.00	\$0.93
73-03-869	96mm Tapered Bow Pull	Satin Nickel	100	\$1.60	\$0.95	\$0.88
73-04-021	3" Wire Pull	Flat Black	100	\$3.24	\$0.50	\$0.47
73-04-023	3" Wire Pull	Dark Oil Rubbed Bronze	25	\$3.24	\$0.50	\$0.47
73-04-025	3" Wire Pull	Polished Brass	100	\$3.24	\$0.90	\$0.84
73-04-027	3" Wire Pull	Polished Chrome	25	\$3.24	\$0.76	\$0.71
73-04-029	3" Wire Pull	Satin Chrome	100	\$3.24	\$0.50	\$0.47
73-04-031	3" Wire Pull	Satin Nickel	25	\$3.24	\$0.50	\$0.47
73-04-035	3-1/2 Wire Pull	Flat Black	100	\$3.24	\$0.55	\$0.51
73-04-037	3-1/2 Wire Pull	Dark Oil Rubbed Bronze	100	\$3.24	\$0.55	\$0.51
73-04-039	3-1/2 Wire Pull	Polished Brass	100	\$3.24	\$0.93	\$0.87
73-04-043	3-1/2 Wire Pull	Satin Chrome	100	\$3.24	\$0.55	\$0.51
73-04-045	3-1/2 Wire Pull	Satin Nickel	25	\$3.24	\$0.55	\$0.51
73-03-991	3-3/4" Wire Pull	Aluminum	100	\$3.24	\$0.66	\$0.61
73-03-993	3-3/4" Wire Pull	Flat Black	100	\$3.24	\$0.66	\$0.61
73-03-995	3-3/4" Wire Pull	Dark Oil Rubbed Bronze	100	\$3.24	\$0.66	\$0.61
73-03-999	3-3/4" Wire Pull	Polished Chrome	100	\$3.24	\$0.85	\$0.79
73-04-001	3-3/4" Wire Pull	Satin Chrome	100	\$3.24	\$0.73	\$0.68
73-05-468	3-3/4" Wire Pull	Satin Nickel	100	\$3.24	\$0.66	\$0.61
73-04-049	4 Wire Pull	Flat Black	100	\$2.72	\$0.68	\$0.63
73-04-051	4 Wire Pull	Dark Oil Rubbed Bronze	25	\$2.72	\$0.68	\$0.63
73-04-055	4 Wire Pull	Polished Chrome	100	\$2.72	\$0.87	\$0.80
73-04-057	4 Wire Pull	Satin Chrome	100	\$2.72	\$0.68	\$0.63
73-04-059	4 Wire Pull	Satin Nickel	25	\$2.72	\$0.68	\$0.63
73-04-015	5-1/16" Wire Pull	Satin Chrome	100	\$4.54	\$0.93	\$0.87
73-04-017	5-1/16" Wire Pull	Satin Nickel	100	\$4.54	\$0.93	\$0.87
73-04-133	128mm Enchanted Pull	Aluminum	100	\$6.49	\$1.16	\$1.08
73-05-467	128mm Enchanted Pull	Flat Black	100	\$6.49	\$0.95	\$0.88
73-04-137	128mm Enchanted Pull	Dark Oil Rubbed Bronze	100	\$6.49	\$1.19	\$1.11
73-03-873	128mm Enchanted Pull	Satin Nickel	100	\$6.49	\$1.16	\$1.08

U.S. Futaba, Inc.



Wire Pulls

D-Shape

Includes 8/32 x 1-1/8" screw. 250 per case.

Product Code	Length Center-to-Center	Finish	List	Each	Case
Stainless Steel					
73-02-128	3"	Natural brushed	\$3.48	\$2.17	\$2.00
73-02-131	3-1/2"	Natural brushed	3.84	2.40	2.22
73-02-134	96mm	Natural brushed	4.14	2.59	2.39
73-02-137	4"	Natural brushed	3.48	2.17	2.00
73-02-140	5"	Natural brushed	4.96	3.10	2.87
73-02-143	6"	Natural brushed	5.68	3.55	3.28
Aluminum					
73-02-029	3"	Brushed & lacquered	1.28	0.80	0.74
73-02-033	3-1/2"	Brushed & lacquered	1.36	0.85	0.79
73-02-041	96mm	Brushed & lacquered	1.36	0.85	0.79
73-02-037	4"	Brushed & lacquered	1.40	0.87	0.80
Steel					
73-02-591	3"	Brushed chrome	1.12	0.77	0.65
73-02-587	3"	Matte black	1.48	1.04	0.86
73-02-593	3"	Polished brass	1.40	0.95	0.80
73-02-592	3"	Polished chrome	1.40	0.95	0.80
73-02-594	3-1/2"	Brushed chrome	1.28	0.88	0.74
73-02-588	3-1/2"	Matte black	1.54	1.08	0.89
73-02-596	3-1/2"	Polished brass	1.42	0.97	0.82
73-02-595	3-1/2"	Polished chrome	1.42	0.97	0.82
73-02-597	96mm	Brushed chrome	1.20	0.82	0.70
73-02-590	96mm	Matte black	1.64	1.16	0.96
73-02-599	96mm	Polished brass	1.50	1.02	0.87
73-02-598	96mm	Polished chrome	1.26	0.86	0.73
73-02-600	4"	Brushed chrome	1.20	0.82	0.70
73-02-589	4"	Matte black	1.64	1.16	0.96
73-02-602	4"	Polished brass	1.56	1.06	0.90
73-02-601	4"	Polished chrome	1.26	0.86	0.73
73-02-603	4"	White	1.52	1.06	0.89
73-02-063	5"	Brushed chrome	1.58	1.08	0.91



Knobs

Zinc die cast construction. Includes 8/32" x 1-1/8" screw.

Product Code	Diameter	Finish	Case Qty.	List	Each	Case
73-45-201	1-1/4"	Polished brass	300	\$1.92	\$1.11	\$1.03
73-45-202	1-1/4"	Matte black	300	1.92	1.11	1.03
73-45-203	1-1/4"	Antique brass	300	1.92	1.11	1.03
73-45-205	1-1/4"	Brushed brass	300	1.92	1.11	1.03
73-45-206	1-1/4"	Dark antique copper	300	1.92	1.11	1.03
73-45-207	1-1/4"	Oil rubbed bronze	300	1.92	1.11	1.03
73-45-208	1-1/4"	Black nickel	300	1.92	1.11	1.03
73-45-209	1-1/4"	Polished chrome	300	1.92	1.11	1.03
73-45-213	1-3/16"	White	250	1.92	1.11	1.03

Limited To Stock On Hand



Bar Pulls

Steel

Steel construction with oil rubbed bronze finish. 12mm diameter. 100 per case.

Product Code	Overall Length In.	Length Center-to-Center	List	Each	Case
73-02-702	6-3/4	3"	\$4.60	\$2.63	\$2.45
73-02-704	7-3/4	3"	4.89	2.79	2.61
73-02-706	8-3/4	3"	5.46	3.12	2.91
73-02-708	9-3/4	3"	5.75	3.29	3.07
73-02-710	7-3/4	128mm	5.18	2.96	2.76

Limited To Stock On Hand



Bar Pulls

12mm diameter bar with 35mm projection. Mounts horizontally or vertically. Includes 8-32 x 1" screws. 25 per case. Additional lengths available by special order.



Product Code	Hole Centers in./mm	Overall Length in./mm	List	Each	Case
Solid Stainless Steel					
73-02-610	Knob	60mm	\$6.74	\$3.88	\$3.61
73-02-611	3"	5-1/2"	9.88	5.70	5.29
73-02-613	96mm	156mm	10.30	5.95	5.52
73-02-614	128mm	188mm	13.04	7.52	6.99
Satin Nickel Finish					
73-02-630	3"	5-1/2"	5.34	3.08	2.86
73-02-632	96mm	156mm	5.50	3.18	2.95
73-02-634	128mm	188mm	5.88	3.39	3.15

H

Decorative Hardware



Arch Pulls

Solid stainless steel construction. 25 per case.

Product Code	Hole Centers	Overall Length	List	Each	Case
73-02-642	3"	3.62"	\$8.14	\$4.70	\$4.36
73-02-644	96mm	118mm	8.92	5.15	4.78
73-02-646	128mm	152mm	9.88	5.70	5.29
73-02-648	160mm	190mm	12.18	7.03	6.53
73-02-650	192mm	228mm	14.76	8.51	7.91



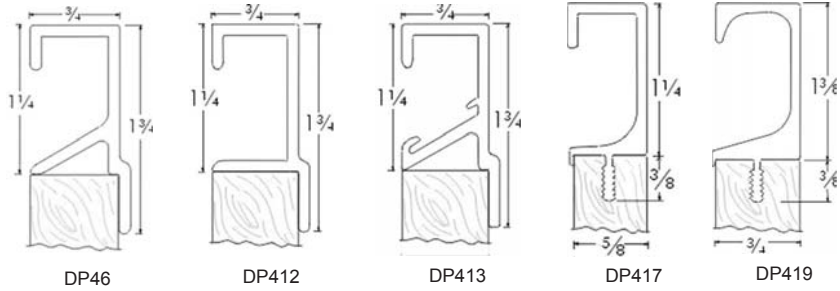
Drawer & Door Pulls

Aluminum. Measures 1-9/16" D x 1-1/2" H. DP41 Series. 10 per case.

Product Code	Finish	Length In.	List	Each	Case
73-02-045	Anodized	1-1/2	\$5.34	\$3.05	\$2.84
73-02-049	Polished	1-1/2	7.84	4.48	4.18
73-02-053	Anodized	3	7.12	4.07	3.79
73-02-057	Polished	3	10.68	6.10	5.70
73-02-061	Anodized	72	38.82	22.18	20.70
73-02-065	Polished	72	69.86	39.92	37.26



Drawer & Door Pulls Aluminum



Aluminum construction with clear anodized finish. 3-7/8" long pulls have 3" center to center holes and are polybagged with two screws. 10 per case.

Product Code	Series	Drawer Thickness In	List	Each	Case
3-7/8" Long					
73-02-069	DP46	3/4	\$8.00	\$4.57	\$4.26
73-02-077	DP46	13/16	8.60	4.91	4.59
73-02-085	DP412	3/4	7.28	4.16	3.88
73-02-093	DP412	13/16	7.84	4.48	4.18
73-02-101	DP413	3/4	7.16	4.09	3.81
73-02-109	DP413	13/16	7.84	4.48	4.18
3-7/8" Long					
73-02-073	DP46	3/4	76.44	43.68	40.77
73-02-081	DP46	13/16	76.44	43.68	40.77
73-02-089	DP412	3/4	70.74	40.42	37.73
73-02-097	DP412	13/16	71.10	40.63	37.92
73-02-105	DP413	3/4	98.22	56.12	52.38
73-02-113	DP413	13/16			
73-02-117	DP417	5/8	43.26	24.72	23.07
73-02-121	DP419	3/4	66.94	38.25	35.70



Glass Door Pulls

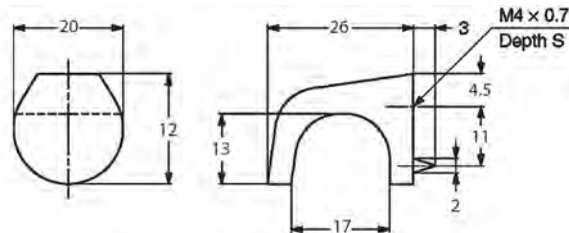
Aluminum. For 1/4" door thickness. 10 per case. Notes

Product Code	Length In.	Finish	List	Each	Case
73-02-125	2-3/4	Satin clear anodized	\$6.34	\$3.62	\$3.38



Knobs – MKZ Series

Zinc alloy construction with satin nickel finish. Measures 20mm W x 21mm H x 26mm D. Includes M4 x 0.7 screw.



Product Code	UOM	Case Qty.	List	Each	Case
73-94-265	Each	50	\$5.76	\$3.33	\$3.09



Abrasive Finishing Sheets

02 Series – CaratFlex 9" x 11"

A stearate coated abrasive for dry sanding applications. Carat Flex features fine stock removal, a uniform scratch pattern, a long lifespan and good grain adherence. The backing consists of a flexible, impregnated latex paper which is ideal for profile sanding. 50 per box. 10 boxes per case.



Product Code	Grade	List	Box	Case
CaratFlex 9" x 11" Silicon Carbide Finishing Sheet				
75-73-003	120	\$42.00	\$23.18	\$21.68
75-73-004	150	42.00	23.18	21.68
75-73-005	180	42.00	23.18	21.68
75-73-006	220	42.00	23.18	21.68
75-73-007	240	42.00	23.18	21.68
75-73-008	280	42.00	23.18	21.68
75-73-009	320	42.00	23.18	21.68
75-73-010	400	42.00	23.18	21.68

Nonwoven Abrasives

18 Series - Mirlon Scuff Pads

A flexible, three-dimensional fibre sanding material for use on profiled surfaces and for matting of surfaces. Creates base for the next lacquer layer.



Product Code	Description	Box Qty.	Boxes Per Case	List	Box	Case
Mirlon 6" x 9" Scuff Pad						
75-79-003	Very Fine	20	4	\$1.72	\$0.98	\$0.91
75-79-005	Ultra Fine	20	4	3.34	1.91	1.78
Mirlon Total 4-1/2" x 9" Scuff Pad						
75-79-007	360	25	4	1.40	1.02	0.82
75-79-008	1500	25	4	2.72	1.98	1.60
75-79-009	2500	25	4	4.06	2.94	2.38

Abrasive Discs

BaseCut 5 in. PSA Linkrol Discs

BaseCut makes an aggressive initial cut and has a long working lifespan. For a wide variety of applications, including wood, composites and more. 100 per roll. 10 rolls per case.



Product Code	Grade	List	Box	Case
BaseCut® 5" PSA Linkrol Disc				
75-60-030	80	\$33.74	\$19.19	\$17.96
75-60-031	100	31.82	18.11	16.94
75-60-032	120	31.82	18.11	16.94
75-60-033	150	31.82	18.11	16.94
75-60-034	180	31.82	18.11	16.94
75-60-035	220	31.82	18.11	16.94
75-60-036	240	31.82	18.11	16.94
75-60-037	320	31.82	18.11	16.94



Abrasive Discs

Mirka Gold 5 in. PSA Discs

Mirka Gold is a durable product for sanding at high speeds. Gold is an all-round sanding material that can be used for many purposes. For optimal sanding results, the semi-open grit binding and special stearate coating are designed to prevent clogging and pill forming. 10 boxes per case.

Product Code	Grade	Box Qty.	List	Box	Case
Bulldog Gold 5" PSA Disc					
75-60-114	36	50	\$73.20	\$41.64	\$38.96
75-60-117	80	100	57.92	31.85	29.86
75-60-118	100	100	49.64	27.30	25.60
75-60-119	120	100	49.64	27.30	25.60
75-60-120	150	100	49.64	27.30	25.60
75-60-121	180	100	49.64	27.30	25.60
75-60-122	220	100	49.64	27.30	25.60
75-60-123	240	100	49.64	27.30	25.60
75-60-125	320	100	49.64	27.30	25.60



Abrasive Discs

Mirka Gold 6 in. PSA Linkrol Discs

Mirka Gold is a durable product for sanding at high speeds. Gold is an all-round sanding material that can be used for many purposes. For optimal sanding results, the semi-open grit binding and special stearate coating are designed to prevent clogging and pill forming. 100 per roll. 10 rolls per case.

Product Code	Dimensions	Grade	List	Box	Case
Bulldog Gold 6" PSA Linkrol Disc					
75-60-141	6"	150	\$73.20	\$41.64	\$38.96
75-60-142	6"	180	73.20	41.64	38.96
75-60-143	6"	220	73.20	41.64	38.96
75-60-144	6"	240	73.20	41.64	38.96
75-60-146	6"	320	73.20	41.64	38.96
75-60-147	6"	400	73.20	41.64	38.96



Abrasive Discs

Mirka Gold Hook & Loop

Mirka Gold is a durable product for sanding at high speeds. Gold is an all-round sanding material that can be used for many purposes. For optimal sanding result, the semi-open grit binding and special stearate coating are designed to prevent clogging and pill forming. 50 per box. 10 boxes per case.

Product Code	Dimensions	Grade	List	Box	Case
Bulldog Gold 5" Grip Disc					
75-60-258	5"	80	\$36.92	\$21.00	\$19.65
75-60-259	5"	100	32.46	18.47	17.28
75-60-260	5"	120	32.46	18.47	17.28
75-60-261	5"	150	32.46	18.47	17.28
75-60-262	5"	180	32.46	18.47	17.28
75-60-263	5"	220	32.46	18.47	17.28
75-60-264	5"	240	32.46	18.47	17.28
75-60-265	5"	280	32.46	18.47	17.28
75-60-266	5"	320	32.46	18.47	17.28
Bulldog Gold 6" Grip Disc					
75-60-303	6"	80	54.74	31.14	29.13
75-60-305	6"	120	47.74	27.16	25.41
75-60-306	6"	150	47.74	27.16	25.41
75-60-307	6"	180	47.74	27.16	25.41
75-60-308	6"	220	47.74	27.16	25.41
75-60-309	6"	240	47.74	27.16	25.41
75-60-310	6"	280	47.74	27.16	25.41
75-60-311	6"	320	47.74	27.16	25.41
75-60-312	6"	400	47.74	27.16	25.41



Abrasive Discs

Mirka Gold 5 in. 5-Hole Grip Discs

Mirka Gold is a durable product for sanding at high speeds. Gold is an all-round sanding material that can be used for many purposes. For optimal sanding result, the semi-open grit binding and special stearate coating are designed to prevent clogging and pill forming. 50 per box. 10 boxes per case.

Product Code	Dimensions	Grade	List	Box	Case
75-60-273	5"	80	\$36.92	\$21.00	\$19.65
75-60-274	5"	100	32.46	18.47	17.28
75-60-275	5"	120	32.46	18.47	17.28
75-60-276	5"	150	32.46	18.47	17.28
75-60-277	5"	180	32.46	18.47	17.28
75-60-278	5"	220	32.46	18.47	17.28
75-60-279	5"	240	32.46	18.47	17.28
75-60-280	5"	280	32.46	18.47	17.28
75-60-281	5"	320	32.46	18.47	17.28



Abrasive Discs

Mirka Gold 5 in. 8-Hole Grip Discs

Mirka Gold is a durable product for sanding at high speeds. Gold is an all-round sanding material that can be used for many purposes. For optimal sanding result, the semi-open grit binding and special stearate coating are designed to prevent clogging and pill forming. 50 per box. 10 boxes per case.

Product Code	Dimensions	Grade	List	Box	Case
75-60-289	5"	80	\$36.92	\$21.00	\$19.65
75-60-290	5"	100	32.46	18.47	17.28
75-60-291	5"	120	32.46	18.47	17.28
75-60-292	5"	150	32.46	18.47	17.28
75-60-293	5"	180	32.46	18.47	17.28
75-60-294	5"	220	32.46	18.47	17.28
75-60-295	5"	240	32.46	18.47	17.28
75-60-296	5"	320	32.46	18.47	17.28

We have four locations to serve you:

- Maywood, IL
- Rockford, IL
- Indianapolis, IN
- White Bear Lake, MN



Abrasive Discs

2B Series – Mirka Q-Silver 6 in. PSA Linkrol Discs



With a backing consisting of a flexible and strong impregnated latex paper, Q-Silver features optimal aggressivity, resulting in fast and efficient stock removal. The high heat endurance of this fully resin bonded abrasive makes it ideal for tough tasks, such as 'down-to-metal' sanding operations. 100 per roll. 10 rolls per case.

Product Code	Dimensions	Grade	List	Box	Case
75-60-470	6"	80	\$93.56	\$53.23	\$49.80
75-60-471	6"	120	82.10	46.71	43.70
75-60-473	6"	180	82.10	46.71	43.70
75-60-475	6"	240	82.10	46.71	43.70
75-60-476	6"	320	82.10	46.71	43.70

Abrasive Discs

2B Series – Mirka Q-Silver 6 in. Grip Discs



With a backing consisting of a flexible and strong impregnated latex paper, Q-Silver features optimal aggressivity, resulting in fast and efficient stock removal. The high heat endurance of this fully resin bonded abrasive makes it ideal for tough tasks, such as 'down-to-metal' sanding operations. 50 per box. 10 Boxes per case.

Product Code	Dimensions	Grade	List	Box	Case
Q.Silver 6" Grip Disc					
75-60-516	6"	80	\$57.92	\$32.95	\$30.83
75-60-517	6"	120	50.28	28.61	26.76
75-60-518	6"	150	50.28	28.61	26.76
75-60-519	6"	180	50.28	28.61	26.76
75-60-520	6"	220	50.28	28.61	26.76
75-60-521	6"	240	50.28	28.61	26.76
75-60-522	6"	320	50.28	28.61	26.76

Abrasive Discs

Mirka Abralon Foam Grip Discs



Mirka Abralon® is a unique multifunctional patented sanding material developed for the flexible sanding of both smooth and profiled surfaces. It creates a smooth sanding pattern on angled surfaces and edges, while minimizing the risk of pressure marks. The flexible weave allows water and air to pass freely, making the product suitable for both dry and wet sanding, either by machine or hand. Also used for finishing and pre-polishing gelcoat, SMC, glass reinforced plastic (GRP), and lacquers.

Product Code	Dimensions	Grade	Box Qty.	Boxes Per Case	List	Box	Case
Abralon® 6" Foam Grip Disc							
75-60-617	6"	360	20	5	\$6.30	\$3.58	\$3.35
75-60-618	6"	500	20	5	6.30	3.58	3.35
75-60-619	6"	1000	20	5	6.30	3.58	3.35
75-60-620	6"	2000	20	5	6.30	3.58	3.35
75-60-623	6"	Assort.	12	2	103.10	58.66	54.88
Abralon® 12" Foam Grip Disc							
75-60-631	12"	180	5	5	23.18	13.18	12.33
75-60-632	12"	360	5	5	23.18	13.18	12.33
75-60-633	12"	500	5	5	23.18	13.18	12.33
75-60-634	12"	1000	5	5	23.18	13.18	12.33

Assorted box includes: 2 each 180, 360, 500, 1000, 2000, 4000 grit discs.



Abrasive Discs

Mirka Abranet Mesh Grip Discs

Provides dust-free sanding. Contains thousands of small holes, making it possible to effectively vacuum away dust and other particles without clogging the disc surface. Results in a uniform sanding pattern and a smooth surface. For use with sanding putty, primers, lacquers, and composite materials. 50 per box. 10 boxes per case.



Product Code	Grade	List	Box	Case
Abranet® 5" Mesh Grip Disc				
75-60-654	80	\$72.56	\$41.28	\$38.62
75-60-655	100	63.64	36.21	33.88
75-60-656	120	63.64	36.21	33.88
75-60-657	150	63.64	36.21	33.88
75-60-658	180	63.64	36.21	33.88
75-60-659	220	63.64	36.21	33.88
75-60-660	240	63.64	36.21	33.88
75-60-661	320	63.64	36.21	33.88
75-60-662	400	63.64	36.21	33.87
75-60-664	600	63.64	36.21	33.87
75-60-667*	Assorted			
Abranet® 6" Mesh Grip Disc				
75-60-669	80	87.82	49.97	46.74
75-60-670	100	76.38	43.45	40.65
75-60-671	120	76.38	43.45	40.65
75-60-672	150	76.38	43.45	40.65
75-60-673	180	76.38	43.45	40.65
75-60-674	220	76.38	43.45	40.65
75-60-675	240	76.38	43.45	40.65
75-60-676	320	76.38	43.45	40.65
75-60-677	400	76.38	43.45	40.65
75-60-681*	Assorted			
Abranet® 8" Mesh Grip Disc				
75-60-684	120	152.10	86.54	80.96
75-60-685	180	152.10	86.54	80.96
75-60-686	240	152.10	86.54	80.96
Abranet® 11" Mesh Grip Disc				
75-60-693	120	5.04	2.87	2.69
75-60-694	180	5.04	2.87	2.69
75-60-695	240	5.04	2.87	2.69
75-60-696	320	5.04	2.87	2.69

*Assorted box includes: 5 each 80, 120, 180, 240, 320, 400, 600 grit discs.



Portable Abrasive Belts 57-Series – Mirka Hiolit Brand X-Weight



Hiolit X is a stiffer product than Hiolit J and is recommended for belt sanding and other machine sanding. The grits 36 -80 are suitable for aggressive sanding, e.g. severe rust damage, and other sanding operations where large amounts of material have to be removed. 5 boxes per case.

Product Code	Grade	Box Qty.	List	Box	Case
Hiolit-X 2.5" x 14" Portable Belt					
75-65-001	60	5	\$13.14	\$9.55	\$8.08
75-65-002	80	5	11.82	8.60	7.27
75-65-003	100	5	11.16	8.12	7.03
75-65-004	120	5	11.16	8.12	7.03
75-65-005	150	5	11.16	8.12	7.03
75-65-006	180	5	11.16	8.12	7.03
75-65-007	Assorted	5	15.10	10.07	9.29
Hiolit-X 3" x 21" Portable Belt					
75-65-009	40	5	13.80	7.61	7.12
75-65-010	50	10	26.26	14.49	13.55
75-65-011	60	10	25.60	14.63	13.65
75-65-012	80	10	24.94	14.25	13.30
75-65-013	100	10	24.30	13.88	12.95
75-65-014	120	10	24.30	13.88	12.95
75-65-015	150	10	24.30	13.88	12.95
Hiolit-X 3" x 24" Portable Belt					
75-65-017	40	5	15.10	8.63	8.05
75-65-018	50	10	28.22	16.13	15.05
75-65-019	60	10	26.92	15.38	14.35
75-65-020	80	10	26.26	15.00	14.00
75-65-021	100	10	25.60	14.63	13.65
75-65-022	120	10	25.60	14.63	13.65
75-65-023	150	10	25.60	14.63	13.65
Hiolit-X 4" x 24" Portable Belt					
75-65-025	40	5	17.72	10.13	9.45
75-65-026	50	10	34.14	19.50	18.20
75-65-027	60	10	32.82	18.75	17.50
75-65-028	80	10	32.16	18.38	17.15
75-65-029	100	10	31.50	18.00	16.80
75-65-030	120	10	31.50	18.00	16.80
75-65-031	150	10	31.50	18.00	16.80



Proudly Serving the Midwest



Abrasive Sponges

Mirka Abrasive Sponges

Delivers an exceptionally smooth long-lasting cut. Perfect for contoured surfaces. Can be used wet or dry.



Product Code	Grade	List	1-49	50-249	250+
3.75" x 4.75" x 0.5" Double Sided					
75-73-200	100	\$1.32	\$0.73	\$0.70	\$0.66
75-73-201	150	1.32	0.73	0.70	0.66
75-73-202	180	1.32	0.73	0.70	0.66
75-73-203	220	1.32	0.73	0.70	0.66

Product Code	Grade	List	1-9	10-49	250+
2.75" x 3.94" x 1" Four Sided					
75-73-205	60	\$2.04	\$1.12	\$1.09	\$1.02
75-73-206	100	2.04	1.12	1.09	1.02
75-73-207	180	2.04	1.12	1.09	1.02

Product Code	Grade	List	1-19	20-99	250+
4.5" x 5.5" x 0.25" Single Sided					
75-73-214	60	\$1.76	\$0.97	\$0.94	\$0.88
75-73-215	100	1.76	0.97	0.94	0.88
75-73-216	150	1.76	0.97	0.94	0.88
75-73-217	180	1.76	0.97	0.94	0.88
75-73-218	220	1.76	0.97	0.94	0.88

Backup Pads

Mirka – 5 in. Diameter

Mirka's backup pads are manufactured using a top quality molded polymer construction. Each pad is balanced to eliminate vibration and provide superior finishing. The medium density polyurethane foam is firm enough to level substrates, while conforming to minor surface contours. For use on orbital sanders with single 5/16" x 24 thread spindle.



Product Code	Description	List	1-9	10+
75-41-213	Vinyl faced pad for PSA	\$37.56	\$21.37	\$19.99
75-41-214	Grip faced pad for hook & loop	40.74	23.18	21.68
75-41-224	Vinyl soft faced pad	43.28	24.63	23.04
75-41-225	Grip soft faced pad for hook & loop	45.20	25.71	24.05
75-41-230	Grip faced Abranet vac pad	63.00	35.85	33.54
75-41-231	Grip soft faced Abranet vac pad	63.00	35.85	33.54

Backup Pads

Mirka – 6 in. Diameter

Mirka's backup pads are manufactured using a top quality molded polymer construction. Each pad is balanced to eliminate vibration and provide superior finishing. The medium density polyurethane foam is firm enough to level substrates, while conforming to minor surface contours. For use on orbital sanders with single 5/16" x 24 thread spindle.



Product Code	Description	List	1-9	10+
75-41-233	Vinyl faced pad for PSA	\$38.20	\$21.73	\$20.33
75-41-234	Grip faced pad for hook & loop	43.28	24.63	23.04
75-41-240	Vinyl soft faced pad for PSA	47.74	27.16	25.41
75-41-241	Grip faced soft for hook & loop	47.74	27.16	25.41
75-41-246	Grip faced for Abranet vac pad	64.28	36.57	34.21



Abrasive Accessories

Mirka Grip Faced Pad Protector

Features multiple holes, and works with Abranet abrasives. The pad protector makes Abranet discs stick better and protects backup pads from premature wear.

Product Code	Dimensions	List	1-4	5+
75-41-278	5" dia. 1/8" thick	\$7.26	\$4.13	\$3.87
75-41-279	6" dia. 1/8" thick	8.92	5.07	4.75



Abrasive Accessories

Vacuum Cleaner

Versatile industrial L-class vacuum cleaner is equipped with an automatic electric start, adjustable suction and an earthed hose connection to eliminate static electricity in the hose. A fleece dust bag is also included. Should be used with Mirka antistatic hoses.

Product Code	Description	List	Each
75-41-333	30L Portable Dust Extractor	\$800.49	\$568.65
75-41-335	1-1/4" x 12' Vacuum Hose	81.08	63.37
75-41-343	Dust Bag (package of 5)	85.35	60.82



Finishing Sander

Mirka Non-vacuum Sander with 3/16" (5mm) Orbit with PSA Pad

For general purpose sanding. Lightweight sander constructed of precision molded composites for strength and durability, while reducing operator fatigue. Composite construction also reduces sound for increased comfort. It provides true 12,000 rpm performance - for maximum productivity. Features moisture-resistant composite rotors, machined and balanced counterweights and premium counterweight bearings for long life and superior reliability. Can be converted to vacuum operation with model-specific kits. Includes PSA backup pad, pad wrench, and a bottle of air-tool oil.

Product Code	Diameter	List	Each
75-41-369	5"	\$289.10	\$206.02
75-41-380	6"	289.10	206.02

Finishing Sanders

Mirka Ceros Electric DC Motor Random Orbit Sander

Finally, the portability of an electric sander with the smooth, lightweight operation of an air sander. This lightweight sander features a direct current motor that actually delivers more power than an air sander with defined maximum rpm settings of 4000, 5000, 6000, 7000, 8000, 9000, and 10000. The trigger can be set for variable speeds and the exhaust port can be hooked directly to any Fein or Festool dust extractor hose. The tool also comes with a sustainer that will latch on to your Festool sustainers and dust extractors.



Product Code	Description	List	Each
75-41-379	5" Finishing Sander	\$766.16	\$545.99
75-41-389	6" Finishing Sander	771.81	550.31

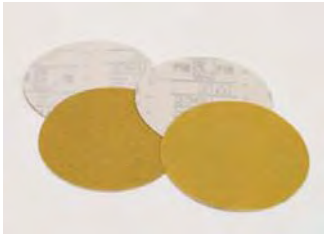
Finishing Sanders

Mirka Deros Electric DC Motor Random Orbit Sander

Introducing Mirka® DEROS, the first random orbital electric sander using advanced brushless DC motor technology, without the need for an external power transformer. Performance unequalled by any competitive electric tool can now be found within reach of any standard 110 volt outlet. Mirka® DEROS is available in 5" and 6" models, and uses standard backing pads with a 5/16" threaded mount. Sanders are vacuum-ready using multi-hole backing pads with hook and loop attachment. DEROS features digitally controlled variable speeds from 4,000 to 10,000 rpm to provide the ideal finish for a variety of applications.



Product Code	Description	List	Each
75-41-370	5" Finishing Sander	\$835.46	\$595.00
75-41-381	6" Finishing Sander	835.46	595.00



Abrasive Discs

Paper – Hookit™ II – 236U

An aluminum oxide dust free disc constructed on a C weight, intermediate paper backing. Primary markets: metalworking, woodworking. 50 discs per box; 5 boxes per case.

Product Code	Grade	List	Box	Case
5" Diameter – No Holes				
75-51-338	P80	\$21.60	\$16.20	\$15.12
75-51-342	P180	20.36	15.30	14.28
75-51-343	P220	20.40	15.30	14.28
5" Diameter – 5 Holes				
75-51-347	P80	21.48	16.20	15.12
75-51-533	P100	24.08	17.07	16.23
75-51-349	P150	22.12	16.54	15.71
75-51-350	P180	19.28	15.30	14.28
75-51-351	P220	19.28	15.30	14.28

Limited to quantity on hand.



Abrasive Discs

Film – Hookit™ – 255L

An aluminum oxide disc constructed on a film backing. Resin bonded for heat resistance. Primary markets: metalworking, woodworking. 4 boxes per case.

Product Code	Grade	Box Qty.	List	Box	Case
5" Diameter – No Holes					
75-51-445	P80	75	\$63.80	\$48.61	\$45.37
75-51-446	P100	100	72.06	54.90	51.24
75-51-447	P120	100	72.06	54.90	51.24
75-51-448	P150	100	72.06	54.90	51.24
75-51-449	P180	100	72.06	54.90	51.24
75-51-450	P220	100	72.06	54.90	51.24
75-51-451	P240	100	72.06	54.90	51.24
75-51-452	P320	100	72.06	54.90	51.24
5" Diameter – 5 Holes					
75-51-494	P80	75	63.35	48.27	45.05
75-51-495	P100	100	72.56	55.28	51.59
75-51-496	P120	100	72.56	55.28	51.59
75-51-497	P150	100	72.56	55.28	51.59
75-51-498	P180	100	72.56	55.28	51.59
75-51-499	P220	100	72.56	55.28	51.59
6" Diameter – 6 Holes					
75-51-471	P80	75			
75-51-472	P100	100	88.80	69.30	64.68
75-51-473	P120	100	88.80	69.30	64.68
75-51-475	P180	100	89.56	69.30	64.68
75-51-476	P220	100	79.20	69.30	64.68
75-51-531	P320	100	75.60	69.30	65.84



Abrasive Discs

Paper – Hookit™ II – 415U

Constructed of silicon carbide and provides an excellent finish where a refined wood surface is desired; in most applications will be less durable than aluminum oxide. The open coat feature provides a more aggressive cut than a comparable closed coat abrasive of the same grade and a special loading resistant coating makes this disc a good choice when loading is a problem. The A-weight, paper backing is lightweight and flexible and suitable for most general purpose sanding applications. 5" diameter. 50 discs per box; 5 boxes per case.

Product Code	Grade	List	Box	Case
75-51-420	150	\$12.12	\$10.80	\$10.08
75-51-422	220	12.12	10.80	10.08

Limited to quantity on hand.

Abrasive Discs

Hookit™ – 734U/735U

Disc with precise 6-hole design for improved life and dust extraction. Use for rough featheredging. Could be used for final sanding of plastic filler and putty. 3M's fastest cutting, longest lasting abrasive for saving labor costs and improving quality. Suggested backup pads PN05851 and PN05865. Purple. 6" diameter. 50 discs per box; 5 boxes per case.



Product Code	Grade	Desc.	List	Box	Case
6" – No Holes					
75-51-477	P80	735U	\$42.53	\$32.40	\$30.24
75-51-478	P100	735U	39.59	30.15	28.14
75-51-479	P120	734U	39.59	30.15	28.14
75-51-480	P150	735U	39.59	30.15	28.14
75-51-481	P180	735U	39.59	30.15	28.14
6" – 6 Holes					
75-51-514	P80	735U	46.08	35.10	32.76
75-51-515	P100	735U	42.87	32.67	30.49
75-51-516	P120	734U	42.87	32.67	30.49
75-51-517	P150	734U	42.87	32.67	30.49
75-51-518	P180	735U	42.87	32.67	30.49

Clean Sanding Discs

Hookit™ – 236U

Features aluminum oxide abrasive on C weight paper backing and precise hole design for dust extraction. Non-loading. 50 per box. 5 boxes per case.



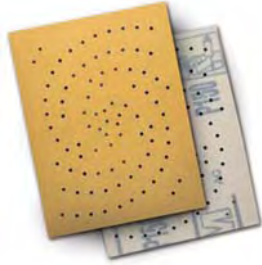
Product Code	Diameter		Grade	List	Box	Case
	In.					
75-50-300	5		P80	\$43.91	\$33.60	\$31.29
75-50-301	5		P100	43.91	33.60	31.29
75-50-302	5		P120	43.91	33.60	31.29
75-50-303	5		P150	43.91	33.60	31.29
75-50-304	5		P220	43.91	33.60	31.29
75-50-310	6		P80	58.53	44.80	41.72
75-50-311	6		P100	52.44	40.14	37.37
75-50-312	6		P120	52.44	40.14	37.37
75-50-313	6		P150	52.44	40.14	37.37
75-50-314	6		P220	52.44	40.14	37.37



Clean Sanding Sheets

Hookit™ – 236U

Features aluminum oxide abrasive on C weight paper backing and precise hole design for dust extraction. Non-loading. Measures 3" W x 4" L. 50 per box; 10 boxes per case.



Product Code	Grade	List	Box	Case
75-50-350	P80	\$30.50	\$23.34	\$21.73
75-50-351	P100	28.05	21.47	19.99
75-50-352	P120	28.05	21.47	19.99
75-50-353	P150	28.05	21.47	19.99
75-50-354	P180	28.05	21.47	19.99
75-50-355	P220	28.05	21.47	19.99
75-50-356	P320	28.05	21.47	19.99
75-50-357	P400	28.05	21.47	19.99

Abrasive Discs

Imperial™ Hookit™ – 735U

High-performance discs designed to cut faster and last longer enabling the user to obtain maximum usage from each disc. Excellent for use on tough marine gelcoat, paint and primer systems. Use with disc pads PN05775 and PN05775. Purple. 5" diameter. 50 discs per box; 5 boxes per case.



Product Code	Grade	List	Box	Case
5" – No Holes				
75-51-455	P80	\$30.72	\$23.40	\$21.84
75-51-456	P100	28.35	21.60	20.16
75-51-457	P120	28.35	21.60	20.16
75-51-458	P150	28.35	21.60	20.16
5" – 5 Holes				
75-51-509	P80	30.72	23.40	21.84
75-51-510	P100	28.35	21.60	20.16
75-51-511	P120	28.35	21.60	20.16
75-51-512	P150	28.35	21.60	20.16
75-51-513	P180	28.35	21.60	20.16

Abrasive Discs

Imperial™ Hookit™ II – 734U

Use for shaping plastic filler, removing paint around damaged area and scratch refinement of bare metal. 3Ms fastest cutting, longest lasting abrasive for saving labor costs and improving quality. Purple. 50 discs per box; 4 boxes per case.



Product Code	Grade	List	Box	Case
5" Diameter – No Holes				
75-51-461	P100	\$32.52	\$28.85	\$26.93
75-51-462	P120	32.52	27.61	25.77

Limited to quantity on hand.



Abrasive Discs

Paper – Hookit™ – 236U

An aluminum oxide dust free disc constructed on a C weight, intermediate paper backing. Primary markets: metalworking, woodworking. 50 discs per box; 5 boxes per case.

Product Code	Grade	List	Box	Case
75-50-445	P80	\$32.42	\$24.82	\$23.10
75-50-446	P100	29.25	22.28	20.79
75-50-447	P120	29.25	22.28	20.79
75-50-448	P150	29.25	22.28	20.79
75-50-449	P180	29.25	22.28	20.79
75-50-450	P220	29.25	22.28	20.79
75-50-451	P240	29.25	22.28	20.79
75-50-452	P320	29.25	22.28	20.79
Hookit™ 6" Diameter - 8 Holes – Festool Pattern				
75-51-489	P80	41.60	31.69	29.58
75-51-490	P120	38.40	29.25	27.30
75-51-491	P150	38.40	29.25	27.30
75-51-492	P180	38.40	29.25	27.30
75-51-493	P220	38.40	29.25	27.30
Hookit™ 6" Diameter - 8 Holes – Fein Pattern				
75-50-241	P80	58.74	33.42	31.27
75-50-244	P100	52.96	30.13	28.19
75-50-247	P120	52.96	30.13	28.19
75-50-250	P150	52.96	30.13	28.19
75-50-253	P180	52.96	30.13	28.19
75-50-256	P220	52.96	30.13	28.19



Abrasive Discs

Film – Stikit™ – 255L

Constructed of durable aluminum oxide; works well for most wood species. The open coat feature provides a more aggressive cut than a comparable closed coat abrasive of the same grade and a special loading resistant coating makes this disc a good choice when loading is a problem. The flexible film backing provides a consistent finish and greater tear-resistance than a comparable paper product. 4 rolls per case.

Product Code	Grade	Discs Per Roll	List	Roll	Case
5" Diameter					
75-51-423	P80	100	\$71.25	\$54.29	\$50.67
75-51-424	P100	125	77.25	58.86	54.94
75-51-425	P120	125	77.25	58.86	54.94
75-51-426	P150	125	77.25	58.86	54.94
75-51-427	P180	125	77.25	58.86	54.94
75-51-428	P220	125	77.25	58.86	54.94
75-51-431	P320	125	77.25	58.86	54.94
6" Diameter					
75-51-521	P100	125	146.33	111.49	104.06
75-51-522	P120	125	146.33	111.49	104.06
75-51-523	P150	125	146.33	111.49	104.06
75-51-524	P180	125	146.33	111.49	104.06
75-51-525	P220	125	146.33	111.49	104.06



Abrasive Discs

Crystal Bay™ – Stikit™ – 316U

Use for shaping plastic filler, removing paint around damaged area and scratch refinement of bare metal. 100 discs per roll; 6 rolls per case.

Product Code	Grade	List	Roll	Case
6" Diameter				
75-51-299	P100	\$30.60	\$22.94	\$21.41
75-51-300	P120	33.32	24.99	23.33

Abrasive Discs

Paper – Stikit™ – 236U

An aluminum oxide disc roll constructed on a C weight, intermediate paper backing. Primary markets: metalworking, woodworking. Open coat design. 100 discs per roll; 4 rolls per case.



Product Code	Grade	List	Roll	Case
5" Diameter – No Holes				
75-50-001	P80	\$73.76	\$42.14	\$39.34
75-50-004	P100	59.30	33.88	31.62
75-50-007	P120	59.30	33.88	31.62
75-50-010	P150	59.30	33.88	31.62
75-50-013	P180	59.30	33.88	31.62
75-50-016	P220	59.30	33.88	31.62
75-50-018	P320	59.30	33.88	31.62
75-50-019	P400	59.30	33.88	31.62
75-50-020	P500	59.30	33.88	31.62
5" Diameter – 5 Holes				
75-50-031	P80	62.40	35.66	33.28
75-50-034	P100	73.76	42.14	39.34
75-50-037	P120	59.30	33.88	31.62
75-50-040	P150	59.30	33.88	31.62
75-50-043	P180	59.30	33.88	31.62
75-50-046	P220	59.30	33.88	31.62
75-50-047	P240	59.30	33.88	31.62
75-50-048	P320	59.30	33.88	31.62
75-50-049	P400	59.30	33.88	31.62
6" Diameter – No Holes				
75-50-061	P80	90.68	51.81	48.36
75-50-064	P100	83.72	47.84	44.65
75-50-067	P120	83.72	47.84	44.65
75-50-070	P150	83.72	47.84	44.65
75-50-073	P180	83.72	47.84	44.65
75-50-076	P220	83.72	47.84	44.65
75-50-078	P320	83.72	47.84	44.65
6" Diameter – 6 Holes				
75-50-091	P80	88.10	50.35	46.99
75-50-094	P100	90.68	51.81	48.36
75-50-097	P120	81.18	46.19	43.21
75-50-100	P150	81.18	46.19	43.21
75-50-103	P180	81.18	46.19	43.21
75-50-106	P220	81.18	46.19	43.21
75-50-107	P240	81.18	46.19	43.21



Abrasive Discs

Paper – Stikit™ – 426U

Constructed of silicon carbide and provides an excellent finish where a refined wood surface is desired; in most applications will be less durable than aluminum oxide. The open coat feature provides a more aggressive cut than a comparable closed coat abrasive of the same grade and a special loading resistant coating makes this disc a good choice when loading is a problem. The A-weight, paper backing is light-weight and flexible and suitable for most general purpose sanding applications.



Product Code	Diameter In.	Grade	Discs Per Roll	Case Qty.	List	Roll	Case
75-51-436	5	120	125	8	\$43.26	\$32.96	\$30.77
75-51-439	5	220	250	4	71.60	54.79	51.14

Abrasive Discs

Paper – Hookit™ – 415U

For whitewood sanding. Features silicon carbide abrasive on flexible A weight paper backing, and load resistant coating. Open coat design. 5" diameter. 50 discs per box; 5 boxes per case.



Product Code	Grade	List	Box	Case
75-50-268	P100	\$12.64	\$14.18	\$13.17
75-50-269	P120	13.76	14.18	13.17

Abrasive Discs

Imperial™ Stikit™ – 735U with tab

Used for shaping plastic filler, removing paint around damaged area and scratch refinement of bare metal. 3M's fastest cutting, longest lasting abrasive for saving labor costs and improving quality. 50 discs per box; 5 boxes per case.



Product Code	Grade	List	Box	Case
75-50-402	P80	\$31.71	\$24.27	\$22.60
75-50-403	P100	29.27	22.40	20.86
75-50-404	P120	29.27	22.40	20.86
75-50-405	P150	29.27	22.40	20.86
75-50-406	P180	29.27	22.40	20.86
75-50-407	P220	29.27	22.40	20.86

Abrasive Discs

Cloth – Stikit™ – 900DZ

For tough sanding jobs, features long-lasting Cubitron™ abrasive grain. The open coat feature provides a more aggressive cut than a comparable closed coat abrasive of the same grade and is well-suited when loading is a problem. The J-weight, cloth backing is suitable for flexible, flat and contour sanding. Purple. 50 discs per box; 5 boxes per case.



Product Code	Diameter In.	Grade	List	Box	Case
75-51-465	5	P80	\$59.07	\$45.00	\$42.00
75-51-466	5	P100	57.30	43.65	40.74
75-51-467	5	P120	57.30	43.65	40.74
75-51-468	5	P150	57.30	43.65	40.74



Microfinishing Film

Micron – 366L/268L

Precision, micron-graded, resin-bonded, polyester film backing. Aggressive cut with uniform finish. Anti-loading Fre-Cut™ coating provides greater efficiency and longer product life. Use on plastic, fiberglass, wood, metal, solid-surface composites.

Product Code	Grade Microns	Box Qty.	Case Qty.	List	Box	Case
Hookit™ – 5" Diameter – No Holes						
75-51-057	100	50	10	\$52.13	\$38.22	\$35.84
75-51-061	80	50	10	52.13	38.22	35.84
75-51-065	60	50	10	52.13	38.22	35.84
75-51-069	40	50	10	52.13	38.22	35.84
75-51-073	30	50	10	52.13	38.22	35.84
Hookit™ – 5" Diameter – 5 Holes						
75-51-085	100	50	10	61.43	45.05	42.23
75-51-089	80	50	10	61.43	45.05	42.23
75-51-093	60	50	10	61.43	45.05	42.23
75-51-097	40	50	10	61.43	45.05	42.23
Hookit™ – 6" Diameter – No Holes						
75-51-169	100	50	10	81.90	60.06	56.31
75-51-173	80	50	10	81.90	60.06	56.31
75-51-177	60	50	10	81.90	60.06	56.31
75-51-185	30	50	10	81.90	60.06	56.31
Hookit™ – 6" Diameter – 6 Holes						
75-51-197	100	50	10	81.90	60.06	56.31
75-51-201	80	50	10	81.90	60.06	56.31
75-51-205	60	50	10	81.90	60.06	56.31
75-51-213	30	50	10	81.90	60.06	56.31
Hookit™ – 6" Diameter – 8 Holes – Fein Pattern						
75-51-225	100	50	10	81.90	60.06	56.31
75-51-233	60	50	10	81.90	60.06	56.31
75-51-241	30	50	10	81.90	60.06	56.31
75-51-245	15	50	10	81.90	60.06	56.31
Hookit™ – 6" Diameter – 8 Holes – Festool Pattern						
75-51-482	100	50	10	74.46	54.60	51.19
75-51-483	80	50	10	74.46	54.60	51.19
75-51-484	60	50	10	74.46	54.60	51.19
75-51-486	30	50	10	74.46	54.60	51.19
Freecut PSA – 5" Diameter – No Holes						
75-51-001	100	50	10	39.53	28.98	27.17
75-51-005	80	50	10	39.53	28.98	27.17
75-51-009	60	50	10	39.53	28.98	27.17
75-51-013	40	50	10	39.53	28.98	27.17
75-51-017	30	50	10	39.53	28.98	27.17
75-51-021	15	50	10	39.53	28.98	27.17
Freecut PSA – 5" Diameter – 5 Holes						
75-51-029	100	50	10	45.92	33.67	31.57
75-51-037	60	50	10	45.92	33.67	31.57
75-51-049	15	50	10	45.92	33.67	31.57
Freecut PSA – 6" Diameter – No Holes						
75-51-113	100	50	10	59.00	43.26	40.56
75-51-117	80	50	10	59.00	43.26	40.56
75-51-121	60	50	10	59.00	43.26	40.56



Abrasive Discs

Film – Trizact™ – 268XA

For glass defect repair, Meganite and acrylic solid surface finishing. Precisely shaped pyramids wear away continually exposing fresh abrasive. Few processing steps, higher gloss level, effective surface leveling. Requires little water, easy touchup.



Product Code	Grade	Color	Case Qty.	List	Each	Case
PSA – 5" Diameter – No Holes						
75-51-253	A35	Green	4 Rolls of 25	\$76.38	\$56.02	\$52.52
75-51-257	A10	Blue	4 Rolls of 25	76.38	56.02	52.52
75-51-261	A5	Orange	4 Rolls of 25	76.38	56.02	52.52
75-51-265*	None	White	4 Rolls of 25	132.02	96.81	90.76
PSA – 6" Diameter – No Holes						
75-51-269	A35	Green	100	4.26	3.12	2.93
75-51-273	A10	Blue	100	4.26	3.12	2.93
75-51-277	A5	Orange	100	4.26	3.12	2.93
75-51-281*	None	White	100	7.38	5.41	5.07

* 568XA. For damp final sanding of acrylic surfaces.

Tack Cloths

Wood Refinishers'

Removes dust, dirt, lint and other particles that settle on wood surfaces. Use it to prepare surfaces before applying the first coat of stain, finish or sealer and again between coats to obtain a super-smooth finish. White. 48 per case.



Product Code	Dimensions In.	List	Each	Case
75-80-002	17 x 36	\$1.70	\$1.26	\$1.17

Conversion Pads



Product Code	Description	Diameter In.	Case Qty.	List	Each	Case
75-51-415	Hookit II to Scotch-Brite	5	5	\$10.40	\$8.44	\$7.88
75-51-413	Hookit to Scotch-Brite	5	5	10.25	7.56	7.05
75-51-414	Hookit to Scotch-Brite	6	5	12.98	9.57	8.93
75-51-412	Hookit to Hookit II	6	10	9.12	6.51	6.08

Disc Pads

No Holes – Hookit™

For use with Hookit™ discs. Made with a resilient backing plate assembly and a medium density foam for durability. Fits random orbital sanders with 5/16-24 internal thread. 10 per case.



Product Code	Dimensions In. Dia. x Thick.	Max. RPM/OPM	List	Each	Case
75-51-327	5 x 3/4	12,000	\$26.06	\$19.85	\$18.53
75-41-114	5 x 11/16	12,000	36.56	32.73	18.75
75-41-116	5 x 3/8	12,000	39.43	35.29	20.22



Disc Pads

Dust Free – Hookit™

5-Hole design for use with 5" Hookit™ dust-free discs. Has medium density foam and a 45 degree tapered edge for flexibility. Use with random orbital sanders with 5/16"-24 internal threads. 10 per case.

Product Code	Dimensions In. Dia. x Thick.	Max. RPM/OPM	List	Each	Case
75-51-328	5 x 3/4	12,000	\$28.36	\$23.64	\$22.46



Disc Pads

Dust Free – Hookit™ II

Specially designed for use with 5 inch dust-free discs. Tapered edge provides flexibility for easy feather edging of repaired area. 5/16"-24 thread. 10 per case.

Product Code	Dimensions In. Dia. x Thick.	List	Each	Case
75-51-332	5 x 3/4	\$23.16	\$21.25	\$19.84



Disc Pads

No Holes – Stikit™

For use with 5 inch diameter Stikit™ discs. Has medium density foam and a 45 degree tapered edge for flexibility. These lightweight, shock-resistant pads have a vinyl face (blue) that provides excellent disc adhesion yet allows quick, easy removal. 5/16"-24 thread. 10 per case.

Product Code	Dimensions In. Dia. x Thick.	Max. RPM/OPM	List	Each	Case
75-51-323	5 x 3/4	10,000/12,000	\$22.71	\$17.30	\$16.15



Clean Sanding Pads

Hookit™

Product Code	Description	Dimensions In. Dia. x Thick.	No. Holes	Case Qty.	List	Each	Case
75-41-104	Hook saver	5 x 3/4	44	20	\$3.87	\$3.18	\$2.76
75-41-107	Low profile	5 x 3/8	44	10	44.14	39.68	25.87
75-41-108	Low profile	6 x 3/8	52	10	47.83	43.00	28.03



Abrasive Belts

Cloth – Portable Tool – 341D

An aluminum oxide cloth belt constructed on a X weight, durable cloth backing. Resin bonded for heat resistance. Good general purpose belt for woodworking, particularly on harder woods. Primary markets: metalworking, woodworking. Well-suited for most portable belt sanding applications and wood species.

Product Code	Dimensions In. W x L	Grade	Box Qty.	Case Qty.	List	Box	Case
Closed Coat							
75-55-000	3 x 21	P36	5	5	\$15.54	\$11.84	\$11.05
75-55-001	3 x 21	P60	10	5	25.52	19.44	18.15
75-55-004	3 x 21	P80	10	5	23.16	17.64	16.47
75-55-007	3 x 21	P100	10	5	21.74	16.56	15.46
75-55-010	3 x 21	P120	10	5	21.74	16.56	15.46
75-55-013	3 x 21	P150	10	5	33.48	25.50	23.80
75-55-018	3 x 24	P36	5	5	16.55	12.60	11.76
75-55-020	3 x 24	P40	5	5	15.84	12.06	11.26
75-55-019	3 x 24	P60	10	5	27.18	20.70	19.32
75-55-022	3 x 24	P80	10	5	24.69	18.81	17.56
75-55-025	3 x 24	P100	10	5	23.16	17.64	16.47
75-55-028	3 x 24	P120	10	5	23.16	17.64	16.47
75-55-033	4 x 24	P36	5	5	27.59	21.02	19.62
75-55-034	4 x 24	P60	10	5	45.36	34.56	32.26
75-55-037	4 x 24	P80	10	5	41.24	31.41	29.32
75-55-040	4 x 24	P100	10	5	38.64	29.43	27.47
75-55-043	4 x 24	P120	10	5	38.64	29.43	27.47

Product Code	Dimensions In. W x L	Grade	Box Qty.	Case Qty.	List	Each	Case
Open Coat							
75-55-163	2-1/4 x 80	P80	–	50	6.41	4.88	4.56

We carry products from the world's largest and best manufacturers.

Centralize your purchases with us!



Abrasive Belts

Cloth – Portable Tool – 761D

For tough portable belt sanding jobs; features long-lasting, durable 3M™ Cubitron™ abrasive grain on a strong Y-weight backing. The closed coat feature provides a better finish and less aggressive cut than comparable open coat abrasives of the same grade. The purple* color indicates it's leading edge technology designed to provide the lowest possible manufacturing costs. *The purple color is a trademark of 3M. 5 per box; 5 boxes per case.

Product Code	Dimensions In.		Grade	List	Box	Case
	W	L				
75-55-090	3	18	P50	\$18.48	\$15.75	\$14.70
75-55-092	3	18	P80	15.60	11.88	11.09
75-55-093	3	18	P150	15.18	11.57	10.80
75-55-048	3	21	P50	17.96	13.68	12.77
75-55-049	3	21	P60	17.25	13.14	12.27
75-55-052	3	21	P80	16.61	12.65	11.81
75-55-055	3	21	P100	16.31	12.42	11.60
75-55-058	3	21	P120	16.31	12.42	11.60
75-55-063	3	24	P50	18.90	14.40	13.44
75-55-064	3	24	P60	18.44	14.04	13.11
75-55-067	3	24	P80	17.96	13.68	12.77
75-55-070	3	24	P100	17.37	13.23	12.35
75-55-073	3	24	P120	17.37	13.23	12.35
75-55-076	3	24	P150	17.37	13.23	12.35
75-55-077	4	24	P50	31.67	24.12	22.52
75-55-079	4	24	P60	30.78	23.45	21.89
75-55-082	4	24	P80	29.72	22.64	21.13
75-55-085	4	24	P100	28.83	21.96	20.50
75-55-088	4	24	P120	28.83	21.96	20.50
75-55-091	4	24	P150	28.83	21.96	20.50



Abrasive Belts

Paper – Wide – 251U

An aluminum oxide paper belt constructed on a E weight, heavy paper backing. Primary markets: metal-working, woodworking. 5 per case.

Product Code	Dimensions In.		Grade	List	Each	Case
	W	L				
75-55-224	37	60	P120	\$35.44	\$26.56	\$24.79
75-55-225	37	60	P150	35.44	26.56	24.79
75-55-233	37	75	P220	29.20	33.28	31.06



Abrasive Belts

Cloth – Wide

An aluminum oxide cloth belt constructed on a X weight, durable cloth backing. Resin bonded for heat resistance. Good general purpose belt for woodworking, particularly on harder woods. Primary markets: metalworking, woodworking.

Product Code	Dimensions In. W x L	Grade	Case Qty.	List	Each	Case
Closed Coat – 241D/341D						
75-55-181	25 x 48	P100	5	\$30.12	\$25.59	\$23.88
Open Coat – 240D/340D						
75-55-189	36 x 75	P60	5	51.84	39.50	36.86
75-55-190	36 x 75	P80	5	90.54	68.98	64.38
75-55-191	36 x 75	P100	5	51.84	39.50	36.86
75-55-192	36 x 75	P120	5	51.84	39.50	36.86
75-55-193	36 x 75	P150	5	51.84	39.50	36.86
75-55-194	37 x 60	P60	3	40.58	30.92	28.86
75-55-195	37 x 60	P80	3	40.58	30.92	28.86
75-55-196	37 x 60	P100	5	40.58	30.92	28.86
75-55-197	37 x 60	P120	5	40.58	30.92	28.86
75-55-198	37 x 60	P150	5	40.58	30.92	28.86
75-55-245	37 x 60	P220	5	36.64	27.46	25.63
75-55-199	37 x 75	P60	5	59.97	45.69	42.65
75-55-200	37 x 75	P80	5	50.75	38.66	36.09
75-55-201	37 x 75	P100	5	50.75	38.66	36.09
75-55-202	37 x 75	P120	5	50.75	38.66	36.09
75-55-203	37 x 75	P150	5	50.75	38.66	36.09
75-55-243*	43 x 75	P60	3	64.34	49.02	45.75
75-55-211	43 x 75	P80	3	61.92	47.17	44.03
75-55-212	43 x 75	P100	5	61.92	47.17	44.03
75-55-213	43 x 75	P120	5	61.92	47.17	44.03
75-55-214	43 x 75	P150	5	61.92	47.17	44.03
75-55-215	43 x 75	P180	5	61.92	47.17	44.03
75-55-216	43 x 75	P220	5	61.92	47.17	44.03

*Closed coat

Visit our Web site at
www.aetnaplywood.com!



Abrasive Belts

Cloth – Wide – 970DZ

A premium Cubitron™ abrasive grain open coat, non-loading cloth belt constructed on a Y weight, strong, durable cloth backing. Resin bonded for heat resistance. Features an anti-static property. Primary market: woodworking. Purple.



Product Code	Dimensions In. W x L	Grade	Case Qty.	List	Each	Case
75-55-112	36 x 75	P80	3	\$219.95	\$167.58	\$156.41
75-55-115	36 x 75	P100	5	195.38	148.86	138.93
75-55-118	36 x 75	P120	5	211.65	161.26	150.51
75-55-121	36 x 75	P150	5	211.65	161.26	150.51
75-55-124	36 x 75	P180	5	211.65	161.26	150.51

Abrasive Sheet Rolls

Stikit™

A silicon carbide refill roll constructed on a A weight, light paper backing. Features an anti-loading stearate coating. Primary markets: metalworking, woodworking. 50 rolls per case.



Product Code	Dimensions In. W x L	Grade	List	1-9	10+
415U/426U					
75-63-056	2-1/2 x 45	80	\$3.72	\$2.83	\$2.64
75-63-057	2-1/2 x 55	100	3.72	2.83	2.64
75-63-058	2-1/2 x 70	120	3.72	2.83	2.64
75-63-059	2-1/2 x 80	150	3.72	2.83	2.64
75-63-060	2-1/2 x 85	180	3.72	2.83	2.64
75-63-061	2-1/2 x 95	220	3.72	2.83	2.64
415N/426U					
75-63-066	3-1/4 x 45	80	3.89	2.96	2.76
75-63-067	3-1/4 x 55	100	3.89	2.96	2.76
75-63-068	3-1/4 x 70	120	3.89	2.96	2.76
75-63-069	3-1/4 x 80	150	3.89	2.96	2.76
75-63-070	3-1/4 x 85	180	3.89	2.96	2.76
75-63-071	3-1/4 x 95	220	4.23	3.23	3.01
75-63-072	3-1/4 x 100	240	4.13	3.14	2.93
75-63-073	3-1/4 x 115	280	4.23	3.23	3.01
75-63-074	3-1/4 x 125	320	4.23	3.23	3.01

Abrasives

Sanding Blocks

Stikit™

Carry their own abrasive supply. Sand corners with flat end; sand contours with rounded end. For fresh abrasive, lift sandpaper, pull from feed roll, press to cushioned backup pad, then tear off used paper. 6 per case.



Product Code	Width In.	List	Each	Case
75-63-065	2-1/2	\$15.08	\$11.49	\$10.72
75-63-075	3-1/4	21.83	16.63	15.52



Abrasive Sheets

110N

A garnet open coat, non-loading sheet constructed on an A weight, light paper backing. Primary market: woodworking. Measures 9" W x 11" L. 100 sheets per box; 10 boxes per case.



Product Code	Grade	List	Box	Case
75-63-019	80	\$33.08	\$25.20	\$23.52
75-63-022	100	54.35	41.40	38.64
75-63-025	120	54.35	41.40	38.64
75-63-028	150	54.35	41.40	38.64
75-63-031	180	54.35	41.40	38.64
75-63-034	220	54.35	41.40	38.64

Abrasive Sheets

Production™ Resinite™ – 216U

Use for shaping plastic filler, removing paint around damaged area and scratch refinement of bare metal. Measures 9" W x 11" L. 50 per box; 5 boxes per case.



Product Code	Grade	List	Box	Case
75-63-001	80	\$61.91	\$47.16	\$44.02
75-63-004	100	54.90	41.83	39.04
75-63-007	120	54.90	41.83	39.04
75-63-010	150	54.90	41.83	39.04
75-63-013	180	54.90	41.83	39.04
75-63-016	220	54.90	41.83	39.04
75-63-011	240	54.90	41.83	39.04
75-63-012	280	54.90	41.83	39.04
75-63-014	320	54.90	41.83	39.04
75-63-015	400	54.90	41.83	39.04

Abrasive Sheets

A silicon carbide sheet constructed on an A weight, light paper backing. Features an anti-loading stea-rate coating. Primary markets: metalworking, woodworking. Measures 9" W x 11" L. 100 per box; 10 boxes per case.

426U. For whitewood or sealer sanding.

405N. For dry sanding between finish coats.



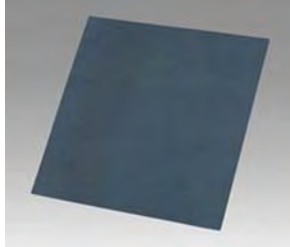
Product Code	Grade	List	Box	Case
426U				
75-63-081	120	\$82.31	\$62.70	\$58.52
405N				
75-63-035	150	74.72	56.93	53.13
75-63-036	180	74.72	56.93	53.13
75-63-037	220	74.72	56.93	53.13
75-63-038	240	74.72	56.93	53.13
75-63-039	280	74.72	56.93	53.13
75-63-040	320	74.72	56.93	53.13
75-63-041	360	74.72	56.93	53.13
75-63-042	400	74.72	56.93	53.13
75-63-043	500	74.72	56.93	53.13



Abrasive Sheets

Imperial™ Wetordry™ – 401Q/413Q

Used in wet sanding, to level minor dust nibs and for light sanding of mismatched orange peel on all automotive paints. Most flexible backing with more consistent scratch pattern. Measures 9" W x 11" L. 50 per box.



Product Code	Grade	Case Qty.	List	Box	Case
75-63-044	220	10	\$62.03	\$47.25	\$44.10
75-63-047	320	10	62.03	47.25	44.10
75-63-049	400	10	62.03	47.25	44.10
75-63-051	600	10	62.03	47.25	44.10
75-63-052	1000	5	101.09	77.02	71.88
75-63-053	1500	5	101.09	77.02	71.88

Sanding Sponges

Softback

Flexible foam pad enables user to sand hard-to-reach areas such as around door handles, door jambs, etc. Helps to eliminate finger marks and can be used wet or dry. Coated with aluminum oxide mineral. Measures 5-1/2" W x 4-1/2" L x 3/16" Thick. 20 per box. 6 boxes per case.



Product Code	Grade	List	Box	Case
75-63-076	Medium	\$61.94	\$47.19	\$44.05
75-63-077	Fine	61.94	47.19	44.05
75-63-078	Super fine	61.94	47.19	44.05
75-63-079	Ultra fine	61.94	47.19	44.05
75-63-080	Micro fine	61.94	47.19	44.05

Sanding Sponges

SandBlaster™

Used for fast paint and varnish removal, these sanding sponges are ideal for use on wood and metal. Comprised of an electrostatically coated silicon carbide mineral for increased durability and worklife. Measures 4.9" x 3.3" x 6.2".



For Bare Surfaces



For Between Finish Coats

Product Code	Grade	Case Qty.	List	Each	Case
For Bare Surfaces					
75-63-083	Medium – 150 grit	12	\$3.08	\$2.36	\$2.19
For Between Finish Coats					
75-63-082	Fine – 180 grit	12	3.68	2.96	2.75
75-63-084	Very fine – 320 grit	12	2.92	2.84	2.63

Sanding Sponges

For wet or dry sanding of wood, metal, plastic, drywall and painted surfaces. Features fine grade abrasive on all sides. Reusable.



Product Code	Dimensions In. W x L x Thick.	Case Qty.	List	Each	Case
75-63-103	3-3/4 x 2-5/8 x 1	250	\$1.98	\$1.53	\$1.42



Clean & Finish Discs

Scotch-Brite™

Flexible web for finishing, blending, and polishing. Conformability allows access to hard-to-reach areas. May be mounted on a straight shaft tool or run on a bench motor. Abrasive mineral: Very fine grade aluminum oxide. MOS: 1900 RPM

Product Code	Grade	Color	Diameter In.	Box Qty.	Case Qty.	List	Box	Case
75-69-052	Very fine	Maroon	11-1/4	5	5	\$38.66	\$28.53	\$26.63
75-69-053	Ultra fine	Gray	11-1/4	5	5	38.66	28.53	26.63
75-69-054	Light-duty	White	11-1/4	5	5	38.66	28.53	26.63
75-69-055	Very fine	Maroon	5	5	20	10.44	7.70	7.19
75-69-056	Ultra fine	Gray	5	5	20	10.44	7.70	7.19
75-69-058	Very fine	Maroon	6	5	20	13.91	10.26	9.58
75-69-059	Ultra fine	Gray	6	5	20	13.91	10.26	9.58



Hand Pads

Scotch-Brite™

Open, aggressive web that is excellent to grain, clean, denib, defuzz and finish. Resistant to loading. May be used by hand, on a hand pad block, or on an in-line sander. Abrasive mineral: Medium grade silicon carbide. Can be used for hand cleaning, blending, finishing.

Product Code	Description	Color	Case Qty.	List	Each	Case
75-69-001	Ultra fine	Light gray	60	\$1.29	\$0.98	\$0.91
75-69-004	General purpose	Maroon	60	1.29	0.98	0.91
75-69-007	Blending pad	Gray	40	2.33	1.77	1.65
75-69-010	Light-duty	Gold	60	1.32	1.00	0.94
75-69-013	Heavy-duty	Tan	40	3.44	2.62	2.45



Disc Hand Pads

Stikit™

Constructed of neoprene rubber with a nylon cloth face and an elastic hand band on the back. Designed to securely hold the disc, but allow easy removal. Features blue cloth face. 20 per case.

Product Code	Dimensions In. Dia. x Thick.	List	Each	Case
Stikit™				
75-43-387	5 x 1/8	\$7.22	\$5.49	\$5.13
75-43-001	5 x 1/4	9.03	6.88	6.42
75-43-386	6 x 1/4	10.91	8.31	7.76
Hookit™				
75-43-003	5 x 1	21.77	16.58	15.48
75-43-008	6 x 1/4	18.47	14.06	13.13

PRACTICAL PRODUCTS CO.

Belt Cleaners

NuLife

Rubberized block removes clogging when firmly held against running belts or discs. Restores cutting ability, extends abrasive life. 30% larger than standard-size belt cleaner.

Note: Not for use on wide belts or conveyor-type sanders.

Product Code	Dimensions In. L x W x D	Case Qty.	List	Each	Case
75-69-101	8 x 2 x 2	25	\$17.90	\$10.23	\$9.55





Multipurpose Adhesives

Super 77™

High tack, high coverage and fast drying for permanently attaching foils, carpeting, lightweight foams, paper, cardboard, felt and cloth to painted or unpainted metals, wood and hardboard. Clear. 12 per case.

Product Code	Size Oz.	List	Each	Case
75-67-002	16.75	\$24.41	\$18.60	\$17.36



Spray Adhesives

Hi-Strength 90

High strength, fast contact-type adhesive. Fast contact strength buildup for many decorative laminates. Only needs one minute of drying time. Translucent. 12 per case.

Product Code	Size Oz.	List	Each	Case
75-67-004	24	\$31.52	\$24.01	\$22.41



Woodworking Epoxies

Scotch-Weld™

Product Code	Description	3M #	Mixed Work Life Min.	Set Time	List	Each	Case
75-68-163	DP100: General purpose, rigid bonds.	22648	5	20 min.	\$20.84	\$15.87	\$14.81
75-68-166	DP125: High performance, very flexible bonds. Translucent	87211	25	2.5 hrs.	30.02	22.86	21.34
75-68-167	DP190: High performance, flexible bonds. Translucent	87219	80	6 hrs.	27.53	20.97	19.58



Epoxy Applicators

Scotch-Weld™ EPX™

Metal handheld applicator with 2:1 plunger that works with 1:1 50ml and 2:1 37ml cartridges. Used to dispense 3M™ Scotch-Weld™ adhesives in duo-pak cartridges.

Epoxy Applicators

Product Code	Description	Case Qty.	List	Each
75-68-157	50 mL applicator	10	\$79.46	\$79.46

Accessories

Product Code	Description	Case Qty.	List	Each	Case
75-68-156	Mixing nozzle	100	\$1.85	\$1.42	\$1.32

Adhesives, Putty & Caulk



Hot Melt Adhesives

Scotch-Weld™

Versatile hot melt adhesives are ideal for bonding a variety of substrates. Replaces pins and staples in furniture and joinery applications. Bonds in seconds and holds firmly and dependably.



Product Code	Application	Adhesive		Dia. x L		Color	List	Each	Case	
		3M#	Desc.	In.	In.					
Low Temperature										
75-67-010	Corrugated beadboard, repacking, chipboard & wood	49125	3762LM	5/8 x 8 Q		Light Amber	\$1.55	\$1.17	\$1.10	
75-67-013	Wood, coated paper, and heat sensitive materials	82454	3792LM	5/8 x 8 Q		Clear	1.95	1.49	1.39	
75-67-017*	Wood, coated paper, and heat sensitive materials	83491	3792LM	1 x 3 PG		Clear	538.89	-	384.92	
High Temperature										
75-67-011	Fast setting for corrugated, beadboard, repackaging	65261	3762	5/8 x 8 Q		Tan	1.53	1.16	1.09	
75-67-016	Wide variety of plastics, woods, and lioghtweight materials	82561	3747	5/8 x 8 Q		Tan	2.12	1.61	1.51	
75-67-018*	Wood, corrugated, fabric, furniture, and lightweight materials	82606	3792	1 x 3 PG		Clear	546.65	-	390.46	
75-67-019	Wood, corrugated, fabric, furniture, and lightweight materials	65263	3792	5/8 x 8 Q		Clear	1.98	1.50	1.40	
75-67-020	Wood, corrugated, fabric, furniture, and lightweight materials	82583	3792	1/2 x 12 AE		Clear	1.52	1.15	1.08	
75-67-021	General purpose, quick grab for packaging and woodworking	91711	3750	1/2 x 10 AE		Tan	0.53	0.45	0.38	

*Sold by the case (22 lbs.)



LT w/ Quadrack™



TC w/ Quadrack™ palm trigger



EC



AE II

Hotmelt Applicators

Scotch-Weld™

Save time and money with the right equipment for the job. 3M™ Scotch-Weld™ Hot Melt Adhesive Equipment is easy to use and helps you get the perfect amount of adhesive every time. Its rugged construction stands up to every day wear and tear, and its controlled dispensing is ideal for a variety of applications.

Product Code	Description	3M#	Temp. ° F	Adhesive		List	1-4	5+
				Dia. x Length	In.			
75-43-004	LT w/ Quadrack™, use with low melt adhesives	89774	265	5/8 x 8 Q		\$202.92	\$148.38	\$139.38
75-43-006	TC w/ Quadrack™, use with standard melt adhesives	89445	385	5/8 x 8 Q		218.93	160.07	150.37
75-43-005	EC temperature modules to operate w/ standard low melt adhesives	89519	260	5/8 x 8 Q		547.43	400.27	376.01
75-43-007	AE II electric operation. High temperature adhesives	96594	400	1/2 x 12 AE		105.68	77.26	72.58



Hotmelt Adhesives

Pellets – Series 28090

Ethylene vinyl acetate formula for use on PVC, veneer, melamine, polyester and ABS edging in computer controlled panel processing, and flow-through or straight edgebanding applications. Medium to high viscosity. 45-lb. bag. Equivalent to Jowat® 280 90 and Canplast 2001.



Product Code	Color	List	1-3	4+
75-68-099	Translucent	\$370.04	\$204.16	\$190.99

Hotmelt Adhesives

Pellets – Series 28220

Ethylene vinyl acetate formula for use on PVC, veneer, melamine, polyester and ABS edging in low temperature, manual contour edgebanders or for application directly to edgebanding. Low viscosity. 44-lb. bag. Equivalent to Jowat® 282 20 and Canplast 2020.



Product Code	Color	List	1-3	4+
75-68-113	Natural	\$264.40	\$145.88	\$136.47

Hotmelt Adhesives

Cartridges – Series 28680

Ethylene vinyl acetate formula for use on all types of edgebanding materials in HolzHer edgebanding machines. Resists temperature extremes. Medium viscosity. 33-lb. box. Equivalent to Jowat® 286 80 and Canplast 2022.



Product Code	Color	List	1-3	4+
75-68-103	Natural	\$316.28	\$174.50	\$163.24
75-68-106	White	339.28	187.19	175.11
75-68-109	Brown	339.28	187.19	175.11
75-68-112	Black	339.28	187.19	175.11

Hotmelt Adhesives

Cartridges – Series 28630

Ethylene vinyl acetate formula for use in HolzHer edgebanding machines. Features high bond strength and heat resistance. Leaves undetectable glue line. Low viscosity. 26-lb. box. Equivalent to Jowat® 286 30 and Canplast 2024.



Product Code	Color	List	1-3	4+
75-68-169	Translucent	\$319.14	\$176.07	\$164.71

Hotmelt Adhesives

Pellets – Series 28860

High performance ethylene vinyl acetate formulated for use with edging materials and banding machines. Medium/high viscosity. Resists hot and cold temperatures. Equivalent to Jowat® 288 60 and Canplast 2031/2041.



Product Code	Color	Box Lbs.	List	1-3	4+
75-68-092	Natural	44	\$211.28	\$116.57	\$109.05
75-68-094	White	55	287.80	158.79	148.55
75-68-097	Brown	55	287.80	158.79	148.55
75-68-099	Transparent	55	370.04	204.16	190.99
75-68-100	Black	55	287.80	158.79	148.55
75-68-101	Opaque	55	392.16	216.36	202.40



Adhesive Applicators

Polyurethane Reactive PUR EZ 250 – Scotch-Weld™

Electrically-heated pneumatic yellow applicator dispense adhesive at 250°F (121°C) with the squeeze of a trigger. Easy to use and maintain with disposable nozzle, no tip cap, no grease and no system purging. Adhesive can stay in applicator at dispensing temperature for up to 16 hours. Six adhesives with a range of properties including adhesion in difficult-to-bond jobs such as hardwood miter corners.



Applicators

Product Code	Description	3M#	List	1-4	5+
75-43-390	PUR Easy 250 Cartridge Applicator	23563	\$934.22	\$683.08	\$641.68

Polyurethane Reactive Adhesives (PUR)

Scotch-Weld™ PUR Easy 250 Cartridges

Electrically-heated pneumatic yellow applicator dispense adhesive at 250°F (121°C) with the squeeze of a trigger. Easy to use and maintain with disposable nozzle, no tip cap, no grease and no system purging. Adhesive can stay in applicator at dispensing temperature for up to 16 hours. Six adhesives with a range of properties including adhesion in difficult-to-bond jobs such as hardwood miter corners.

Easy 250 12.8-Oz. Cartridge – 5 Per Case

Product Code	Description	3M#	Viscosity CPS @ 250° F	Open Time Min.	Set Time Sec.	List	Each	Case
Wood Adhesives								
75-67-037	Fast set time for wood and select plastics	23545	7000	1.5	15	\$209.34	\$158.81	\$148.56
75-67-038	Medium set time for wood and select plastics	23550	7000	2	60	209.34	158.81	148.56
75-67-039	Medium set time, low viscosity and very thin bond line for wood	23554	3000	4	120	209.34	158.81	148.56
Plastic Adhesives								
75-67-040	Fast set time for many plastics including polystyrene & polyacrylic	23541	13,000	2	30	209.34	158.81	148.56
75-67-041	Long open and set times for wood, plastics and material combinations such as aluminum or glass to plastics or wood	23559	9000	4	150	209.34	158.81	148.56
75-67-042	Long open time and low viscosity for wood, plastics and many other material combinations	57402	2750	3	120	219.71	166.67	155.92



Adhesive Preheaters

PUR EZ – Scotch-Weld™

For improved productivity, the optional preheater keeps up to four adhesive cartridges ready to use. 12 month warranty.

Product Code	Description	Temperature °F	List	Each	Case
75-43-391	PUR EZ 250	250	\$1273.91	\$931.46	\$875.01



Glue Bottles

Empty

Features wide mouth for easy fill. Order glue bottle and cap separately.



Product Code	Capacity Oz.	List	1-9	10-99	100+
75-42-029	16	\$1.95	\$1.22	\$1.13	\$1.04

Accessories

Product Code	Description	List	1-9	10-99	100+
75-42-030	Glue bottle cap	\$0.64	\$0.40	\$0.37	\$0.34



Glue Applicators

Servicol

For applying glue to biscuit and dowel joints. Features downward facing metal nozzle and bottle stand.



Glue Applicators

Product Code	Capacity mL	List	1-4	5+
75-42-037	300	\$50.90	\$28.00	\$26.25

Accessories

Product Code	Description	List	1-4	5+
75-42-040	Replacement tip	\$39.20	\$21.56	\$20.21



Glue Applicators

Minicol

Universal glue applicator for Lamello grooves, edges, continuous grooves, etc. For applying glue to biscuit and dowel joints. Features downward facing metal nozzle and solid wood bottle stand. Hermetic seal prevents glue from drying out in metal tip.

Product Code	Capacity mL	List	1-4	5+
75-42-031	300	\$98.00	\$53.90	\$50.53



Glue Applicators

Dosicol

For applying glue to biscuit and dowel joints. One-stroke operation. Features adjustable metering pump and ring. Same amount of glue every time. 450 ml capacity.

Product Code	For Groove Size	List	1-4	5+
75-42-034	#10 and #20	\$176.40	\$97.02	\$90.96



Sealants

100% Silicone – Bostik® RTV

Provides long-life waterproof bond. For use on glass, wood, metals, plastics, rubber, marble, fiberglass, and construction applications. 10.5 oz. Meets FDA, MIL and California specifications. 24 per case.

Product Code	Color	List	Each	Case
75-43-410	Clear	\$15.58	\$8.90	\$8.30



Adhesive Removers

Citrus

Citrus-based remover bites in and dissolves the sticky overspray of many aerosol adhesives, plus grease, oil, grime, tape residue, tar, wax and more. Notes

Product Code	Size	Case Qty.	List	Each	Case
75-69-061	18.5 oz.	6	\$34.82	\$26.53	\$24.76
75-69-062	1 gal.	4	196.14	149.44	139.48
75-69-063	5 gal.	1	780.00	536.25	–
75-69-064	52 gal.	1	6609.78	4544.23	–

**Not all the products we carry
 are listed in this catalog.
 If you don't see what you're looking for,
 please contact your local branch
 for assistance.**

Corbels, Columns & Feet

White River

Maple and Cherry In-Stock



COR10101
4 3/4" w x 22" h x 12" d

COR10102
3" w x 14" h x 8-1/2" d

COR10104
3" w x 7 1/2" h x 4 1/2" d



COR10106
8 1/2" w x 22" h x 5 1/2" d

COR10107
8" w x 12" h x 5" d

COR10108
6 1/2" w x 9" h x 4 1/2" d

COR10109
5 1/4" w x 6" h x 2 1/2" d

COR10110
4" w x 4" h x 1 7/8" d



FT10014 - Bun Foot
3 3/4" sq. x 4" h



FT10013 - Bun Foot
3 1/2" sq. x 4" h



FT10015 - Bun Foot
2 1/2" sq. x 4" h



FT10017 - Bun Foot
4 3/4" sq. x 4" h

FT10018 - Bun Foot
5 1/4" sq. x 6" h

FT10016 - Bun Foot
4" sq. x 4" h



CLM10048
3" sq. x 36" h
CLM10048H - Split
CLM10037
3" sq. x 42" h
CLM10037H - Split

CLM10050
5" sq. x 36" h
CLM10050H - Split
CLM10039
5" sq. x 42" h
CLM10039H - Split

CLM10045
3" sq. x 36" h
CLM10045H - Split
CLM10034
3" sq. x 42" h
CLM10034H - Split

CLM10047
5" sq. x 36" h
CLM10047H - Split
CLM10036
5" sq. x 42" h
CLM10036H - Split



CLM10051
3" sq. x 36" h
CLM10051H - Split
CLM10040
3" sq. x 42" h
CLM10040H - Split

CLM10053
5" sq. x 36" h
CLM10053H - Split
CLM10042
5" sq. x 42" h
CLM10042H - Split



CLM10054
3" sq. x 36" h
CLM10043
3" sq. x 42" h

CLM10055
5" sq. x 36" h
CLM10044
5" sq. x 42" h

Many of these products are available in these species also: Alder, Red Oak, Poplar, and Rubberwood. See WhiteRiver.com or our National Price List for this information.

Mouldings

K

White River

Corbels, Columns & Feet

Maple and Cherry In-Stock



COR10089 - Medium
3"w x 18"h x 16"d

COR10095 - Large
4 3/4"w x 18"h x 16"d

OVERHANG BRACKET

COR10084 - Small
1 3/4"w x 10"h x 10"d

COR10090 - Medium
3"w x 10"h x 10"d

COR10096 - Large
4 3/4"w x 10"h x 10"d



COR10085
1 3/4"w x 14 5/32"h x 8"d

COR10091
3"w x 14 5/32"h x 8"d

COR10097
4 3/4"w x 14 5/32"h x 8"d

COR10086
1 3/4"w x 10 5/8"h x 5 1/2"d

COR10092
3"w x 10 5/8"h x 5 1/2"d

COR10098
4 3/4"w x 10 5/8"h x 5 1/2"d



COR10070
3"w x 18"h x 16"d

COR10077
4 3/4"w x 18"h x 16"d

COR10064
1 3/4"w x 10"h x 10"d

COR10071
3"w x 10"h x 10"d

COR10078
4 3/4"w x 10"h x 10"d



COR10065
1 3/4"w x 12"h x 8"d

COR10066
1 3/4"w x 9"h x 6 1/2"d

COR10073
3"w x 9"h x 6 1/2"d

COR10080
4 3/4"w x 9"h x 6 1/2"d

STOCK PRODUCTS

Many of these products are available in these species also: Alder, Red Oak, Poplar, and Rubberwood. See WhiteRiver.com or our National Price List for this information.



CLM10031
3"sq. x 36"h

CLM10028
3"sq. x 42"h

CLM10032
3 1/2"sq. x 36"h

CLM10029
3 1/2"sq. x 42"h

CLM10033
5"sq. x 36"h

CLM10030
5"sq. x 42"h

CLM10025
3"sq. x 36"h

CLM10022
3"sq. x 42"h

CLM10026
3 1/2"sq. x 36"h

CLM10023
3 1/2"sq. x 42"h

CLM10027
5"sq. x 36"h

CLM10024
5"sq. x 42"h



7 3/16"

7 3/16"



CLM10056
2 3/4"sq. x 36"h

CLM10057
3 1/2"sq. x 36"h

CLM10058
4 3/4"sq. x 36"h



FT10011 - Bun Foot
3 1/2"sq. x 4 1/2"h



FT10008 - Bun Foot
2 3/4"sq. x 4 1/4"h



FT10012 - Bun Foot
4 1/2"sq. x 4 1/2"h



FT10009 - Bun Foot
4 1/2"sq. x 4 1/2"h

Corbels, Columns & Feet *White River™*

Maple and Cherry In-Stock



- COR10052** - Medium
3" w x 18" h x 16" d
- COR10058** - Large
4 3/4" w x 18" h x 16" d
- COR10047** - Small
1 3/4" w x 10" h x 10" d
- COR10053** - Medium
3" w x 10" h x 10" d
- COR10059** - Large
4 3/4" w x 10" h x 10" d

- COR10048**
1 3/4" w x 12 3/4" h x 6 9/16" d
- COR10054**
3" w x 12 3/4" h x 6 9/16" d
- COR10060**
4 3/4" w x 12 3/4" h x 6 9/16" d
- COR10049**
1 3/4" w x 9 1/2" h x 4 7/8" d
- COR10055**
3" w x 9 1/2" h x 4 7/8" d
- COR10061**
4 3/4" w x 9 1/2" h x 4 7/8" d
- COR10050**
1 3/4" w x 7 1/2" h x 4 1/4" d
- COR10056**
3" w x 7 1/2" h x 4 1/4" d



- COR10117**
3" w x 18" h x 16" d
- COR10124**
4 3/4" w x 18" h x 16" d
- COR10112**
1 3/4" w x 12" h x 8" d
- COR10119**
3" w x 12" h x 8" d
- COR10126**
4 3/4" w x 12" h x 8" d
- COR10113**
1 3/4" w x 9" h x 6 1/2" d

- COR10120**
3" w x 9" h x 6 1/2" d
- COR10127**
4 3/4" w x 9" h x 6 1/2" d
- COR10114**
1 3/4" w x 7 1/2" h x 5" d
- COR10121**
3" w x 7 1/2" h x 5" d
- COR10128**
4 3/4" w x 7 1/2" h x 5" d
- COR10116**
1 3/4" w x 3" h x 3" d
- COR10123**
3" w x 3" h x 3" d
- COR10111**
1 3/4" w x 10" h x 10" d
- COR10118**
3" w x 10" h x 10" d
- COR10125**
4 3/4" w x 10" h x 10" d

-  **FT10007** - Bun Foot
3 1/2" sq. x 4" h
-  **FT10006** - Bun Foot
4 3/4" sq. x 4" h
-  **FT10024**
3 5/8" sq. x 4" h
-  **FT10004** - Bun Foot
3 1/2" sq. x 3 3/4" h
-  **FT10022**
4 5/8" sq. x 4" h
-  **FT10020**
4 5/8" sq. x 4 1/2" h
-  **FT10005** - Bun Foot
4 1/2" sq. x 3 3/4" h
-  **FT10021**
3 1/2" sq. x 4" h
-  **FT10019**
3 1/2" sq. x 4 1/2" h



- CLM10019**
2 3/4" sq. x 36" h
* 2 3/4" at beads
- CLM10016**
2 3/4" sq. x 42" h
* 2 3/4" at beads
- CLM10020**
3 3/8" sq. x 36" h
* 3 3/8" at beads
- CLM10017**
3 3/8" sq. x 42" h
* 3 3/8" at beads
- CLM10021**
4 3/4" sq. x 36" h
* 4 3/4" at beads
- CLM10018**
4 3/4" sq. x 42" h
* 4 3/4" at beads
- CLM10059**
3 1/2" sq. x 36" h

Mouldings
K

White River

Corbels, Columns & Feet

Maple and Cherry In-Stock



ROUND FACED CORN PED FOOT

- FT10025**
4" h x 6" w x 6" d
- FT10026**
4 1/2" h x 6" w x 6" d



SQUARE FACED CORN PED FOOT

- FT10027**
4" h x 6" w x 6" d
- FT10028**
4 1/2" h x 6" w x 6" d



CURVED EDGE PEDESTAL FOOT

- FT10029** - Left
4" h x 6" w x 1" d
- FT10030** - Left
4 1/2" h x 6" w x 1" d



CURVED EDGE PEDESTAL FOOT

- FT10034** - Right
4" h x 6" w x 1" d
- FT10035** - Right
4 1/2" h x 6" w x 1" d



STRAIGHT EDGE PEDESTAL FOOT

- FT10031** - Left
4" x 6" w x 1" d
- FT10032** - Left
4 1/2" h x 6" w x 1" d



STRAIGHT EDGE PEDESTAL FOOT

- FT10036** - Right
4" h x 6" w x 1" d
- FT10037** - Right
4 1/2" h x 6" w x 1" d



FT10033 - Pedestal Moulding
10" w x 1 7/8" h x 3/4" d



CLM10060
3 1/2" sq. x 36" h



CLM10061
3 1/2" sq. x 36" h



CLM10064
3 1/2" sq. x 36" h

CLM10065
4 3/4" sq. x 36" h



CLM10062
3 1/2" sq. x 36" h

CLM10063
5" sq. x 36" h



CLM10066
5" sq x 36"



CLM10067
3 1/2" sq x 36"

CLM10068
5" sq x 36"

Mon Reale® Mouldings

White River

Poplar In-Stock



CM8801 7/8" x 6"
Pattern Repeats 7"



CM8808 7/8" x 7 1/2"
Pattern Repeats 7 1/2"



CM8809 1 1/4" x 8 1/2"
Pattern Repeats 10 1/4"
NOTE: See page 4 for longer view



CM8810 15/16" x 4 3/4"
Pattern Repeats 4 3/4"



CM8812 1" x 6"

• PROMPT SHIPMENT •

5 BUSINESS DAYS
MOST STOCK PRODUCTS

MATCHING FLEXIBLE MOULDINGS
Available for all profiles



FR8820 13/16" x 2 3/4"
Pattern Repeats 2 7/8"



FR8920 13/16" x 3 3/4"
Repeats 7/8" - MT = 3/4"



FR8921 13/16" x 3 3/4"
Repeats 6 1/8" - MT = 1"



FR8958 13/16" x 5 1/2"
Repeats 5" - MT = 13/16"



FR8960 13/16" x 5 1/2"
Repeats 16" - MT = 1"



FR8965 13/16" x 5 1/2"
Repeats 11 1/2" - MT = 7/8"



FR8966 13/16" x 6 3/4"
Repeats 13 5/8" - MT = 7/8"



FR8967 13/16" x 6 3/4"
Repeats 7 1/2" - MT = 13/16"



PM8511 13/16" x 2"
Repeats 2 1/4"



PM8520 7/8" x 2"
Repeats 1"



PM8522 9/16" x 1"
Repeats 1/4"



PM8523 7/8" x 1 3/4"
Repeats 1/2"



PM8524 5/8" x 1"
Repeats 1/4"



PM8525 7/8" x 1 1/2"
Repeats 1/2"

Mouldings

K

White River

Mon Reale® and Ornamentally Embossed Mouldings

Poplar In-Stock



BB8122 1 13/16" x 2"
Repeats 2 1/4" lips 13/16"



ORNAMENTALLY EMBOSSED



CM71 13/16" x 4 1/2"



CM83 13/16" x 5 1/2"



CA8320 1 1/4" x 4 1/2"



CM72 13/16" x 3 3/4"



CA36 13/16" x 3 1/4"



CA8342 13/16" x 3 3/4"



CM73 13/16" x 5 1/2"



BB17 1 3/4" x 2 1/2" lips 13/16"



BA8440 3/4" x 6 1/2" Repeats 2 1/4"



CM74 13/16" x 3 3/4"



CR63-A 1 1/16" x 3 1/4"



BA8442 3/4" x 6" Repeats 1 1/4"



CM76 13/16" x 5 1/2"



CR65 13/16" x 2 1/2"



PM10 5/8" x 1 1/4"



PM11 7/16" x 5/8"

• PROMPT SHIPMENT •

5 BUSINESS DAYS
MOST STOCK PRODUCTS

MATCHING FLEXIBLE MOULDINGS
Available for all profiles



CM82 1 1/16" x 5 7/8"



PM52 13/16" x 1 3/4"

Ornamentally Embossed, Ornate MDF, Lindenwood Mantels and Rosettes

White River



BA42 3/4" x 7"



BA46 1 1/16" x 5 1/2"



ROUND ROSETTE
Lindenwood

CRV5166 - X-Large

7" dia x 7/8" d

CRV5168 - Large

5" dia x 3/4" d

sold 2/pkg.

CRV5169 - Medium

3 1/2" dia x 5/8" d

sold 2/pkg.



OVAL ROSETTE
Lindenwood

CRV5177 - Large

4 1/2" w x 6 1/2" h x 7/8" d

CRV5178 - Medium

3 1/2" w x 5" h x 3/4" d

sold 2/pkg.

CRV5179 - Small

2 3/4" w x 4" h x 5/8" d

sold 2/pkg.

MAN9021LW

Lindenwood

Shell with Country Flowers Full Surround

72" w x 52" h x 9 3/4" d

Opening: 52" w x 40" h

Shelf: 68" w x 9 3/4" d

Carved Center Panel: 36" w x 6" d

Mantel has 1" offset on inside of mantel to go over marble. 1" panel mould precut, included.

Prefinish: Shabby Chic Golden Brown Stain
Lindenwood mantel in-stock unfinished.



ELEGANT ADDITIONS™ A compact Moulding Collection of our most popular motifs and sizes for your interior applications. This sculptured moulding features a fine grain overlay which is contoured to a traditional primed MDF moulding. Can stain, paint, or glaze. Shown painted but ships unfinished.

- Available in 16' lengths. Curved work available.



CR13 7/8" x 7" x 16' pattern repeats 4 1/8"



CR14 7/8" x 5 1/2" x 16' pattern repeats 3" 1/4"



FR15 3/4" x 5" x 16' pattern repeats 8 3/8"



PM16 3/4" x 3" x 16' pattern repeats 2 1/2"

White River™

Corbels, Capitals, Onlays

Lindenwood In-Stock



CRV5113 - Scrolled Corbel
8 3/4" w x 26 1/2" h x 8 1/4" d

CRV5114 - Large
5 3/4" w x 14" h x 5" d

CRV5115 - Medium
5" w x 12" h x 4" d



CRV5116 - Scrolled Corbel
3 1/2" w x 12" h x 7 1/2" d

CRV5117 - Scrolled Corbel
3 1/2" w x 6 1/2" h x 3 3/4" d



CRV5256 - Classic Corbel
3 1/2" w x 12" h x 7 1/2" d



CLASSIC CORBELS
CRV5253 - Medium
7" w x 14" h x 3 1/2" d

CRV5250 - Small
5" w x 11" h x 3" d



CRV5259 - Classic Corbel
7" w x 9" h x 5 1/2" d



CRV5097 - Acanthus Corbel
7 3/4" w x 14 1/2" h x 6" d



CRV5098 - Acanthus Corbel
5" w x 12" h x 4 1/2" d



ACANTHUS CORBELS

CRV5120 - Medium
6" w x 14" h x 2 1/2" d

CRV5121 - Small
4 1/2" w x 10" h x 1 3/4" d



CORINTHIAN CAPITALS

CRV5131 - Medium
8" w x 8" h x 2 1/4" d
accepts up to 5" x 3/4"

CRV5134 - Small
6 7/8" w x 6 7/8" h x 2" d
accepts up to 4 1/4" x 3/4"



BASES

CRV5132 - Medium
8" w x 5" h x 2 1/4" d
accepts up to 5" x 3/4"

CRV5135 - Small
6 7/8" w x 4 1/4" h x 2" d
accepts up to 4 1/4" x 3/4"



ACANTHUS WITH SCROLLS

CRV5046 - Large 36" w x 7 1/2" h x 7/8" d

CRV5048 - Medium 24" w x 6" h x 3/4" d

CRV5049 - Small 12" w x 4" h x 5/8" d

Mouldings
Belts & Onlays
Moulding

White River™

Maple and Cherry In-Stock, 8'Lengths



MLD5839 Repeats 4 3/8"
4 3/4" x 13/16" x 96"



MLD5840 Repeats 3 1/2"
4 3/4" x 13/16" x 96"



MLD5842 Repeats 2 1/2"
3 1/2" x 13/16" x 96"



MLD5844 Repeats 1 3/4"
2 1/2" x 13/16" x 96"



MLD5846 Repeats 2 3/4"
3" x 13/16" x 96"



MLD5848 Repeats 1 3/4"
4 3/4" x 13/16" x 96"



MLD5905 4" x 13/16" x 96" Repeats 3 1/8"



MLD5914 3 1/2" x 13/16" x 96" Repeats 10"



MLD5918 3 1/2" x 13/16" x 96" Repeats 8"



MLD5940 1 1/2" x 5/8" x 96" Repeats 1 5/8"



MLD5942 1 1/2" x 11/16" x 96" Repeats 1 5/8"



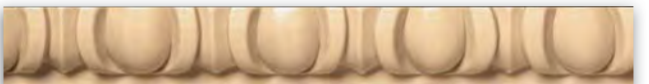
MLD5944 1 1/2" x 11/16" x 96" Repeats 1 3/8"



MLD5956 1 1/2" x 9/16" x 96" Repeats 1"



MLD5976 3/4" x 5/8" Repeats 1 7/8"



MLD5978 1 1/4" x 13/16" x 96" Repeats 2 3/8"



MLD5979 1" x 3/4" x 96" Repeats 1 5/8"



MLD5980 1 1/4" x 11/16" x 96" Repeats 1 1/2"

Mouldings

K

White River™

Corbels and Onlays

Maple and Cherry In-Stock



CRV5262 -
5 3/4" w x 14" h x 5 1/4" d

CRV5098 -
5" w x 12" h x 4 1/2" d

CRV5097 -
7 3/4" w x 14 1/2" h x 6" d



CRV5263
5 1/2" w x 10" h x 18" d



CRV5264
3 1/2" w x 13" h x 8" d



CRV5286
Traditional Corbel
3 3/4" w x 13" h x 8 1/2" d



CRV5284
7" w x 14 1/2" h x 6" d

CRV5285
5 3/4" w x 14" h x 5" d

CRV5105
5 1/4" w x 12 1/2" h x 4 1/2" d

CRV5109
4 1/2" w x 9 3/4" h x 4" d



CRV5271 - Medium
6 1/2" w x 15" h x 2 1/2" d

CRV5272 - Small
4 5/8" w x 10 1/4" h x 1 3/4" d

CRV5273 - Acanthus Corbel
3" w x 6" h x 1 1/2" d



CRV5119 - Acanthus Corbel
7" w x 22" h x 3 1/4" d

CRV5270 - Acanthus Corbel
8 5/8" w x 34" h x 4 1/2" d



ACANTHUS LEAVES

CRV5651 X-Large
7" w x 12" h x 1 1/2" d

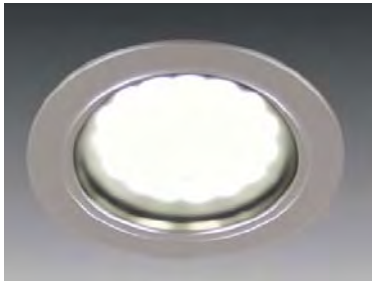
CRV5653 Large
5" w x 9" h x 1" d

CRV5655 Medium
4" w x 7" h x 7/8" d

KB12-LED

- Recess depth only 5/8" or 1/2" (with spacer ring R12)
- When surface mounted, overall height 1"
- Friction fit
- Approved for use in closet applications
- Only 1.6 W power consumption
- Available with cool white or warm white LEDs
- 50,000 hours usable life
- Finishes: white, black, chrome, stainless steel and gold
- Attached 98" connecting cable with plug-in connector
- To be used with 24 Vdc LED driver
- Special accessories available:
 - R12 – Spacer ring to reduce recess depth
- Additional LED connecting cables are available in 39" and 98"
- Dimmable with available accessories
- Lights have 72" connecting cord

Required Items



6 W Driver

OR



30 W Driver

OR



75 W Driver

Spotlights

KB12-LED

Warm White

Aetna #	Finish	1-9	10+
77-39-342	White	\$51.21	\$49.51
77-39-343	Black	\$51.21	\$49.51
77-39-344	Chrome	\$51.21	\$49.51
77-39-345	Gold	\$51.21	\$49.51
77-39-346	Stainless Steel	\$51.21	\$49.51

Cool White

Aetna #	Finish	1-9	10+
77-39-348	White	\$51.21	\$49.51
77-39-349	Black	\$51.21	\$49.51
77-39-350	Chrome	\$51.21	\$49.51
77-39-351	Gold	\$51.21	\$49.51
77-39-352	Stainless Steel	\$51.21	\$49.51

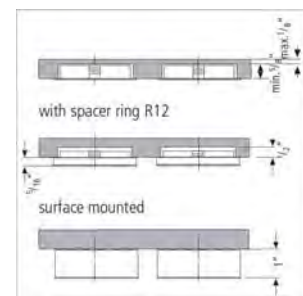
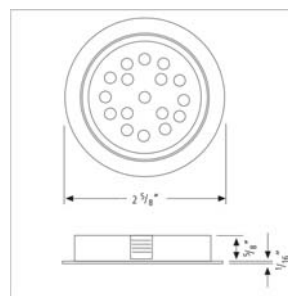
LED Power Supply

Aetna #	Description	1-9	10+
77-39-480	6 Watt	\$22.77	\$21.72
77-39-481	30 Watt	\$47.22	\$45.94
77-39-482	75 Watt	\$87.24	\$85.00
77-39-495	Power Cable Extension 39"	\$2.76	\$2.66
77-39-496	Power Cable Extension 98"	\$3.99	\$3.85

Optional Items

Accessories

Aetna #	Description	1-9	10+
77-39-490	Dimmer	\$24.09	\$23.29
77-39-491	Dimmer Controller	\$77.00	\$74.43
77-39-492	Distributor Cable	\$9.45	\$9.13
77-39-484	Motion-Activated Infrared Switch	\$17.80	\$16.98
77-39-493	Remote Control Dimmer	\$55.91	\$54.05
77-39-485	Terminal Block	\$4.80	\$4.63
77-39-486	Rocker Switch	\$9.56	\$8.63



HO-LED

- High quality, brushed aluminum housing
- Swivel (+/- 20 degrees) and non-swivel version available
- Approved for use in closet applications
- 3 x 1.2 W high power LEDs with full LED optics
- Available with cool white or warm white LEDs

- Recess depth 1 1/8" non-swivel, 1 1/16" swivel
- Friction fit
- Attached 79" connecting cable with plug-in connector
- To be used with 350 mA constant current DC converter
- Additional LED connecting cables are available in 36" and 72"
- Dimmable with available accessories

Required Items



10 W Driver

OR



18 W Driver

Spotlights

Non-Swivel

Warm White

Aetna #	Finish	1-9	10+
77-39-290	Brushed Aluminum	\$82.24	\$79.19

Cool White

Aetna #	Finish	1-9	10+
77-39-291	Brushed Aluminum	\$77.97	\$75.08

Swivel

Warm White

Aetna #	Finish	1-9	10+
77-39-293	Brushed Aluminum	\$89.22	\$85.92

Cool White

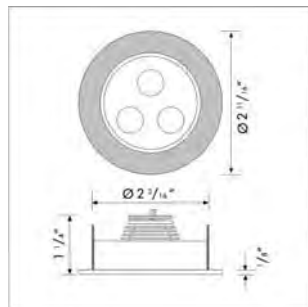
Aetna #	Finish	1-9	10+
77-39-294	Brushed Aluminum	\$84.56	\$81.43

LED Power Supply

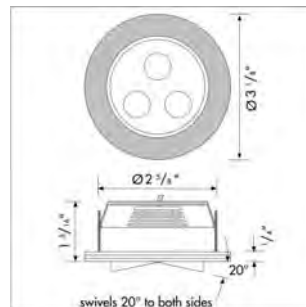
Aetna #	Description	1-9	10+
77-39-464	Driver 10 W	\$32.51	\$31.42
77-39-472	Dimmable Driver 18 W	\$71.79	\$69.40
77-39-491	LED Dimmer Controller	\$77.00	\$74.43

Cables

Aetna #	Description	1-9	10+
77-39-476	Connecting Cable 36"	\$6.75	\$6.51
77-39-477	Connecting Cable 72"	\$7.77	\$7.50



HO-LED 1



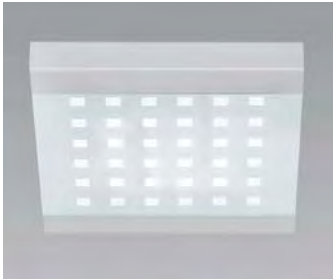
HO-LED 2



QPad-LED

- Energy Efficient: 7.5 W
- Extremely long lamp life, rated 50,000 hours
- Approved for use in closet applications
- Available in cool white or warm white LEDs
- Finishes available: Stainless Steel, Black, White
- Good color rendering, CRI > 90
- To be used with 24 Vdc LED driver
- Dimmable with optional accessories
- Good efficacy: WW = 60 lm/W and CW = 70 lm/W
- Low profile, only 7/16"
- Minimum Drilling Required
- Can connect up to:
10 fixtures - 75 W driver 4 fixtures - 30 W driver

Required Items



30 W Driver

OR



75 W Driver

OR



96 W Driver

Light Fixtures

QPad-LED

Warm White

Aetna #	Finish	Lumens	1-9	10+
77-39-372	White	450	\$112.02	\$108.52
77-39-371	Black	450	\$112.02	\$108.52
77-39-370	Stainless Steel	450	\$112.02	\$108.52

Cool White

Aetna #	Finish	Lumens	1-9	10+
77-39-375	White	525	\$112.02	\$108.52
77-39-374	Black	525	\$112.02	\$108.52
77-39-373	Stainless Steel	525	\$112.02	\$108.52

LED Constant Voltage Drivers

Aetna #	Description	1-9	10+
77-39-481	30 Watt	\$47.22	\$45.94
77-39-482	75 Watt	\$87.24	\$85.00
77-39-483	96 Watt	\$109.06	\$106.26

Optional Items

Accessories

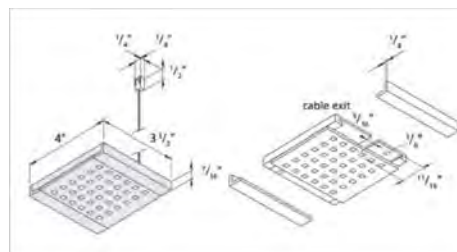
Aetna #	Description	1-9	10+
77-39-490	Dimmer	\$24.09	\$23.29
77-39-491	Dimmer Controller	\$77.00	\$74.43
77-39-492	Distributor Cable	\$9.45	\$9.13
77-39-484	Motion-Activated Infrared Switch	\$17.80	\$16.98
77-39-493	Remote Control Dimmer	\$55.91	\$54.05
77-39-486	Rocker Switch	\$9.56	\$8.63

Cables and Connectors

Aetna #	Description	1-9	10+
77-39-495	Power Cable Extension 39"	\$2.76	\$2.66
77-39-496	Power Cable Extension 98"	\$3.99	\$3.85
77-39-485	Terminal Block	\$4.80	\$4.63



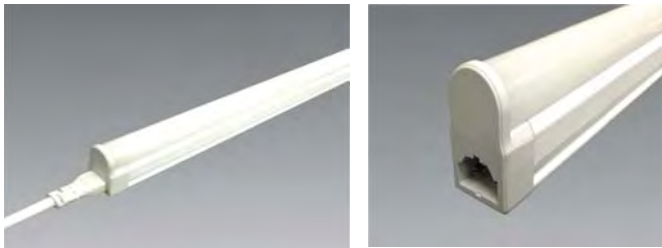
reddot design award
winner 2010



ELite-LED

- 120 Vac LED with integrated electronic driver
- Available in five different sizes: 1' (5 W), 2' (9 W), 3' (12 W), 4' (15 W), 5' (18 W)
- Extremely long lifetime of 50,000 hours
- Available in 3000K, 4100K, 5000K and 6500K
- Good energy efficiency, 64-86 lm/W
- Very good color rendering >80
- Finish: White housing with white frosted lens
- Fixtures can interconnect with direct connectors or accessory cables
- Quick and easy plug and play installation
- Optional hardwire adaptor box available
- Magnetic mounting clips available
- Non-dimmable

Required Items



Light Fixtures

ELite-LED

Warm White

Aetna #	Length	Watts	1-9	10+
77-39-630	11"	5	\$66.57	\$64.27
77-39-631	21 3/16"	9	\$70.87	\$68.43
77-39-632	33"	12	\$75.17	\$72.58
77-39-633	44 13/16"	15	\$78.50	\$75.79
77-39-634	56 3/8"	18	\$82.53	\$79.68

Cool White

Aetna #	Length	Watts	1-9	10+
77-39-635	11"	5	\$66.57	\$64.27
77-39-636	21 3/16"	9	\$70.87	\$68.43
77-39-637	33"	12	\$75.17	\$72.58
77-39-638	44 13/16"	15	\$78.50	\$75.79
77-39-639	56 3/8"	18	\$82.53	\$79.68

Accessories

Aetna #	Finish	1-9	10+
77-39-664	Hardwire Box	\$7.36	\$7.11

Power Cords

Aetna #	Length	1-9	10+
77-39-640	36"	\$3.50	\$3.38
77-39-641	48"	\$4.14	\$4.00
77-39-642	72"	\$4.69	\$4.53
77-39-643	96"	\$6.49	\$6.27
77-39-644	132"	\$8.11	\$7.83
77-39-645	144"	\$8.48	\$8.19

Power Cords with Switch

Aetna #	Length	1-9	10+
77-39-646	72"	\$6.13	\$5.91
77-39-647	96"	\$7.93	\$7.65

Connecting Cables

Aetna #	Length	1-9	10+
---------	--------	-----	-----

Connecting Cables with Straight Connector

77-39-648	6"	\$2.40	\$2.31
77-39-649	12"	\$2.78	\$2.68
77-39-650	24"	\$3.82	\$3.69
77-39-651	36"	\$5.05	\$4.87
77-39-652	48"	\$3.79	\$3.66
77-39-653	72"	\$4.32	\$4.18
77-39-654	96"	\$6.13	\$5.91
77-39-655	144"	\$7.93	\$7.65

Connecting Cables with 90 Degree Connector

77-39-656	6"	\$2.40	\$2.31
77-39-657	12"	\$2.78	\$2.68
77-39-658	24"	\$3.82	\$3.69
77-39-659	36"	\$5.05	\$4.87
77-39-660	48"	\$3.79	\$3.66
77-39-661	72"	\$4.32	\$4.18
77-39-662	96"	\$6.13	\$5.91
77-39-663	144"	\$7.93	\$7.65



Eye-LED

- Extremely small dimensions: recess depth 1/2", recess diameter 1"
- 1 W high-power LED
- Ready to connect to 350 mA constant current power supply, 51" connecting cable with plug-in connector attached
- Available with cool white or warm white LEDs
- Finish: stainless steel and brushed aluminum
- Additional LED connecting cables are available in 36" and 72"
- Dimmable with available accessories

Required Items



10 W Driver

OR



18 W Driver

Spotlights

Eye-LED

Warm White

Aetna #	Finish	1-9	10+
77-39-245	Stainless Steel	\$57.52	\$55.46
77-39-246	Aluminum	\$57.52	\$55.46

Cool White

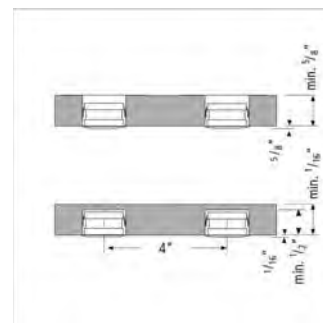
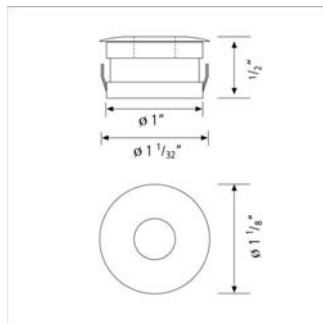
Aetna #	Finish	1-9	10+
77-39-247	Stainless Steel	\$57.52	\$55.46
77-39-248	Aluminum	\$57.52	\$55.46

LED Power Supply

Aetna #	Description	1-9	10+
77-39-464	Driver 10 W	\$32.51	\$31.42
77-39-472	Dimmable Driver 18 W	\$71.79	\$69.40
77-39-491	LED Dimmer Controller	\$77.00	\$74.43

Cables and Connectors

Aetna #	Finish	1-9	10+
77-39-476	Connecting Cable 36"	\$6.75	\$6.51
77-39-477	Connecting Cable 72"	\$7.77	\$7.50
77-39-466	Terminal Block	\$8.20	\$7.92



AR78-LED

- Energy efficient using only 7.5 W
- Excellent color rendering, CRI>97
- 50,000 hrs of usable life
- Available with cool white or warm white LEDs
- Attached 98" connecting cable with plug-in connector
- Flush mounting in 16 mm panels
- Stainless Steel finish
- Suitable for mounting in sheet metal
- To be used with 24 Vdc LED Driver
- Dimmable with available accessories

Required Items



30 W Driver

OR



75 W Driver

OR



96 W Driver

Spotlights

AR78-LED

Warm White

Aetna #	Finish	Lumens	1-9	10+
77-39-721	Stainless Steel	350	\$127.17	\$122.63

Cool White

Aetna #	Finish	Lumens	1-9	10+
77-39-720	Stainless Steel	350	\$127.17	\$122.63

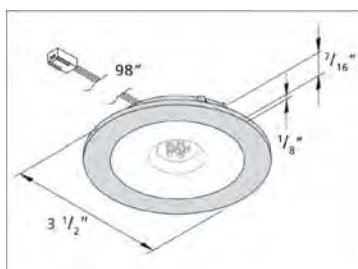
LED Constant Voltage Drivers

Aetna #	Description	1-9	10+
77-39-481	30 Watt	\$47.22	\$45.94
77-39-482	75 Watt	\$87.24	\$85.00
77-39-483	96 Watt	\$109.06	\$106.26

Optional Items

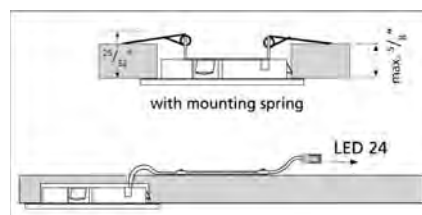
Accessories

Aetna #	Description	1-9	10+
77-39-490	Dimmer	\$24.09	\$23.29
77-39-491	Dimmer Controller	\$77.00	\$74.43
77-39-492	Distributor Cable	\$9.45	\$9.13
77-39-484	Motion-Activated Infrared Switch	\$17.80	\$16.98
77-39-493	Remote Control Dimmer	\$55.91	\$54.05
77-39-475	Rocker Switch	\$13.37	\$12.92



Cables and Connectors

Aetna #	Description	1-9	10+
77-39-495	Power Cable Extension 39"	\$2.76	\$2.66
77-39-496	Power Cable Extension 98"	\$3.99	\$3.85
77-39-485	Terminal Block	\$4.80	\$4.63



Stick2-LED

- Aluminum and plexiglas housing
- Extremely small dimensions: width: 3/8", height: 5/16"
- Light fixture can be recessed (flush with board) or surface mounted
- Approved for use in closet applications
- Available in four different sizes: 8" (1.6 W), 12" (2.4 W), 34" (7.2 W) and 46" (9.7 W)
- Available with cool white and warm white LEDs, as well as special color for meat cases
- Extremely high, even light output
- 50,000 hours useable life

- For unlimited runs order one Feed-In Stick for every 8'
- LED connecting cables are available in 1 3/16", 12" and 39" lengths
- Power supply cable 98" to be ordered separately
- To be used with 24 Vdc LED driver
- Dimmable with optional accessories
- Inline Dimmer Switch with 4 position light level available: 100 %, 50 %, 25 %, off
- Magnetic mounting clips available
- 45 degree mounting clips available by special order

Required Items



6 W Driver

OR



30 W Driver

OR



75 W Driver

Light Fixtures

Stick2-LED

Warm White

Aetna #	Length	Wattage	1-9	10+
77-39-380	8"	1.6 w	\$36.90	\$35.63
77-39-381	12"	2.4 w	\$53.71	\$52.60
77-39-382	34"	7.2 w	\$143.00	\$138.67
77-39-383	46"	9.7 w	\$190.67	\$184.89
77-39-384	12" Feed-In Stick		\$54.99	\$53.88

Cool White

Aetna #	Length	Wattage	1-9	10+
77-39-385	8"	1.6 w	\$36.90	\$35.63
77-39-386	12"	2.4 w	\$53.71	\$52.60
77-39-387	34"	7.2 w	\$143.00	\$138.67
77-39-388	46"	9.7 w	\$190.67	\$184.89
77-39-389	12" Feed-In Stick		\$54.99	\$53.88

Optional Items

Accessories

Aetna #	Description	1-9	10+
77-39-490	Dimmer	\$24.09	\$23.29
77-39-491	Dimmer Controller	\$77.00	\$74.43
77-39-492	Distributor Cable	\$9.45	\$9.13
77-39-395	Inline Dimmer Switch	\$17.25	\$16.67
77-39-484	Motion-Activated Infrared Switch	\$17.80	\$16.98
77-39-493	Remote Control Dimmer	\$55.91	\$54.05
77-39-399	Magnetic Mounting Clips	\$6.49	\$6.27
77-39-398	Mounting Clip Set	\$1.07	\$1.00
77-39-400	Cover Profile	\$15.92	\$14.38
77-39-486	Rocker Switch	\$9.56	\$8.63

LED Constant Voltage Drivers

Aetna #	Description	1-9	10+
77-39-480	6 Watt	\$22.77	\$21.72
77-39-481	30 Watt	\$47.22	\$45.94
77-39-482	75 Watt	\$87.24	\$85.00

Cables and Connectors

Aetna #	Description	1-9	10+
77-39-391	Power Cord 98"	\$4.74	\$4.55
77-39-392	Connecting Cable 1 3/16"	\$1.91	\$1.84
77-39-393	Connecting Cable 12"	\$2.34	\$2.25
77-39-394	Connecting Cable 39"	\$2.82	\$2.71
77-39-495	Power Cable Extension 39"	\$2.76	\$2.66
77-39-496	Power Cable Extension 98"	\$3.99	\$3.85
77-39-485	Terminal Block	\$4.80	\$4.63



StickVE-LED

- Aluminum and plexiglas housing
- Extremely small dimensions: width: 3/8", height: 5/16"
- Light fixture can be recessed (flush with board) or surface mounted
- Available in four sizes: 8" (2 W), 12" (3 W), 34"(8 W) and 46" (11 W)
- Integrated magnets built into the fixture
- Available with cool white or warm white LEDs
- Extremely high, even light output
- 30,000 hours useable life
- LED connecting cables are available in 4" and 21"
- 98" Power supply cable to be ordered separately
- To be used with 24 Vdc LED driver
- Dimmable with optional accessories
- Includes 2 Mounting brackets

Required Items



6 W Driver



30 W Driver



75 W Driver



96 W Driver

Light Fixtures

StickVE-LED

Warm White

Aetna #	Length	Wattage	1-9	10+
77-39-665	8"	2 w	\$27.68	\$25.00
77-39-666	12"	3 w	\$40.86	\$36.91
77-39-667	34"	8 w	\$122.57	\$110.71
77-39-668	46"	11 w	\$163.43	\$147.62

Cool White

Aetna #	Length	Wattage	1-9	10+
77-39-669	8"	2 w	\$27.68	\$25.00
77-39-670	12"	3 w	\$40.86	\$36.91
77-39-671	34"	8 w	\$122.57	\$110.71
77-39-672	46"	11 w	\$163.43	\$147.62

Optional Items

Accessories

Aetna #	Description	1-9	10+
77-39-490	Dimmer	\$24.09	\$23.29
77-39-491	Dimmer Controller	\$77.00	\$74.43
77-39-492	Distributor Cable	\$9.45	\$9.13
77-39-484	Motion-Activated Infrared Switch	\$17.80	\$16.98
77-39-493	Remote Control Dimmer	\$55.91	\$54.05
77-39-400	Cover Profile	\$15.92	\$14.38
77-39-486	Rocker Switch	\$9.56	\$8.63

LED Constant Voltage Drivers

Aetna #	Description	1-9	10+
77-39-480	6 Watt	\$22.77	\$21.72
77-39-481	30 Watt	\$47.22	\$45.94
77-39-482	75 Watt	\$87.24	\$85.00
77-39-483	96 Watt	\$109.06	\$106.26

Cables and Connectors

Aetna #	Description	1-9	10+
77-39-673	Power Cord 98"	\$3.15	\$2.85
77-39-674	Connecting Cable 4"	\$3.15	\$2.85
77-39-675	Connecting Cable 21"		
77-39-495	Power Cable Extension 39"	\$2.76	\$2.66
77-39-496	Power Cable Extension 98"	\$3.99	\$3.85
77-39-485	Terminal Block	\$4.80	\$4.63



R55-LED

- Energy efficient using only 3 W
- Excellent color rendering, CRI>80
- 50,000 hrs of usable life
- Available with cool white or warm white LEDs
- Attached 98" connecting cable with plug-in connector
- Finishes available: Stainless Steel and Matte Chrome
- No UV rays
- Available with surface mount ring
- Suitable for mounting in sheet metal
- To be used with 24 V DC LED Driver
- Dimmable with available accessories

Required Items



30 W Driver

OR



75 W Driver

OR



96 W Driver

Spotlights

R55-LED

Warm White

Aetna #	Description	Lumens	1-9	10+
77-39-726	Stainless Steel	165	\$48.93	\$47.24
77-39-727	Matte Chrome	165	\$48.93	\$47.24

Cool White

Aetna #	Description	Lumens	1-9	10+
77-39-730	Stainless Steel	165	\$48.93	\$47.24
77-39-731	Matte Chrome	165	\$48.93	\$47.24

Optional Items

Accessories

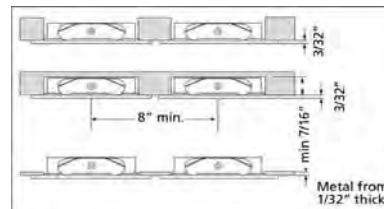
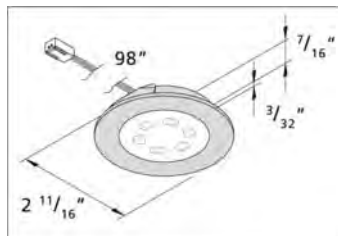
Aetna #	Description	1-9	10+
77-39-490	Dimmer	\$24.09	\$23.29
77-39-491	Dimmer Controller	\$77.00	\$74.43
77-39-492	Distributor Cable	\$9.45	\$9.13
77-39-484	Motion-Activated Infrared Switch	\$17.80	\$16.98
77-39-493	Remote Control Dimmer	\$55.91	\$54.05
77-39-486	Rocker Switch	\$9.56	\$8.63

LED Constant Voltage Drivers

Aetna #	Description	1-9	10+
77-39-480	6 Watt	\$22.77	\$21.72
77-39-481	30 Watt	\$47.22	\$45.94
77-39-482	75 Watt	\$87.24	\$85.00
77-39-483	96 Watt	\$109.06	\$106.26

Cables and Connectors

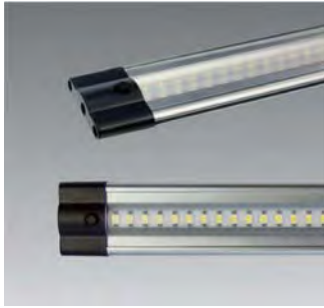
Aetna #	Description	1-9	10+
77-39-495	Power Cable Extension 39"	\$2.76	\$2.66
77-39-496	Power Cable Extension 98"	\$3.99	\$3.85
77-39-485	Terminal Block	\$4.80	\$4.63



AKOD-LED

- Energy Efficient with 50,000 hours useable life
- Three sizes available: 12" (3W), 20" (5W) and 39" (11W)
- Available with cool white or warm white LEDs
- Comes with 2 mounting clips, direct connector and 36" connecting cable
- IR Switch available for door applications
- Occupancy Sensor available
- Dimmers available for easy control at fixture or from away

Required Items



AKOD-LED

Warm White

Aetna #	Length	Watt	1-9	10+
77-39-756	12"	3	\$47.14	\$45.57
77-39-758	20"	5	\$76.94	\$74.38
77-39-760	39"	11	\$148.91	\$143.95

Cool White

Aetna #	Length	Watt	1-9	10+
77-39-755	12"	3	\$47.14	\$45.57
77-39-757	20"	5	\$76.94	\$74.38
77-39-759	39"	11	\$148.91	\$143.95

LED Power Supply

Aetna #	Description	1-9	10+
77-39-763	6W Driver with 5' Output Cord	\$17.98	\$17.38
77-39-764	12W Driver with 5' Input Cord and 5' Output Cord	\$29.52	\$28.53
77-39-765	24W Driver with 5' Input Cord and 5' Output Cord	\$32.74	\$31.65
77-39-766	36W Driver with 5' Input Cord and 5' Output Cord	\$45.73	\$44.21

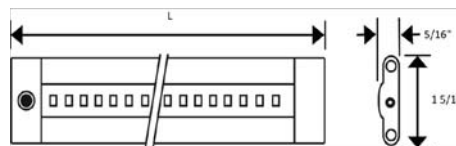
Cables

Aetna #	Description	1-9	10+
77-39-761	Connecting Cable	\$2.13	\$2.06

Optional Items

Accessories

Aetna #	Description	1-9	10+
77-39-767	Dimmer	\$12.93	\$12.49
77-39-768	Touch Dimmer	\$8.27	\$8.00
77-39-769	Occupancy Sensor	\$27.00	\$26.10
77-39-770	Infrared Sensor	\$26.95	\$26.05
77-39-771	4 Way Splitter	\$3.49	\$3.37
77-39-762	Direct Connector	\$1.05	\$1.02
77-39-772	Silver Magnet	\$6.97	\$6.73



TwinStick2-LED

- Aluminum and plexiglas housing
- Extremely small dimensions: width: 11/16", height: 5/16"
- Light fixture can be recessed (flush with board) or surface mounted
- Approved for use in closet applications
- Available in two different sizes: 8" (3.0 W) and 12" (4.4 W)
- Available with cool white and warm white LEDs, as well as special color for meat cases
- Extremely high, even light output

- 50,000 hours useable life
- For unlimited runs order one Feed-In Twinstick for every 8'
- LED connecting cables are available in 1 3/16", 12" and 39" lengths
- Power supply cable 98" to be ordered separately
- To be used with 24 Vdc LED driver
- Dimmable with optional accessories
- Inline Dimmer Switch with 4 position light level: 100 %, 50 %, 25 %, off

Required Items



30 W Driver

OR



75 W Driver

Light Fixtures

TwinStick2-LED

Warm White

Aetna #	Length	Wattage	1-9	10+
77-39-405	8"	3 w	\$60.53	\$59.31
77-39-406	12"	4.4 w	\$74.14	\$72.22
77-39-407	12" Feed-In Stick		\$77.31	\$75.30

Cool White

Aetna #	Length	Wattage	1-9	10+
77-39-408	8"	3 w	\$60.53	\$59.31
77-39-409	12"	4.4 w	\$74.14	\$72.22
77-39-410	12" Feed-In Stick		\$77.31	\$75.30

LED Power Supply

Aetna #	Description	1-9	10+
77-39-481	Constant Voltage Driver 30 Watt	\$47.22	\$45.94
77-39-482	Constant Voltage Driver 75 Watt	\$87.24	\$85.00

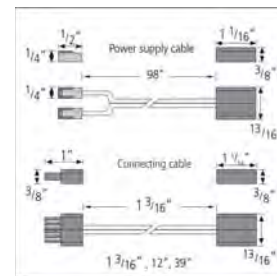
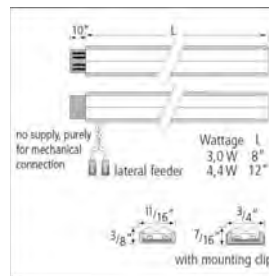
Cables and Connectors

Aetna #	Description	1-9	10+
77-39-412	Power Cord 98"	\$5.93	\$5.71
77-39-413	Connecting Cable 1 3/8"	\$2.75	\$2.65
77-39-414	Connecting Cable 12"	\$3.41	\$3.28
77-39-415	Connecting Cable 39"	\$4.16	\$4.01
77-39-495	Power Cable Extension 39"	\$2.76	\$2.66
77-39-496	Power Cable Extension 98"	\$3.99	\$3.85
77-39-485	Terminal Block	\$4.80	\$4.63

Optional Items

Accessories

Aetna #	Description	1-9	10+
77-39-490	Dimmer	\$24.09	\$23.29
77-39-491	Dimmer Controller	\$77.00	\$74.43
77-39-492	Distributor Cable	\$9.45	\$9.13
77-39-416	Inline Dimmer Switch	\$17.61	\$16.67
77-39-484	Motion-Activated Infrared Switch	\$17.80	\$16.98
77-39-493	Remote Control Dimmer	\$55.91	\$54.05
77-39-419	Cover Profile	\$15.92	\$15.37
77-39-418	Mounting Clip Set	\$1.85	\$1.78
77-39-475	Rocker Switch	\$13.37	\$12.92



ARF-LED

- Recess depth only 5/8" or 1/2" (with spacer ring DR13)
- When surface mounted, overall height 7/8"
- Friction fit
- Approved for use in closet applications
- Only 3 Watt power consumption (3 x 1 W LEDs)
- Available with cool white or warm white LEDs
- Finishes: white, black, chrome, stainless steel and gold

- Attached 69" connecting cable with plug-in connector
- To be used with 350 mA constant current DC converter
- Special accessories available:
DR13-Spacer ring to reduce recessed depth
DI13-Surface mount ring
- Additional LED connecting cables are available in 36" and 72"
- Dimmable with available accessories

Required Items



10 W Driver

OR



18 W Driver

Spotlights

ARF-LED

Warm White

Aetna #	Finish	1-9	10+
77-39-200	White	\$132.74	\$128.59
77-39-201	Black	\$132.74	\$128.59
77-39-202	Chrome	\$132.74	\$128.59
77-39-203	Gold	\$132.74	\$128.59
77-39-204	Stainless Steel	\$132.74	\$128.59

Cool White

Aetna #	Finish	1-9	10+
77-39-205	White	\$132.74	\$128.59
77-39-206	Black	\$132.74	\$128.59
77-39-207	Chrome	\$132.74	\$128.59
77-39-208	Gold	\$132.74	\$128.59
77-39-209	Stainless Steel	\$132.74	\$128.59

LED Power Supply

Aetna #	Description	1-9	10+
77-39-464	Driver 10 W	\$32.51	\$31.42
77-39-472	Dimmable Driver 18 W	\$71.79	\$69.40
77-39-491	LED Dimmer Controller	\$77.00	\$74.43

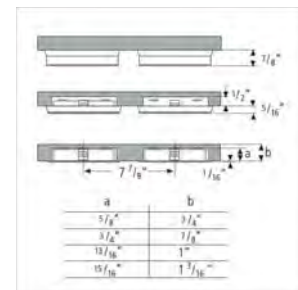
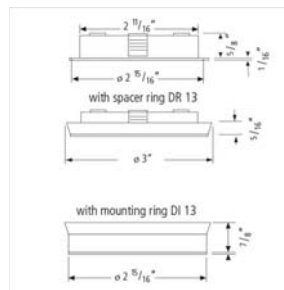
Cables

Aetna #	Description	1-9	10+
77-39-476	Connecting Cable 36"	\$6.75	\$6.51
77-39-477	Connecting Cable 72"	\$7.77	\$7.50

Optional Items

Surface Mount Rings

Aetna #	Finish	1-9	10+
77-39-835	White	\$2.96	\$2.85
77-39-836	Black	\$2.96	\$2.85
77-39-837	Chrome	\$3.35	\$3.23
77-39-838	Gold	\$3.35	\$3.23
77-39-839	Stainless Steel	\$3.35	\$3.23



Stick3-LED

- Linear LEDs with frosted lens
- Extremely small dimensions: width: 1/2", height: 1/2"
- Light fixture can be recessed (flush with board) or surface mounted
- Available in five sizes: 12" (4 W), 24" (7.5 W), 34" (11.5 W) and 46" (15 W)
- Available in 3000K, 4000K and 5000K
- Extremely high, even light output
- Excellent color rendering >85
- 50,000 hours useable life
- To be used with 24 Vdc LED driver
- Magnetic mounting clips available

Required Items



6 W Driver

OR



30 W Driver

OR



75 W Driver

OR



96 W Driver

Light Fixtures

Stick3-LED

Warm White

Aetna #	Length	Wattage	1-9	10+
77-39-683	12"	4 w	\$62.66	\$60.50
77-39-684	24"	8 w	\$100.58	\$97.23
77-39-685	34"	12 w	\$181.47	\$175.42
77-39-686	46"	16 w	\$241.95	\$233.89

Cool White

Aetna #	Length	Wattage	1-9	10+
77-39-679	12"	4 w	\$62.66	\$60.50
77-39-680	24"	8 w	\$100.58	\$97.23
77-39-681	34"	12 w	\$181.47	\$175.42
77-39-682	46"	16 w	\$241.95	\$233.89

Optional Items

Accessories

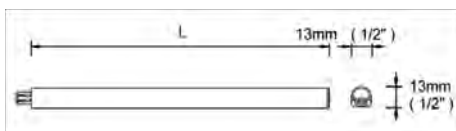
Aetna #	Description	1-9	10+
77-39-490	Dimmer	\$24.09	\$23.29
77-39-491	Dimmer Controller	\$77.00	\$74.43
77-39-492	Distributor Cable	\$9.45	\$9.13
77-39-484	Motion-Activated Infrared Switch	\$17.80	\$16.98
77-39-493	Remote Control Dimmer	\$55.91	\$54.05
77-39-692	Magnetic Mounting Clips	\$5.44	\$5.24
77-39-693	45 Degree Mounting Clips	\$1.01	\$0.98
77-39-691	Mounting Clip Set	\$0.98	\$0.94
77-39-475	Rocker Switch	\$13.37	\$12.92

LED Constant Voltage Drivers

Aetna #	Description	1-9	10+
77-39-480	6 Watt	\$22.77	\$21.72
77-39-481	30 Watt	\$47.22	\$45.94
77-39-482	75 Watt	\$87.24	\$85.00
77-39-483	96 Watt	\$109.06	\$106.26

Cables and Connectors

Aetna #	Description	1-9	10+
77-39-694	Power Cord 59"	\$8.03	\$7.75
77-39-695	Connecting Cable 2"	\$5.38	\$5.19
77-39-696	Connecting Cable 12"	\$5.83	\$5.63
77-39-697	Connecting Cable 39"	\$7.38	\$7.12
77-39-485	Terminal Block	\$4.80	\$4.63



Door Hardware

BI-Fold | By-PASS | POCKET | METRO Wall Mount



KNAPE & VOGT®

The Knapé & Vogt® Door Hardware Program
Featuring a broad range of size and weight class
hardware kit options for Bi-Fold, By-Pass, Pocket
and Wall Mount Sliding Doors.

The Knapé & Vogt name means quality and innovation,
with products that are designed and built to survive
a lifetime of use.

By specializing in sliding door hardware, Knapé & Vogt
has established a program of superior products at an
exceptional value.

Architects and builders will find everything they need
to specify Knapé & Vogt door hardware including the
finest customer service team in the industry.



KNAPE & VOGT®

BI-FOLD DOORS

Bi-Fold doors are the versatile sliding door solution. Bi-Fold doors are applicable in a broad range of environments from pantries and closets, to room dividers and laundry facilities.

With Knapé & Vogt door hardware, they are easy to install and offer a classic, elegant answer for lightweight to mid-heavyweight doors.

Knapé & Vogt Bi-Fold Door Hardware is constructed of superior materials and engineered to perform in high traffic situations.



KNAPE & VOGT.



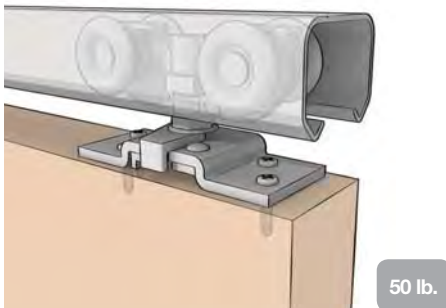
BI-FOLD DOORS

BIF-50S & BIF-50A Series

Steel or Aluminum Track Door Hardware

Hardware for medium to light-weight two and four panel bi-fold doors. The BIF-50S (steel track) and 50A (aluminum track) series are ideal for 50 lb bi-fold doors used for residential interior closets and pantries.

- Door thickness: 3/4" to 1-3/4"
- Load rating: Up to 50 lbs per panel (bi-fold)
- Track: 50S steel box track; 50A aluminum box track
- Carrier: 4-wheel ball bearing
- Compares to: Hettich/Grant 1600, Johnson 170A, 1700, 1770, 1718, 1734, 1738, IIIFD Stanley BF50
- Conforms to: ANSI/BHMA A156.14-2007 Grade 1, D8621, D8622, D8623

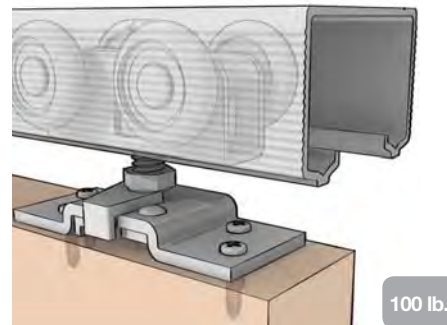


BIF-100A Series

Aluminum Track Door Hardware

Hardware for heavy-weight two and four panel bi-fold doors. The BIF-100A series is ideal for 100 lb bi-fold doors used for a variety of commercial and residential interior applications.

- Door thickness: 1-3/8" to 1-3/4"
- Load rating: Up to 100 lbs per panel (bi-fold)
- Track: Aluminum box track with ribbing
- Carrier: 4-wheel ball-bearing
- Compares to: Johnson 100FD
- Conforms to: ANSI/BHMA A156.14-2007 Grade 1, D8621, D8622, D8623

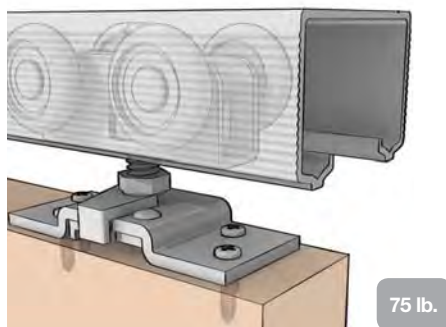


BIF-75A SERIES

Aluminum Track Door Hardware

Hardware for medium-weight two and four panel bi-fold doors. The BIF-75A series is ideal for 75 lb bi-fold doors used for commercial and residential interior closets and pantries.

- Door thickness: 1-3/8" to 1-3/4"
- Load rating: Up to 75 lbs per panel (bi-fold)
- Track: Aluminum box track
- Carrier: 4-wheel low friction bearing
- Compares to: Johnson 100FD
- Conforms to: ANSI/BHMA A156.14-2007 Grade 1, D8621, D8622, D8623

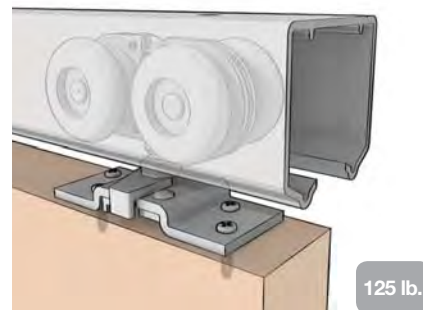


BIF-125A Series

Aluminum Track Door Hardware

Hardware for heavy-weight two and four panel bi-fold doors. The BIF-125A series is ideal for 125 lb bi-fold doors used in a wide range of commercial and residential applications.

- Door thickness: 1-1/8" to 1-3/4"
- Load rating: Up to 125 lbs per panel (bi-fold)
- Track: Aluminum box track
- Carrier: 4-wheel ball-bearing
- Compares to: Hettich/Grant 1260, Johnson 200FD, Stanley BF125N
- Conforms to: ANSI/BHMA A156.14-2007 Grade 1, D8621, D8622, D8623



Please contact your local sales representative for additional information.

BY-PASS DOORS

By-Pass doors are the traditional sliding door solution for any size closet, doors between rooms, storage walls, and movable partitions. Today, with homeowners choosing smaller, energy-conscious, sustainable homes, sliding doors are an easy way to maximize usable floor space.

Knape & Vogt By-Pass Sliding Door Hardware offer complete sets in a wide range of styles and weight classes. From 50lb. doors to 250lb. doors, KV has a by-pass door solution for most interior applications.

Tracks in either steel, or extruded aluminum, are manufactured to exacting specifications and are tested to meet or exceed ANSI and BHMA standards.



KNAPE & VOGT



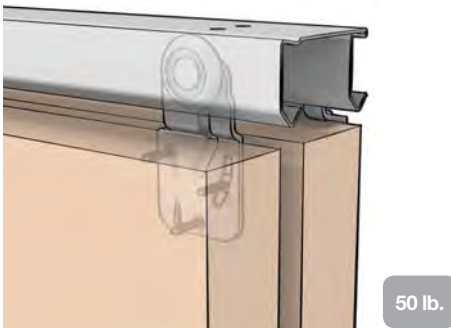
BY-PASS DOORS

BYP-50S Series

Steel Track Door Hardware

Hardware for light to mid-weight two and three panel by-pass doors. The BYP-50S series is ideal for 50 lb by-pass doors used in residential closets, pantries, and room dividers.

Door thickness: 3/4" to 1-3/8"
 Load rating: Up to 50 lbs per door
 Track: Double J steel track
 Carrier: Single wheel low friction bearing
 Compares to: Hettich/Grant 6034, Johnson 1166, 1138, 113F
 Conforms to: ANSI/BHMA A156.14-2007 Grade 2, D8742



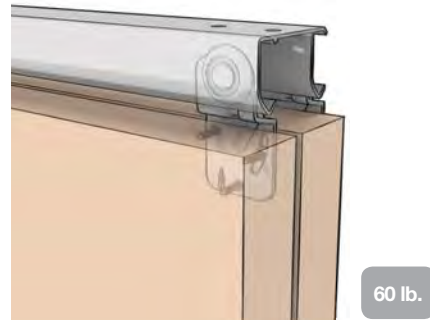
50 lb.

BYP-6A Series

Aluminum Track Door Hardware

Hardware for light to mid-weight two and three panel by-pass doors. The BYP-60A series is ideal for 60 lb by-pass doors used in residential closets, pantries, and room dividers.

Door thickness: 3/4" to 1-3/8"
 Load rating: Up to 60 lbs per door
 Track: Aluminum double-J track
 Carrier: Single wheel low friction bearing
 Compares to: Hettich/Grant 6065, Johnson 2222, Stanley BP60, BPD60, BP75-03
 Conforms to: ANSI/BHMA A156.14-2007 Grade 2, D8742



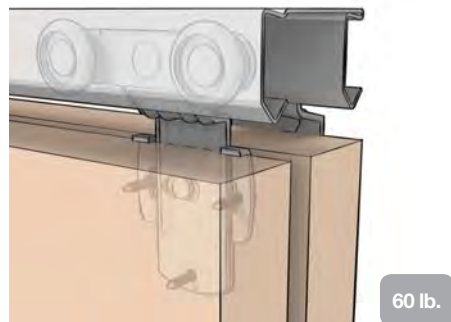
60 lb.

BYP-60S SERIES

Steel Track Door Hardware

Hardware for light to mid-weight two and three panel by-pass doors. The BYP-60S series is ideal for 60 lb by-pass doors used in residential closets, pantries, and room dividers.

Door thickness: 3/4" to 1-3/8"
 Load rating: Up to 60 lbs per door
 Track: Double-J steel track
 Carrier: Twin wheel low friction bearing
 Compares to: Hettich/Grant 6065, Johnson 1166, 1138, 113F Stanley BP60, BPD60
 Conforms to: ANSI/BHMA A156.14-2007 Grade 2, D8742



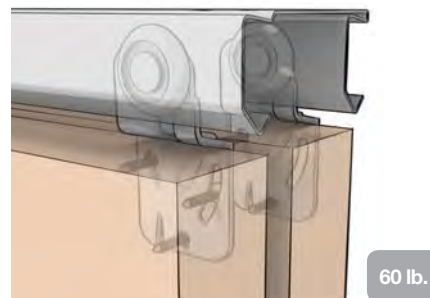
60 lb.

BYP-60SW SERIES

Steel Wide Track Door Hardware

Hardware for wide-track light to mid-weight two and three panel by-pass doors. The BYP-60SW series features an extra wide track for 1-3/4" thick doors and single wheel carriers for smooth door movement. The extra wide track is ideal for high-quality, thicker 60 lb by-pass doors used in residential custom closets, pantries, and room dividers.

Door thickness: 1-3/8" to 1-3/4"
 Load rating: Up to 60 lbs per door
 Track: Double-J steel track
 Carrier: Single wheel low friction bearing
 Compares to: Hettich/Grant 6065, Stanley BP75-01
 Conforms to: ANSI/BHMA A156.14-2007 Grade 2, D8742



60 lb.

Please contact your local sales representative for additional information.

BY-PASS DOORS

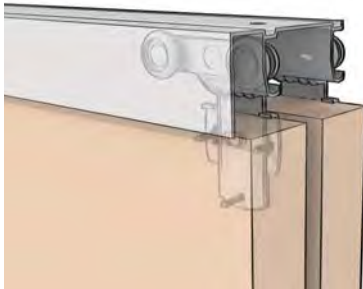


BYP-75AFW Series

Aluminum Wide Fascia Door Hardware

Hardware for wide-track mid-weight two and three panel by-pass doors. The BYP-75AFW series features an extra wide track with 1-9/16" smooth fascia and twin wheel carriers for smooth door movement. The wide track and built-in fascia is ideal for thicker 75 lb by-pass doors used in high quality custom closets, pantries, and room dividers.

- Door thickness: 1-3/8"
- Load rating: Up to 75 lbs per door
- Track: Double-J aluminum track with 1-9/16" smooth fascia
- Carrier: Twin wheel low friction bearing
- Compares to: Hettich/Grant 6065, Johnson 2200F, 118F, Stanley BP75-03
- Conforms to: ANSI/BHMA A156.14-2007 Grade 2, D8752



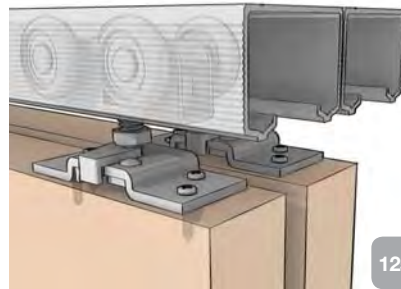
75 lb.

BYP-125A Series

Aluminum Track Door Hardware

Hardware for heavy-weight two panel by-pass doors. The BYP-125A series features adjustable door guides and 4-wheel carriers for smooth door movement. Ideal for 125 lb by-pass doors used in commercial and residential interior closets, pantries, and room dividers.

- Door thickness: 1-3/8" to 1-3/4"
- Load rating: Up to 125 lbs per door
- Track material: Single aluminum box track
- Carrier: 4-wheel low friction bearing
- Compares to: Johnson 134F, 138F
- Conforms to: ANSI/BHMA A156.14-2007 Grade 1, D8731, D8741, D8742



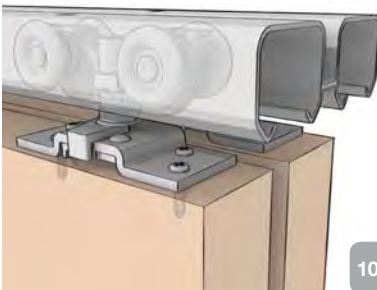
125 lb.

BYP-100A Series

Aluminum Track Door Hardware

Hardware for mid to heavy-weight two and three panel by-pass doors. The BYP-100A series features adjustable door guides and 4-wheel carriers for smooth door movement. Ideal for 100 lb by-pass doors used in commercial and residential interior closets, pantries, and room dividers.

- Door thickness: 1-3/8" to 1-3/4"
- Load rating: Up to 100 lbs per door
- Track: Double Aluminum box track
- Carrier: 4-wheel ball bearing
- Compares to: Hettich/Grant 6064, Stanley BP75-02
- Conforms to: ANSI/BHMA A156.14-2007 Grade 1, D8741, D8742



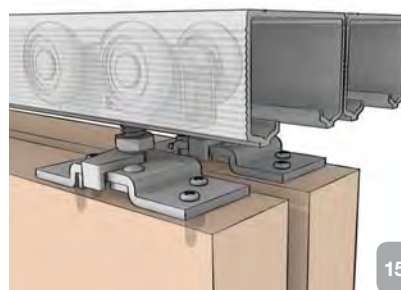
100 lb.

BYP-150A Series

Aluminum Track Door Hardware

Hardware for heavy-weight two panel by-pass doors. The BYP-150A series features adjustable door guides and 4-wheel ball bearing carriers for smooth and quiet door movement. Ideal for 150 lb by-pass doors used in commercial and residential interior closets, pantries, and room dividers.

- Door thickness: 1-3/8" to 1-3/4"
- Load rating: Up to 150 lbs per door
- Track: Single Aluminum box track
- Carrier: 4-wheel ball bearing
- Compares to: Hettich/Grant 72-034, 72-118, 72-134, 72-138, 72-222, 72-223, 73-034, 73-134, 73-138, Johnson 111SD, Stanley BP150N
- Conforms to: ANSI/BHMA A156.14-2007 Grade 1, D8731, D8741, D8742



150 lb.

Please contact your local sales representative for additional information.

POCKET DOORS

Pocket doors are a great way to save space, and add a sophisticated look to interior doors. The zero clearance required for pocket doors makes them particularly smart for smaller rooms. Pocket doors work well for dining rooms, master bathrooms, wardrobes, kitchens, or anywhere floor space is at a premium.

Knape & Vogt Pocket Door Hardware is designed for ease of installation, and long life. The rugged construction, attention to detail, and value, makes pocket doors an option for any home or commercial building.



POCKET DOORS

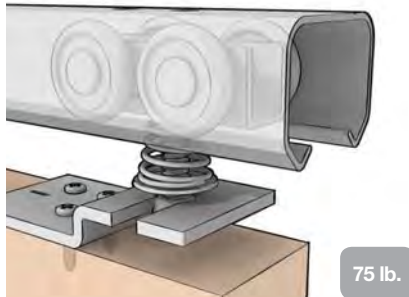


PKT-75S Series

Steel and Aluminum Track Door Hardware

Hardware for medium-weight single pocket doors. The PKT-75S (steel track) series features a 4-wheel spring carrier for smooth gliding movement. Ideal for 75 lb pocket doors used in a variety of residential applications. Bi-parting doors are possible with the optional bi-parting door kit.

Door thickness: 1-1/8" to 1-3/4"
 Load rating: Up to 75 lbs per door
 Track: 75S - Steel box track
 75A - Aluminum box track
 Carrier: 4-wheel low friction bearing
 Compares to: Hettich/Grant 6023, 6053, Johnson 2800, 2850, 111PD, Stanley PD75
 Conforms to: ANSI/BHMA A156.14-2007
 Grade 1, D8691, D8692
 With bi-parting kit - Grade 1, D8721, D8722

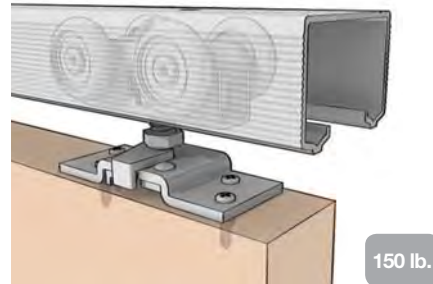


PKT-150A Series

Aluminum Track Door Hardware

Hardware for heavy-weight single pocket doors. The PKT-150A series features a 4-wheel ball bearing carrier with quick release top mount plate for smooth gliding movement. Ideal for 150 lb pocket doors used in a variety of commercial and residential applications. Bi-parting doors are possible with the optional bi-parting door kit.

Door thickness: 1-3/8" to 1-3/4"
 Load rating: Up to 150 lbs per door
 Track: Aluminum box track
 Carrier: 4-wheel ball bearing
 Compares to: Hettich/Grant 71-034, 71-111, 71-138, 71-222, 150, 5150, Johnson 111PD, Stanley PD150
 Conforms to: ANSI/BHMA A156.14-2007
 Grade 1, D8681, D8691, D8692
 With bi-parting kit - Grade 1, D8711, D8721, D8722

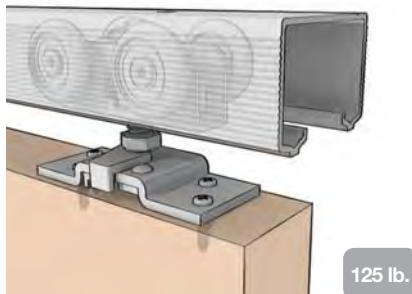


PKT-125A Series

Aluminum Track Door Hardware

Hardware for mid to heavy-weight single pocket doors. The PKT-125A series features a 4-wheel carrier for smooth gliding movement with quick release top mount plate. Ideal for 125 lb pocket doors used in a variety of commercial and residential applications. Bi-parting doors are possible with the optional bi-parting door kit.

Door thickness: 1-3/8" to 1-3/4"
 Load rating: Up to 125 lbs per door
 Track: Aluminum box track
 Carrier: 4-wheel low friction bearing
 Compares to: Johnson 100PD
 Conforms to: ANSI/BHMA A156.14-2007
 Grade 1, D8681, D8691, D8692
 With bi-parting kit - Grade 1, D8711, D8721, D8722



Please contact your local sales representative for additional information.

METRO WALL MOUNT DOORS

Architecturally Designed Wall-mount Sliding Door Hardware for Residential and Commercial Spaces.

METRO is designed to blend seamlessly with any interior décor — from a cosmopolitan postmodern loft, to a space-saving traditional environment — METRO’s architecturally focused design delivers a clean, finished look to any interior doorway or room divider



METRO WALL MOUNT DOORS



WM-M250A Series

Aluminum Wall-mount System for 250 lb Sliding Doors.

Aluminum wall-mount track, fascia, end caps and hardware for heavy duty single door and bi-parting doors.

Features:

- Low profile fascia and track
- End cap conceals track and fascia
- Etched Aluminum clear and dark bronze finishes
- Track supports up to 250 lbs.
- Quiet 4-wheel ball bearing carriers

Benefits:

- Space saving solution for interior doorways and room dividers
- Ease of installation
- Architecturally designed fascia snaps easily on wall-mounted track
- End caps with concealed fasteners provide a finished look

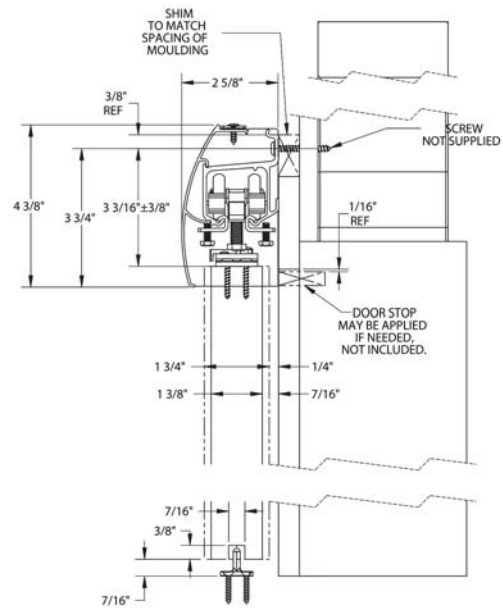
Applications:

Residential:	Commercial:
Room divider	Office
Pantry	Healthcare
Closet	Institutional
	Hospitality

Specifications:

Door thickness: 1" to 1-3/4"
 Load rating: Up to 250 lbs.
 Track material: Single aluminum box track
 Carrier: 4-wheel ball bearing
 Compares to: Pemko 280SWT, Johnson 2610F, 2610FB
 Conforms to: ANSI BHMA A156.14-2007
 Grade 1, D8011, D8681, D8691
 Grade 2, D8012, D8692
 Bi-parting Grade 1, D8711
 Grade 2, D8721

Side Wall-mount



Parts Bag

SKU	Description	Pack Qty	Weight (Lb)
PB-WM-250	Hardware for one door	10	12

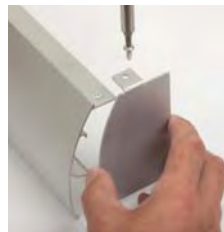


Parts Bag

Ease of Installation



Step 1: Install wall-mount track.



Step 2: Secure end caps to fascia.

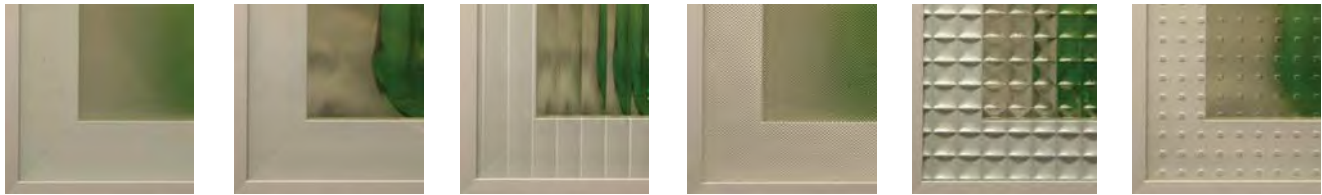


Step 3: Snap fascia onto wall-mount track.

Please contact your local sales representative for additional information.



Standard Glass Insert Options



satin* clear* reeded listral D austral master carre

- Glass inserts are 5/32" (4mm) thick
- Etched and patterned side facing in unless otherwise specified
- All glass is tempered safety glass without a tempered logo unless otherwise specified

* Also available in low-iron glass. Contact Element Designs for more information

Backpainted Glass Insert Options



white gloss white matte black gloss black matte charcoal gloss charcoal matte
 sand gloss sand matte olive gloss olive matte mocha gloss mocha matte
 scarlet gloss scarlet matte silver gloss* silver matte* bronze gloss* bronze matte*

- High quality water based paint on low iron glass *metallic
- All glass is tempered safety glass without a tempered logo unless otherwise specified
- 177 Non-Standard and Custom colors available. See page 86 for more information.
- All backpainted glass has a light grey backer for added durability

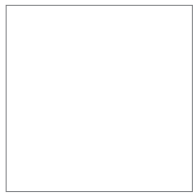


aluminum laminate brushed stainless laminate platinum ice acrylic

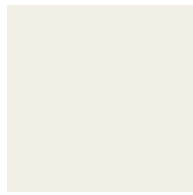
Metallic Insert Options

- Inserts are 5/32" (4mm) thick
- Platinum ice acrylic not available with AF006

High Gloss PARAPAN® Insert Options



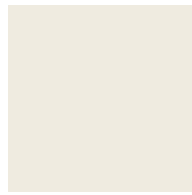
alpine white
5910



white
5907



opal white
5196



latte
5772



pale ivory
5525



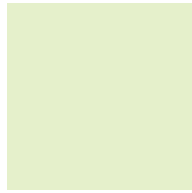
light grey
5290



stone grey
5295



cappuccino
5773



mint
5421



kiwi
5440



turquoise
5471



cobalt blue
5380



orange
5570



bordeaux
5600



signal red
5655



oxide red
5771



brown
5776



black
5299

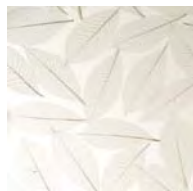
- High gloss solid surface PARAPAN® material
- Complimentary cleaner provided with orders
- High gloss PARAPAN® inserts not available with AF006
- Inserts are 5/32" (4mm) thick
- UV and fade resistant
- Easy to clean and water resistant

Images may not be exact representations of solid surface color options. Contact Element Designs to obtain samples.

3form Architectural Resin Insert Options



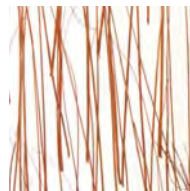
bear grass



fossil leaf



thatch



ting ting



quattro carbon



wisp silver



linea ivory



pop clear

- Inserts are 5/32" (4mm) thick
- Sandstone finish on front and back
- Resin inserts contain organic materials and may vary in color and density due to natural conditions



Natural Aluminum Finish Knobs



K001

K005

K006

K007

K008

K009

Handles & Pulls

natural aluminum finish



Finger Pulls



available lengths:

- P1-127 Length: 7 3/8" (5" c. to c.)
- P1-190 Length: 9 13/16" (7 1/2" c. to c.)
- P1-250 Length: 12 13/16" (9 13/16" c. to c.)
- P1-380 Length: 17 5/16" (14 15/16" c. to c.)
- P1-640 Length: 27 9/16" (25 3/16" c. to c.)
- P1-880 Length: 37" (34 5/8" c. to c.)

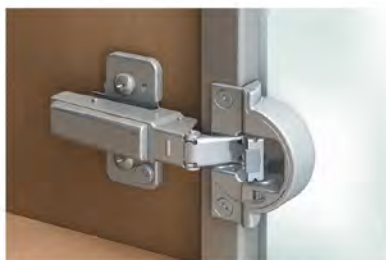
P2-42
Length: 3" (2" c. to c.)
natural aluminum finish

P2-42S
Length: 3" (2" c. to c.)
brushed stainless steel look finish

P2-42ORB
Length: 3" (2 1/4" c. to c.)
oil rubbed bronze finish

P2-42 pulls also available in custom lengths

Functional Hardware



Wide and narrow frame hinges



AVENTOS Lift Systems



Backpainted Glass

- Custom manufactured to your specifications
- Specially formulated water based paint with low VOC content
- Furniture quality finish with total opacity in backpainted glass panels
- Nine standard colors
- 177 non-standard colors
- Custom colors available
- Low-iron gloss tempered glass in 4, 6, 10 & 12mm
- Low-iron matte tempered glass in 4 & 12mm
- Highest quality edge work options include flat edge polish, pencil polish and beveled edges
- Custom etching available
- Proudly made in the USA

Standard Colors

white gloss	white matte	black gloss	black matte	charcoal gloss	charcoal matte
sand gloss	sand matte	olive gloss	olive matte	mocha gloss	mocha matte
scarlet gloss	scarlet matte	silver gloss*	silver matte*	bronze gloss*	bronze matte*

*metallic

Custom Colors

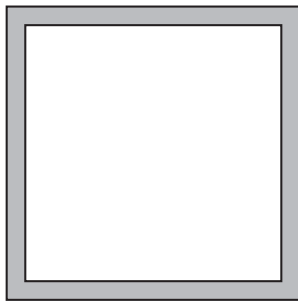
Element Designs can provide exact color matches for custom projects. A custom color match fee covers the paint matching process and two 12" x 12" samples for approval. A portion of the color match fee will be credited towards the custom backpainted glass order. Samples of non-standard colors can also be obtained for a fee.



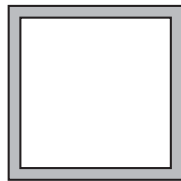
Aluminum Frame Base Systems

- Structurally rigid construction using 50mm x 50mm or 30mm x 30mm tube extrusion
- High quality anodized aluminum in finishes identical to aluminum frame door program
- Easy attachment to casework or countertops using screws, brackets or double sided tape
- All base systems are produced to our customers' exact specifications with a +/- 1/32" tolerance
- Simple assembly (arrives fully or partially assembled)
- All required assembly tools ship with base systems
- Numerous configurations available
- No minimum order quantities
- Quick lead times
- Proudly made in the USA

Profile Options



BS001 (50mm)



BS002 (30mm)



End Cap



Leveling Foot

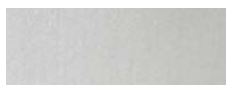


Caster*

* Only with BS001

Support Options

Anodized Aluminum



natural aluminum



brushed stainless

Profile Finishes



black



white



oil rubbed bronze



°eluma LED Shelving & DecoPanel/ DecoSplash

- Patented lighting technology
- Made to exact specifications with a +/- 1/32" tolerance
- Environmentally friendly and energy efficient LED technology
- High quality 50,000 hour useful life LEDs
- No heat or UV emissions: safe for use with cosmetics, food and beverages
- Simple installation: no hard wiring necessary
- No minimum order quantities
- Short lead times
- ETL listed for US and Canada
- Proudly made in the USA
- Shelving is fully adjustable in cabinet when used as shelf with adjustable components
- DecoPanels available with custom printed glass inserts or standard decorative insert options



°eluma LED Color Temperatures

warm (3500K)



daylight (6500K)



RGB (color changing LED)

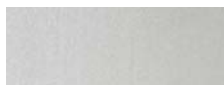


All LED color temperatures have a 50K hour useful life

RGB option includes programmable RF remote with color, speed and dimming control capabilities

Profile Finishes

— Anodized Aluminum —



natural aluminum



brushed stainless

— Powder Coat —



black



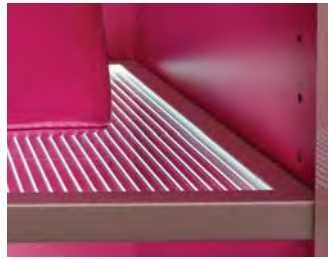
white



oil rubbed bronze



°eluma LED Shelving Profiles

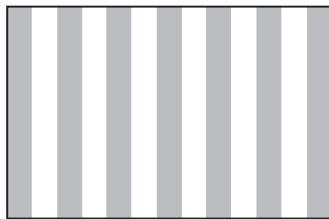


EL001

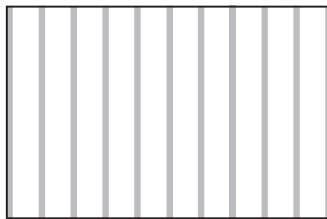


EL002

Insert Etch Pattern Options



1/4" etched lines at 1/4" spacing

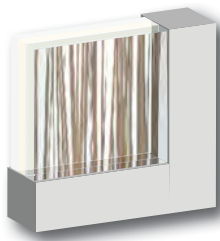


1/16" etched lines at 1/4" spacing



Linear Etch Pattern

°eluma DecoPanel/Splash Profile

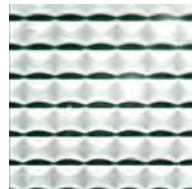


DecoPanel Insert Options

Textured Glass (Tempered)



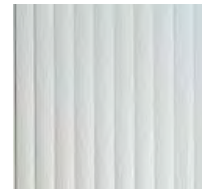
satin



austral

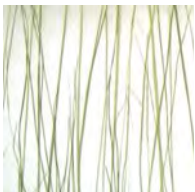


master carre

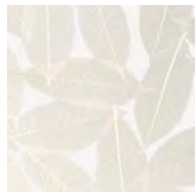


reeded

3form Architectural Resin Insert Options



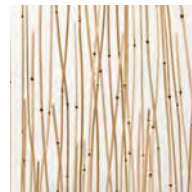
bear grass



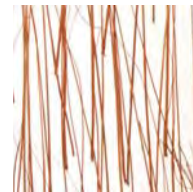
fossil leaf



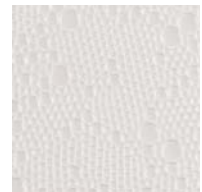
silver wisp



thatch



ting ting



pop clear

Digitally Printed Glass (Tempered)



mosaic brown



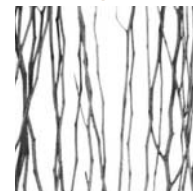
twigs brown



autumn grass



mosaic gray



twigs gray



green grass

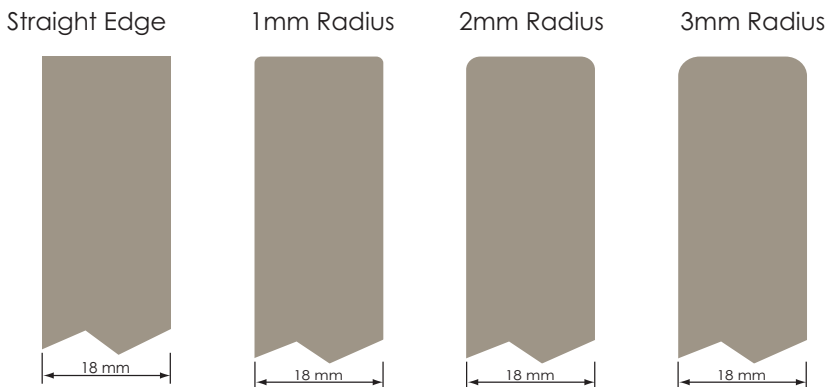


PARAPAN® Solid Surface Doors

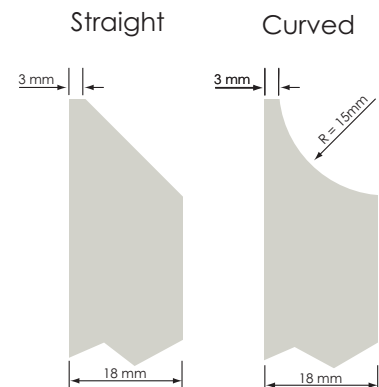


- PARAPAN is a high quality, solid surface acrylic material, with a perfect flat mirror finish on all six surfaces
- All doors are produced to a +/- 1/32" tolerance
- Available in 19 brilliant colors
- UV and fade resistant
- Water resistant
- Easy to maintain, see page 77 for more information
- Environmentally friendly - no VOCs, free of formaldehyde and plasticizers
- Doors arrive fully fabricated and ready to install
- 4mm sheets also available (1m x 3m sheet size)
- Quick lead times
- No minimum order quantities

Edge Radius Options



Integrated Pulls



- Functional and decorative hardware borings will be predrilled per specification
- Only available as finished doors and panels
- 4mm solid surface panels available in full sheets or cut to size for cabinet cladding and appliance applications
- PARAPAN 18mm doors are available with a choice of two standard integrated pull options
- Contact Element Designs for availability of additional custom integrated finger pull shapes



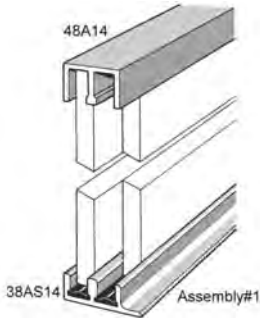
Sliding Door Tracks

Aluminum

Track Assemblies. Polybagged with all components and installation instructions. 10 per case.

Assembly #1

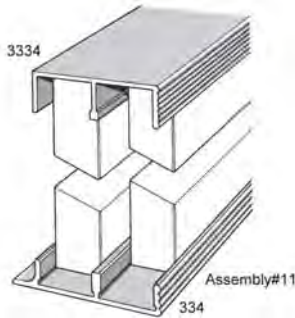
Extruded aluminum sliding door track and guide system for heavier 1/4" bypassing doors. Bottom track has machined, hardened fiber inserts. Installation screws included.



Product Code	Lgth. In.	For Door Thickness In.	List	Each	Case
74-66-001	48	1/4	\$93.30	\$53.32	\$49.76
74-66-004	72	1/4	137.68	78.68	73.43

Assembly #11

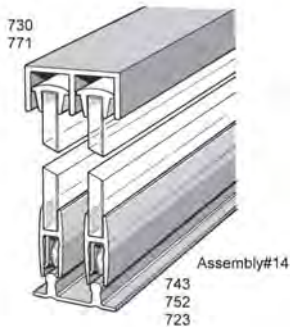
Extruded aluminum sliding door track and guide system for heavier 3/4" bypassing doors. Serrated face is designed to provide an attractive finished fascia. Four #33 button glides provide a smooth sliding action. Installation screws included.



Product Code	Lgth. In.	For Door Thickness In.	List	Each	Case
74-66-007	48	3/4	\$69.60	\$39.77	\$37.11
74-66-010	72	3/4	98.52	56.30	52.55

Assembly #14

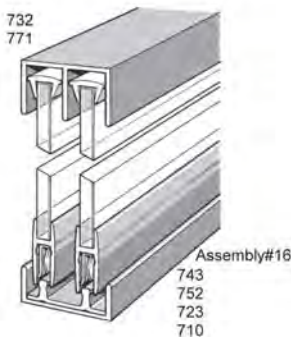
Consists of one 730 upper guide, two 743 shoes, one 723 double track, four 752 rollers, four 771 clip guides, glazing vinyl, and mounting screws.



Product Code	Lgth. In.	For Door Thickness In.	List	Each	Case
74-66-013	48	1/4	\$72.68	\$41.53	\$38.76
74-66-016	72	1/4	121.32	69.33	64.71

Assembly #16

Consists of one 732 upper guide, two 743 shoes, one 723 double track, one 710-A track base, four 752 rollers, four 771 clip guides, glazing vinyl, and mounting screws.



Product Code	Lgth. In.	For Door Thickness In.	List	Each	Case
74-66-022	72	1/4	\$159.24	\$91.00	\$84.93



Casters

For use on furniture and equipment. Corrosion-resistant. Zinc plated finish.



Rigid



Swivel

Product Code	Wheel Type	Description	Capacity Lbs.	Case Qty.	List	Each	Case
1" Tread Width – 2" Wheel Diameter – 2-7/16" Overall Height							
77-40-270	Soft rubber	Rigid	90	50	\$4.20	\$2.40	\$2.24
77-40-271	Soft rubber	Swivel	90	50	4.98	2.84	2.65
77-40-272	Soft rubber	Swivel w/ brake	90	50	6.40	3.66	3.41
77-40-273	Plastic	Rigid	125	50	4.08	2.33	2.17
77-40-274	Plastic	Swivel	125	50	4.86	2.77	2.59
77-40-275	Non-marking	Rigid	125	50	5.08	2.90	2.71
77-40-276	Non-marking	Swivel	125	50	6.40	3.66	3.41
1-1/8" Tread Width – 2-1/2" Wheel Diameter – 3-1/4" Overall Height							
77-40-278	Soft rubber	Rigid	100	24	6.62	3.79	3.53
77-40-279	Soft rubber	Swivel	100	24	8.96	5.11	4.77
77-40-280	Soft rubber	Swivel w/ brake	100	24	10.06	5.74	5.36
77-40-281	Plastic	Rigid	175	24	6.62	3.79	3.53
77-40-282	Plastic	Swivel	175	24	8.96	5.11	4.77
1-1/4" Tread Width – 3" Wheel Diameter – 3-13/16" Overall Height							
77-40-284	Soft rubber	Rigid	125	18	9.28	5.30	4.95
77-40-285	Soft rubber	Swivel	125	18	12.78	7.30	6.81
77-40-286	Soft rubber	Swivel w/ brake	125	18	10.62	6.07	5.67
77-40-287	Plastic	Rigid	220	18	9.28	5.30	4.95
77-40-288	Plastic	Swivel	220	18	11.70	6.69	6.24
77-40-289	Non-marking	Rigid	225	18	11.90	6.80	6.35
77-40-290	Non-marking	Swivel	225	18	14.32	8.19	7.64
1-1/4" Tread Width – 4" Wheel Diameter – 5" Overall Height							
77-40-292	Soft rubber	Rigid	200	18	14.38	8.21	7.67
77-40-293	Soft rubber	Swivel	200	18	16.10	9.20	8.59
77-40-294	Soft rubber	Swivel w/ brake	200	18	18.70	10.69	9.97
77-40-295	Plastic	Rigid	225	18	14.70	8.40	7.84
77-40-296	Plastic	Swivel	225	18	16.42	9.39	8.76

Casters

Twin Wheel

For use on medical equipment, carts and furniture. Plastic construction. 2" wheel diameter. 2-5/8" overall height. 85-lb. capacity. Plate mounting. Black. 200 per case.



Product Code	Description	List	Each	Case
77-40-298	Swivel	\$1.22	\$0.77	\$0.69
77-40-299	Swivel with brake	1.82	1.14	1.01

Casters

Business Machine – Swivel

Low profile design with hardened raceway and double race construction. 2" wheel diameter. 2-1/8" overall height. 18 per case.



Product Code	Description	Capacity Lbs.	List	Each	Case
77-40-301	Hard rubber	200	\$12.68	\$7.24	\$6.76
77-40-302	Non-marking	160	19.10	10.91	10.19



Cabinet Legs – Adjustable

Como – Camar®

2" diameter with 1-1/8" adjustable foot. 600 lb. weight capacity per leg. 10 per case.

Product Code	Height In.	Finish	List	Each	Case
77-40-345	4	Flat Black	\$14.30	\$8.17	\$7.63
77-40-346	4	Chrome	17.60	10.06	9.39
77-40-347	4	Brushed Steel	20.22	11.55	10.78
77-40-348	6	Flat Black	15.02	8.58	8.01
77-40-349	6	Chrome	18.28	10.45	9.75
77-40-350	6	Brushed Steel	20.92	11.96	11.16



Stainless Steel Table Legs

Adjustable

Hex toe allows for easy height adjustment. 1-1/2" (38mm) adjustment. 1-5/8" (41mm) OD stainless steel tubing. 3-1/2" (89mm) square removable mounting plate. Mounting plate has (4) 5/16" (8mm) diameter holes on 2-5/8" (66mm) centers. Load rating 2000 lbs. (900kg) per leg. 25 per case.

Product Code	Description	List	Each	Case
77-40-430	4" Leg	\$16.16	\$8.75	\$8.29
77-40-431	6" Leg	18.51	9.98	9.49
77-40-432	Toe kick clip	2.77	1.69	1.42



Table Legs – Hamburg

Metal – Camar®

2-3/8" diameter with 1-1/8" adjustable foot. Set of 4; 5 sets per case. 660-lb weight capacity.

Product Code	Height In.	Finish	List	Each	Case
77-40-341	27-3/4	Brushed Steel	\$232.34	\$127.79	\$119.80
77-40-342	27-3/4	Chrome	227.84	125.31	117.48
77-40-351	27-3/4	Glossy black	212.66	116.97	109.64

Casters & Levelers

N



76-76-022



76-76-033



76-76-043



Cabinet Leg Assemblies

Black plastic construction. 200 per case.

No. 76-76-022. Assembled at pre-set height; wide adjustment range accommodates common plinth heights. Push-on design.

Product Code	Description	List	Each	Case
76-76-022	Adjustable leg, 92.5mm to 150mm H	\$0.95	\$0.79	\$0.68
76-76-033	Leg extension, 48mm W x 50mm H	0.77	0.63	0.54
76-76-043	Fixed foot, 76mm dia. x 19mm thick.	0.69	0.57	0.49



76-76-025



76-76-042

76-76-026

Cabinet Leg Top Fixes

Black plastic construction. 200 per case.

No. 76-76-025. Lipped design provides support for end panel. Requires use of foot with fox clip (not included).

No. 76-76-026. Allows quick fastening of socket.

Product Code	Description	List	Each	Case
76-76-025	Leg top, screw-on	\$1.04	\$0.86	\$0.74
76-76-042	Socket fix, screw-on	0.57	0.48	0.41
76-76-026	Rivet fix/skid	0.57	0.48	0.41



76-76-028

Plinth Clips

Attaches in any position; spring design eliminates need for drilling. Plastic construction. 200 per case.

Product Code	Description	Size mm	List	Each	Case
76-76-028	Knock-on	24	\$0.38	\$0.32	\$0.27
76-76-029	Screw-on	38	0.42	0.35	0.30



Furniture Levelers

Camar®

100 per case.



76-76-051

Furniture Levelers

Product Code	Description	Dimensions mm		Capacity Lbs.*	List	Each	Case
		H x Dia.					
76-76-051	Regular-duty leveler w/ threaded ABS insert	30 x 38		220	\$6.86	\$3.94	\$3.66
76-76-050	Heavy-duty concealed leveler	80 x 13.8		650	3.36	1.93	1.79

* Per leveler.

Accessories

Product Code	Description	List	Each
76-76-052	Aluminum mounting template for 76-76-050	\$228.40	\$121.81



76-76-050



76-76-004

Furniture Glides Adjustable

Product Code	Description	Base Diameter In.	Length In.	Thread Size	Case Qty.	List	Each	Case
76-76-004	Chrome cover shell; white plastic base	1	1	1/4"-20	1000	\$0.90	\$0.58	\$0.53



76-76-007

Accessories

Product Code	Description	Length In.	Thread Size	Finish	Case Qty.	List	Each	Case
76-76-007	T-nut	1	1/4"-20	Zinc	5000	\$0.14	\$0.13	\$0.09



77-76-010

Mounting Brackets Furniture Glide

Use with adjustable glide with 3/8" thread. Zinc plated. 500 per case.

Product Code	Description	Dimensions In. W x H	List	Each	Case
76-76-010	U Bracket	1-1/2 x 1-5/8	\$1.17	\$0.73	\$0.67
76-76-013	Corner	3-7/8 x 11/16	0.92	0.64	0.54



77-76-013

Cabinet Skid Plates Staple Mount

Nylon construction. Features 1/4" thick base. Measures 3" x 3". White. 100 per case.



Product Code	Description	List	Each	Case
76-76-055	Cabinet skid plate	\$0.82	\$0.49	\$0.43

Furniture Glides Nail

Nylon construction. Features 6mm thick base and 3/4" long nail. Sold in full boxes only.



Product Code	Glide Diameter In.	UOM	Case Qty.	List	Each	Case
76-76-034	1/2	100	500	\$4.80	\$3.36	\$2.80
76-76-035	1/2	1000	5000	40.06	28.04	23.37
76-76-036	5/8	100	500	5.34	3.74	3.12
76-76-037	5/8	1000	5000	44.46	31.12	25.94
76-76-038	3/4	100	500	6.26	4.38	3.65
76-76-039	3/4	1000	5000	52.06	36.44	30.37
76-76-040	7/8	100	500	6.72	4.70	3.92
76-76-041	7/8	1000	5000	56.02	39.22	32.69



Abrasive Discs

Mirka Abralon Foam Grip Discs

Mirka Abralon® is a unique multifunctional patented sanding material developed for the flexible sanding of both smooth and profiled surfaces. It creates a smooth sanding pattern on angled surfaces and edges, while minimizing the risk of pressure marks. The flexible weave allows water and air to pass freely, making the product suitable for both dry and wet sanding, either by machine or hand. Also used for finishing and pre-polishing gelcoat, SMC, glass reinforced plastic (GRP), and lacquers.



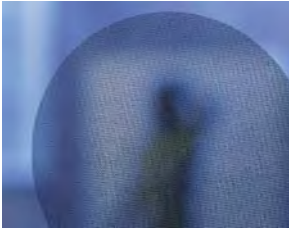
Product Code	Dimensions	Grade	Box Qty.	Boxes Per Case	List	Each	Box
Abralon® 6" Foam Grip Disc							
75-60-617	6"	360	20	5	\$6.30	\$3.58	\$3.35
75-60-618	6"	500	20	5	6.30	3.58	3.35
75-60-619	6"	1000	20	5	6.30	3.58	3.35
75-60-620	6"	2000	20	5	6.30	3.58	3.35
75-60-623	6"	Assort.	12	2	103.10	58.66	54.88
Abralon® 12" Foam Grip Disc							
75-60-631	12"	180	5	5	23.18	13.18	12.33
75-60-632	12"	360	5	5	23.18	13.18	12.33
75-60-633	12"	500	5	5	23.18	13.18	12.33
75-60-634	12"	1000	5	5	23.18	13.18	12.33

Assorted box includes: 2 each 180, 360, 500, 1000, 2000, 4000 grit discs.

Abrasive Discs

Mirka Abranet Mesh Grip Discs

Provides dust-free sanding. Contains thousands of small holes, making it possible to effectively vacuum away dust and other particles without clogging the disc surface. Results in a uniform sanding pattern and a smooth surface. For use with sanding putty, primers, lacquers, and composite materials. 50 per box. 10 boxes per case.



Product Code	Grade	List	1-9	10+
Abranet® 5" Mesh Grip Disc				
75-60-654	80	\$72.56	\$41.28	\$38.62
75-60-655	100	63.64	36.21	33.88
75-60-656	120	63.64	36.21	33.88
75-60-657	150	63.64	36.21	33.88
75-60-658	180	63.64	36.21	33.88
75-60-659	220	63.64	36.21	33.88
75-60-660	240	63.64	36.21	33.88
75-60-661	320	63.64	36.21	33.88
75-60-662	400	63.64	36.21	33.87
75-60-664	600	63.64	36.21	33.87
75-60-667*	Assorted	49.64	28.25	26.42
Abranet® 6" Mesh Grip Disc				
75-60-669	80	87.82	49.97	46.74
75-60-670	100	76.38	43.45	40.65
75-60-671	120	76.38	43.45	40.65
75-60-672	150	76.38	43.45	40.65
75-60-673	180	76.38	43.45	40.65
75-60-674	220	76.38	43.45	40.65
75-60-675	240	76.38	43.45	40.65
75-60-676	320	76.38	43.45	40.65
75-60-677	400	76.38	43.45	40.65
75-60-681*	Assorted	59.82	34.03	31.84
Abranet® 8" Mesh Grip Disc				
75-60-684	120	152.10	86.54	80.96
75-60-685	180	152.10	86.54	80.96
75-60-686	240	152.10	86.54	80.96
Abranet® 11" Mesh Grip Disc				
75-60-693	120	5.04	2.87	2.69
75-60-694	180	5.04	2.87	2.69
75-60-695	240	5.04	2.87	2.69
75-60-696	320	5.04	2.87	2.69

*Assorted box includes: 5 each 80, 120, 180, 240, 320, 400, 600 grit discs.



Microfinishing Film

Micron – 366L/268L

Precision, micron-graded, resin-bonded, polyester film backing. Aggressive cut with uniform finish. Anti-loading Free-Cut™ coating provides greater efficiency and longer product life. Use on plastic, fiberglass, wood, metal, solid-surface composites.

Product Code	Grade Microns	Box Qty.	Case Qty.	List	Box	Case
Hookit™ – 5" Diameter – No Holes						
75-51-057	100	50	10	\$52.13	\$38.22	\$35.84
75-51-061	80	50	10	52.13	38.22	35.84
75-51-065	60	50	10	52.13	38.22	35.84
75-51-069	40	50	10	52.13	38.22	35.84
75-51-073	30	50	10	52.13	38.22	35.84
Hookit™ – 5" Diameter – 5 Holes						
75-51-085	100	50	10	61.43	45.05	42.23
75-51-089	80	50	10	61.43	45.05	42.23
75-51-093	60	50	10	61.43	45.05	42.23
75-51-097	40	50	10	61.43	45.05	42.23
75-51-101	30	50	10			
Hookit™ – 6" Diameter – No Holes						
75-51-169	100	50	10	81.90	60.06	56.31
75-51-173	80	50	10	81.90	60.06	56.31
75-51-177	60	50	10	81.90	60.06	56.31
75-51-185	30	50	10	81.90	60.06	56.31
Hookit™ – 6" Diameter – 6 Holes						
75-51-197	100	50	10	81.90	60.06	56.31
75-51-201	80	50	10	81.90	60.06	56.31
75-51-205	60	50	10	81.90	60.06	56.31
75-51-213	30	50	10	81.90	60.06	56.31
Hookit™ – 6" Diameter – 8 Holes – Fein Pattern						
75-51-225	100	50	10	81.90	60.06	56.31
75-51-233	60	50	10	81.90	60.06	56.31
75-51-241	30	50	10	81.90	60.06	56.31
75-51-245	15	50	10	81.90	60.06	56.31
Hookit™ – 6" Diameter – 8 Holes – Festool Pattern						
75-51-482	100	50	10	74.46	54.60	51.19
75-51-483	80	50	10	74.46	54.60	51.19
75-51-484	60	50	10	74.46	54.60	51.19
75-51-486	30	50	10	74.46	54.60	51.19
Freecut PSA – 5" Diameter – No Holes						
75-51-001	100	50	10	39.53	28.98	27.17
75-51-005	80	50	10	39.53	28.98	27.17
75-51-009	60	50	10	39.53	28.98	27.17
75-51-013	40	50	10	39.53	28.98	27.17
75-51-017	30	50	10	39.53	28.98	27.17
75-51-021	15	50	10	39.53	28.98	27.17
Freecut PSA – 5" Diameter – 5 Holes						
75-51-029	100	50	10	45.92	33.67	31.57
75-51-037	60	50	10	45.92	33.67	31.57
75-51-049	15	50	10	45.92	33.67	31.57
Freecut PSA – 6" Diameter – No Holes						
75-51-113	100	50	10	59.00	43.26	40.56
75-51-117	80	50	10	59.00	43.26	40.56
75-51-121	60	50	10	59.00	43.26	40.56





Clean & Finish Discs

Scotch-Brite™

Flexible web for finishing, blending, and polishing. Conformability allows access to hard-to-reach areas. May be mounted on a straight shaft tool or run on a bench motor. Abrasive mineral: Very fine grade aluminum oxide. MOS: 1900 RPM. 5 discs per box.

Product Code	Grade	Color	Diameter In.	Boxes/Case	List	Box	Case
75-69-052	Very fine	Maroon	11-1/4	5	\$38.66	\$28.53	\$26.63
75-69-053	Ultra fine	Gray	11-1/4	5	38.66	28.53	26.63
75-69-054	Light-duty	White	11-1/4	5	38.66	28.53	26.63
75-69-055	Very fine	Maroon	5	20	10.44	7.70	7.19
75-69-056	Ultra fine	Gray	5	20	10.44	7.70	7.19
75-69-058	Very fine	Maroon	6	20	13.91	10.26	9.58
75-69-059	Ultra fine	Gray	6	20	13.91	10.26	9.58



Abrasive Discs

Film – Trizact™ – 268XA

For glass defect repair, Meganite and acrylic solid surface finishing. Precisely shaped pyramids wear away continually exposing fresh abrasive. Few processing steps, higher gloss level, effective surface leveling. Requires little water, easy touchup.

Product Code	Grade	Color	Case Qty.	List	Each	Case
PSA – 5" Diameter – No Holes						
75-51-253	A35	Green	4 Rolls of 25	\$76.38	\$56.02	\$52.52
75-51-257	A10	Blue	4 Rolls of 25	76.38	56.02	52.52
75-51-261	A5	Orange	4 Rolls of 25	76.38	56.02	52.52
75-51-265*	None	White	4 Rolls of 25	132.02	96.81	90.76
PSA – 6" Diameter – No Holes						
75-51-269	A35	Green	100	4.26	3.12	2.93
75-51-273	A10	Blue	100	4.26	3.12	2.93
75-51-277	A5	Orange	100	4.26	3.12	2.93
75-51-281*	None	White	100	7.38	5.41	5.07

* 568XA. For damp final sanding of acrylic surfaces.



Tack Cloths

Wood Refinishers'

Removes dust, dirt, lint and other particles that settle on wood surfaces. Use it to prepare surfaces before applying the first coat of stain, finish or sealer and again between coats to obtain a super-smooth finish. White. 48 per case.

Product Code	Dimensions In.	List	Each	Case
75-80-002	17 x 36	\$1.70	\$1.26	\$1.17

Conversion Pads



Product Code	Description	Diameter In.	Case Qty.	List	Each	Case
75-51-415	Hookit II to Scotch-Brite	5	5	\$10.40	\$8.44	\$7.88
75-51-413	Hookit to Scotch-Brite	5	5	10.25	7.56	7.05
75-51-414	Hookit to Scotch-Brite	6	5	12.98	9.57	8.93
75-51-412	Hookit to Hookit II	6	10	9.12	6.51	6.08



Random Orbit Sanders

For sanding, polishing and finishing solid surfaces and woodwork. Features heavy-duty aluminum housing and 110V/200V ball bearing capacitor motor. 2.3A @ 110V, 1.2A @ 220V, 1700 RPM @ 110V. Includes 3M Hookit™ fastening system for use with Micron Paper, Trizact™ and Scotch-Brite™.



Sanders

Product Code	Diameter In.	List	Each
75-41-095	11	\$528.00	\$402.29

Accessories

Product Code	Description	List	Each
75-41-098	Dust collection shroud	\$274.23	\$208.93
75-41-093	11" drive pad Hookit	96.08	51.48

Perfect Seam

Routing Templates

Perfect Edge



Product Code	Description	List	Each
Phenolic			
75-43-166	Radius 1.5"	\$131.90	\$69.83
75-43-169	Radius 2"	131.90	69.83
75-43-172	Radius 3"	131.90	69.83
75-43-175	Radius 4"	131.90	69.83
75-43-178	Radius 6"	131.90	69.83
75-43-181	45°	131.90	69.83
75-43-184	90°	131.90	69.83
75-43-187	Joining plate	55.10	29.17
Perfect Edge – Aluminum			
75-43-190	Straight aluminum 102	311.90	165.12
75-43-196	Straight aluminum 31	134.30	71.10
75-43-199†	Aluminum set	501.40	364.30

* Set includes: 1.5" radius corner; joining plate and 31", 48" and 96" straight edges.

† Set includes 31", 48" and 102" straight edges.



Solid Surface

For cutting plastic laminate, Plexiglas® and solid surface materials. Provides swirl-free cut. Features 0° hook angle with modified triple chip grind.



Product Code	Mfr. No.	Diameter In.	No. Teeth	Kerf In.	Bore In.	List	Each
75-01-036	610721	10	72	.126	1	\$274.28	\$146.60
75-07-104	612841	12	84	.126	1	356.88	190.75

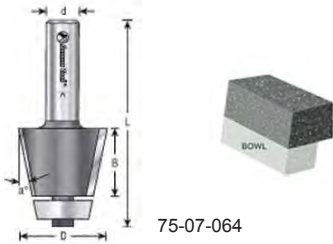
Solid Surfacing



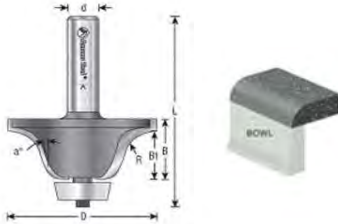
Router Bits

Solid Surface – Undermount Bowl – Ultra Glide™

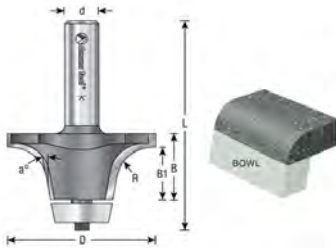
Two-flute design with ball bearing guide. 1/2" shank. For preparation/finish of counter-tops in undermount sink applications.



75-07-064



75-07-065 & 75-07-066



75-07-067 & 75-07-068

Product Code	Mfr. No.	Desc.	Diameter In.	Cutting Angle °	Radius In.	Thick. In.	Flute		List	Each
							Length In.	OAL In.		
75-07-064	57122	Bevel	1-1/4	11.5	—	1/2 & 3/4	15/16	3	\$211.58	\$113.08
75-07-065	57124	Ogee	2-1/8	15	1/2	1/2	1	3	232.76	124.41
75-07-067	57128	Round-over	2-1/8	18	1/2	1/2	1	3	229.86	122.86
75-07-068	57130	Round-over	2-1/4	18	9/16	3/4	1-1/4	3-1/4	241.48	129.06

Router Bits

Solid Surface – Bowl & Sink Trim – Ultra Glide™

Two-flute design with ball bearing guide. 1/2" shank.

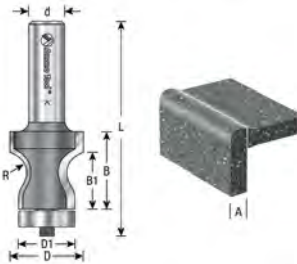


Product Code	Mfr. No.	Desc.	Diameter In.	Flute Length In.	Cutting Angle °	OAL In.	List	Each
75-07-078	57153	1/16" overhang	3/4	1	10	3-1/4	\$75.42	\$40.31
75-07-079	57154	Flush trim	3/4	1	0	3-1/2	75.42	40.31
75-08-480	57155	1/8" overhang	49/64	1-1/2	5	3-1/2	99.94	53.42

Router Bits

No-Drip Counter-Top

Two-flute design with ball bearing guide. For use with handheld router on kitchen and vanity counter-tops. 5/16" radius. 1/2" shank. 1" diameter.



Product Code	Mfr. No.	Thickness In.	Flute Length In.	OAL In.	List	Each
75-07-063	57118	1/2	7/8	3	\$145.96	\$78.01
75-01-034	57120	3/4	1-1/8	3-1/4	159.32	85.15

Router Bits

Under-Cut Round Over

Two-flute design with upper ball bearing guide. For rounding lower edge of counter. 1/2" shank.



Product Code	Mfr. No.	Diameter In.	Thickness In.	Radius In.	Flute Length In.	OAL In.	List	Each
75-07-070	57138	2-1/8	1	1/2	3/4	2-7/8	\$257.74	\$137.75
75-07-072	57140	2-5/8	1-1/2	3/4	1	3	276.32	147.69



Router Bits

Straight Plunge

Cuts dados and grooves on plywood, flakeboard and other sheet material.

Product Code	Diameter In.	Cutting Depth In.	Length In.	List	Each
1/4" Shank Diameter					
75-09-100	1/16	3/16	1-3/4	\$24.38	\$13.06
75-09-102	1/8	7/16	2	17.18	9.20
75-09-104	3/16	3/4	2-5/8	18.38	9.84
75-09-106	1/4	3/4	2	17.33	9.28
75-09-108	1/4	1	2-1/4	18.00	9.64
75-09-110	5/16	1	2-1/4	18.68	10.00
75-09-112	3/8	1	2-9/32	19.80	10.61
75-09-148	3/8	1/2	2-1/8	20.63	11.05
75-09-150	3/8	1	2-5/8	20.93	11.21
75-09-114	1/2	1	2-1/8	21.15	11.33
75-09-162	1/2	1	2-5/8	27.83	14.91
75-09-152	1/2	1/2	2-1/4	20.10	10.77
75-09-154	1/2	1	2-5/8	20.55	11.01
75-09-116	3/4	3/4	2	24.45	13.10
1/2" Shank Diameter					
75-09-118	1/4	3/4	2-1/2	22.43	12.01
75-09-120	3/8	1	2-3/4	20.85	11.17
75-09-122	1/2	1-1/4	2-7/8	20.93	11.21
75-09-124	1/2	1-1/2	3-3/16	22.20	11.89
75-09-126	1/2	2	4-1/4	28.65	15.35
75-09-156	1/2	1	3-1/4	22.13	11.85
75-09-158	1/2	1-1/2	3-7/8	33.75	18.08
75-09-160	1/2	2	4-1/4	36.68	19.65
75-09-128	5/8	1-1/4	2-7/8	26.10	13.98
75-09-130	3/4	1-1/4	2-7/8	27.68	14.83



Router Bits

Mortising Bits

For cutting shallow mortises on hinges and locksets. 1/4" shank. 3/4" cutting depth. 2" OAL.

Product Code	Diameter In.	List	Each
75-09-132	1/2	\$19.13	\$10.25
75-09-134	3/4	23.55	12.62

Router Bits

Flush Trim Plunge

For use in handheld and table-mounted routers. Features ball bearing pilot.



Product Code	Diameter In.	Cutting Depth In.	Length In.	Shank In.	List	Each
1/4" Shank Diameter						
75-09-136	1/2	3/8	2-1/4	1/4	\$35.85	\$19.21
75-09-138	1/2	1/4	1-3/4	1/4	33.53	17.96
75-09-140	1/2	1	2-1/2	1/4	32.48	17.40
75-09-142	1/2	1-1/4	2-3/4	1/4	43.58	23.34
1/2" Shank Diameter						
75-09-144	3/4	1	2-13/16	1/2	50.10	26.84
75-09-146	3/4	1-3/4	3-3/4	1/2	66.98	35.88



Router Bits

Bevel Trim

Carbide-tipped bit for use on laminate. 1/4" shank. 1/4" cutting depth. 2-5/64" OAL.

Product Code	Diameter In.	Cutting Angle °	List	Each
75-09-164	23/32	15	\$24.83	\$13.30
75-09-166	23/32	25	25.35	13.58



Router Bits

V Groove

For cutting decorative V grooves and lettering on signs. For use with handheld, table-mounted and CNC routers. 1/2" diameter. 1/4" shank. 1-3/4" OAL.

Product Code	Cutting Depth In.	Cutting Angle °	List	Each
75-09-168	5/8	60	\$36.38	\$19.49
75-09-170	1/2	90	32.33	17.32



Router Bits

Core Box

For cutting half-round grooves for fluted moldings, columns, millwork, and signs. For use with handheld, table-mounted and CNC routers. 1/2" diameter. 1/4" shank. 1-3/4" OAL.

Product Code	Diameter In.	Cutting Depth In.	Length In.	Radius In.	List	Each
75-09-172	1/4	1/4	1-5/8	1/8	\$27.15	\$14.54
75-09-174	3/8	1/4	1-1/2	3/16	30.75	16.47
75-09-176	1/2	3/8	1-9/16	1/4	31.65	16.96
75-09-178	3/4	7/16	1-3/4	3/8	33.75	18.08



Router Bits

Chamfer

Chamfers or bevels decorative edges or forms edge miter joints. 45° cutting angle.

Product Code	Diameter In.	Cutting Depth In.	Length In.	Shank In.	List	Each
75-09-180	1-1/4	17/32	1-61/64	1/4	\$36.38	\$19.49
75-09-182	1-1/4	17/32	2-3/8	1/2	37.58	20.13
75-09-184	2	3/4	2-25/32	1/2	112.95	60.51



Router Bits

Corner Round & Beading

For rounding edges to a specific radius.

Product Code	Diameter In.	Cutting Depth In.	Length In.	Radius In.	Shank In.	List	Each
75-09-186	5/8	15/64	1-7/8	1/16	1/4	\$39.90	\$21.38
75-09-188	3/4	3/8	2	1/8	1/4	38.33	20.53
75-09-190	1	1/2	2-1/8	1/4	1/4	38.85	20.81
75-09-192	1	1/2	2-7/16	1/4	1/2	39.53	21.17
75-09-194	1-1/8	1/2	2-3/16	5/16	1/4	41.55	22.26
75-09-196	1-1/4	5/8	2-5/16	3/8	1/4	40.65	21.78
75-09-198	1-1/4	5/8	2-9/16	3/8	1/2	42.08	22.54
75-09-200	1-1/2	3/4	2-23/64	1/2	1/4	44.78	23.99
75-09-202	1-1/2	3/4	2-5/8	1/2	1/2	46.13	24.71
75-09-204	2	1	2-29/32	3/4	1/2	73.05	39.13



Router Bits

Cove

For detailing edges of casework, doors, drawers, posts and columns. For use in handheld or table-mounted routers. 1/4" shank.

Product Code	Diameter In.	Cutting Depth In.	Length In.	Radius In.	List	Each
75-09-206	7/8	1/2	2	1/4	\$42.90	\$22.98
75-09-208	1-1/8	1/2	2-1/16	3/8	43.28	23.18
75-09-210	1-3/8	5/8	2-1/4	1/2	48.45	25.96



Router Bits

Classical Bead & Cove

1/4" shank.

Product Code	Diameter In.	Cutting Depth In.	Length In.	Radius In.	List	Each
75-09-212	1-1/4	1/2	2	13/64 & 5/16	\$58.28	\$31.22
75-09-214	1-1/2	5/8	2-1/8	15/64 & 7/32	75.15	40.26

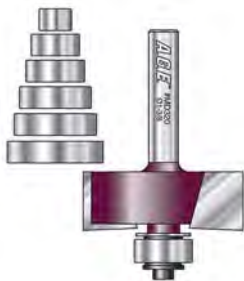


Router Bits

Roman Ogee

For solid wood surface applications.

Product Code	Diameter In.	Cutting Depth In.	Length In.	Radius In.	Shank In.	List	Each
75-09-216	1	15/32	2-5/32	5/32	1/4	\$46.43	\$24.87
75-09-218	1-3/8	21/32	2-1/4	1/4	1/4	49.80	26.68
75-09-220	1-3/8	7/8	2-5/8	1/4	1/2	52.43	28.08



Router Bits

Multi-Rabbet

Provides cutting in 1/16" increments. Includes (6) bearings. 13/8" diameter. 1/4" shank.

Product Code	Length In.	List	Each
75-09-222	2-1/8	\$50.33	\$26.96
75-09-224	2-3/8	50.33	26.96



Router Bits

Rabbeting

For cutting 3/8" wide and up to 1/2" deep. 1-1/4" diameter.

Product Code	Length In.	Shank In.	List	Each
75-09-226	2-3/64	1/4	\$36.98	\$19.81
75-09-228	2-3/8	1/2	39.15	20.97



Router Bits

Dovetail

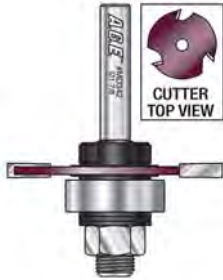
For cutting half-blind and through dovetails.



Product Code	Diameter In.	Cutting Depth In.	Length In.	Cutting Angle °	Shank In.	List	Each
75-09-230	1/2	1/2	1-3/4	14	1/4	\$22.58	\$12.09

Slotting Cutter Assemblies

1/4" shank. 1-7/8" diameter. 2-5/16" OAL.



Product Code	Cutting Depth In.	List	Each
75-09-232	1/16	\$30.15	\$16.15
75-09-234	1/8	32.70	17.52
75-09-236	1/4	33.68	18.04

Router Bits

Keyhole

For cutting keyhole slots in plaques, picture frames and other wall hanging items.

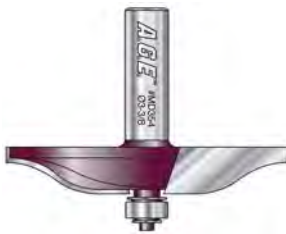


Product Code	Diameter In.	Cutting Depth In.	Length In.	Shank In.	List	Each
75-09-238	3/8	3/8	1-1/2	1/4	\$26.55	\$14.22

Router Bits

Raised Panel

1/2" shank. 3-3/8" diameter. 2-1/2" Length.

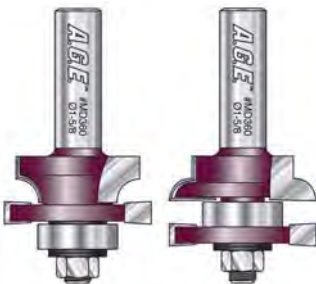


Product Code	Cutting Depth In.	Radius In.	Cutting Angle °	List	Each
75-09-240	9/16	7/8	—	\$131.10	\$70.23
75-09-242	1/2	—	14	133.28	71.40

Router Bit Sets

Stile & Rail

For use on cabinet doors and frame-and-panel assemblies. Features profile, groove or rabbet cutters with ball-bearing guide. 1-5/8" diameter. 1/2" shank. 1" cutting depth. 2-29/32" OAL. Includes (2) pieces.



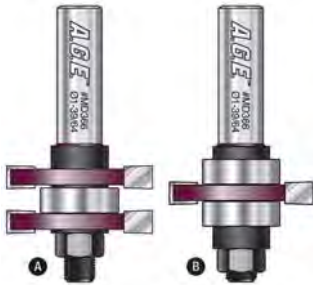
Product Code	Description	List	Each
75-09-244	Concave	\$147.83	\$79.19
75-09-246	Ogee	147.83	79.19



Router Bit Assemblies

Tongue & Groove

For cutting tongue-and-groove joints on stock sizes 3/8" to 1-1/8" thick. Includes arbor with integral shank, (2) removable slotting cutters and (2) bearings.

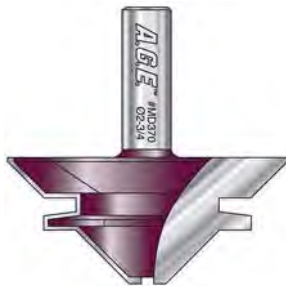


Product Code	Diameter in.	Cutting Depth In.	Length In.	Shank In.	List	Each
75-09-248	1-39/64	3/4	3	1/2	\$85.20	\$45.64

Router Bits

Lock Miter – 45°

Not recommended for use in pin router or router table.



Product Code	Diameter in.	Cutting Depth In.	Length In.	Shank In.	Cutting Angle °	List	Each
75-09-250	2-3/4	1-1/4	2-3/4	1/2	45	\$166.50	\$89.20

Router Bits

Reversible Window Sash

Designed to cut window sash, glass door parts, rails, stiles, mullions and muntins on stock between 1-1/8" and 1-3/4" thick. Includes ogee profile cutter, rabbet cutter, bearing, 1/2" shank arbor, spacers, shims and washers.

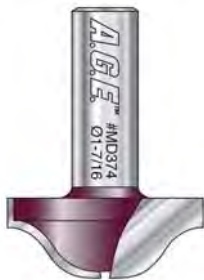


Product Code	Diameter In.	Cutting Depth In.	Length In.	Radius In.	Shank In.	List	Each
75-09-252	1-3/8	1-13/16	3-3/4	1/8	1/2	\$197.55	\$105.83

Router Bits

Base Molding

1/2" Shank.



Product Code	Diameter In.	Cutting Depth In.	Length In.	Radius In.	List	Each
75-09-254	1-7/16	19/32	2	5/16	\$96.75	\$51.83

Expect more from us.

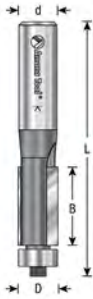
Call AETNA First!



Router Bits

Flush Trim

Ball bearing guide.



Product Code	Mfr. No.	Diameter In.	Flute Length In.	Shank Diameter In.	OAL In.	List	Each
2 Flute							
75-07-015	47090	1/4	1/2	1/4	2-1/4	\$46.82	\$25.02
75-07-016	47106	1/2	1/2	1/4	2-1/4	31.22	16.68
75-07-098	47108	1/2	1	1/2	3-1/4	34.34	18.35
75-07-775	47092	1/4	1	1/4	2-1/2	48.70	26.03
75-07-777	47100	3/8	1	1/4	2-5/8	32.58	17.42
75-07-780	47102	3/8	1/2	1/4	2-1/8	32.00	17.11
75-07-782	47104	1/2	1	1/4	2-5/8	31.86	17.03
75-07-790	47110	1/2	1/2	1/2	2-3/4	36.44	19.47
75-07-793	47112	1/2	1	3/8	2-7/8	40.58	21.69
75-07-800	47124	1/2	1-1/2	1/2	3-7/8	52.40	28.01
75-07-802	47126	1/2	2	1/2	4-1/4	57.04	30.49
75-07-806	47140	3/4	1	1/2	3-1/4	49.94	26.69
3 Flute							
75-07-795	47114	1/2	1	1/4	2-5/8	43.18	23.08
75-07-797	47116	1/2	1/2	1/4	2	42.90	22.93
75-07-017	47118	1/2	1	1/2	3-1/4	47.18	25.22
75-07-804	47128	1/2	1-1/2	1/2	3-7/8	69.54	37.16

Router Bits

Dynabit™

Two-flute design with ball bearing guide. Features spiral-like twist to cutting edge for use on melamine and other difficult materials.

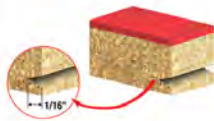
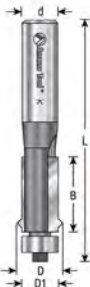


Product Code	Mfr. No.	Diameter In.	Flute Length In.	Shank Diameter In.	OAL In.	Type	List	Each
75-07-081	47105	1/2	1	1/4	2-5/8	Down-shear	\$35.78	\$19.13
75-07-082	47109	1/2	1	1/2	3	Down-shear	36.72	19.63
75-07-813	47180	5/8	5/8	1/4	2	Flush Helix	45.08	24.09
75-07-814	47182	3/4	5/8	1/4	2-1/4	Flush Helix	47.82	25.56
75-07-815	47184	3/4	3/8	1/4	2	15° Bevel	49.36	26.38

Router Bits

Flush Trim – V-Groove

Two-flute design with ball bearing guide. Double application in one pass. 5/8" diameter; 1" flute length.

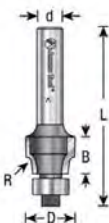


Product Code	Mfr. No.	Shank Diameter In.	OAL In.	List	Each
75-07-811	47160	1/4	2-1/2	\$57.04	\$30.49
75-07-812	47162	1/2	3	61.26	32.74

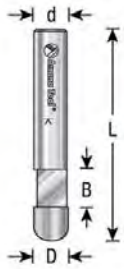
Router Bits

No-File™

Two-flute design with ball bearing guide. Provides smooth cuts on laminates without hand filing. Flush trims and breaks sharp edges in one pass. 1/2" diameter; 3/8" flute length.



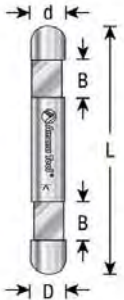
Product Code	Mfr. No.	Shank Diameter In.	OAL In.	List	Each
75-07-022	47150	1/4	1-7/8	\$52.54	\$28.09
75-07-023	47152	1/2	2-1/8	53.78	28.75



Trim Bits
Panel Pilot

Single flute, solid carbide design.

Product Code	Mfr. No.	Flute Length In.	Shank Diameter In.	OAL In.	Cut Type	List	Each
75-07-056	51200	1/4	1/4	1-1/2	Flush	\$13.64	\$7.29
75-07-057	51202	1/4	1/4	1-1/2	7° Bevel	13.58	7.26



Trim Bits
Double End Panel Pilot

Solid carbide construction. Single flute design. Provides 2 cutting sides. 1/4" diameter. 1/4" shank. 1/4" flute length. 2" length.

Product Code	Mfr. No.	Cut Type	List	Each
75-08-902	51201	Flush	\$27.66	\$14.78
75-08-903	51203	7° Bevel	29.82	15.94



Trim Bits

Self guide. Solid carbide construction. Hand polished. Leaves no marks on material. Shank dia. 1/4". 25 per case.

Product Code	Description	List	Each	Case
75-18-150	Flush trim – 1/4" cut dia.	\$15.66	\$9.00	\$8.38
75-18-151	Bevel trim – 7°	18.84	10.82	10.07

Router Bits
Straight Plunge

Use a two-flute bit where fine finish is paramount. Two flutes balance the bit, eliminating vibration that degrades the cut finish. Two cuts per revolution yield a smooth surface, but feed rate is slightly reduced.



Product Code	Mfr. No.	Diameter In.	Flute Length In.	OAL In.	List	Each
75-07-366	45190	1/16	3/16	1-5/8	\$37.88	\$20.25
75-07-368	45200	1/8	7/16	2	26.64	14.24
75-07-371	45201	5/32	7/16	2	30.20	16.14
75-07-372	45202	3/16	7/16	2	28.60	15.28
75-07-376	45206	7/32	3/4	2	32.80	17.54
75-07-377	45208	1/4	3/4	2	26.92	14.39
75-07-379	45210	1/4	1	2-1/4	27.80	14.86
75-07-381	45211	1/4	1	2-7/8	32.52	17.38
75-07-383	45212	9/32	1	2-1/4	30.84	16.49
75-07-385	45214	5/16	1	2-1/4	29.04	15.52
75-07-388	45216	3/8	3/4	2	29.10	15.56
75-07-390	45218	3/8	1	2-1/4	30.70	16.41
75-07-393	45220	3/8	1-1/4	2-1/2	36.00	19.24
75-07-395	45222	7/16	1	2-1/8	34.84	18.62
75-07-398	45224	1/2	3/4	1-3/4	31.00	16.56
75-07-400	45226	1/2	1	2-1/8	32.80	17.54
75-07-403	45228	5/8	3/4	2	34.40	18.39
75-07-406	45230	3/4	3/4	2	37.96	20.29



Router Bits

Straight Plunge

Two flute design allows for greater balance and fine finish. 1/2" shank.



Product Code	Mfr. No.	Diameter In.	Flute Length In.	OAL In.	List	Each
75-07-434	45408	1/4	3/4	2-1/2	\$34.84	\$18.62
75-07-443	45414	3/8	1	2-3/4	32.38	17.30
75-07-451	45418	1/2	1	2-5/8	32.38	17.30
75-07-457	45422	1/2	1-1/2	3-1/8	34.40	18.39
75-07-463	45426	1/2	2	4-1/4	44.56	23.82
75-07-467	45427	1/2	2-1/2	4-1/2	61.26	32.74
75-07-488	45445	23/32	1-1/4	2-7/8	55.88	29.87
75-07-492	45448	1	1-1/4	2-7/8	51.74	27.66

Router Bits

Straight Plunge

Two flute design allows for greater balance and fine finish. 3/8" shank.



Product Code	Mfr. No.	Diameter In.	Flute Length In.	OAL In.	List	Each
75-07-430	45400	3/8	1-1/4	2-3/4	\$36.50	\$19.51
75-07-432	45404	3/8	1-1/4	3-3/8	36.50	19.51

Router Bits

Flush Trim Plunge

Two flute design. For template and pattern cutting on top of workpiece. Ball bearing guide rides against template for exact duplication.

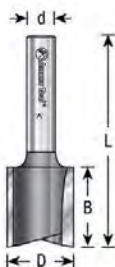


Product Code	Mfr. No.	Diameter In.	Flute Length In.	Shank Diameter In.	OAL In.	List	Each
75-08-907	45487	1/2	1/2	1/4	2-1/2	\$55.38	\$29.60
75-08-908	45491	1/2	3/4	1/4	2-1/4	44.64	23.86
75-07-008	45460	1/2	1	1/4	2-1/2	50.44	26.96
75-07-507	45460-S	1/2	1/4	1/4	1-5/8	51.96	27.78
75-07-508	45461	1/2	1-1/4	1/4	2-3/4	67.58	36.12
75-07-009	45462	5/8	1	1/4	2-3/4	52.40	28.01
75-07-011	45464	3/4	1	1/4	2-1/2	55.30	29.56
75-07-010	45463	3/4	1	1/2	3	77.88	41.62
75-07-099	45465	3/4	1-3/4	1/2	3-3/4	104.00	55.59
75-07-512	45466	1	1	3/8	2-7/8	80.92	43.25
75-07-085	45467	1	1-3/4	1/2	3-3/4	118.16	63.16
75-07-012	45468	1-1/8	1-1/2	1/2	3-1/2	116.34	62.18

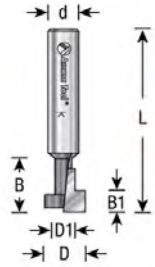
Router Bits

Mortising

For cutting shallow mortises for hinges and locksets. Two flute design allows for clean cuts with crisp edges and fine finish. 3/4" Flute length.



Product Code	Mfr. No.	Diameter In.	Shank Diameter In.	OAL In.	List	Each
75-07-522	45500	1/2	1/4	2	\$29.68	\$15.87
75-07-524	45502	5/8	1/4	2	34.40	18.39
75-07-525	45504	3/4	1/4	2	36.50	19.51
75-07-527	45505	1-1/4	1/2	2-1/8	59.96	32.04

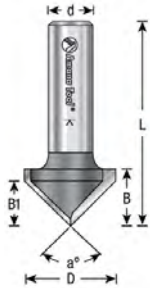


Router Bits

Keyhole

Single flute plunge-cutting design for forming keyhole slots in plaques, picture frames and wall-hangings. For use in handheld plunge router. 1/4" shank diameter. 1-1/2" length. 3/8" flute length.

Product Code	Mfr. No.	Diameter In.	List	Each
75-07-554	45650	3/8	\$41.16	\$22.00
75-07-556	45652	1/2	45.22	24.17



Router Bits

V-Groove

Two flute design for producing decorative V-grooves.

Product Code	Mfr. No.	Diameter In.	Flute Length In.	Shank Diameter In.	OAL In.	List	Each
60° Groove Angle							
75-07-569	45705	1/2	5/8	1/4	1-3/4	\$56.54	\$30.22
90° Groove Angle							
75-07-564	45700	3/8	7/16	1/4	1-5/8	45.08	24.09
75-07-567	45704	1/2	1/2	1/4	1-5/8	50.16	26.81
75-07-570	45708	1/2	1/2	1/2	2-1/8	55.46	29.64
75-07-573	45714	3/4	5/8	1/4	1-3/4	82.60	44.15
75-07-577	45722	1	5/8	1/4	1-7/8	106.48	56.91
75-07-578	45724	1	5/8	1/2	2-1/4	109.08	58.31
75-07-580	45726	1-1/4	3/4	1/2	2-1/2	117.30	62.69
75-07-582	45728	1-1/2	1	1/2	2-3/4	126.58	67.66



75-07-594

Router Bits

Core Box and V-Groove

For template and pattern routing. Features ball bearing guide.

Product Code	Mfr. No.	Diameter In.	Flute Length In.	Shank Diameter In.	OAL In.	Type	List	Each
75-07-594	45750	1/2	1/2	1/4	2	V-Groove	\$70.12	\$37.47
75-07-667	45950	1/2	3/8	1/4	2	Core Box	68.22	36.47



75-07-667



Router Bits

Solid Surface Bit – Cove/Backsplash – Ultra Glide™

Two-flute design with ball bearing guide. For radius cuts at transition from counter-top to backsplash.

Product Code	Mfr. No.	Diameter In.	Radius In.	Flute Length In.	Shank Diameter In.	OAL In.	List	Each
75-07-097	57232	1-1/8	3/8	1/2	1/2	2-7/8	\$109.88	\$58.73



Router Bits

Dovetail

Two-flute design with ball bearing guide.

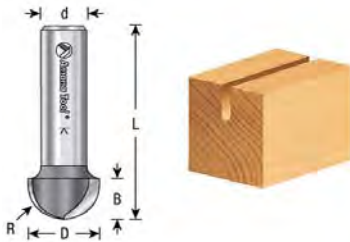


Product Code	Mfr. No.	Diameter In.	Flute Length In.	Shank Diameter In.	OAL In.	List	Each
7° Angle							
75-07-616	45810	3/4	7/8	1/2	2-5/8	\$69.46	\$37.13
7-1/2° Angle							
75-07-626	45820	1/4	5/16	1/4	2-1/2	45.94	24.56
9° Angle							
75-07-604	45800	3/8	3/8	1/4	2	35.06	18.74
75-07-605	45802	3/8	3/8	1/2	2	37.08	19.82
75-07-628	45822	5/16	3/8	1/4	2-1/2	45.80	24.48
14° Angle							
75-07-607	45804	1/2	1/2	1/4	1-3/4	35.06	18.74
75-07-611	45806	1/2	.532	1/2	2-1/2	39.48	21.10
75-07-623	45814	1	1	1/2	2-3/4	66.34	35.46

Router Bits

Core Box

Two flute design.



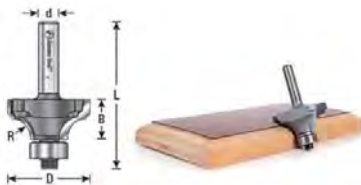
Product Code	Mfr. No.	Diameter In.	Radius In.	Flute Length In.	Shank Diameter In.	OAL In.	List	Each
75-07-632	45900	1/8	1/16	3/8	1/4	1-3/4	\$42.82	\$22.89
75-07-634	45904	1/4	1/8	1/4	1/4	1-5/8	42.18	22.54
75-07-636	45906	3/8	3/16	1/4	1/4	1-1/2	47.76	25.53
75-07-638	45908	3/8	3/16	1/4	1/2	2	56.04	29.95
75-07-639	45910	1/2	1/4	3/8	1/4	1-1/2	49.06	26.22
75-07-642	45912	1/2	1/4	3/8	1/2	2-1/8	59.38	31.73
75-07-643	45914	5/8	5/16	7/16	1/4	1-5/8	50.22	26.85
75-07-645	45916	5/8	5/16	7/16	1/2	2	66.70	35.65
75-07-646	45918	3/4	3/8	7/16	1/4	1-3/4	52.40	28.01
75-07-649	45920	3/4	3/8	7/16	1/2	2	70.04	37.44
75-07-650	45922	7/8	7/16	1/2	1/2	2-1/4	88.04	47.06
75-07-651	45924	1	1/2	5/8	1/4	1-3/4	82.16	43.91
75-07-652	45926	1	1/2	11/16	1/2	2-1/8	102.12	54.58
75-07-653	45928	1-1/4	5/8	3/4	1/2	2-5/16	121.58	64.98

Note: These bits are not anti-kickback and are intended for high feed-rate CNC machines only.

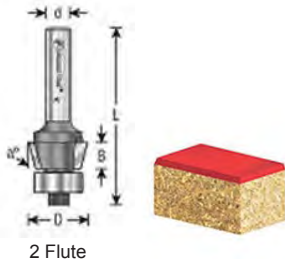
Router Bits

No-File Rounding Over

Two flute design with fillet and ball bearing guide. Eliminates sharp edge on laminate. Cuts fillet together with quarter-round shape in one pass. 1/4" shank diameter.



Product Code	Mfr. No.	Diameter In.	Radius In.	Flute Length In.	OAL In.	List	Each
75-08-901	49507	1-5/16	3/8	5/8	2-1/8	\$74.68	\$39.92



Router Bits

Bevel Trim

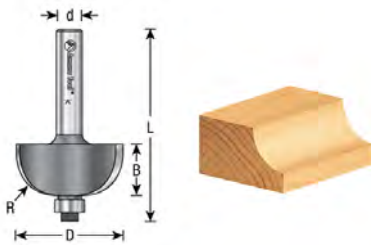
Ball bearing guide. 1/4" shank.

Product Code	Mfr. No.	Cutting Angle Degree	Diameter In.	Flute Length In.	OAL In.	List	Each
2 Flute							
75-07-025	47200	15	5/8	9/32	1-7/8	\$38.54	\$20.60
75-07-820	47202	25	23/32	9/32	1-7/8	39.42	21.06
75-07-822	47204	45	1-1/16	9/32	2	46.02	24.59
3 Flute							
75-07-825	47300	22	15/16	7/16	1-7/8	49.80	26.61
75-07-826	47301	15	51/64	7/16	2	51.38	27.47
75-07-827	47302	7	3/4	7/16	2	52.84	28.24

Router Bits

Cove

Two flute design with ball bearing guide for use in handheld or table-mounted routers. Can be used alone or with beads and fillets for detailing edges of casework, doors, drawers, posts and columns.



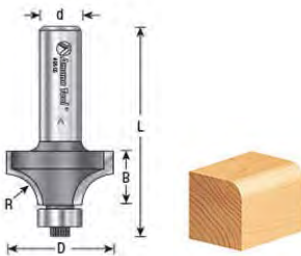
Product Code	Mfr. No.	Diameter In.	Radius In.	Flute Length In.	Shank Diameter In.	OAL In.	List	Each
1/4" Shank Diameter								
75-07-915	49092	1/2	1/16	1/2	1/4	2	\$69.54	\$37.16
75-07-916	49094	5/8	1/8	1/2	1/4	2	69.54	37.16
75-07-917	49100	3/4	3/16	9/16	1/4	2	69.74	37.28
75-07-027	49104	7/8	1/4	9/16	1/4	2	66.70	35.65
75-07-921	49108	1	5/16	9/16	1/4	2-1/8	69.24	37.01
75-07-029	49112	1-1/8	3/8	9/16	1/4	2	67.22	35.92
75-07-031	49116	1-3/8	1/2	3/4	1/4	2-1/4	77.78	41.67
1/2" Shank Diameter								
75-07-028	49106	7/8	1/4	9/16	1/2	2-3/8	69.16	36.97
75-07-922	49110	1	5/16	9/16	1/2	2-3/8	71.50	38.21
75-07-030	49114	1-1/8	3/8	9/16	1/2	2-3/8	69.60	37.20
75-07-032	49118	1-3/8	1/2	3/4	1/2	2-1/2	76.72	41.00
75-07-033	49120	2	3/4	1	1/2	2-7/8	144.22	77.08
75-07-929	49122	2-1/2	1	1-1/4	1/2	3	288.36	154.13

Router Bits

Corner Rounding

Features 2 flutes, ball bearing guide, and shoulder to cut fillets. Can be used as beading bit when small pilot bearing used and second shoulder produced.

Note: Not for use in hand held router.



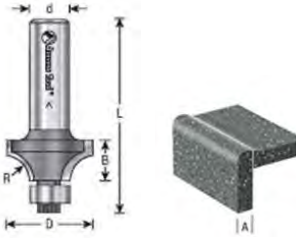
Product Code	Mfr. No.	Diameter In.	Radius In.	Flute Length In.	Shank Diameter In.	OAL In.	List	Each
1/4" Shank Diameter								
75-07-042	49500	7/8	3/16	1/2	1/4	2	\$60.60	\$32.39
75-07-043	49504	1	.25	1/2	1/4	2	60.38	32.28
75-07-045	49512	1-1/4	.375	5/8	1/4	2-3/16	63.22	33.79
75-07-047	49516	1-1/2	.5	3/4	1/4	2-1/4	69.60	37.20
75-07-979	49492	5/8	.063	5/16	1/4	1-3/4	61.98	33.13
75-07-981	49496	3/4	.125	3/8	1/4	2	59.52	31.81
75-07-990	49508	1-1/8	5/16	1/2	1/4	2-1/16	64.52	34.49
1/2" Shank Diameter								
75-07-980	49494	5/8	1/16	5/16	1/2	2-1/4	64.52	34.49
75-07-986	49502	7/8	3/16	1/2	1/2	2-7/16	62.20	33.25
75-07-044	49506	1	1/4	1/2	1/2	2-7/16	61.26	32.74
75-07-991	49510	1-1/8	5/16	1/2	1/2	2-7/16	66.48	35.54
75-07-046	49514	1-1/4	3/8	5/8	1/2	2-9/16	65.32	34.91
75-07-997	49517	1-5/8	9/16	3/4	1/2	2-5/8	105.90	56.60
75-08-000	49519	1-3/4	5/8	7/8	1/2	2-3/4	106.84	57.10
75-07-084	49520	2	3/4	1	1/2	2-7/8	113.58	60.71



Router Bits

Corner Rounding – Ultra-Glide™

Two-flute design with ball bearing guide. Produces no-drip edge or bullnose in two passes.

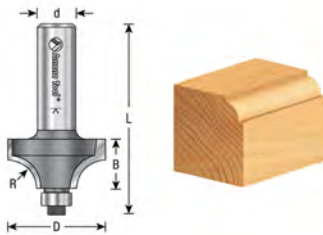


Product Code	Mfr. No.	Diameter In.	Radius In.	Flute Length In.	Shank Diameter In.	OAL In.	List	Each
75-07-094	57147	3/4	1/8	3/8	1/2	2-5/16	\$73.74	\$39.41
75-07-095	57149	1	1/4	1/2	1/2	2-7/16	73.74	39.41
75-07-076	57150	1-1/8	5/16	1/2	1/4	1-7/8	79.40	42.44
75-07-077	57152	1-1/8	5/16	1/2	1/2	2-1/4	79.40	42.44
75-07-071	57139	1-1/2	1/2	3/4	1/2	2-3/8	90.72	48.49
75-07-073	57141	2	3/4	1	1/2	2-3/8	124.26	66.41

Router Bits

Beading

Two flute design with ball bearing guide. Cuts quarter-round shape bounded by fillets in one pass.

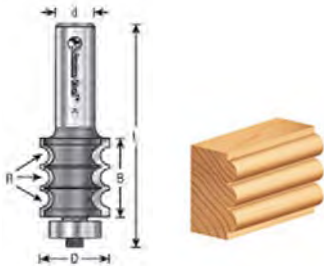


Product Code	Mfr. No.	Diameter In.	Radius In.	Flute Length In.	Shank Diameter In.	OAL In.	List	Each
75-08-018	49592	5/8	1/16	5/16	1/4	1-3/4	\$61.98	\$33.13
75-08-020	49596	3/4	1/8	3/8	1/4	2	59.52	31.81
75-08-023	49600	7/8	3/16	1/2	1/4	2	60.60	32.39
75-07-049	49604	1	1/4	1/2	1/4	2	60.38	32.28
75-08-029	49608	1-1/8	5/16	1/2	1/4	2-1/16	64.52	34.49
75-07-051	49612	1-1/4	3/8	5/8	1/4	2-3/16	63.22	33.79
75-07-052	49614	1-1/4	3/8	5/8	1/2	2-9/16	65.32	34.91
75-07-053	49616	1-1/2	1/2	3/4	1/4	2-1/4	69.60	37.20

Router Bits

Triple Beading

Two-flute design with ball bearing guide.



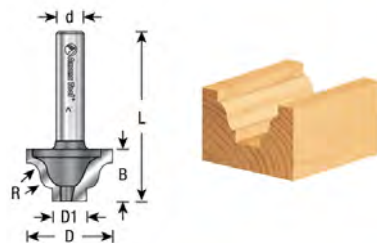
Product Code	Mfr. No.	Diameter In.	Radius In.	Flute Length In.	Shank Diameter In.	OAL In.	List	Each
75-08-298	54213	7/8	1/8	1	1/2	3	\$111.34	\$59.51

Router Bits

Chamfer

Two-flute design with ball bearing guide.

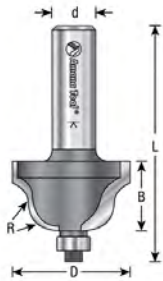
Nos. 75-07-041 & 75-07-966. Not for use in handheld routers.



Product Code	Mfr. No.	Diameter In.	Cutting Angle Degree	Flute Length In.	Shank Diameter In.	OAL In.	List	Each
75-07-039	49400	1-1/4	45	1/2	1/4	2	\$56.54	\$30.22
75-07-040	49402	1-1/4	45	1/2	1/2	2-3/8	58.28	31.15
75-07-041*	49404	2	45	3/4	1/2	2-1/2	175.50	93.80
75-07-966†	49406	2-3/8	45	1	1/2	2-7/8	189.52	101.53
75-07-968	49408	7/8	15	3/4	1/4	2-1/4	59.92	32.10
75-07-969	49410	1-1/4	22-1/2	15/16	1/2	2-7/8	67.80	36.32

* Max. material thickness 3/4".

† Max. material thickness 1". Maximum RPM 16,000.

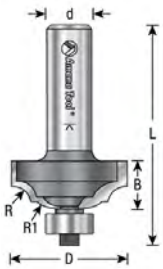


Router Bits

Roman Ogee

Two-flute design with ball bearing guide.

Product Code	Mfr. No.	Diameter In.	Radius In.	Flute Length In.	Shank Diameter In.	OAL In.	List	Each
75-07-034	49200	1	5/32	5/8	1/4	2-1/8	\$72.22	\$38.60
75-07-035	49202	1	5/32	5/8	1/2	2-1/2	77.30	41.31
75-07-935	49204	1-3/8	1/4	13/16	1/4	2-1/4	77.58	41.47
75-07-937	49206	1-3/8	1/4	13/16	1/2	2-5/8	81.50	43.56
75-07-938	49207	2	3/8	1	1/2	3	97.62	52.18

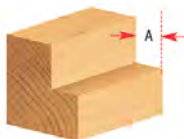
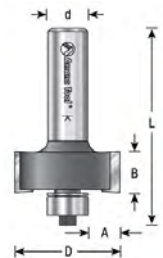


Router Bits

Classical Bead & Cove

Two-flute design with ball bearing guide.

Product Code	Mfr. No.	Diameter In.	Radius In.	Flute Length In.	Shank Diameter In.	OAL In.	List	Each
75-08-227	54102	1-1/4	13/64	1/2	1/4	2	\$90.50	\$48.38
75-08-229	54104	1-1/4	13/64	1/2	1/2	2-3/8	91.74	49.03
75-08-230	54106	1-1/2	7/32	5/8	1/4	2-1/8	116.70	62.38
75-08-233	54108	1-1/2	7/32	5/8	1/2	2-1/2	112.58	60.17



Router Bits

Rabbet

Two-flute design with ball bearing guide.

Product Code	Mfr. No.	Diameter In.	Rabbet Depth In.	Shank Diameter In.	OAL In.	List	Each
Rabbet							
75-07-947	49300	1-1/4	3/8	1/4	2	\$57.56	\$30.76
75-07-949	49302	1-1/4	3/8	1/2	2-3/8	60.76	32.47
Multi-Rabbet							
75-07-954	49340	1	1/8, 1/4, 5/16, 3/8, 7/16, 1/2	1/4	2	78.18	41.78
75-07-956	49350	1	1/8, 1/4, 5/16, 3/8, 7/16, 1/2	1/2	2-3/8	78.18	41.78



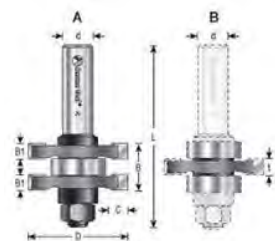
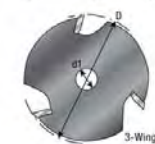
Router Bits

Slot Cutter

Three-wing design. 1-7/8" overall diameter. 1/4" shank diameter. 2-3/8" length.

Product Code	Mfr. No.	Groove Width In.	List	Each
75-08-190	53400	1/16	\$46.82	\$25.02
75-08-192	53402	5/64	47.40	25.33
75-08-194	53404	3/32	47.76	25.53
75-08-196	53406	1/8	50.80	27.16
75-08-199*	53407	5/32	52.04	27.82
75-08-202	53408	3/16	52.04	27.82
75-08-204	53410	1/4	52.26	27.93

* Also used for biscuit joint cutting.



Router Bits

Tongue & Groove Assembly

Two-wing design with ball bearing guide. 1/2" shank diameter. For use in table-mounted routers with material 1/2" to 1-1/8" thick. Not for use in handheld routers.

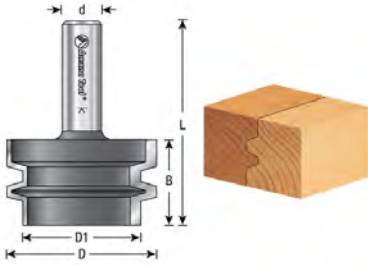
Product Code	Mfr. No.	Ball Bearing Size In.	Diameter In.	Flute Length In.	OAL In.	List	Each
75-08-403	55400	3/8	1-5/8	3/4	3	\$132.38	\$70.76
75-08-905*	55407	1/2	1-7/8	1-1/8	3	237.20	126.78
75-08-906	55401	3/8	1-5/8	1-1/8	3-3/8	164.32	87.83

* 2-piece set.



Router Bits Glue Joint

Two-flute design. For use in table-mounted routers. Not for use in hand held routers.

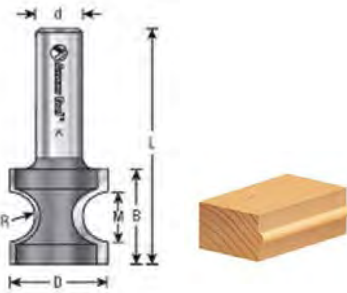


Product Code	Mfr. No.	Diameter In.	Flute Length In.	Shank Diameter In.	OAL In.	List	Each
75-08-395	55388	1-7/8	1-3/32	1/2	2-5/8	\$170.50	\$91.13

Router Bits Bull Nose Radius

Two and three flute design with ball bearing guide. Cuts quarter-round shape bounded by fillets in one pass.

Note: Not for use in hand held router.

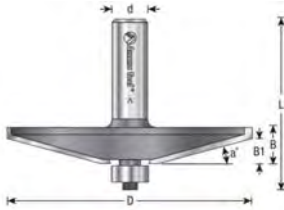


Product Code	Mfr. No.	Maximum Thickness In.*	Radius In.	Flute Length In.	Shank Diameter In.	OAL In.	List	Each
2 Flute								
75-08-130	51550	5/32	5/64	1/2	1/2	2	\$89.28	\$47.72
75-08-132	51554	19/32	9/64	3/4	1/2	2-1/4	93.70	50.08
75-08-133	51556	27/64	13/64	3/4	1/2	2-1/4	111.48	59.59
75-08-134	51558	35/64	17/64	1	1/2	2-1/2	120.56	64.44
75-08-137	51560	3/4	3/8	1-5/16	1/2	2-3/4	156.20	83.48
75-08-138	51562	1	1/2	1-9/16	1/2	3-1/16	182.18	97.37

* Greatest material thickness on which a 180° roundover can be achieved.

Router Bits Raised Panel

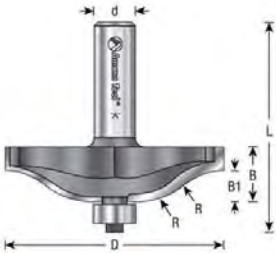
Two-flute design with ball bearing guide. 1/2" shank.



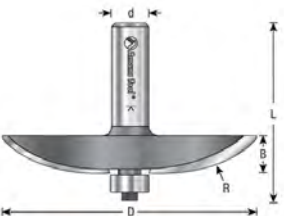
Product Code	Mfr. No.	Reveal In.	Maximum RPM	Diameter In.	Flute Length In.	OAL In.	List	Each
Traditional								
75-08-239	54116	9/16	—	1-5/8	1/2	2-3/8	\$101.32	\$54.16
75-08-240	54117	1-7/16	14,000	3-3/8	1/2	2-3/8	207.08	110.68
Ogee								
75-08-241	54118	1-1/16	20,000	2-5/8	5/8	2-1/2	154.02	82.32
75-08-244	54121	1-7/16	14,000	3-3/8	9/16	2-1/2	203.58	108.82
Cove								
75-08-242	54119	1-7/16	14,000	3-3/8	1/2	2-3/8	203.58	108.82



75-08-240



75-08-241





Saw Blades

Rip & Crosscut Combination – Thin Kerf

For cutting rip & crosscut wood, chipboard, and veneered plywood. Features ArmorMax™ non-stick coating and 4+1 grind. 10" diameter, 50 teeth and 15° hook angle. 5/8" bore.

Product Code	Kerf In.	List	Each
75-09-270	.126	\$115.73	\$62.00
75-09-272	.098	115.20	61.71



Saw Blades

Cut-Off & Crosscut

For cutting crosscut wood and veneered plywood. Features ArmorMax™ non-stick coating and ATB grind.

Product Code	Diameter In.	No. Teeth	Kerf In.	Plate In.	Hook Angle °	Bore In.	List	Each
75-09-274	10	60	.126	.087	12	5/8	\$114.38	\$61.27



Saw Blades

Plywood & Laminate

For cutting MDF/laminate, chipboard and veneered plywood. Features ArmorMax™ non-stick coating and TCG grind.

Product Code	Diameter In.	No. Teeth	Kerf In.	Plate In.	Hook Angle °	Bore In.	List	Each
75-09-276	10	60	.126	.087	6	5/8	\$117.90	\$63.16



Miter Saw Blades

Thin Kerf

For cutting crosscut wood, veneered plywood, and picture frame moldings. Features ArmorMax™ non-stick coating and ATB+F grind.

Product Code	Diameter In.	No. Teeth	Kerf In.	Plate In.	Hook Angle °	Bore In.	List	Each
75-09-278	10	60	.090	.071	3	5/8	\$136.80	\$73.29



Miter Saw Blades

Compound – Thin Kerf Sliding

For cutting crosscut wood, veneered plywood, picture frame moldings and laminate. Features ArmorMax™ non-stick coating and ATB+F grind.

Product Code	Diameter In.	No. Teeth	Kerf In.	Plate In.	Hook Angle °	Bore In.	List	Each
75-09-280	12	96	.094	.071	-3	1	\$205.13	\$109.89



Saw Blades

Cut-Off & Crosscut – Finito™

For cutting crosscut wood, chipboard and veneered plywood. Features ArmorMax™ non-stick coating and ATB grind. 10° hook angle, .116" kerf and .098" plate.

Product Code	Diameter In.	No. Teeth	Bore In.	List	Each
75-09-282	10	80	5/8	\$145.28	\$77.83
75-09-284	12	96	1	182.40	97.71



Saw Blades

Ripping & Crosscut

Teeth consist of four alternate top bevel grind and one raker per set. 15° hook angle. Blade body features gullets for deep cuts and positive chip ejection.



Product Code	Mfr. No.	Diameter In.	No. Teeth	Kerf In.	Bore In.	List	Each
75-01-008	610504	10	50	.135	5/8	\$155.32	\$83.02
75-01-231	612604	12	60	.50	1	262.60	140.35

Saw Blades

Solid Surface

For cutting plastic laminate, Plexiglas® and solid surface materials. Provides swirl-free cut. Features 0° hook angle with modified triple chip grind.



Product Code	Mfr. No.	Diameter In.	No. Teeth	Kerf In.	Bore In.	List	Each
75-01-036	610721	10	72	.126	5/8	\$274.28	\$146.60
75-07-104	612841	12	84	.126	1	356.88	190.75

Saw Blades

Melamine & Laminate

For smooth, chip-free cutting with table saws. Features 25° high alternate top bevel grind teeth with 6° negative hook angle. .126" kerf.



Product Code	Mfr. No.	Diameter In.	No. Teeth	Bore In.	List	Each
75-01-028	MB10800	10	80	5/8	\$234.22	\$125.18
75-01-029	MB12960	12	96	1	318.34	170.15

Saw Blades

General Purpose

Alternate top bevel grind tooth design with 18° hook angle.



Product Code	Mfr. No.	Diameter In.	No. Teeth	Kerf In.	Bore In.	List	Each
75-01-670	PR1040	10	40	.126	5/8	\$162.14	\$86.87
75-01-672	PR1240	12	48	.126	1	226.66	121.42

Saw Blades

Euro-Rip

Features cooling slots and anti-kickback design. Flat top grind tooth design with 20° hook angle. .126" kerf.



Product Code	Mfr. No.	Diameter In.	No. Teeth	Bore In.	List	Each
75-01-030	RB1020	10	20	5/8	\$150.38	\$80.38



Saw Blades Cut-Off & Crosscut

For general trimming and crosscutting of hardwood, softwood, plywood, mdf/fiberboard, and single- or double-sided laminated material. Features 10° hook angle and .126" kerf.

Product Code	Mfr. No.	Diameter In.	No. Teeth	Bore In./mm	Grind*	List	Each
75-01-010	610601	10	60	5/8"	TCG	\$152.56	\$81.54
75-01-014	612721	12	72	1"	TCG	287.64	153.74
75-01-015	612721-30	12	72	30mm	TCG	287.64	153.74
75-01-019	614721	14	72	1"	TCG	314.28	167.97

TCG = Triple Chip Grind.



Saw Blades Cut-Off & Crosscut

For use on hardwood, softwood, plywood and chipboard in cabinetmaking applications. Features 10° hook with alternate top bevel (ATB) tooth grind.

Product Code	Mfr. No.	Diameter In.	No. Teeth	Kerf In.	Bore In.	List	Each
75-01-009	610600	10	60	.126	5/8	\$141.96	\$75.88
75-01-013	612720	12	72	.126	1	268.62	143.57



Saw Blades Plastic Cutting – No-Melt

For cutting acrylic sheets, Plexiglas®, Lexan® and similar materials, without melting. Features modified triple chip grind (MTCG) tooth design with 2° negative hook angle.

Product Code	Mfr. No.	Diameter In.	No. Teeth	Kerf In.	Bore In.	List	Each
75-01-617	LB10801	10	80	.100	5/8	\$284.66	\$152.15
75-01-620	LB12961	12	96	.125	5/8	333.66	178.33



Miter Saw Blades Thin Kerf

For use on veneer plywoods, Plexiglas®, masonite and plastics. Provides smooth cuts with less drag on bearings and brake. Features alternate top bevel (ATB) grind.

Note: Not recommended for stock over 3/4" without use of stabilizer.

Product Code	Mfr. No.	Diameter In.	No. Teeth	Kerf In.	Bore In.	List	Each
75-01-210	610800-TS	10	80	.090	5/8	\$240.68	\$128.64
75-01-016	612960-TS	12	96	.090	1	286.34	153.04
75-01-020	615100-TS	15	100	.090	1	386.70	206.69



Saw Blades Non-Ferrous Metal

For cutting thin-wall aluminum. Features triple chip grind (TCG) tooth design with 6° negative hook angle. 5/8" bore; .126" kerf.

Product Code	Mfr. No.	Diameter In.	No. Teeth	List	Each
75-01-161	510101	10	100	\$318.48	\$170.22
75-01-035	510801	10	80	253.66	135.58
75-01-171	512961	12	96	322.34	172.28

PRACTICAL PRODUCTS CO.



Jigsaw Blades

Chrome vanadium construction. Ground and sharpened. 10 TPI. 10 per case.

Product Code	Style	Qty.	List	Each	Case
75-18-159	Upcut	5/card	\$9.42	\$5.40	\$5.03
75-18-160	Upcut	100/box	145.76	80.41	75.23
75-18-161	Downcut	5/card	9.42	5.40	5.03
75-18-162	Downcut	100/box	145.76	80.41	75.23



Hinge Boring Bits

For use with boring machines and drill presses. Features two wings with spurs. 57mm length. 10mm shank diameter. 10 per case.



Product Code	Description	Diameter mm	List	Each
75-17-322	Left hand	20	\$70.34	\$37.59
75-17-350	Right hand	35	69.96	37.40
75-17-361	Right hand	40	88.26	47.17

Boring Bits

Brad Point

10mm Shank diameter. 10 per case.



Product Code	Description	Diameter mm	List	Each
57mm Length				
75-17-234	Right hand	5	\$27.80	\$14.86
75-17-405	Left hand	5	27.80	14.86
75-17-237	Right hand	8	31.80	16.99
75-17-408	Left hand	8	31.80	16.99
75-17-239	Right hand	10	38.68	20.68
75-17-410	Left hand	10	38.68	20.68
70mm Length				
75-17-372	Right hand	5	31.12	16.67
75-17-450	Left hand	5	30.12	16.10
75-17-375	Right hand	8	34.58	18.52
75-17-453	Left hand	8	33.46	17.88
75-17-377	Right hand	10	44.26	23.71
75-17-474	Left hand	10	42.82	22.89

Boring Bits

Through-Hole

10mm x 25mm shank. 10 per case.



Product Code	Description	Diameter mm	List	Each
57mm Length				
75-17-488	Right hand	5	\$38.26	\$20.44
75-17-559	Left hand	5	38.26	20.44
75-17-491	Right hand	8	45.66	24.40
75-17-562	Left hand	8	45.66	24.40
70mm Length				
75-17-499	Right hand	5	44.64	23.86
75-17-570	Left hand	5	44.64	23.86
75-17-502	Right hand	8	50.80	27.16
75-17-573	Left hand	8	50.80	27.16



Forstener Bits

For drilling flat holes in soft and hard woods. High-speed steel construction. 3-1/2" length. 5 per case.



Product Code	Diameter	List	Each
5/16" Shank Diameter			
75-17-013	3/8"	\$13.80	\$7.37
75-17-016	1/2"	14.58	7.80
3/8" Shank Diameter			
75-17-022	3/4"	16.92	9.04
75-17-025	7/8"	18.30	9.78
75-17-028	1"	20.62	11.02
75-17-031	1-1/8"	22.20	11.87
75-17-034	1-1/4"	24.10	12.88
75-17-040	35mm	30.92	16.53
75-17-046	1-5/8"	37.30	19.94
75-17-049	1-3/4"	45.44	24.28
75-17-055	2"	49.36	26.38
75-17-058	2-1/8"	51.82	27.70



Drill Bits

Jobber Length

High speed steel construction. Features 118° point. Black oxide finish.

Product Code	Shank Diameter	List	Each	Case
10 Per Case				
75-17-067	1/64"	\$0.84	\$0.48	\$0.44
75-17-070	1/32"	0.58	0.33	0.31
75-17-073	3/64"	0.54	0.30	0.28
75-17-076	1/16"	0.54	0.30	0.28
75-17-079	5/64"	0.54	0.30	0.28
75-17-082	3/32"	0.68	0.39	0.36
75-17-085	7/64"	0.76	0.43	0.40
75-17-088	1/8"	0.96	0.55	0.51
75-17-091	9/64"	1.08	0.62	0.58
75-17-094	5/32"	1.26	0.72	0.67
75-17-097	11/64"	1.54	0.88	0.82
75-17-100	3/16"	1.56	0.89	0.83
75-17-103	13/64"	1.68	0.96	0.90
75-17-106	7/32"	1.90	1.13	1.05
75-17-109	15/64"	2.04	1.22	1.13
75-17-112	1/4"	2.16	1.28	1.19
75-17-115	17/64"	2.20	1.31	1.22
75-17-118	9/32"	2.72	1.62	1.50
5 Per Case				
75-17-121	19/64"	2.74	1.64	1.52
75-17-124	5/16"	3.60	2.14	1.99
75-17-127	21/64"	4.42	2.64	2.45
75-17-130	11/32"	4.42	2.64	2.45
75-17-133	23/64"	5.18	3.08	2.86
75-17-136	3/8"	5.86	3.50	3.25
75-17-139	25/64"	6.96	4.14	3.85
75-17-142	13/64"	7.78	4.64	4.30
75-17-145	27/64"	7.96	4.74	4.40
75-17-148	7/16"	8.58	5.11	4.75
75-17-151	29/64"	8.58	5.11	4.75
75-17-154	15/32"	10.00	5.96	5.53
75-17-157	31/64"	10.52	6.27	5.82
75-17-160	1/2"	11.90	7.10	6.59
75-17-166	3mm	3.44	2.05	1.90
75-17-788	5mm	3.82	2.28	2.12
75-17-172	7mm	4.58	2.73	2.53
75-17-175	8mm	5.48	3.27	3.03
75-17-178	10mm	6.60	3.93	3.65
75-17-179	15mm ¹	14.82	8.84	8.20

FastCap® ...Lean Innovations that Change the World

Aetna Plywood Inc.



FastCap®
Peel & Stick Cover Caps...
and a whole lot more!

Fastcaps are the finishing touch to a professional job! They are self-adhesive screw cover caps, made with ultra-bond high performance PSA adhesive which increases in strength as it cures. 1000's of shapes, sizes and material types available.

Features...

- Fast and easy to install
- PVC, unfinished and pre-finished wood
- 100's of shapes and sizes

Great for...

- Covering screw holes
- Finishing RTA fittings
- Trimming out plumbing cutouts

US. Pat. No. 5,997,229 CAN. Pat. No. 2,296,099 Other Patents Pending

Material	Mini Box 5 sheets	Standard Box 20 sheets	Bulk Box 500 sheets
PVC Solid	\$7.52	\$25.36	\$546.32
PVC Woodgrain	\$9.40	\$31.72	\$673.38
Unfinished Wood	\$12.60	\$45.72	\$978.30
Finished Wood	\$15.38	\$55.82	\$1,194.28
White E2 (Electrical)	\$14.76	\$49.80	\$1,062.60
Metallics	\$15.38	\$55.82	\$1,194.28

Colors & Materials

Fastcap® and Fastedge™

PVC (Solids & Woodgrains) Free sample chains available (only in PVC)

White (slight texture) (WH)	Natural oak (NO)	Hardrock maple (HM)	Select cherry (SC)	Fuji cherry (FC)	Beech (BE)
Smooth white (SW)	Golden oak (GO)	Manitoba maple (MM)	Medium cherry (MC)	Red mahogany (RM)	Finished MDF (MDF)
Antique white (AW)	Renaissance oak (RN)	White washed maple (WW)	Bourbon cherry (BC)	Dark red mahogany (DM)	Polished brass (PBR)
Almond (AL)	Pickled oak (PO)	Light maple (LM)	Golden cherry (GC)	Presidential walnut (PW)	Brushed brass (BBR)
Black (BL)	Rosewood oak (SO)	Clear maple (CM)	Dark cherry (DC)	Imperial walnut (IW)	Polished chrome (PCHR)
Fog gray (DG)	Medium oak (MO)	American maple (AM)	Heritage cherry (HT)	Mahogany on walnut (MW)	Brushed chrome (BCHR)
Folkstone gray (LG)	Light oak (LO)	Natural cherry (NC)	Autumn cherry (AC)	Knotty pine (KP)	

Unfinished (Real Wood) Woodgrain will vary. Call for actual sample.

Red oak (RO)	Cherry (CH)	White birch (WB)	Anigre (AN)	Sapele (SP)	Alder (AD)
White oak (WO)	Mahogany (MG)	Natural birch (NB)	Ash (AS)	VG Fir (VF)	
Maple (MP)	Pine (PN)	Walnut (WA)	Hickory - Pecan (HC) - (PE)	Teak (TK)	

Prefinished (Real Wood) Woodgrain will vary. Call for actual sample.

Red oak (PRO)	Teak (PTK)	Alder (PAD)	Anigre (PAN)	Cherry (PCH)	Yellow pine (PYP)
White oak (PWO)	Maple (PMP)	White birch (PWB)	Sapele - Mahogany (PSP) - (PMG)	Ash (PAS)	Walnut (PWA)

Indianapolis, IN
(317) 353-6281

Maywood, IL
(708) 343-1515

Rockford, IL
(815) 968-0921

Twin Cities, MN
(651) 407-2800

Safety & Shop Supplies



FastCap® ...Lean Innovations that Change the World

Aetna Plywood Inc.

Fastedge

Peel & Stick Edgebanding



Fastedge is a peel & stick edgebanding made with ultra-bond high performance PSA adhesive. It is fast, easy, super strong and increases in strength over time. Simply peel off the liner, stick, roll and trim and you are done!

Features...

- Fast and easy to install
- PVC, unfinished and pre-finished wood
- Increases in strength as it cures

Great for...

- Cabinetmakers
- Field repair
- Refacing

Patent Pending

Technical Information	
Standard Widths	15/16" and 3/4"
Custom Widths	From 1/4" to 5"
PVC Thickness	0.018" Thick
Wood Thickness	Up to 0.020" thick

Packaging for Fastedge	
25 foot roll	
50 foot roll	
250 foot roll	
600 foot roll (PVC only)	

SpeedRoller PRO™



The SpeedRollerPRO is an ergonomic laminate roller that can be used for any PSA application - especially Fastedge & SpeedTape. The SpeedRollerPRO includes 2 sets of interchangeable wheels.

Features...

- Ergonomic shape
- Non-marring rubber wheels
- Maximum PSI steel wheels

Great for...

- Roll on Fastedge
- Roll on SpeedTape
- Labels and laminate

Patent Pending

Description	Part Number	Price
SpeedRollerPRO	SPEEDROLLERPRO	\$32.95

Quad Trimmer™



The Pneumatic Quad Trimmer with Carbon Steel or Tungsten Carbide Blades make trimming edgebanding quick and easy! With a comfortable and ergonomic design, it trims both sides of the edgebanding in just one pass.

Features...

- No springs, all pneumatic
- Cuts forwards and backwards
- Cuts both sides at once

Great for...

- Edgebanding
- Wood veneer (watch the video)
- Materials up to .018

Patent Pending

Description	Part Number	Price
Quad Trimmer with Carbon Steel Blades	Q.TRIM	\$21.95
Quad Pro Trimmer with Tungsten Carbide Blades	QPRO.TRIM	\$43.95
Carbon Steel 30° Blade Replacements	Q.BLADE	\$11.00
Tungsten Carbide 30° Blade Replacements	QPRO.BLADE	\$28.60

Indianapolis, IN
(317) 353-6281

Maywood, IL
(708) 343-1515

Rockford, IL
(815) 968-0921

Twin Cities, MN
(651) 407-2800

FastCap® ...Lean Innovations that Change the World

Aetna Plywood Inc.

The 11th Finger

The magnetic push stick



Two powerful neodymium magnets keep the 11th Finger push stick perfectly positioned for safety and efficiency on your table saw. Designed by a woodshop teacher to guarantee his students keep all 10 of their fingers.

Features...

- 2 high performance neodymium magnets
- Safety orange for high visibility
- Ergonomic handle
- The polyethylene body won't damage your blade

Patent Pending

Description	Part Number	Price
11th Finger	11-FINGER	\$9.95

Speed Skate™



The Speed Skate allows you to move large & heavy materials around the job or shop by yourself. It easily supports 4' x 8' sheets of material up to 1-3/4" wide. Large wheels and ball bearings allow you to move boards without struggle.

Features...

- Tough Polyurethane wheels
- Ball bearings for smooth operation
- Supports up to 1-3/4" widths

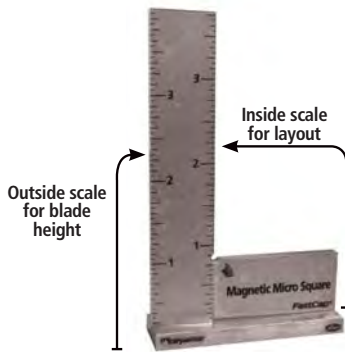
Great For...

- Plywood
- Doors
- Countertops

Patent Pending

Description	Part Number	Price
Speed Skate Sheet Dolly	SPEED SKATE	\$24.95

Mag Micro Square™



The Magnetic Micro Square makes squaring up your saws or other pieces of equipment effortless! The square sticks firmly to the cast iron table and allows hands free adjustment of spindles, blades and fences.

Features...

- Imperial scale and Metric scale
- Store it on your saw with built-in magnets
- 2 neodymium magnets embedded in the base

Description	Part Number	Price
Mag Micro Square	MAG MICRO SQUARE	\$22.00

Mag Shims™

Magnetic Spacers for the Shop



Mag Shims are the easiest way to set blade height and fence spacing on your table saw. Simply stick the magnetic shims together to get a perfect setup in seconds! Also great for setting depth on drill presses. Available in Standard or Metric sizes.

Features...

- Set spacing quickly & easily
- Standard: 1/16" to 1-1/8"
- Metric: 1mm to 14mm

Great for...

- Table saws & drill presses
- Setting router depth
- Spacing for layout projects

Patent Pending

Description	Part Number	Price
Mag Shims Standard (8-1/8", 2-1/16")	MAG SHIM STANDARD	\$24.95
Mag Shims Metric (6-2mm, 2-1mm)	MAG SHIM METRIC	\$19.95

Indianapolis, IN
(317) 353-6281

Maywood, IL
(708) 343-1515

Rockford, IL
(815) 968-0921

Twin Cities, MN
(651) 407-2800

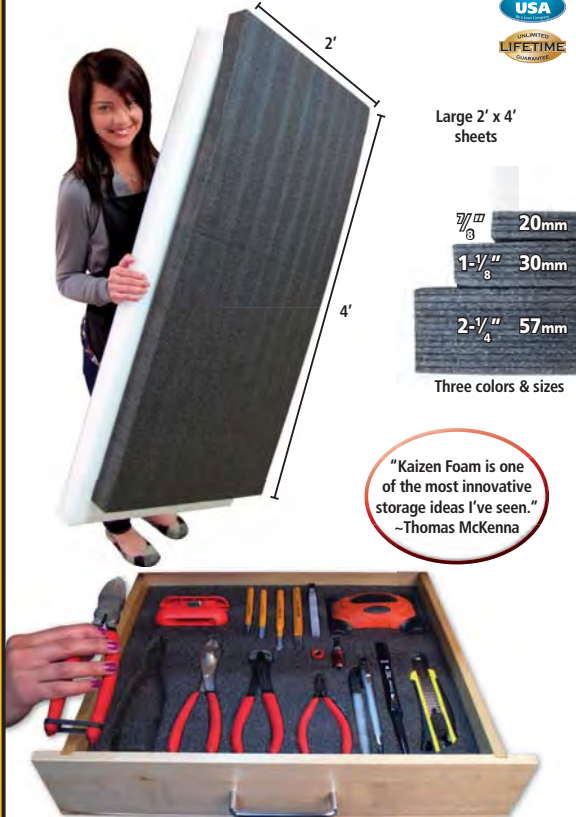
Safety & Shop Supplies



FastCap® ...Lean Innovations that Change the World

Aetna Plywood Inc.

Kaizen Foam™



Large 2' x 4' sheets

- 7/8" 20mm
- 1-1/8" 30mm
- 2-1/4" 57mm

Three colors & sizes

"Kaizen Foam is one of the most innovative storage ideas I've seen."
-Thomas McKenna

Kaizen Foam is another great product designed to help you achieve maximum organization and visual control in your workspace! Kaizen Foam peels away in layers creating a perfect fit for all your tools in drawers and on walls.

Features...

- Inexpensive, guaranteed for life!
- High performance, super tough foam
- Easy to peel 1/8" layered sections

Great for...

- Office/home/shop
- Vertical applications
- Tool Boxes

*5mm Black layer on white foam

Patent Pending

Description	Part Number	USD
Kaizen Foam 20mm Black	KAIZEN FOAM 20MM BL	\$10.99
Kaizen Foam 20mm White	KAIZEN FOAM 20MM WH	\$10.99
Kaizen Foam 20mm Black & White*	KAIZEN FOAM 20MM B&W	\$10.99
Kaizen Foam 30mm Black	KAIZEN FOAM 30MM BL	\$14.29
Kaizen Foam 30mm White	KAIZEN FOAM 30MM WH	\$14.29
Kaizen Foam 30mm Black & White*	KAIZEN FOAM 30MM B&W	\$14.29
Kaizen Foam 57mm Black	KAIZEN FOAM 57MM BL	\$21.99
Kaizen Foam 57mm White	KAIZEN FOAM 57MM WH	\$21.99
Kaizen Foam 57mm Black & White*	KAIZEN FOAM 57MM B&W	\$21.99
TriBlade Knife	TRIBLADE	\$3.30
Kaizen Knife	KAIZEN KNIFE	\$2.75
Long Nose Pattern Marker	LONG NOSE MARKER	\$5.50

Long Nose Marker™



The Long Nosed Pattern Marker has a 1-1/8" long fine point tip for marking inside holes and along walls while the other end has a wide tip for general use. It is the ultimate permanent, waterproof marker, essential for every cabinet shop.

Features...

- Long fine-tip point for precision
- Wide chisel tip for general use
- Permanent & waterproof
- Removable pocket clip

Great For...

- Tracing angles
- Marking tight places
- Marking inside holes

Patent Pending

Description	Part Number	Price
Long Nose Pattern Marker	LONG NOSE MARKER	\$5.50

TriBlade + Kaizen Knife



The TriBlade Utility Knife allows for additional storage of 2 extra blades. The rubberized grip makes it comfortable to hold and the retractable self-locking blade makes it safe to use.

The Kaizen Knife features a thin blade ideal for cutting kaizen foam. It also features a box opener to safely rip through tape and plastic.

Patent Pending

Description	Part Number	Price
TriBlade Heavy Duty Utility Knife	TRIBLADE	\$3.30
Kaizen Knife	KAIZEN KNIFE	\$2.75
Replacement Blade 10pk	TRI.REPLACEMENT	\$2.20

Indianapolis, IN
(317) 353-6281

Maywood, IL
(708) 343-1515

Rockford, IL
(815) 968-0921

Twin Cities, MN
(651) 407-2800

FastCap® ...Lean Innovations that Change the World

Aetna Plywood Inc.



Mag Dust Barrier Door™

- 1 - Top rail
- 1 - Mag Dust Door
- 1 - Carrying Bag
- 10 - Magnetic Strips

Mag Dust Barrier Door System

- 1 - Top rail
- 1 - Mag Dust Door
- 2 - Carrying Bags
- 10 - Magnetic Strips
- 2 - Dust Barrier Feet
- 2 - 3rd Hand HD



No more stopping, struggling or hassling with zippers! The Magnetic Dust Barrier Door is a hands-free, self-closing door that you can use over and over again. Keep your jobsite clean and your customers happy.

Features...

- Self-closing, durable door
- 100% Reusable
- Designed for the 3rd Hands

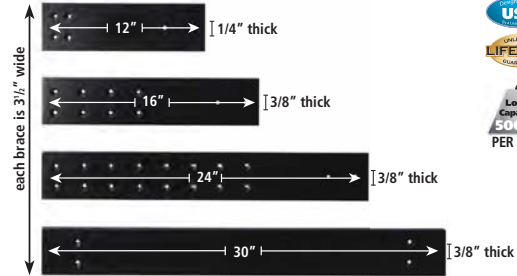
Great for:

- Dust doors
- Temp doors
- Refrigeration doors

Patent Pending

Description	Part Number	Price
3rd Hand Mag Dust Barrier Door System	3-H MAG DOOR SYSTEM	\$199.95
3rd Hand Mag Dust Barrier Door with magnets & bag	3-H MAG DOOR	\$99.95
3rd Hand Mag Dust Barrier Door curtain only	3-H CURTAIN	\$29.95
3rd Hand Magnetic Strip	3-H MAG STRIP	\$7.99
Dust Barrier Door Spring Pole	3-H DB POLE	\$10.00

SpeedBrace STEALTH HD



The Stealth Speedbrace supports your countertop and bar overhangs with no visible kicker or expensive corbels. A pair of HD braces will support 500 pounds of weight and a pair of Stealth (below) braces will support 300 pounds! Sold individually.

Features...

- 1/4 to 3/8" steel
- Black & primed (12" only)
- Countersunk screw holes

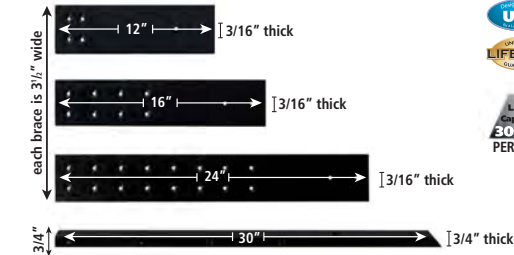
Great for...

- Countertops & bars
- Dishwasher installation
- Extra Bracing

Patent Pending

Description	Part Number	Price
HD Black 12" Stealth Speedbrace	SB-12 HD STEALTH BL	\$12.00
HD Primed 12" Stealth Speedbrace	SB-12 HD STEALTH PRIMED	\$12.00
HD Black 16" Stealth Speedbrace	SB-16 HD STEALTH BL	\$24.00
HD Black 24" Stealth Speedbrace	SB-24 HD STEALTH BL	\$32.00
HD Black 30" Dishwasher brace	SB-30 HD STEALTH BL	\$45.00

SpeedBrace STEALTH



Features...

- 3/16" to 3/4" steel
- Black, white (12" only) & primed finish
- Countersunk screw holes

Great for...

- Countertops
- Bars
- Extra Bracing

Patent Pending

Description	Part Number	Price
12" Black Stealth Speedbrace	SB-12 STEALTH BL	\$10.00
12" Primed Stealth Speedbrace	SB-12 STEALTH PRIMED	\$10.00
12" White Stealth Speedbrace	SB-12 STEALTH WH	\$10.00
16" Black Stealth Speedbrace	SB-16 STEALTH BL	\$12.00
16" Primed Stealth Speedbrace	SB-16 STEALTH PRIMED	\$12.00
24" Black Stealth Speedbrace	SB-24 STEALTH BL	\$16.00
24" Primed Stealth Speedbrace	SB-24 STEALTH PRIMED	\$16.00
30" Black Stealth Speedbrace	SB-30 STEALTH BL	\$18.00
30" Primed Stealth Speedbrace	SB-30 STEALTH PRIMED	\$18.00

Indianapolis, IN
(317) 353-6281

Maywood, IL
(708) 343-1515

Rockford, IL
(815) 968-0921

Twin Cities, MN
(651) 407-2800

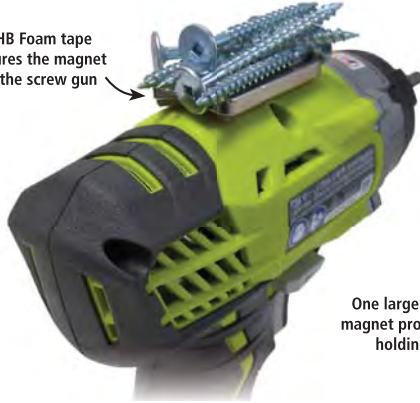


FastCap® ...Lean Innovations that Change the World

Aetna Plywood Inc.

Power Mag™ For the Screw Gun

VHB Foam tape secures the magnet to the screw gun



One large Neodymium magnet provides massive holding power!

Always loosing your screws and bits? The Power Mag for Screw Guns will help you keep everything together! It features one large neodymium high performance magnet with a VHB Foam tape on the back to secure to your Screw Gun.

Inventor, John Willis Patent Pending

Description	Part Number	Price
Power Mag for Screw Guns	POWER MAG SCREWGUN	\$19.99



GlüBot™ & BabeBot™



New lanyard to keep redcap close

Easy fill wide mouth

The Glue Bottle that Sucks!

Wide bottom for extra stability

The GlüBot is designed with a 2-chamber system that pushes glue from the bottom up through the secondary side chamber which ensures fresh glue every time.

Features...

- Replaceable tips & cap storage
- Dispenses glue from the bottom first
- 1 Blade tip, 1 Yorker tip & 1 Red cap

Great for...

- Yellow glue
- Wood glue
- Other liquids

Patent Pending

Description	Part Number	USD
GlüBot 16oz.	GB.GLUBOT	\$6.60
BabeBot 4oz.	GB.BABEBOT	\$4.40

FatBoy Pencil™



5.5mm HB2 lead

Never break your lead again with The FatBoy Pencil. It combines the utility of a mechanical pencil with the strength of a carpenter pencil. Easily sharpens in a standard pencil sharpener. Super tough 5.5mm HB2 lead stays sharp longer.

Features...

- Lightweight aluminum housing
- Removable clip
- Built-in eraser

Great For...

- Framing to finish work
- General use
- Red crayons great for tile & concrete

Patent Pending

Description	Part Number	Price
The FatBoy Pencil	FATBOY PENCIL	\$16.45
Replacement Lead (5) & Erasers (3)	FATBOY REFILL	\$4.40
FatBoy Red crayons 5pk	FATBOY RED REFILL	\$4.40



Pocket Dust Mask™



Collapses to fit in a resealable & reuseable bag



Adjustable nose piece

Easy breathe exhale valve

N95
NIOSH Rated

Features...

- Easy breathe exhale valve
- Extra thick straps
- Comfortable, hygienic material
- Hand-washable for reuse

Great for...

- Non-toxic, general purpose jobs
- Keeping your safety glasses clear
- Always on you when you need it

Patent Pending

Description	Part Number	USD
MXV Pocket Dust Mask	MXV-POCKET1PC	\$3.30
MXV Pocket Dust Mask (10 pack)	MXV-POCKET10PK	\$19.80

Indianapolis, IN
(317) 353-6281

Maywood, IL
(708) 343-1515

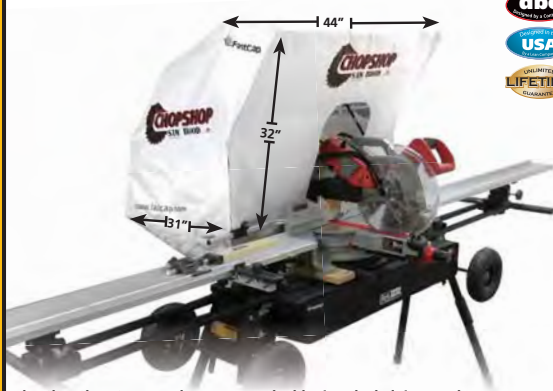
Rockford, IL
(815) 968-0921

Twin Cities, MN
(651) 407-2800

FastCap® ...Lean Innovations that Change the World

Aetna Plywood Inc.

Saw Hood™



The ChopShop Saw Hood saves you valuable time, by helping you keep your work area clean. This innovative product is easy to set up and eliminates billowing dust throughout your customer's home.

Features...

- Easy to set up and take down
- Connects to accessory holes
- Waterproof

Great for...

- Miter saws
- Tile saws
- Mess-free shop and jobsite

Inventor, Marc Urban US Patent 8,006,727 Other Patents Pending

Description	Part Number	Price
ChopShop Saw Hood	SAWHOOD WHITE	\$141.90

Saw Hood PRO™



The Saw Hood PRO takes all the features of the Saw Hood to the next level. The integrated dust cover and cornerless design ensure 95% of dust is contained. Spring frame construction allows you to compact the entire hood into the included 22" carrying bag. Waterproof and guaranteed for life.

Features...

- Easy to set up and take down
- Connects to accessory holes
- Drawing dust funnel

- Collapses into 22" bag
- Waterproof
- Aluminum arms & HD hardware

US Patent 8,006,727 Other Patents Pending

Description	Part Number	Price
ChopShop Saw Hood PRO	SAWHOOD PRO	\$179.00

LED Saw Hood Light™



The LED Saw Hood Light allows you to illuminate your saw or work area. It can easily be attached to either the Saw Hood or Saw Hood Pro using the two S-hooks provided. The light can hang vertically or horizontally, making it perfect for any situation.

Great for...

- Illuminating**
- Saw Hood
 - Doorways
 - Work Spaces

Features...

- Compatible with Saw Hood & Saw Hood Pro
- 33" in length with an extra long 25ft cord
- 180 Ultra bright LEDs - 18 watts
- Hangs Horizontally or Vertically

Patent Pending

Description	Part Number	Price
LED Saw Hood Light	SAW HOOD LED LIGHT	\$99.99

Zero Clearance Tape™



Zero Clearance Tape brings a whole new level of precision to your miter saw. Simply apply over the throat of your saw to eliminate chip out and create an exact reference for line up. Made from durable PVC, they will last for many jobs.

Features...

- Universal fit - 2" x 16" strips
- Eliminates chipped boards
- Line up marked boards with the exact blade edge

Patent Pending

Description	Part Number	Price
Zero Clearance Tape (5 pack)	ZERO CLEAR TAPE	\$5.00

Indianapolis, IN
(317) 353-6281

Maywood, IL
(708) 343-1515

Rockford, IL
(815) 968-0921

Twin Cities, MN
(651) 407-2800

Safety & Shop Supplies



FastCap® ...Lean Innovations that Change the World

Aetna Plywood Inc.

Pocket Chisels™

The original foldable chisels



Kit only
\$109⁹⁵
\$30 Savings!

Buy them individually or in a kit!

Stays **sharper longer!**



Pocket Diamond Sharpener - 300/600 grit



Pocket Putty Knife



Pocket Combo Putty Knife



Pocket Chisel 1" Blade



Pocket Chisel 3/4" Blade



Pocket Chisel 1/2" Blade



Pocket Chisel 1/4" Blade

The original Pocket Chisel is made of precision tool steel and has a heavy duty nylon handle that locks when opened and will stay locked so that you can hammer the hell out of it.

Inventor of the Pocket Chisel, Paul Galusha

Patent Pending

Description	Part Number	Price
Pocket Chisel Kit	PC-KIT	\$109.95
Pocket Diamond Sharpener	PC-DIAMOND SHARPENER	\$29.95
Pocket Putty Knife	POCKET PUTTY KNIFE	\$10.00
Pocket Combo Putty Knife	POCKET COMBO PUTTY	\$10.00
Pocket Chisel 1" Blade	PC-1 POCKET CHISEL	\$19.95
Pocket Chisel 3/4" Blade	PC-3/4 POCKET CHISEL	\$19.95
Pocket Chisel 1/2" Blade	PC-1/2 POCKET CHISEL	\$19.95
Pocket Chisel 1/4" Blade	PC-1/4 POCKET CHISEL	\$19.95
Hard shell case (Green)	PC-CASE	\$10.00



2P-10™ Adhesive



Thin

- Excellent for filling micro cracks
- Zero glue line

Medium

- For use on smooth surfaces such as laminate
- Excellent for filling medium cracks

Thick

- For use on porous surfaces such as particle board

Most Popular

- Will not run, great for vertical surfaces
- All purpose application

2P-10 Mini Kit

- 1oz Glue
- 1oz Activator

2P-10 Solo Kit

- 2.25oz Thick
- 12oz Activator

2P-10 Kit

- 2.25oz Thin, Med, Thick & Jel
- 2oz Activator and Debonder
- 5 Microtips, 1 Pump Spray & 2 Brushes

2P-10 is a two-part ten-second adhesive. Just apply the adhesive, then spray the activator and stick it together for a strong, permanent bond. Its greatest benefits are its speed and strength.

Features...

- Easy to sand within 60 sec.
- Dries crystal clear
- 4000 PSI tensile & shear

Rubber Toughened:

- Thick & Jel viscosity
- Rubber provides elasticity to joints
- 10% stronger than standard 2P-10

Great Starter Kits

Patent Pending

Description	Part Number	USD
2P-10 Solo Kit	2P-10 SOLOKIT	\$18.00
2P-10 1oz Glue & Activator starter kit	2P-10 MINI KIT	\$11.95
2P-10 2.25oz Kit	2P-10 KIT	\$30.00

2.25 oz. Refills

Description	Part Number	USD
2P-10 2.25oz Thin	2P-10 THIN 2 OZ	\$8.00
2P-10 2.25oz Medium	2P-10 MED 2 OZ	\$8.00
2P-10 2.25oz Thick	2P-10 SOLO THICK 2 OZ	\$8.00
2P-10 2.25oz Jel	2P-10 JEL 2OZ	\$10.00
2P-10 2oz Debonder	2P-10 DEBONDER	\$8.00
2P-10 2oz Activator	2P-10 ACT 2 OZ	\$8.00

For High Production Use

Description	Part Number	USD
2P-10 10oz Thin	2P-10 THIN 10 OZ	\$29.00
2P-10 10oz Medium	2P-10 MED 10 OZ	\$29.00
2P-10 10oz Thick	2P-10 SOLO THICK 10 OZ	\$29.00
2P-10 10oz Jel	2P-10 JEL 10 OZ	\$39.00
2P-10 10oz Jel Tube for caulking guns	2P-10 JEL TUBE	\$39.99
2P-10 12oz Activator	2P-10 SOLO ACT 12 OZ	\$12.00

Rubber Toughened

Description	Part Number	USD
2P-10 Jel Rubber Toughened 2.25 OZ	2P-10 RT JEL 2.25 OZ	\$12.00
2P-10 Jel Rubber Toughened 10 OZ	2P-10 RT JEL 10 OZ	\$47.99
2P-10 Thick Rubber Toughened 2.25 OZ	2P-10 RT THICK 2.25 OZ	\$9.60
2P-10 Thick Rubber Toughened 10 OZ	2P-10 RT THICK 10 OZ	\$35.99

Indianapolis, IN
(317) 353-6281

Maywood, IL
(708) 343-1515

Rockford, IL
(815) 968-0921

Twin Cities, MN
(651) 407-2800

FastCap® ...Lean Innovations that Change the World

Aetna Plywood Inc.

ProCarpenter™ Tape Measures

7 Innovative Features



The ProCarpenter Tape Measures are developed with 7 great innovative features: Lever action belt clip, Pencil sharpener, Dual locking system, Erasable notepad, Heavy-duty, 1" blade, High-contrast tape and Rugged compact design.



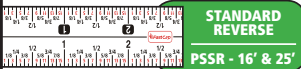
OLD STANDBY STANDARD
PS - 16', 25' & 30'

The Old Standby features standard measurements in large, easy to read numbers.



STANDARD STORY POLE
PSSP - 16' & 25'

The Story Pole features a blank edge on the blade for writing and standard measurements on the other edge.



STANDARD REVERSE
PSSR - 16' & 25'

The Standard/Standard Reverse features standard measurements that are readable from the right or left hand.



METRIC STANDARD
PMS - 12', 16' & 25'

The PMS features metric and standard measurements identifying increments down to 1/16" and millimeter.



TRUE 32 METRIC REVERSE
PMMR-TRUE32 - 16'

The Metric/Metric Reverse features metric measurements that are readable from the right or left hand.



*Does not feature pencil sharpener or dual lock

Patent Pending

Description	Part Number	Price
Old Standby 16', 25' & 30'	PS-16	\$8.75
	PS-25	\$12.05
	PS-30	\$13.15
Standard Story Pole 16' & 25'	PSSP-16	\$8.75
	PSSP-25	\$12.05
Standard Reverse 16' & 25'	PSSR-16	\$8.75
	PSSR-25	\$12.05
Metric/Standard 12', 16' & 25'	PMS-12	\$7.65
	PMS-16	\$8.75
	PMS-25	\$12.05
True 32 Metric Reverse 5M	PMMR-TRUE32	\$8.75

AutoLock™ Tape Measure



The ProCarpenter AutoLock tape measure has all the features of the original ProCarpenter, plus the autolock and super-ergonomic design. Simply pull the blade out and it stays in place then push the release button to retract the blade.

Patent Pending

Description	Part Number	Price
Standard/Metric AutoLock (PMS)	PMS-16 AUTOLOCK	\$10.95
Lefty/Righty AutoLock (PSSR)	PSSR-16 AUTO	\$10.95

Burn One™ Tape Measure



The Burn One Tape Measure was designed to prevent you from making simple math mistakes when measuring. The blade has two inches of blank space followed by a zero line giving you complete accuracy without the need to subtract inches.

Features...

- Burn space at the beginning of the scale
- Zero line for absolute precision
- Easy to grab hook

Great for...

- Contractors
- Cabinetmakers
- Homeowners

Patent Pending

Description	Part Number	Price
Burn One Standard 16'	PS-BURN1	\$8.75
Burn One Standard/Metric Flatback 16'	PMS FLAT 16 BURN 1	\$8.75

Indianapolis, IN
(317) 353-6281

Maywood, IL
(708) 343-1515

Rockford, IL
(815) 968-0921

Twin Cities, MN
(651) 407-2800

Safety & Shop Supplies



FastCap® ...Lean Innovations that Change the World

Aetna Plywood Inc.

HOD™ Handle on Demand™



HOD's do not work on raw wood, uneven, porous or dirty surfaces

Stop straining your back trying to lift heavy stuff... suck it up! With our HOD, (Handle on Demand) single or double, just fasten the suction pads to any non-porous surface and move it, lift it, place it, transport it with ease.

Features...

- Heavy duty design
- Amazing suction holding power
- Lever locks for security

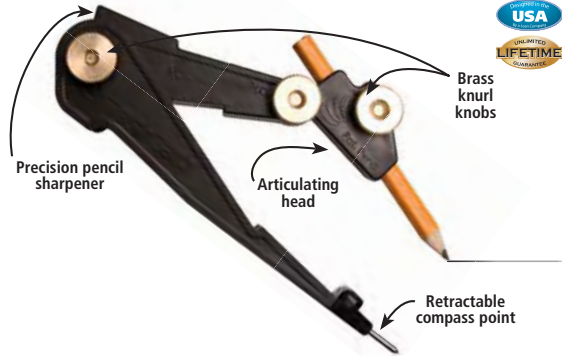
Great For...

- Cabinets
- Glass
- Countertops



Description	Part Number	Price
Handle on Demand Single	HOD-SINGLE	\$8.75
Handle on Demand Double	HOD-DOUBLE	\$12.05

AccuScribe Pro™



The AccuScribe Pro makes it easy to maintain a consistent scribe offset, staying parallel to the object surface every time. It is ideal for flooring, counter tops, scribing trim on cabinets and more.

Features...

- Flat bottom for precise marking
- Retractable compass point
- Built-in pencil sharpener

Great for...

- Making a radius
- Marking gauge
- Scribing



Description	Part Number	Price
AccuScribe Pro	ACCUSCRIBE PRO	\$18.00

FastBreak™



Our FastBreak sanders uniformly break both edges on sharp melamine, edgebanding and hardwood material in just one pass. For larger panel stock the FastBreakXL will sand up to 2-3/8".

Features...

- Break both edges in one pass
- Comes with 80 & 180 grit
- Convenient sandpaper storage

Great For...

- Melamine
- Edgebanding
- Doors (FastBreakXL)



Description	Part Number	Price
FastBreak	FASTBREAK	\$7.70
FastBreak XL for larger panel stock	FASTBREAK LARGE	\$16.50
Sandpaper 180GRIT - 10 pc	FB.180GRIT.10PC	\$4.40
Sandpaper 80GRIT - 10 pc	FB.80GRIT.10PC	\$4.40

FlushMount Drill Bit System™



There are 3 sizes of carbide cutters with an 1/8" pilot bit. All 3 bit cutters are interchangeable with the FlushMount housing.

Three Sizes



The FlushMount Drill Bit System incorporates a unique ball bearing stop collar that controls the recess depth of the drill and allows the stop collar to stop spinning when it comes in contact with the surface.

Features...

- Carbide cutter 3/8", 9/16" and 18mm
- Micro depth adjustment
- Adjustable 1/8" pilot bit

Great for...

- Countersinking Fastcaps
- Countersink PowerHead Screws
- Recessing magnets

Description	Part Number	Price
FlushMount System with 9/16" Cutter	FC.DB.CB.9/16.MICRO	\$55.00
3/8" Carbide Cutter	FC.DB.3/8	\$19.80
9/16" Carbide Cutter	FC.DB.9/16	\$20.90
18mm Carbide Cutter	FC.DB.18MM	\$22.00
1/8" Pilot Bit Replacement	FC.DB.MC.INNERBIT	\$5.50

Indianapolis, IN
(317) 353-6281

Maywood, IL
(708) 343-1515

Rockford, IL
(815) 968-0921

Twin Cities, MN
(651) 407-2800



Respirators

Halfpiece – 7500 Series

This facepiece was designed with the wearer in mind. Its soft sealing surface, along with a uniquely designed, 3M™ Cool Flow™ Exhalation Valve, enhances wearer comfort and face fit. Maximized comfort in air purifying respirators means not only easy breathing filters and cartridges, but also a soft comfortable facepiece. Half facepiece air purifying respirator users can now experience state-of-the-art features that help provide unsurpassed comfort. Reusable. 10 per case.

Note: Does not include filters or respiratory cartridges.

Product Code	Size	List	Each	Case
75-30-058	Small	\$34.73	\$26.46	\$24.70
75-30-059	Medium	34.73	26.46	24.70
75-30-060	Large	34.73	26.46	24.70

Particulate Filters

NIOSH approved for environments containing certain non-oil based particles. Use with 3M™ Respirators 5000 Series or 3M™ Cartridges 6000 Series, and 3M™ Filter Retainer 501. When properly fitted, use with appropriate cartridges for various applications including spray painting, petrochemical and chemical manufacturing, and pesticide spraying for concentrations up to 10 times the Permissible Exposure Limit (PEL) with half facepieces or 50 times PEL with full facepieces. Full facepieces must be quantitatively fit tested to claim assigned protection factor above 10 in negative pressure mode. Do not use for aerosols containing oil or in environments that are immediately dangerous to life or health (IDLH). 10 per box; 100 boxes per case.



Product Code	Model	Rating	List	Box	Case
75-30-064	5N11	N95	\$18.98	\$14.45	\$13.49
75-30-065	5P71	P95	22.46	17.10	15.96

Respirator Cartridges

Sold in pairs; 30 pairs per carton.

No. 75-30-062. NIOSH approved against certain organic vapors. Use with 3M™ Half and Full Facepieces 6000 Series and 3M™ Half and Full Facepieces 7000 Series with bayonet style cartridge holders. Use in a variety of workplace applications, including petrochemical, chemical manufacturing, construction, transportation and electronics. When properly fitted, helps provide respiratory protection from certain organic vapors at concentrations up to 10 times the Permissible Exposure Limit (PEL) with half facepieces or 50 times PEL with full facepieces. Full facepieces must be quantitatively fit tested to claim assigned protection factor above 10 in negative pressure mode. Not for use in environments that are immediately dangerous to life or health (IDLH).

No. 75-30-063. NIOSH approved against certain organic vapors, acid gases, ammonia, methylamine or formaldehyde. Use with 3M™ Half and Full Facepieces 6000 Series and 3M™ Half and Full Facepieces 7000 Series with bayonet style cartridge holders. Use in a variety of applications, including petrochemical and chemical processing, utilities, pharmaceuticals, mining and primary metals. When properly fitted, helps provide respiratory protection from certain organic vapors, chlorine, hydrogen chloride, sulfur dioxide, chlorine dioxide, hydrogen sulfide (escape only), ammonia, methylamine, formaldehyde or hydrogen fluoride at concentrations up to 10 times the Permissible Exposure Limit (PEL) with half facepieces or 50 times PEL with full facepieces. Full facepieces must be quantitatively fit tested to claim assigned protection factor above 10 in negative pressure mode. Not for use in environments that are immediately dangerous to life or health (IDLH). OSHA requires that gas-proof goggles be worn with half facepiece respirators when used against formaldehyde.



Product Code	Model	Desc.	List	Each	Case
75-30-062	6001	Organic vapor	\$14.16	\$10.78	\$10.06
75-30-063	6006	Multi Gas/vapor	15.17	11.56	10.79

Filter Retainer

Used to hold 3M™ Particulate Filters 5N11 and 5P71/07194(AAD) in place on top of 3M™ Respirators 5000 Series and 3M™ Cartridges 6000 Series. 100 per case.



Product Code	Description	List	Each	Case
75-30-061	Filter retaining clip ring	\$2.55	\$1.94	\$1.81





Particulate Respirators

8210

Is designed to help provide comfortable, reliable worker protection against certain non-oil based particles. Its lightweight construction helps promote greater worker acceptance and comfort and increased wear time. Workplace applications include grinding, sanding, sweeping, bagging and other dusty operations. This respirator features 3M's Advanced Electret Media (AEM), welded strap attachment, soft nose foam and adjustable noseclip to help provide a custom fit and secure seal. 20 per box; 8 boxes per case.

Product Code	Rating	List	Box	Case
75-30-001	N95	\$22.34	\$17.01	\$15.88

Particulate Respirators

12 boxes per case.



No. 75-30-002. NIOSH approved for environments containing certain oil and non-oil based particles. When properly fitted, use in a variety of applications including welding, brazing, torch cutting, metal pouring, soldering, and exposure to lead, asbestos, cadmium, arsenic, and MDA for concentrations up to 10 times the Permissible Exposure Limit (PEL). Do not use in environments that are immediately dangerous to life or health (IDLH).

No. 75-30-005. Is a breakthrough in comfort and convenience. This three-panel respirator with innovative design is ideally suited for work settings that involve heat, humidity, or long periods of wear. Suggested applications include grinding, sanding, sweeping, bagging, and other operations that create dust. Uses would also include solids such as those from textile operations, dry chemical handling, surface preparation, food preparation and handling, woodworking, grain handling and milling, processing of minerals, and certain other substances. It features a low profile collapse resistant design, 3M™ Cool Flow™ Exhalation Valve, and a soft nose foam pad. Respirators are individually packaged to help prevent contamination during storage.

Product Code	Model	Box Qty.	List	Box	Case
75-30-002	9210	20	\$32.22	\$24.55	\$22.91

Particulate Respirators



No. 75-30-004. Is uniquely designed to help provide protection against certain non-oil based particles. It is ideally suited for work settings that involve heat, humidity, or long periods of wear. Workplace applications include grinding, sanding, sweeping, bagging and other dusty/hot operations. It features the 3M™ Cool Flow™ Exhalation Valve, braided headbands, soft inner materials, and adjustable M-noseclip to help provide a custom fit and secure seal. 10 per box; 8 boxes per case.

No. 75-30-007. Is designed to help provide comfortable, reliable worker protection against certain oil and non-oil based particles including those present with nuisance levels of organic vapors such as solvents, degreasers and resins. An excellent choice for work settings that involve heat, humidity and long wear periods. Suggested applications include foundry operations, lab settings, agriculture, petrochemical manufacturing and undercoating. It features the 3M™ Cool Flow™ Exhalation Valve for cool, dry comfort, and M-noseclip to help provide a custom fit and secure seal. 10 per box; 8 boxes per case.

Product Code	Model	Rating	List	Box	Case
75-30-004	8511	N95	\$26.22	\$19.98	\$18.65
75-30-007	8577	P95	56.78	43.26	40.37

Safety Glasses

Visitor Specs – 1611 Series



Economical alternative for short term eye protection. Can be worn alone or over prescription glasses. Polycarbonate Lens reduces UVB and UVA radiation from natural sunlight by 99%. Clear. Meet the requirements of the Standard for Occupational and Educational Eye and Face Protection ANSI Z87.1-2003. Usually used by plant visitors. 12 per case.

Product Code	Description	List	Each	Case
75-30-022	Visitor specs	\$2.08	\$1.91	\$1.78



Earmuffs

Durable, lightweight, easy-to-use general purpose ear muffs feature multi-position ear cups mounted on a wide, forked headband for comfort and a secure fit. Roomy, durable ear cups help provide a reliable fit. Soft sealing cushions provide a consistent ear cup seal. Recommended for moderate noise (up to 95 dBA TWA). Noise Reduction Rating (NRR): 23 dB.

Product Code	Model	Description	List	Each	Case
75-30-016	1435	Adjustable headband	\$15.96	\$12.85	\$12.00



Earmuffs

Three Position

A combination of outstanding performance with remarkable versatility. The rotating headband may be worn in three different positions to enhance comfort and convenience. Recommended for moderate to high noise (up to 100dBA TWA). The padded headband and adjustable head strap make it easy to obtain a comfortable fit with the headband under the chin, over the head or behind the head.

Product Code	NRR	Case Qty.	List	Each	Case
75-30-021	27 dB	20	\$15.36	\$12.38	\$11.56



Foam Earplugs

Recommended for moderate to high noise (up to 100 dBA TWA). Soft, foam ear plugs that conform to the unique shape of each ear for excellent hearing protection and comfort. Noise Reduction Rating (NRR): 29 dB. Pair.

Product Code	Model	Description	Case Qty.	List	Each	Case
75-30-010	1100	Uncorded	200	\$0.20	\$0.17	\$0.14
75-30-013	1110	Corded	100	0.41	0.31	0.29

**Phone or FAX
your order today!!**





Latex Gloves

Powder free. 100 per box.

Product Code	Size	List	1-9	10+
75-42-141	Medium	\$18.04	\$10.31	\$9.62
75-42-142	Large	18.04	10.31	9.62
75-42-143	X-Large	18.04	10.31	9.62



Nitrile Gloves

Powder free. 6.5 mil thick. 100 per box.

Product Code	Size	List	1-9	10+
75-42-146	Medium	\$20.50	\$11.27	\$10.57
75-42-147	Large	20.50	11.27	10.57
75-42-148	X-Large	20.50	11.27	10.57

Paint Preparation Systems

PPS™

For mixing and preparing paint or other finishes prior to spraying.



Product Code	Description	Box Qty.	Case Qty.	List	1-3	4+
75-30-009	Mini intro kit	50	1	241.37	171.64	160.91
75-30-056	Mini lids and liners, 6 oz.	50	1	117.83	89.02	83.46
75-30-030	Medium lids and liners, 650ml	50	1	153.57	116.03	108.78
75-30-032	Large lids and liners, 850ml	25	1	90.47	68.36	64.08
75-30-034	Medium/Large liner dispenser	1	1	127.74	90.83	85.16
75-30-035	Medium/Large lid dispenser	1	1	127.74	90.83	85.16
75-30-008	Large H/O cup & collar	1	2	97.56	74.33	69.37
75-30-057	Mini cups and collars, 6 oz.	2	4	35.78	27.03	25.34
75-30-031	Medium cups and collars, 650ml	2	4	46.67	35.26	33.06
75-30-033	Large cups and collars, 850ml	1	4	29.48	22.26	20.87
75-30-036	Type 2 gun adapter	1	4	19.29	13.72	12.86
75-30-038	Type 5 gun adapter	1	4	20.07	14.27	13.38
75-30-039	Type 6 gun adapter	1	4	20.07	14.27	13.38
75-30-042	Type 9 gun adapter	1	4	20.07	14.27	13.38
75-30-043	Type 10 gun adapter	1	4	39.78	28.29	26.52
75-30-045	Type 12 gun adapter	1	4	19.29	13.72	12.86
75-30-046	Type 14 gun adapter	1	4	19.29	13.72	12.86
75-30-047	Type 15 gun adapter	1	4	20.07	14.27	13.38
75-30-049	Type 18 gun adapter	1	4	36.30	25.81	24.20
75-30-054	Type 23 gun adapter	1	4	20.07	14.27	13.38



Masking Tape

Lacquer – Scotch®



This tape can be removed cleanly for up to 3 days. It features very high adhesion and is designed for use with lacquer coatings or cool temperatures. It is also ideal for rough surfaces such as stucco, concrete and brick. 60 yard length.

Product Code	Width In.	Case Qty.	List	Roll	Case
75-34-013	3/4	48	\$2.97	\$2.25	\$2.11
75-34-015	1	36	4.16	3.14	2.94
75-34-017	1-1/2	24	6.23	4.70	4.41
75-34-020	2	24	8.28	6.25	5.86

Masking Tape

Highland™



A general purpose masking tape for holding, bundling, sealing, paint masking and a vast number of other jobs where a paper masking tape is needed. Tape 2307 is typically used at room temperature but will function up to 200° F (93° C). Natural. 60 yard roll.

Product Code	Width In.	Case Qty.	List	Each	Case
75-34-037	3/4	48	\$3.09	\$2.33	\$2.19
75-34-039	1	36	3.86	2.91	2.73
75-34-041	1-1/2	24	5.78	4.36	4.09
75-34-043	2	24	7.70	5.82	5.45

Masking Tape

Solvent-Resistant – Scotch®



Delivers excellent, conformable adhesion with high holding power. A strong backing reduces tearing. Use with most solvent-based and lacquer coatings to produce an excellent tape line. Ideal for use in cool temperatures. 60 yard length.

Warning: Do not use on easily damaged surfaces, such as: wall paper, wallboard, ceiling tile, uncured coatings or other delicate surfaces. Not for extended outdoor use.

Product Code	Width In.	Case Qty.	List	Roll	Case
75-34-029	3/4	48	\$4.08	\$3.08	\$2.89

Painters' Tape

Scotch-Blue™



This tape removes cleanly without adhesive transfer or surface damage for up to 14 days, even in direct sunlight. It is a medium adhesion tape that is ideal for painted walls and trim, woodwork, glass and metal. 60 yard length.

Product Code	Width In.	Case Qty.	List	Roll	Case
75-34-005	3/4	48	\$3.84	\$2.90	\$2.72
75-34-007	1	36	5.12	3.87	3.63
75-34-009	1-1/2	24	7.68	5.80	5.44
75-34-011	2	24	10.25	7.74	7.26





Box Sealing Tape

Scotch®

Polypropylene tape for single-wall, low burst strength RSCs with high weight contents. More than 3,000 minutes adhesion to fiberboard. Tensile strength of 22 lb/inch in machine direction; 44 lb/inch cross direction. Pressure-sensitive rubber resin adhesive to instantly seals cartons. Biaxially oriented polypropylene backing is easy to handle and dispense. Resists abrasion, moisture, chemicals, and scuffing. Conforms around edges and over rough surfaces for a tight seal. Good edge tear and split resistance. Complies with environmental considerations of ASTM D1974-92. Clear. 2" W x 1.9 mil thick. 36 per case.

Product Code	Lgth. Yd.	List	Roll	Case
75-34-001	60	\$3.02	\$2.27	\$2.13
75-34-010	120	2.72	2.05	1.92



Tape Dispensers

Box Sealing – Tartan™

Easy to use, refillable, one hand box sealing tape dispenser. Has an adjustable braking mechanism. Holds tape up to 2 inches wide on a 3 inch core. 24 per case.

Note: Does not include tape.

Product Code	Description	List	Each	Case
75-34-002	Tape dispenser	\$11.97	\$9.04	\$8.48

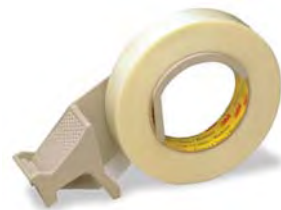


Filament Tape

Utility – Tartan™

Transparent polypropylene film backing reinforced with glass yarn filaments. Light-duty tensile strength, nick resistance, abrasion resistance and good handling for utility bundling, reinforcing, and pallet unitizing applications. Clear. 48 per case.

Product Code	Dimensions W x L x Thick.	List	Each	Case
75-34-061	3/4" x 60 yd. x 4 mil	\$4.13	\$3.15	\$2.94



Tape Dispensers

Filament Tape – Scotch®

Features a hand brake in the core that allows operator to add tension for tighter box reinforcement and bundling applications. Made from high-impact, durable plastic. Handles filament tapes up to 1 inch (24 mm) wide. 6 per case.

Note: Does not include tape.

Product Code	Description	List	Each	Case
75-34-062	Tape dispenser	\$32.31	\$24.61	\$22.97



Duct Tape

Heavy-Duty

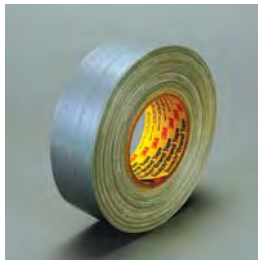


Typical physical and performance characteristics include adhesion to steel: 55 oz/in width; tensile strength: 25 lb/in width; elongation at break: 17%; temperature use range: Up to 200°F (93° C) for one hour. Measures 2" W x 60 yd. L. Silver. 24 per case.

Product Code	Grade	Thickness Mil	List	Roll	Case
75-34-050	Premium	10.5	\$21.20	\$16.02	\$15.01
75-34-051	Economy	9	13.95	10.54	9.88

Duct Tape

General Purpose



393 Silver

Typical physical and performance properties include adhesion to steel: 56 oz./in. width; tensile strength: 22 lbs/in width; elongation at break: 15%; thickness: 7.7 mils; temperature use range: up to 200°F (93°C). Measures 2" W x 60 yd. L. 24 per case.

Product Code	Color	List	Roll	Case
75-34-055	Silver	\$9.75	\$8.20	\$7.75
75-34-056	Olive	9.75	8.20	7.75
75-34-058	Black	9.75	8.20	7.75

Aluminum Foil Tape



425 Silver

4.6 mil (0.12mm), dead-soft aluminum foil tape with a pressure sensitive acrylic adhesive. Excellent heat and light reflection to protect against high temperatures and U.V. degradation. The foil also serves as an excellent barrier against moisture, dust, flame, and certain chemicals as used in aircraft paint stripping and masking. Acrylic adhesive supplies superior temperature, U.V. and solvent resistance. It provides excellent age life and is ideal for harsh, long-term outdoor environments. Meets F.A.R. 25.853(a), O447. 24 per case.

Product Code	Dimensions W x L	List	Roll	Case
75-34-063	2" x 60 yd.	\$72.95	\$55.57	\$51.87

Aluminum Foil Tape

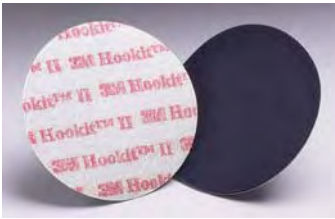
High Temperature – 433 Silver



3.6 mil (0.09mm), aluminum foil backing with pressure sensitive silicone adhesive. Used in many high temperature applications, performing up to 600°F (316°C). Good holding, splicing, patching or general protection tape. Meets F.A.R. 25.853 (a). 24 per case.

Product Code	Dimensions W x L x Thick.	List	Roll	Case
75-34-052	2" x 60 yd. x 3.6 mil	\$208.77	\$147.37	\$139.18





Interface Pads

A conversion face 6 inches in diameter that converts an existing Hookit™ disc pad to a Hookit™ II disc pad. This accessory can be used for applications where the existing disc pad accessories are designed for the original Hookit materials.

Product Code	Description	Diameter In.	Case Qty.	List	Each	Case
75-51-415	Hookit II to Scotch-Brite	5	5	\$10.40	\$8.44	\$7.88
75-51-413	Hookit to Scotch-Brite	5	5	10.25	7.56	7.05
75-51-414	Hookit to Scotch-Brite	6	5	12.98	9.57	8.93
75-51-412	Hookit to Hookit II	6	10	9.12	6.51	6.08



Disc Pads

No Holes – Hookit™

For use with 5 inch diameter Hookit™ discs. Made with a resilient backing plate assembly and a medium density foam for durability. Fits random orbital sanders with 5/16-24 internal thread. 10 per case.

Product Code	Dimensions In. Dia. x H	Max. RPM/OPM	List	Each	Case
75-51-327	5 x 3/4	12,000	\$26.06	\$19.85	\$18.53



Disc Pads

Dust Free – Hookit™

5-Hole design for use with 5" Hookit™ dust-free discs. Has medium density foam and a 45 degree tapered edge for flexibility. Use with random orbital sanders with 5/16-24 internal threads. 10 per case.

Product Code	Dimensions In. Dia. x H	Max. RPM/OPM	List	Each	Case
75-51-328	5 x 3/4	12,000	\$28.36	\$23.64	\$22.46

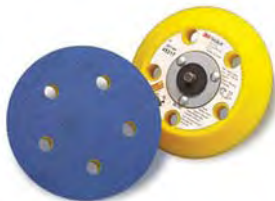


Disc Pads

No Holes – Stikit™

For use with 5 inch diameter Stikit™ discs. Has medium density foam and a 45 degree tapered edge for flexibility. These lightweight, shock-resistant pads have a vinyl face (blue) that provides excellent disc adhesion yet allows quick, easy removal. 5/16"-24 thread. 10 per case.

Product Code	Dimensions In. Dia. x H	Max. RPM/OPM	List	Each	Case
75-51-323	5 x 3/4	10,000/12,000	\$22.71	\$17.30	\$16.15



Disc Pads

Stikit™

Designed with a tough durable foam body for long pad life. Pad has 45 degree tapered edge for ease of sanding on contoured surfaces. Max 10,000 RPM. Measures 6" dia. x 3/4" thick. 5/16"-24 thread. Blue. 10 per case.

Product Code	Description	List	Each	Case
75-51-334	6 Holes	\$22.00	\$18.08	\$17.18



Clean Sanding Pads

Product Code	Description	Dimensions In. Dia. x H	No. Holes	Case Qty.	List	Each	Case
75-41-104	Hook saver	5 x 3/4	44	20	\$3.87	\$3.18	\$2.76
75-41-107	Low profile	5 x 3/8	44	10	44.14	39.68	25.87
75-41-108	Low profile	6 x 3/8	52	10	47.83	43.00	28.03

Disc Hand Pads

Stikit™

Constructed of neoprene rubber with a nylon cloth face and an elastic hand band on the back. Designed to securely hold the disc, but allow easy removal. Features blue cloth face. 20 per case.



Product Code	Dimensions In. Dia. x Thick.	List	Each	Case
Stikit™				
75-43-387	5 x 1/8	\$7.22	\$5.49	\$5.13
75-43-001	5 x 1/4	9.03	6.88	6.42
75-43-386	6 x 1/4	10.91	8.31	7.76
Hookit™				
75-43-003	5 x 1	21.77	16.58	15.48
75-43-008	6 x 1/4	18.47	14.06	13.13

Sanding Blocks

Stikit™

Carry their own abrasive supply. Sand corners with flat end; sand contours with rounded end. For fresh abrasive, lift sandpaper, pull from feed roll, press to cushioned backup pad, then tear off used paper. 6 per case.



Product Code	Width In.	List	Each	Case
75-63-065	2-1/2	\$15.08	\$11.49	\$10.72
75-63-075	3-1/4	21.83	16.63	15.52

Hand Pad Holders

Twist-Lok™ – Scotch-Brite™

Specially designed for use with Scotch-Brite™ hand pads to make clean-up jobs faster, easier, and safer. Distributes pressure evenly over pad surface for efficient cleaning action and improved pad life.



Product Code	Dimensions In. L x W	List	1-4	5+
75-69-014	4-3/4 x 3-1/2	\$7.20	\$5.48	\$5.12



PRACTICAL PRODUCTS CO.

Belt Cleaners

NuLife



Rubberized block removes clogging when firmly held against running belts or discs. Restores cutting ability, extends abrasive life.

Note: Not for use on wide belts or conveyor-type sanders.

Product Code	Dimensions In. L x W x D	Case Qty.	Case		
			List	Each	Case
75-69-101	8 x 2 x 2	25	\$17.90	\$10.23	\$9.55

FAMOWOOD®

Wood Fillers

Water-Based



Suitable for professional and home use, indoors or outdoors. Can be stained, drilled, nailed and sanded. No significant cracking or shrinking. Spreads smooth. Cleans up with water and does not emit solvent fumes. 12 per case.

Product Code	Description	List	Each	Case
1/4 Pint				
75-68-200	Golden Oak	\$5.62	\$3.20	\$2.99
75-68-201	Natural	5.62	3.20	2.99
75-68-202	Red Oak	5.62	3.20	2.99
75-68-203	Birch	5.62	3.20	2.99
75-68-204	Cherry/Dark Mahogany	5.62	3.20	2.99
75-68-205	White Pine	5.62	3.20	2.99
75-68-206	Fir/Maple	5.62	3.20	2.99
75-68-207	White	5.62	3.20	2.99
75-68-208	Oak	5.62	3.20	2.99
75-68-209	Walnut	5.62	3.20	2.99
Pint				
75-68-215	Golden Oak	11.06	6.29	5.88
75-68-216	Natural	11.06	6.29	5.88
75-68-217	Red Oak	11.06	6.29	5.88
75-68-218	Birch	11.06	6.29	5.88
75-68-219	Cherry/Dark Mahogany	11.06	6.29	5.88
75-68-220	White Pine	11.06	6.29	5.88
75-68-221	Fir/Maple	11.06	6.29	5.88
75-68-222	White	11.06	6.29	5.88
75-68-223	Oak	11.06	6.29	5.88
75-68-224	Walnut	11.06	6.29	5.88

FAMOWOOD®



Wood Fillers

Solvent-Based

Suitable for professional and home use, indoors or outdoors. Can be stained, drilled, nailed and sanded. No significant cracking or shrinking. Spreads smooth. 12 per case.

Product Code	Description	List	Each	Case
1/4 Pint				
75-68-230	Natural	\$5.74	\$3.27	\$3.06
75-68-231	Red Oak	5.74	3.27	3.06
75-68-232	Birch	5.74	3.27	3.06
75-68-233	Cherry	5.74	3.27	3.06
75-68-234	White Pine	5.74	3.27	3.06
75-68-235	Maple	5.74	3.27	3.06
75-68-236	White	5.74	3.27	3.06
75-68-237	Oak	5.74	3.27	3.06
75-68-238	Walnut	5.74	3.27	3.06
75-68-239	Mahogany	5.74	3.27	3.06
75-68-240	Ash	5.74	3.27	3.06
Pint				
75-68-249	Pine	11.52	6.30	5.93
75-68-250	Natural	11.52	6.30	5.93
75-68-251	Red Oak	11.52	6.30	5.93
75-68-252	Birch	11.52	6.30	5.93
75-68-253	Cherry	11.52	6.30	5.93
75-68-254	White Pine	11.52	6.30	5.93
75-68-255	Maple	11.52	6.30	5.93
75-68-256	White	11.52	6.30	5.93
75-68-257	Oak	11.52	6.30	5.93
75-68-258	Walnut	11.52	6.30	5.93
75-68-259	Mahogany	11.52	6.30	5.93
75-68-260	Ash	11.52	6.30	5.93



Solvents

For cleanup and smoothing of solvent-based wood fillers. 12 per case.

Product Code	Size	List	Each	Case
75-68-261	Pint	\$12.14	\$6.64	\$6.25
75-68-265	Quart	17.90	9.79	9.21



Tack Cloths

Wood Refinishers'

Removes dust, dirt, lint and other particles that settle on wood surfaces. Use it to prepare surfaces before applying the first coat of stain, finish or sealer and again between coats to obtain a super-smooth finish. White. 48 per case.

Product Code	Dimensions In.	List	Each	Case
75-80-002	17 x 36	\$1.70	\$1.26	\$1.17

Sealants

100% Silicone – Bostik® RTV

Provides long-life waterproof bond. For use on glass, wood, metals, plastics, rubber, marble, fiberglass, and construction applications. 10.5 oz. Meets FDA, MIL and California specifications. 12 per case.

Product Code	Color	List	Each	Case
75-43-410	Clear	\$15.58	\$8.90	\$8.30





Countertop Polish

Hope's Perfect Countertop

For use on laminate, solid surface (Corian), granite, stone, tile and most other nonporous surfaces. Not for use on flooring.

Product Code	Size Oz.	Case Qty.	List	Each	Case
75-69-048	22	12	\$10.60	\$6.06	\$5.47



Hope's Countertop Polish

For use on laminates and solid surface materials. Cleans, polishes and hides scratches. Nontoxic, non-abrasive, nonflammable.

Product Code	Size Oz.	Case Qty.	List	Each	Case
75-69-049	8	12	\$7.32	\$4.50	\$3.90



Lami Lube

The perfect spray on lubricant for routing all kinds of laminated plastics. Prevents burns and scratches by self-guiding cutter. Will hide and aid in preventing minor surface scratches on laminated plastics. Can be used on suede or smooth surfaces.

Product Code	Size Oz.	Case Qty.	List	Each	Case
75-69-016	10.5	12	\$9.60	\$5.36	\$5.00



Hexagonal

Protective Bumpers

Bumpon™

For use on cabinet doors and drawers, and as feet, stops or spacers. Adhesive backed polyurethane bumper.

Product Code	Color	Shape	Thickness In.	Pieces/ Sheet	Sheets/ Case	List	Sheet	Case
76-71-001	Light brown	Hexagonal	.08	132	23	\$4.85	\$3.73	\$3.46
76-71-004	Clear	Round	.2	56	54	4.46	3.43	3.18
76-71-007	Clear	Round	.085	144	21	12.29	9.45	8.78
76-71-022	Clear	Cylindrical	.14	56	90	4.59	3.53	3.28
76-71-027	Clear	Hexagonal cone	.12	132	38	7.08	5.45	5.06
76-71-030	Clear	Hemispherical	.15	132	38	7.22	5.55	5.15



Round



Hemispherical



Bearing Lubricants

Aerosol – Bostik®

Prevents rust and repels moisture, dust and dirt. For use on bearings, slides, rolling surfaces, paintable surfaces and power tools. Environmentally safe.

Product Code	Size Oz.	Case Qty.	List	Each	Case
75-69-095	5.5	12	\$20.34	\$11.19	\$10.49



Aerosol Lubricants

Bostik® BladeCoat® (DriCote)

Provides protection for blades, bits and other cutting tools. Reduces cutting friction and heat. Environmentally safe.

Product Code	Size Oz.	Case Qty.	List	Each	Case
75-69-096	11.5	12	\$25.66	\$14.11	\$13.23



Lubricants

Bostik® GlideCote® (TopCote)

Provides protection for blades, bits and other cutting tools. Reduces cutting friction and heat. Environmentally safe.

Product Code	Size Oz.	Case Qty.	List	Each	Case
75-69-097	11.5	12	\$25.42	\$13.98	\$13.10



Penetrating Lubricants

5-Way

Formulated with a silicone polymer. Will not freeze at minus 28°F (-33°C) or at 350°F (177°C). Lubricate moving parts, eliminate squeaks caused by friction, prevent sticking and freezing, protect against rust. Fast drying, long lasting! Ingredients listed under Food & Drug Administration Regulation Title 21 CFR 178.3570 and 181.28, Lubricants. Seals out moisture; preserves plastic, rubber, leather; helps prevent build up of glues, waxes, inks, paints, etc. 12 per case.

Product Code	Size Oz.	List	Each	Case
75-69-012	24	\$22.61	\$17.22	\$16.07



Cleaner/Degreasers

Citrus

Aerosol cleaner which can dissolve and flush away dirt, grease, tar, most non-curing type adhesive films, and similar substances. It is a citrus oil based cleaner that emulsifies when flushed with water. It contains no petroleum distillates. Can be used to clean and degrease metal parts, motors, tools, printing presses, concrete, or almost any dirty or greasy surface. 12 per case.

Product Code	Size Oz.	List	Each	Case
75-69-018	18.5	\$40.17	\$30.60	\$28.56



Adhesive Removers

Citrus

Citrus-based remover bites in and dissolves the sticky overspray of many aerosol adhesives, plus grease, oil, grime, tape residue, tar, wax and more.

Product Code	Size	Case Qty.	List	Each	Case
75-69-061	18.5 oz.	6	\$34.82	\$26.53	\$24.76
75-69-062	1 gal.	4	196.14	149.44	139.48
75-69-063	5 gal.	1	780.00	536.25	-
75-69-064	52 gal.	1	6609.78	4544.23	-





Insert Bits

Product Code	Drive	Length				
		In.	List	1-9	10-99	100+
75-43-058	#1 Phillips	1	\$0.26	\$0.17	\$0.16	\$0.14
75-43-061	#2 Phillips	1	0.26	0.16	0.15	0.14
75-43-064	#2 Phillips	2	0.50	0.31	0.29	0.27
75-43-075	#3 Phillips	1	0.30	0.20	0.18	0.17
75-43-076	#3 Phillips	2	0.48	0.30	0.27	0.25
75-43-043	#1 Square	1	0.46	0.28	0.26	0.24
75-43-046	#2 Square	1	0.46	0.28	0.26	0.24
75-43-049	#2 Square	2	0.54	0.33	0.31	0.28
75-43-056	#2 Square	6	0.84	0.52	0.48	0.44
75-43-079	#1 Pozi	1	0.30	0.20	0.18	0.17
75-43-082	#2 Pozi	1	0.30	0.20	0.18	0.17
75-43-085	#2 Pozi	2	1.04	0.66	0.61	0.57



Insert Bits

Combination

Features #2 Phillips/square drive.

Product Code	Length In.	List	1-9	10-99	100+
75-43-081	1	\$0.82	\$0.52	\$0.48	\$0.45
75-43-090	2	1.24	0.79	0.73	0.68

Bit Holders

Magnetic

1/4" shank.



75-43-094 75-43-097 75-43-093

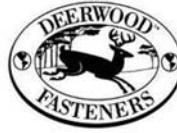
Product Code	Description	Length In.	List	1-9	10-99	100+
75-43-094	Two piece with C-ring	2-7/8	\$4.58	\$2.87	\$2.65	\$2.46
75-43-097	Quick release	2-3/8	4.40	2.75	2.54	2.36
75-43-098	Quick release	3	11.28	7.22	6.68	6.22
75-43-093	Super magnetic	2-3/8	11.28	7.22	6.68	6.22



Insert Bit Kits

10-Piece – Quick Bit

Product Code	Description	List	1-9	10+
75-43-099	10-pc. Quick Bit kit	\$16.06	\$9.17	\$8.56



Draw Bolts

Hex Head

For joining countertops and panels. Measures 1/4"-20 x 3-1/2". Zinc finish.

Product Code	Case Qty.	List	Each	Case
76-03-020	100	\$30.28	\$18.05	\$16.76
76-03-021	500	124.34	74.12	68.83



Countertop Joiners

Zip Bolt

Features integrated gearing system driven by universal 5mm hex drive, allowing user to tension bolt with hand-held hex driver or power drill. Nickel finish. 60/box; 6 boxes/case. Includes 5mm hex driver bit.



Product Code	Description	Case Qty.	List	Each	Box	Case
76-03-515	Countertop joiners	360	\$3.04	\$1.86	\$1.73	\$1.62
75-81-100	5mm hex bit	10	0.66	0.44	0.41	0.38



Tite-Joint™ Fasteners

Designed for 3/4" thick wood. Applies even, controlled pressure between joint members, eliminating twisting and buckling.

Product Code	Case Qty.	List	Each	Box	Case
76-03-530	100	\$3.26	\$1.84	\$1.73	\$1.68



Fluted Dowel Pins



Product Code	Dimensions Diameter x Length	Case Qty.	List	1-4	5-9	10+
Non-Glued						
76-77-069	8mm x 30mm	500	\$13.12	\$7.57	\$7.29	\$7.03
76-77-070	8mm x 30mm	10,000	190.66	110.00	105.93	102.14
76-77-071	8mm x 35mm	500	14.42	8.32	8.01	7.73
76-77-072	8mm x 35mm	10,000	209.74	121.00	116.52	112.36
76-77-079	1/4" x 1"	500	13.70	7.91	7.61	7.34
76-77-080	1/4" x 1"	5000	99.74	57.54	55.41	53.43
76-77-081	1/4" x 1-1/4"	500	14.62	8.43	8.12	7.83
76-77-082	1/4" x 1-1/4"	10,000	212.66	122.69	118.15	113.93
76-77-083	1/4" x 1-1/2"	500	17.14	9.89	9.53	9.19
76-77-084	1/4" x 1-1/2"	10,000	249.34	143.85	138.52	133.57
76-77-091	3/8" x 1-1/4"	500	14.62	8.43	8.12	7.83
76-77-092	3/8" x 1-1/4"	10,000	212.66	122.69	118.15	113.93
76-77-093	3/8" x 1-1/2"	500	16.74	9.66	9.30	8.97
76-77-094	3/8" x 1-1/2"	10,000	243.46	140.46	135.26	130.43
76-77-095	3/8" x 2"	500	20.26	11.69	11.26	10.86
76-77-096	3/8" x 2"	10,000	294.80	170.08	163.78	157.93
Pre-Glued						
76-77-075	8mm x 30mm	500	19.26	11.11	10.70	10.31
76-77-076	8mm x 30mm	10,000	280.14	161.62	155.63	150.07
76-77-077	8mm x 35mm	500	20.88	12.05	11.60	11.19
76-77-078	8mm x 35mm	8500	303.60	175.15	168.67	162.64
76-77-085	1/4" x 1"	500	20.08	11.58	11.16	10.76





Abrasive Accessories

Mirka Grip Faced Pad Protector

Features multiple holes, and works with Abranet abrasives. The pad protector makes Abranet discs stick better and protects backup pads from premature wear.

Product Code	Dimensions	List	1-4	5+
75-41-278	5" dia. 1/8" thick	\$7.26	\$4.13	\$3.87
75-41-279	6" dia. 1/8" thick	8.92	5.07	4.75



Abrasive Accessories

Vacuum Cleaner

Versatile industrial L-class vacuum cleaner is equipped with an automatic electric start, adjustable suction and an earthed hose connection to eliminate static electricity in the hose. A fleece dust bag is also included. Should be used with Mirka antistatic hoses.

Product Code	Description	List	Each
75-41-333	30L Portable Dust Extractor	\$800.49	\$568.65
75-41-335	1-1/4" x 12' Vacuum Hose	81.08	63.37
75-41-343	Dust Bag (package of 5)	85.35	60.82



Finishing Sander

Mirka Non-vacuum Sander with 3/16" (5mm) Orbit with PSA Pad

For general purpose sanding. Lightweight sander constructed of precision molded composites for strength and durability, while reducing operator fatigue. Composite construction also reduces sound for increased comfort. It provides true 12,000 rpm performance - for maximum productivity. Features moisture-resistant composite rotors, machined and balanced counterweights and premium counterweight bearings for long life and superior reliability. Can be converted to vacuum operation with model-specific kits. Includes PSA backup pad, pad wrench, and a bottle of air-tool oil.

Product Code	Diameter	List	Each
75-41-369	5"	\$289.10	\$206.02
75-41-380	6"	289.10	206.02

Finishing Sanders

Mirka Ceros Electric DC Motor Random Orbit Sander

Finally, the portability of an electric sander with the smooth, lightweight operation of an air sander. This lightweight sander features a direct current motor that actually delivers more power than an air sander with defined maximum rpm settings of 4000, 5000, 6000, 7000, 8000, 9000, and 10000. The trigger can be set for variable speeds and the exhaust port can be hooked directly to any Fein or Festool dust extractor hose. The tool also comes with a sustainer that will latch on to your Festool sustainers and dust extractors.



Product Code	Description	List	Each
75-41-379	5" Finishing Sander	\$766.16	\$545.99
75-41-389	6" Finishing Sander	771.81	550.31

Finishing Sanders

Mirka Deros Electric DC Motor Random Orbit Sander

Introducing Mirka® DEROS, the first random orbital electric sander using advanced brushless DC motor technology, without the need for an external power transformer. Performance unequalled by any competitive electric tool can now be found within reach of any standard 110 volt outlet. Mirka® DEROS is available in 5" and 6" models, and uses standard backing pads with a 5/16" threaded mount. Sanders are vacuum-ready using multi-hole backing pads with hook and loop attachment. DEROS features digitally controlled variable speeds from 4,000 to 10,000 rpm to provide the ideal finish for a variety of applications.



Product Code	Description	List	Each
75-41-370	5" Finishing Sander	\$835.46	\$595.00
75-41-381	6" Finishing Sander	835.46	595.00



Random Orbital Sanders

Non-Vacuum

Air powered. .28 HP motor. Includes pad. 5 per case.

Product Code	Description	Pad Size In.	Orbit In.	Pad	Max. RPM	List	Each	Case
75-41-100	Non-vacuum	5	3/16	Stickit™	12,000	254.48	193.88	180.95
75-41-139	Non-vacuum	5	3/32	Stickit™	12,000	258.77	189.76	177.90
75-41-111	Non-vacuum	3 x 4	–	Hookit™	10,000	293.70	215.38	201.92
75-41-113	Non-vacuum	6	3/16	Stickit™	12,000	246.75	180.95	169.65
75-41-115*	Central vacuum ready	5	3/32	Hookit™	12,000	229.38	168.21	157.70



Orbital Sanders

Self-Generated Vacuum

Features self-contained dust collection system. .28 HP motor. 12,000 RPM. 3.33" height. Includes clean sanding Hookit™ pad. 5 per case.

Product Code	Pad Size In.	Orbit In.	Max RPM	HP	Length In.	List	Each	Case
75-41-101	5	3/16	12,000	.28	6.12	\$265.73	\$194.86	\$182.68
75-41-102	6	3/16	12,000	.28	6.47	265.73	194.86	182.68
75-41-103	3 x 4	–	10,000	.24	8.85	315.62	231.45	216.99
75-41-110	5	3/32	12,000	.28	6.12	236.55	180.23	168.21
75-41-112	6	3/32	12,000	.28	6.47	252.32	185.04	173.47



Filter Bags

Clean Sanding

For use with random orbital sanders with self-generated vacuum; eliminates need for vacuum hose. 10 per box; 5 boxes per case.

Note: Requires filter bag adapter (not included) for attachment to sander.

Product Code	Size	List	Box	Case
75-41-106	Large	\$51.39	\$42.17	\$36.55

Accessories

Product Code	Description	List	Box	Case
75-41-118	Filter bag adapter	\$11.60	\$9.51	\$8.24

Air Tool Lubricants

For use in keeping pneumatic tools running efficiently. Apply two to three drops daily, or as needed. 12 per case.

Product Code	Size Oz.	List	Each	Case
75-41-105	4	\$7.73	\$6.33	\$5.49





Random Orbit Sanders

For sanding, polishing and finishing solid surfaces and woodwork. Features heavy-duty aluminum housing and 110V/200V ball bearing capacitor motor. 2.3A @ 110V, 1.2A @ 220V, 1700 RPM @ 110V. Includes 3M Hookit™ fastening system for use with Micron Paper, Trizact™ and Scotch-Brite™.



Sanders

Product Code	Diameter In.	List	Each
75-41-095	11	\$528.00	\$402.29

Accessories

Product Code	Description	List	Each
75-41-098	Dust collection shroud	\$274.23	\$208.93
75-41-093	11" drive pad Hookit	96.08	51.48



Biscuit Joiners

Classic C3

Features depth adjuster with six preset depths, central locking system, anti-slip pads and HW cutter Z6 alternating teeth. Front stop swivels 0° to 90° with detents at 22.5°, 45° and 67.5°.



Biscuit Joiners

Product Code	Description	List	1-4	5+
75-42-002	Biscuit joiner	\$887.93	\$591.95	\$503.16

Dust Collectors

Product Code	Dimensions mm Diameter x L	List	1-4	5+
75-42-007	3 x 23	\$99.27	\$66.18	\$54.60
75-42-019*	—	217.64	149.63	119.70

* Features conical connecting end for hoses 30 to 42mm diameter.

Glue Applicators

Servicol

For applying glue to biscuit and dowel joints. Features downward facing metal nozzle and bottle stand.



Glue Applicators

Product Code	Capacity mL	List	1-4	5+
75-42-037	300	\$50.90	\$28.00	\$26.25

Accessories

Product Code	Description	List	1-4	5+
75-42-040	Metal replacement tip	\$39.20	\$21.56	\$20.21

Glue Applicators

Minicol

For applying glue to biscuit and dowel joints. Features downward facing metal nozzle and solid wood bottle stand.



Product Code	Capacity mL	List	1-4	5+
75-42-031	300	\$98.00	\$53.90	\$50.53



Laminate Trimmers

Pneumatic tool for flush trimming of laminate edges. Solid carbide cutter. Carbon steel body with wide polycarbonate base.

Product Code	CFM	RPM	Minimum PSI	List	Each
75-43-222	3	25,000	90	\$324.24	\$229.68



75-43-249

Air Routers

Pneumatic tool for round-over cutting and chamfering hard or soft wood, plastics or solid surfaces. Does not overheat. Lightweight construction; one-hand operation. Cutter rotates at 20,000 RPM. Average operation 4 CFM. Requires min. 90 PSI air flow. Collet size 1/4".

Product Code	Description	List	Each
75-43-249	Air router 1 HP tilt base	\$337.22	\$238.86
75-43-224	Air router 3/4 HP fixed base	278.84	197.51
75-43-225	Tilt base for air router	110.46	78.24



75-43-225



Laminate Trimming & Finishing Kits

Includes Air File™ and air trimmer with tool oil, swivel connector, and adjustment tools, all contained in high-impact carrying case.

Product Code	Description	List	Each
75-43-219	Trimming & finishing kit	\$713.37	\$505.30



Air Hose Connectors

Swivel

Rotates 360° in two places. Permits air hose to drop straight to floor without affecting tool handling.

Product Code	Size In.	List	Each
75-43-230	1/4	\$13.77	\$9.79



Hot Melt Adhesives

Scotch-Weld™

Versatile hot melt adhesives are ideal for bonding a variety of substrates. Replaces pins and staples in furniture and joinery applications. Bonds in seconds and holds firmly and dependably.

Product Code	Application	3M#	Desc.	Adhesive		List	Each	Case
				Dia. x L In.	Color			
Low Temperature								
75-67-010	Corrugated beadboard, repacking, chipboard & wood	49125	3762LM	5/8 x 8 Q	Light Amber	\$1.55	\$1.17	\$1.10
75-67-013	Wood, coated paper, and heat sensitive materials	82454	3792LM	5/8 x 8 Q	Clear	1.95	1.49	1.39
75-67-017*	Wood, coated paper, and heat sensitive materials	83491	3792LM	1 x 3 PG	Clear	538.89	-	384.92
High Temperature								
75-67-011	Fast setting for corrugated, beadboard, repackaging	65261	3762	5/8 x 8 Q	Tan	1.53	1.16	1.09
75-67-016	Wide variety of plastics, woods, and lioghtweight materials	82561	3747	5/8 x 8 Q	Tan	2.12	1.61	1.51
75-67-018*	Wood, corrugated, fabric, furniture, and lightweight materials	82606	3792	1 x 3 PG	Clear	546.65	-	390.46
75-67-019	Wood, corrugated, fabric, furniture, and lightweight materials	65263	3792	5/8 x 8 Q	Clear	1.98	1.50	1.40
75-67-020	Wood, corrugated, fabric, furniture, and lightweight materials	82583	3792	1/2 x 12 AE	Clear	1.52	1.15	1.08
75-67-021	General purpose, quick grab for packaging and woodworking	91711	3750	1/2 x 10 AE	Tan	0.53	0.45	0.38

*Sold by the case (22 lb.).



LT w/ Quadrack™



TC w/ Quadrack™ Converter



EC



AE II

Hotmelt Applicators

Scotch-Weld™

Save time and money with the right equipment for the job. 3M™ Scotch-Weld™ Hot Melt Adhesive Equipment is easy to use and helps you get the perfect amount of adhesive every time. Its rugged construction stands up to every day wear and tear, and its controlled dispensing is ideal for a variety of applications.

Product Code	Description	3M#	Temp. ° F	Adhesive		List	1-4	5+
				Dia. x Length In.				
75-43-004	LT w/ Quadrack™, use with low melt adhesives	89774	265	5/8 x 8 Q		\$202.92	\$148.38	\$139.38
75-43-006	TC w/ Quadrack™, use with standard melt adhesives	89445	385	5/8 x 8 Q		218.93	160.07	150.37
75-43-005	EC temperature modules to operate w/ standard low melt adhesives	89519	260	5/8 x 8 Q		547.43	400.27	376.01
75-43-007	AE II electric operation. High temperature adhesives	96594	400	1/2 x 12 AE		105.68	77.26	72.58

Chicago, IL

Phone: 708-343-1515
FAX: 708-343-1616

Rockford, IL

Phone: 815-968-0921
FAX: 815-968-4720

Indianapolis, IN

Phone: 317-353-6281
FAX: 317-356-3503

Twin Cities, MN

Phone: 651-407-2800
FAX: 651-407-2801



Adhesive Applicators

PUR EZ – Scotch-Weld™

This adhesive applicator along with moisture-curing urethane adhesives puts a powerful production capability in your assembly operation. 120V.

Applicators

Product Code	Description	Temperature °F	List	1-2	3+
75-43-390	PUR EZ 250	250	\$934.22	\$683.08	\$641.68

Adhesive Preheaters

PUR EZ – Scotch-Weld™

For improved productivity, the optional preheater keeps up to four adhesive cartridges ready to use. 12 month warranty.



Product Code	Description	Temperature °F	List	1-2	3+
75-43-391	PUR EZ 250	250	\$1273.91	\$931.46	\$875.01

Applicator Tips – 3 Pack



Product Code	Description	Size In.	List	1-2	3+
75-43-010	Tip cap	–	\$9.11	\$6.94	\$6.47
75-43-016	Low flow	.063	49.62	37.80	35.28
75-43-019	Extension	.072	58.31	44.42	41.46
75-43-022	Standard	.090	56.13	42.76	39.91
75-43-025	High flow	.125	52.73	40.17	37.49

PRACTICAL PRODUCTS CO.

Roller Frames

10 per case.



Product Code	Width In.	List	Each	Case
Frames				
75-43-121	3	\$5.34	\$3.07	\$2.86
75-43-124	7	5.34	3.07	2.86
75-43-127	9	5.34	3.07	2.86

Roller Covers

Textured – Mohair

Use when applying solvent or water-based adhesives, paints or varnishes over large areas. Core is water and solvent resistant. 12 per case



Product Code	Width In.	Surface	Case Qty.	List	Each	Case
Rollers						
75-43-112	3	Textured	24	\$4.30	\$2.46	\$2.29
75-43-114	3	Mohair	24	3.68	2.11	1.97
75-43-115	7	Textured	12	7.62	4.37	4.07
75-43-117	7	Mohair	12	6.88	3.95	3.67
75-43-118	9	Textured	12	8.84	5.07	4.72
75-43-120	9	Mohair	12	7.26	4.17	3.88

PRACTICAL PRODUCTS CO.



Adhesive/Varnish/Paint Brushes

Recommended for all solvent-based and water-based contact adhesives, paints, varnishes, epoxies, and polyurethanes. Natural white China bristles hold and deliver more liquid to the surface, and they are completely resistant to all solvents. Plain sanded wooden handle provides a comfortable grip and is also solvent resistant. Inexpensive enough to be disposable. Available in 1", 2", 3", and 4" sizes. 24 per Case.

Product Code	Width In.	List	Each	Case
75-43-100	1	\$0.90	\$0.53	\$0.49
75-43-103	2	1.28	0.77	0.72
75-43-106	3	2.30	1.38	1.28
75-43-109	4	3.66	2.19	2.03

Edge Rollers

Lever action puts pressure on laminate edges for tight seal to substrate. Non-marring firm plastic rollers.



Product Code	Length In.	Weight Oz.	List	Each
75-43-139	12	10	\$35.26	\$19.59

Pressure Rollers

For applying pressure to plastic laminates and veneers. Provides up to 50 lbs. per square inch to assure thorough bonding. Non-marring 3" rubber roller. Includes comfort grip handle.



75-43-130

Product Code	Description	Length In.	List	Each
75-43-130	J-Roller	13	\$19.84	\$11.02
75-43-133	Super J-Roller	15	47.72	26.51



75-43-133

Extension Rollers

For applying pressure to decorative laminate, vinyl, carpet or tile. Forward loop grip allows heavy pressure to be applied at rollers. Features adjustable twist-lock handle and three resilient rollers.



Product Code	Overall Width In.	Handle Length In.	Weight Lbs.	List	Each
75-43-136	6-3/4	18 to 27	3	\$69.16	\$38.42

End Trimmers

Tridon®

For trimming edgebanding material. Features cast aluminum body with 1/4" thick steel blade. Locking cam stop allows adjustment of overhang.



Product Code	Description	List	Each
75-43-405	Trimmer, 7" x 6"	\$81.94	\$40.97
75-43-406	Replacement blade	34.54	18.38

PRACTICAL PRODUCTS CO.

Laminate Shears

No. 75-43-148. For making cuts in laminate without chipping. Compound action, three jaw design.
No. 75-43-151. Nibbling-type shear for making notches, slots and cut-outs, or for use around outlets or irregular edges. Cuts straight, right or left.



75-43-148



75-43-151

Product Code	Desc.	Length In.	List	Each
75-43-148	Straight	9	\$47.58	\$26.43
75-43-151	Curved	7	143.82	76.55



Cutting Tools

MultiSnips™

Features stainless steel cutter head with angled blades, plastic handles, spring opening and locking catch.



Product Code	Overall Length In.	Cutting Edge Length In.	List	Each
75-76-622	7-1/2	1-1/2	\$18.36	\$13.05

Scoring Cutters

Carbide-Tipped

For long cuts on decorative laminate, vinyl sheet, tile, Plexiglas, and drywall. Also used for regrouting applications.



Product Code	Style	Length In.	List	Each
75-43-140	Straight	8	\$47.26	\$26.26

Files

Plasti-Cut®

For use on decorative laminates and plastics. Wide body. All edges have teeth on Mill and FAST®.

Mill Type. For smooth finish.

FAST® Type. For coarse filing applications.

Duplex Type. FAST® cut on one side, mill cut on other. One edge is toothless for corner filing.



Product Code	Length In.	Type	Case Qty.	List	Each	Case
75-43-400	10	Mill	10	\$22.62	\$12.99	\$12.09
75-43-403	14	Mill	5	43.30	24.85	23.14
75-43-401	10	FAST®	10	30.98	17.78	16.55
75-43-402	10	Duplex	10	30.14	17.31	16.11

PRACTICAL PRODUCTS CO.

Accessories



Product Code	Description	List	Each	Case
75-43-407	Wire brush for cleaning	\$5.70	\$3.27	\$3.05
75-43-408	Tampico brush	11.98	6.87	6.40

PRACTICAL PRODUCTS CO.



Scoring Cutters

Tridon®

For scoring and breaking laminate, vinyl sheets, tile and acrylic glass. Reversible blade is carbide tipped on each end.

Product Code	Length In.	Weight Oz.	List	Each
75-43-145	6	3	\$9.62	\$5.35



Laminate Edge Finishers

Mica-Nife™

Finishes laminate edges after routing. Features nylon body, self guide, solid carbide cutter and adjustable cutting depth and angle.

Product Code	Cutting Angle °	Weight Oz.	List	Each
75-43-142	8 to 18	2	\$22.52	\$12.55



Utility Knives

Folding

Features one-handed opening and closing, ABS handle with comfort grip, and toolless blade replacement. Accepts standard utility blades. Includes belt clip and (5) replacement blades.

Product Code	Description	Case Qty.	List	Each
75-76-624	Folding/locking utility knife	12	\$25.53	\$18.16



Framing Blocks

Use to square up doors, cabinets and window frames. Glue resistant. For use with K Body® clamps 12" to 98" (not included). Can be screw mounted to work surface.

Product Code	Description	List	Each
75-76-518	KP framing blocks, 4-pc. set	\$36.90	\$26.24



Bar Clamps

Tradesman™

Features malleable cast-iron jaws, powder coated for rust protection. Large-diameter pads prevent dimpling of workpiece. Cold drawn, galvanized steel rail. Ergonomic wood handle. Non-slip interior locking mechanism.



Product Code	Throat Depth In.	Length In.	Rail Size In.	Pressure Lbs.	Case Qty.	List	Each
Light-Duty							
75-76-524	2-1/2	6	1 x 1/4	600	10	\$21.83	\$15.52
75-76-526	2-1/2	12	1 x 1/4	600	10	23.55	16.75
75-76-528	2-1/2	18	1 x 1/4	600	10	25.85	18.38
75-76-530	2-1/2	24	1 x 1/4	600	10	28.73	20.43
75-76-532	2-1/2	30	1 x 1/4	600	10	31.61	22.47
75-76-534	2-1/2	36	1 x 1/4	600	10	34.47	24.51
75-76-536	4	8	1 x 5/16	880	10	33.32	23.69
75-76-538	4	12	1 x 5/16	880	10	40.64	28.89
75-76-540	4	16	1 x 5/16	880	10	42.47	30.20
75-76-542	4	24	1 x 5/16	880	10	55.46	39.44
Medium-Duty							
75-76-544	7	16	1-1/4 x 3/8	1320	5	64.61	45.94
75-76-546	7	24	1-1/4 x 3/8	1320	5	75.99	54.03



Bar Clamps

Light-Duty – LM™

For use by model makers, hobbyists and woodworkers. Features cast jaws, 19/32" x 7/32" drawn steel rail with serrations on two sides, and ergonomic wood handle. 2" throat depth. Clamping pressure 330 lbs. 10 per box.



Product Code	Length In.	List	Each
75-76-548	4	\$10.89	\$7.74
75-76-550	6	13.22	9.40
75-76-552	8	13.79	9.80
75-76-554	12	14.36	10.21

Pressure Clamps

PowerGrip™

Squeezing lever provides light clamping pressure; turning power handle applies maximum force. Features two-way hand lever, quick-release button and non-marring plastic pressure caps. Fiberglass reinforced polymer housing, steel I-beam rail. 4" throat depth. Lever pressure 200 lbs. Handle pressure 100 lbs. 5 per box.



Product Code	Length In.	List	Each
75-76-566	12	\$68.87	\$48.97
75-76-568	24	81.90	58.24

Angle Clamps

WS Series

Holds materials at 90° angle. Adjusts automatically to variations in wood thickness. Galvanized spindle. Die-cast, plastic coated jaws.



Product Code	Max. Material Thickness In.	T-Joint Clearance In.	Case Qty.	List	Each
75-76-570	4	1-1/8	6	\$43.41	\$30.87

Table Clamps

Holds WS Series angle clamps to work table.



Product Code	Description	List	Each
75-76-572	Table clamps, pair	\$9.36	\$6.66

Strap Clamps

Variable Angle

Polyester strap provides up to 1100 lbs. tensile strength with minimal stretch. Four corner clips adjust from 60° to 180°. Strap winding crank spools excess line. Geared winder for precise adjustment. Fiberglass reinforced polyamid case and corner blocks. Wood handle.



Clamps

Product Code	Strap Width In.	Strap Length Ft.	Case Qty.	List	Each
75-76-576	1	23	5	\$51.27	\$36.46

Accessories

Product Code	Description	Case Qty.	List	Each
75-76-578	Variable angle clips, 6-pc. set	5 Sets	\$25.08	\$17.83



Edge Clamps

For custom woodworking applications. Compound screw mechanism allows one-handed operation; all pressure pads advance by operation of handle. Swivel mounted pressure plate extends to 1-3/4". Pivoting jaws with soft plastic jaw caps for non-slip clamping. Aluminum frame.

Product Code	Throat Depth In.	Opening In.	Pressure Lbs.	List	Each
75-76-584	3	2-1/8	500	\$102.57	\$72.94



75-76-590

75-76-588

Edge Clamps

For use in edge gluing applications. Allows conversion of bar clamp to three-way edge clamp.

Product Code	Description	Case Qty.	List	Each
75-76-588	Single spindle	10	\$19.53	\$13.89
75-76-590	Dual spindle	5	26.42	18.79

Spring Clamps

Nickel plated steel construction. Non-marring vinyl tips.



Product Code	Opening In.	Pressure Lbs.	Case Qty.	List	Each
75-76-602	1-1/4	33.0	10	\$2.36	\$1.67
75-76-604	2-1/4	49.5	10	3.80	2.70
75-76-606	3-5/16	66.0	5	6.71	4.77
75-76-608	5	63.0	5	17.81	12.66



Seaming Tools

Solid Surface

Aluminum alloy vacuum cups secure to nonporous solid surfaces. Features vacuum operating lever with lock and quick release, leveling toggles, hardened steel spindle, wood handles and steel guide rods.

Product Code	Dimensions In. Span x W x L	Pressure Lbs.	List	Each
75-76-610	2.1 x 5.1 x 9.4 to 11.6	48.5	\$361.25	\$256.89



Pipe Clamp Fixtures

Spindle plated to prevent rust and corrosion. Clutch action grips bar automatically. Features large clamping surface for positive grip and large handle for positive pressure.

Product Code	For Pipe Diameter In.	Case Qty.	List	Each
75-76-618	1/2	12	\$17.87	\$12.70
75-76-620	3/4	10	21.60	15.36



Pipe Clamps H-Series

H-shaped foot design stabilizes workpiece in two dimensions; high base allows hand clearance. Features cast jaws and smooth-action spindle. 4 per case.

Product Code	Size In.	List	Each
75-76-616	1/2	\$21.60	\$15.36
75-76-614	3/4	25.31	18.00



Bar Clamps Light-Duty – UniKlamp

Features galvanized steel rail to minimize flexing, Acme thread spindle, zinc alloy sliding arm, and wooden handle. Fiber-reinforced non-marring polyamid jaws provide 11 sq. in. of clamping surface and are reversible for use as spreader. Throat depth 3-1/8". Clamping pressure 550 lbs. 6 per box.

Product Code	Length In.	List	Each
75-76-556	12	\$36.14	\$25.70
75-76-558	18	39.54	28.12



Bar Clamps KliKlamp

Features magnesium jaws, steel rail and fiber-reinforced polyamid lever. Ratchet action resists vibration, allows quick clamping and release. Throat depth 3". Clamping force 330 lbs. 10 per case.

Product Code	Length In.	List	Each
75-76-560	4	\$38.97	\$28.35
75-76-562	8	41.37	29.42
75-76-564	12	43.61	31.01



Edge Clamps

Three-Way

For holding down edging on corners and irregular angles.

Product Code	Clamping Force Lbs.	Case Qty.	List	Each
75-76-586	300	3	\$12.60	\$8.96



Spring Clamps

Adjustable – VarioClippix

Moveable jaw allows adjustment of opening size and clamping pressure. Features plastic construction with anti-slip grips and non-marring nose pads.

Product Code	Opening In.	Depth In.	List	Each
75-76-592	2-3/8	1-1/2	\$8.34	\$5.93
75-76-594	4	2	9.24	6.57



Spring Clamps

Clippix

Fixed pivot design. Features plastic construction with anti-slip grips and non-marring nose pads.

Product Code	Opening In.	Clamping Capacity	List	Each
75-76-598	2-1/2	2	\$4.35	\$3.09
75-76-600	3	3	8.34	5.93



Flooring Strap Clamps

Ratcheting design for installation of tongue-and-groove laminate plank flooring. Features poly-clad galvanized metal construction and woven strap.

Product Code	Clamping Force Lbs.	Strap Length Ft.	Case Qty.	List	Each
75-76-612	220	25	5	\$73.35	\$52.15

We are continually adding new products. Call us with your inquiries.

INDEX

Numerics

2-DRAWER

Lazy Susans, Knape & Vogt 121

3M

Abrasive Discs 205–207
Adhesives, Hot Melt 328
Adhesives, Polyurethane Reactive 224
Adhesives, Spray 221
Applicators, Adhesive 224, 329
Applicators, Epoxy 221
Applicators, Hotmelt 222, 328–329
Bags, Filter 325
Belts, Abrasive 214–217
Blocks, Sanding 217, 317
Bumpers, Protective 67, 320
Cartridges, Respirator 309
Clean Sanding Discs 206
Cleaner/Degreasers 321
Cleaners, Belt 318
Cloths, Tack 212, 276, 319
Contact Cement Brushes 330
Covers, Roller 329
Discs, Abrasive 205–210, 212, 276
Discs, Clean Sanding 206
Discs, Finishing 220
Discs, Radial Bristle 220
Dispensers, Tape 314
Earmuffs 311
Earplugs, Foam 311
Epoxies, Woodworking 221
Film, Microfinishing 211, 275, 277
Filter Retainer 309
Filters, Particulate 309
Glasses, Safety 310
Gloves, Latex 312
Gloves, Nitrile 312
Hand Pads, Disc 220, 317
Holders, Hand Pad 317
Lubricants, Air Tool 325
Lubricants, Penetrating 321
Mats, Safety 312
Pads, Clean Sanding 213, 317
Pads, Disc 212–213, 316
Pads, Hand 220
Pads, Interface 212, 276, 316
Paint Preparation Systems 312
Preheaters, Adhesive 225, 329
Removers, Adhesive 226, 321
Respirators, Halfpiece 309
Respirators, Particulate 310
Rollers, Extension 330
Rollers, Pressure 330

3M CONTINUED

Rolls, Abrasive, Sheets 218–219
Sanders, Orbital 325
Sanders, Random Orbital 325
Sheets, Clean Sanding 207
Sponges, Sanding 219
Tape, Aluminum Foil 315
Tape, Box Sealing 314
Tape, Duct 315
Tape, Filament 314
Tape, Masking 313
Tape, Painters' 313
Trimmers, End 330

A

ABRASIVE

Belts, 3M 214–217
Belts, 3MSheet
Rolls, M] 217
Discs, 3M 205–210, 212, 276
Sheets, 3M 218–219

ABRASIVE ACCESSORIES

Mirka 204, 324

ABRASIVE BELTS

Mirka 202

ABRASIVE DISCS

3M 205–207
Mirka 197–201, 274

ABRASIVE SPONGES

Mirka 203

ADHESIVE

Applicators, 3M 224, 329
Preheaters, 3M 225, 329
Removers, 3M 226, 321

ADHESIVES

Hot Melt, 3M 328
Hotmelt, Adwood 223
Polyurethane Reactive, 3M 224
Spray, 3M 221

ADJUSTERS

Drawer Front, Titus 30

ADVANCED AFFILIATES

Brackets, Work Station 175
Catches, Door 152
Mounting Brackets, Flat
Screen TV 141
Pulls, Bar 195

ADWOOD

Adhesives, Hotmelt 223

AEROSOL

Lubricants 321

AETNA HARDWARE

Bottles, Glue 225
Space Balls 31

AIR

Routers, Beaver Tools 327

AIR HOSE

Connectors, Beaver Tools 327

AIR TOOL

Lubricants, 3M 325

ALUMINUM

Swivels, U.S. Futaba 141

ALUMINUM FOIL

Tape, 3M 315

AMANA TOOL

Bit Sets, Router 282
Bits, Boring 100, 296
Bits, Forstener 297
Bits, Hinge Boring 100, 296
Bits, Router 278–292
Blades, Circular Saw 277
Blades, Miter Saw 293, 295
Blades, Saw 293–295
Cutters, Slotting 282

ANGLE

Brackets, U.S. Futaba 180
Clamps, Bessey 333

ANGLE REDUCTION

Clips, Salice 99

APPLIANCE

Lifts, Knape & Vogt 126

APPLICATORS

Adhesive, 3M 224, 329
Epoxy, 3M 221
Glue, Lamello 225, 326
Hotmelt, 3M 222, 328–329

ARCH

Pulls, EPCO 195

ASSEMBLY

Screws, Deerwood 8–13
Screws, Quickscrews 14–15
Test Blocks, Salice 99

B

BACKUP PADS

Mirka 203

BAGS

Filter, 3M 325

BAINBRIDGE

Spacers, Drawer Slide 67

INDEX

BAINBRIDGE MANUFACTURING

- Braces, Corner 180
- Grommets, Wire Management 158
- Openers, Drawer 153

BALL

- Catches, EPCO 153

BAR

- Clamps, Bessey 332–333, 335
- Pulls, Advanced Affiliates 195
- Pulls, EPCO 195

BARS

- Towel, Knape & Vogt 128

BASES

- Glue Applicator, Lamello 327

BASKETS

- Multi-Use, Knape & Vogt 125
- Pantry, Knape & Vogt 124
- Pull-Out, U.S. Futaba 132

BEAD

- Catches, U.S. Futaba 153

BEARING

- Lubricants 320

BEAVER TOOLS

- Connectors, Air Hose 327
- Drills, Pneumatic 327
- Routers, Air 327
- Trimmers, Laminate 327
- Trimming & Finishing Kits, Laminate 327

BELT

- Cleaners, 3M 318
- Cleaners, Practical Products 220

BELTS

- Abrasive, 3M 214–217

BESSEY

- Blocks, Framing 332
- Clamps, Angle 333
- Clamps, Bar 332–333, 335
- Clamps, Edge 334–335
- Clamps, Pipe 335
- Clamps, Pressure 333
- Clamps, Spring 334, 336
- Clamps, Strap 333
- Clamps, Table 333
- Cutters, Scoring 331–332
- Cutting Tools 331
- Edge Finishers, Laminate 332
- Files, Plasti-Cut 331
- Fixtures, Pipe Clamp 335
- Knives, Utility 332
- Seaming Tools 334

BESSEY CONTINUED

- Strap Clamps, Flooring 336

BINS

- Waste & Recycling, Knape & Vogt 117–119
- Waste, Knape & Vogt 116, 120
- Waste, U.S. Futaba 131

BISCUIT

- Joiners, Lamello 326

BISCUITS

- Lamello 21

BIT

- Holders, Quickscrews 19, 322

BIT SETS

- Router, Amana Tool 282

BITS

- Boring, Amana Tool 100, 296
- Drill, Timberline 298
- Forstener, Amana Tool 297
- Hinge Boring, Amana Tool 100, 296
- Insert, Quickscrews 19, 322
- Router, Amana Tool 278–292

BLADES

- Circular Saw, Amana Tool 277
- Jigsaw 296
- Miter Saw, Amana Tool 293, 295
- Saw, Amana Tool 293–295

BLIND CORNER

- Hinges, Salice 83
- Pull-Outs, U.S. Futaba 132
- Slide-Outs, Knape & Vogt 126

BLOCKS

- Flush, Titus 31
- Framing, Bessey 332
- Sanding, 3M 217, 317

BOARDS

- Ironing, Peter Meier 168

BODIES

- Smove System, Salice 97–98

BOLTS

- Double Door, U.S. Futaba 152
- Draw, Deerwood 20, 323

BORING

- Bits, Amana Tool 100, 296

BOTTLES

- Glue, Aetna Hardware 225

BOX SEALING

- Tape, 3M 314

BRACES

- Corner, Bainbridge Manufacturing... 180

BRACKETS

- Angle, U.S. Futaba 180
- Hanging 161
- Knape & Vogt 169–172, 174
- Salice 113
- Shelf, U.S. Futaba 176–177
- Work Station, Advanced Affiliates... 175

BUMPERS

- Protective, 3M 67, 320

C

CABINET

- Leg Assemblies, Titus 271
- Legs, Camar 271
- Organizers, Knape & Vogt 125
- Roll-Outs, Knape & Vogt 125
- Skid Plates, U.S. Futaba 273

CABINET HANGING

- Rails 161

CABINET INSTALLATION

- Screws, Quickscrews 17

CABINET LEG

- Top Fixes, Titus 272

CAMAR

- Legs, Cabinet 271
- Legs, Table 271
- Levelers, Furniture 272

CAMS

- Titus 23–24

CAPS

- Cover 161

CARTRIDGES

- Respirator, 3M 309

CASTERS

- Designer's Hardware 270

CATCHES

- Ball, EPCO 153
- Bead, U.S. Futaba 153
- Door, Advanced Affiliates 152
- Elbow, U.S. Futaba 153
- Magnetic, U.S. Futaba 150–151
- Rotary, Sugatsune 152

CHANNELS

- Wire, Custom Accents 160

CHEF

- Pantry Systems, U.S. Futaba 133

CIRCULAR SAW

- Blades, Amana Tool 277

INDEX

CLAMPS

Angle, Bessey	333
Bar, Bessey	332-333, 335
Edge, Bessey	334-335
Pipe, Bessey	335
Pressure, Bessey	333
Spring, Bessey	334, 336
Strap, Bessey	333, 336
Table, Bessey	333

CLEAN SANDING

Discs, 3M	206
Pads, 3M	213, 317
Sheets, 3M	207

CLEAN SANDING DISCS

3M	206
----	-----

CLEANER/DEGREASERS

3M	321
----	-----

CLEANERS

Belt, 3M	318
Belt, Practical Products	220

CLIPS

Angle Reduction, Salice	99
Plinth, Titus	272

CLOSET

Rod Supports, U.S. Futaba	166
Rods, U.S. Futaba	163-167

CLOSET ROD

Lift Mechanisms, Sugatsune	168
Pull Down Mechanisms, Sugatsune	168
Supports, U.S. Futaba	163-165

CLOTHS

Tack, 3M	212, 276, 319
----------	---------------

COMBINATION

Locks, U.S. Futaba	76
--------------------	----

CONCEALED

Hinges, Salice	84-87
Housings, Titus	30

CONNECTING

Screws, Deerwood	16
------------------	----

CONNECTORS

Air Hose, Beaver Tools	327
------------------------	-----

CONTACT CEMENT BRUSHES

3M	330
----	-----

CONVERSION

Pads, 3M	212, 276
----------	----------

CORES

Lock, U.S. Futaba	75, 157
-------------------	---------

CORNER

Braces, Bainbridge Manufacturing	180
----------------------------------	-----

CORNER CONTINUED

Hinges, Salice	82
----------------	----

COUNTERTOP

Jointers, Deerwood Fasteners	20, 323
Polish	320

COVER

Caps	161
------	-----

COVERS

Roller, 3M	329
------------	-----

CPU HOLDER

U.S. Futaba	140
-------------	-----

CUSTOM ACCENTS

Channels, Wire	160
Drawers, Desk	149
Grommets, Trash	160
Grommets, Wire	159-160
Organizers, Drawer	149
Racks, Media Storage	150
Rails, Hanging File	150

CUTTERS

Scoring, Bessey	331-332
Slotting, Amana Tool	282

CUTTING TOOL

Lubricants	321
------------	-----

CUTTING TOOLS

Bessey	331
--------	-----

D

DAMPENING MECHANISMS

Sugatsune	143-145
-----------	---------

DEERWOOD

Bolts, Draw	20, 323
Screws, Assembly	8-13
Screws, Connecting	16
Screws, Drawer Front Adjusting	7
Screws, Drawer Slide	4
Screws, Hardware	2
Screws, Hinge	4
Screws, Installation	18
Screws, Machine	6-7
Screws, Spiral Funnel Head	16
Screws, Trim Head	18
Washers, Finish	18

DEERWOOD FASTENERS

Fasteners, Tite-Joint	20, 323
Joiners, Countertop	20, 323

DESIGNER'S HARDWARE

Casters	270
---------	-----

DESK

Drawers, Custom Accents	149
-------------------------	-----

DISC

Hand Pads, 3M	220, 317
Pads, 3M	212-213, 316

DISCS

Abrasive, 3M	205-210, 212, 276
Clean Sanding, 3M	206
Finishing, 3M	220, 276
Radial Bristle, 3M	220

DISPENSERS

Tape, 3M	314
----------	-----

DIVIDERS

Tray, Knape & Vogt	126-127
Tray, U.S. Futaba	131

DIVIDERS, TRAY

DOOR

Catches, Advanced Affiliates	152
Mounts, Knape & Vogt	119
Tracks, EPCO	269

DOOR & DRAWER

Pulls, EPCO	195-196
-------------	---------

DOUBLE DOOR

Bolts, U.S. Futaba	152
--------------------	-----

DOUBLE-ENDED

Dowels, Titus	26
---------------	----

DOWEL

Pins, Excel	20, 323
-------------	---------

DOWELS

Double-Ended, Titus	26
End, Titus	25
Expanding, Titus	26
Screw, Titus	30
Titus	22-24

DRAW

Bolts, Deerwood	20, 323
-----------------	---------

DRAWER

Inserts, Knape & Vogt	128
Locks, U.S. Futaba	73-75, 155-157
Openers, Bainbridge Manufacturing	153
Organizers, Custom Accents	149
Slides, Hettich International	53, 58, 65-66
Slides, Knape & Vogt	35, 37, 40-45, 47-49, 51-52, 54, 56-57, 59-60, 63-64
Slides, Salice	61-62
Slides, Sugatsune	41
Slides, U.S. Futaba	32-33, 36, 38-39, 46, 50, 53, 147
Specifications, U.S. Futaba	68

INDEX

<p>DRAWER FRONT Adjusters, Titus 30 Mounting Brackets, U.S. Futaba 71</p> <p>DRAWER FRONT ADJUSTING Screws, Deerwood 7</p> <p>DRAWER SLIDE Screws, Deerwood 4 Screws, Quickscrews 1, 3–4 Spacers, Bainbridge 67</p> <p>DRAWER SLIDES Knappe & Vogt 48 Salice 113 U.S. Futaba 55</p> <p>DRAWER SYSTEM Specifications, U.S. Futaba 68</p> <p>DRAWER SYSTEMS Metal, U.S. Futaba 69–70</p> <p>DRAWERS Desk, Custom Accents 149 Keyboard, U.S. Futaba 148 Pencil, U.S. Futaba 149</p> <p>DRILL Bits, Timberline 298</p> <p>DRILLING Templates, U.S. Futaba 71</p> <p>DRILLS Pneumatic, Beaver Tools 327</p> <p>D-SHAPED Lazy Susans, Knappe & Vogt 121</p> <p>DUCT Tape, 3M 315</p> <p>DUPLEX Hinges, Lamello 105</p>	<p>ELEMENT DESIGNS Door Hardware Pages 260–268</p> <p>END Dowels, Titus 25 Trimmers, 3M 330</p> <p>EPCO Catches, Ball 153 Pulls, Arch 195 Pulls, Bar 195 Pulls, Drawer & Door 195–196 Pulls, Glass Door 196 Tracks, Door 269</p> <p>EPOXIES Woodworking, 3M 221</p> <p>EPOXY Applicators, 3M 221</p> <p>EXCEL Pins, Dowel 20, 323</p> <p>EXCENTRA Hinges, Face Frame 95</p> <p>EXPANDING Dowels, Titus 26 Housings, Titus 27–29</p> <p>EXTENSION Rollers, 3M 330</p>	<p>FILM Microfinishing, 3M 211, 275, 277</p> <p>FILTER Bags, 3M 325</p> <p>FILTER RETAINER 3M 309</p> <p>FILTERS Particulate, 3M 309</p> <p>FINISH Washers, Deerwood 18</p> <p>FINISHING Discs, 3M 220, 276</p> <p>FINISHING SANDERS Mirka 204, 324</p> <p>FINISHING SHEETS Mirka 197</p> <p>FIXTURES Pipe Clamp, Bessey 335</p> <p>FLAP JOINT Stays, Ferrari 101, 146</p> <p>FLAT SCREEN TV Mounting Brackets, Advanced Affiliates 141</p> <p>FLOORING Strap Clamps, Bessey 336</p> <p>FLUSH Hinges, RPC 105</p> <p>FLY MOON Vibo, Salice 110</p> <p>FLY MOON MECHANISM Vibo, Salice 111</p> <p>FOAM Earplugs, 3M 311</p> <p>FORSTENER Bits, Amana Tool 297</p> <p>FRAMING Blocks, Bessey 332</p> <p>FULL ROUND Lazy Susans, Knappe & Vogt 121</p> <p>FURNITURE Glides, U.S. Futaba 273 Legs, Peter Meier 271 Levelers, Camar 272</p> <p>FURNITURE GLIDE Mounting Brackets, U.S. Futaba 273</p>
F		
<p style="text-align: center; font-size: 2em; font-weight: bold; margin-bottom: 10px;">E</p> <p>EARMUFFS 3M 311</p> <p>EARPLUGS Foam, 3M 311</p> <p>ECONOMY Hinges, RPC 104</p> <p>EDGE Clamps, Bessey 334–335 Rollers, Practical Products 330</p> <p>EDGE FINISHERS Laminate, Bessey 332</p> <p>ELBOW Catches, U.S. Futaba 153</p>	<p>FACE FRAME Hinges, Excentra 95 Hinges, Salice 96</p> <p>FACE FRAME HINGES Salice 94, 96</p> <p>FAMOWOOD Fillers, Wood 318–319 Solvents 319</p> <p>FASTCAP Info Pages 299–308</p> <p>FASTENERS Tite-Joint, Deerwood Fasteners 20, 323</p> <p>FERRARI Stays, Flap Joint 101, 146</p> <p>FILAMENT Tape, 3M 314</p> <p>FILES Plasti-Cut, Bessey 331</p> <p>FILLERS Wood, Famowood 318–319</p>	

INDEX

G

GANG

Locks, U.S. Futaba 75, 157

GEM

Sanders, Random Orbit 277, 326

GLASS DOOR

Pulls, EPCO 196

GLASSES

Safety, 3M 310

GLIDES

Furniture, U.S. Futaba 273

GLOVES

Latex, 3M 312

Nitrile, 3M 312

GLUE

Applicators, Lamello 225, 326

Bottles, Aetna Hardware 225

GLUE APPLICATOR

Bases, Lamello 327

GROMMETS

Trash, Custom Accents 160

Wire Management, Bainbridge
Manufacturing 158

Wire, Custom Accents 159–160

Wire, U.S. Futaba 158

H

HALF-MOON

Lazy Susans, Knape & Vogt 122

HALFPIECE

Respirators, 3M 309

HAMPERS

Roll-Out, Knape & Vogt 127

Tilt-Out, Knape & Vogt 127

HAND

Pads, 3M 220

HAND PAD

Holdes, 3M 317

HAND PADS

Disc, 3M 220, 317

HANDLES

Waste Bin, Knape & Vogt 119

HANGING

Brackets 161

HANGING FILE

Rails, Custom Accents 150

HARDWARE

Screws, Deerwood 2

Screws, Quickscrews 3

HERA LIGHTING

Info Pages 237–249

HETTICH INTERNATIONAL

Hinges, Pivot 103

Slides, Drawer 53, 58, 65–66

HIGH

Pull-Outs, U.S. Futaba 132

HINGE

Mounting Plates, Salice 90–94, 96

Screws, Deerwood 4

Screws, Quickscrews 1

HINGE BORING

Bits, Amana Tool 100, 296

HINGE QUICK REFERENCE

Salice 77

HINGES

Blind Corner, Salice 83

Concealed, Salice 84–87

Corner, Salice 82

Duplex, Lamello 105

Economy, RPC 104

Face Frame, Excentra 95

Face Frame, Salice 96

Flush, RPC 105

Institutional, Salice 102

Negative Angle, Salice 82

Overlay, RPC 104

Piano, RPC 105

Pie Corner, Salice 83

Pivot, Hettich International 103

Push, Salice 88

Salice 78–81

Sink Front, Knape & Vogt 123

Thick Door, Salice

Thick Door

Hinges, Salice 84

Wide Angle, Salice 80

HOLDERS

Bit, Quickscrews 19, 322

Hand Pad, 3M 317

HOT MELT

Adhesives, 3M 328

HOTMELT

Adhesives, Adwood 223

Applicators, 3M 222, 328–329

HOUSINGS

Concealed, Titus 30

Expanding, Titus 27–29

Knock-In, Titus 27

I

INSERT

Bits, Quickscrews 19, 322

INSERTION

Rams, U.S. Futaba 71

INSERTS

Drawer, Knape & Vogt 128

Spice Tray, Knape & Vogt 128

INSTALLATION

Screws, Deerwood 18

Screws, Quickscrews 17–18

INSTITUTIONAL

Hinges, Salice 102

INTERFACE

Pads, 3M 316

IRON HOLDERS

Knape & Vogt 129

IRONING

Boards, Peter Meier 168

J

JIGS

Marking, U.S. Futaba 71

JIGSAW

Blades 296

JOINERS

Biscuit, Lamello 326

Countertop, Deerwood
Fasteners 20, 323

JOINING

Plates, Lamello 21

K

KEYBOARD

Drawers, U.S. Futaba 148

Slides, U.S. Futaba 147

Trays, U.S. Futaba 148

KEYBOARD TRAYS

U.S. Futaba 140

INDEX

KEYS

U.S. Futaba 157

KIDNEY SHAPED

Lazy Susans, Knape & Vogt 121

KIDNEY-SHAPED

Lazy Susans, Knape & Vogt 122

KNAPE & VOGT

Bars, Towel 128

Baskets, Multi-Use 125

Baskets, Pantry 124

Bins, Waste 116, 120

Bins, Waste & Recycling 117–119

Brackets 169–172, 174

Dividers, Tray 126–127

Door Hardware 250–259

Drawer Slides 48

Hampers, Roll-Out 127

Hampers, Tilt-Out 127

Handles, Waste Bin 119

Hinges, Sink Front 123

Inserts, Drawer 128

Inserts, Spice Tray 128

Iron Holders 129

Lazy Susans 133

Lazy Susans, 2-Drawer 121

Lazy Susans, D-Shaped 121

Lazy Susans, Full Round 121

Lazy Susans, Half-Moon 122

Lazy Susans, Kidney-Shaped 121–122

Lazy Susans, Pie-Cut 122

Lids, Waste Bin 120

Lifts, Appliance 126

Mounts, Door 119

Organizers, Cabinet 125

Organizers, Pantry 125

Overhead Door Slides 142

Pantries 123

Racks, Storage 129

Racks, Utility 128

Recycling Centers 120

Roll-Outs, Cabinet 125

Rollouts, Pantry 124

Slide-Outs, Blind Corner 126

Slides, Drawer ... 35, 37, 40–45, 47–49,
51–52, 54, 56–57, 59–60,
63–64

Slides, Pantry 60

Standards 169–173

Trays, Sink Front 122–123

Trays, Tableware 127

KNIVES

Utility, Bessey 332

KNOB

Screws, Quickscrews 7

KNOBS

MKZ, Sugatsune 196

Round, U.S. Futaba 194

KNOCK-IN

Housings, Titus 27

L

LAMELLO

Applicators, Glue 225, 326

Bases, Glue Applicator 327

Biscuits 21

Hinges, Duplex 105

Joiners, Biscuit 326

Plates, Joining 21

Sealants, Silicone 226

LAMI LUBE

Lubricant 320

LAMINATE

Edge Finishers, Bessey 332

Shears, Practical Products 331

Trimmers, Beaver Tools 327

Trimming & Finishing Kits, Beaver
Tools 327

LATCHES

Push, U.S. Futaba 151

Touch, Sugatsune 151–152

LATCHES & CATCHES

Push System, Salice 89

LATEX

Gloves, 3M 312

LAZY SUSAN

Swivels, Triangle 141

LAZY SUSANS

2-Drawer, Knape & Vogt 121

D-Shaped, Knape & Vogt 121

Full Round, Knape & Vogt 121

Half-Moon, Knape & Vogt 122

Kidney-Shaped, Knape &
Vogt 121–122

Knape & Vogt 133

Pie-Cut, Knape & Vogt 122

LEG ASSEMBLIES

Cabinet, Titus 271

LEGS

Cabinet, Camar 271

Furniture, Peter Meier 271

Table 271

LEGS CONTINUED

Table, Camar 271

LEVELERS

Furniture, Camar 272

LID

Stays, Sugatsune 146

LIDS

Waste Bin, Knape & Vogt 120

LIFT MECHANISMS

Closet Rod, Sugatsune 168

LIFTS

Appliance, Knape & Vogt 126

TV, U.S. Futaba 136–139

LOCK

Cores, U.S. Futaba 75, 157

LOCKS

Combination, U.S. Futaba 76

Drawer, U.S. Futaba ... 73–75, 155–157

Gang, U.S. Futaba 75, 157

Rotor Hasp, U.S. Futaba 76

U.S. Futaba 72, 153

LUBRICANT

Lami Lube 320

LUBRICANTS

Aerosol 321

Air Tool, 3M 325

Bearing 320

Cutting Tool 321

Penetrating, 3M 321

M

3M

Discs, Finishing 276

MACHINE

Screws, Deerwood 6–7

MAGNETIC

Catches, U.S. Futaba 150–151

MARKING

Jigs, U.S. Futaba 71

MASKING

Tape, 3M 313

MATS

Safety, 3M 312

MEDIA STORAGE

Racks, Custom Accents 150

Trays, Titus 150

METAL

Drawer Systems, U.S. Futaba ... 69–70

INDEX

MICROFINISHING

Film, 3M.....211, 275, 277

MIRKA

Abrasive Accessories 204, 324
 Abrasive Belts..... 202
 Abrasive Discs..... 197–201, 274
 Abrasive Finishing Sheets 197
 Abrasive Sponges 203
 Backup Pads 203
 Finishing Sanders..... 204, 324
 Nonwoven Abrasives 197

MITER SAW

Blades, Amana Tool 293, 295

MKZ

Knobs, Sugatsune 196

MONITOR ARM

U.S. Futaba 140

MOULDINGS

White River 227–236

MOUNTING BRACKETS

Drawer Front, U.S. Futaba 71
 Flat Screen TV, Advanced
 Affiliates 141
 Furniture Glide, U.S. Futaba..... 273

MOUNTING PLATES

Hinge, Salice 90–94, 96

MOUNTS

Door, Knape & Vogt..... 119

MULTI-USE

Baskets, Knape & Vogt..... 125

N

NEGATIVE ANGLE

Hinges, Salice..... 82

NITRILE

Gloves, 3M 312

NONWOVEN ABRASIVES

Mirka 197

O

OPENERS

Drawer, Bainbridge
 Manufacturing 153

ORBITAL

Sanders, 3M 325

ORGANIZERS

Cabinet, Knape & Vogt..... 125

ORGANIZERS CONTINUED

Drawer, Custom Accents 149
 Pantry, Knape & Vogt 125

OVERHEAD DOOR SLIDES

Knape & Vogt..... 142

OVERLAY

Hinges, RPC 104

P

PADS

Clean Sanding, 3M 213, 317
 Conversion, 3M..... 212, 276
 Disc, 3M..... 212–213, 316
 Hand, 3M 220
 Interface, 3M..... 316

PAINT BRUSHES

Practical Products 330

PAINT PREPARATION SYSTEMS

3M 312

PAINTERS'

Tape, 3M..... 313

PANEL CLIPS

PANTRIES

Knape & Vogt..... 123

PANTRY

Baskets, Knape & Vogt..... 124
 Organizers, Knape & Vogt 125
 Rollouts, Knape & Vogt..... 124
 Slides, Knape & Vogt..... 60

PANTRY SYSTEMS

Chef, U.S. Futaba 133

PANTRY UNIT

Salice 112
 Vibo Maxi, Salice 114

PANTRY UNIT BASKETS

Salice 112
 Vibo Maxi, Salice 114

PARTICULATE

Filters, 3M 309
 Respirators, 3M 310

PENCIL

Drawers, U.S. Futaba 149

PENETRATING

Lubricants, 3M 321

PERFECT SEAM

Routing Templates..... 277

PETER MEIER

Boards, Ironing 168

PETER MEIER CONTINUED

Legs, Furniture 271

PIANO

Hinges, RPC 105

PIE-CUT

Lazy Susans, Knape & Vogt 122

PINS

Dowel, Excel 20, 323

PIPE

Clamps, Bessey 335

PIPE CLAMP

Fixtures, Bessey 335

PIVOT

Hinges, Hettich International 103

PLASTI-CUT

Files, Bessey 331

PLATES

Joining, Lamello 21

PLINTH

Clips, Titus 272

PNEUMATIC

Drills, Beaver Tools 327

POLISH

Countertop 320

POLYURETHANE REACTIVE

Adhesives, 3M 224

PRACTICAL PRODUCTS

Cleaners, Belt 220
 Paint Brushes 330
 Rollers, Edge 330
 Shears, Laminate 331

PREHEATERS

Adhesive, 3M 225, 329

PRESSURE

Clamps, Bessey 333
 Rollers, 3M 330

PROTECTIVE

Bumpers, 3M..... 67, 320

PULL DOWN MECHANISMS

Closet Rod, Sugatsune 168

PULL OUT BASE FILLER

Vibo, Salice 106

PULL OUT BASE ORGANIZER

Vibo, Salice 107

PULL OUT DRAWERS

Vibo, Salice 109

PULL-OUT

Baskets, U.S. Futaba 132
 Waste Bins, U.S. Futaba..... 131

INDEX

PULL-OUTS

- Blind Corner, Knape & Vogt 126
- Blind Corner, U.S. Futaba 132
- High, U.S. Futaba 132

PULLS

- Arch, EPCO 195
- Bar, Advanced Affiliates 195
- Bar, EPCO 195
- Drawer & Door, EPCO 195–196
- Glass Door, EPCO 196
- Wire, U.S. Futaba 194

PUSH

- Hinges, Salice 88
- Latches, U.S. Futaba 151

PUSH SYSTEM

- Latches & Catches, Salice 89

Q

QUICKSCREWS

- Bits, Insert 19, 322
- Holdings, Blt 19, 322
- Screws 5
- Screws, Assembly 14–15
- Screws, Cabinet Installation 17
- Screws, Drawer Slide 1, 3–4
- Screws, Hardware 3
- Screws, Hinge 1
- Screws, Installation 17–18
- Screws, Knob 7

R

RACKS

- Media Storage, Custom Accents 150
- Storage, Knape & Vogt 129
- Utility, Knape & Vogt 128

RADIAL BRISTLE

- Discs, 3M 220

RAILS

- Cabinet Hanging 161
- Hanging File, Custom Accents 150

RAMS

- Insertion, U.S. Futaba 71

RANDOM ORBIT

- Sanders, Gem 277, 326

RANDOM ORBITAL

- Sanders, 3M 325

RECYCLING CENTERS

- Knape & Vogt 120

REMOVERS

- Adhesive, 3M 226, 321

RESPIRATOR

- Cartridges, 3M 309

RESPIRATORS

- Halfpiece, 3M 309
- Particulate, 3M 310

ROD SUPPORTS

- Closet, U.S. Futaba 166

RODS

- Closet, U.S. Futaba 163–167

ROLLER

- Covers, 3M 329

ROLLERS

- Edge, Practical Products 330
- Extension, 3M 330
- Pressure, 3M 330

ROLL-OUT

- Hampers, Knape & Vogt 127

ROLL-OUTS

- Cabinet, Knape & Vogt 125

ROLLOUTS

- Pantry, Knape & Vogt 124

ROTARY

- Catches, Sugatsune 152

ROTOR HASP

- Locks, U.S. Futaba 76

ROUND

- Knobs, U.S. Futaba 194

ROUTER

- Bit Sets, Amana Tool 282
- Bits, Amana Tool 278–292

ROUTERS

- Air, Beaver Tools 327

ROUTING TEMPLATES

- Perfect Seam 277

RPC

- Hinges, Economy 104
- Hinges, Flush 105
- Hinges, Overlay 104
- Hinges, Piano 105

S

SAFETY

- Glasses, 3M 310
- Mats, 3M 312

SALICE

- Brackets 113
- Clips, Angle Reduction 99

SALICE CONTINUED

- Drawer Slides 113
- Fly Moon Mechanism, Vibo 111
- Fly Moon, Vibo 110
- Face Frame Hinges 94, 96
- Hinge Quick Reference 77
- Hinges 78–81
- Hinges, Blind Corner 83
- Hinges, Concealed 84–87
- Hinges, Corner 82
- Hinges, Face Frame 96
- Hinges, Institutional 102
- Hinges, Negative Angle 82
- Hinges, Pie Corner 83
- Hinges, Push 88
- Hinges, Thick Door 84
- Hinges, Wide Angle 80
- Mounting Plates, Hinge 90–94, 96
- Pantry Unit Baskets, Vibo 112
- Pantry Unit Baskets, Vibo Maxi 114
- Pantry Unit, Vibo 112
- Pantry Unit, Vibo Maxi 114
- Pull Out Base Filler, Vibo 106
- Pull Out Base Organizer, Vibo 107
- Pull Out Drawers, Vibo 109
- Push System, Latches & Catches 89
- Slides, Drawer 61–62
- Smart Corner, Vibo 108
- Smove System, Bodies 97–98
- Test Blocks, Assembly 99
- Test Blocks, Smove System 99
- Waste Bin Replacements, Vibo 115
- Waste Bins, Vibo 115

SANDERS

- Orbital, 3M 325
- Random Orbit, Gem 277, 326
- Random Orbital, 3M 325

SANDING

- Blocks, 3M 217, 317
- Sponges, 3M 219

SAW

- Blades, Amana Tool 293–295

SCHOCK

- Swivels, TV 141

SCORING

- Cutters, Bessey 331–332

SCREW

- Dowels, Titus 30

SCREWS

- Assembly, Deerwood 8–13
- Assembly, Quickscrews 14–15
- Cabinet Installation, Quickscrews 17

INDEX

SCREWS CONTINUED

Connecting, Deerwood	16
Drawer Front Adjusting, Deerwood	7
Drawer Slide, Deerwood.....	4
Drawer Slide, Quickscrews.....	1, 3-4
Hardware, Deerwood.....	2
Hardware, Quickscrews.....	3
Hinge, Deerwood.....	4
Hinge, Quickscrews.....	1
Installation, Deerwood.....	18
Installation, Quickscrews	17-18
Knob, Quickscrews.....	7
Machine, Deerwood.....	6-7
Quickscrews	5
Spiral Funnel Head, Deerwood	16
System, Titus.....	16
Trim Head, Deerwood	18

SEALANTS

Silicone.....	319
Silicone, Lamello	226

SEAMING TOOLS

Bessey.....	334
-------------	-----

SHEARS

Laminate, Practical Products.....	331
-----------------------------------	-----

SHEETS

Abrasive, 3M.....	218-219
Clean Sanding, 3M.....	207

SHELF

Brackets, U.S. Futaba	176-177
Supports, U.S. Futaba.....	178-180

SHELF SUPPORT

Sleeves, U.S. Futaba.....	179
---------------------------	-----

SILICONE

Sealants.....	319
Sealants, Lamello	226

SINK FRONT

Hinges, Knape & Vogt	123
Trays.....	130
Trays, Knape & Vogt	122-123

SKID PLATES

Cabinet, U.S. Futaba	273
----------------------------	-----

SLEEVES

Shelf Support, U.S. Futaba.....	179
---------------------------------	-----

SLIDES

Drawer, Hettich	
International ..53, 58, 65-66	
Drawer, Knape & Vogt... 35, 37, 40-45,	
47-49, 51-52, 54, 56-57,	
59-60, 63-64	
Drawer, Salice	61-62
Drawer, Sugatsune.....	41

SLIDES CONTINUED

Drawer, U.S. Futaba ..32-33, 36, 38-	
39, 46, 50, 53, 147	
Keyboard, U.S. Futaba	147

SLOTTING

Cutters, Amana Tool.....	282
--------------------------	-----

SMART CORNER

Vibo, Salice.....	108
-------------------	-----

SMOVE SYSTEM

Bodies, Salice	97-98
Test Blocks, Salice	99

SOLVENTS

Famowood.....	319
---------------	-----

SPACE BALLS

Aetna Hardware.....	31
---------------------	----

SPACERS

Drawer Slide, Bainbridge	67
--------------------------------	----

SPECIFICATIONS

Drawer System, U.S. Futaba	68
Drawer, U.S. Futaba	68

SPICE TRAY

Inserts, Knape & Vogt.....	128
----------------------------	-----

SPIRAL FUNNEL HEAD

Screws, Deerwood.....	16
-----------------------	----

SPONGES

Sanding, 3M.....	219
------------------	-----

SPRAY

Adhesives, 3M	221
---------------------	-----

SPRING

Clamps, Bessey.....	334, 336
---------------------	----------

STANDARDS

Knape & Vogt.....	169-173
-------------------	---------

STAYS

Flap Joint, Ferrari.....	101, 146
Lid, Sugatsune.....	146

STORAGE

Racks, Knape & Vogt.....	129
--------------------------	-----

STRAP

Clamps, Bessey.....	333
---------------------	-----

STRAP CLAMPS

Flooring, Bessey	336
------------------------	-----

SUGATSUNE

Catches, Rotary	152
Dampening Mechanisms	143-145
Knobs, MKZ.....	196
Latches, Touch	151-152
Lift Mechanisms, Closet Rod	168
Pull Down Mechanisms, Closet	
Rod.....	168
Slides, Drawer	41

SUGATSUNE CONTINUED

Stays, Lid	146
------------------	-----

SUPPORTS

Closet Rod, U.S. Futaba	163-165
Shelf, U.S. Futaba.....	178-180

SWIVELS

Aluminum, U.S. Futaba.....	141
Lazy Susan, Triangle	141
TV, Schock.....	141

SYSTEM

Screws, Titus	16
---------------------	----

T

TABLE

Clamps, Bessey	333
Legs	271
Legs, Camar	271

TABLEWARE

Trays, Knape & Vogt.....	127
--------------------------	-----

TACK

Cloths, 3M.....	212, 276, 319
-----------------	---------------

TAPE

Aluminum Foil, 3M	315
Box Sealing, 3M.....	314
Dispensers, 3M.....	314
Duct, 3M.....	315
Filament, 3M	314
Masking, 3M.....	313
Painters', 3M	313

TEMPLATES

Drilling, U.S. Futaba.....	71
----------------------------	----

TEST BLOCKS

Assembly, Salice.....	99
Smove System, Salice	99

TILT-OUT

Hampers, Knape & Vogt	127
-----------------------------	-----

TIMBERLINE

Bits, Drill.....	298
------------------	-----

TITE-JOINT

Fasteners, Deerwood	
Fasteners	20, 323

TITUS

Adjusters, Drawer Front	30
Blocks, Flush.....	31
Cams.....	23-24
Clips, Plinth	272
Dowels	22-24
Dowels, Double-Ended	26
Dowels, End.....	25

INDEX

TITUS CONTINUED

Dowels, Expanding.....	26
Dowels, Screw.....	30
Fixes, Top.....	272
Housings, Concealed.....	30
Housings, Expanding.....	27-29
Housings, Knock-In.....	27
Leg Assemblies, Cabinet.....	271
Screws, System.....	16
Top Fixes, Cabinet Leg.....	272
Trays, Media Storage.....	150

TOP FIXES

Cabinet Leg, Titus.....	272
-------------------------	-----

TOUCH

Latches, Sugatsune.....	151-152
-------------------------	---------

TOWEL

Bars, Knappe & Vogt.....	128
--------------------------	-----

TRACKS

Door, EPCO.....	269
-----------------	-----

TRASH

Grommets, Custom Accents.....	160
-------------------------------	-----

TRAY

Dividers.....	131
Dividers, Knappe & Vogt.....	126-127
Dividers, U.S. Futaba.....	131

TRAYS

Keyboard, U.S. Futaba.....	148
Media Storage, Titus.....	150
Sink Front.....	130
Sink Front, Knappe & Vogt.....	122-123
Tableware, Knappe & Vogt.....	127

TRIANGLE

Swivels, Lazy Susan.....	141
--------------------------	-----

TRIM18

TRIM HEAD

Screws, Deerwood.....	18
-----------------------	----

TRIMMERS

End, 3M.....	330
Laminate, Beaver Tools.....	327

TRIMMING & FINISHING KITS

Laminate, Beaver Tools.....	327
-----------------------------	-----

TV

Lifts, U.S. Futaba.....	136-139
Swivels, Schock.....	141

U

U.S. FUTABA

Baskets, Pull-Out.....	132
Bins, Waste.....	131
Bolts, Double Door.....	152

U.S. FUTABA CONTINUED

Brackets, Angle.....	180
Brackets, Shelf.....	176-177
Catches, Bead.....	153
Catches, Elbow.....	153
Catches, Magnetic.....	150-151
Cores, Lock.....	75, 157
CPU Holder.....	140
Dividers, Tray.....	131
Drawer Slides.....	55
Drawer Systems, Metal.....	69-70
Drawers, Keyboard.....	148
Drawers, Pencil.....	149
Glides, Furniture.....	273
Grommets, Wire.....	158
Jigs, Marking.....	71
Keyboard Trays.....	140
Keys.....	157
Knobs, Round.....	194
Latches, Push.....	151
Lifts, TV.....	136-139
Locks, Combination.....	76
Locks, Drawer.....	73-75, 155-157
Locks, Gang.....	75, 157
Locks, Rotor Hasp.....	76
Monitor Arm.....	140
Mounting Brackets, Drawer Front.....	71
Mounting Brackets, Furniture Glide.....	273
Pantry Systems, Chef.....	133
Pull-Outs, Blind Corner.....	132
Pull-Outs, High.....	132
Pulls, Wire.....	194
Rams, Insertion.....	71
Removable Core Systems.....	72
Rod Supports, Closet.....	166
Rods, Closet.....	163-167
Skid Plates, Cabinet.....	273
Sleeves, Shelf Support.....	179
Slides, Drawer.....	32-33, 36, 38-39, 46, 50, 53, 147
Slides, Keyboard.....	147
Specifications, Drawer.....	68
Specifications, Drawer System.....	68
Supports, Closet Rod.....	163-165
Supports, Shelf.....	178-180
Swivels, Aluminum.....	141
Templates, Drilling.....	71
Trays, Keyboard.....	148
Waste Bins, Pull-Out.....	131

UTILITY

Knives, Bessey.....	332
Racks, Knappe & Vogt.....	128

V

VIBO

Fly Moon Mechanism, Salice.....	111
Fly Moon, Salice.....	110
Pull Out Base Filler, Salice.....	106
Pull Out Base Organizer, Salice.....	107
Pull Out Drawers, Salice.....	109
Smart Corner, Salice.....	108
Waste Bin Replacements, Salice.....	115
Waste Bins, Salice.....	115

VIBO MAXI

Pantry Unit Baskets, Salice.....	114
Pantry Unit, Salice.....	114

W

WASHERS

Finish, Deerwood.....	18
-----------------------	----

WASTE

Bins, Knappe & Vogt.....	116, 120
Bins, U.S. Futaba.....	131

WASTE & RECYCLING

Bins, Knappe & Vogt.....	117-119
--------------------------	---------

WASTE BIN

Handles, Knappe & Vogt.....	119
Lids, Knappe & Vogt.....	120

WASTE BIN REPLACEMENTS

Vibo, Salice.....	115
-------------------	-----

WASTE BINS

Pull-Out, U.S. Futaba.....	131
Vibo, Salice.....	115

WHITE RIVER

Info Pages.....	227-236
-----------------	---------

WIDE ANGLE

Hinges, Salice.....	80
---------------------	----

WINE LOGIC

Info Pages.....	134-135
-----------------	---------

WIRE

Channels, Custom Accents.....	160
Grommets, Custom Accents.....	159-160
Grommets, U.S. Futaba.....	158
Pulls, U.S. Futaba.....	194

WIRE MANAGEMENT

Grommets, Bainbridge Manufacturing.....	158
---	-----

WOOD

Fillers, Famowood.....	318-319
------------------------	---------

WOODWORKING

Epoxies, 3M.....	221
------------------	-----

WORK STATION

Brackets, Advanced Affiliates.....	175
------------------------------------	-----

CONVERSION CHARTS

To Metric

From Metric

From Measurement	Multiply By	To Get	From Measurement	Multiply By	To Get
Length			Length		
Inches	2.54	Centimeters	Millimeters	0.04	Inches
Feet	30	Centimeters	Centimeters	0.4	Inches
Yards	0.91	Meters	Meters	3.3	Feet
Miles	1.6	Kilometers	Kilometers	0.62	Miles
Area			Area		
Sq. Inches	6.5	Sq. Centimeters	Sq. Centimeters	0.16	Sq. Inches
Sq. Feet	0.09	Sq. Meters	Sq. Meters	1.2	Sq. Yards
Sq. Yards	0.8	Sq. Meters	Sq. Kilometers	0.4	Sq. Miles
Sq. Miles	2.6	Sq. Kilometers	Hectares	2.47	Acres
Acres	0.4	Hectares			
Mass (Weight)			Mass (Weight)		
Ounces	28	Grams	Grams	0.035	Ounces
Pounds	0.45	Kilograms	Kilograms	2.2	Pounds
Short Tons	0.9	Metric Tons	Metric Tons	1.1	Short Tons
Volume			Volume		
Teaspoons	5	Milliliters	Milliliters	0.03	Fluid Ounces
Tablespoons	15	Milliliters	Liters	2.1	Pints
Fluid Ounces	30	Milliliters	Liters	1.06	Quarts
Cups	0.24	Liters	Liters	0.26	Gallons
Pints	0.47	Liters	Cubic Meters	35	Cubic Feet
Quarts	0.95	Liters	Cubic Meters	1.3	Cubic Yards
Gallons	3.8	Liters			
Cubic Feet	0.03	Cubic Meters			
Cubic Yards	0.76	Cubic Meters			
Temperature			Temperature		
Fahrenheit	$(5/9) \times (^\circ\text{F} - 32)$	Celsius	Celsius	$(9/5) ^\circ\text{C} + 32$	Fahrenheit

Units of Length – International Measure

Units	Inches	Feet	Yards	Miles	Centimeters	Meters
1 Inch =	1	0.08333333	0.02777778	0.00001578283	2.54	0.0254
1 Foot =	12	1	0.3333333	0.0001893939	30.48	0.3048
1 Yard =	36	3	1	0.0005681818	91.44	0.9144
1 Mile =	63,360	5280	1760	1	160,934.4	1609.344
1 Centimeter =	0.3937008	0.03280840	0.010936	0.000006213712	1	0.01
1 Meter =	39.37008	3.280840	1.093613	0.0006213712	100	1

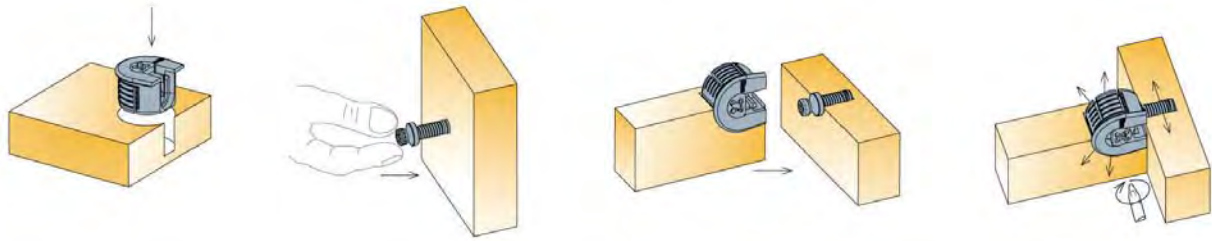
Drawer Slide Conversion

Millimeters	Approximate Inches	Slide Equivalent	Millimeters	Approximate	Slide Equivalent
250	9-7/8	10	500	19-11/16	20
270	10-5/8	11	550	21-5/8	22
300	11-13/16	12	600	22-7/16	22
350	13-3/4	14	650	25	25
400	15-3/4	16	700	27-9/16	28
450	17-3/4	18	750	29-9/16	30
470	18-1/2	19			

Titus+

System 6

Titus System 6 is ideal for use in high volume production of case goods, closet and garage storage systems. Because no edge boring is required, it is an excellent choice for manufacturing environments with limited drilling capacity.



Quickfit Dowels



- The only system with an expandable dowel
- Doesn't chip melamine panels like screw-in dowels
- Eliminates the need to use a screwdriver to install the dowel

- Quickest installation in the industry, insert with a finger into predrilled 5mm hole
- With the patented design, the dowel expands in the hole as the housing cam is rotated
- Insertion or removal will not damage the panel

Camfix



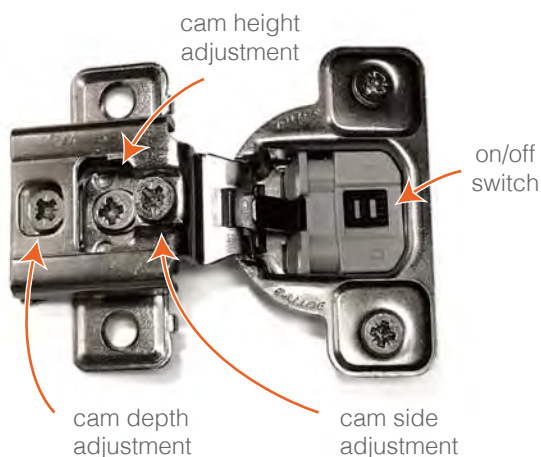
- Available in outrigger and non-outrigger, in both drop-on and side entry.
- Outrigger version ensures that the cam will not twist and remain in the optimum position
- Non-outrigger fits tightly to reduce panel shift.
- Drop on version aids in assembly by loosely holding the side panels and shelf together while the cams are tightened.

More colors available to match current melamine colors.



SALICE : Yes, we've gone soft...

Silentia **con three** : cam Adjustable Face Frame Hinges



Silentia: 100 Series in Titanium Finish



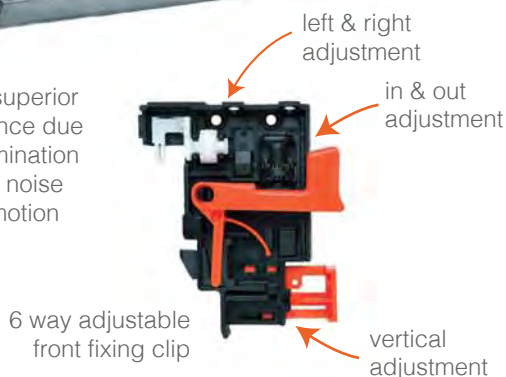
- Titanium finish is ideal for darker interiors and with exotic woods.
- Titanium plating greatly increases the corrosion resistance
- Multiple overlays & angles available
- Lifetime warranty.

* Available in nickel & titanium finishes

Futura Smove Soft Close Undermount



Offers a superior performance due to the elimination of drawer noise when in motion



Vibo Soft Close Waste Bins



CHICAGO, IL
1401 St. Charles Rd.
Maywood, IL. 60153
Tel: 708-343-1515
Fax: 708-343-1616

ROCKFORD, IL
1931 Eleventh Street
Rockford, IL 61108
Tel: 815-968-0921
Fax: 815-968-4720

INDIANAPOLIS, IN
6350 Brookville Road
Indianapolis, IN 46219
Tel: 317-353-6281
Fax: 317-356-3503

TWIN CITIES
4250 Otter Lake Road
White Bear Lake, MN 55110
Tel: 651-407-2800
Fax: 651-407-2801